



# OPERATOR'S MANUAL

## MANUEL D'UTILISATION

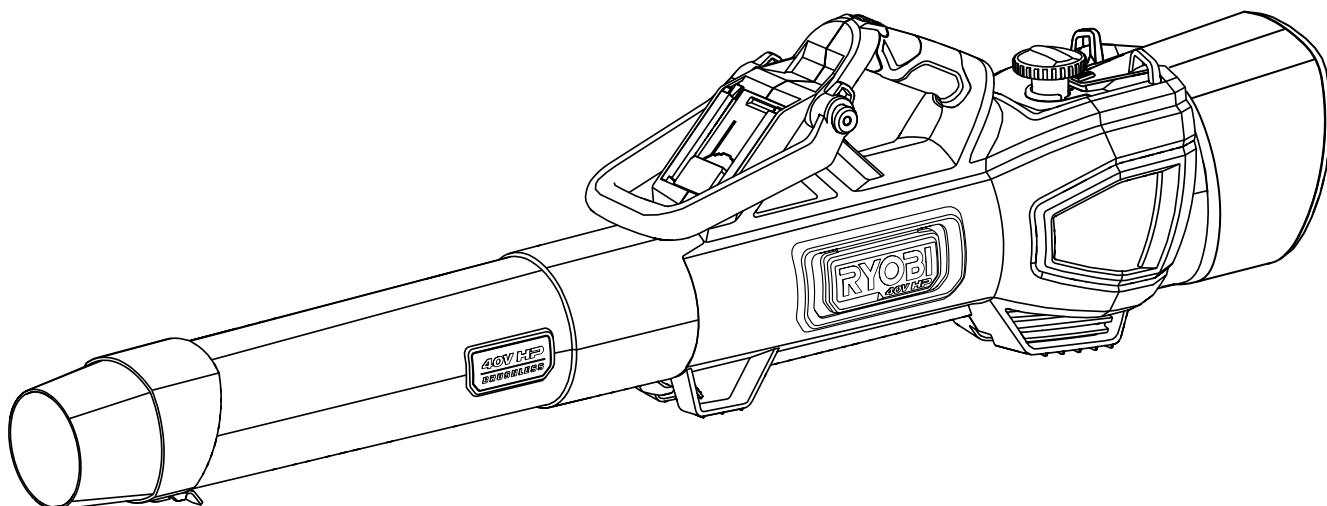
## MANUAL DEL OPERADOR

### 40 VOLT BLOWER/VACUUM

### SOUFFLANTE / ASPIRATEUR DE 40 V

### SOPLADORA/ASPIRADORA DE 40 V

RY404015



#### TABLE OF CONTENTS

- Important Safety Instructions..... 2-4
- Symbols ..... 4-5
- Features ..... 6
- Assembly ..... 6-7
- Operation ..... 8-9
- Maintenance ..... 10
- Parts Ordering/Service..... Back Page

#### TABLE DES MATIÈRES

- Instructions importantes concernant la sécurité ..... 2-4
- Symboles ..... 4-5
- Caractéristiques ..... 6
- Assemblage ..... 6-7
- Utilisation ..... 8-9
- Entretien ..... 10
- Commande de pièces/réparation..... Page arrière

#### ÍNDICE DE CONTENIDO

- Instrucciones de seguridad importantes ..... 2-4
- Símbolos ..... 4-5
- Características ..... 6
- Armado ..... 6-7
- Funcionamiento ..... 8-9
- Mantenimiento ..... 10
- Pedidos de piezas/servicio..... Pág. posterior

**⚠ WARNING:** To reduce the risk of injury, the user must read and understand the operator's manual before using this product.

**⚠ AVERTISSEMENT :** Pour réduire les risques de blessures, l'utilisateur doit lire et veiller à bien comprendre le manuel d'utilisation avant d'employer ce produit.

**⚠ ADVERTENCIA:** Para reducir el riesgo de lesiones, el usuario debe leer y comprender el manual del operador antes de usar este producto.

**SAVE THIS MANUAL FOR FUTURE REFERENCE**

**CONSERVER CE MANUEL POUR FUTURE RÉFÉRENCE**

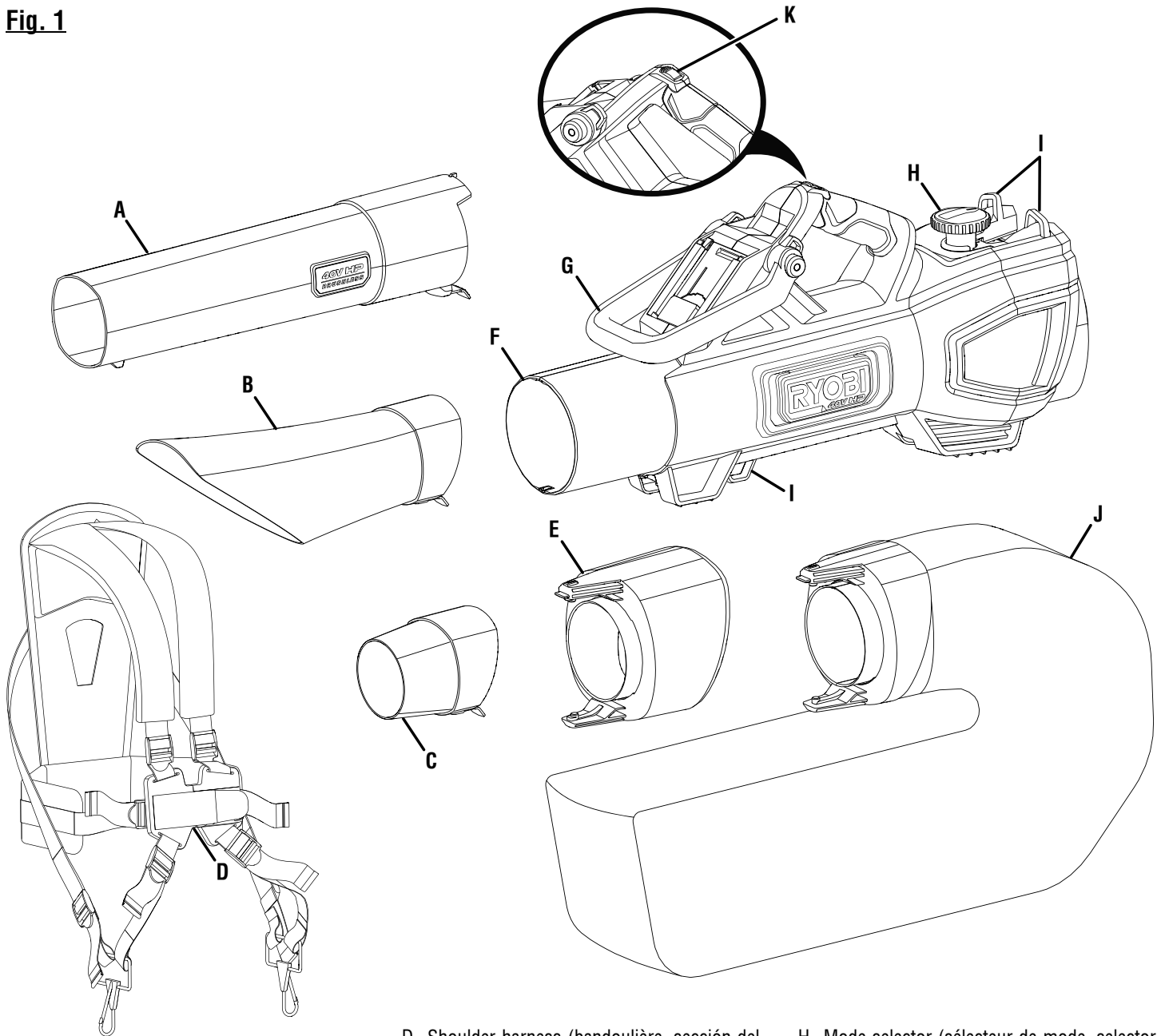
**GUARDE ESTE MANUAL PARA FUTURAS CONSULTAS**

**See this fold-out section for all of the figures referenced in the operator's manual.**

**Consulter l'encart à volets afin d'examiner toutes les figures mentionnées dans le manuel d'utilisation.**

**Consulte esta sección desplegable para ver todas las figuras a las que se hace referencia en el manual del operador.**

**Fig. 1**

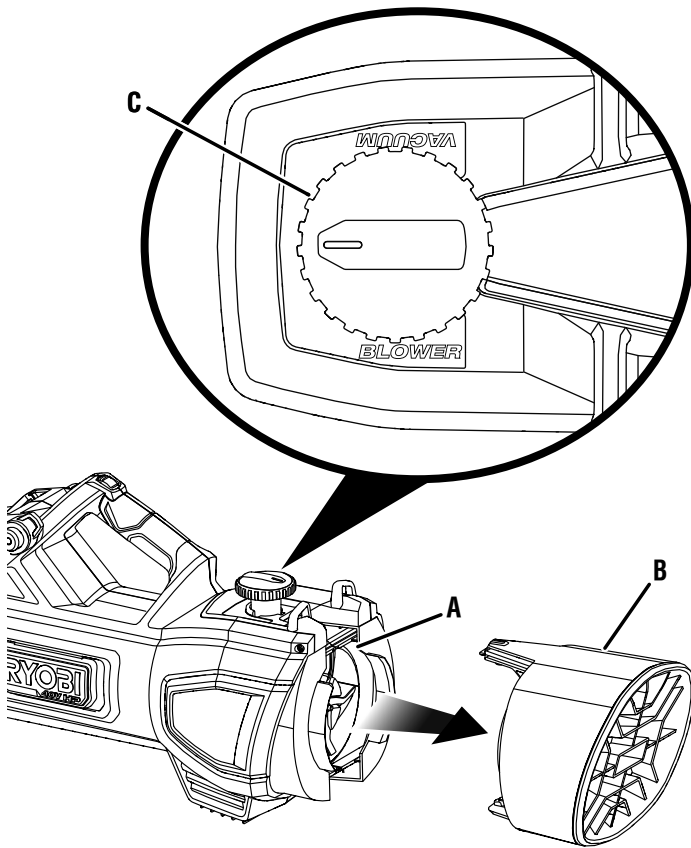


A - Lower tube (tube inférieur, tubo inferior)  
 B - Vacuum nozzle (buse de l'aspirateur, boquilla de aspiradora)  
 C - Speed tip (embout accéléré, punta de velocidad)

D - Shoulder harness (bandoulière, sección del arnés para hombros)  
 E - Blower inlet attachment (accessoire d'entrée du souffleur, accesorio de entrada de sopladora)  
 F - Upper tube (tube supérieur, tubo superior)  
 G - Adjustable handle (poignée réglable, mango ajustable)

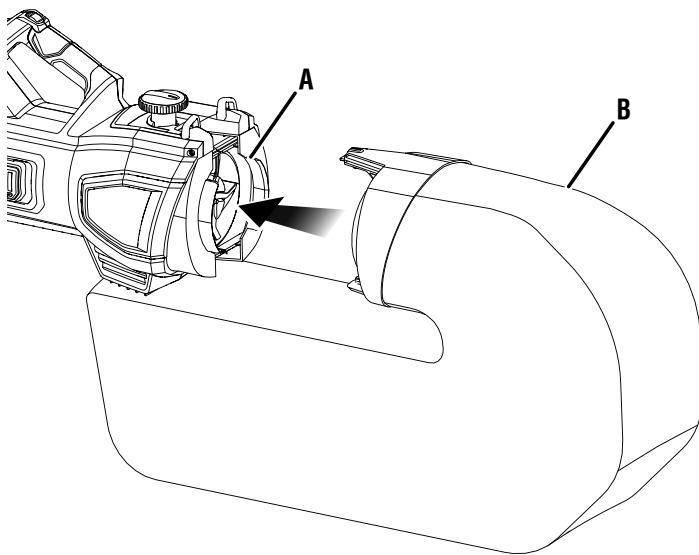
H - Mode selector (sélecteur de mode, selector de modo)  
 I - Strap hangers (dispositif d'accrochage, colgador para la correa)  
 J - Vacuum bag (sac à déchets, saco de la aspiradora)  
 K - Speed dial (commande de vitesse, selector de velocidad)

**Fig. 2**



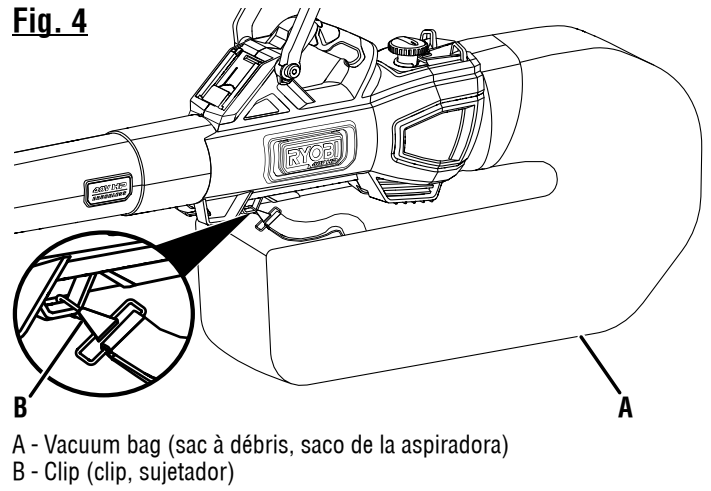
- A - Rear port (rear port, rear port)
- B - Blower inlet attachment (accessoire d'entrée du souffleur, accesorio de entrada de sopladora)
- C - Mode selector (sélecteur de mode, selector de modo)

**Fig. 3**



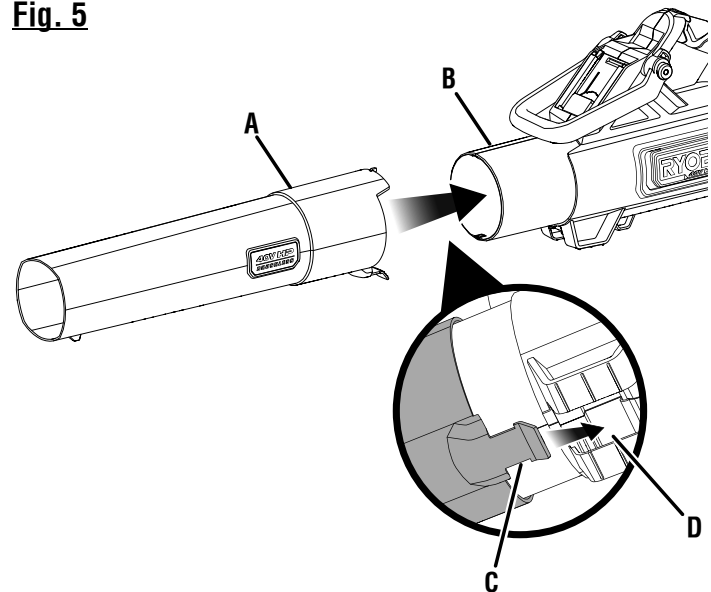
- A - Rear port (rear port, rear port)
- B - Vacuum bag (sac à déchets, saco de la aspiradora)

**Fig. 4**



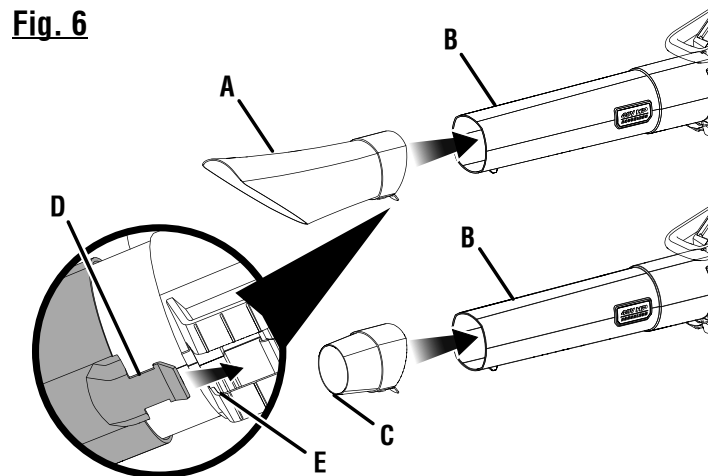
- A - Vacuum bag (sac à déchets, saco de la aspiradora)
- B - Clip (clip, sujetador)

**Fig. 5**



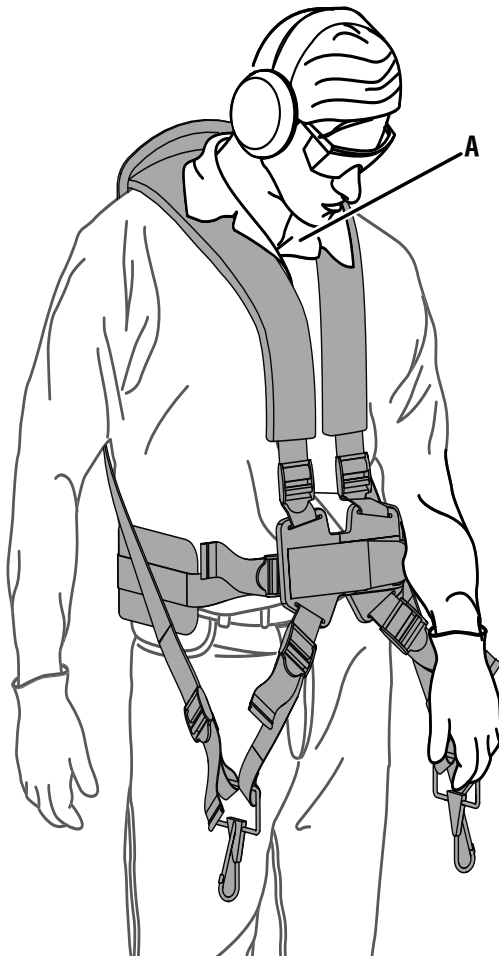
- A - Lower tube (tube inférieur, tubo inferior)
- B - Upper tube (tube supérieur, tubo superior)
- C - Tab (languette, orejeta)
- D - Notch (fente, ranura)

**Fig. 6**



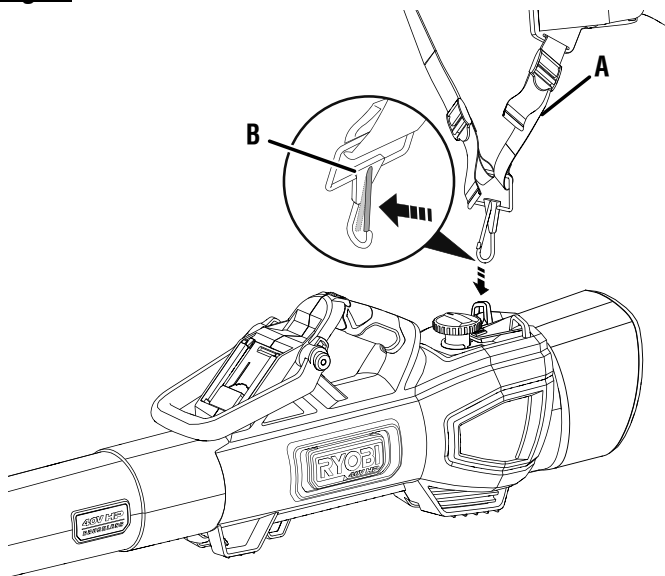
- A - Vacuum nozzle (buse de l'aspirateur, boquilla de aspiradora)
- B - Lower tube (tube inférieur, tubo inferior)
- C - Speed tip (embout accéléré, punta de velocidad)
- D - Tab (languette, orejeta)
- E - Notch (fente, ranura)

**Fig. 7**



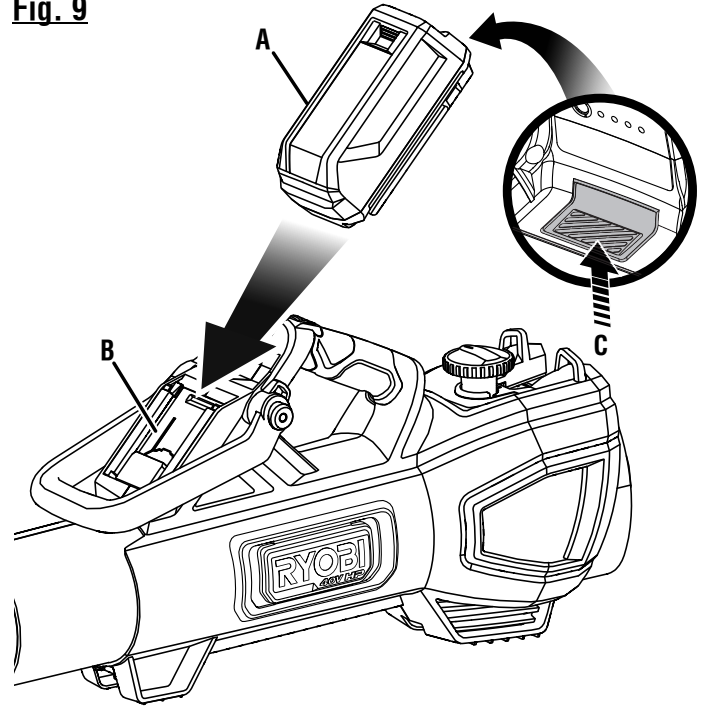
A - Shoulder harness (harnais d'épaules, arnés para hombro)

**Fig. 8**



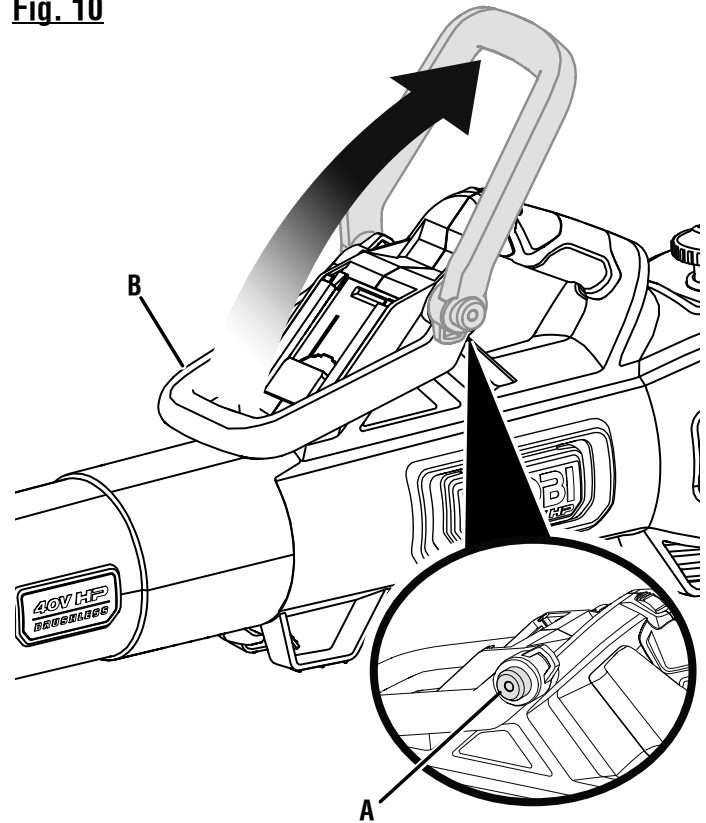
A - Shoulder harness (harnais d'épaules, arnés para hombro)  
B - Clip (clip, sujetador)

**Fig. 9**



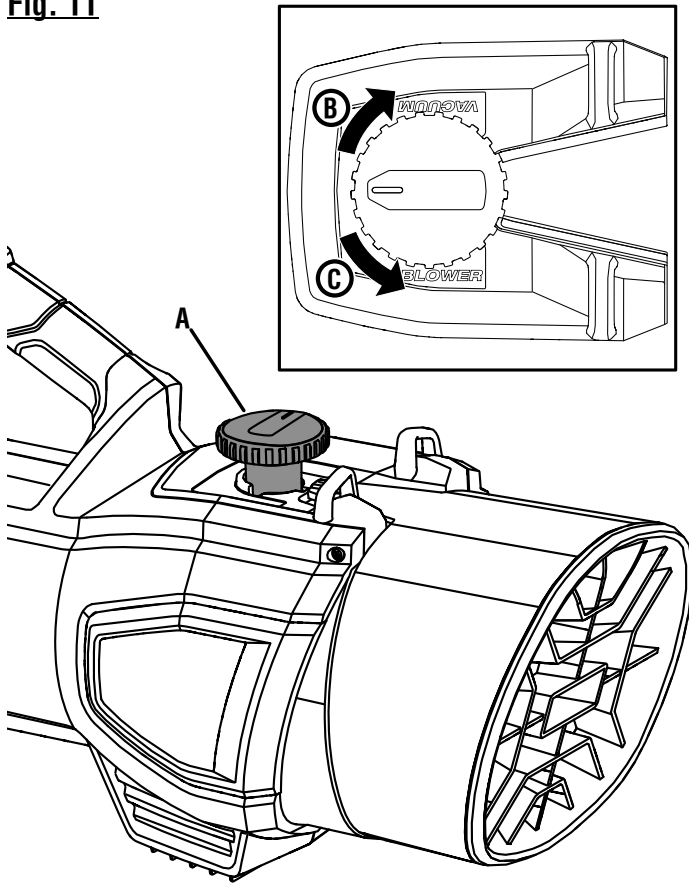
A - Battery pack (bloc-piles, paquete de baterías)  
B - Battery port (logement de batteries, receptáculo para baterías)  
C - Latch (loquet, pestillo)

**Fig. 10**



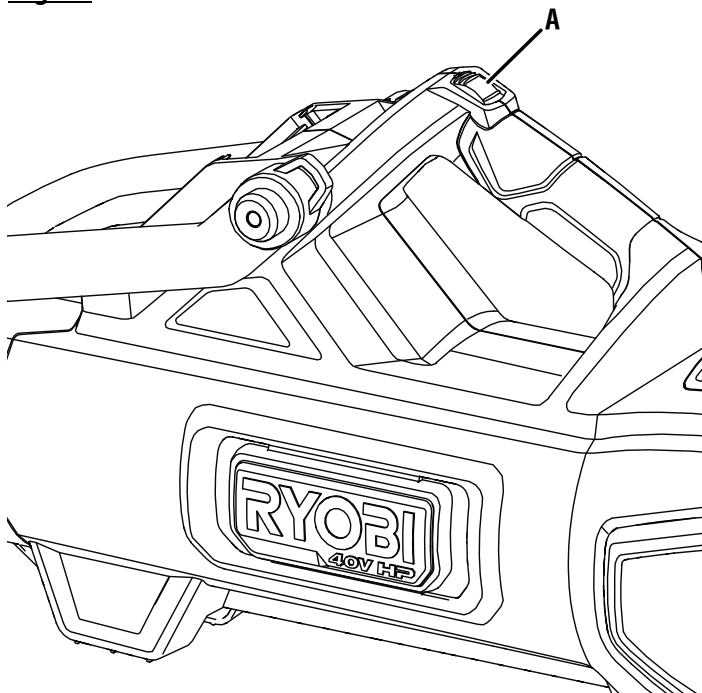
A - Pivot button (bouton de pivot, botón del pivote)  
B - Adjustable handle (poignée réglable, mango ajustable)

**Fig. 11**



- A - Mode selector (sélecteur de mode, selector de modo)
- B - Vacuum position (position aspirateur, posición de aspiradora)
- C - Blower position (position souffleur, posición de sopladora)

**Fig. 12**



- A - Speed dial (commande de vitesse, selector de velocidad)

**Fig. 13**



**PROPER BLOWER OPERATING POSITION  
POSITION D'UTILISATION ADÉQUATE DE LA SOUFFLANTE  
POSICIÓN DE FUNCIONAMIENTO CORRECTA DE LA SOPLADORA**

**Fig. 14**



**PROPER VACUUM OPERATING POSITION  
POSITION D'UTILISATION ADÉQUATE DE L'ASPIRATEUR  
POSICIÓN DE FUNCIONAMIENTO CORRECTA DE LA ASPIRADORA**

# IMPORTANT SAFETY INSTRUCTIONS

When using an electrical appliance, basic precautions should always be followed, including the following:

## **WARNING!**

**READ AND UNDERSTAND ALL INSTRUCTIONS BEFORE USING THIS BLOWER/VACUUM.** To reduce the risk of electric shock, fire and/or serious personal injury.

- **Know your blower/vacuum.** Read operator's manual carefully. Learn its applications and limitations, as well as the specific potential hazards related to this blower/vacuum. Following this rule will reduce the risk of electric shock, fire, or serious injury.
- **Do not permit children to use blower/vacuum.** It is not a toy. Close attention is necessary when used near children.
- **Use only accessories that are recommended by the manufacturer for your model described in this manual.** Accessories that may be suitable for one blower/vacuum may create a risk of injury when used on another blower/vacuum. Use only as described in this manual.
- **Do not handle charger, including charger plug, and charger terminals with wet hands.**
- **Do not put any object into openings. Do not use with any opening blocked; keep free of dust, lint, hair, and anything that may reduce air flow.**
- **Do not charge the unit outdoors.**
- **Keep hair, loose clothing, fingers, and all parts of body away from openings and moving parts.**
- **Turn off all controls before removing battery.**
- **Use extra care when cleaning on stairs or steps.**
- **Do not operate blower/vacuums in explosive atmospheres, such as in the presence of flammable liquids, gases, or dust.** Blower/vacuums create sparks which may ignite the dust or fumes.
- **Keep your work area clean and well lit.** Cluttered benches and dark areas invite accidents.
- **Keep bystanders, children, and visitors at least 50 ft. away while operating a blower/vacuum.** Distractions can cause you to lose control.
- **A battery operated blower/vacuum with integral batteries or a separate battery pack must be recharged only with the specified charger for the battery.** A charger that may be suitable for one type of battery may create a risk of fire when used with another battery.
- **Use battery operated blower/vacuum only with specifically designated battery pack.** Use of any other batteries may create a risk of fire.
- **Use this product only with batteries and chargers listed in tool/appliance/battery pack/charger correlation supplement 987000-432.**
- **Do not operate charger with a damaged cord or plug, which could cause shorting and electric shock.** If damaged, have the charger replaced by an authorized service center.
- **If appliance is not working as it should, has been dropped, damaged, left outdoors, or dropped into water, return it to a service center.**
- **Stay alert, watch what you are doing and use common sense when operating a blower/vacuum. Do not use blower/vacuum while tired, upset, or under the influence of drugs, alcohol, or medication.** A moment of inattention while operating blower/vacuums may result in serious personal injury.
- **Secure long hair above shoulder level to prevent entanglement in moving parts.**
- **Avoid accidental starting. Be sure dial is in the off position before inserting battery pack.**
- **Use safety equipment. Always wear eye protection.** Dust mask, non-skid safety shoes, hard hat, or hearing protection must be used for appropriate conditions.
- **Do not wear loose clothing or jewelry. Contain long hair.** Loose clothes, jewelry, or long hair can be drawn into air vents.
- **Do not use on a ladder, rooftop, tree, or other unstable support.** Stable footing on a solid surface enables better control of the blower/vacuum in unexpected situations.
- **Do not use blower/vacuum if dial does not turn it on or off.** A blower/vacuum that cannot be controlled with the dial is dangerous and must be repaired.
- **Disconnect battery pack from blower/vacuum or place the dial in the off position before making any adjustments, changing accessories, or storing the blower/vacuum.** Such preventive safety measures reduce the risk of starting the blower/vacuum accidentally.
- **When battery pack is not in use, keep it away from other metal objects like: paper clips, coins, keys, nails, screws, or other small metal objects that can make a connection from one terminal to another.** Shorting the battery terminals together may cause sparks, burns, or a fire.
- **Check for misalignment or binding of moving parts, breakage of parts, and any other condition that may affect the blower/vacuum's operation. If damaged, have the blower/vacuum serviced before using.** Many accidents are caused by poorly maintained blower/vacuums.

# IMPORTANT SAFETY INSTRUCTIONS

- **Keep the blower/vacuum and its handle dry, clean and free from oil and grease.** Always use a clean cloth when cleaning. Never use brake fluids, gasoline, petroleum-based products, or any strong solvents to clean your blower/vacuum. Following this rule will reduce the risk of loss of control and deterioration of the enclosure plastic.
- **Always wear safety glasses with side shields.** Everyday glasses have only impact resistant lenses. They are NOT safety glasses. Following this rule will reduce the risk of eye injury.
- **Always wear eye protection with side shields marked to comply with ANSI Z87.1 along with hearing protection when operating this equipment.**
- **Protect your lungs. Wear a face or dust mask if the operation is dusty.** Following this rule will reduce the risk of serious personal injury.
- **Protect your hearing. Wear hearing protection during extended periods of operation.** Following this rule will reduce the risk of serious personal injury.
- **Battery blower/vacuums do not have to be plugged into an electrical outlet; therefore, they are always in operating condition. Be aware of possible hazards when not using your battery powered blower/vacuum or when changing accessories.** Following this rule will reduce the risk of electric shock, fire, or serious personal injury.
- **Under abusive conditions, liquid may be ejected from the battery; avoid contact.** If contact accidentally occurs, flush with water. If liquid contacts eyes, additionally seek medical help. Liquid ejected from the battery may cause irritation or burns.
- **Do not use a battery pack or appliance that is damaged or modified.** Damaged or modified batteries may exhibit unpredictable behavior resulting in fire, explosion or risk of injury.
- **Do not expose a battery pack or appliance to fire or excessive temperature.** Exposure to fire or temperature above 265°F may cause explosion.
- **Follow all charging instructions and do not charge the battery pack or appliance outside of the temperature range specified in the instructions.** Charging improperly or at temperatures outside of the specified range may damage the battery and increase the risk of fire.
- **Do not modify or attempt to repair the appliance or the battery pack except as indicated in the instructions for use and care.**
- **Do not place battery powered blower/vacuums or their batteries near fire or heat.** This will reduce the risk of explosion and possibly injury.
- **Don't expose blower/vacuums to rain or wet conditions.** Water entering a blower/vacuum will increase the risk of electric shock.
- **Wear heavy long pants, long sleeves, boots, and gloves.** Avoid loose garments or jewelry that could get caught in moving parts of the machine or its motor.
- **Do not operate the equipment while barefoot or when wearing sandals or similar lightweight footwear.** Wear protective footwear that will protect your feet and improve your footing on slippery surfaces.
- **Keep firm footing and balance. Do not overreach.** Overreaching can result in loss of balance.
- **Check the work area before each use.** Remove all objects such as rocks, broken glass, nails, wire, or string which can be thrown or become entangled in the machine.
- **Do not point the blower nozzle in the direction of people or pets.**
- **When not in use, blower/vacuum should be stored indoors in a dry, locked up place—out of the reach of children.**
- **Do not dispose of a severely damaged or worn out battery pack or this blower/vacuum by incinerating.** The battery can explode in fire.
- Stop the motor, wait until all moving parts come to a complete stop, and disconnect from the power supply before cleaning or performing any maintenance.
- **Never use water or any liquids to clean or rinse off your product and do not expose the product to rain or wet conditions. Store indoors in a dry area.** Corrosive liquids, water, and chemicals can enter the product's electronic components and cause damage, which can result in a short circuit, increased risk of fire, and serious personal injury. Remove any buildup of dirt and debris by wiping the product clean with a dry cloth occasionally.
- **Blower/vacuum service must be performed only by qualified repair personnel.** Service or maintenance performed by unqualified personnel may result in a risk of injury.
- **When servicing a blower/vacuum, use only identical replacement parts.** Follow instructions in the Maintenance section of this manual. Use of unauthorized parts or failure to follow Maintenance Instructions may create a risk of shock or injury.
- **Never use blower/vacuum near fires, fireplaces, hot ashes, barbecue pits, etc.** Use near fires or ashes can spread fires and result in serious injury and/or property damage.




# IMPORTANT SAFETY INSTRUCTIONS

- **Never use blower/vacuum to spread chemicals, fertilizers, or any other toxic substances.** Spreading these substances could result in serious injury to the operator or bystanders.
- **Never place blower/vacuum on any surface, except a hard, clean surface when motor is running.** Gravel, sand, and other debris can be picked up by the air inlet and thrown at the operator or bystanders, causing possible serious injuries.
- **For household use only.**
- **Remove the battery pack from the tool when not in use, before servicing, and before storing the tool.** Such preventative safety measures reduce the risk of starting the tool accidentally.
- **Do not operate in poor lighting.**
- **Do not pick up flammable or combustible liquids such as gasoline or use in areas where they may be present.**
- **Do not pick up anything that is burning or smoking such as cigarette matches or hot ashes.**
- **Do not put any object into openings.** Do not use with any opening blocked; keep free of dust, lint, hair, and anything that may reduce air flow.
- **Maintain tool with care.** Keep fan area clean for best and safest performance. Follow instructions for proper maintenance.
- **Do not attempt to clear clogs from tool without first removing the battery pack.**
- **Rotating impeller blades can cause severe injury.** Remove the battery pack and make sure impeller blades have stopped rotating before installing the blower inlet attachment or vacuum bag.
- **Never run the unit without the proper equipment attached.** When used as a blower, always install the blower inlet attachment and lower tube. When used as a vacuum, always install the lower tube and vacuum bag. Make sure the vacuum bag is installed properly when the unit is running to avoid flying debris.
- **Avoid situations that could catch the vacuum bag on fire.** Do not operate near an open flame. Do not vacuum warm ash from fireplaces, barbecue pits, brush piles, etc. Do not vacuum discarded cigars or cigarettes unless the cinders are completely cool.
- **Save these instructions.** Refer to them frequently and use them to instruct others who may use this tool. If you loan someone this tool, loan them these instructions also.

## SAVE THESE INSTRUCTIONS

### SYMBOLS












The following signal words and meanings are intended to explain the levels of risk associated with this product.

SYMBOL	SIGNAL	MEANING
	<b>DANGER:</b>	Indicates a hazardous situation, which, if not avoided, will result in death or serious injury.
	<b>WARNING:</b>	Indicates a hazardous situation, which, if not avoided, could result in death or serious injury.
	<b>CAUTION:</b>	Indicates a hazardous situation, that, if not avoided, may result in minor or moderate injury.
	<b>NOTICE:</b>	(Without Safety Alert Symbol) Indicates information considered important, but not related to a potential injury (e.g. messages relating to property damage).



# SYMBOLS

Some of the following symbols may be used on this product. Please study them and learn their meaning. Proper interpretation of these symbols will allow you to operate the product better and safer.

SYMBOL	NAME	DESIGNATION/EXPLANATION
	Safety Alert	Indicates a potential personal injury hazard.
	Read Operator's Manual	To reduce the risk of injury, user must read and understand operator's manual before using this product.
	Eye and Hearing Protection	Always wear eye protection with side shields marked to comply with ANSI Z87.1 along with hearing protection when operating this equipment.
	Impeller Blades	Rotating impeller blades can cause severe injury.
	Wet Conditions Alert	Risk of fire and burns. Do not expose battery, battery compartment, or electronic components to rain, water, or liquids. Close cover during use. Do not operate on wet ground.
	Keep Bystanders Away	Keep all bystanders at least 50 ft. away.
	Long Hair	Failure to keep long hair away from the air inlet could result in personal injury.
	Blower Tube	Do not operate without tube in place.
	Loose Clothing	Failure to keep loose clothing from being drawn into air intake could result in personal injury.
	Ricochet	Thrown objects can ricochet and result in personal injury or property damage.
	Recycle Symbol	This product uses lithium-ion (Li-ion) batteries. Local, state, or federal laws may prohibit disposal of batteries in ordinary trash. Consult your local waste authority for information regarding available recycling and/or disposal options.
V	Volts	Voltage
min	Minutes	Time
≡	Direct Current	Type or a characteristic of current
$n_0$	No Load Speed	Rotational speed, at no load
.../min	Per Minute	Revolutions, strokes, surface speed, orbits etc., per minute

# FEATURES

## PRODUCT SPECIFICATIONS

Motor.....	40 Volts DC
Air Velocity	
MPH.....	100 (blower) and 80 (vacuum)
CFM.....	600 (blower) and 600 (vacuum)

## KNOW YOUR BLOWER/VACUUM

See Figure 1.

The safe use of this product requires an understanding of the information on the tool and in this operator's manual as well as a knowledge of the project you are attempting. Before use of this product, familiarize yourself with all operating features and safety rules.

## ADJUSTABLE HANDLE

The front handle assembly can be adjusted for ease of operation and to help prevent loss of control.

## BRUSHLESS MOTOR

This product features a brushless motor that maximizes power and performance as well as battery run time.

## LOWER TUBE

The lower tube can be installed on the blower/vacuum without using any tools.

## MODE SELECTOR KNOB

Use the mode selector knob to switch from blower operation to vacuum operation.

## SPEED DIAL

The speed dial allows you to quickly adjust air velocity and turn the blower/vacuum on and off.

## SPEED TIP

The speed tip increases air velocity during blower operation.

# ASSEMBLY

## UNPACKING

This product requires assembly.

- Carefully remove the product and any accessories from the box. Make sure that all items listed in the **Packing List** are included.

### **WARNING:**

Do not use this product if any parts on the **Packing List** are already assembled to your product when you unpack it. Parts on this list are not assembled to the product by the manufacturer and require customer installation. Use of a product that may have been improperly assembled could result in serious personal injury.

- Inspect the product carefully to make sure no breakage or damage occurred during shipping.
- Do not discard the packing material until you have carefully inspected and satisfactorily operated the product.
- If any parts are damaged or missing, please call 1-800-525-2579 for assistance.

## PACKING LIST

Blower/Vacuum  
Lower Tube  
Vacuum Nozzle  
Shoulder Harness  
Vacuum Bag  
Speed Tip  
Operator's Manual

### **WARNING:**

If any parts are damaged or missing do not operate this product until the parts are replaced. Use of this product with damaged or missing parts could result in serious personal injury.

### **WARNING:**

Do not attempt to modify this product or create accessories not recommended for use with this tool. Any such alteration or modification is misuse and could result in a hazardous condition leading to possible serious personal injury.

# ASSEMBLY

## **WARNING:**

To prevent accidental starting that could cause serious personal injury, always remove the battery pack from the tool when assembling parts.

### **ASSEMBLING THE TOOL**

See Figures 2 - 4.

## **WARNING:**

Contact with rotating impeller blades could result in serious personal injury. Always remove the battery pack and make sure impeller blades have stopped rotating before installing the blower inlet attachment or vacuum bag. Do not put hands or any other object into the vacuum tubes while they are installed on the unit.

This tool can be assembled for vacuum or blower operation.

#### **To assemble the tool for vacuuming:**

- Remove the battery pack.
- If applicable, lift and rotate the mode selector to the center (unlocked) position then remove the blower inlet attachment from the rear port.
- Align the tabs on the vacuum bag with the notches on the rear port and slide together.
- Lift and rotate the mode selector to the vacuum position to lock the vacuum bag in place.
- Attach the lower portion of the vacuum bag to the strap hanger on the bottom of the blower/vacuum.
- Install lower tube and vacuum nozzle as described later in this section.

#### **To assemble the tool for blowing:**

- Remove the battery pack.
- If applicable, lift and rotate the mode selector to the center (unlocked) position then remove the vacuum bag from the rear port.
- Align the tabs on the blower inlet attachment with the notches on the rear port and slide together.

- Lift and rotate the mode selector to the blower position to lock the blower inlet attachment in place.
- Install lower tube and speed tip as described later in this section.

### **INSTALLING THE LOWER TUBE**

See Figures 5 - 6.

- With the tab facing down, slide the lower tube over the upper tube on the motor housing.
- Push the lower tube on the upper tube until the tab locks into place through the notch in the motor housing.
- To remove the tube, depress the tab and slide tube off.
- **To install the speed tip or vacuum nozzle:** Align the tab on the speed tip or nozzle with the notch on the lower tube and press together until the tab locks into place.
- **To remove the speed tip or vacuum nozzle:** depress the tab and slide off the speed tip or nozzle.

## **NOTICE:**

When correctly assembled, the tube is difficult to separate. If it can easily be pulled apart, the tube is not locked. Check that the tab is aligned, and push the lower tube on to the motor housing until the tube snaps into the locked position. If the tube is not in the locked position, it can separate during operation.

### **CONNECTING AND ADJUSTING THE SHOULDER HARNESS**

See Figures 7 - 8.

The shoulder harness is recommended when vacuuming. Straps should be adjusted to a comfortable position before starting the blower/vacuum.

- Slip arm through harness strap and onto shoulder, then repeat for the other shoulder.
- Connect the waist straps and adjust for comfort.
- Adjust the shoulder straps until the harness rests comfortably against the small of the back.
- Once the harness is in a comfortable position, connect the harness to the strap hangers on the blower/vacuum.

# OPERATION

## **WARNING:**

Do not allow familiarity with products to make you careless. Remember that a careless fraction of a second is sufficient to inflict serious injury.

## **WARNING:**

Always wear eye protection with side shields marked to comply with ANSI Z87.1, along with hearing protection. Failure to do so could result in objects being thrown into your eyes resulting in possible serious injury.

## **WARNING:**

Do not use any attachments or accessories not recommended by the manufacturer of this product. The use of attachments or accessories not recommended can result in serious personal injury.

## **WARNING:**

Verify that all guards and tubes are in place prior to use. If the blower/vacuum is dropped, stop blower/vacuum and verify that no damage has occurred. If any guard, part, or tube is damaged or missing, do not use blower/vacuum until it has been repaired or replaced by a qualified service center. Use of blower/vacuum with damaged or missing guards, parts, or tubes can result in serious personal injury or further damage to the blower/vacuum.

## **NOTICE:**

Before each use, inspect the entire product for damaged, missing, or loose parts such as screws, nuts, bolts, caps, etc. Tighten securely all fasteners and caps and do not operate this product until all missing or damaged parts are replaced. Please contact customer service or an authorized service center for assistance.

## **APPLICATIONS**

You may use this product for the purposes listed below:

- Clearing leaves and other debris from your lawn
- Keeping decks and driveways free from grass clippings, leaves, pine needles, and other debris

## **INSTALLING/REMOVING BATTERY PACK**

See Figure 9.

## **WARNING:**

Always remove battery pack from your tool when you are assembling parts, making adjustments, cleaning, or when not in use. Removing battery pack will prevent accidental starting that could cause serious personal injury.

### **To install:**

- Place the battery pack in the unit. Align the raised rib on the battery pack with the groove in the unit's battery port.

## **WARNING:**

Make sure the latch on the bottom of the battery pack snaps in place and the battery pack is fully seated and secure in the unit's battery port before beginning operation. Failure to securely seat the battery pack could cause the battery pack to fall out, resulting in serious personal injury.

## **NOTICE:**

When placing battery pack in the tool, be sure raised rib on battery pack aligns with the bottom of the tool and latches into place properly. Improper installation of the battery pack can cause damage to internal components.

### **To remove:**

- Locate the latch on the bottom of the battery pack and depress to release the battery pack from the blower.

## **WARNING:**

Battery tools are always in operating condition. Therefore, switch should always be in the OFF position when not in use or carrying at your side. Remove battery pack when transporting or carrying blower to avoid accidental starting, which could result in serious injury.

For complete charging instructions, see the operator's manuals for your battery pack and charger.

# OPERATION

## ADJUSTING THE HANDLE

See Figure 10.

- Remove the battery pack.
- Place the blower/vacuum on a sturdy flat surface.
- Push pivot button and adjust handle until it snaps securely into place at one of the four detents.

## STARTING AND STOPPING THE BLOWER/VACUUM

See Figures 11 - 12.

Use the speed dial to start and stop the blower/vacuum and adjust speeds.

- Assemble the unit for blowing or vacuuming as described previously. Make sure that all parts are correctly assembled. The shoulder harness is recommended when vacuuming.
- Verify that the mode selector switch is rotated to the blower position for blowing or the vacuum position for vacuuming.
- Install the battery pack.
- Rotate the speed dial forward to start the unit at low speeds. Continue rotating the dial forward for medium and high speeds.
- Rotate the speed dial backward to decrease speeds. Continue rotating the dial backward to stop the unit.

## OPERATING THE BLOWER/VACUUM

See Figures 13 - 14.

- Assemble the unit for blowing or vacuuming as described previously. Make sure that all parts are correctly assembled.
- Verify that the mode selector switch is rotated to the blower position for blowing or the vacuum position for vacuuming.
- Slip an arm through each of the shoulder straps and place the harness on your shoulders. Secure the shoulder harness and attach it to the blower/vacuum.
- Hold the tool in the proper operating position and begin operation.
- To keep from scattering debris, blow around the outer edges of a debris pile. Never blow directly into the center of a pile.

- To reduce sound levels, limit the number of pieces of equipment used at any one time.
- Use rakes and brooms to loosen debris before blowing. In dusty conditions, slightly dampen surfaces when water is available.
- Conserve water by using power blowers/vacuums instead of hoses for many lawn and garden applications, including areas such as screens, patios, grills, porches, and gardens.
- The vacuum is designed to pick up leaves. Take care not to vacuum large twigs. Do not vacuum wet leaves.
- Watch out for children, pets, open windows, or freshly washed cars, and blow debris safely away.
- After using blowers/vacuums or other equipment, CLEAN UP! Dispose of debris properly.
- When cleaning is complete, stop the blower/vacuum and disconnect the shoulder harness.



## WARNING:

Battery tools are always in operating condition. Therefore, switch should always be in the OFF position when not in use or carrying at your side.

## EMPTYING THE LEAF COLLECTION BAG

Periodically empty the leaf collection bag for best performance and to prevent the bag from becoming too heavy.

- Remove the battery pack.
- Remove the leaf collection bag.
- Grasp the zipper pull and pull downward.
- Properly dispose of the contents.
- Close the zipper.
- Reinstall the leaf collection bag.
- Reinstall the battery pack.

## CHECKING FOR CLOGS

If the leaf vacuum seems to be losing suction, check the tubes for possible clogs or obstructions.

- Remove the battery pack.
- Release the lower tube.
- Clear any debris or leaves from the tubes and the housing area.

# MAINTENANCE

## **WARNING:**

To avoid serious personal injury, always remove the battery pack from the product when cleaning or performing any maintenance.

## **WARNING:**

Always wear eye protection with side shields marked to comply with ANSI Z87.1, along with hearing protection. Failure to do so could result in objects being thrown into your eyes resulting in possible serious injury.

## **WARNING:**

When servicing, use only identical replacement parts. Use of any other parts can create a hazard or cause product damage.

## **WARNING:**

**Never use water or any liquids to clean or rinse off your product and do not expose the product to rain or wet conditions. Store indoors in a dry area.** Corrosive liquids, water, and chemicals can enter the product's electronic components and/or battery compartment and damage electronic components and/or the battery pack, which can result in a short circuit, increased risk of fire, and serious personal injury. Remove any buildup of dirt and debris by wiping the product clean with a dry cloth occasionally.

## **NOTICE :**

Periodically inspect the entire product for damaged, missing, or loose parts such as screws, nuts, bolts, caps, etc. Tighten securely all fasteners and caps and do not operate this product until all missing or damaged parts are replaced. Please contact customer service or an authorized service center for assistance.

## **GENERAL MAINTENANCE**

Avoid using solvents when cleaning plastic parts. Most plastics are susceptible to damage from various types of commercial solvents and may be damaged by their use. Use clean cloths to remove dirt, dust, oil, grease, etc.

## **WARNING:**

Do not at any time let brake fluids, gasoline, petroleum-based products, penetrating oils, etc., come in contact with plastic parts. Chemicals can damage, weaken or destroy plastic which can result in serious personal injury.

## **STORAGE**

- Remove the battery and store in a safe, dry place out of the reach of children.
- Clean all foreign material from the blower/vacuum.
- Store indoors in a secure place that is inaccessible to children. Keep away from corrosive agents such as garden chemicals and de-icing salts.

**This product has a Five-year Limited Warranty for personal, family, or household use (90 days for business or commercial use). For warranty details, visit [www.ryobitools.com](http://www.ryobitools.com) or call (toll free) 1-800-525-2579.**



# RÈGLES DE SÉCURITÉ IMPORTANTES

En utilisant un appareil électrique, précautions fondamentales toujours devraient être suivies, y compris le suivre :

## **AVERTISSEMENT !**

**LIRE ET COMPRENDRE TOUTES LES INSTRUCTIONS AVANT D'UTILISER CETTE SOUFFLANTE / ASPIRATEUR.**

Pour réduire le risque de décharge électrique, et/ou de feu blessure personnelle sérieuse.

- **Apprendre à connaître l'outil. Lire attentivement le manuel d'utilisation. Apprendre les applications et les limites de l'outil, ainsi que les risques spécifiques relatifs à son utilisation.** Le respect de cette consigne réduira les risques d'incendie, de choc électrique et de blessures graves.
- **Interdire l'utilisation du soufflante / aspirateur aux enfants.** Ce n'est pas un jouet. Une surveillance étroite est impérative lorsqu'il est utilisé à proximité d'enfants.
- **Utiliser exclusivement les accessoires recommandés par le fabricant pour le modèle d'outil concerné décrit dans ce manuel.** Des accessoires appropriés pour un outil peuvent être dangereux s'ils sont utilisés avec un autre. Utiliser exclusivement selon les instructions de ce manuel.
- **Ne pas manipuler le chargeur, la fiche du chargeur et les bornes du chargeur avec des mains humides.**
- **Ne pas insérer d'objet dans les ouvertures. Ne pas utiliser si une ouverture est bloquée ; veiller à ce que les ouvertures ne soient jamais obstruées par de la poussière, de la peluche, des cheveux ou quoi que ce soit risquant de réduire le flux d'air.**
- **Ne pas charger l'appareil à l'extérieur.**
- **Garder les cheveux, les vêtements amples, les doigts et toute autre partie du corps à l'écart des ouvertures et pièces en mouvement.**
- **Désactiver toutes les commandes avant de retirer la pile.**
- **Faire preuve d'une grande prudence lors du nettoyage des escaliers et des marches.**
- **Ne pas utiliser d'outils dans des atmosphères explosives, en présence de liquides, de gaz ou de poussières inflammables par exemple.** Les outils motorisés produisent des étincelles qui risquent d'enflammer les poussières ou les vapeurs.
- **Garder le lieu de travail propre et bien éclairé.** Les établis encombrés et les endroits sombres sont propices aux accidents.
- **Éloigner les badauds, enfants et visiteurs à une distance d'au moins 15 m (50 pi) pendant l'utilisation d'un outil motorisé.** Les distractions peuvent causer une perte de contrôle.
- **Les piles d'outils motorisés, qu'elles soient intégrées ou amovibles, ne doivent être rechargées qu'avec le chargeur spécifié.** Un chargeur approprié pour un type de pile peut créer un risque d'incendie s'il est utilisé avec un autre type de pile.
- **Utiliser exclusivement le bloc de pile spécifiquement indiqué pour l'outil.** L'utilisation de toute autre pile peut créer un risque d'incendie.
- **Utiliser ce produit seulement avec les piles et les chargeurs indiqués dans le supplément de raccordement pour chargeur/outils/piles/appareil n° 987000-432.**
- **Ne pas utiliser une chargeur dont la prise ou le cordon sont endommagés au risque de causer un court-circuit et un choc électrique.** Le cas échéant, faire remplacer la prise ou le cordon immédiatement par un centre de réparations agréé.
- **Si l'appareil ne fonctionne pas correctement, s'il a été échappé, s'il est endommagé, s'il a été laissé à l'extérieur ou s'il est tombé dans l'eau, retourner le produit au centre de réparations.**
- **Rester attentif, prêter attention au travail et faire preuve de bon sens lors de l'utilisation de tout outil motorisé. Ne pas utiliser cet outil en état de fatigue, vexé ou sous l'influence d'alcool, de drogues ou de médicaments.** Un moment d'inattention pendant l'utilisation d'un outil motorisé peut causer des blessures graves.
- **Attacher les cheveux longs pour les maintenir au-dessus des épaules, afin qu'ils ne se prennent pas dans les pièces en mouvement.**
- **Éviter les démarrages accidentels. S'assurer que la commande est verrouillée en position d'arrêt avant d'insérer le bloc-piles.**
- **Utiliser un équipement de sécurité. Toujours porter des lunettes de protection.** Suivant les conditions, le port d'un masque filtrant, de chaussures de sécurité, d'un casque ou d'une protection auditive est recommandé.
- **Ne porter ni vêtements amples, ni bijoux. Attacher ou couvrir les cheveux longs.** Les vêtements amples, les bijoux et les cheveux longs peuvent se prendre dans les ouïes d'aération.
- **Ne pas utiliser sur une échelle, le dessus de toit, l'arbre ou un support instable.** Une position stable sur une surface ferme permet de mieux contrôler l'outil en cas de situation imprévue.
- **Ne pas utiliser l'outil si la commande ne permet pas de le mettre en marche ou de l'arrêter.** Un outil qui ne peut pas être contrôlé par sa commande est dangereux et doit être réparé.
- **Déconnecter le bloc-piles et mettre la commande sur arrêt ou sur verrouillage avant d'effectuer des réglages, de changer d'accessoire ou de remiser l'outil.** Ces mesures de sécurité réduisent les risques de démarrage accidentel de l'outil.
- **Lorsque le bloc-piles n'est pas utilisé, le tenir à l'écart d'objets métalliques tels que : les attaches trombones, les pièces de monnaie, les clous, les vis et les autres petits objets métalliques risquant d'établir le contact entre les deux bornes.** La mise en court-circuit des bornes de piles peut causer des étincelles, des brûlures ou un incendie.
- **Vérifier qu'aucune pièce mobile n'est mal alignée ou bloquée, qu'aucune pièce n'est brisée et s'assurer**



# RÈGLES DE SÉCURITÉ IMPORTANTES

qu'aucun autre problème ne risque d'affecter le bon fonctionnement de l'outil. En cas de dommages, faire réparer l'outil avant de l'utiliser de nouveau. Beaucoup d'accidents sont causés par des outils mal entretenus.

- **Garder l'outil et sa poignée secs, propres et exempts d'huile ou de graisse.** Toujours utiliser un chiffon propre pour le nettoyage. Ne jamais nettoyer l'outil avec du liquide de frein, de l'essence, des produits à base de pétrole ou des solvants puissants. Le respect de cette règle réduira les risques de perte du contrôle et de dommage du boîtier en plastique.
- **Toujours porter des lunettes de sécurité avec écrans latéraux.** Les lunettes de vue ordinaires sont munies seulement de verres résistants aux impacts. Ce ne sont PAS des lunettes de sécurité. Le respect de cette règle réduira les risques de choc électrique.
- **Porter une protection oculaire avec écrans latéraux certifiée conforme à la norme ANSI Z87.1 lors de l'utilisation de ce produit.**
- **Protection respiratoire. Porter un masque facial ou un masque anti-poussière si le travail produit de la poussière.** Le respect de cette consigne réduira les risques de blessures graves.
- **Protection auditive. Porter une protection auditive lors de l'utilisation prolongée.** Le respect de cette règle réduira les risques de blessures graves.
- **Les outils fonctionnant sur piles n'ayant pas besoin d'être branchés sur une prise secteur, ils sont toujours en état de fonctionnement. Tenir compte des dangers possibles lorsque l'outil n'est pas en usage et lors du remplacement des piles.** Le respect de cette consigne réduira les risques d'incendie, de choc électrique et de blessures graves.
- **En cas d'usage abusif, du liquide peut s'échapper des batteries. Éviter tout contact avec ce liquide.** En cas de contact accidentel, rincer immédiatement les parties atteintes avec de l'eau. Si le liquide pénètre dans vos yeux, il faut aussi consulter un médecin. Le liquide s'échappant des batteries peut causer des irritations ou des brûlures.
- **Ne pas utiliser un bloc-piles ou un appareil endommagé ou modifié.** Le bris ou la modification du bloc-piles peut causer un comportement imprévisible et causer un incendie, une explosion ou des blessures.
- **Ne pas exposer le bloc-piles ou l'outil à un feu ou à des températures excessives.** Une exposition à un incendie ou à une température supérieure à 130 °C (265 °F) peut provoquer une explosion.
- **Suivre toutes les instructions afférentes à la recharge et ne pas recharger le bloc-piles ou l'appareil hors des températures spécifiées dans les instructions.** Une recharge incorrecte ou hors des températures spécifiées peut endommager la pile et augmenter les risques de feu.
- **Ne modifiez pas ou n'essayez jamais de réparer l'appareil ou le bloc de batterie, sauf comme indiqué dans les instructions d'utilisation et d'entretien.**
- **Ne pas placer les outils motorisés sans fil ou leurs piles à proximité de flammes ou d'une source de chaleur.** Ceci réduira les risques d'explosion et de blessures.
- **Ne pas exposer les outils motorisés à la pluie ou l'humidité.** La pénétration d'eau dans ces outils accroît le risque de choc électrique.
- **Porter des pantalons longs, des bottes et des gants.** Éviter de porter des vêtements lâches ou des bijoux qui pourraient être pris dans les pièces en mouvement de la machine ou le moteur.
- **Ne pas faire fonctionner l'équipement pied nus ou en portant des sandales ou des chaussures légères similaires.** Porter des chaussures de protection qui protègent les pieds et améliorent l'équilibre sur des surfaces glissantes.
- **Se tenir bien campé et en équilibre. Ne pas travailler hors de portée de l'outil.** Cette façon de travailler pourrait vous faire perdre l'équilibre. Faire preuve de prudence pour éviter de glisser ou tomber.
- **Examiner la zone de travail avant chaque utilisation.** La débarrasser de tous les objets tels que cailloux, verre brisé, clous, fils métalliques, cordes, etc. risquant d'être projetés ou de se prendre dans la machine.
- **Ne pas diriger la soufflante / aspirateur vers des personnes ou un animal.**
- **Lorsqu'il n'est pas utilisé, l'outil doit être rangé à l'intérieur dans un endroit sec et sous verrou, hors de la portée des enfants.**
- **Ne pas jeter de bloc-piles gravement endommagé ou usé et ce soufflante / aspirateur dans un feu. La pile incendiée peut exploser.**
- Arrêter le moteur, attendre que toutes les pièces en mouvement cessent de bouger et retirer le bloc-piles avant tout nettoyage ou entretien.
- **Ne jamais utiliser de l'eau ou une autre liquide pour nettoyer ou rincer la produit et n'exposez pas à la pluie ou conditions l'humidité. La remise à l'intérieur dans un endroit sec.** Les liquides corrosifs, l'eau et les produits chimiques peuvent s'infiltrer dans le composants électroniques et/ou le compartiment de la pile et endommager les composants électroniques et/ou le bloc-pile, ce qui peut entraîner un court-circuit, augmenter le risque d'incendie ou des blessures corporelles graves. Enlever toute accumulation de la saleté et les débris sur la produit de temps en temps avec un linge sec.
- **Le service d'outil doit être seulement exécuté par le personnel de réparation qualifié.** Entretien ou l'entretien exécuté par le personnel incompetent peut avoir pour résultat un risque de blessure.
- **En entretenant un outil, un usage un remplacement seulement identique sépare.** Suivre des instructions dans la section d'Entretien de ce manuel. L'usage de parties ou l'échec inautorisées pour suivre les Instructions d'Entretien peuvent créer un risque de choc ou de blessure.




# RÈGLES DE SÉCURITÉ IMPORTANTES

- **Ne jamais utiliser la soufflante / aspirateur à proximité de flammes, d'un foyer, de cendres chaudes, d'un grill, etc.** Ne pas respecter cette directive peut faire en sorte que les flammes se propagent, ce qui peut causer des blessures ou des dommages à la propriété.
- **Ne jamais utiliser la soufflante / aspirateur pour répandre des produits chimiques, des fertilisants ou toute autre substance toxique.** Le fait de répandre ces substances peut faire en sorte d'infliger des blessures à l'utilisateur ou à des tierces personnes.
- **Ne jamais placer la soufflante / aspirateur en marche sur une surface, sauf si celle-ci est dure et propre.** Le gravier, le sable et les autres débris peuvent être aspirés dans l'entrée d'air et projetés en direction de l'utilisateur ou des personnes à proximité, ce qui peut entraîner des blessures graves.
- **Pour usage domestique seulement.**
- **Retirer le bloc-piles de l'outil lorsqu'on ne l'utilise pas, avant d'effectuer son entretien ou avant de le ranger.** Ces mesures de sécurité réduisent les risques de démarrage accidentel de l'outil.
- **Ne pas travailler sous un éclairage insuffisant.**
- **Ne pas utiliser l'outil pour aspirer des liquides inflammables ou combustibles tels que l'essence, ni dans des environnements où ils se trouveraient.**
- **Ne pas aspirer d'éléments qui brûlent ou qui fument comme des cigarettes, des allumettes ou des cendres chaudes.**
- **Ne placer aucun objet dans les ouvertures.** Ne pas utiliser le produit si l'une ou l'autre des ouvertures est obstruée.
- Enlever toute la poussière, toutes les peluche et tous les cheveux, ou tout autre élément pouvant réduire la circulation de l'air.
- **Entretien soigneusement les outils.** Veiller à ce que la zone du ventilateur reste propre pour assurer la meilleure performance et la plus sécuritaire. Suivre les directives de l'outil en matière d'entretien adéquat.
- **Retirer le bloc-piles de l'outil avant d'essayer de dégager les obstructions.**
- **Les pales en rotation peuvent causer des blessures graves.** Retirer le bloc-piles et s'assurer que les pales de la turbine ont arrêté de tourner avant d'installer l'accessoire d'entrée du souffleur ou le sac à débris.
- **Ne jamais utiliser la soufflante sans les accessoires appropriés installés.** Lorsqu'on utilise l'outil comme souffleur, installer toujours l'accessoire d'entrée du souffleur et le tube inférieur. Lorsqu'on utilise l'outil comme aspirateur, installer toujours le tube inférieur et le sac à débris. S'assurer que le sac à débris est installé de manière adéquate lorsque l'unité fonctionne pour éviter que des débris soient projetés.
- **Éviter les situations pouvant mettre le feu au sac.** Ne pas utiliser la machine à proximité de flammes vives. Ne pas aspirer les cendres chaudes de cheminées, barbecues, feux de bois, etc. Ne pas aspirer de mégots de cigares ou cigarettes dont les cendres ne sont pas complètement froides.
- **Conserver ces instructions.** Les consulter fréquemment et les utiliser pour instruire les autres utilisateurs éventuels. Si cet outil est prêté, il doit être accompagné de ces instructions.

## CONSERVER CES INSTRUCTIONS













### SYMBOLES

Les termes de mise en garde suivants et leur signification ont pour but d'expliquer le degré de risques associé à l'utilisation de ce produit.

SYMBOLE	SIGNAL	SIGNIFICATION
	<b>DANGER :</b>	Indique une situation dangereuse qui, si elle n'est pas évitée, aura pour conséquences des blessures graves ou mortelles.
	<b>AVERTISSEMENT :</b>	Indique une situation dangereuse qui, si elle n'est pas évitée, pourrait entraîner des blessures graves ou mortelles.
	<b>ATTENTION :</b>	Indique une situation dangereuse qui, si elle n'est pas évitée, pourrait entraîner des blessures légères ou de gravité modérée.
	<b>AVIS :</b>	(Sans symbole d'alerte de sécurité) Indique les informations jugées importantes sans toutefois représenter un risque de blessure (ex. : messages concernant les dommages matériels).

# SYMBOLES

Certains des symboles ci-dessous peuvent être utilisés sur produit. Veiller à les étudier et à apprendre leur signification. Une interprétation correcte de ces symboles permettra d'utiliser produit plus efficacement et de réduire les risques.

SYMBOLE	NOM	DÉSIGNATION / EXPLICATION
	Symbole d'alerte de sécurité	Indique un risque de blessure potentiel.
	Lire le manuel d'utilisation	Pour réduire les risques de blessures, l'utilisateur doit lire et veiller à bien comprendre le manuel d'utilisation avant d'utiliser ce produit.
	Protection oculaire et auditive	Toujours porter une protection oculaire avec écrans latéraux certifiée conforme à la norme ANSI Z87.1 ainsi qu'un protection auditive.
	Pales de ventilateur	Les pales de ventilateur en rotation peuvent causer des blessures graves
	Avertissement concernant l'humidité	Risque d'incendie et de brûlures. Ne pas exposer la pile, le compartiment de la pile, ou les composants électroniques à la pluie, l'eau ou d'autres liquides. Fermer le couvercle pendant l'utilisation. Ne pas opérer sur un sol humide.
	Ne laisser personne s'approcher	Garder les badauds à une distance de 15 m (50 pi) minimum.
	Cheveux longs	Ne pas garder les cheveux longs à l'écart de l'entrée d'air peut entraîner des blessures.
	Tube de soufflante	Ne pas utiliser sans le tube en place.
	Vêtements amples	Ne pas garder les vêtements amples à l'écart de l'entrée d'air peut entraîner des blessures.
	Ricochet	Les objets projetés peuvent ricocher et infliger des blessures ou causer des dommages matériels.
	Symbole de recyclage	Ce produit utilise les piles de lithium-ion (Li-ion). Les réglementations locales ou gouvernementales peuvent interdire de jeter les piles dans les ordures ménagères. Consulter les autorités locales compétentes pour les options de recyclage et/ou l'élimination.
V	Volts	Tension
min	Minutes	Temps
	Courant continu	Type ou caractéristique du courant
$n_0$	Vitesse à vide	Vitesse de rotation à vide
.../min	Par minute	Tours, coups, vitesse périphérique, orbites, etc., par minute

# CARACTÉRISTIQUES

## FICHE TECHNIQUE

Moteur .....	40 V c.c.
Vitesse d'air	
M/H .....	100 (soufflante) et 80 (aspirateur)
Pi3/min .....	600 (soufflante) et 600 (aspirateur)

## APPRENDRE À CONNAÎTRE LA SOUFFLANTE / ASPIRATEUR

Voir la figure 1.

La sécurité d'utilisation de ce produit exige la compréhension des informations apposées sur l'outil et contenues dans ce manuel d'utilisation, ainsi que la connaissance du travail à exécuter. Avant d'utiliser ce produit, se familiariser avec toutes ses fonctions et règles de sécurité.

## POIGNÉE RÉGLABLE

L'ensemble poignée avant peut être réglé pour faciliter l'utilisation et prévenir les pertes de contrôle.

## MOTEUR SANS BALAI

Ce produit est équipé d'un moteur sans balai afin de livrer une puissance et une performance optimales et maximiser la durée de vie de la pile.

## TUBE INFÉRIEUR

La tube inférieur de la soufflante / aspirateur s'installe facilement sur la soufflante sans outils.

## BOUTON DE SÉLECTION DE MODE

Utiliser le bouton de sélection de mode pour passer du fonctionnement du souffleur au fonctionnement de l'aspirateur.

## COMMANDE DE VITESSE

La commande de vitesse permet de régler rapidement la vitesse de l'air, en plus de mettre en marche et d'éteindre le souffleur/l'aspirateur.

## EMBOUT ACCÉLÉRÉ

L'embout accéléré augmente la vitesse de l'air pendant le fonctionnement de la soufflante.

# ASSEMBLAGE

## DÉBALLAGE

Ce produit nécessite l'assemblage.

- Avec précaution, sortir le produit et les accessoires de la boîte. S'assurer que toutes les pièces figurant sur la **Liste de contrôle d'expédition** sont incluses.

## AVERTISSEMENT :

Ne pas utiliser le produit si, en le déballant, vous constatez que des éléments figurant dans la **Liste de contrôle d'expédition** sont déjà assemblés. Certaines pièces figurant sur cette liste n'ont pas été assemblées par le fabricant et exigent une installation. Le fait d'utiliser un produit qui a été assemblé de façon inadéquate peut entraîner des blessures.

- Examiner soigneusement le produit pour s'assurer que rien n'a été brisé ou endommagé en cours de transport.
- Ne pas jeter les matériaux d'emballage avant d'avoir soigneusement examiné l'outil et avoir vérifié qu'il fonctionne correctement.
- Si des pièces sont manquantes ou endommagées, appeler le 1-800-525-2579.

## LISTE DE CONTRÔLE D'EXPÉDITION

Soufflante / aspirateur  
Tube inférieur  
Buse de l'aspirateur  
Bandoulière  
Sac à débris  
Embout accéléré  
Manuel d'utilisation

## AVERTISSEMENT :

Si des pièces manquent ou sont endommagées, ne pas utiliser ce produit avant qu'elles aient été remplacées. Le fait d'utiliser ce produit même s'il contient des pièces endommagées ou s'il lui manque des pièces peut entraîner des blessures graves.

## AVERTISSEMENT :

Ne pas essayer de modifier cet outil ou de créer des accessoires non recommandés pour l'outil. De telles altérations ou modifications sont considérées comme un usage abusif et peuvent créer des conditions dangereuses, risquant d'entraîner des blessures graves.

# ASSEMBLAGE

## **⚠ AVERTISSEMENT :**

Pour empêcher un démarrage accidentel pouvant entraîner des blessures graves, toujours retirer le bloc de pile de l'outil avant d'assembler des pièces.

## **⚠ AVERTISSEMENT :**

Ce produit est conçu pour souffler seulement et non pour aspirer. Ne pas tenter de retirer le raccord réducteur recouvrant l'impulseur. Le retrait du raccord réducteur exposera l'impulseur en mouvement et son contact avec les lames et représente un risque de blessures graves.

### **ASSEMBLAGE DE L'OUTIL**

*Voir les figures 2 et 4.*

## **⚠ AVERTISSEMENT :**

Un contact avec les pales de la turbine lorsqu'elles sont en mouvement peut causer des blessures graves. Toujours retirer le bloc-piles et s'assurer que les pales de la turbine ont arrêté de tourner avant d'installer l'accessoire d'entrée du souffleur ou le sac à déchets. Ne pas mettre les mains ou d'autres objets dans les tubes d'aspiration au moment de les installer sur l'appareil.

Cet outil peut être assemblé pour être utilisé en tant qu'aspirateur ou souffleur.

#### **Pour assembler l'outil en tant qu'aspirateur :**

- Retirer le bloc-piles.
- Le cas échéant, appuyer sur le sélecteur de mode et le faire tourner vers la position du centre (déverrouillée), puis retirer l'accessoire d'entrée du souffleur du port arrière.
- Aligner les languettes du sac à déchets avec les encoches du port arrière et les faire glisser ensemble.
- Appuyer sur le sélecteur de mode et le faire tourner en position aspirateur pour verrouiller le sac à déchets en place.
- Fixer la partie inférieure du sac à déchets au dispositif d'accrochage qui se trouve au bas du souffleur/de l'aspirateur.
- Installer le tube inférieur et la buse de l'aspirateur, comme décrit plus loin dans cette section.

#### **Pour assembler l'outil en tant que souffleur :**

- Retirer le bloc-piles.
- Le cas échéant, appuyer sur le sélecteur de mode et le faire tourner vers la position du centre (déverrouillée), puis retirer l'accessoire d'entrée du souffleur du port arrière.

- Aligner les languettes de l'accessoire d'entrée du souffleur avec les encoches du port arrière et les faire glisser ensemble.
- Appuyer sur le sélecteur de mode et le faire tourner en position souffleur pour verrouiller l'accessoire d'entrée du souffleur en place.
- Installer le tube inférieur et l'embout accéléré, comme décrit plus loin dans cette section.

### **INSTALLATION DE LA TUBE INFÉRIEUR**

*Voir les figures 5 et 6.*

- Avec la languette vers le bas, faire glisser le tube inférieur sur le tube supérieur sur du boîtier de la soufflante.
- Pousser le tube inférieur sur la du le tube supérieur jusqu'à ce que la languette s'enclenche dans l'encoche du boîtier de la soufflante.
- Pour retirer le tube, appuyer sur la languette et faire glisser le tube.
- **Pour installer l'embout accéléré ou la buse de l'aspirateur :** Aligner la languette de l'embout accéléré ou nozzle avec l'encoche du tube inférieur et appuyer jusqu'à ce que la languette se verrouille en place.
- **Pour enlever l'embout accéléré ou la buse de l'aspirateur :** appuyer sur la languette et faire glisser l'embout accéléré.

## **AVIS :**

Lorsque le tube est assemblé correctement, il sera difficile à séparer. S'il est facile de le séparer, le tube n'est pas verrouillé. S'assurer que la languette est alignée, puis pousser le tube de soufflage dans le boîtier de soufflage jusqu'à ce que le tube s'enclenche en position verrouillée. Si le tube n'est pas en position verrouillée, il peut se séparer pendant l'opération.

### **CONNEXION ET RÉGLAGE DU HARNAIS D'ÉPAULE**

*Voir les figures 7 et 8.*

La bandoulière est recommandée lors de l'aspiration. Il faut ajuster les sangles dans une position confortable avant de démarrer la soufflante / aspirateur.

- Passer un bras dans l'une des sangles, placer la sangle sur l'épaule et faire de même avec l'autre bras.
- Attacher les sangles de la taille et ajuster de manière confortable.
- Régler les sangles des épaules jusqu'à ce que le harnais repose confortablement contre le bas du dos.
- Lorsque le harnais est dans une position confortable, fixer le harnais au dispositif d'accrochage qui se trouve sur le souffleur/l'aspirateur.

# UTILISATION

## **⚠ AVERTISSEMENT :**

Ne pas laisser la familiarité avec ce produits faire oublier la prudence. Ne pas oublier qu'une fraction de seconde d'inattention peut entraîner des blessures graves.

## **⚠ AVERTISSEMENT :**

Toujours porter une protection oculaire avec écrans latéraux certifiée conforme à la norme ANSI Z87.1 ainsi qu'un protection auditive. Si cette précaution n'est pas prise, des objets peuvent être projetés dans les yeux et causer des lésions graves.

## **⚠ AVERTISSEMENT :**

Ne pas utiliser d'outils ou accessoires non recommandés par le fabricant pour ce produit. L'utilisation de pièces et accessoires non recommandés peut entraîner des blessures graves.

## **⚠ AVERTISSEMENT :**

S'assurer que tous les protecteurs et tubes sont installés correctement avant l'utilisation. Si le soufflante / aspirateur est échappé, éteindre le soufflante / aspirateur et s'assurer que ce dernier est intact. Si un protecteur, une pièce ou un tube est endommagé ou manquant, ne pas utiliser le soufflante / aspirateur tant que ce dernier n'est pas réparé ou remplacé par un centre de réparations qualifié. L'utilisation d'un soufflante / aspirateur comportant des protecteurs, des pièces ou des tubes endommagés ou manquants représente un risque de blessures graves et d'endommager le soufflante / aspirateur.

## **AVIS :**

Avant chaque utilisation, inspecter au complet le produit afin de s'assurer qu'aucune pièce (vis, écrous, boulons, chapeaux, etc.) n'est endommagée, manquante ou desserrée. Serrer solidement toutes les pièces de fixation et les chapeaux et ne pas utiliser le produit tant que toutes les pièces manquantes ou endommagées n'ont pas été remplacées. Pour obtenir de l'aide, veuillez communiquer avec le service à la clientèle ou un centre de réparations agréé.

## **APPLICATIONS**

Ce produit peut être utilisé pour les applications ci-dessous :

- Élimination des feuilles et d'autres débris des pelouses
- Élimination de les brins d'herbe, feuilles, aiguilles de pin, et d'autres débris des terrasses et allées de garage

## **INSTALLATION / RETRAIT DU BLOC-PILES**

*Voir la figure 4.*

## **⚠ AVERTISSEMENT :**

Toujours retirer la pile de l'outil au moment d'assembler des pièces, d'effectuer des réglages et de procéder au nettoyage, ou lorsque l'outil n'est pas utilisé. Le fait de retirer la pile permet d'empêcher un démarrage accidentel pouvant entraîner des blessures graves.

### **Installation :**

- Insérer le bloc-piles dans le soufflante. Aligner la nervure en saillie du bloc-piles sur la rainure du logement du soufflante.

## **⚠ AVERTISSEMENT :**

S'assurer que le loquet au bas du bloc-piles s'enclenche et que le bloc-piles est installé et fixé correctement au soufflante / aspirateur avant de commencer le travail. Ne pas installer et fixer correctement le bloc-piles peut provoquer la chute de ce dernier et occasionner des blessures graves.

## **AVIS :**

Lors de l'installation du bloc-piles, veiller à ce que sa nervure s'aligne sur le fond de l'outil et se verrouille en place. Une insertion incorrecte du bloc-piles peut causer des dommages aux composants internes.

### **Retrait :**

- Appuyer sur le loquet sur le bas du bloc-piles pour le séparer du soufflante.

## **⚠ AVERTISSEMENT :**

Les outils à piles sont toujours en état de fonctionnement. Il est donc nécessaire de toujours verrouiller l'interrupteur lorsque l'outil n'est pas en usage et pendant son transport. Retirer la pile au moment de transporter le soufflante afin d'éviter un démarrage accidentel qui pourrait entraîner des blessures graves.

Pour prendre connaissance des consignes de chargement, consulter le manuel d'utilisation des piles et des chargeurs.

## **RÉGLAGE DE LA POIGNÉE**

*Voir la figure 10.*

- Retirer le bloc-piles.
- Placer la soufflante / aspirateur sur une surface plane et stable.
- Appuyer sur le bouton de pivot et régler la poignée jusqu'à ce qu'elle s'enclenche en toute sécurité à l'un des quatre crans d'arrêt.

# UTILISATION

## MISE EN MARCHÉ ET ARRÊT DE LA SOUFFLANTE / ASPIRATEUR

Voir les figures 11 et 12.

Utiliser la commande de vitesse pour mettre en marche et arrêter le souffleur/l'aspirateur, en plus de régler les vitesses.

- Assembler l'unité en tant que souffleur/aspirateur, comme décrit précédemment. S'assurer que toutes les parties sont assemblées correctement. La bandoulière est recommandée lors de l'aspiration.
- S'assurer que le sélecteur de vitesse est tourné en position souffleur pour souffler ou en position aspirateur pour aspirer.
- Installer le bloc-piles.
- Faire tourner la commande de vitesse vers l'avant pour faire démarrer l'unité à basse vitesse. Continuer à faire tourner la commande vers l'avant pour les vitesses moyenne et haute.
- Faire tourner la commande de vitesse vers l'arrière pour diminuer la vitesse. Continuer à faire tourner la commande vers l'arrière pour arrêter l'unité.

## UTILISATION DE LA SOUFFLANTE / ASPIRATEUR

Voir les figures 13 et 14.

- Assembler l'unité en tant que souffleur/aspirateur, comme décrit précédemment. S'assurer que toutes les parties sont assemblées correctement.
- S'assurer que le sélecteur de vitesse est tourné en position souffleur pour souffler ou en position aspirateur pour aspirer.
- Deslice un brazo en cada una de las correas de hombro y colóquese la mochila sobre los hombros. Sécuriser le harnais d'épaules et le fixer au souffleur/à l'aspirateur.
- Tenir l'outil en position opérationnelle adéquate et commencer à l'utiliser.
- Pour éviter d'éparpiller les débris, souffler autour des bords des tas. Ne jamais souffler directement vers le centre d'un tas.
- Pour réduire le niveau sonore, limiter le nombre d'outils motorisés utilisés en même temps.
- Utilisez des râtaux des pelles pour séparer les débris avant de les souffler. Dans un environnement poussiéreux, humidifier légèrement les surfaces si de l'eau est disponible.
- Conserver l'eau en utilisant des soufflantes motorisées au lieu de tuyaux d'arrosage, pour nombre de travaux de nettoyage

tels que celui des moustiquaires, patios, grills, porches et jardins.

- L'aspirateur est conçu pour ramasser les feuilles. Veiller à ne pas aspirer de grandes brindilles. Ne pas aspirer des feuilles humides.
- Prêter attention aux enfants, animaux, fenêtres ouvertes ou véhicules fraîchement lavés et souffler les débris en direction opposée.
- Après utilisation de la soufflante ou de tout autre équipement, NETTOYER ! Éliminer les débris selon une méthode appropriée.



## AVERTISSEMENT :

Les outils à piles sont toujours en état de fonctionnement. Il est donc nécessaire de toujours verrouiller l'interrupteur lorsque l'outil n'est pas en usage et pendant son transport.

## VIDAGE DU SAC DE COLLECTE DE FEUILLES

Vider régulièrement le sac de collecte de feuilles pour obtenir une performance optimale et pour éviter que le sac devienne trop lourd.

- Retirer le bloc-piles.
- Enlever le sac de collecte de feuilles.
- Saisir la tirette de la fermeture à glissière et tirer vers le bas.
- Jeter correctement le contenu.
- Fermer la fermeture.
- Réinstaller le sac de collecte de feuilles.
- Réinstaller le bloc-piles.

## VÉRIFICATION DES OBSTRUCTIONS

Si l'aspirateur à feuilles semble perdre de la puissance d'aspiration, examiner les tubes pour vérifier s'il y a des bouchons ou des obstructions.

- Retirer le bloc-piles.
- Desserrer la vis à oreilles maintenant le tube inférieur.
- Tirer la vis de verrouillage pour relâcher le tube supérieur.
- Éliminer les feuilles ou débris des tubes et du logement.

# ENTRETIEN

## **⚠️ AVERTISSEMENT :**

Pour empêcher un démarrage accidentel pouvant entraîner des blessures graves, toujours retirer le bloc de pile de le produit avant tout nettoyage ou entretien.

## **⚠️ AVERTISSEMENT :**

Toujours porter une protection oculaire avec écrans latéraux certifiée conforme à la norme ANSI Z87.1 ainsi qu'une protection auditive. Si cette précaution n'est pas prise, des objets peuvent être projetés dans les yeux et causer des lésions graves.

## **⚠️ AVERTISSEMENT :**

Utiliser exclusivement des pièces d'origine pour les réparations. L'usage de toute autre pièce pourrait créer une situation dangereuse ou endommager l'outil.

## **⚠️ AVERTISSEMENT :**

**Ne jamais utiliser de l'eau ou une autre liquide pour nettoyer ou rincer le produit et n'exposez pas à la pluie ou conditions l'humidité. La remiser à l'intérieur dans un endroit sec.** Les liquides corrosifs, l'eau et les produits chimiques peuvent s'infiltrer dans les composants électroniques et/ou le compartiment de la pile et endommager les composants électroniques et/ou le bloc-pile, ce qui peut entraîner un court-circuit, augmenter le risque d'incendie ou des blessures corporelles graves. Enlever toute accumulation de la saleté et les débris sur la produit de temps en temps avec un linge sec.

## **AVIS :**

Inspecter périodiquement au complet le produit afin de s'assurer qu'aucune pièce (vis, écrous, boulons, chapeaux, etc.) n'est endommagée, manquante ou desserrée. Serrer solidement toutes les pièces de fixation et les chapeaux et ne pas utiliser le produit tant que toutes les pièces manquantes ou endommagées n'ont pas été remplacées. Pour obtenir de l'aide, veuillez communiquer avec le Service à la clientèle ou un centre de réparations agréé.

## **ENTRETIEN GÉNÉRAL**

Éviter d'utiliser des solvants pour le nettoyage des pièces en plastique. La plupart des matières plastiques peuvent être endommagées par divers types de solvants du commerce. Utiliser un chiffon propre pour éliminer la saleté, la poussière, l'huile, la graisse, etc.

## **⚠️ AVERTISSEMENT :**

Ne jamais laisser de liquides tels que le fluide de freins, l'essence, les produits à base de pétrole, les huiles pénétrantes, etc., entrer en contact avec les pièces en plastique. Les produits chimiques peuvent endommager, affaiblir ou détruire le plastique, ce qui peut entraîner des blessures graves.

## **REMISAGE**

- Retirer la pile et ranger dans un endroit sec et sécuritaire, hors de portée des enfants.
- Nettoyer soigneusement la soufflante.
- La remiser à l'intérieur, inaccessible aux enfants. La tenir à l'écart de produits corrosifs, tels que les produits chimiques de jardinage et le sel de dégivrage.

**Ce produit est accompagné d'une garantie limitée de cinq (5) ans pour utilisation personnel, familiales ou domestiques (90 jours pour utilisation affaires ou commerciaux). Pour obtenir les détails de la garantie, visiter le site [www.ryobitools.com](http://www.ryobitools.com) ou appeler (sans frais) au 1-800-525-2579.**





# INSTRUCCIONES IMPORTANTES DE SEGURIDAD

Cuando se usa un electrodoméstico, las precauciones básicas siempre se deben seguir, inclusive lo siguiente:

## ¡ADVERTENCIA!

**LEA Y COMPRENDA TODAS LAS INSTRUCCIONES ANTES DE UTILIZAR ESTE SOPLADORA/ASPIRADORA.**

Para reducir el riesgo de calambre, el fuego y/o la herida personal grave.

- **Familiarícese con su sopladora/aspiradora eléctrica. Lea cuidadosamente el manual del operador. Aprenda sus usos y limitaciones, así como los posibles peligros específicos de esta sopladora/aspiradora.** Con el cumplimiento de esta regla se reduce el riesgo de una descarga eléctrica, incendio o lesión seria.
- **No permita que los niños usen la sopladora/aspiradora.** No es un juguete. Debe tenerse extrema precaución cuando se use cerca de niños.
- **Sólo utilice accesorios recomendados por el fabricante para cada modelo en particular se describe en este manual.** Accesorios que pueden ser adecuados para una sopladora/aspiradora pueden significar un riesgo de lesiones si se emplean con otra sopladora/aspiradora. Sólo utilice el producto de la forma descrita en este manual.
- **No manipule el cargador, incluso la clavija del cargador y las terminales del cargador, con las manos mojadas.**
- **No coloque ningún objeto en las aberturas. No la utilice con ninguna abertura bloqueada; manténgalas libres de polvo, pelusa, pelo y cualquier cosa que pueda reducir el flujo de aire.**
- **No cargue la unidad en el exterior.**
- **Mantenga el cabello, la ropa holgada, los dedos y todas las partes del cuerpo alejados de las aberturas y piezas móviles de la unidad.**
- **Apague todos los controles antes de extraer la batería.**
- **Tenga especial cuidado al limpiar escaleras o escalones.**
- **No utilice sopladora/aspiradoras en entornos explosivos, como los existentes alrededor de líquidos, gases y polvos inflamables.** La sopladora/aspiradoras eléctricas generan chispas que pueden encender el polvo y los vapores inflamables.
- **Mantenga limpia y bien iluminada el área de trabajo.** Una mesa de trabajo desordenada y una mala iluminación son causas comunes de accidentes.
- **Mantenga alejados a transeúntes, niños y demás presentes por lo menos a 15 metros (50 pies) de distancia al utilizar una sopladora/aspiradora eléctrica.** Toda distracción puede causar la pérdida del control de la sopladora/aspiradora.
- **Toda sopladora/aspiradora que utiliza baterías, ya sea integradas o separadas, debe recargarse únicamente con el cargador especificado para la batería.** Un cargador que puede ser adecuado para un tipo de batería puede significar un riesgo de incendio si se emplea con otro tipo de batería.
- **Utilice la sopladora/aspiradoras activadas con baterías únicamente con la batería específicamente indicada.** El empleo de otras baterías puede presentar un riesgo de incendio.
- **Usar este producto únicamente con la baterías y el cargadors indicados en el folleto de la herramienta/aparato/paquete de baterías/cargador complementario 987000-432.**
- **No utilice la cargador si está dañado el cable o la clavija, ya que podría causar un cortocircuito y una descarga eléctrica.** Si el cargador se encuentra dañado, un técnico de centro de servicio autorizado.
- **Si el aparato de mano no está funcionando adecuadamente, se dejó caer, se dañó, se dejó a la intemperie, o se dejó caer dentro del agua, regrésela al centro de servicio autorizado.**
- **Permanezca alerta, preste atención a lo que esté haciendo y aplique su sentido común al utilizar la sopladora/aspiradora eléctrica. No utilice la sopladora/aspiradora si está cansado, trastorno o se encuentra bajo los efectos de alguna droga, alcohol o medicamento.** Un momento de inatención al utilizar la sopladora/aspiradora eléctrica puede causar lesiones corporales de gravedad.
- **Recójase el cabello si lo tiene largo, de manera que le quede arriba de los hombros para evitar que se enrede en las piezas en movimiento.**
- **Evite el arranque accidental de la unidad. Asegúrese de que el interruptor esté en la posición de aseguramiento o de apagado antes de instalar la batería.**
- **Póngase equipo de seguridad. Siempre póngase protección ocular.** Cuando lo exijan las circunstancias, debe ponerse careta contra el polvo, zapatos de seguridad antiderrapantes, casco y protección auditiva.
- **No vista ropas holgadas ni porte joyas. Recójase el cabello si está largo.** Las ropas holgadas y las joyas, así como el cabello largo, pueden resultar atraídas hacia el interior de las ventilas.
- **No utilice la unidad al estar en una escalera, en el tejado, en el árbol, o en un soporte inestable.** Una postura estable sobre una superficie sólida permite un mejor control de la sopladora/aspiradora en situaciones inesperadas.
- **No utilice la sopladora/aspiradora si el interruptor no la enciende ni apaga.** Una sopladora/aspiradora que no puede controlarse con el interruptor es peligrosa y debe repararse.
- **Antes de efectuar ajustes, de cambiar accesorios o de guardar la sopladora/aspiradora, desconecte la batería de la sopladora/aspiradora o ponga el interruptor en la posición de aseguramiento o apagado.** Tales medidas preventivas de seguridad reducen el riesgo de poner en marcha accidentalmente la sopladora/aspiradora.
- **Cuando no esté usando la batería, manténgala alejada de objetos metálicos tales como: clips, monedas, llaves, clavos, tornillos y otros objetos metálicos pequeños que puedan establecer una conexión entre ambos terminales.** Al establecer una conexión directa entre los dos terminales se puede causar chispas, quemaduras o incendios.

# INSTRUCCIONES IMPORTANTES DE SEGURIDAD

- **Revise si las piezas móviles están desalineadas o atoradas, si hay piezas rotas o toda otra condición que pudiese afectar el funcionamiento de la sopladora/aspiradora. Si se daña la sopladora/aspiradora, llévela a servicio antes de volver a utilizarla.** Numerosos accidentes son causados por sopladora/aspiradoras mal cuidadas.
- **Mantenga la sopladora/aspiradora y su mango secos, limpios y sin aceite ni grasa.** Siempre utilice un paño limpio para la limpieza de la unidad. Nunca utilice fluidos para frenos, gasolina, productos a base de petróleo ni solventes fuertes para limpiar la sopladora/aspiradora. Con el cumplimiento de esta regla se reduce el riesgo de una pérdida de control y el deterioro de la carcasa de plástico de la unidad.
- **Siempre use gafas de seguridad con protección lateral.** Los anteojos comunes sólo tienen lentes resistentes a los impactos. NO son anteojos de seguridad. Con el cumplimiento de esta regla se reduce el riesgo de posibles lesiones oculares.
- **Siempre póngase protección ocular con la marca de cumplimiento de la norma ANSI Z87.1 junto con protección auditiva.**
- **Protéjase los pulmones. Use una careta o mascarilla contra el polvo si la operación genera mucho polvo.** Con el cumplimiento de esta regla se reduce el riesgo de lesiones corporales serias.
- **Protéjase los oídos. Durante períodos prolongados de utilización del producto, póngase protección para los oídos.** Con el cumplimiento de esta regla se reduce el riesgo de lesiones corporales serias.
- **Las sopladora/aspiradoras de baterías no se necesitan conectar a una toma de corriente; por lo tanto, siempre están en condiciones de funcionamiento. Esté consciente de los posibles peligros cuando no esté usando la sopladora/aspiradora de baterías o cuando esté cambiando los accesorios de la misma.** Con el cumplimiento de esta regla se reduce el riesgo de una descarga eléctrica, incendio o lesión corporal seria.
- **Si se maltratan las baterías, puede derramarse líquido de las mismas; evite todo contacto con éste.** En caso de contacto, lávese con agua. Si el líquido llega a tocar los ojos, además busque atención médica. El líquido que sale despedido de la batería puede causar irritaciones o quemaduras.
- **No utilice un paquete de baterías o un artefacto que esté dañado o modificado.** Las baterías dañadas o modificadas pueden tener un funcionamiento impredecible que provoque incendios, explosiones o riesgo de lesiones.
- **No exponga el paquete de baterías o el artefacto al fuego o a temperaturas excesivas.** La exposición al fuego o a temperatura sobre los 130 °C (265 °F) puede provocar explosiones.
- **Siga todas las instrucciones de carga y no cargue la batería ni el aparato fuera del rango de temperaturas especificado en las instrucciones.** Si realiza la carga en forma inapropiada o fuera de la temperatura del rango especificado, puede dañar la batería y aumentar el riesgo de incendios.
- **No modifique ni intente reparar el dispositivo o el paquete de baterías, excepto según se indica en las instrucciones de uso y mantenimiento.**
- **No coloque sopladora/aspiradoras de baterías ni las baterías mismas cerca del fuego o del calor.** De esta manera se reduce el riesgo de explosiones y de lesiones.
- **No exponga las sopladora/aspiradoras a la lluvia ni a condiciones de humedad.** La introducción de agua en una sopladora/aspiradora eléctrica aumenta el riesgo de descargas eléctricas.
- **Póngase pantalones, botas y guantes gruesos.** Evite ropas holgadas o joyas que pudieran resultar atrapadas en piezas móviles de la máquina o del motor.
- **No accione el equipo cuando esté descalzo o al llevar puestas sandalias o calzado liviano similar.** Use calzado de seguridad que le proteja sus pies y mejore su postura en superficies resbaladizas.
- **Mantenga los pies bien afirmados y el equilibrio.** No trate de alcanzar demasiado lejos. Se puede perder el equilibrio al tratar de alcanzar demasiado lejos.
- **Revise el área de trabajo cada vez antes de utilizar esta sopladora/aspiradora.** Retire todos los objetos como piedras, vidrio roto, clavos, alambre o cuerda que puedan salir disparados o enredarse en la máquina.
- **No apunte la boquilla de la sopladora/aspiradora hacia personas o mascotas.**
- **Nunca utilice la unidad sin el equipo adecuado instalado.** Siempre asegúrese de instalar los tubos de la sopladora/aspiradora.
- **Mientras no se esté utilizando, la sopladora/aspiradora debe almacenarse en el interior, en un sitio seco y bajo llave, lejos del alcance de los niños.**
- **No incinere esta sopladora/aspiradora o un paquete de baterías desgastado o dañado seriamente.** La batería puede explotar si se la expone al fuego.
- **Apague el motor, espere hasta que todas las piezas se detengan y retire la paquete de baterías antes al limpiarla o darle mantenimiento.**
- **Nunca use agua ni otros líquidos para limpiar o enjuagar la product y no exponga la unidad a la lluvia ni de condiciones húmedas. Almacene la unidad en el interior en un lugar seco.** Los líquidos corrosivos, el agua, y los productos químicos pueden ingresar los componentes eléctricos del producto y/o al compartimiento de la batería y dañar los componentes eléctricos o el paquete de la batería, lo que podría resultar en un corto circuito, mayor riesgo de incendio y lesiones personales graves. Retire la acumulación de suciedad y los residuos limpiando el producto con un trapo seco de manera ocasional.
- **El servicio del instrumento debe ser realizado sólo por personal calificado de reparación.** Atienda a o la conservación realizada por el personal sin título puede tener como resultado un riesgo de la herida.
- **Al atender a un instrumento, el uso el reemplazo sólo idéntico despide.** Siga las instrucciones en la sección de la Conservación de este manual. El uso de partes o fracaso no autorizados seguir la Conservación las Instrucciones pueden crear un riesgo del golpe o la herida.

# INSTRUCCIONES IMPORTANTES DE SEGURIDAD

- **Nunca utilice el sopladora/aspiradora cerca del fuego, chimeneas, cenizas al rojo vivo, asadores, etc.** El uso cerca del fuego o las cenizas calientes puede propagar incendios y producir lesiones serias y/o daños a los bienes.
- **Nunca use una sopladora/aspiradora para esparcir productos químicos, fertilizantes ni ninguna otra sustancia tóxica.** Esparcir estas sustancias podría producir lesiones serias al operador o a las personas presentes.
- **Nunca coloque el soplador en ninguna superficie, excepto que sea una superficie dura y limpia cuando el motor se encuentra en funcionamiento.** Es posible que la entrada de aire recoja grava, arena y otros residuos y los arroje al operador o a los espectadores, lo que puede causar lesiones serias.
- **Para uso doméstico únicamente.**
- **Retire la batería de la herramienta cuando no esté en uso, antes de realizar tareas de mantenimiento y antes de guardar la herramienta.** Con tales medidas preventivas de seguridad se reduce el riesgo de poner en marcha accidentalmente la herramienta.
- **No utilice este producto si no hay luz suficiente.**
- **No utilice la unidad para recoger líquidos inflamables o combustibles, como la gasolina, ni la utilice en lugares donde puedan estar presentes dichos líquidos.**
- **No recoja productos que se estén quemando ni humeantes, como cigarrillos, fósforos o cenizas calientes.**
- **No coloque ningún objeto en las aberturas.** No utilice la unidad si tiene alguna abertura bloqueada; manténgalas libres de polvo, pelusa, cabello y cualquier otra cosa que pueda reducir el flujo de aire.
- **Proporcione mantenimiento con cuidado a las herramientas.** Mantenga el área del ventilador limpia para lograr un rendimiento mejor y más seguro. Siga las instrucciones para realizar un mantenimiento adecuado.
- **No intente despejar obstrucciones de la herramienta sin quitar primero la batería.**
- **Las hojas giratorias del impulsor pueden causar graves lesiones.** Retire la batería y asegúrese de que las hojas del impulsor hayan dejado de girar antes de instalar el accesorio de entrada de sopladora o la bolsa de aspiradora.
- **Nunca utilice la unidad sin el equipo adecuado instalado.** Cuando se utilice la herramienta como sopladora, instale siempre el accesorio de entrada de sopladora y el tubo inferior. Cuando se utilice la herramienta como aspiradora, instale siempre el tubo inferior y la bolsa de aspiradora. Asegúrese de que la bolsa de aspiradora esté instalada correctamente cuando la unidad esté funcionando para evitar que salgan desechos volando.
- **Evite situaciones que puedan prender fuego al saco de la aspiradora.** No utilice la unidad cerca de llamas abiertas. No recoja con la aspiradora cenizas calientes de las chimeneas, parrillas para asar carne, pilas de broza, etc. No recoja con la aspiradora cigarrillos desechados a menos que las cenizas estén completamente apagadas.
- **Guarde estas instrucciones.** Consúltelas con frecuencia y empléelas para instruir a otras personas que puedan utilizar esta herramienta. Si presta a alguien esta herramienta, facilítele también las instrucciones con el fin de evitar un uso indebido del producto y posibles lesiones.

## GUARDE ESTAS INSTRUCCIONES










### SÍMBOLOS

Las siguientes palabras de señalización y sus significados tienen el objeto de explicar los niveles de riesgo relacionados con este producto.

SÍMBOLO	SEÑAL	SIGNIFICADO
	<b>PELIGRO:</b>	Indica una situación peligrosa, la cual, si no se evita, causará la muerte o lesiones serias.
	<b>ADVERTENCIA:</b>	Indica una situación peligrosa, la cual, si no se evita, podría causar la muerte o lesiones serias.
	<b>PRECAUCIÓN:</b>	Indica una situación peligrosa, la cual, si no se evita, podría causar lesiones menores o leves.
	<b>AVISO:</b>	(Sin el símbolo de alerta de seguridad) Indica la información que se considera importante, pero no relacionada con lesiones potenciales (por ej. en relación a daños a la propiedad).

# SÍMBOLOS

Es posible que se empleen en este producto algunos de los siguientes símbolos. Le suplicamos estudiarlos y aprender su significado. Una correcta interpretación de estos símbolos le permitirá utilizar mejor y de manera más segura el producto.

SÍMBOLO	NOMBRE	DENOMINACIÓN/EXPLICACIÓN
	Alerta de seguridad	Indica un peligro posible de lesiones personales.
	Lea el manual del operador	Para reducir el riesgo de lesiones, el usuario debe leer y comprender el manual del operador antes de usar este producto.
	Protección para los ojos y oídos	Siempre póngase protección ocular con protección lateral con la marca de cumplimiento de la norma ANSI Z87.1 junto con protección auditiva.
	Hojas del impulsor	Las hojas giratorias del impulsor pueden causar graves lesiones
	Alerta de condiciones húmedas	Riesgo de incendio y quemaduras. No exponga la batería, el compartimento de la batería o componentes electrónicos a la lluvia, el agua o líquidos. Cierre la tapa durante el uso. No use la herramienta en pisos húmedos.
	Mantenga alejadas a las personas presentes	Mantenga a los circunstantes a una distancia mínima de 15 m (50 pies).
	Cabello largo	Si no mantiene el cabello largo lejos de la entrada de aire, puede producirse lesiones.
	Tubo de la sopladora	No utilice la unidad sin el tubo montados en su lugar.
	Ropa holgada	Si no impide que la entrada de aire succione la ropa holgada, puede producirse lesiones.
	Rebote	Cualquier objeto lanzado puede rebotar y producir lesiones personales o daños materiales.
	Símbolo de reciclado	Este producto utiliza baterías de iones de litio (Li-ion). Es posible que algunas leyes municipales, estatales o federales prohíban desechar las baterías en la basura normal. Consulte a las autoridades reguladoras de desechos para obtener información en relación con las alternativas de reciclado y desecho disponibles.
V	Volts	Voltaje
min	Minutos	Tiempo
—	Corriente continua	Tipo o característica de corriente
n <sub>0</sub>	Velocidad en vacío	Velocidad de rotación, en vacío
.../min	Por minuto	Revoluciones, carreras, velocidad superficial, órbitas, etc., por minuto

# CARACTERÍSTICAS

## ESPECIFICACIONES DEL PRODUCTO

Motor .....	40 V, corr. cont.
Velocidad del aire	
MPH .....	100 (sopladora) y 80 (aspiradora)
Pies cúbicos/min .....	600 (sopladora) y 600 (aspiradora)

## FAMILIARÍCESE CON LA SOPLADORA/ ASPIRADORA

Vea la figura 1.

Para usar este producto con la debida seguridad, se debe comprender la información indicada en la herramienta misma y en este manual, y se debe comprender también el trabajo que intenta realizar. Antes de usar este producto, familiarícese con todas las características de funcionamiento y normas de seguridad del mismo.

## MANGO AJUSTABLE

El conjunto del mango delantero se puede ajustar para facilidad de uso y para ayudar a evitar la pérdida de control.

## MOTOR SIN ESCOBILLAS

Este producto cuenta con un motor sin escobillas que maximiza la potencia y el desempeño, así como el tiempo de funcionamiento de la batería.

## TUBO INFERIOR

El tubo de la sopladora/aspiradora puede instalarse fácilmente en la misma.

## PERILLA SELECTORA DE MODO

Use la perilla selectora de modo para cambiar de modo de sopladora a modo de aspiración.

## SELECTOR DE VELOCIDAD

El selector de velocidad le permite ajustar rápidamente la velocidad del aire y encender/apagar la sopladora/aspiradora.

## PUNTA DE VELOCIDAD

La punta de velocidad aumenta la velocidad del aire durante el funcionamiento de la sopladora.

# ARMADO

## DESEMPAQUETADO

Este producto requiere armado.

- Extraiga cuidadosamente de la caja, el producto y los accesorios. Asegúrese de que estén presentes todos los artículos enumerados en la **Lista de empaquetado**.

## ADVERTENCIA:

No utilice este producto si alguna pieza incluida en la **Lista de empaquetado** ya está ensamblada al producto cuando lo desempaqueta. El fabricante no ensambla las piezas de esta lista en el producto. Éstas deben ser instaladas por el usuario. El uso de un producto que puede haber sido ensamblado de forma inadecuada podría causar lesiones personales graves.

- Inspeccione cuidadosamente el producto para asegurarse de que no haya sufrido ninguna rotura o daño durante el transporte.
- No deseche el material de empaquetado hasta que haya inspeccionado cuidadosamente el producto y la haya utilizado satisfactoriamente.
- Si hay piezas dañadas o faltantes, le suplicamos llamar al 1-800-525-2579, donde le brindaremos asistencia.

## LISTA DE EMPAQUETADO

Sopladora/aspiradora  
Tubo inferior  
Boquilla de aspiradora  
Harnés para hombro  
Saco de la aspiradora  
Punta de velocidad (2)  
Manual del operador

## ADVERTENCIA:

Si hay piezas dañadas o faltantes, no utilice este producto sin haber reemplazado todas las piezas. Usar este producto con partes dañadas o faltantes puede causar lesiones serias al operador.

## ADVERTENCIA:

No intente modificar este producto ni hacer accesorios no recomendados para la misma. Cualquier alteración o modificación constituye maltrato, el cual puede causar una condición peligrosa y como consecuencia, posibles lesiones corporales serias.

# ARMADO

## **⚠ ADVERTENCIA:**

Para evitar un arranque accidental que podría causar lesiones corporales serias, siempre desmonte de la herramienta el paquete de baterías al montar piezas a aquélla.

## **⚠ ADVERTENCIA:**

Este producto está diseñado solo para soplar y no para aspirar. No trate de remover la alojamiento que cubre los impulsores. Remover la alojamiento reductora principal puede exponer los impulsores en movimiento y el contacto con las aspas del impulsor puede causar lesiones personales serias.

## ENSAMBLAJE DE LA HERRAMIENTA

*Vea las figuras 2 y 4.*

## **⚠ ADVERTENCIA:**

El contacto con las hojas giratorias del impulsor podría provocar lesiones personales graves. Retire siempre la batería y asegúrese de que las hojas del impulsor hayan dejado de girar antes de instalar el accesorio de entrada de sopladora o la bolsa de aspiradora. No coloque las manos ni ningún otro objeto en los tubos de la aspiradora cuando estén instalados en la unidad.

La herramienta se puede ensamblar para soplar o aspirar.

### **Para montar la herramienta en modo de aspiración:**

- Retire el paquete de baterías.
- Si corresponde, presione y gire el selector de modo a la posición central (desbloqueado) y luego retire el accesorio de entrada de sopladora del puerto trasero.
- Alinee las lengüetas de la bolsa de aspiradora con las muescas del puerto trasero y deslícelas para juntarlas.
- Presione y gire el selector de modo a la posición de aspiración para bloquear la bolsa de aspiradora en su lugar.
- Sujete la parte inferior de la bolsa de aspiradora al colgador de correa en la parte inferior de la sopladora/aspiradora.
- Instale el tubo inferior y la boquilla de aspiradora como se describe más adelante en esta sección.

### **Para montar la herramienta en modo de sopladora:**

- Retire el paquete de baterías.
- Si corresponde, presione y gire el selector de modo a la posición central (desbloqueado) y luego retire el accesorio de entrada de sopladora del puerto trasero.

- Alinee las lengüetas del accesorio de entrada de sopladora con las muescas del puerto trasero y deslícelas para juntarlas.
- Oprima y gire el selector de modo a la posición de sopladora para bloquear el accesorio de entrada de sopladora en su lugar.
- Instale el tubo inferior y la punta de velocidad como se describe más adelante en esta sección.

## INSTALACIÓN DEL TUBO INFERIOR

*Vea las figuras 5 y 6.*

- Con la lengüeta hacia abajo, deslice el tubo inferior sobre la salida de la carcasa de la sopladora.
- Empuje el tubo de la sopladora en la salida de la carcasa de la sopladora hasta que la lengüeta encaje en su lugar en la muesca de la carcasa.
- Para quitar el tubo, presione la lengüeta y deslice el tubo hacia afuera.
- **Para colocar la punta de velocidad o la boquilla de aspiradora:** Alinee la lengüeta de la punta de velocidad con la muesca del tubo de la sopladora y presione hasta que la lengüeta encaje en su lugar.
- **Para retirar la punta de velocidad o la boquilla de aspiradora:** presione la lengüeta y deslice la punta de velocidad hacia afuera.

## **AVISO:**

Cuando están ensamblados de manera correcta, es difícil separar los tubos. Si pueden separarse fácilmente, los tubos no están bloqueados. Verifique que la lengüeta esté alineada y empuje el tubo inferior hacia la carcasa de la sopladora hasta que el tubo encaje en la posición bloqueada. Si el tubo no está en posición bloqueada, puede separarse durante el uso de la sopladora.

## CÓMO CONECTAR Y AJUSTAR EL ARNÉS DE HOMBROS

*Vea las figuras 7 y 8.*

Se recomienda usar el arnés de hombro al pasar la aspiradora. Las correas deben ajustarse a una posición cómoda antes de arrancar la sopladora/aspiradora.

- Meta el brazo en el arnés, ponga éste en el hombro y luego repita estos movimientos con el otro lado.
- Conecte las correas de la cintura y ajústelas según sea necesario.
- Ajuste las correas de los hombros hasta que el arnés quede apoyado cómodamente contra la parte baja de la espalda.
- Una vez que el arnés esté en una posición cómoda, conéctelo a los colgadores de correa en la sopladora/aspiradora.

# FUNCIONAMIENTO

## **⚠️ ADVERTENCIA:**

No permita que su familiarización con las sopladoras lo vuelva descuidado. Tenga presente que un descuido de un instante es suficiente para causar una lesión grave.

## **⚠️ ADVERTENCIA:**

Siempre póngase protección ocular con protección lateral con la marca de cumplimiento de la norma ANSI Z87.1 junto con protección auditiva. La inobservancia de esta advertencia puede causar el lanzamiento de objetos hacia los ojos y otras lesiones graves.

## **⚠️ ADVERTENCIA:**

No utilice ningún aditamento o accesorio no recomendado por el fabricante de esta sopladora. El empleo de aditamentos o accesorios no recomendados podría causar lesiones serias.

## **⚠️ ADVERTENCIA:**

Verifique que todas las protecciones y los tubos estén en su lugar antes de usar. Si la sopladora/aspiradora se cae, detenga su funcionamiento y verifique que no se hayan producido daños. Si alguna protección, pieza o tubo se dañó o falta, no use la sopladora hasta que haya sido reparada por un centro de servicio calificado. Usar la sopladora/aspiradora con protecciones, piezas o tubos dañados o faltantes puede causar lesiones personales graves o mayores daños a la sopladora/aspiradora.

## **AVISO:**

Antes de cada uso, inspeccione todo el producto para detectar partes dañadas, faltantes o sueltas, como tornillos, tuercas, pernos, tapas, etc. Apriete firmemente todos los sujetadores y las tapas y no accione este producto hasta que todas las partes faltantes o dañadas sean reemplazadas. Póngase en contacto con el servicio al cliente o con un centro de servicio autorizado para obtener ayuda.

## **USOS**

Esta sopladora puede emplearse para los fines enumerados abajo:

- Quitar hojas y otros desechos del jardín
- Mantener terrazas y caminos de entrada libres de recortes de hierba, hojas, agujas de pino y otros desechos del jardín

## **DESMONTAR Y MONTAR EL PAQUETE DE BATERÍAS**

*Vea la figura 9.*

## **⚠️ ADVERTENCIA:**

Retire siempre el paquete de baterías de la herramienta antes de instalar las piezas, realizar ajustes. Limpiarla o cuando no la utilice. Retirar el paquete de baterías evitará que la unidad se accione accidentalmente y provoque lesiones graves.

### **Para conectar:**

- Coloque el paquete de baterías en la sopladora/aspiradora. Alinee la costilla realzada exterior del paquete de baterías con la ranura interior del receptáculo para baterías de sopladora/aspiradora.

## **⚠️ ADVERTENCIA:**

Asegúrese de que la traba de la parte inferior del paquete de baterías quede insertada en su lugar y que el paquete de baterías esté totalmente asentado y firme en la sopladora/aspiradora antes de poner la máquina en funcionamiento. No asentar el paquete de baterías correctamente podría provocar que el paquete de baterías se caiga y cause lesiones personales graves.

## **AVISO:**

Al colocar el paquete de baterías en la herramienta, asegúrese que la costilla realzada del mismo quede alineada con la parte inferior de la herramienta y de que los pestillos entren adecuadamente en su lugar. Si no se instala debidamente el paquete de baterías pueden dañarse los componentes internos.

### **Para el desmontaje:**

- Localice el pestillo situados de la parte inferior del paquete de baterías y oprímalos en para liberar éste de la sopladora.

## **⚠️ ADVERTENCIA:**

Las herramientas de baterías siempre están en condiciones de funcionamiento. Por lo tanto, siempre debe estar asegurado el interruptor cuando no esté usándose o el operador lo lleve por un lado. Retire el paquete de pilas al transportar o trasladar la sopladora a fin de evitar arranques accidentales que podría causar lesiones serias.

Para obtener instrucciones específicas de carga, lea el manual del operador que se incluye con el cargador y la batería.



# FUNCIONAMIENTO

## AJUSTE DE EL MANGO

Vea la figura 10.

- Retire el paquete de baterías.
- Coloque la sopladora/aspiradora sobre una superficie plana y resistente.
- Presione el botón de pivote y ajuste el mango hasta que encaje firmemente en su lugar en uno de los cuatro retenes.

## ENCENDIDO Y APAGADO DE LA SOPLADORA/ASPIRADORA

Vea las figuras 11 y 12.

Utilice el selector de velocidad para iniciar y detener la sopladora/aspiradora y ajustar las velocidades.

- Ensamble la unidad para soplar o aspirar como se describió anteriormente. Asegúrese de que todas las piezas estén correctamente ensambladas. Se recomienda usar el arnés de hombro al pasar la aspiradora.
- Verifique que el interruptor selector de modo esté en la posición de sopladora para soplar o en la posición de aspiración para aspirar.
- Instale el paquete de baterías.
- Gire el selector de velocidad hacia adelante para iniciar la unidad a baja velocidad. Continúe girando el selector hacia adelante para usar velocidades medias y altas.
- Gire el selector de velocidad hacia atrás para disminuir las velocidades. Continúe girando el selector hacia atrás para detener la unidad.

## FUNCIONAMIENTO DE LA SOPLADORA

Vea la figura 6.

- Ensamble la unidad para soplar o aspirar como se describió anteriormente. Asegúrese de que todas las piezas estén correctamente ensambladas.
- Verifique que el interruptor selector de modo esté en la posición de sopladora para soplar o en la posición de aspiración para aspirar.
- Deslice un brazo en cada una de las correas de hombro y colóquese la mochila sobre los hombros. Asegure el arnés de hombro y conéctelo a la sopladora/aspiradora.
- Sostenga la herramienta en la posición de operación adecuada y comience a usarla.
- Para evitar la dispersión de los desechos, apunte la sopladora hacia los bordes exteriores de un apilamiento de desechos. Nunca apunte la sopladora directamente al centro de una batería de desechos.

- Para reducir el nivel de ruido, limite a uno el número de equipos utilizados a la vez.
- Utilice rastrillos y escobas para aflojar los desechos antes de utilizar la sopladora. En condiciones polvorientas, cuando haya agua disponible, humedezca levemente las superficies.
- Conserve agua utilizando sopladores motorizados en lugar de mangueras para numerosos usos de jardinería, incluso para pantallas, patios, parrillas, porches y jardines.
- La aspiradora está diseñada para levantar hojas. Tenga cuidado de no aspirar ramas grandes. No aspire hojas húmedas.
- Esté al cuidado de niños, mascotas, ventanas abiertas o coches recién lavados, y sople los desechos de manera segura.
- Después de utilizar sopladores o cualquier otro equipo, ¡LIMPIE! Deseche de forma adecuada los desechos.



## ADVERTENCIA:

Las herramientas de baterías siempre están en condiciones de funcionamiento. Por lo tanto, siempre debe estar asegurado el interruptor cuando no esté usándose o el operador lo lleve por un lado.

## CÓMO VACIAR LA BOLSA DE RECOLECCIÓN DE HOJAS

Vacíe periódicamente la bolsa de recolección de hojas para lograr el mejor rendimiento de la unidad y evitar que la bolsa pese demasiado.

- Quite el paquete de baterías.
- Quite la bolsa de recolección de hojas.
- Agarre de la franja para tirar del cierre y tire hacia abajo.
- Deseche el contenido de forma apropiada.
- Cierre los cierres.
- Vuelva a colocar la bolsa de recolección de polvo.
- Vuelva a instalar el paquete de baterías.

## CÓMO REVISAR SI HAY OBSTRUCCIONES

Si la aspiradora de hojas parece perder potencia de succión, revise los tubos para ver si hay obstrucciones.

- Quite el paquete de baterías.
- Afloje el tornillo de mariposa que sostiene el tubo inferior.
- Tire del tornillo de bloqueo para liberar el tubo superior.
- Quite la suciedad o las hojas de los tubos y el área de la carcasa.

# MANTENIMIENTO

## **⚠️ ADVERTENCIA:**

Para evitar lesiones corporales serias, siempre retire el paquete de baterías de la herramienta al limpiarla o darle mantenimiento.

## **⚠️ ADVERTENCIA:**

Siempre póngase protección ocular con protección lateral con la marca de cumplimiento de la norma ANSI Z87.1 junto con protección auditiva. Si no cumple esta advertencia, los objetos que salen despedidos pueden producirle lesiones serias en los ojos.

## **⚠️ ADVERTENCIA:**

Al dar servicio a la unidad, sólo utilice piezas de repuesto idénticas. El empleo de piezas diferentes puede causar un peligro o dañar el producto.

## **⚠️ ADVERTENCIA:**

**Nunca use agua ni otros líquidos para limpiar o enjuagar la product y no esponga la unidad a la lluvia ni de condiciones húmedas.** Almacene la unidad en el interior en un lugar seco. Los líquidos corrosivos, el agua, y los productos químicos pueden ingresar los componentes eléctricos del producto y/o al compartimiento de la batería y dañar los componentes eléctricos o el paquete de la batería, lo que podría resultar en un corto circuito, mayor riesgo de incendio y lesiones personales graves. Retire la acumulación de suciedad y los residuos limpiando el producto con un trapo seco de manera ocasional.

## **AVISO:**

Inspeccione periódicamente todo el producto para detectar partes dañadas, faltantes o sueltas, como tornillos, tuercas, pernos, tapas, etc. Apriete firmemente todos los sujetadores y las tapas y no accione este producto hasta que todas las partes faltantes o dañadas sean reemplazadas. Póngase en contacto con el servicio al cliente o con un centro de servicio autorizado para obtener ayuda.

### **MANTENIMIENTO GENERAL**

Evite el empleo de solventes al limpiar piezas de plástico. La mayoría de los plásticos son susceptibles a diferentes tipos de solventes comerciales y pueden resultar dañados. Utilice paños limpios para eliminar la suciedad, el polvo, el aceite, la grasa, etc.

## **⚠️ ADVERTENCIA:**

No permita en ningún momento que fluidos para frenos, gasolina, productos a base de petróleo, aceites penetrantes, etc., lleguen a tocar las piezas de plástico. Las sustancias químicas pueden dañar, debilitar o destruir el plástico, lo cual a su vez puede producir lesiones corporales serias.

### **ALMACENAMIENTO**

- Retire la batería y guárdela en un lugar seco y seguro fuera del alcance de los niños.
- Limpie toda materia extraña presente en la sopladora.
- Almacene la unidad en el interior, inaccesible a los niños. Evite que la unidad entre en contacto con agentes corrosivos como las sustancias químicas para el jardín y las sales para derretir el hielo.

**Este producto tiene una garantía limitada de cinco años para fines personales, familiares o domésticos (90 días para usos trabajo o comercial). Para obtener detalles sobre la garantía, diríjase a [www.ryobitools.com](http://www.ryobitools.com) o llame sin cargo al 1-800-525-2579.**





**OPERATOR'S MANUAL**  
**MANUEL D'UTILISATION / MANUAL DEL OPERADOR**  
**40 VOLT BLOWER/VACUUM**  
**SOUFFLANTE / ASPIRATEUR DE 40 V**  
**SOPLADORA/ASPIRADORA DE 40 V**  
**RY404015**

• **PARTS AND SERVICE:** Prior to requesting service or purchasing replacement parts, please obtain your item, manufacturing, and serial numbers from the product data plate.

**ITEM NO.\*** \_\_\_\_\_ **MANUFACTURING NO.** \_\_\_\_\_  
**SERIAL NO.** \_\_\_\_\_

*\* Model/item number on product may have additional letters at the end. These letters designate manufacturing information and should be provided when calling for service.*

**HOW TO OBTAIN REPLACEMENT PARTS:** Replacement parts can be purchased online at [www.ryobitools.com](http://www.ryobitools.com) or by calling 1-800-525-2579. Replacement parts can also be obtained at one of our service centers.

**HOW TO LOCATE A SERVICE CENTER:** Service centers can be located online at [www.ryobitools.com](http://www.ryobitools.com) or by calling 1-800-525-2579.

**HOW TO OBTAIN CUSTOMER OR TECHNICAL SUPPORT:** To obtain customer or technical support please contact us at 1-800-525-2579.

RYOBI is a registered trademark of Ryobi Limited and is used pursuant to a license granted by Ryobi Limited.

• **PIÈCES ET SERVICE :** Avant de faire la demande de service ou l'achat de pièces de remplacement, veuillez obtenir le numéro d'article, le numéro de fabrication et le numéro de série à partir de la plaque de données du produit.

**NUMÉRO D'ARTICLE\*** \_\_\_\_\_ **NUMÉRO DE FABRICATION** \_\_\_\_\_  
**NUMÉRO DE SÉRIE** \_\_\_\_\_

*\* Le numéro de modèle/article sur le produit peut contenir des lettres supplémentaires à la fin. Ces lettres désignent les informations du fabricant et doivent être fournies lors d'un appel de demande de service.*

**COMMENT OBTENIR LES PIÈCES DE REMPLACEMENT :** Les pièces de remplacement peuvent être achetées en ligne sur le site [www.ryobitools.com](http://www.ryobitools.com) ou par téléphone au 1-800-525-2579. Les pièces de remplacement peuvent être obtenues à un de nos centres de service.

**COMMENT TROUVER UN CENTRE DE SERVICE :** Les centres de service peuvent être localisés en ligne au [www.ryobitools.com](http://www.ryobitools.com) ou en téléphonant au 1-800-525-2579.

**COMMENT OBTENIR DE L'AIDE EN CONTACTANT LE SERVICE À LA CLIENTÈLE :** Pour contacter le service à la clientèle pour une question technique ou pour tout autre renseignement, veuillez nous téléphoner au 1-800-525-2579.

RYOBI est une marque déposée de Ryobi Limited et est utilisée en vertu d'une licence accordée par Ryobi Limited.

• **PIEZAS DE REPUESTO Y SERVICIO:** Antes de solicitar servicio técnico o comprar piezas de repuesto, obtenga su número de artículo, el número de fabricación y el número de serie de la placa de datos del producto.

**NÚMERO DE ARTÍCULO\*** \_\_\_\_\_ **NÚMERO DE FABRICACIÓN** \_\_\_\_\_  
**NÚMERO DE SERIE** \_\_\_\_\_

*\* El número de modelo/artículo que figura en el producto podría tener letras adicionales al final. Estas designan información de fabricación y deben suministrarse cuando llame para obtener asistencia o servicio.*

**CÓMO OBTENER PIEZAS DE REPUESTO:** Las piezas de repuesto se pueden comprar en nuestro sitio en la red mundial, en la dirección [www.ryobitools.com](http://www.ryobitools.com) o llamando al 1-800-525-2579. Las piezas de repuesto también se pueden obtener en uno de nuestros centros de servicio.

**CÓMO LOCALIZAR UN CENTRO DE SERVICIO:** Puede encontrar los centros de servicio visitando nuestro sitio en la red mundial, en la dirección [www.ryobitools.com](http://www.ryobitools.com) or by calling 1-800-525-2579.

**CÓMO OBTENER SERVICIO O ASISTENCIA TÉCNICA AL CONSUMIDOR:** Para obtener servicio o asistencia técnica al consumidor, sírvase comunicarse con nosotros llamando al 1-800-525-2579.

RYOBI es una marca registrada de Ryobi Limited y se utiliza conforme a una licencia otorgada por Ryobi Limited.

**TTI OUTDOOR POWER EQUIPMENT, INC.**

P.O. Box 1288, Anderson, SC 29622 USA  
1-800-525-2579 • [www.ryobitools.com](http://www.ryobitools.com)