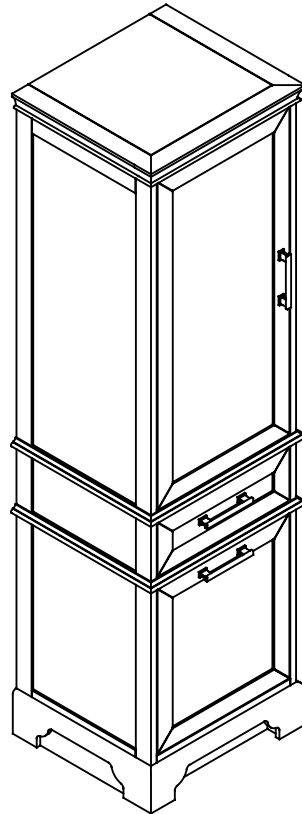


# ASSEMBLY INSTRUCTIONS

---

## CHERRYDALE LINEN CABINET



Questions, problems, missing parts? Before returning to the store,  
call Home Decorators Collection Customer Service  
8 a.m. - 7 p.m., EST, Monday - Friday, 9 a.m. - 6 p.m., EST, Saturday

**1-800-986-3460**

**[HOMEDEPOT.COM/HOMEDEPOT.CA/HOMEDECORATORS](http://HOMEDEPOT.COM/HOMEDEPOT.CA/HOMEDECORATORS)**

---

**THANK YOU**

*We appreciate the trust and confidence you have placed in Home Decorators Collection through the purchase of this linen cabinet. We strive to continually create quality products designed to enhance your home. Visit us online to see our full line of products available for your home improvement needs. Thank you for choosing Home Decorators Collection!*

# Table of Contents

<b>Table of Contents</b> .....	<b>2</b>	<b>Pre-assembly</b> .....	<b>5</b>
<b>Safety information</b> .....	<b>2</b>	<b>Planning Assembly</b> .....	<b>5</b>
<b>Warranty</b> .....	<b>3</b>	<b>Tools Required</b> .....	<b>5</b>
<b>Limited Lifetime Warranty</b> .....	<b>3</b>	<b>Package Contents</b> .....	<b>6</b>
<b>What is Covered</b> .....	<b>3</b>	<b>Assembly</b> .....	<b>7</b>
<b>What is Not Covered</b> .....	<b>3</b>	<b>Care and cleaning</b> .....	<b>8</b>
<b>Tip Over Hazard Warning</b> .....	<b>4</b>		

## Safety Information

### **DANGER**

- ❑ Keep small parts away from children during assembly.
- ❑ Failure to follow warnings and cautions could result in serious injury.
- ❑ **DO NOT** use harsh bathroom cleaners or grout cleaners on any natural stone.

### **WARNING**

- ❑ Read these instructions carefully and keep in a safe place.
- ❑ Adult assembly required.
- ❑ Do not over tighten connectors (screws, bolts, etc.)  
Overtightening can lead to product damage.
- ❑ Small parts may present choking hazard prior to assembly.
- ❑ Do not stand, step or climb on unit.

### **Caution**

- ❑ **USE** preventative cleaning measures to keep your stone pristine.
- ❑ **USE** sealers according to the product specific directions.
- ❑ Blot spills quickly, and wash with mild soap and warm water.
- ❑ Be sure to check all packing materials carefully for small parts that may have come loose inside the carton during shipment. If parts are missing, contact THE HOME DEPOT to obtain any missing parts.
- ❑ Using abrasive cleansers will damage the surface.

## Tip Over Hazard Warning

### **WARNING**

- Unit must be placed on a level surface or leveled with included hardware (when applicable).
- Do not sit or stand on or allow children to climb, sit or stand on the assembled product.
- For safety reasons, it is imperative that this unit be mounted on the wall or floor.
- Do not use without installing the tip restraint.
- Unit can tip over causing severe injury or death.
- Never open more than one drawer at a time.
- Do not exceed the recommended weight limits.
- Evenly distribute the weight on each level and always keep the heavier loads on the bottom.
- Before cutting, drilling or hammering into any wall or floor surface, verify the location of electrical, plumbing and gas lines. Cutting may cause serious injury.

# Warranty

## LIMITED LIFETIME WARRANTY

- This warranty extends only to the original owner user for personal household use only. For commercial uses, additional limitations may apply.
- Home Decorators Collection warrants your satisfaction with each mirror. Should any mirror not meet your satisfaction due to a visual defect, simply return it to your retailer with the original packaging, PRIOR TO INSTALLATION, for a replacement.
- Home Decorators Collection warrants mirrors to be free from defects in workmanship and materials under normal use and service for a period of one (1) year.
- Home Decorators Collection will, at its election, repair, replace, or make appropriate adjustment where Home Decorators Collection optional inspection discloses any such defects occurring in normal usage within the warranty periods.
- Please note that Home Decorators Collection is not responsible for installation or removal costs.
- Modification of any mirror's components may void the warranty. This warranty does not cover any claim arising from abuse, misuse, negligence, accident, improper installation or operation on the part of the purchaser. This warranty is void if Home Decorators Collection's product is subject to alterations, or if repairs were done to the mirror unit.
- This warranty does not extend to any components installed by dealers, installers or by any party other than Home Decorators Collection.
- Implied warranties, including that of merchantability or fitness for a particular purpose, are expressly limited in duration to the duration of this warranty.
- Home Decorators Collection disclaims any liability for special, incidental or consequential damages.

## WHAT IS COVERED

Home Decorators Collection products are manufactured with superior quality standards and workmanship and are backed by our limited lifetime warranty. Home Decorators Collection products are warranted to the original consumer purchaser to be free of defects in materials or workmanship. We will replace FREE OF CHARGE any product or parts that proves defective. Simply, return the product / part to any of The Home Depot retail locations or call 1-800-986-3460 to receive the replacement item. Proof of purchase (original sales receipt) from the original consumer purchaser must be made available for all Home Decorators Collection warranty claims.

## WHAT IS NOT COVERED

This warranty excludes incidental/consequential damages and failures due to misuse, abuse or normal wear and tear. This warranty excludes all industrial, commercial & business usage, whose purchasers are hereby extended a one-year limited warranty from the date of purchase, with all other terms of this warranty applying except the duration of warranty. Some states and provinces do not allow the exclusion or limitation of incidental or consequential damages, so the above limitations may not apply to you. This warranty gives you specific legal rights and you may also have other rights that vary from state to state and province to province. Please see a store or contact 1-800-986-3460 for more details.

# Pre-assembly

## PLANNING ASSEMBLY

Check the mirror for damage before installation. If any part of the mirror is missing or damaged, contact the Customer Service Team at 1-800-986-3460.

Ensure that the mirror location is accessible to wall. It is suggested that you rough-in the wall before installing the mirror.

## TOOLS REQUIRED



Safety goggles



Philips screwdriver



Level



Rubber mallet



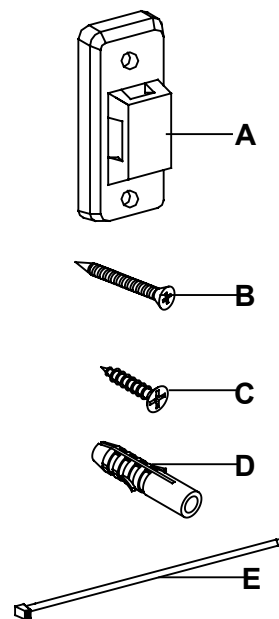
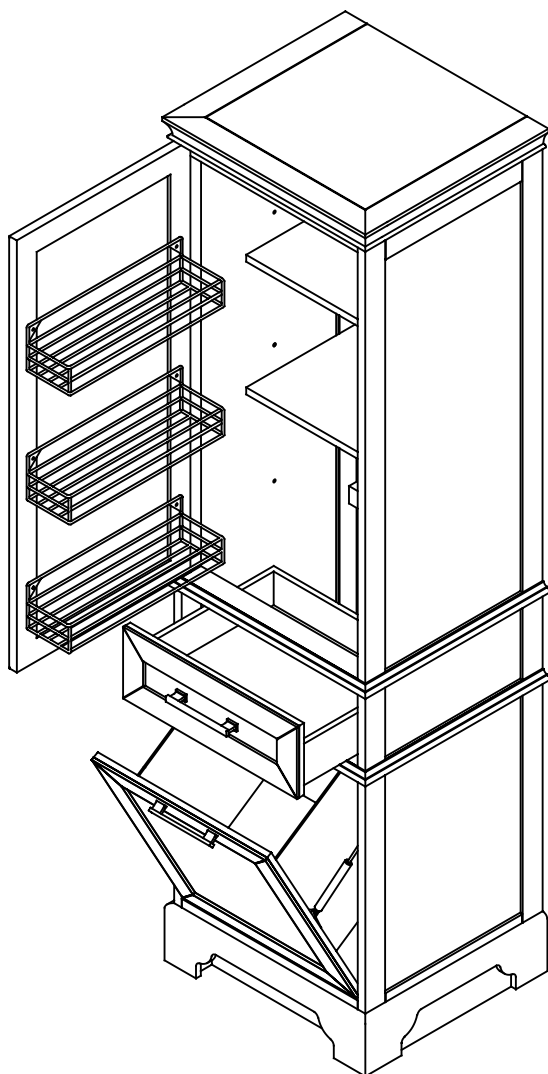
Clean rag



Pencil

# Pre-assembly (continued)

## PACKAGE CONTENTS



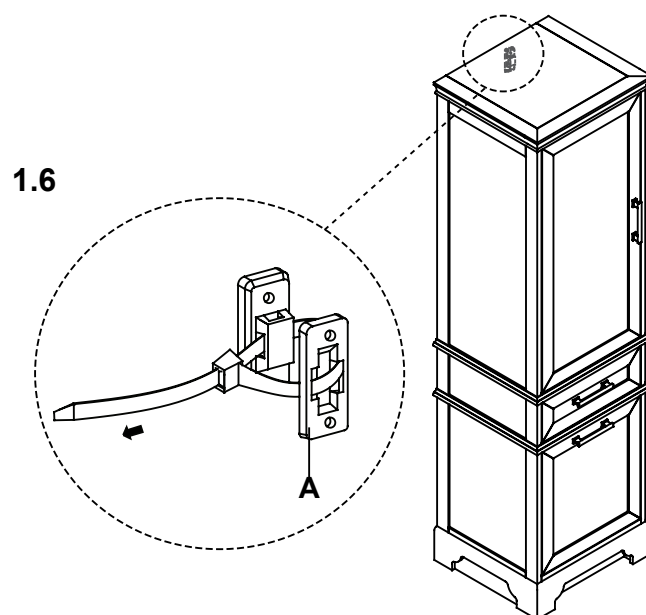
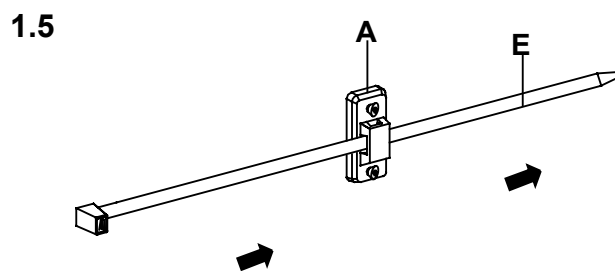
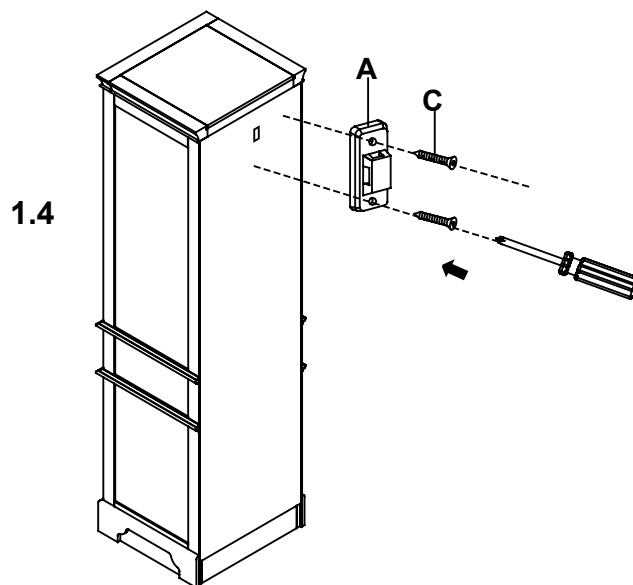
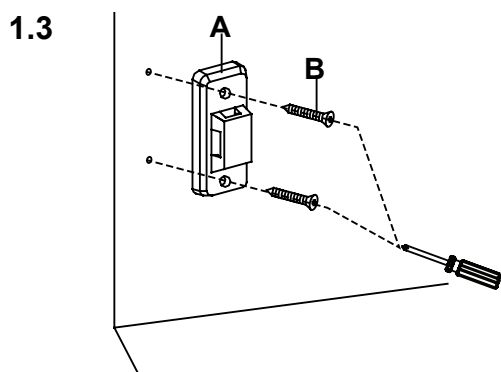
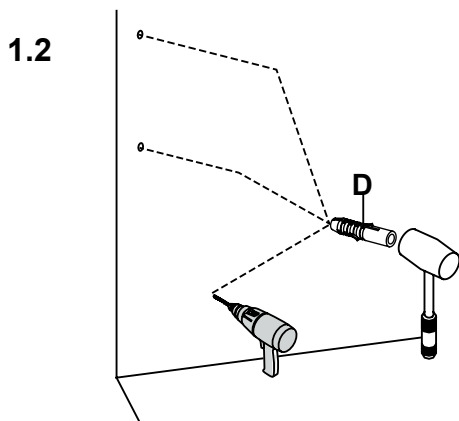
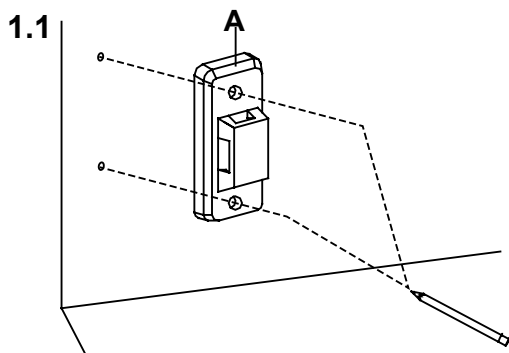
Part	Description	Quantity
A	Tip-over restraint	2
B	Screw $\varnothing 3.5 \times 38 \text{mm}$	2
C	Screw $\varnothing 3.5 \times 19 \text{mm}$	2
D	Wall Anchor	2
E	Strap	1

## 1 Installing the tip-over restraints

- Gypsum wallboard or concrete walls: Drill pilot holes in the marked locations with a  $\varnothing$  8 mm / 5/16 in. drill bit. Insert the wall anchors (D) using a rubber mallet until the wall anchors are flush with the wall.
- Solid wood walls: Drill pilot holes in the marked locations with a  $\varnothing$  2 mm / 1/16 in. drill bit. Wall anchors are not necessary.



**WARNING:** Customer must install the tip-over restraints provided. Serious or fatal crushing injuries can occur from furniture tip-over. Use of tip-over restraints may only reduce, but not eliminate, the risk of tip-over.



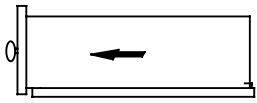
# Assembly (continued)

## 2 How to remove / install drawers

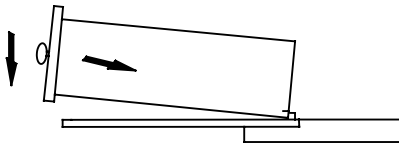
REMOVE

INSTALL

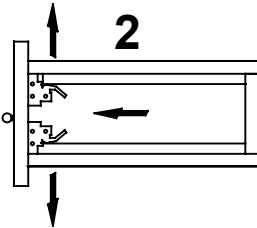
1



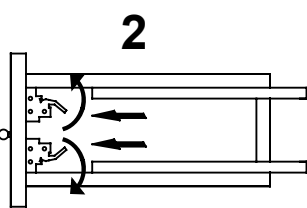
1



2



2



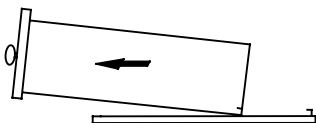
3



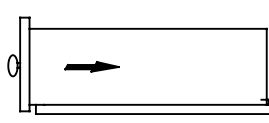
3



4



4





## Care and Cleaning

---

- For daily maintenance, use a wet cloth and a soft liquid cleaner.
- Never use abrasive cleaners or strong bleach, scrapers, metallic brushes, or other objects or any products which can graze or tarnish surfaces.

**HOME  
DECORATORS  
COLLECTION®**

**Questions, problems, missing parts? Before returning to the store, call  
Home Decorators Collection Customer Service.  
8 a.m. - 7 p.m., EST, Monday - Friday, 9a.m. - 6 p.m., EST, Saturday**

**1-800-986-3460**

**[HOMEDEPOT.COM/HOMEDEPOT.CA/HOMEDECORATORS](http://HOMEDEPOT.COM/HOMEDEPOT.CA/HOMEDECORATORS)**

**Retain this manual for future use.**