

HUNTINGTON™

Grills for American Outdoor Living

Outdoor Gas Barbeque/Grill Gril À Gaz

Assembly Manual and Parts List Manuel De Montage et Liste De Pieces



HUNTINGTON
24025HNT



HUNTINGTON
24025HNTW



HUNTINGTON
30030HNT

ASSEMBLY VIDEO

VIDÉO MONTRANT
L'ASSEMBLAGE

VIDEO DE
ENSAMBLAJE



HUNTINGTONBBQ.COM

MADE IN USA

Onward Manufacturing Company (LTD)

SP5560-37 Rev F

FABRIQUÉ EN USA

Canada: 585 Kumpf Drive

USA: 1 Fiesta Drive

Waterloo, ON N2V1K3

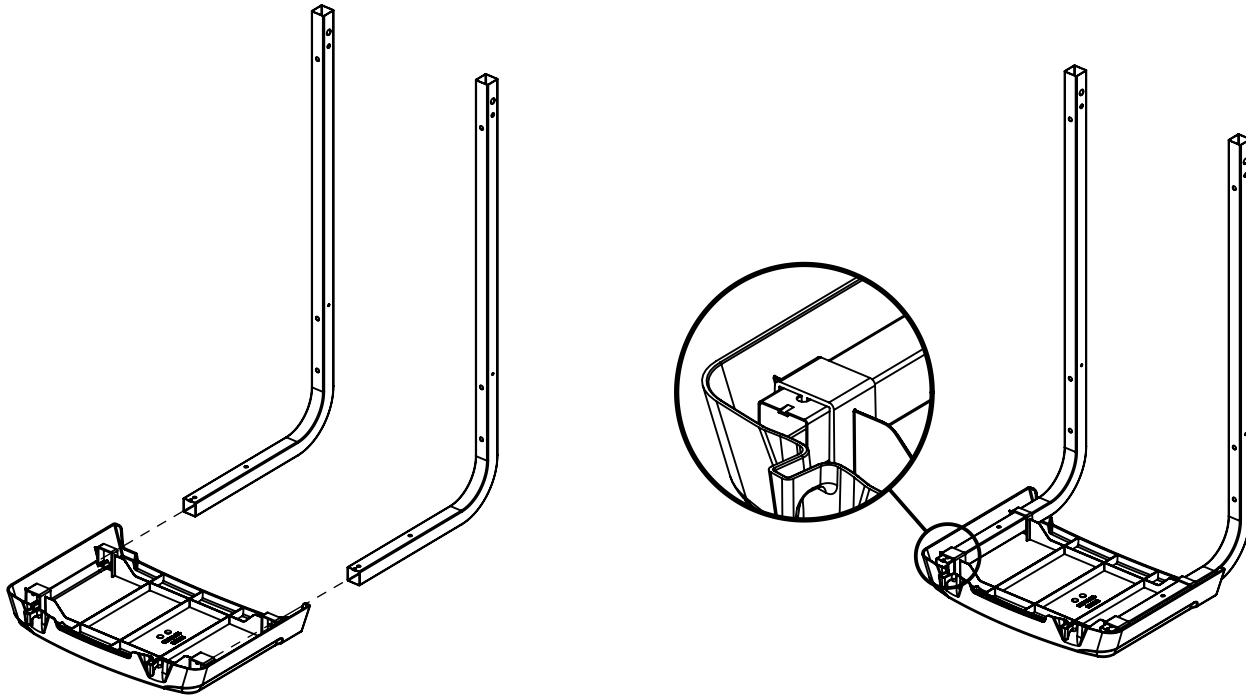
Dickson, TN 37055-7716

1-800-387-8643

FOR OUTDOOR USE ONLY
UTILISER À L'EXTÉRIEUR SEULEMENT

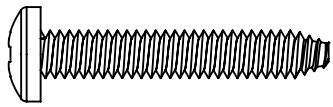
www.omcbbq.com

1

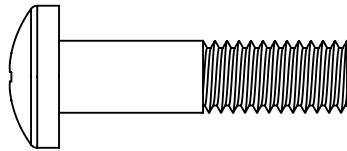


2

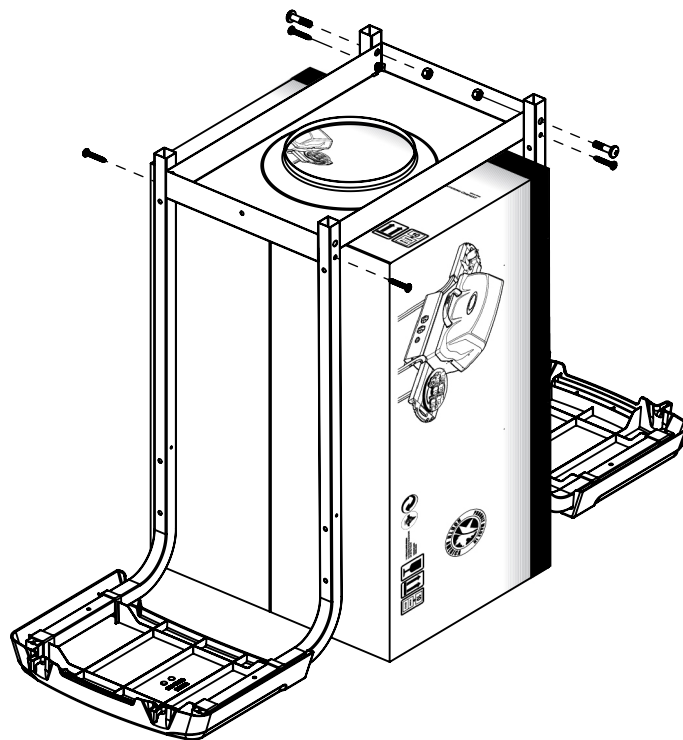
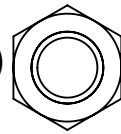
(4)



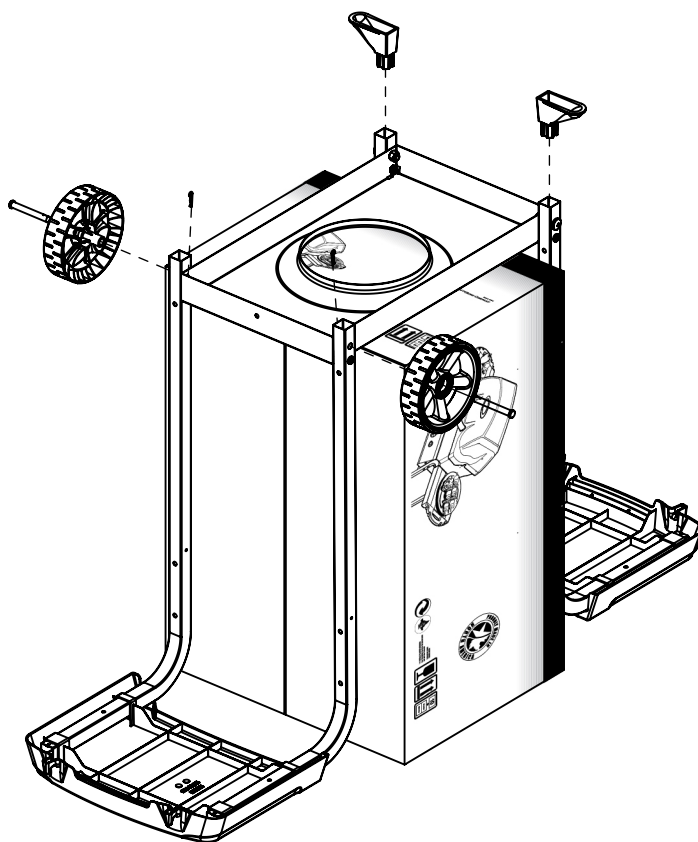
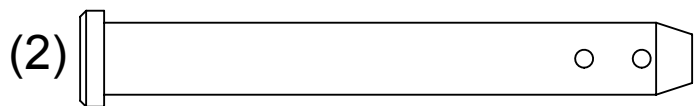
(2)



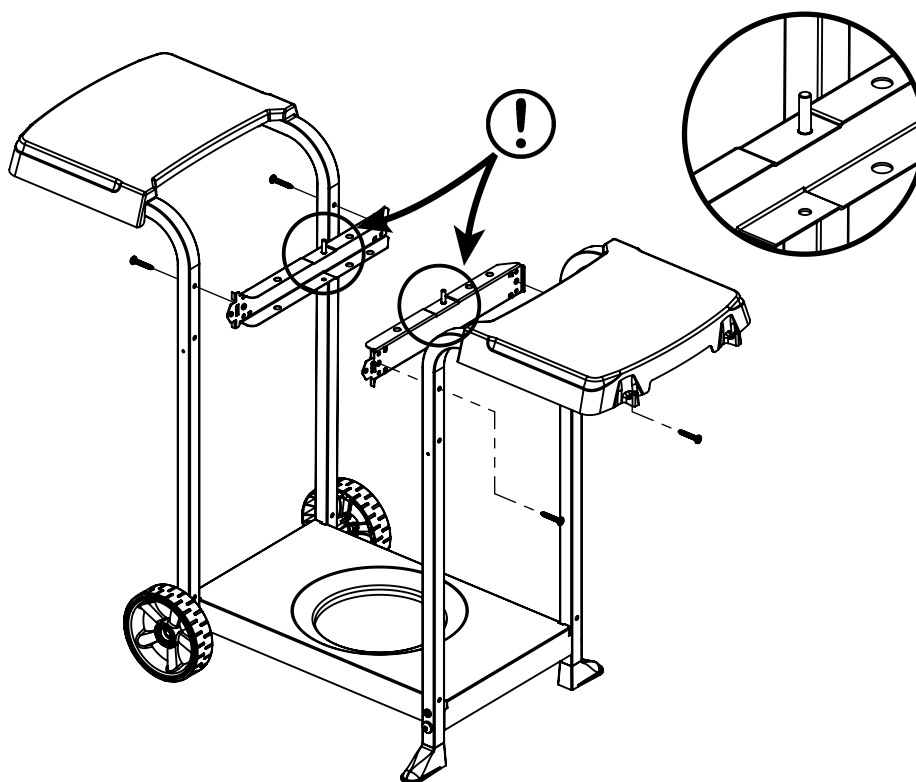
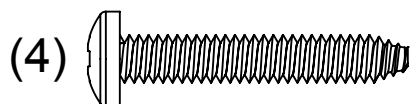
(2)



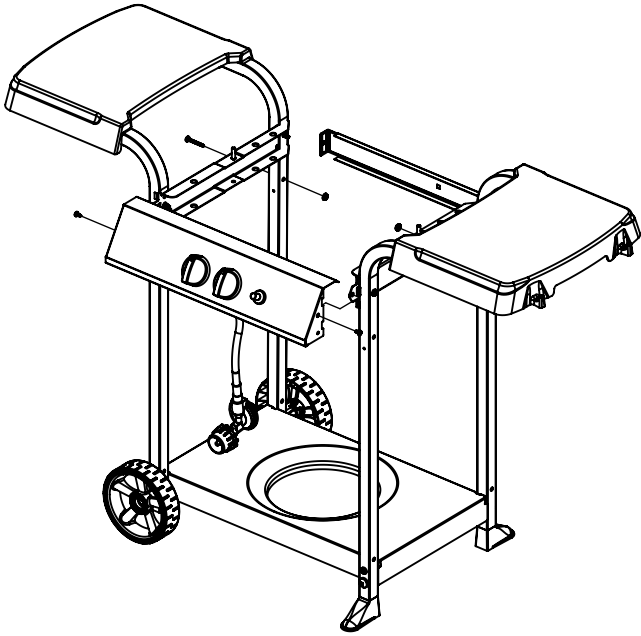
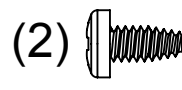
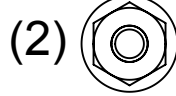
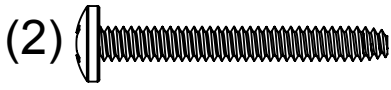
3



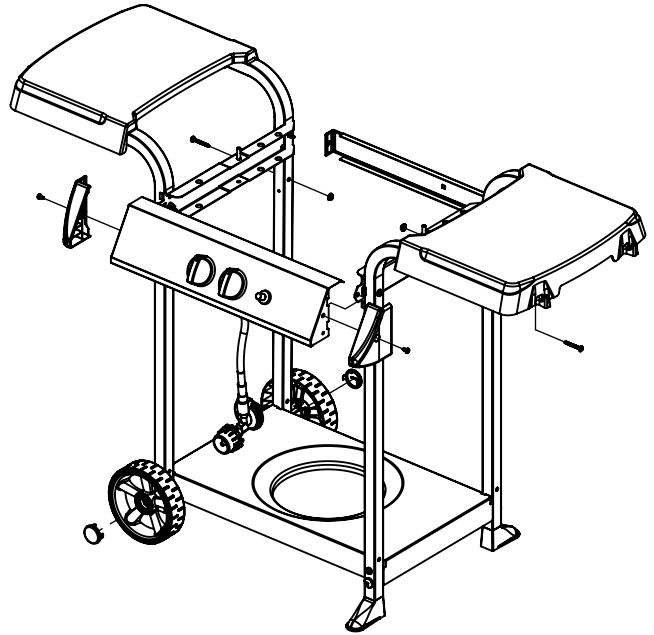
4



5

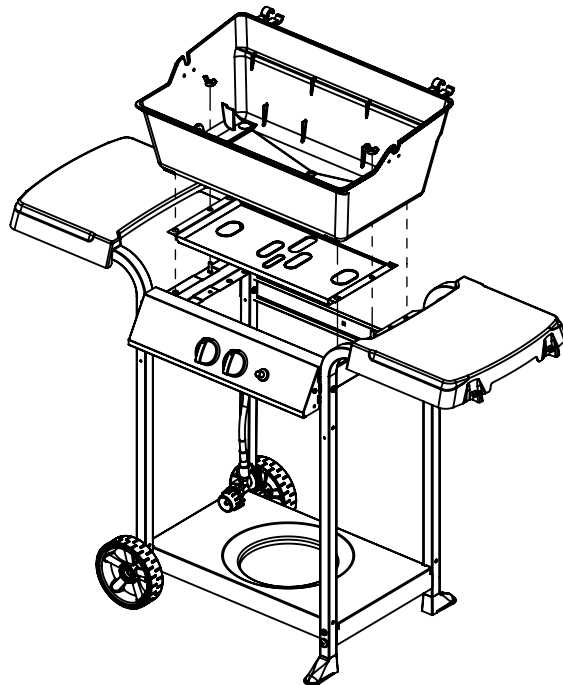
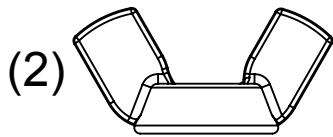


24025HNT
24025HNTW

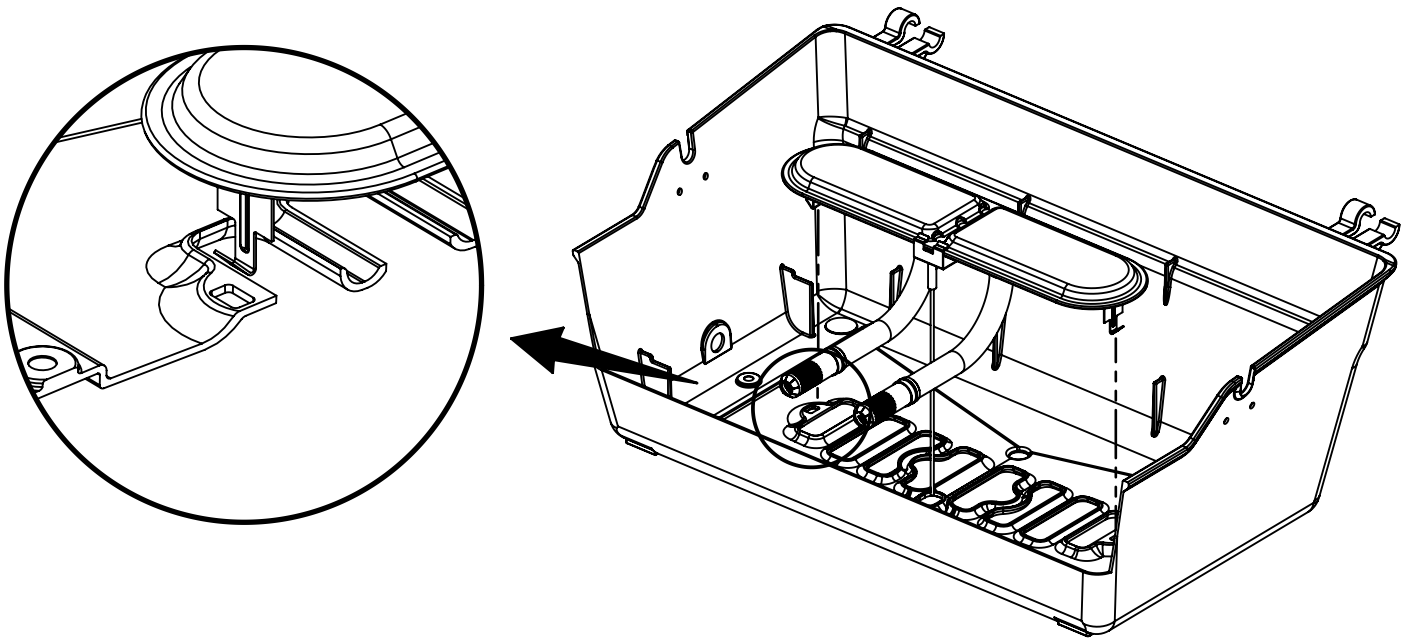


30030HNT

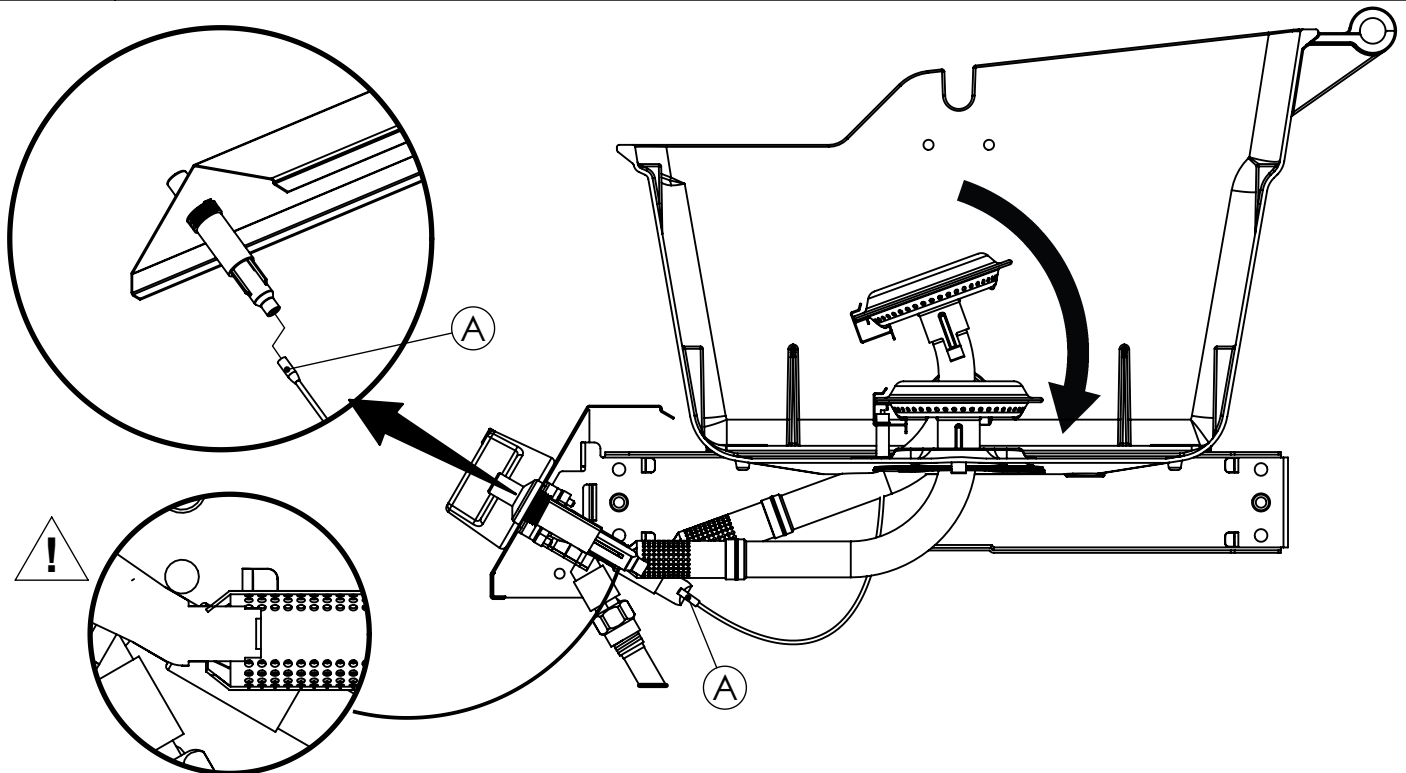
6



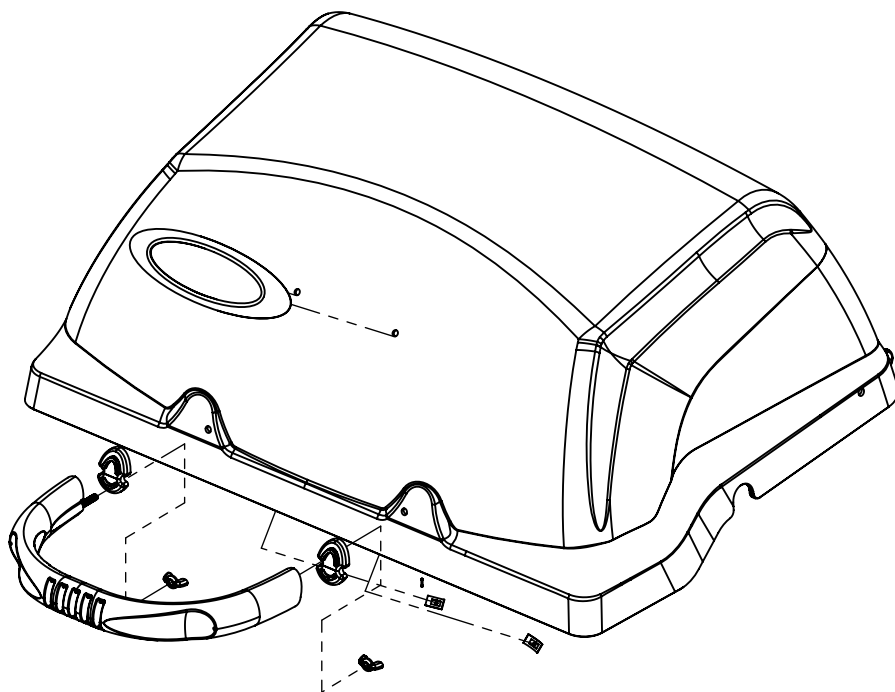
7



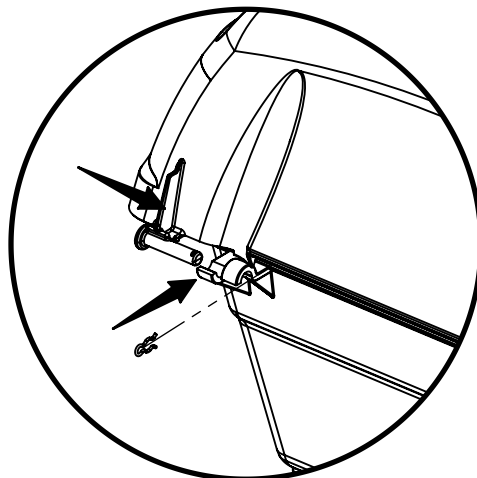
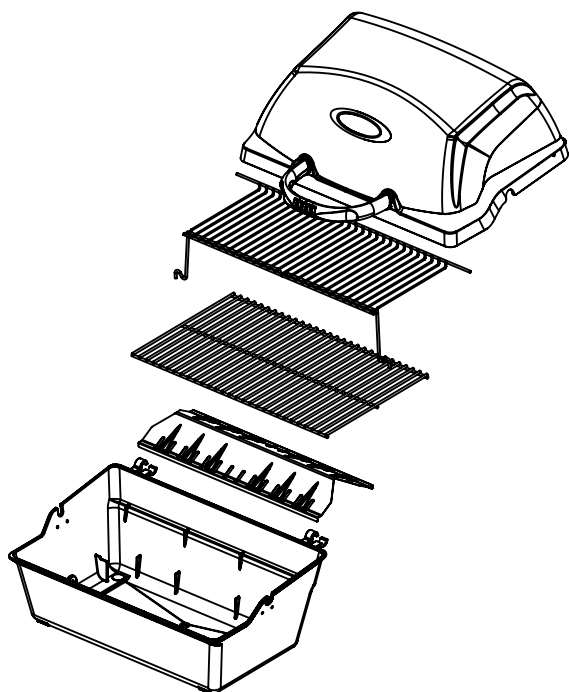
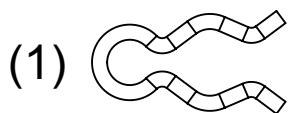
8



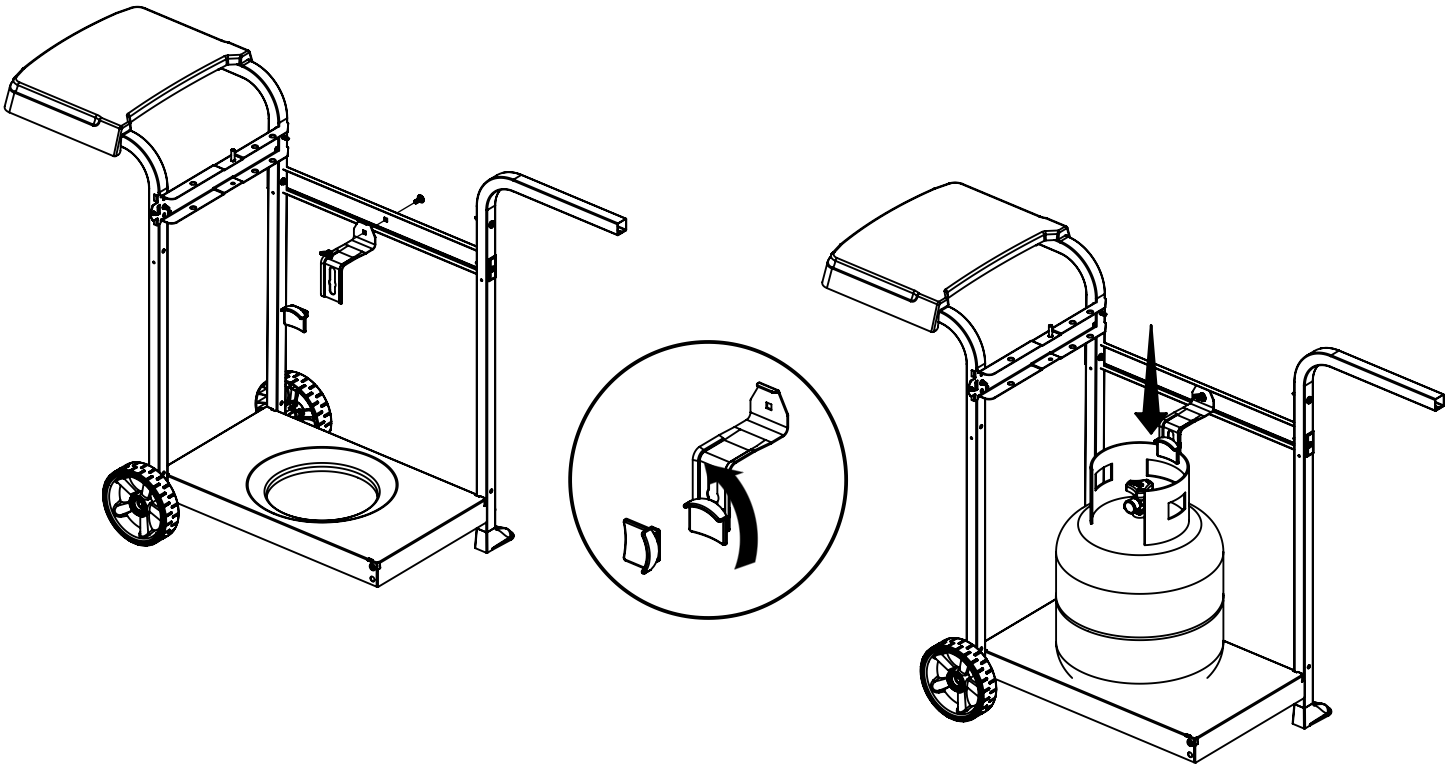
9



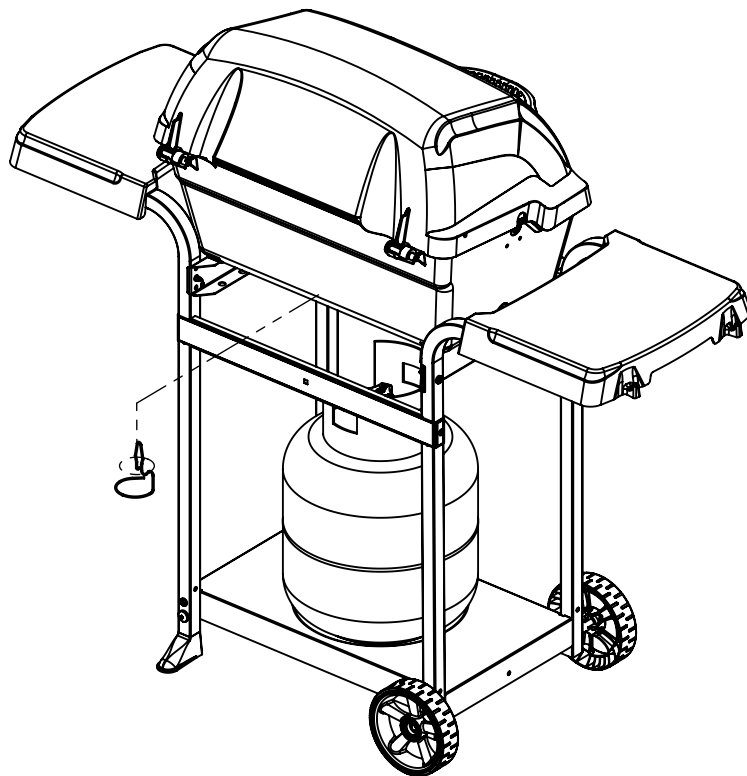
10



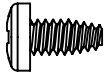
11



12



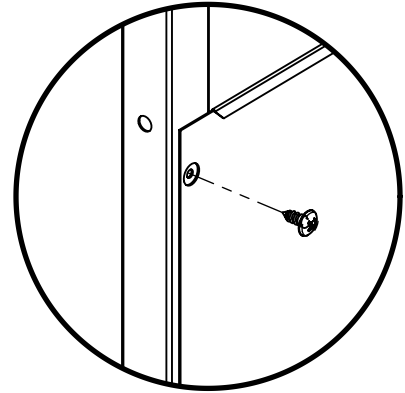
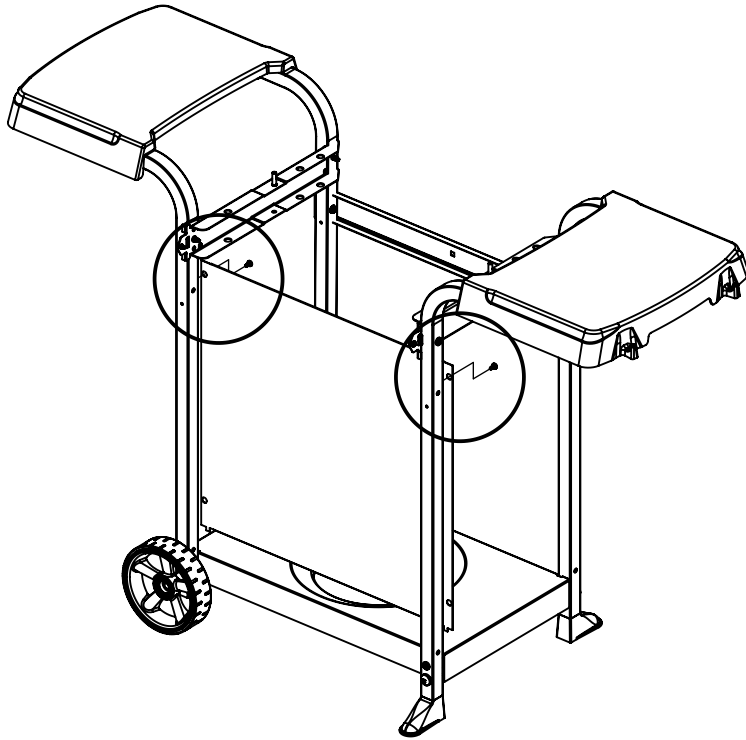
13

(2) 

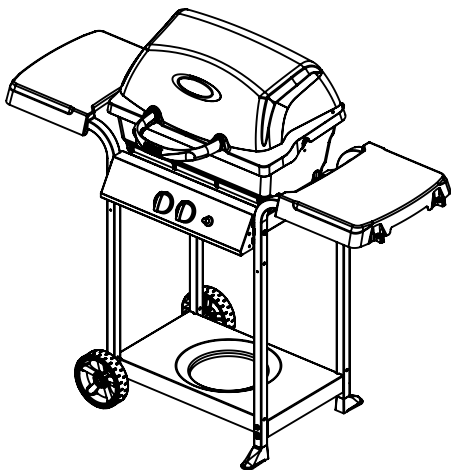


24025HNTW

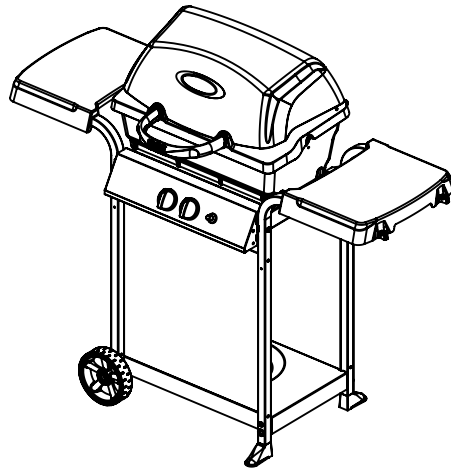
30030HNT



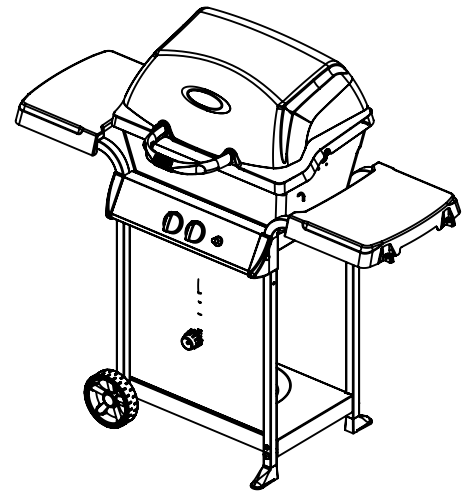
14



24025HNT



24025HNTW



30030HNT

<u>ITEM #</u>	<u>PART #</u>	<u>DESCRIPTION</u>	<u>DESCRIPTION</u>	<u>24025HNT</u>	<u>24025HNTW</u>	<u>30030HNT</u>
1	SM5010-1B	CASTING TOP	COUVERCLE DU GRILL	1	1	-
	10473-E301			-	-	1
2	SM43-2B	CASTING BOTTOM	FOND DU FOYER	1	1	-
	SM5003-2B			-	-	1
3	10081-F607	NAMEPLATE	PLAQUE D'IDENTIFICATION	1	1	1
4	SP5021-3	GRID-WARMING RACK	GRILLE	1	1	-
	SP5022-3			-	-	1
5	SP124A-3	GRID	GRILLE	1	1	-
	SP43A-3			-	-	1
6	SM5072-9	FLAV-R-WAVE	FLAV-R-WAVE	1	1	1
7	SM191A-12	BURNER ASM	ENSEMBLE DE BRULEUR	1	1	-
	SM190A-12			-	-	1
8	SP5016-20	ELECTRODE	ELECTRODE	1	1	1
9	SP5038-19B	LID HANDLE	POIGNEE	1	1	-
	SP5039-192			-	-	1
10	SP5001-40	CASTING STANDOFF	SUPPORT DE GUIDON	2	2	2
20	SM5401-42B	CONTROL COVER	PANNEAU DE CONTROLE	1	1	1
21	10440-F244	CONTROL ASM LP	SOUPAPE	1	1	-
	10440-F304			-	-	1
22	10114-12	HOSE & REGULATOR LP - QCC1	YUYAU ET REGULATEUR PL - QCC1	1	1	1
23	10472-K37	CONTROL KNOB	BOUTON DE CONTROL	2	2	-
	10472-E432			-	-	2
24	10342-21	IGNITOR	ALLUMEUR	1	1	1
26	10711-E30	CONTROL COVER - ENDCAP - LEFT	PANNEAU DE CONTROLE - BOUCHON - GAUCHE	-	-	1
27	10711-E29	CONTROL COVER - ENDCAP - RIGHT	PANNEAU DE CONTROLE - BOUCHON - DROITE	-	-	1
30	SM5069-9	HEAT SHEILD	PROTECTION LA CHALEUR	1	1	1
32	SM5038-8B	BENT LEG	JAMBE COUDÉE	4	4	4
35	SM5397A-42B	SUPPORT CASTING LEFT	SUPPORT DU FOYER GAUCHE	1	1	1
36	SM5398A-42B	SUPPORT CASTING RIGHT	SUPPORT DU FOYER DROIT	1	1	1
39	SM5004A-6B	BRACE - UPPER REAR	SUPPORT ARRIERE	1	1	1
40	10711-E401R	BASE	BASE	1	1	1
46	SM5066-6B	BRACKET - CYLINDER LP	SUPPORT DU RESERVOIR PL	1	1	1
47	SP21-6	CYLINDER CLAMP	CYLINDER DE SERRAGE	1	1	1
50	10711-F25	SHELF - SIDE	PLANCHETTE LATERALE	2	2	2
54	10956-E601	FRONT PANEL	PANNEAU AVANT	-	1	1
56	10892-608	WHEEL	ROUE	2	2	2
57	32001-152	WHEEL CAP	ROUE BOUCHON	-	-	2
77	S15111	GREASE CUP HOLDER	PORTE CONTENANT A GRAISSE	1	1	1
78	11494-148	LEG PLUG	PLUG JAMBE	2	2	2
80	SP25-16	1/4-20 WING NUT	ECROU PAPILLON 1/4-20	2	2	2
81	Y-11560	BOLT 1/4-20 x 1 1/2	BOULON 1/4-20 x 1 1/2	8	8	8
83	SP5021-18	CARRIAGE BOLT 1/4-20 x 5/8	BOULON 1/4-20 x 5/8	1	1	1
85	Y-11214	TINNERMAN CLIP	CLIP TINNERMAN	2	2	2
88	Y-11598	WING NUT 1/4-20	ECROU PAPILLON 1/4-20	1	1	1
91	Y-11968	SCREW 3/8-16 x 1 3/4	VIS 3/8-16 x 1 3/4	2	2	2
92	Y-12285	NUT 3/8	ECROU 3/8	2	2	2
93	Y-29320	SCREW 10-24 x 1 3/4	VIS 10-24 x 1 3/4	2	2	2
94	32010190	SCREW 10-24 x 1/2	VIS 10-24 x 1/2	4	4	4
95	Y-29304	SCREW 10-24 x 3/8	VIS 10-24 x 3/8	2	2	2
96	S21061	WING NUT 10-24	ECROU PAPILLON 10-24	2	2	2
97	10240-13	PIN	GOUPILLE	2	2	2
98	S21233	COTTER PIN	GOUPILLE	2	2	2
99	SP5007-15	CLIP	CLIP	1	1	-
	SP5004-15			-	-	1
101	SP23-16	NUT 10-24	ECROU 10-24	2	2	2

