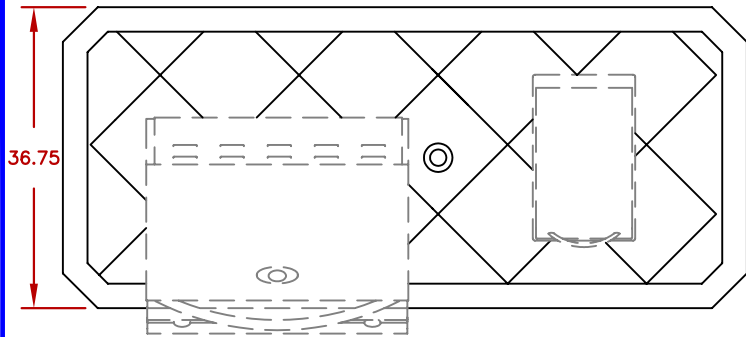
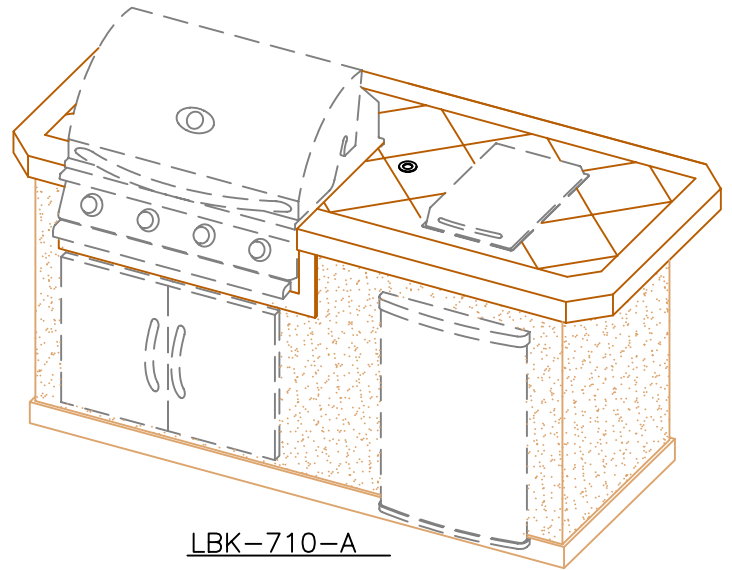


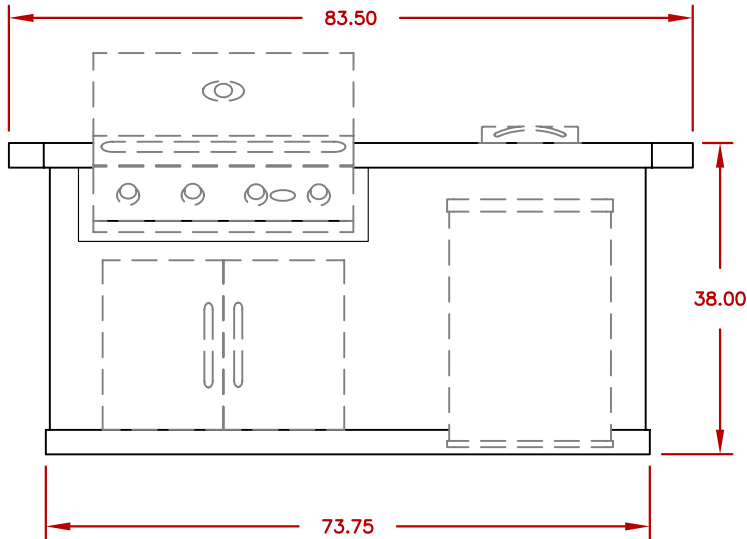
|       |          |
|-------|----------|
| LINE  | BBQ LINE |
| MODEL | LBK710-A |
| REF.  |          |



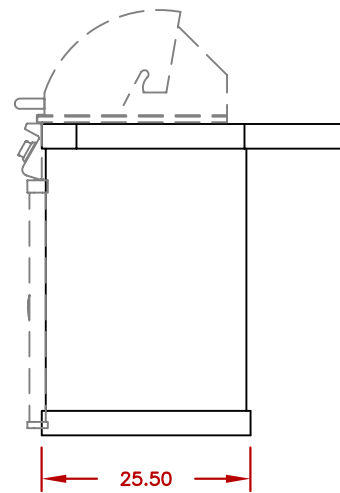
TOP VIEW



LBK-710-A



FRONT VIEW



SIDE VIEW

STANDARD FEATURES

| QTY. | SYMB. | DESCRIPTION                             |
|------|-------|---|
| -    | (A)   | PORCELAIN TILE 12 X 12 (FIELD) (BORDER) |
| -    | (B)   | AMERISTONE STUCCO                       |
| -    | (C)   | 3" BOTTOM TRIM (TILE ONLY)              |
| 1    | (D)   | 4 BURNER G4 LP                          |
| 1    | (E)   | STD. SIDE BURNER BURNER LP              |
| 1    | (G)   | 30" DOUBLE ACCESS DOOR                  |
| 1    | (H)   | SST REFRIGERATOR                        |
| 1    | (U)   | UMBRELLA HOLE                           |



TITLE  
2016 BARBECUE LINE  
LBK SERIES  
LBK710-A

SCALE:

DWG NO.

DWG BY

G.GARCIA

REVISED

REV. DESCR.

DATE

2/2/16

NOTE:  
DUE TO OUR CONTINUOUS IMPROVEMENT PROGRAM, ALL MODELS  
AND SPECIFICATIONS ARE SUBJECT TO CHANGE WITHOUT NOTICE.