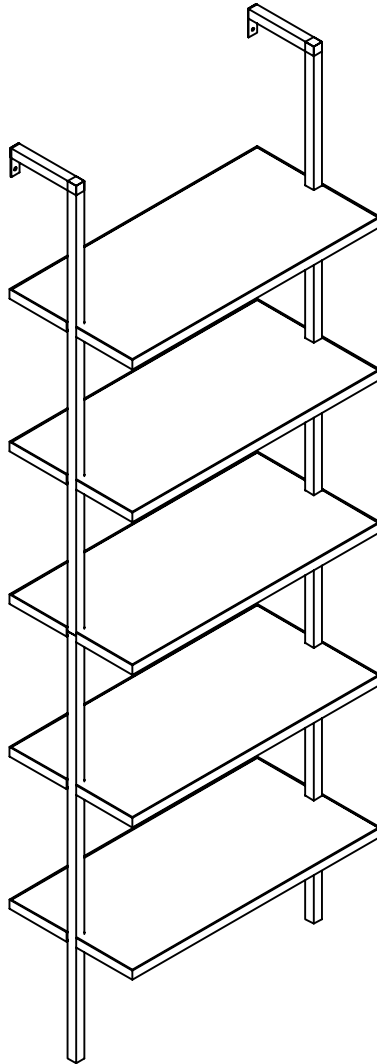


# NATHAN JAMES



Product name

---

Contact

---

## Theo Bookcase

21-0127

Toll-free at 1-866-619-1004  
Help@nathanjames.com  
Nathanjames.com/help

# Ok, let's get rolling

This should be easy, just follow our instructions and you will be back to Netflix in no time.

## Estimated time for assembly



25:00

## What you need

- Some of your favourite bubbly or your preferred relaxant
- Use the packaging carton as a working surface to prevent product damage during assembly
- Phillips head screwdriver (not included)
- Drill - 1/4" Drill bit (not included)

## Weight Limitation



50  
lbs per shelf

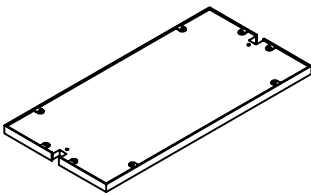
## What's included

Code	Description	Qty
A	Shelves	5
B	Top wall mount frame support	1
C	Top wall mount frame support	1
D	Bottom frame support	1
E	Bottom frame support	1
1	Bolt M6*12MM	14
2	Screw M4.2*32MM	2
3	Wall Anchor	2
4	Allen Key	1

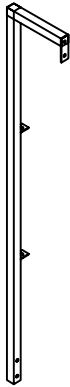
Toll-free at 1-866-619-1004  
Help@nathanjames.com  
Nathanjames.com/help

# The goods

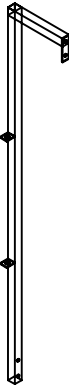
A



B



C



D



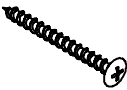
E



1



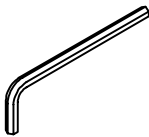
2



3



4

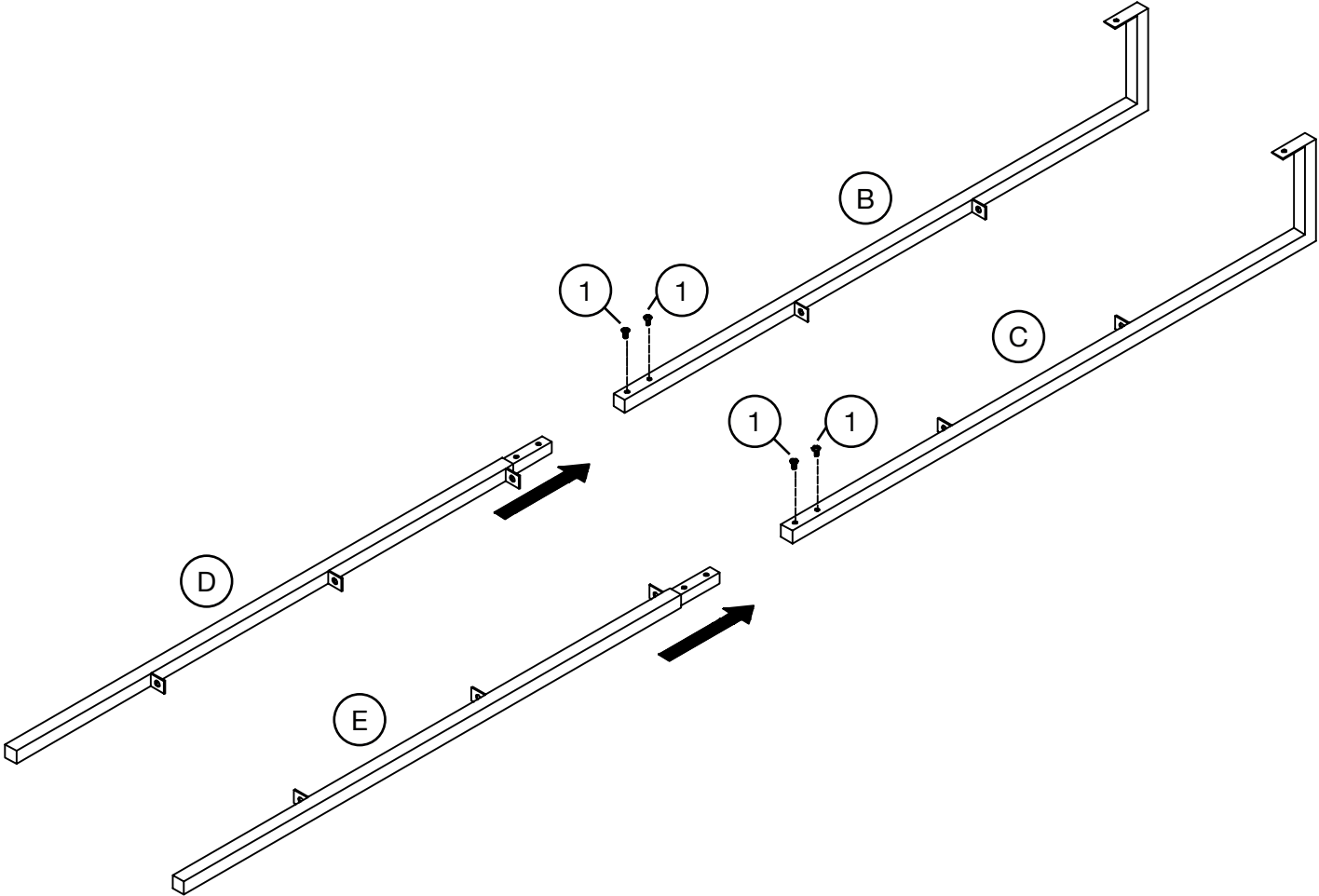


**IMPORTANT:**

- 1. Do not tighten bolts / screws completely until all bolts / screws are lined up and inserted into holes.
- 2. Do not over tighten screws and bolts to avoid stripping.
- 3. Please use hand tools to assemble this product. Do not use power tools.

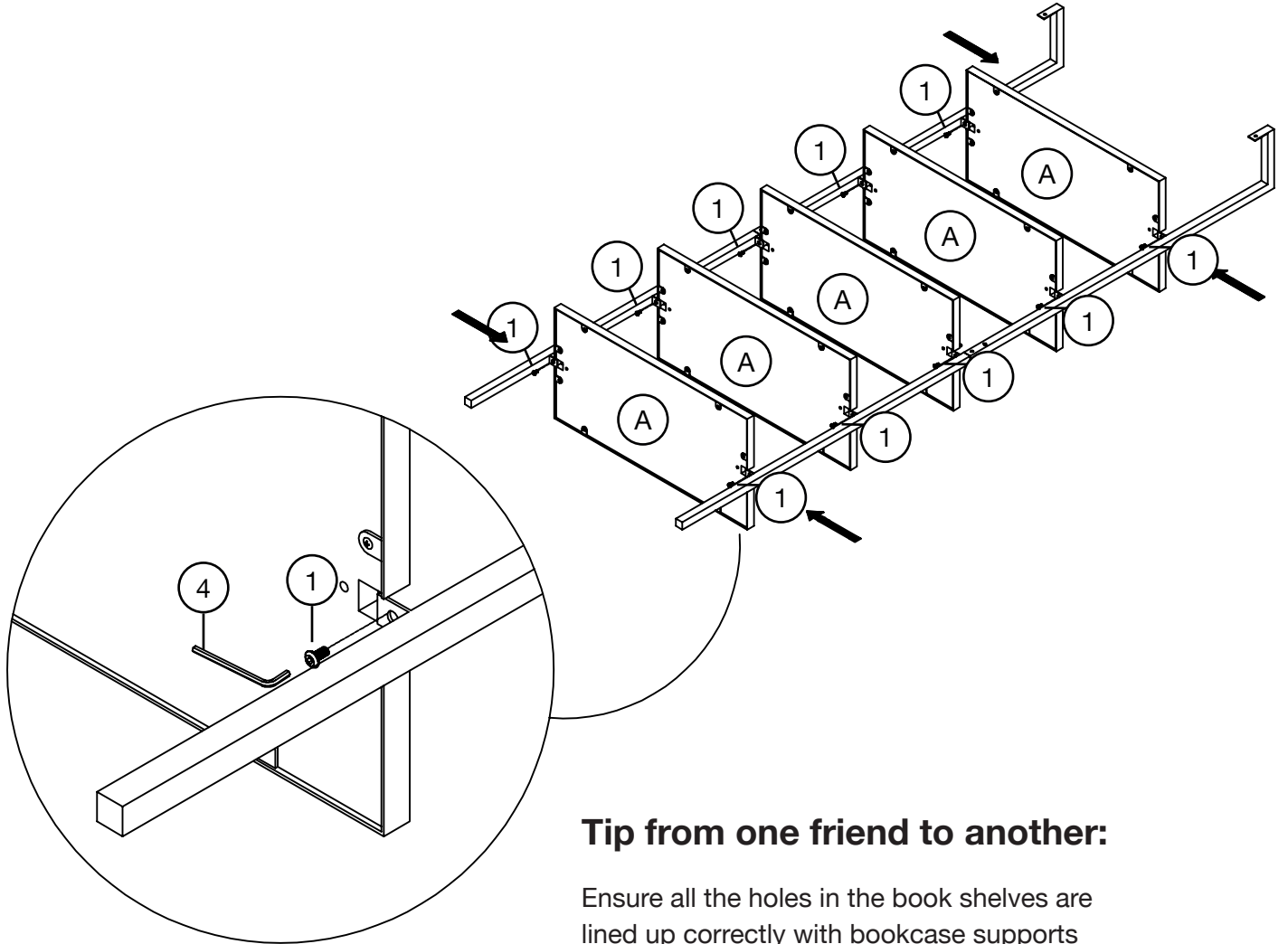
# Step 1

Lay down packaging carton or carpet as a working surface. Insert part D & E into Part B & C. Secure bolts with Allen wrench.



# Step 2

Place the top shelf first, then the last shelf.  
This way it will balance easier for you.

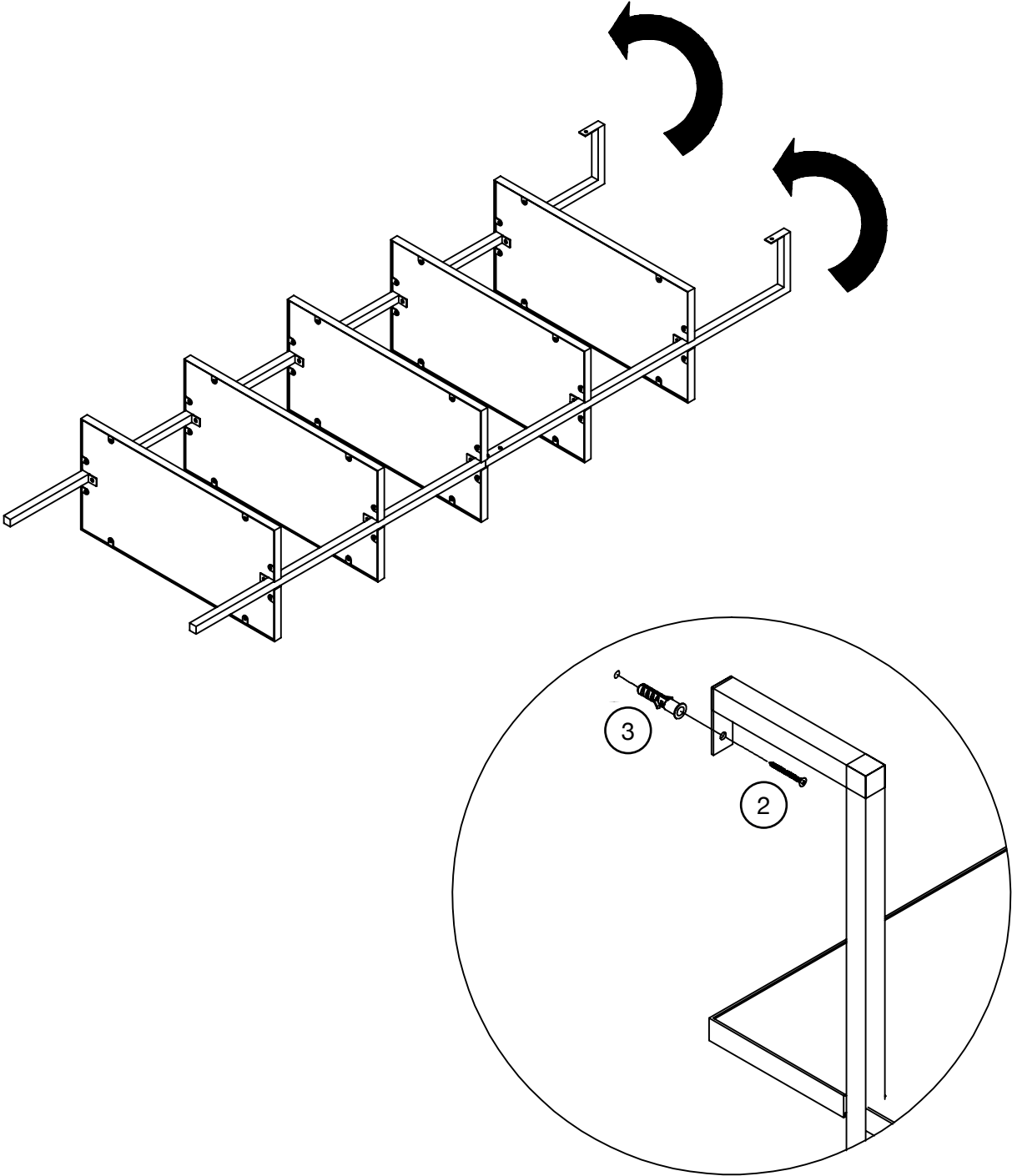


## Tip from one friend to another:

Ensure all the holes in the book shelves are lined up correctly with bookcase supports before tightening any shelves.

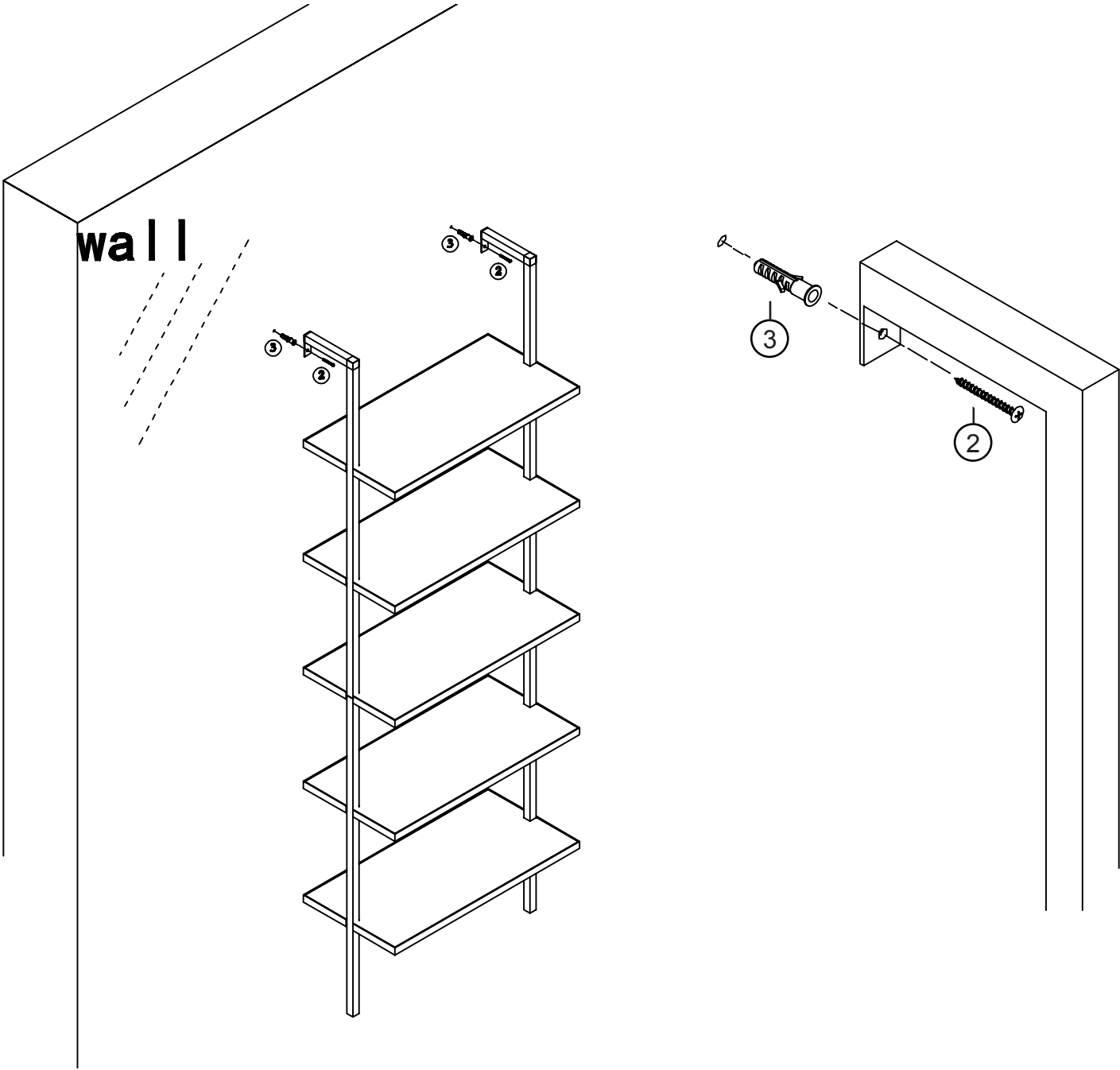
# Step 3

We're all about individualism, but the next step requires 2 adults so there's no shame in your game - don't hurt yourself and ask for help.



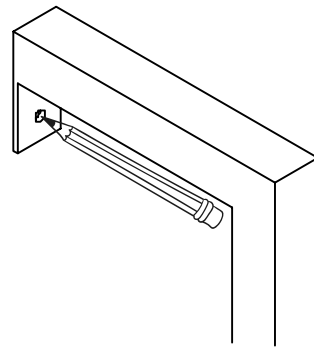
# Step 4

Ok, we will admit this is our least favorite step also. At one point, you may find the last step tricky but it's worth the patience/20 second meltdown - because everything will look SO clean at the end... you'll forget all about the assembly!



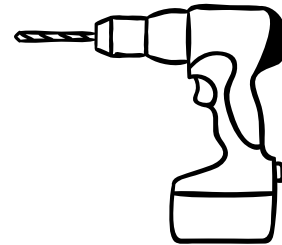
# Mark it

Chose your desired location on the wall, have your friend hold the bookcase in place and use a pencil to mark where the anchor will go.



# 1/4" Drill bit

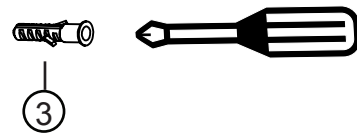
Move bookcase to the side and following the mark you just made. With a 1/4" drill bit, drill 2 holes into the wall.



# Phillips screwdriver

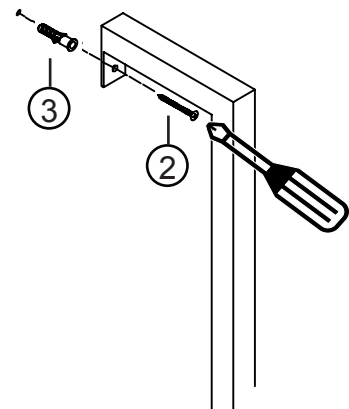
Following the mark you just made. Using your Phillips head screw driver, screw the plastic anchors into the holes until they are flush to the wall.

*If you're feeling strong, just go ahead and push it in.*

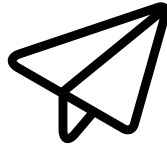


# All about the angle

Insert 1 screw through each metal bracket and into the drywall anchor. Tilt your Phillips head screwdriver, and secure but do not over tighten. YOU'RE ALL DONE! Time for Netflix!







# No heartburn, when we handle the return

---

Give us a call **1-866-619-1004** or shoot us a message at **help@nathanjames.com** we will issue you a free replacement with **zero hassle**.

## Our way

---



Give us a call



Replacement



You

---

## Their way

---



Re-package item



Schedule pick up



Track package



Replacement



You

---

We really don't want you to go through the hassle of re-packaging your item and sending it back, because let's be honest...nobody has time for that.

# Safety first, fun later

---

We want your Theo Bookcase to last as long as possible, so we recommend that you tighten the screws 2 weeks after assembly and for added safety check the tightness of all screws every 2 months.

For proper care and treatment of wood and metal please check our website at [NathanJames.com/products](http://NathanJames.com/products)

## **Safe use of this product starts with you.**

Use this bookcase responsibly with the primary concern for your safety. Follow assembly instructions carefully and inspect product upon receipt and each use.

Nathan James and its parent companies cannot be held legally responsible for any injuries or death resulted from failure to follow instructions or improper use of this product.

## **Do not modify the structure of this product in any way:**

Our products have been tested to meet specific safety measures as they were originally intended to be sold. Any modifications will present the risk of creating significant safety issues which NJ will not be responsible for.

## Proper Use

---

- DO NOT** use for commercial purposes
- DO NOT** climb bookcase
- DO NOT** use exceed weight limit
- DO NOT** leave spilled liquid on shelves
- DO NOT** use bookcase if damaged
- DO NOT** make temporary repairs
- DO NOT** use outdoors

# We are only in business if you're happy

---

For starters,  
thanks for being you.

☎ Toll-free at 1-866-619-1004  
✉ Help@nathanjames.com  
🌐 NathanJames.com/help

We do our best to ensure your furniture arrives without any problems, but occasionally mistakes happen - as humans we are imperfect beings. In the event that a part is damaged or missing, we will be more than happy to provide you with replacement part(s) for free.

## Warranty

This product comes with a lifetime warranty from the date of purchase. Please use your phone to scan the QR code to register your product or visit <https://goo.gl/i9dk3q>



## Did we do alright? Please spread the love!

If you are happy with your product, tell your friends and family about us or even better leave us a review online. Spreading the word gives us the opportunity to make more people happy and keep our prices low for your next purchase.

*Brooklyn Burdon*

- Founder, Nathan James