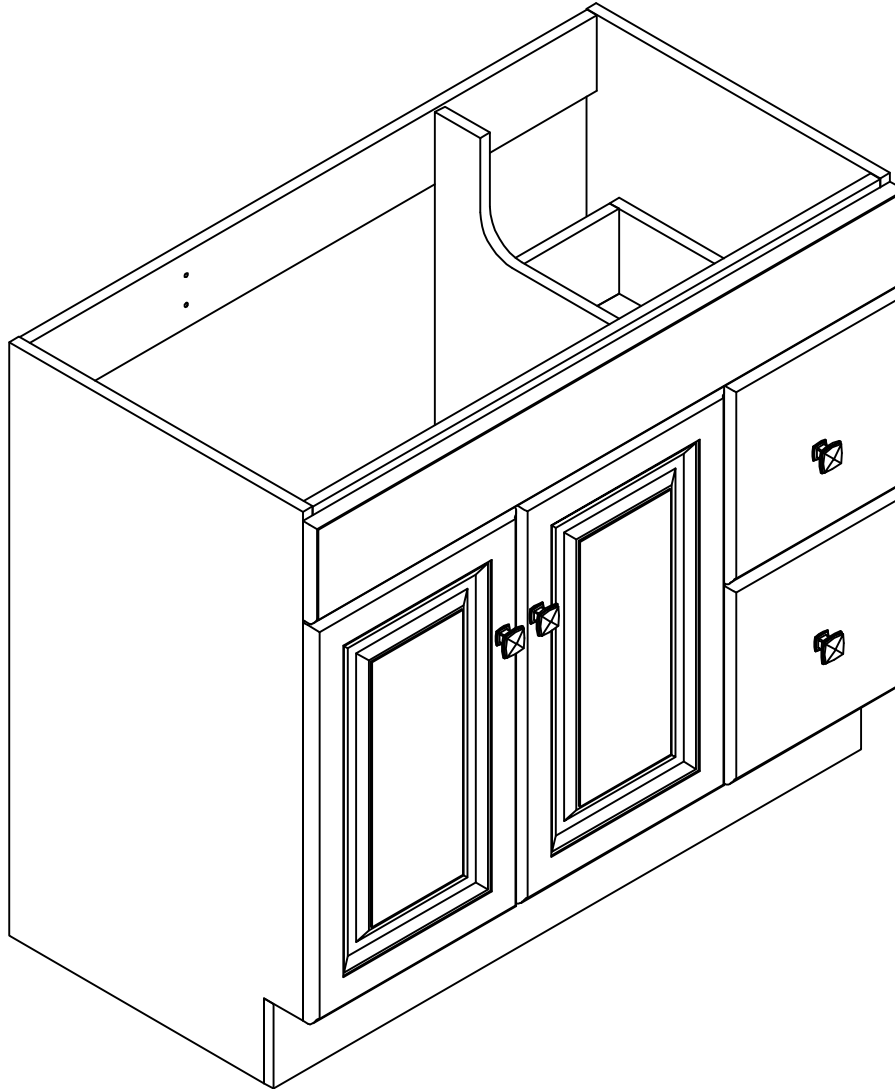




www.todaysdesignhouse.com

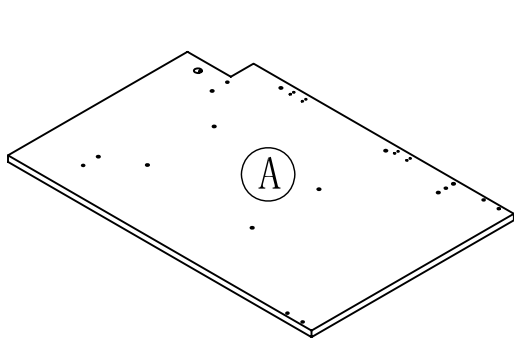


545087 • 545095

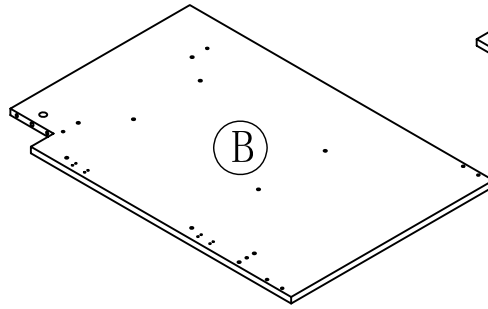
ASSEMBLY INSTRUCTIONS

DHI Corp. • 5205 W. Donges Bay Rd. • Mequon, WI 53092 • 800.558.8700

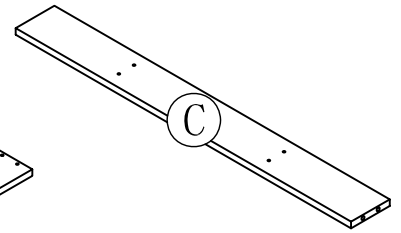
PARTS LIST:



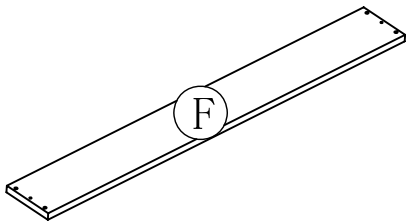
LEFT SIDE PANEL 1PC



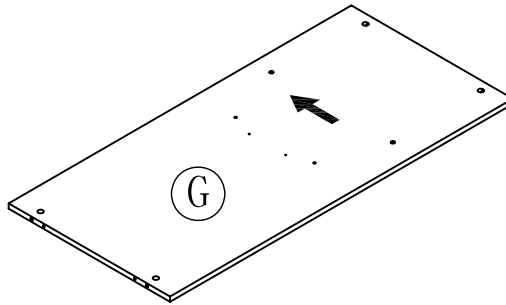
RIGHT SIDE PANEL 1PC



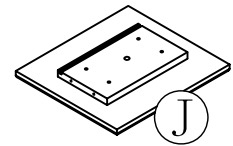
BACK CROSS BRACE 1PC



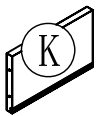
TOE KICK PANEL 1PC



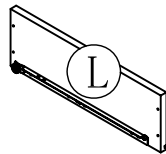
BOTTOM PANEL 1PC



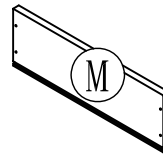
DRAWER FRONT PANEL 2PCS



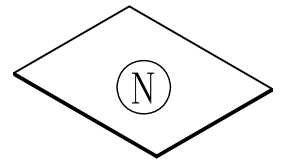
DRAWER BACK PANEL
2PCS



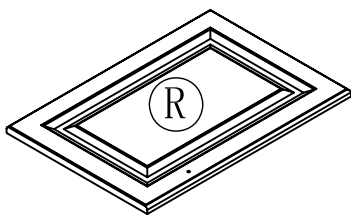
DRAWER LEFT SIDE
PANEL 2PCS



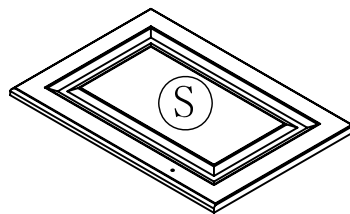
DRAWER RIGHT SIDE
PANEL 2PCS



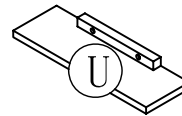
DRAWER BOTTOM
PANEL 2PCS



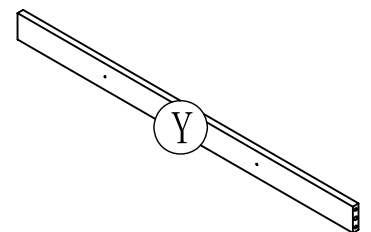
RIGHT SIDE DOOR 1PC



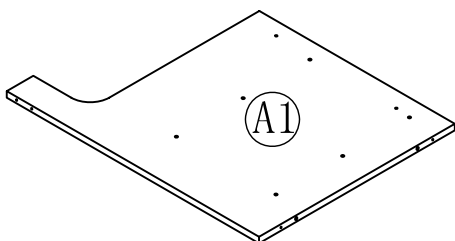
LEFT SIDE DOOR 1PC



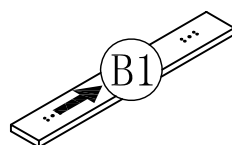
FIXED PANEL 1PC



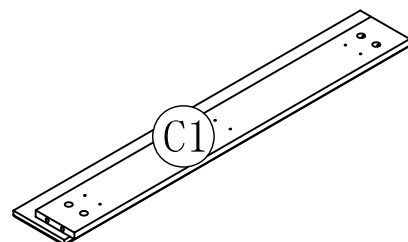
FRONT CROSS BRACE 1PC



BIG PARTITION 1PC



SMALL PARTITION 1PC

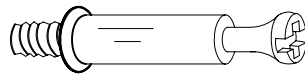


FALSE DRAWER FRONT 1PC

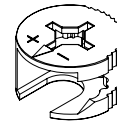
HARDWARE LIST:



a. WOOD DOWEL 16PCS



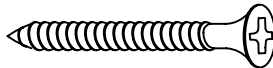
b. CAM LOCK SCREW
16PCS



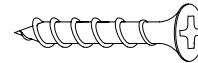
c. CAM LOCK 16PCS



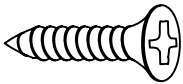
d. 1" L WOOD SCREW 6PCS



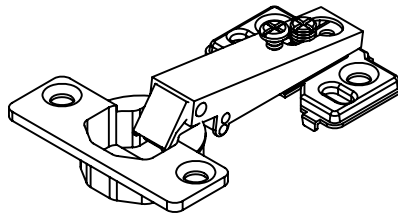
e. 1-1/2" L WOOD
SCREW 19PCS



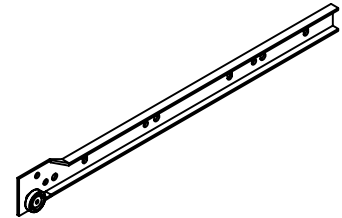
f. 5/8" L FLAT HEAD
SCREW 24PCS



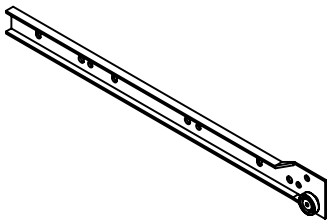
g. 1/2" L WOOD
SCREW 12PCS



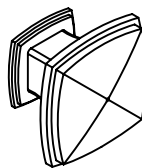
h. HINGE 4PCS



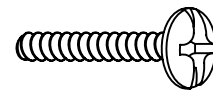
i. LEFT SIDE DRAWER
GLIDE 2PCS



j. RIGHT SIDE DRAWER
GLIDE 2PCS



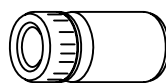
l. KNOB 4PCS



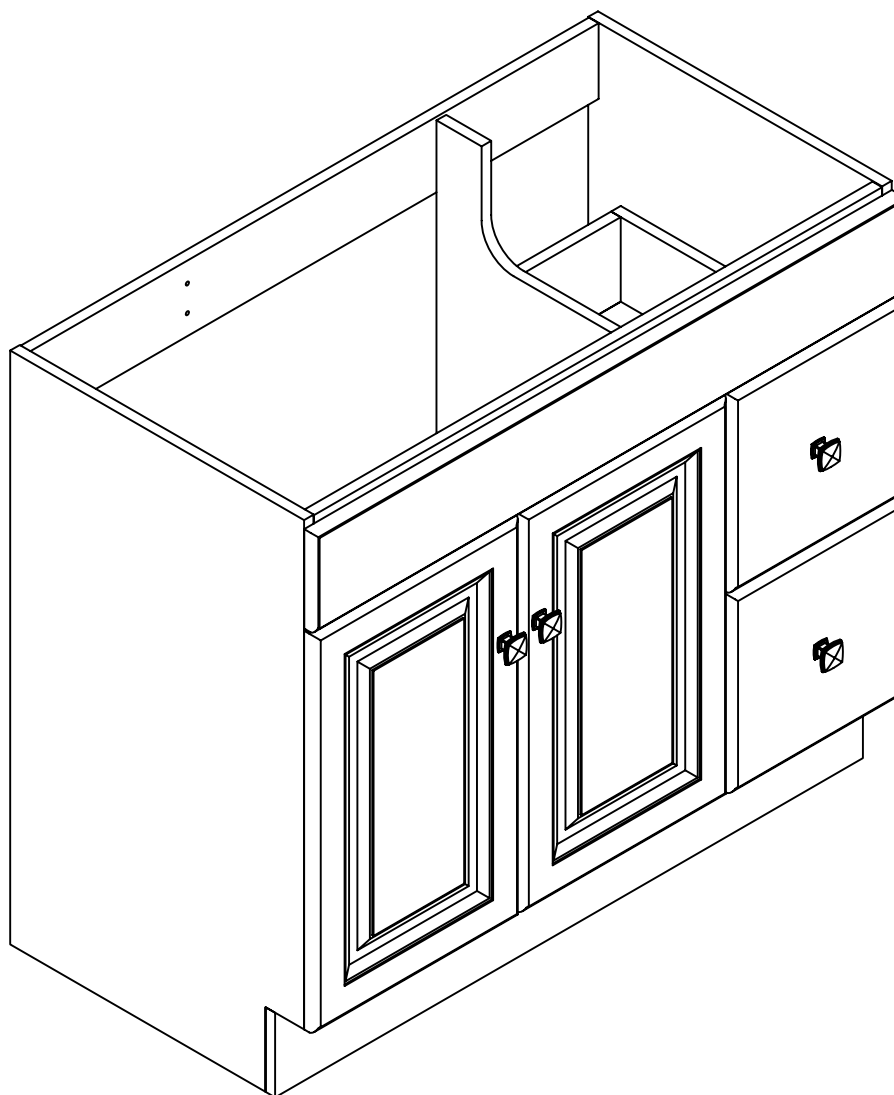
n. KNOB BOLT 4PCS



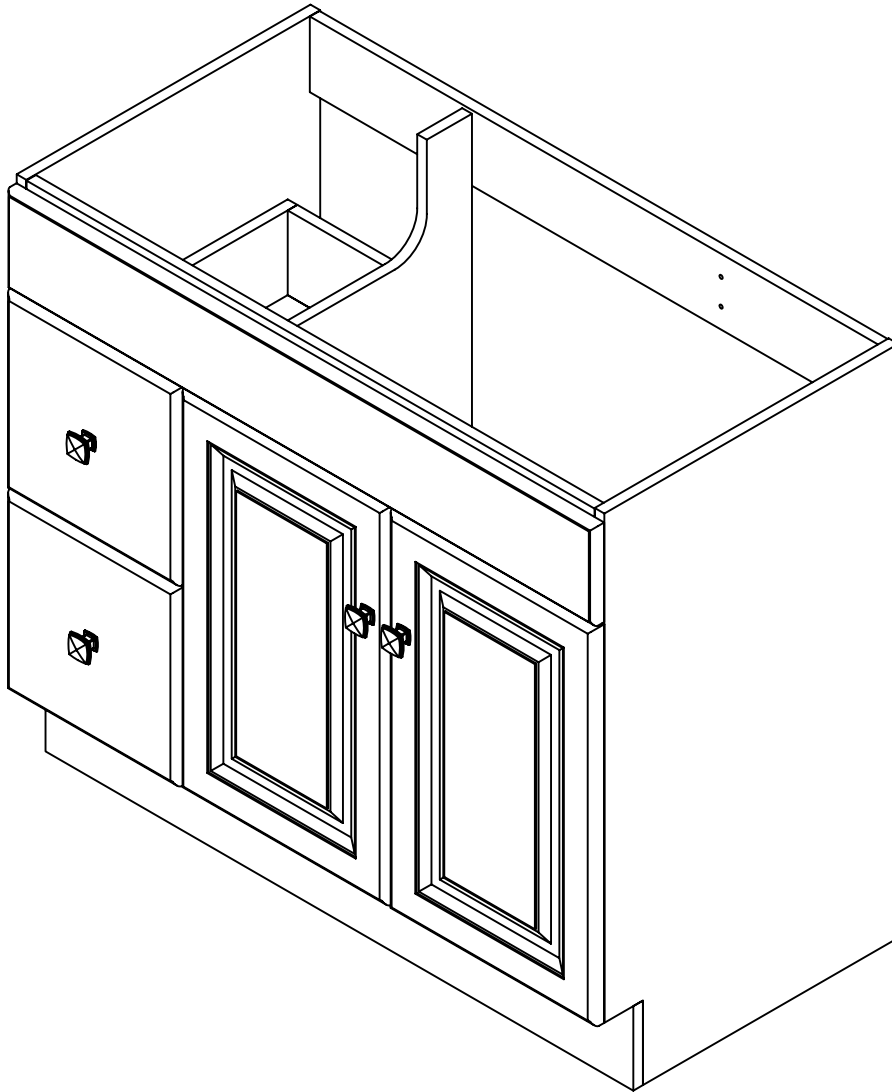
o. WRENCH 1PC



p. GLUE 1PC

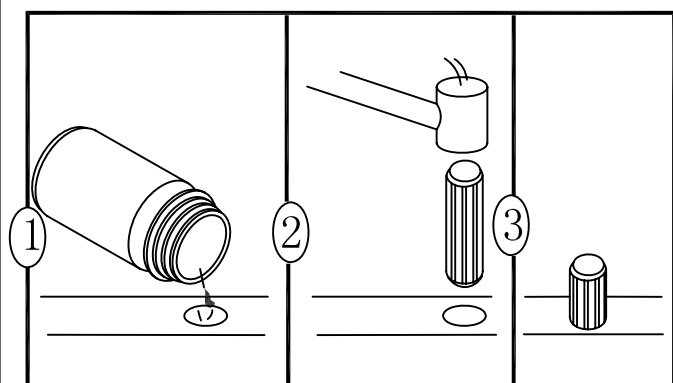
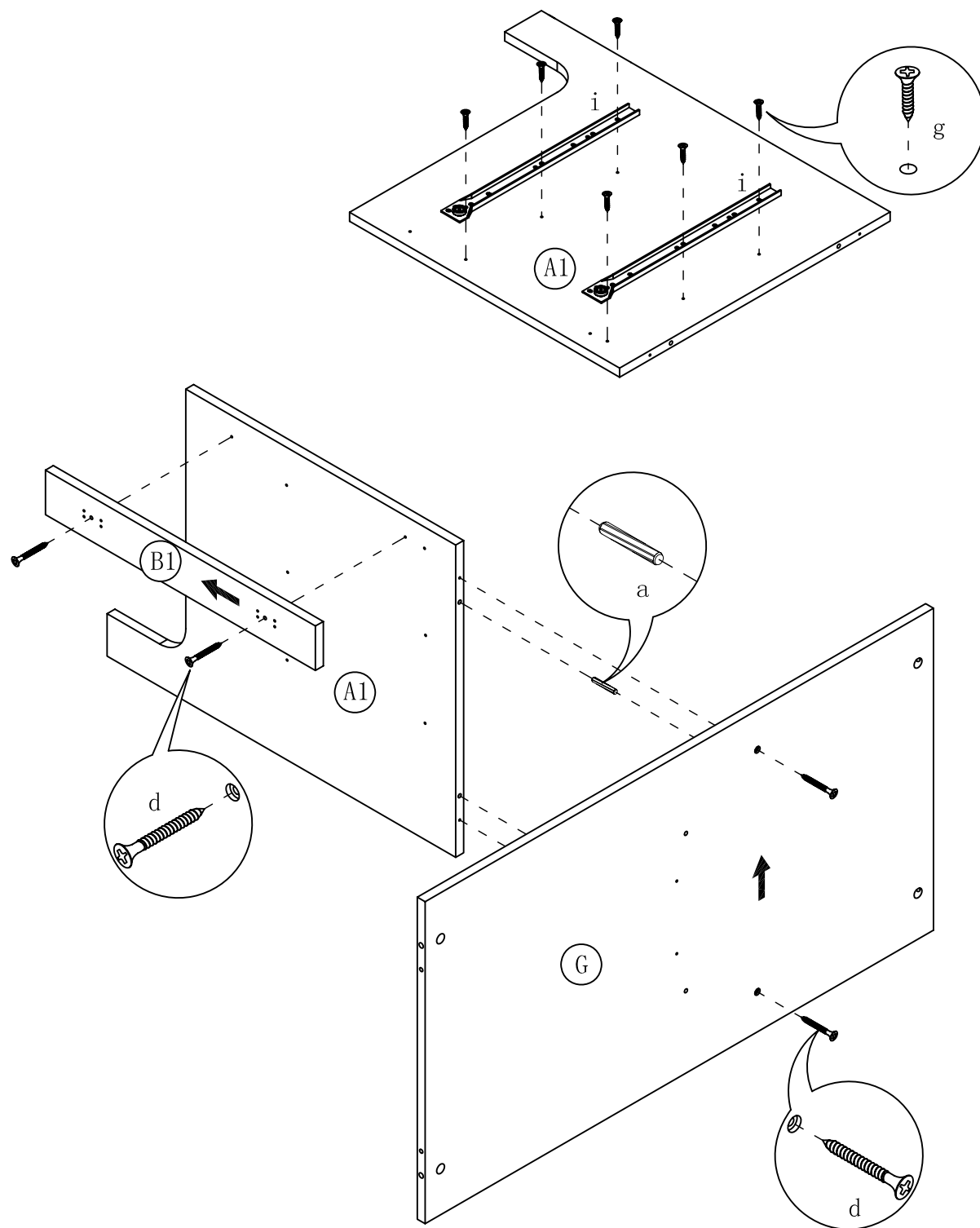


FOLLOW STEPS 1~10 TO INSTALL THE DOORS
ON THE LEFT SIDE AND THE DRAWERS ON THE
RIGHT SIDE

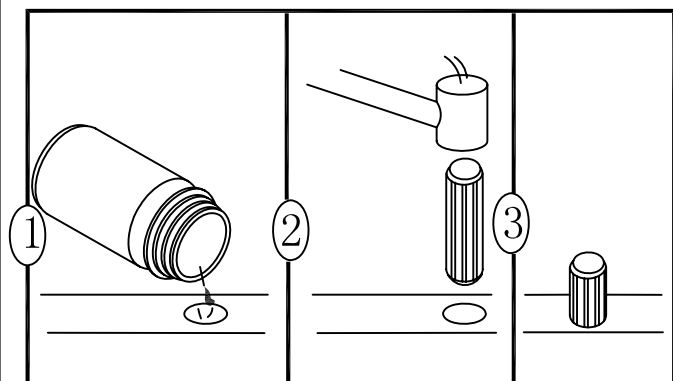
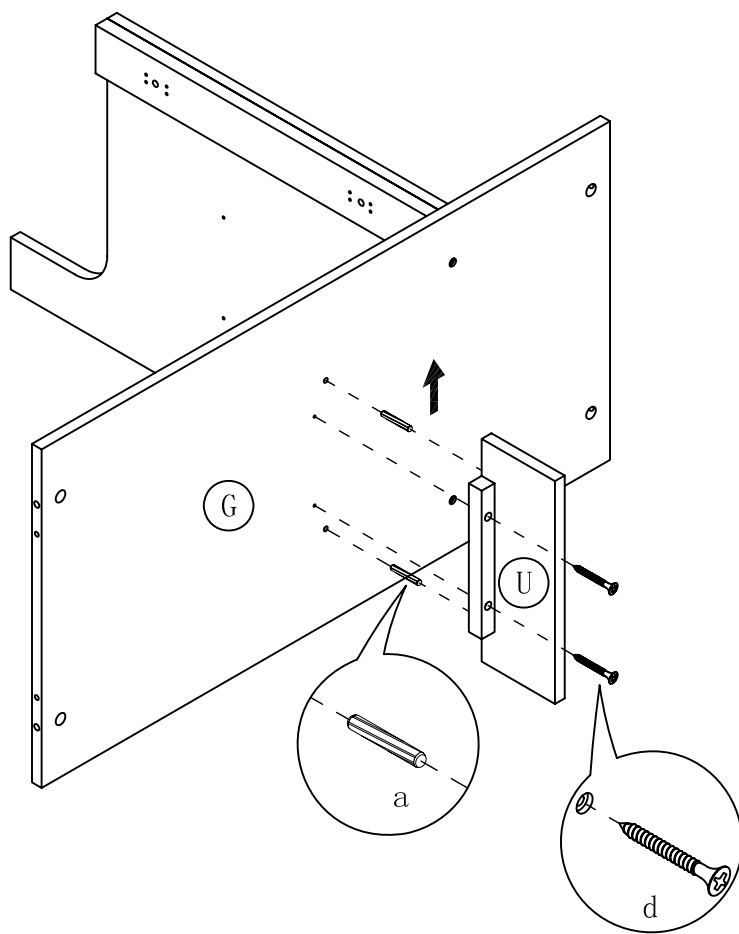


FOLLOW STEPS 11~20 TO INSTALL THE DOORS
ON THE RIGHT SIDE AND THE DRAWERS ON THE
LEFT SIDE

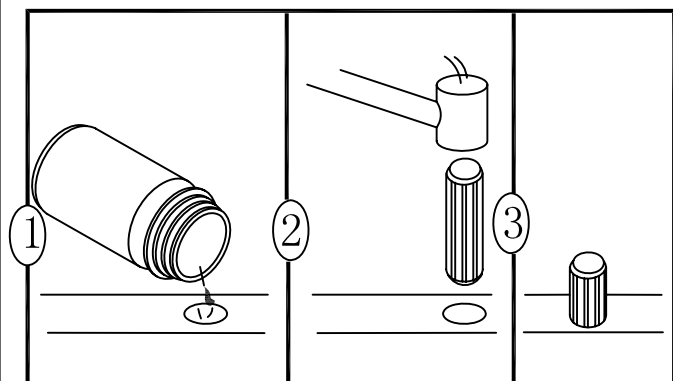
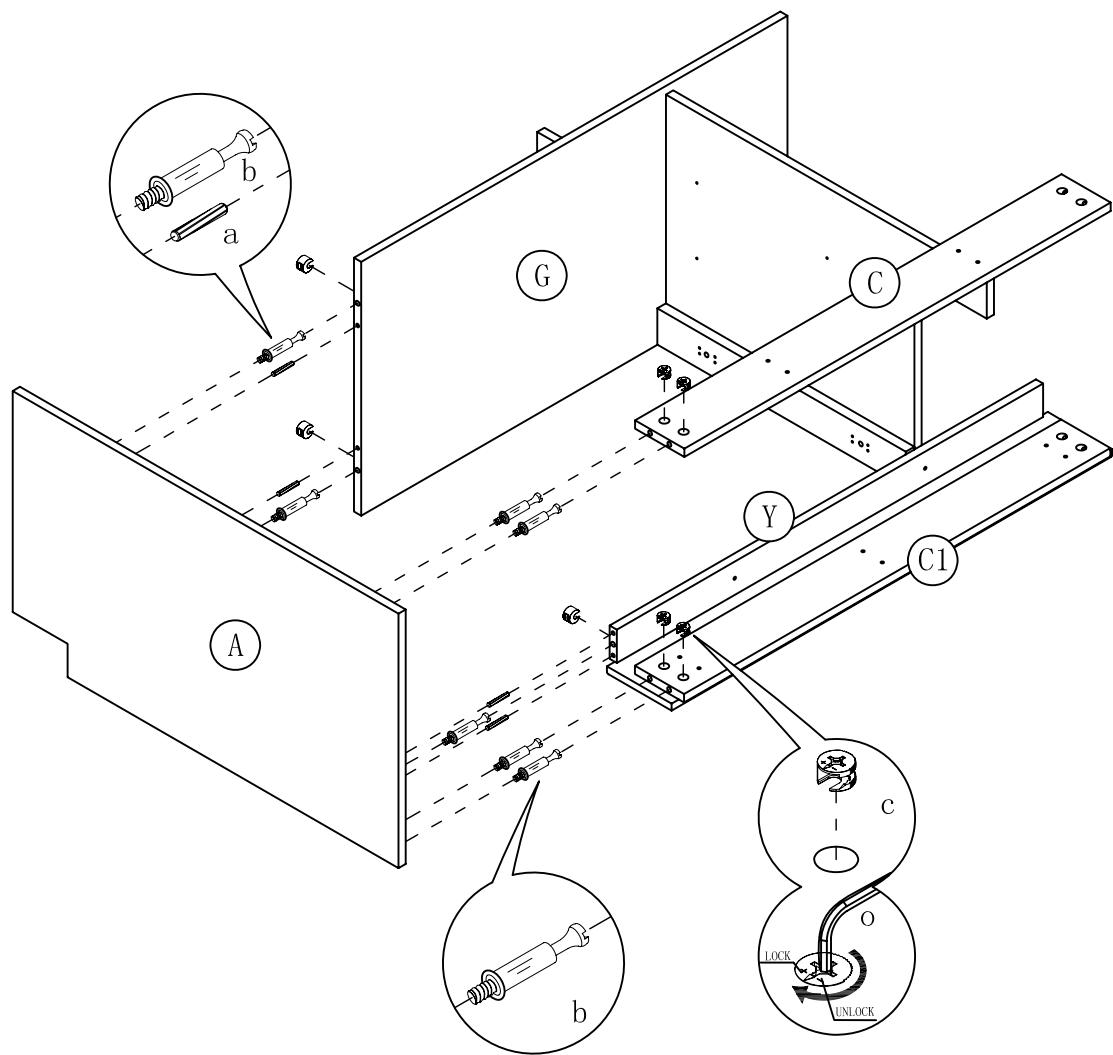
STEP 1



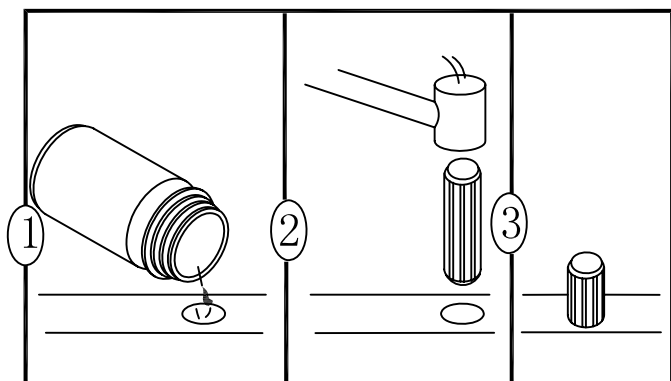
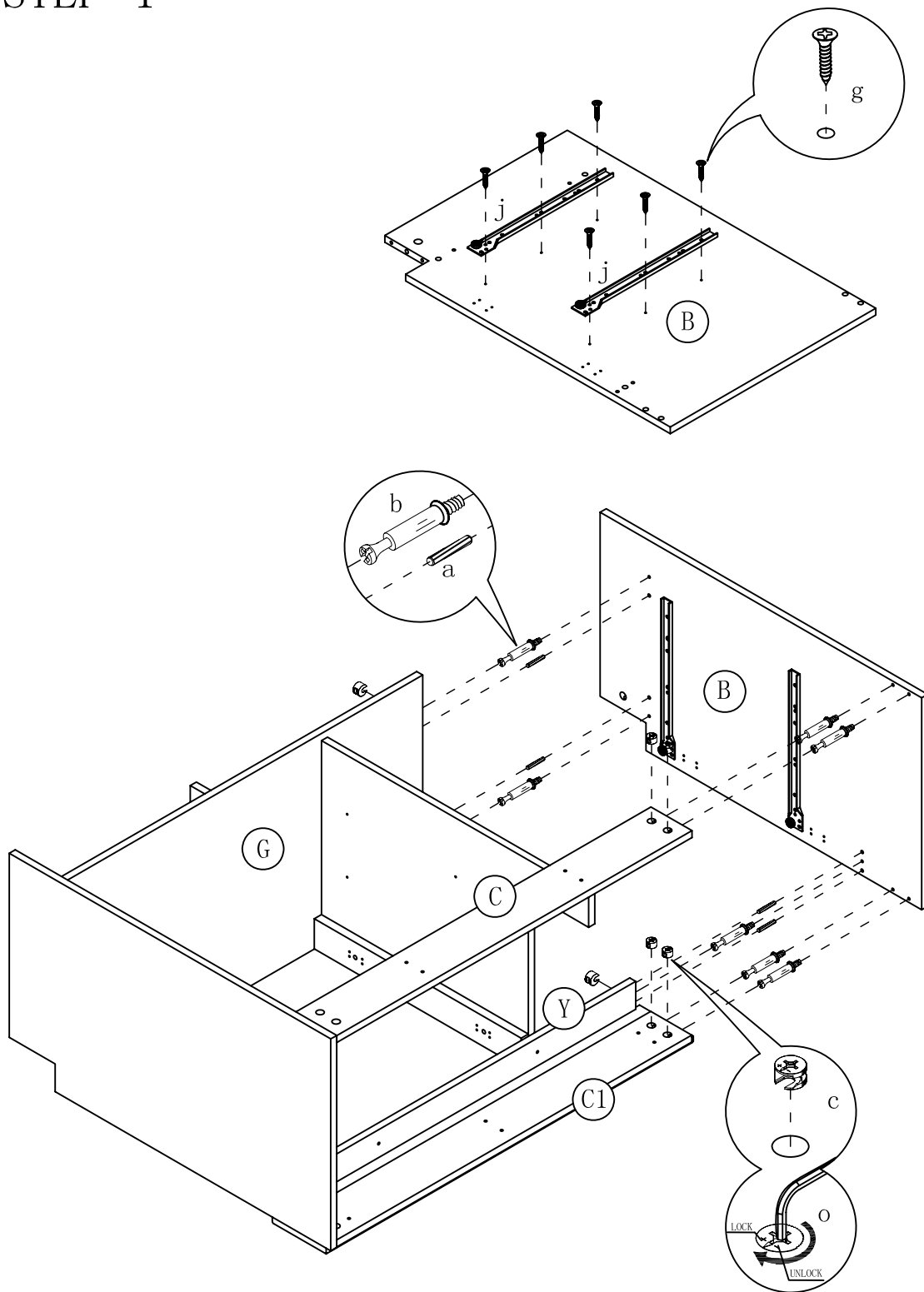
STEP 2



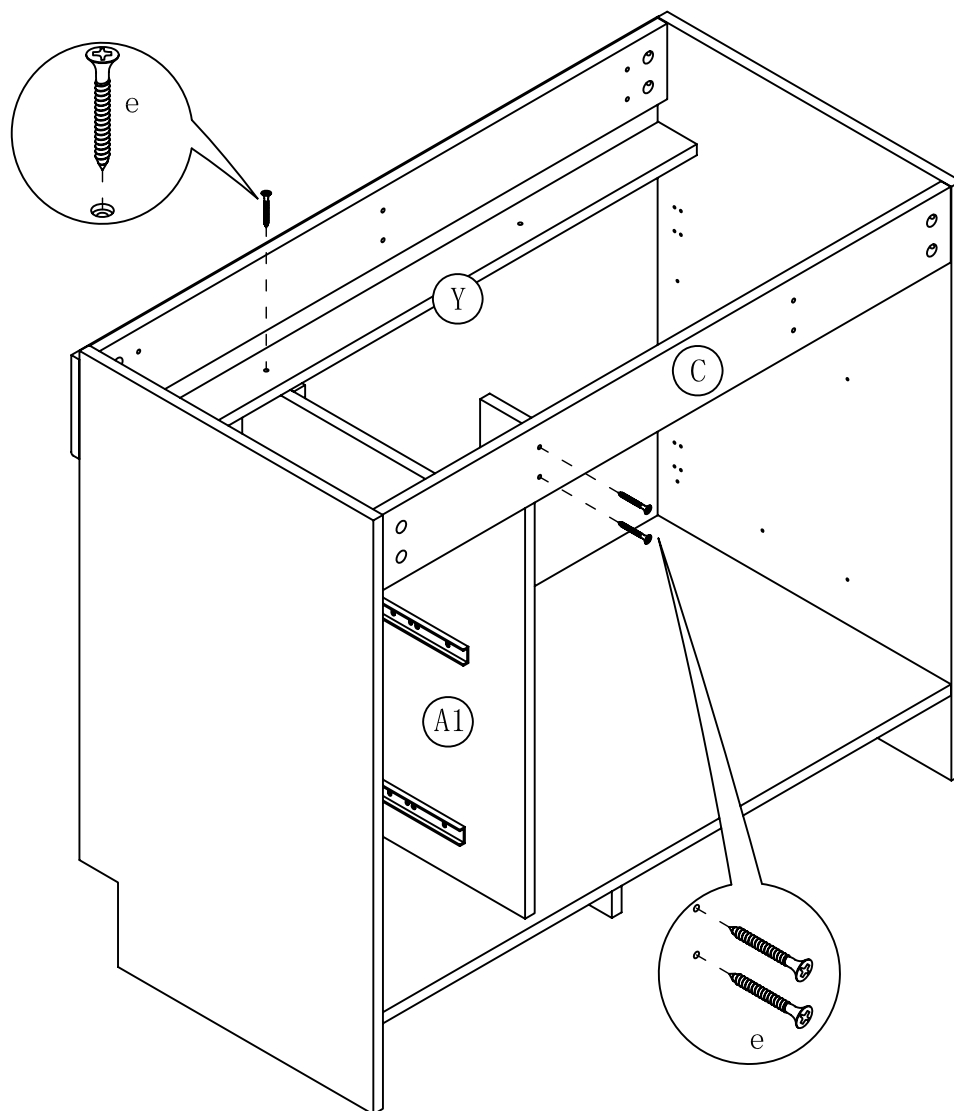
STEP 3



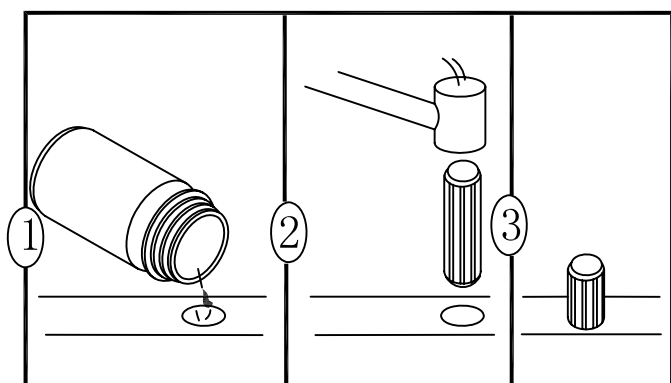
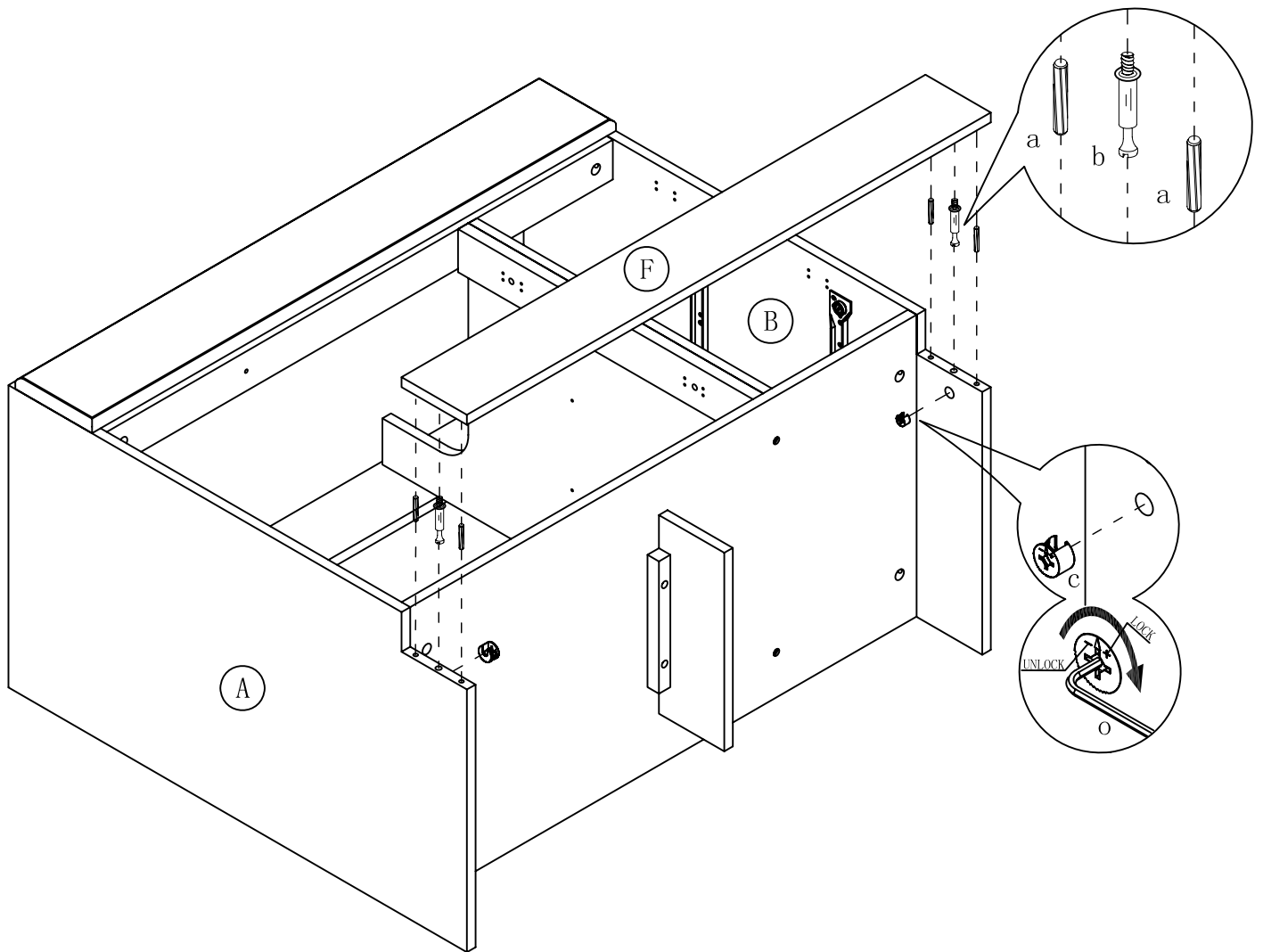
STEP 4



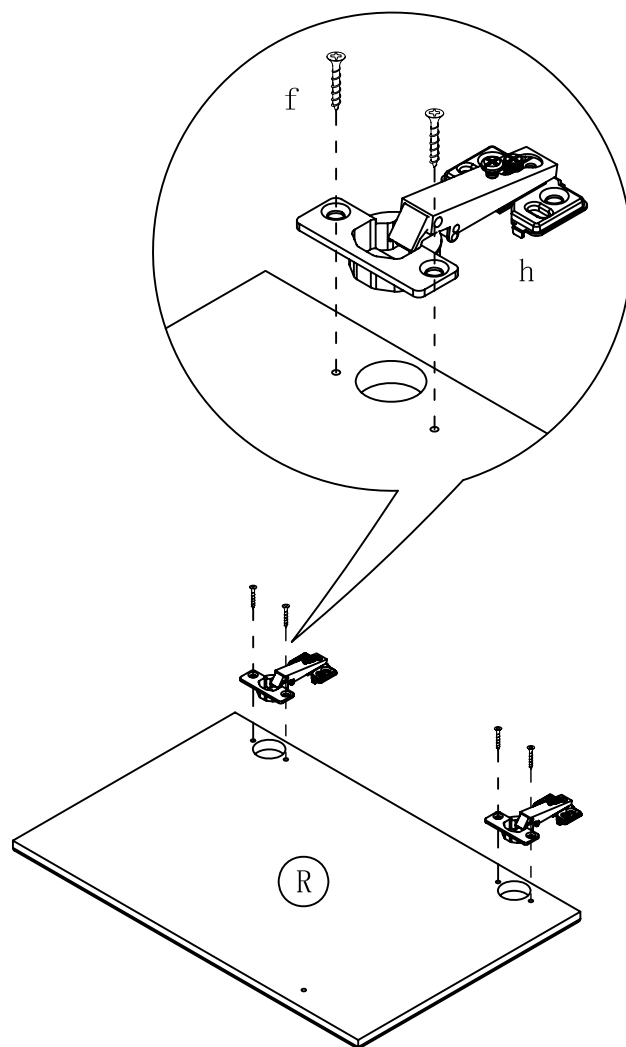
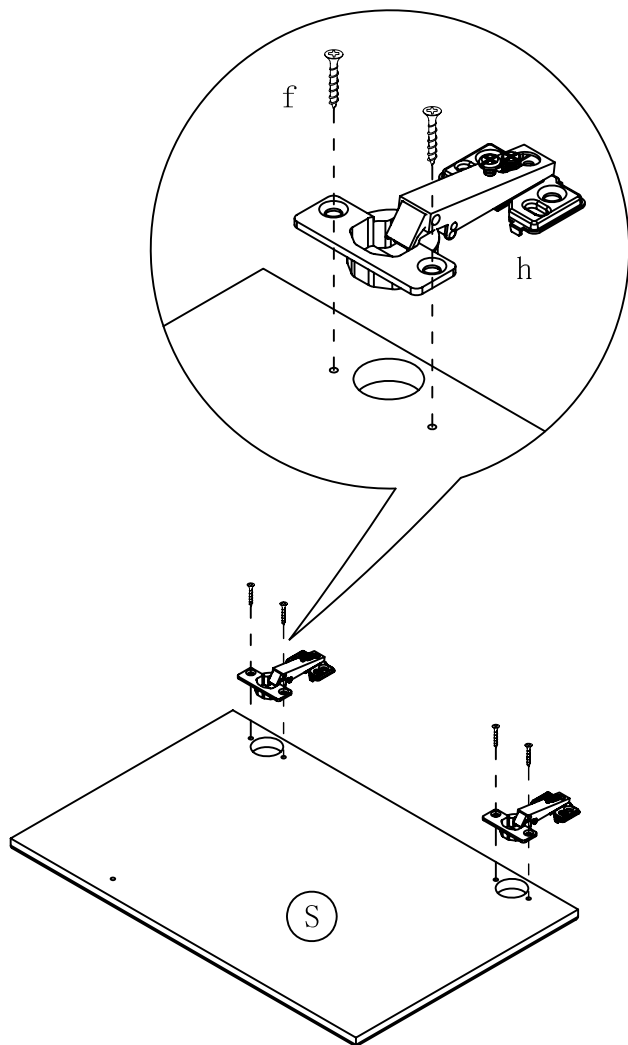
STEP 5



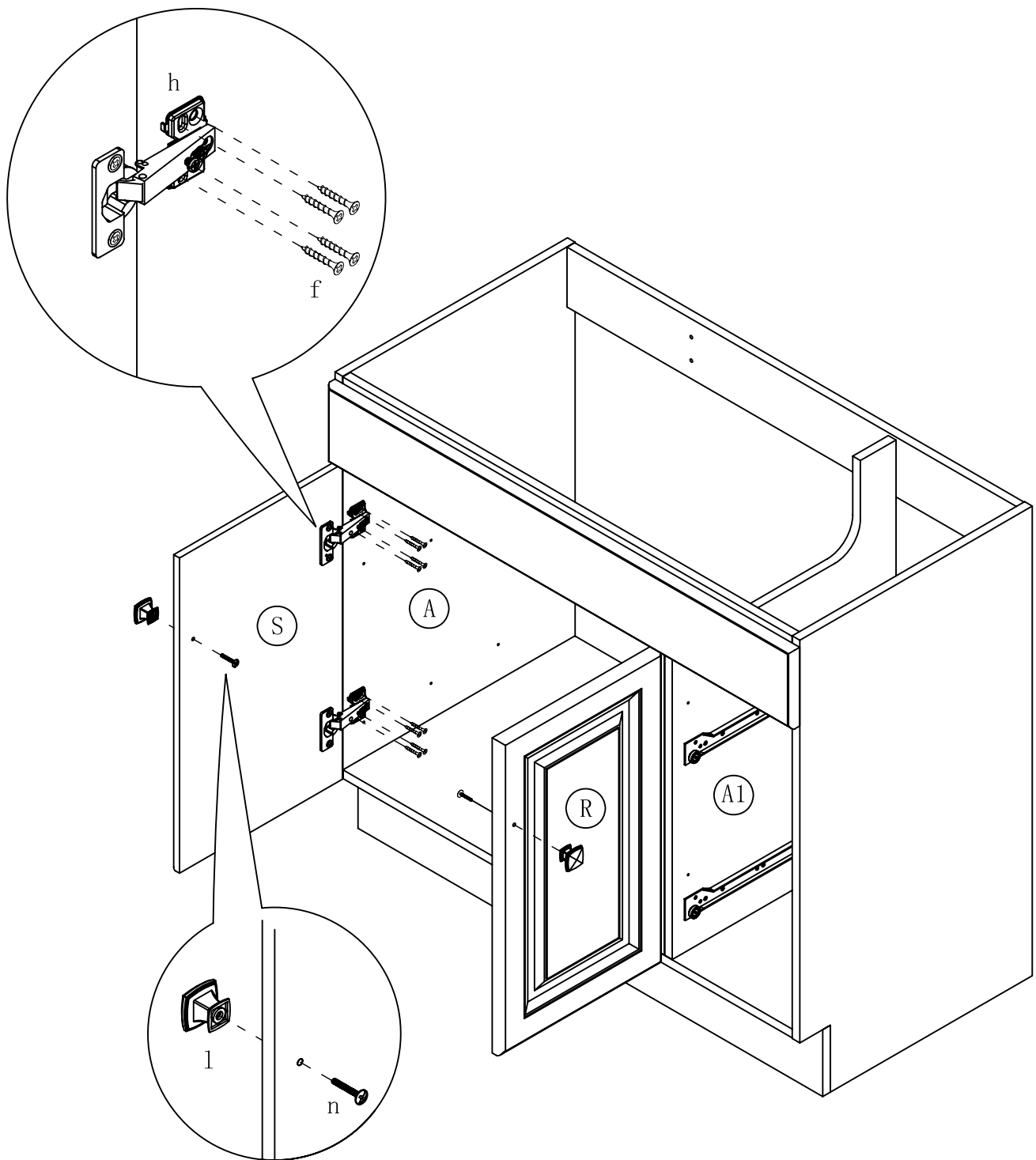
STEP 6



STEP 7

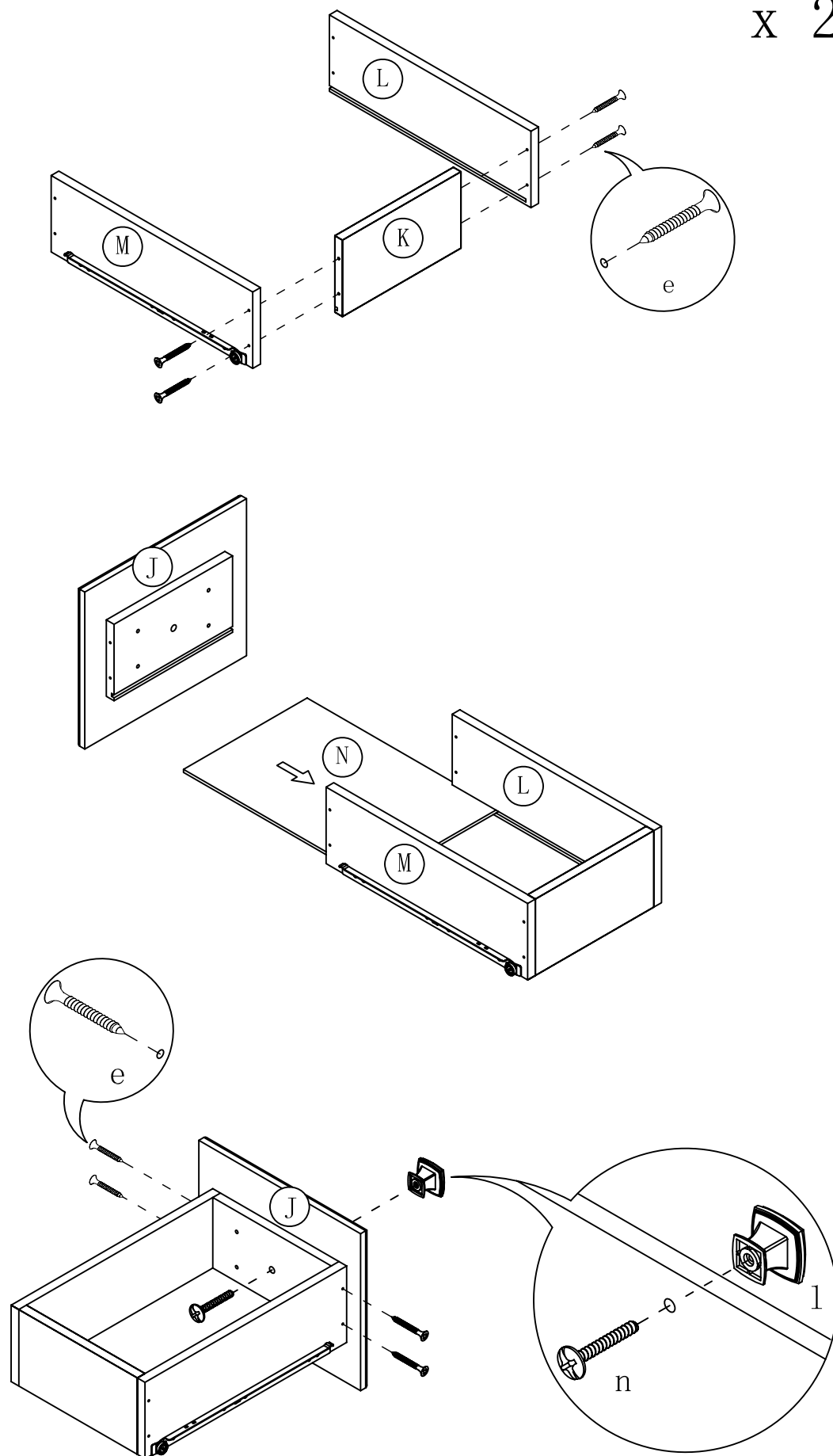


STEP 8

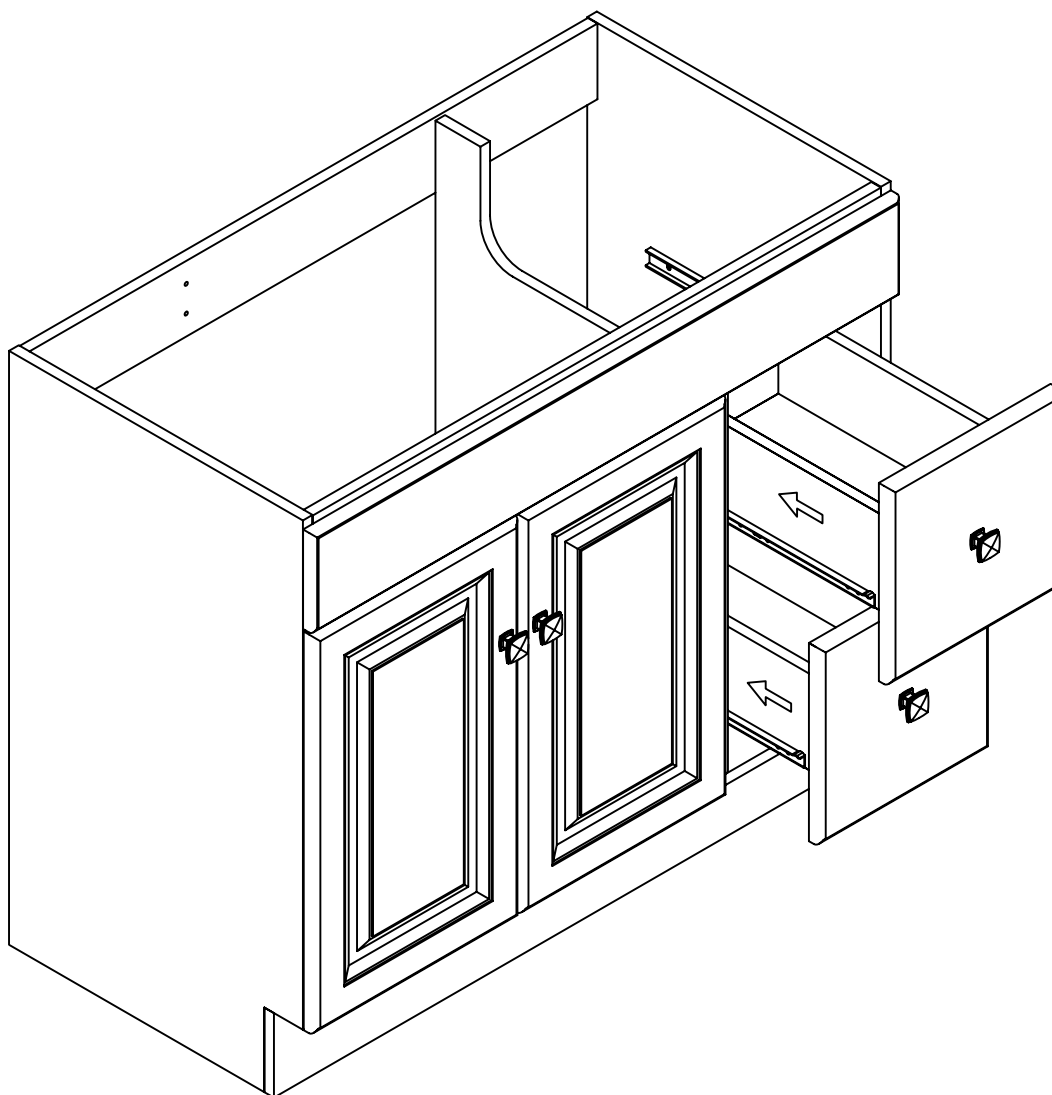


STEP 9

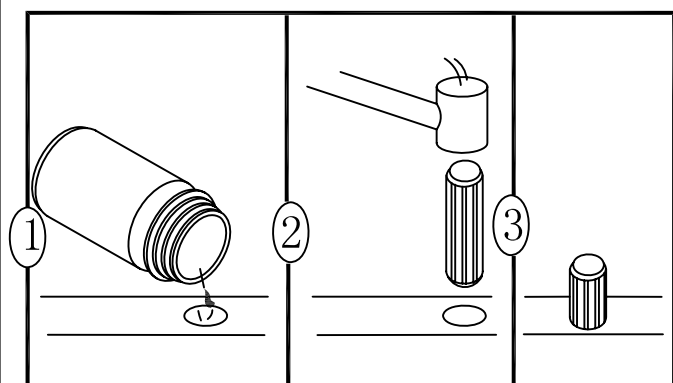
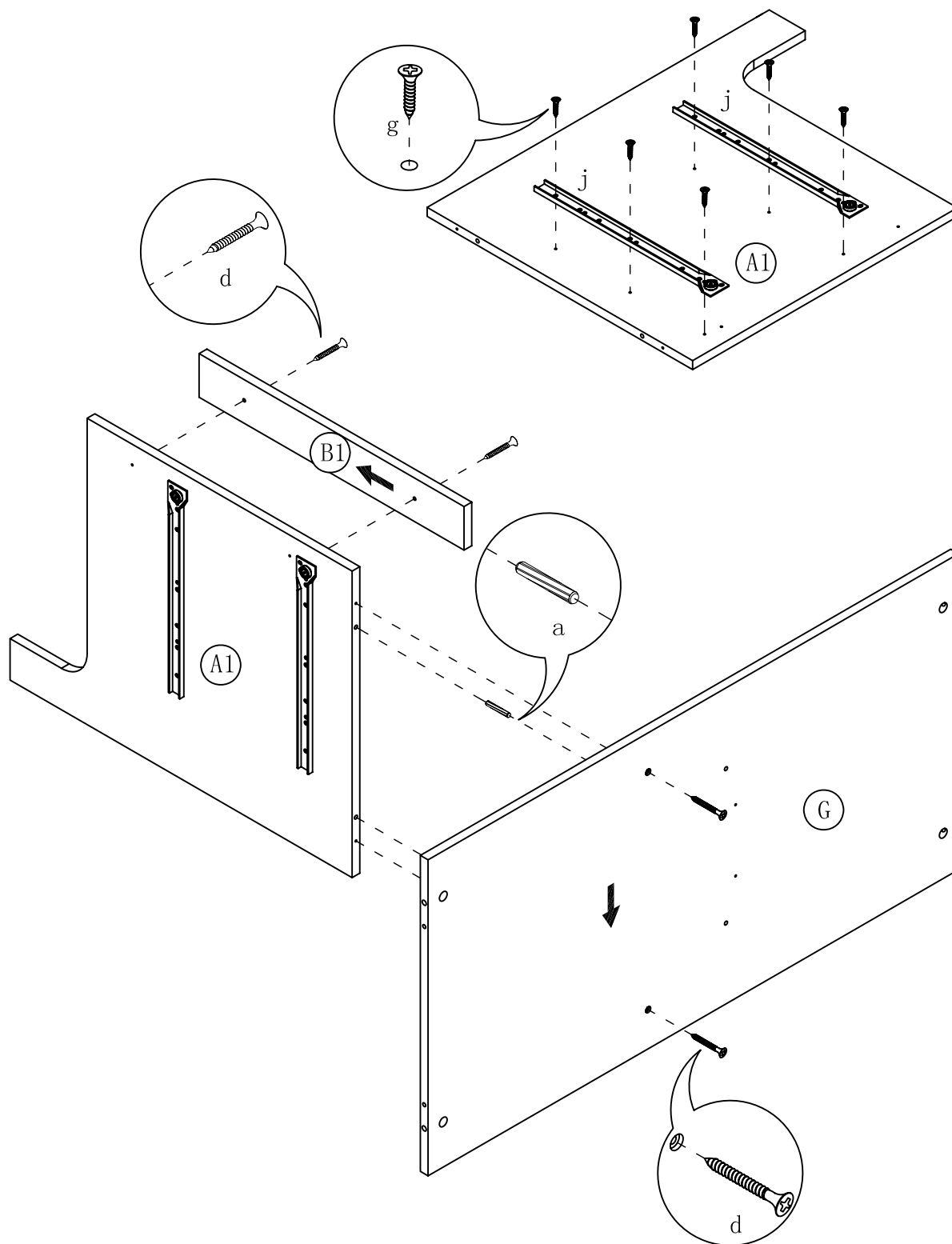
x 2



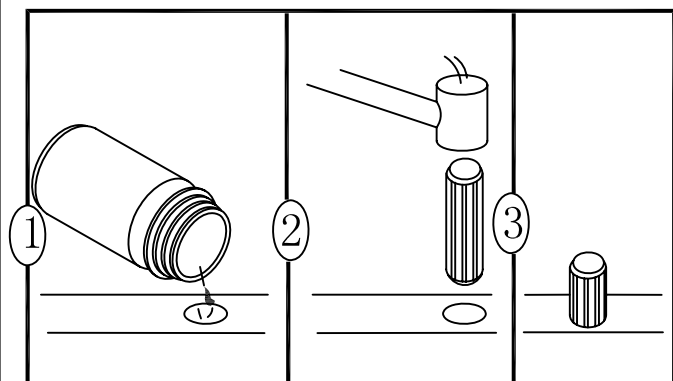
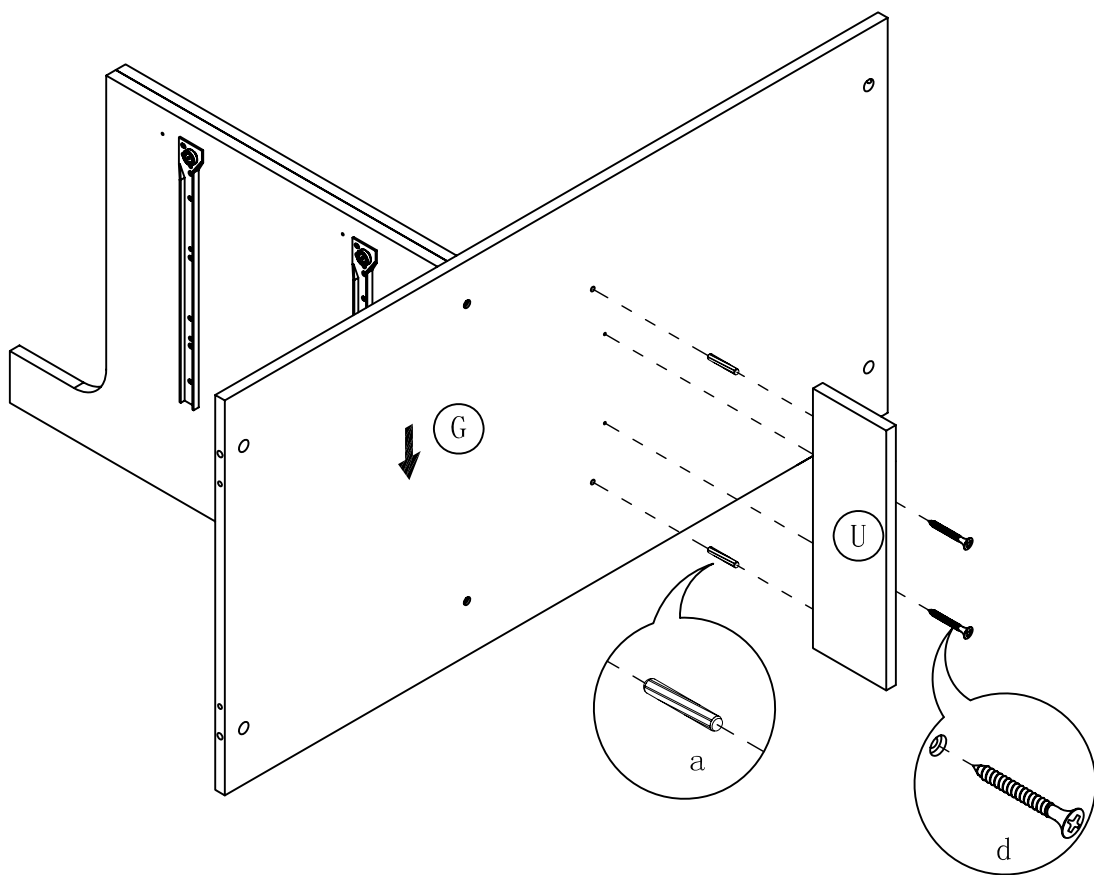
STEP 10



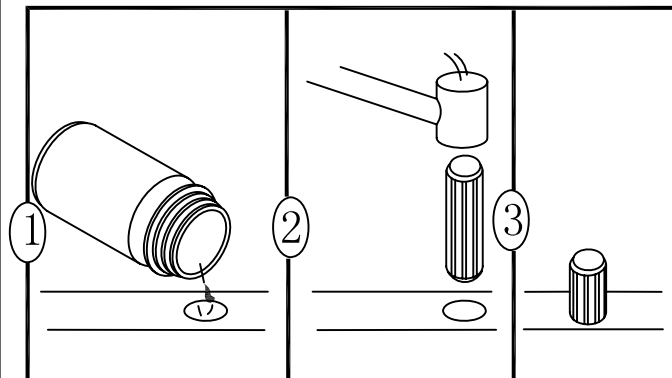
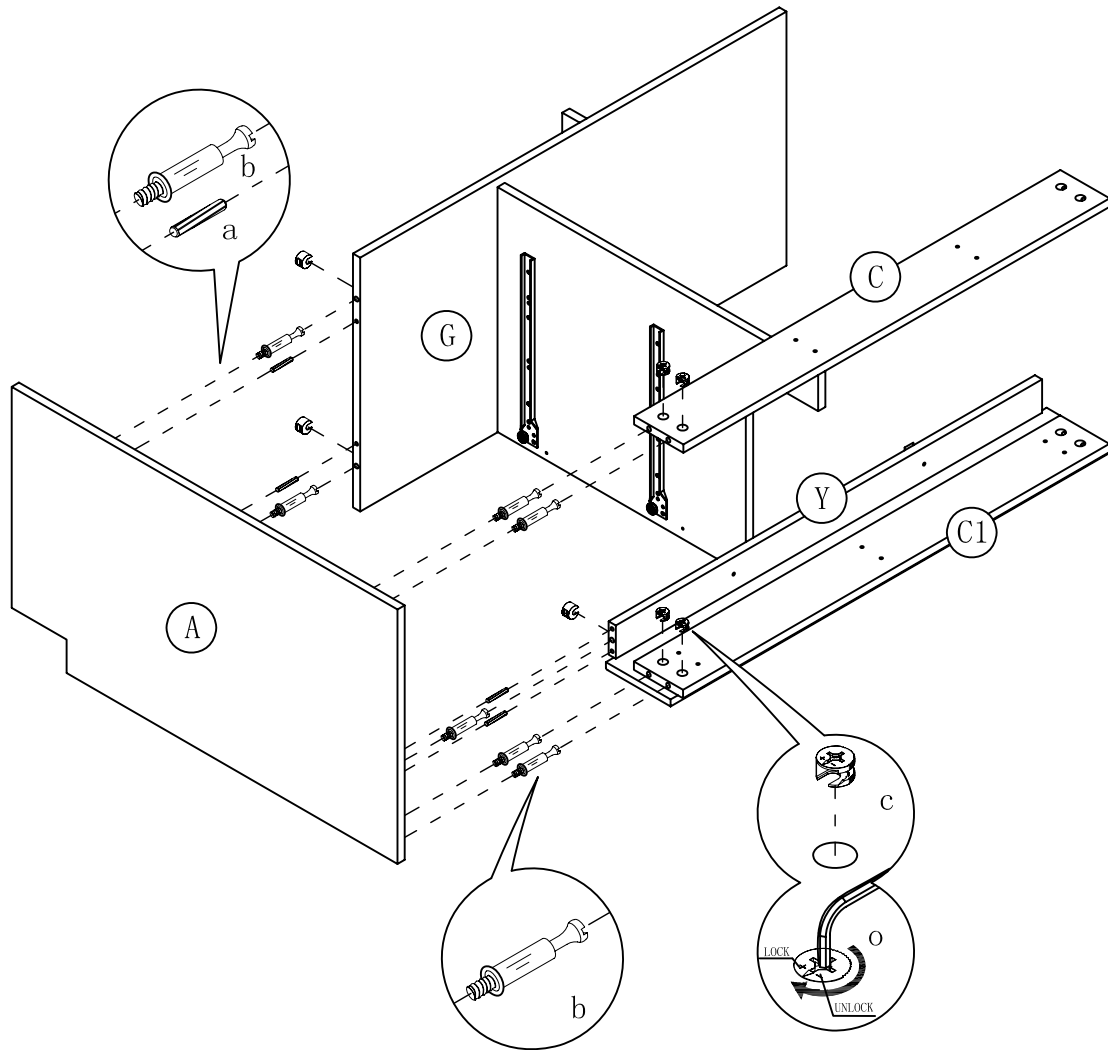
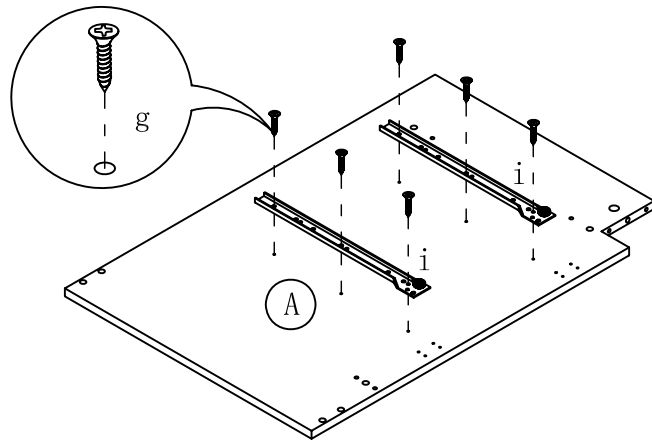
STEP 11



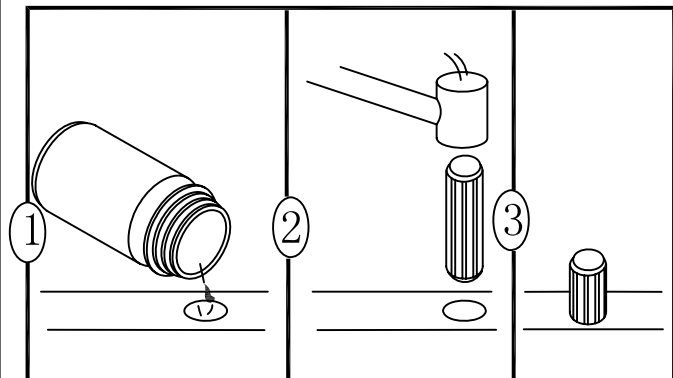
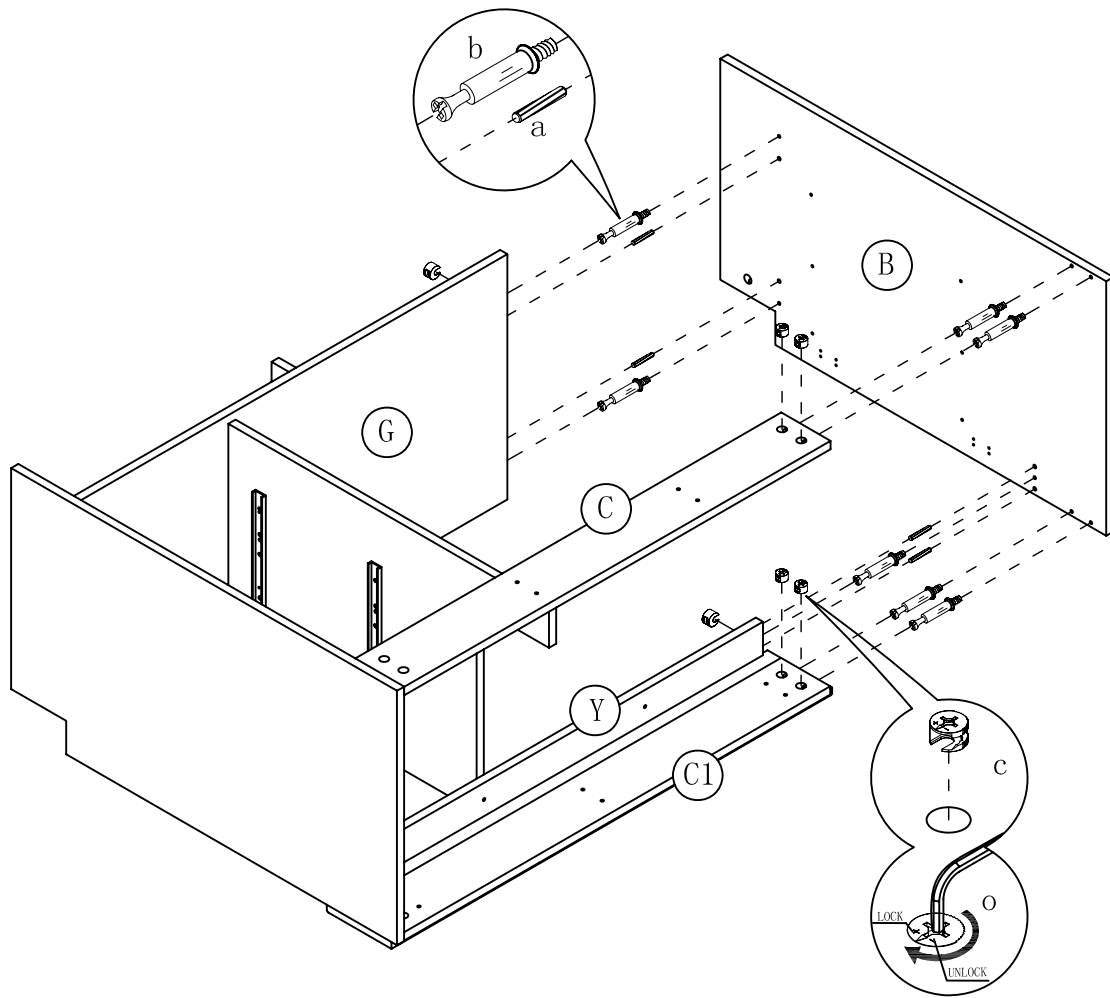
STEP 12



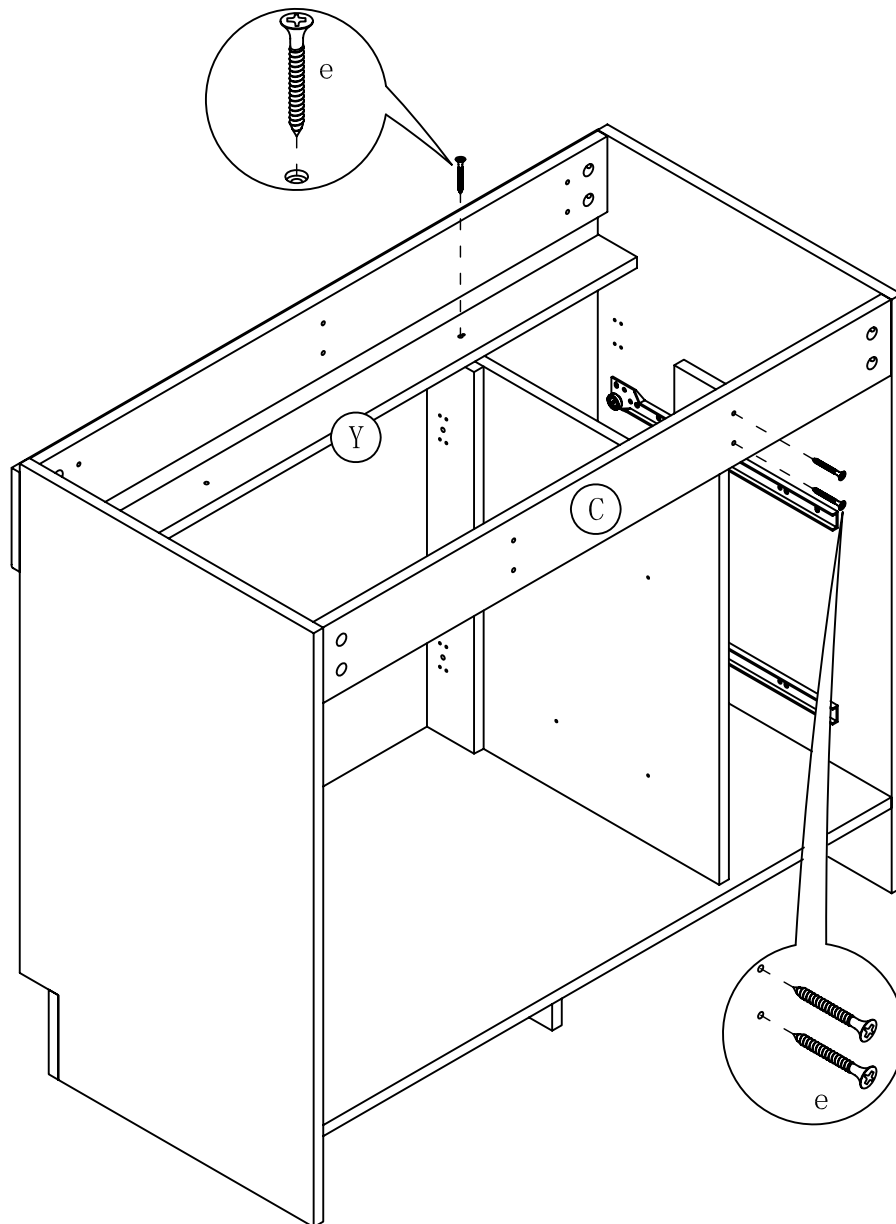
STEP 13



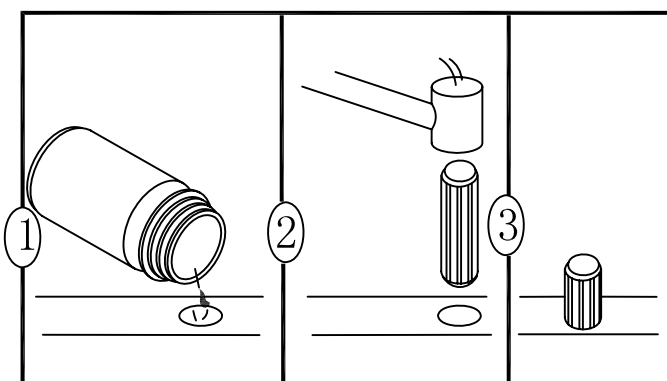
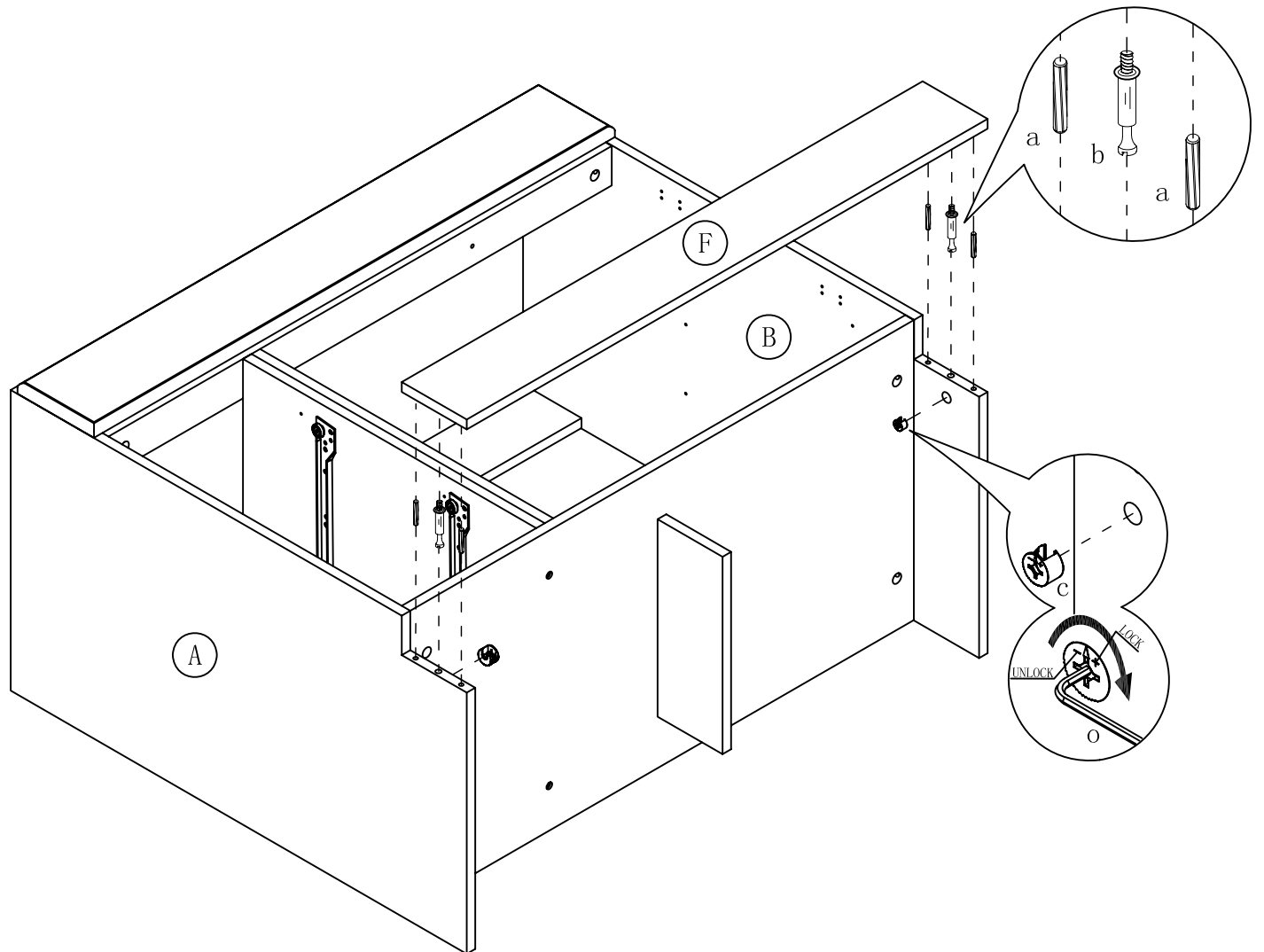
STEP 14



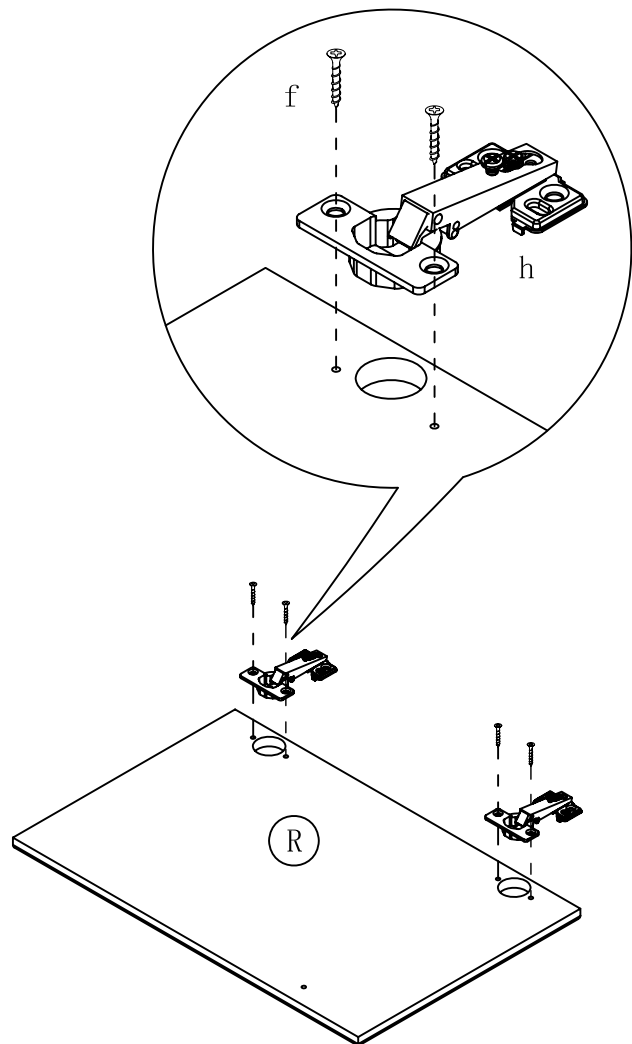
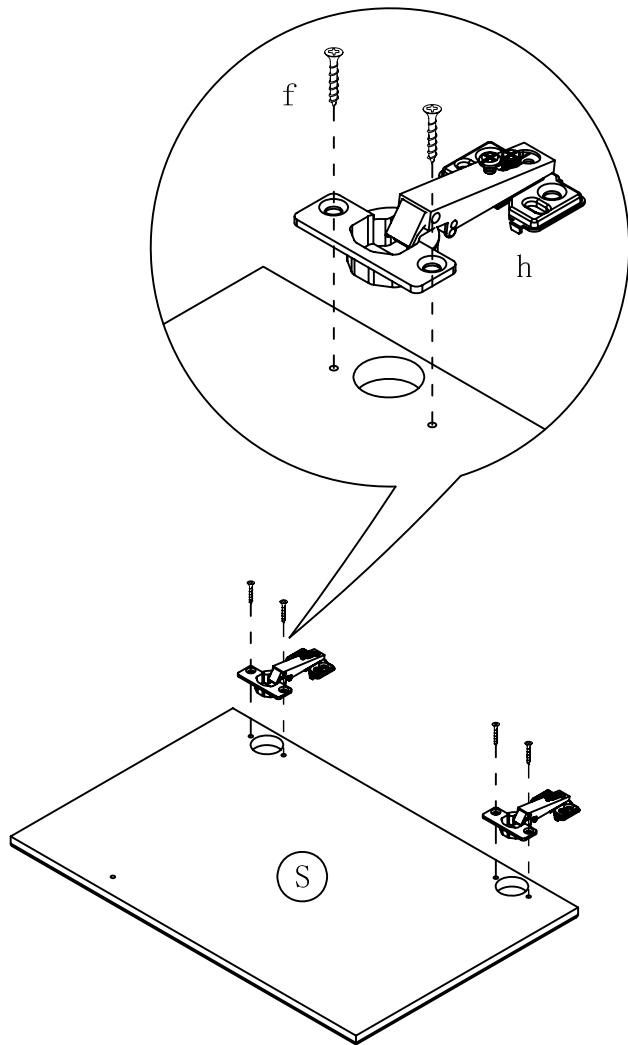
STEP 15



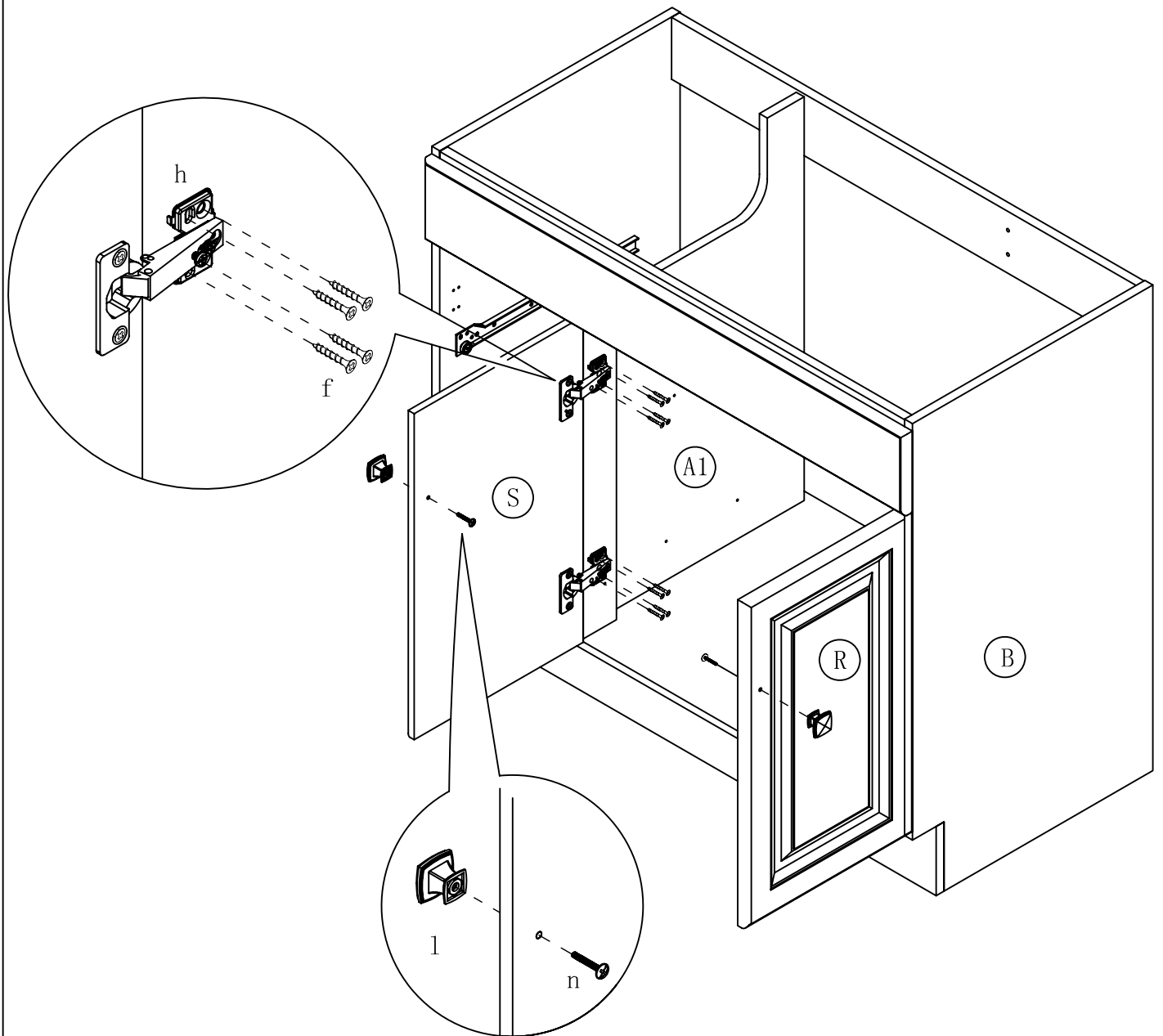
STEP 16



STEP 17

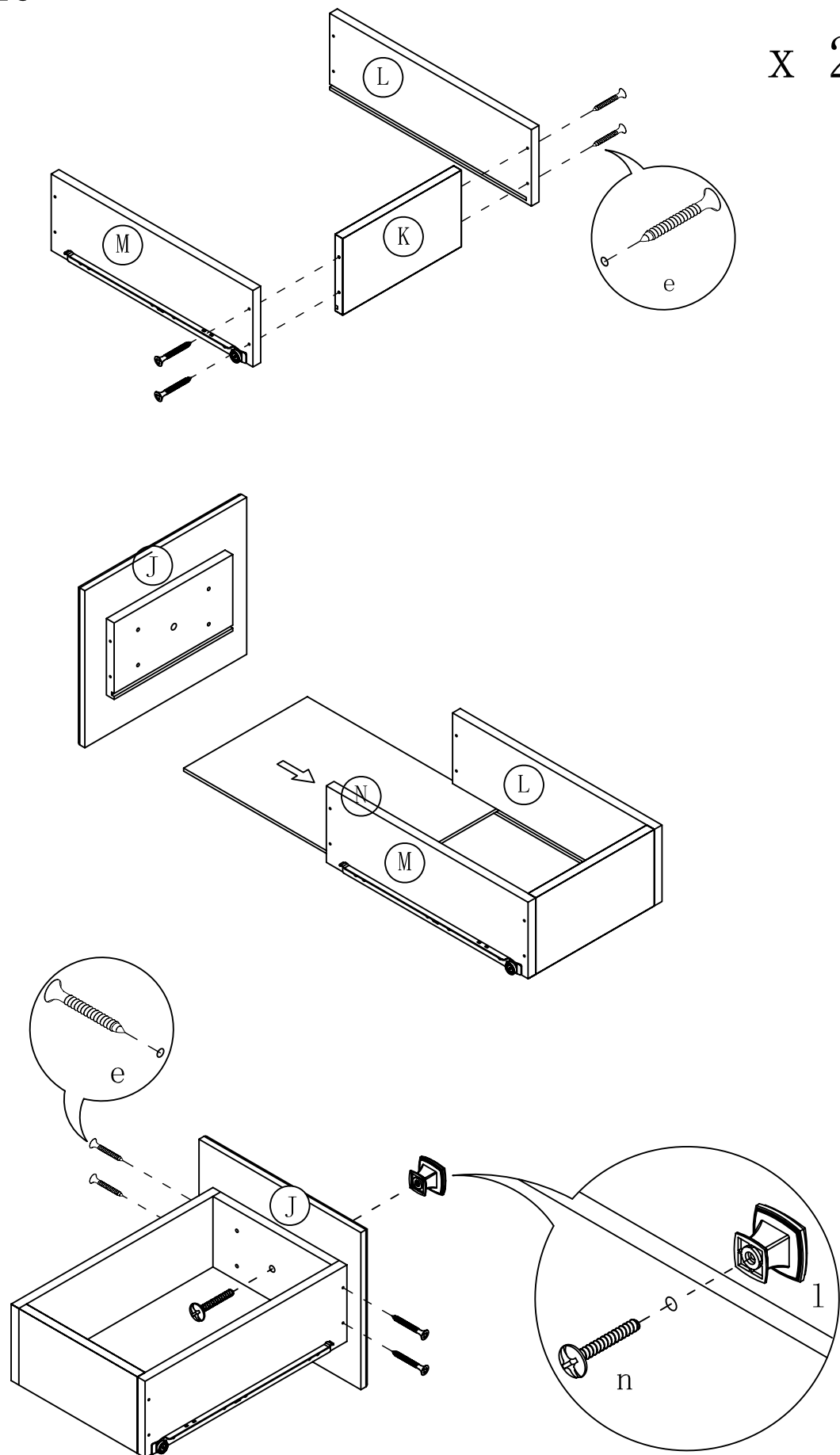


STEP 18



STEP 19

x 2



STEP 20

