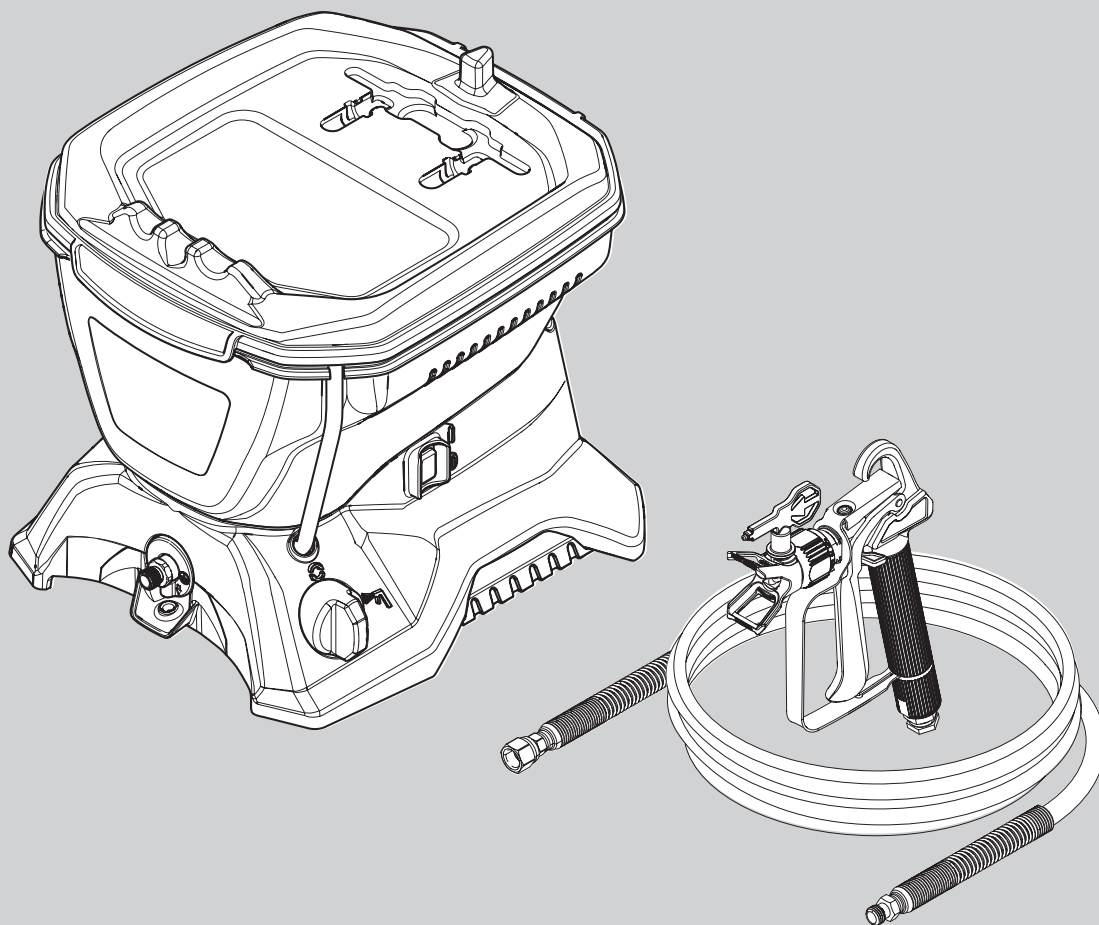


**WAGNER**



# CONTROL PRO™ 130 POWER TANK

OWNER'S MANUAL • GUIDE D'UTILISATION •  
MANUAL DEL PROPIETARIO

READ THIS MANUAL FOR COMPLETE INSTRUCTIONS •  
LIRE CE MANUEL POUR OBTENIR DES DIRECTIVES COMPLÈTES •  
LEA ESTE MANUAL PARA OBTENER LAS INSTRUCCIONES COMPLETAS

EN

F

ES

ENGLISH	P. 2
FRANÇAIS	P. 20
ESPAÑOL	P. 38

# IMPORTANT SAFETY INFORMATION

## TABLE OF CONTENTS

<b>IMPORTANT SAFETY INFORMATION</b>	<b>2-4</b>
Explanation of Symbols	2
Grounding Instructions	3
Important Electrical Information	3
Safety Hazards	3-4
<b>GENERAL INFORMATION</b>	<b>5</b>
Specifications	5
<b>PARTS AND COMPONENTS</b>	<b>6</b>
Assembly	6
<b>BEFORE YOU BEGIN</b>	<b>7</b>
Locking the Spray Gun	7
Pressure Relief Procedure	7
Moving / Emptying the Sprayer	7
<b>LOAD MATERIAL</b>	<b>8</b>
<b>SPRAYING</b>	<b>9</b>
<b>PRACTICE SPRAYING</b>	<b>10</b>
<b>SPRAYING TROUBLESHOOTING</b>	<b>11-12</b>
Clear the Spray Tip	11
Clean the Inlet Filter	12
<b>SHORT TERM STORAGE</b>	<b>13</b>
<b>CLEANUP</b>	<b>14-15</b>
<b>LONG TERM STORAGE</b>	<b>16</b>
<b>MAINTENANCE</b>	<b>17-18</b>
Cleaning the Inlet Valve	17
Cleaning the Outlet Valve	18
<b>TROUBLESHOOTING</b>	<b>19</b>
<b>PARTS LIST</b>	<b>56-58</b>
<b>WARRANTY</b>	<b>59</b>

## EXPLANATION OF SYMBOLS

Read all safety information before operating the equipment. Save these instructions.

To reduce the risks of fire or explosion, electrical shock and the injury to persons, read and understand all instructions included in this manual. Be familiar with the controls and proper usage of the equipment.



→ This symbol indicates a potential hazard that may cause serious injury or loss of life. Important safety information will follow.



→ This symbol indicates a potential hazard to you or to the equipment. Important information that tells how to prevent damage to the equipment or how to avoid causes of minor injuries will follow.



→ Danger of skin injection



→ Danger of fire from solvent and paint fumes



→ Danger of explosion from solvent, paint fumes and incompatible materials



→ Danger of injury from inhalation of harmful vapors



→ Electric shock hazard



→ Notes give important information which should be given special attention.




The Control Pro can **only** be used with spray tips, hoses or spray guns that are Control Pro compatible. Do not use any non-Control Pro accessories with this system.

# IMPORTANT SAFETY INFORMATION

## GROUNDING INSTRUCTIONS

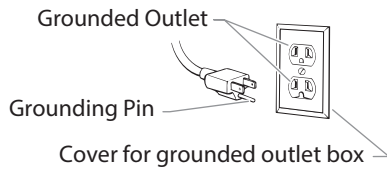
This product must be grounded. In the event of an electrical short circuit, grounding reduces the risk of electric shock by providing an escape wire for the electric current. This product is equipped with a cord having a grounding wire with an appropriate grounding plug. The plug must be plugged into an outlet that is properly installed and grounded in accordance with all local codes and ordinances.



	<b>WARNING</b> - Improper installation of the grounding plug can result in a risk of electric shock.
---	--

If repair or replacement of the cord or plug is necessary, do not connect the green grounding wire to either flat blade terminal. The wire with insulation having a green outer surface with or without yellow stripes is the grounding wire and must be connected to the grounding pin.


Check with a qualified electrician or serviceman if the grounding instructions are not completely understood, or if you are in doubt as to whether the product is properly grounded. Do not modify the plug provided. If the plug will not fit the outlet, have the proper outlet installed by a qualified electrician.

This product is for use on a nominal 120 volt circuit and has a grounding plug that looks like the plug illustrated below. Make sure that the product is connected to an outlet having the same configuration as the plug. No adapter should be used with this product.



 <b>Attention</b>	When the sprayer is used with a generator or uncontrolled line voltage, the use of Wagner's "Line Surge Protector" (P/N 800-935) is recommended.
	Make sure to check for grounding continuity after service is performed on any electrical components. Use an ohmmeter to determine that there is continuity between accessible dead-metal parts of the product and the grounding blade of the attachment plug.

## IMPORTANT ELECTRICAL INFORMATION

 <b>Attention</b>	Use only a 3-wire extension cord that has a 3-blade grounding plug and a 3-slot receptacle that will accept the plug on the product.
---	--

Make sure your extension cord is in good condition. When using an extension cord, be sure to use one heavy enough to carry the current your product will draw. An undersized cord will cause a drop in line voltage resulting in loss of power and overheating.


A 14 or 12 gauge cord is recommended (see chart). If an extension cord is to be used outdoors, it must be marked with "SJW" or "SJTW". For example, a designation of SJTW would indicate that the cord would be appropriate for outdoor use.

Cord gauge	Maximum cord length
12	150 feet
14	100 feet

Wagner accessory extension cords recommended:

- P/N 0090241      20 foot extension cord
- P/N 0090242      35 foot extension cord

## SAFETY HAZARDS


	<b>WARNING: INJECTION INJURY</b> A high pressure paint stream produced by this equipment can pierce the skin and underlying tissues, leading to serious injury and possible amputation. See a physician immediately.
---	---

### PREVENTION:

- Do not aim the gun at, or spray any person or animal.
- Keep hands and other body parts away from the discharge. For example, do not try to stop leaks with any part of the body.
- NEVER put your hand in front of the gun. Gloves will not provide protection against an injection injury.
- ALWAYS keep the tip guard in place while spraying. The tip guard provides some protection but is mainly a warning device.
- Only use a nozzle tip specified by the manufacturer.
- Use caution when cleaning and changing nozzle tips. In the case where the nozzle tip clogs while spraying, ALWAYS lock gun trigger, shut pump off, and release all pressure before servicing, cleaning tip or guard, or changing tip. Pressure will not be released by turning off the motor. The PRIME/SPRAY valve or pressure bleed valve must be turned to their appropriate positions to relieve system pressure. Refer to PRESSURE RELIEF PROCEDURE described in the pump manual (page 7).
- Do not leave the unit energized or under pressure while unattended. When the unit is not in use, turn off the unit and relieve the pressure in accordance with the manufacturer's instructions.

# IMPORTANT SAFETY INFORMATION


- High-pressure spray is able to inject toxins into the body and cause serious bodily injury. In the event that injection occurs, seek medical attention immediately.
- Check hoses and parts for signs of damage, a leak can inject material into the skin. Inspect hose before each use. Replace any damaged hoses or parts. Only use Wagner original-high-pressure hoses in order to ensure functionality, safety and durability.
- This system is capable of producing 1600 PSI / 11.1 MPa. Only use replacement parts or accessories that are specified by the manufacturer and that are rated a minimum of 1600 PSI. This includes spray tips, nozzle guards, guns, extensions, fittings, and hose.
- Always engage the trigger lock when not spraying. Verify the trigger lock is functioning properly.
- Verify that all connections are secure before operating the unit.
- Know how to stop the unit and bleed pressure quickly. Be thoroughly familiar with the controls. Pressure will not be released by turning off the motor. The PRIME/SPRAY valve or pressure bleed valve must be turned to their appropriate positions to relieve system pressure. Refer to PRESSURE RELIEF PROCEDURE described in the pump manual (page 7).
- Always remove the spray tip before flushing or cleaning the system.

	<p><b>NOTE TO PHYSICIAN:</b> Injection into the skin is a traumatic injury which can lead to possible amputation. It is important to treat the injury as soon as possible. DO NOT delay treatment to research toxicity. Toxicity is a concern with some coatings injected directly into the blood stream. Consultation with a plastic surgeon or reconstructive hand surgeon may be advisable.</p>
--	--

	<p><b>WARNING: ELECTRIC SHOCK</b> This product can cause injury due to electric shock.</p>
---	--

**PREVENTION:**

- Power tool plugs must match the outlet. Never modify the plug in any way. Do not use any adapter plugs with earthed (grounded) power tools. Unmodified plugs and matching outlets will reduce risk of electric shock.
- Avoid body contact with earthed or grounded surfaces, such as pipes, radiators, ranges and refrigerators. There is an increased risk of electric shock if your body is earthed or grounded.
- Do not expose power tools to rain or wet conditions. Water entering a power tool will increase the risk of electric shock.
- Do not abuse the cord. Never use the cord for carrying, pulling or unplugging the power tool. Keep cord away from heat, oil, sharp edges or moving parts. Damaged or entangled cords increase the risk of electric shock.
- When operating a power tool outdoors, use an extension cord suitable for outdoor use. Use of a cord suitable for outdoor use reduces the risk of electric shock.
- If operating a power tool in a damp location is unavoidable, use a Ground Fault Circuit Interrupter (GFCI) protected supply. Use of an RCD reduces the risk of electric shock.


	<p><b>WARNING: EXPLOSION OR FIRE</b> Solvent and paint fumes can explode or ignite. Severe injury and/or property damage can occur.</p>
---	---

**PREVENTION:**

- Do not spray flammable or combustible materials near an open flame, pilot lights or sources of ignition such as hot objects, cigarettes, motors, electrical equipment and electrical appliances. Avoid creating sparks from connecting and disconnecting power cords.
- Do not spray or clean with liquids having a flash point of less than 38°C (100°F). Flash point is the temperature at which a fluid can produce enough vapor to ignite.
- Paint or solvent flowing through the equipment is able to result in static electricity. Static electricity creates a risk of fire or explosion in the presence of paint or solvent fumes. All parts of the spray system, including the pump, hose assembly, spray gun and objects in and around the spray area shall be properly grounded to protect against static discharge and sparks. Use only conductive or grounded high-pressure airless paint sprayer hoses specified by the manufacturer.
- Verify that all containers and collection systems are grounded to prevent static discharge.
- Connect to a grounded outlet and use grounded extension cords (electric models only). Do not use a 3 to 2 adapter.
- Do not use a paint or solvent containing halogenated hydrocarbons. Such as chlorine, bleach mildewcide, methylene chloride and trichloroethane. They are not compatible with aluminum. Contact the coating supplier about compatibility of material with aluminum.
- Keep spray area well ventilated. Keep a good supply of fresh air moving through the area to keep the air within the spray area free from accumulation of flammable vapors. Keep pump assembly in well ventilated area. Do not spray pump assembly.
- Do not smoke in the spray area.
- Do not operate light switches, engines, or similar spark producing products in the spray area.
- Keep area clean and free of paint or solvent containers, rags, and other flammable materials.
- Know the contents of the paint and solvents being sprayed. Read all material Safety Data Sheets (SDS) and container labels provided with the paints and solvents. Follow the paint and solvent manufacture's safety instructions.
- Place pump at least 20 feet (6 meters) from the spray object in a well ventilated area (add more hose if necessary). Flammable vapors are often heavier than air. Floor area must be extremely well ventilated. The pump contains arcing parts that emit sparks and can ignite vapors.
- Plastic can cause static sparks. Never hang plastic to enclose spray area. Do not use plastic drop cloths when spraying flammable material.
- Fire extinguisher equipment shall be present and working.

# IMPORTANT SAFETY INFORMATION

# GENERAL INFORMATION

	<p><b>WARNING: HAZARDOUS VAPORS</b></p> <p>Paints, solvents, insecticides, and other materials can be harmful if inhaled or come in contact with the body. Vapors can cause severe nausea, fainting, or poisoning.</p>
---	--

**PREVENTION:**

- Use a respirator or mask if vapors can be inhaled. Read all instructions supplied with the mask to be sure it will provide the necessary protection.
- Wear protective eyewear.
- Wear protective clothing as required by coating manufacturer.

	<p><b>WARNING: GENERAL</b></p> <p>Can cause severe injury or property damage.</p>
---	---

**PREVENTION:**

- Always wear appropriate gloves, eye protection, clothing and a respirator or mask when painting.
- Do not operate or spray near children. Keep children away from equipment at all times.
- Do not overreach or stand on an unstable support. Keep effective footing and balance at all times.
- Stay alert and watch what you are doing.
- Do not operate the unit when fatigued or under the influence of drugs or alcohol.
- Do not kink or over-bend the hose. Airless hose can develop leaks from wear, kinking and abuse. A leak can inject material into the skin.
- Do not expose the hose to temperatures or pressures in excess of those specified by manufacturer.
- Do not use the hose as a strength member to pull or lift the equipment.
- Use lowest possible pressure to flush equipment.
- Follow all appropriate local, state and national codes governing ventilation, fire prevention and operation.
- The United States Government Safety Standards have been adopted under the Occupational Safety and Health Act (OSHA). These standards, particularly part 1910 of the General Standards and part 1926 of the Construction Standards should be consulted.
- Before each use, check all hoses for cuts, leaks, abrasion or bulging of cover. Check for damage or movement of couplings. Immediately replace hose if any of those conditions exist. Never repair a paint hose. Replace with a conductive high-pressure hose.
- Do not spray outdoors on windy days.
- Always unplug cord from outlet before working on equipment (electric models only).

## SPECIFICATIONS

	<b>Control Pro 130 Power Tank</b>
<b>Maximum Pressure</b>	1600 PSI (11.1 MPa)
<b>Capacity</b>	0.24 GPM (0.91 LPM)
<b>Tank Capacity</b>	1.5 gallon (5.7 l)
<b>Horsepower</b>	0.38
<b>Max. tip</b>	0.015"
<b>Power Requirement</b>	15 amp minimum circuit on 115 VAC, 60 Hz current
<b>Generator power requirement</b>	2500 Watt (disable idle-down feature)
<b>Overheating protection</b>	This sprayer has a built-in protective device to prevent damage from overheating. The sprayer may automatically shut down after heavy use. If this happens, turn switch OFF (0), unplug the sprayer and allow to cool for 20-30 minutes and resume spraying.

## CAPABILITY

Sprays a variety of paints (oil-based and latex), primers, stains, preservatives and other nonabrasive materials.

## DO NOT USE!

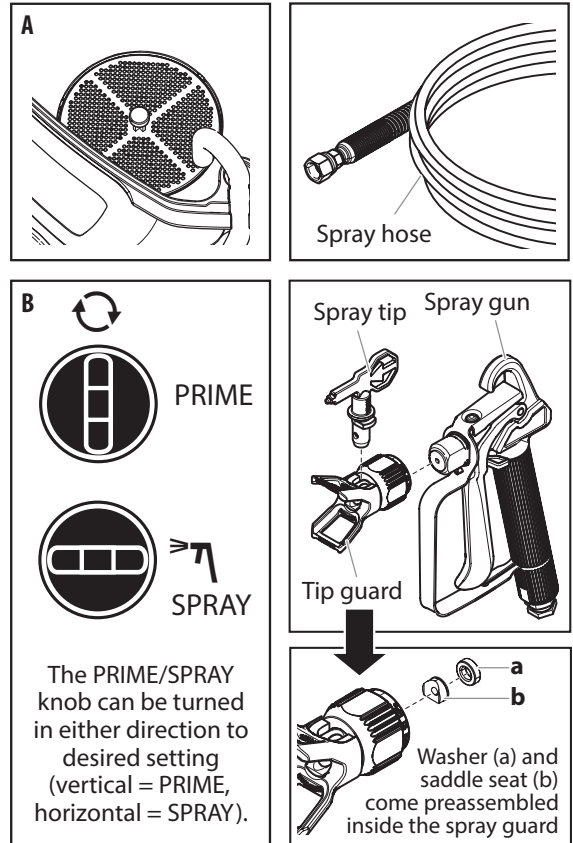
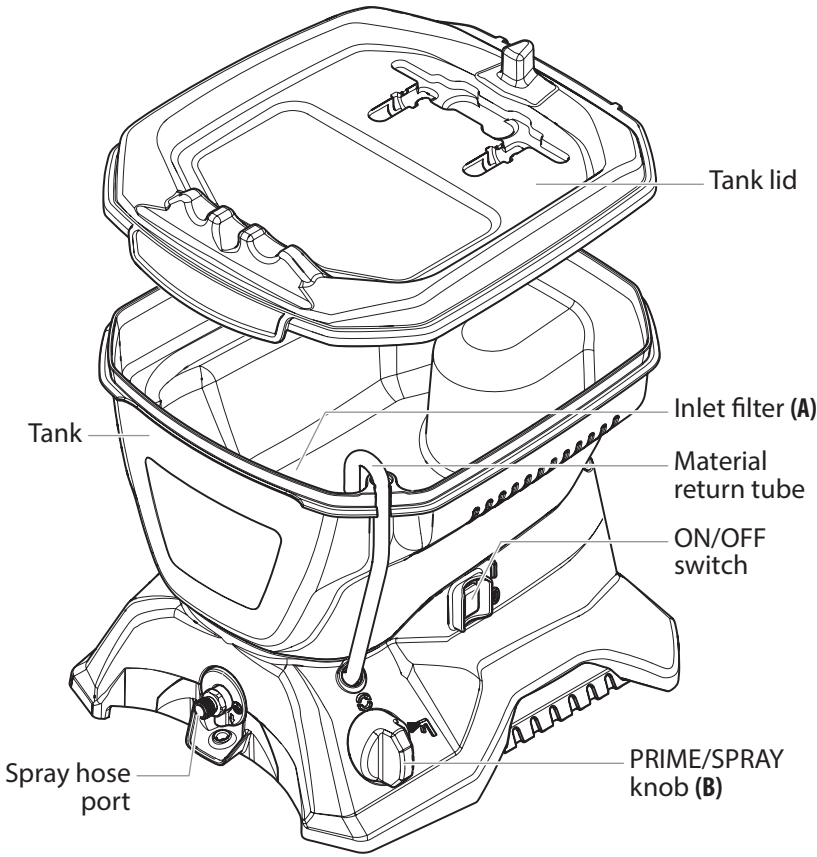
This pump should not be used with textured materials, block filler, lacquers, industrial enamels, or asphalt sealer or materials containing HHC. See coating supplier if flash point is not listed on the container.

Do not spray or clean with liquids having a flash point of less than 38°C (100°F). Flash point is the temperature at which a fluid can produce enough vapor to ignite.

## SAFETY FEATURES

Spray gun trigger lock and pressure diffuser; built-in tip safety guard; PRIME/SPRAY knob for safe pressure release. Conforms to UL STD 1450. Certified to CSA C22.2 NO 68.

# PARTS AND COMPONENTS



## ASSEMBLY

	Do not plug in the power cord until assembly is complete.
	Remove the plastic cap from the spray hose port and the plastic plug from the end of the spray hose prior to assembly.

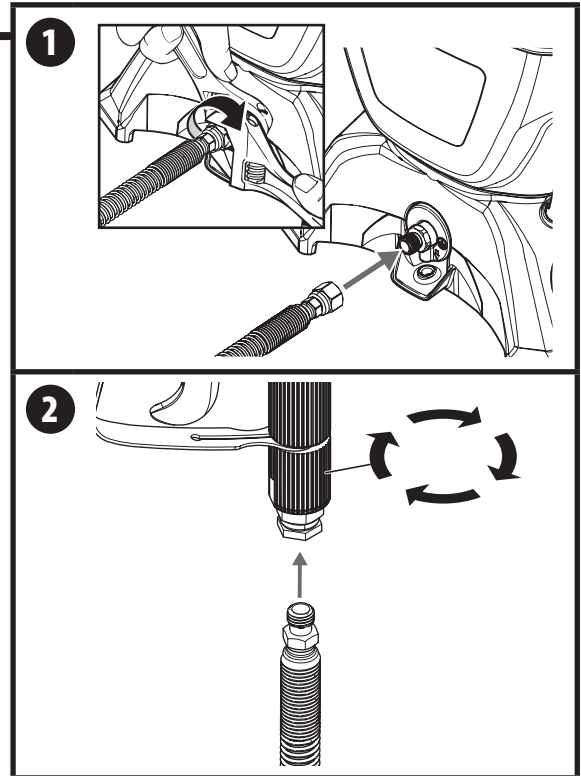
## TOOLS NEEDED

- Two 6" adjustable wrenches

1. Thread one end of the high pressure spray hose to the spray hose port. Hold the port with an adjustable wrench, and tighten the hose with the other. Do not over-tighten.

	If you purchased the accessory hose (sold separately), make sure to attach this accessory hose first to the pump (the same way as step 1, above). Then attach the hose included with the sprayer to the accessory hose.
--	---

2. Spin the gun onto the male fitting on the other end of the spray hose. Turning the gun instead of the hose will make it easier to align the threads. Tighten the hose end with a wrench.



# BEFORE YOU BEGIN

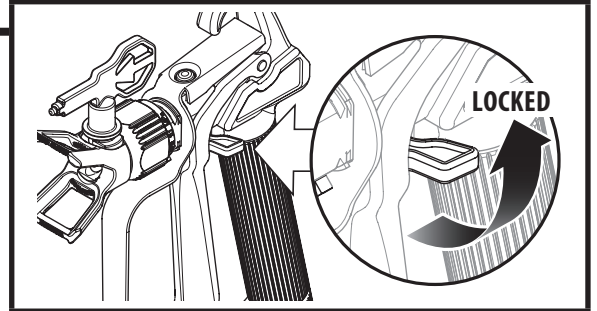


This section contains instructions that will be repeated throughout this manual. Read and understand this section before using the equipment.

## SPRAY GUN TRIGGER LOCK

Engage the trigger lock whenever instructed.

The gun is locked when the trigger lock is at a 90° angle (perpendicular to the trigger in either direction).

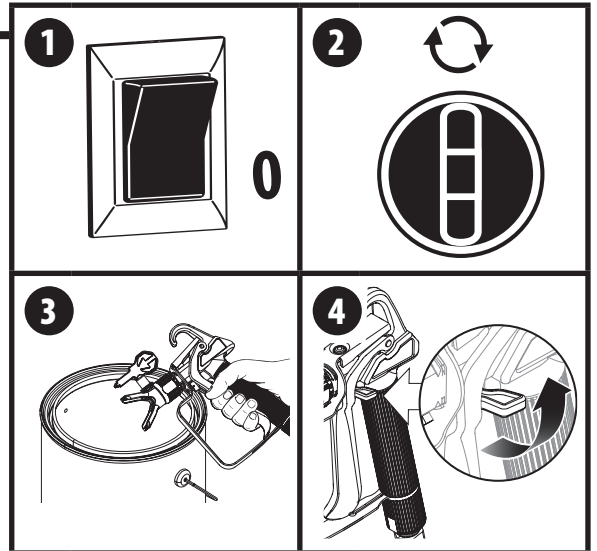


## PRESSURE RELIEF PROCEDURE



Be sure to follow the Pressure Relief Procedure when shutting the unit off for any purpose. This procedure is used to relieve pressure from the spray hose.

1. Turn the power OFF (0).
2. Lock the spray gun. Turn the PRIME/SPRAY knob to PRIME.
3. Unlock the spray gun. Briefly pull the trigger to fully relieve pressure from the system.
4. Lock the spray gun.



## MOVING / EMPTYING THE SPRAYER

When lifting the sprayer in order to move it or empty the tank, secure with both hands the grooved handle area on both sides of the tank.



The sprayer can be heavy when filled with spraying material. Make sure to lift with your legs and not your back in order to reduce the risk of injury.

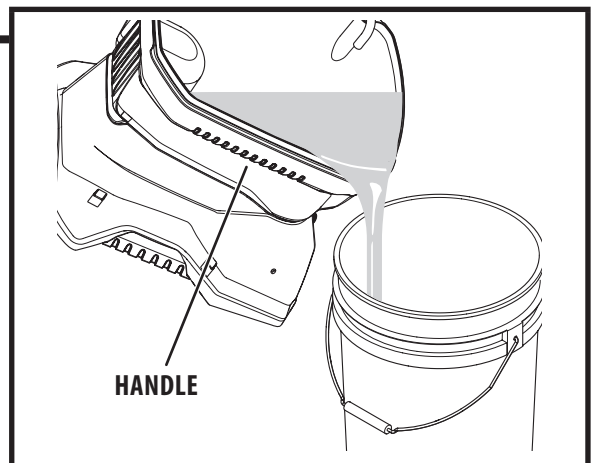
Do not use the tank lid to carry the sprayer as it may slip off, causing the sprayer to be dropped.




Attention

Do not use the hose as a strength member to pull or lift the equipment.

This pump is liquid-cooled. Do not allow the sprayer to run without paint or water in the tank.






# LOAD MATERIAL



	<p>These steps will prime the system and get it ready to spray.</p> <p><a href="http://www.wagnercontrolpro.com/howtoCP130">www.wagnercontrolpro.com/howtoCP130</a></p>
---	---

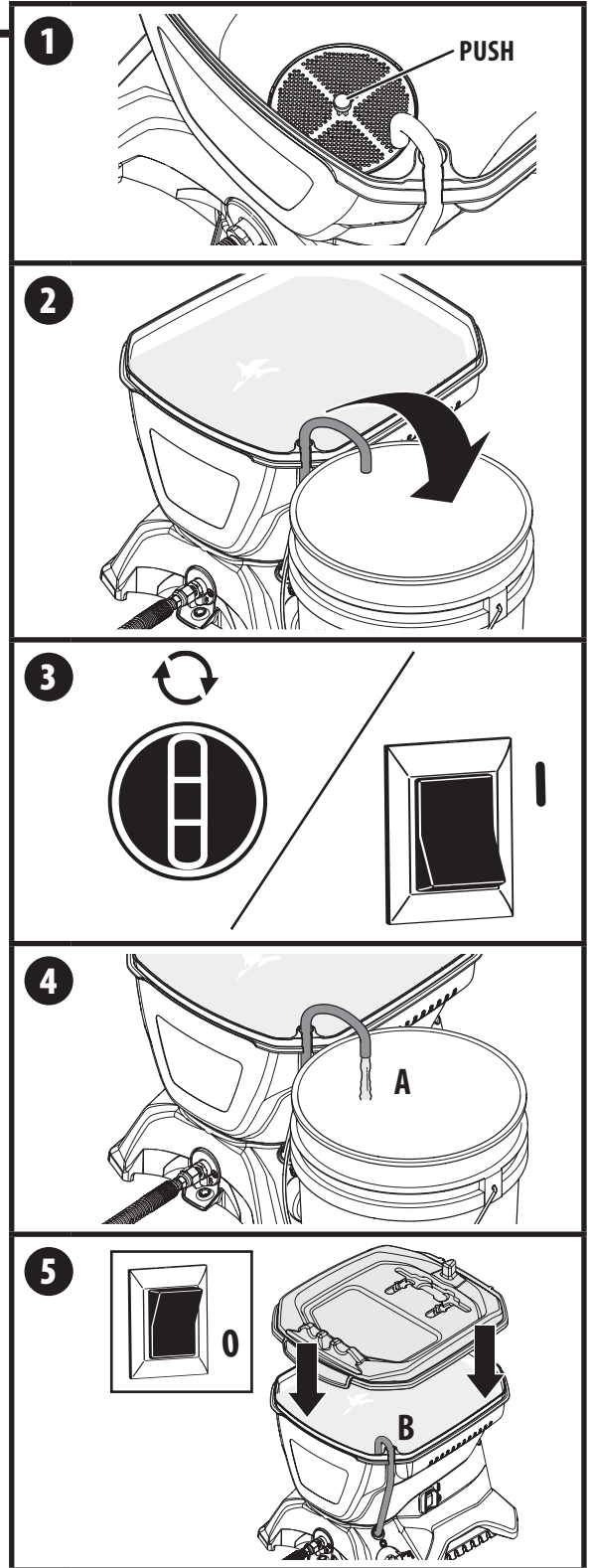
## YOU WILL NEED

- The material you plan to spray
- Extension cord
- Waste bucket

	<p><b>Recommendation:</b> It is good practice to perform the steps on this page using water to familiarize yourself with the function of the unit as well as to ensure the unit is set up properly.</p>
	<p><b>Recommendation:</b> Always use new spray material or material that has been thoroughly strained. Old material often contains debris that can clog the system.</p>
 <p><b>Attention</b></p>	<p>Take care to prevent material spills. Make sure to use drop cloths and mask anything that is in the spraying area and could accidentally be sprayed.</p>

1. Push tab on filter twice to ensure inlet valve operation.
2. Fill the tank with spray material. Pull the return tube from the tank and hold it over a waste container.
3. Plug in the sprayer.  
Turn the PRIME/SPRAY knob to PRIME.  
Turn the power ON (I). Do not run the sprayer dry.
4. Allow pump to run until you see spray material flowing from the return tube (A).
5. Turn power OFF (0).  
Place return tube back into position over the tank (B).  
Replace the tank lid.

	<p>For consistent color results, add spray material regularly in order to mix it.</p> <p>When the tank empties, stop spraying immediately. Refill the tank and then follow steps 3-5.</p>
 <p><b>Attention</b></p>	<p>The tank lid should fit snugly over the tank, but it is not designed to be air- or liquid-tight. Do not tip the unit when it is filled with spray material.</p>





# SPRAYING



Follow these steps to deliver spray material from the tank to the spray gun.

## YOU WILL NEED

- Waste bucket
- Scrap material / cardboard
- Drop cloths to protect floors and furnishings from overspray

**1. Make sure the tip and spray guard are removed.** Point the spray gun into a separate waste container. Unlock the spray gun trigger.

**Squeeze and hold trigger for steps 2-3.**

**2.** Turn the power ON (I).

Turn the PRIME/SPRAY knob to SPRAY.

**3.** Continue to squeeze trigger until the material is flowing freely through the spray gun.

**4.** Perform the **Pressure Relief Procedure**, page 7.

**5. IMPORTANT:** Make sure the washer (a) and saddle seat (b) are installed in the rear of the spray guard. Note the orientation of the saddle seat (b) based on the orientation of the spray tip.

**6.** Make sure the spray gun trigger is locked. Thread the spray tip guard assembly onto the gun. Tighten by hand.

**7.** Make sure the spray tip is rotated forward to the spray position, with the arrow on the tip facing forward.

Unlock the spray gun trigger.

**8.** Turn the power ON (I). Turn the PRIME/SPRAY knob to SPRAY.

Point the spray gun at a piece of scrap material/cardboard.

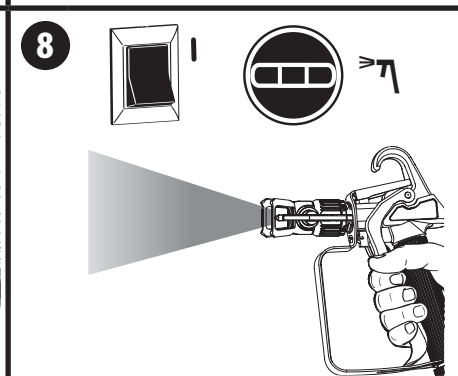
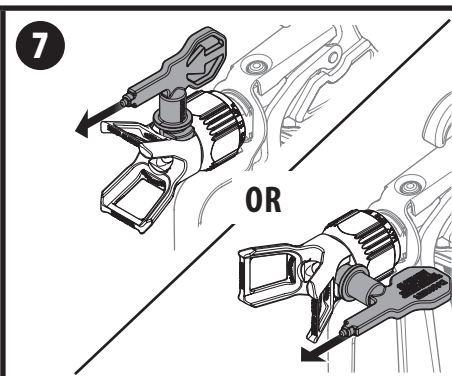
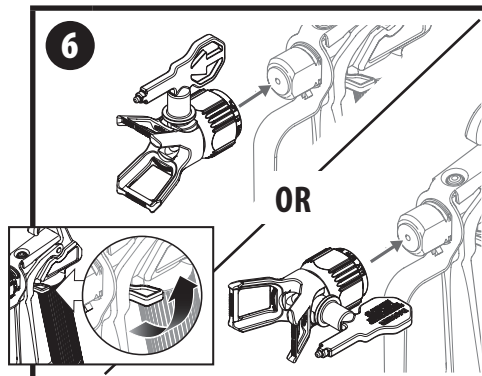
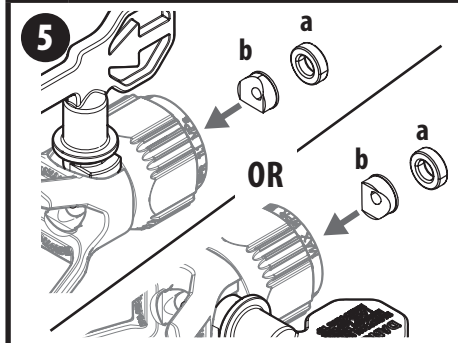
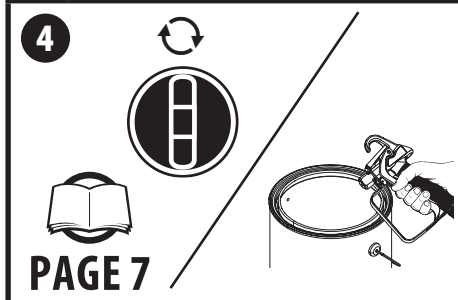
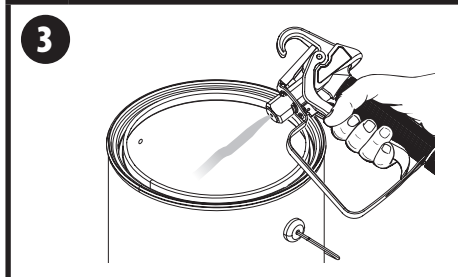
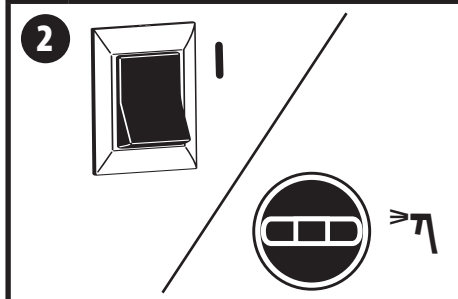
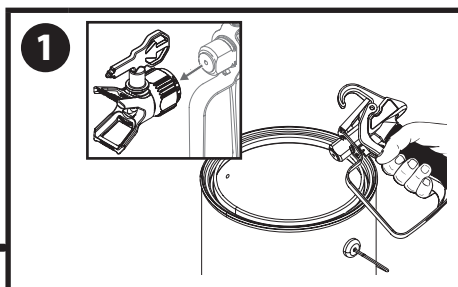
Pull the trigger and practice spraying (see page 10).



Motor will cycle ON and OFF while spraying to regulate pressure. This is normal.

The sprayer will not blow air. There must be spray material or water in the tank.

Do not run the sprayer without spray material or water in the tank.



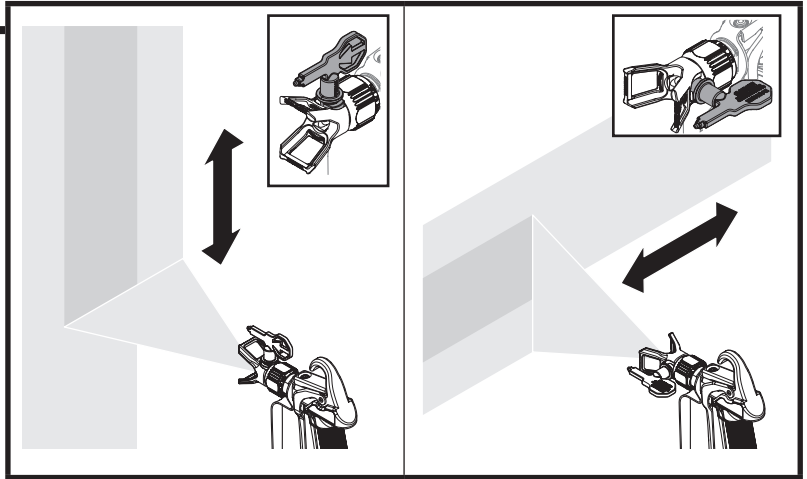
# PRACTICE SPRAYING

## YOU WILL NEED

- A surface to practice spraying (wood, cardboard or scrap drywall)

While spraying, the spray guard / tip assembly can be rotated to better suit your spraying motion.

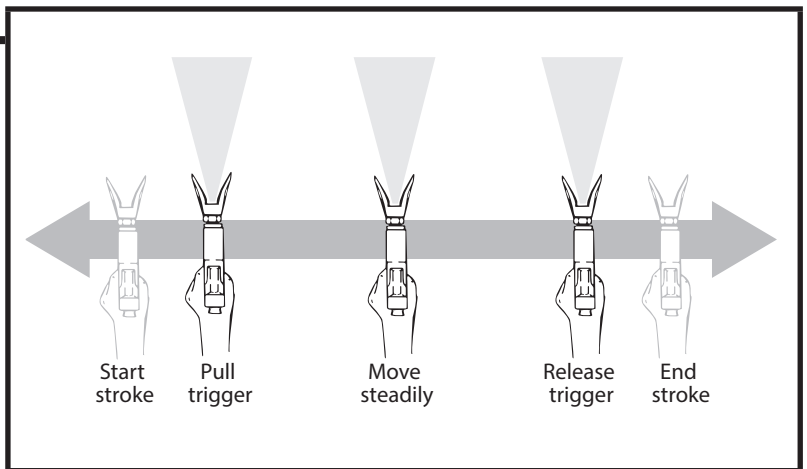
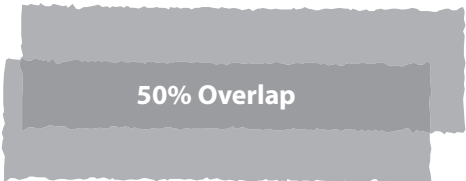
	<p>Lock the spray gun trigger prior to rotating the spray guard / tip assembly. Make sure the spray guard nut is not loosened after rotating.</p>
--	---



Trigger gun after starting the stroke. Release the trigger before ending the stroke.

The spray gun should be moving when the trigger is pulled and released.

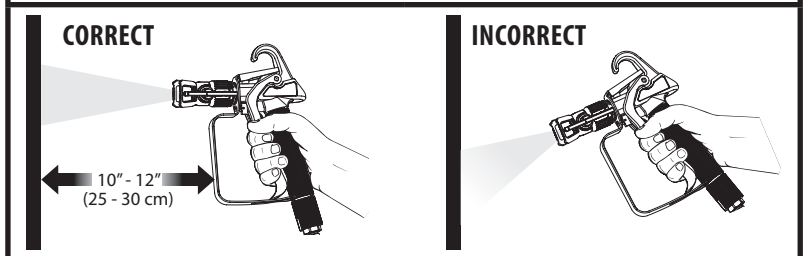
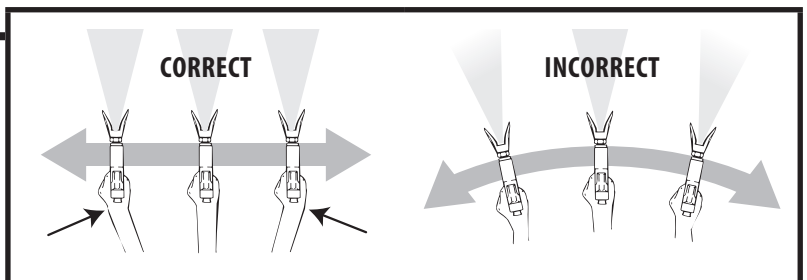
Overlap each stroke by about 50%. This will ensure an even coating.



Flex your wrist as you move in order to keep gun parallel to the surface.

Hold the spray gun level.

	<p>The distance from the spray gun to the spray object should not exceed 16 inches.</p>
--	---



	<p>If the spray pattern becomes distorted or stops spraying completely while the gun is triggered, follow any or all the procedures listed on pages 11-12. If you plan to be away from your spray project for more than one hour, follow the <b>Short Term Storage</b> instructions on page 13. If you have difficulty achieving a good spray pattern, your spray tip may not be ideal for the type of material you are spraying. Refer to <b>Troubleshooting</b> page, 19.</p>
--	---

## SPRAYING TROUBLESHOOTING - CLEAR THE SPRAY TIP



If the spray pattern becomes distorted or stops spraying completely while the gun is triggered, the spray tip could be clogged. Follow the steps below.

### YOU WILL NEED

- Scrap material / cardboard



Do not attempt to unclog or clean the tip with your finger. High pressure fluid can cause injection injury.

1. Lock the spray gun.
2. Rotate spray tip 180 degrees from its current position.



If spray tip is difficult to rotate, relieve pressure by:

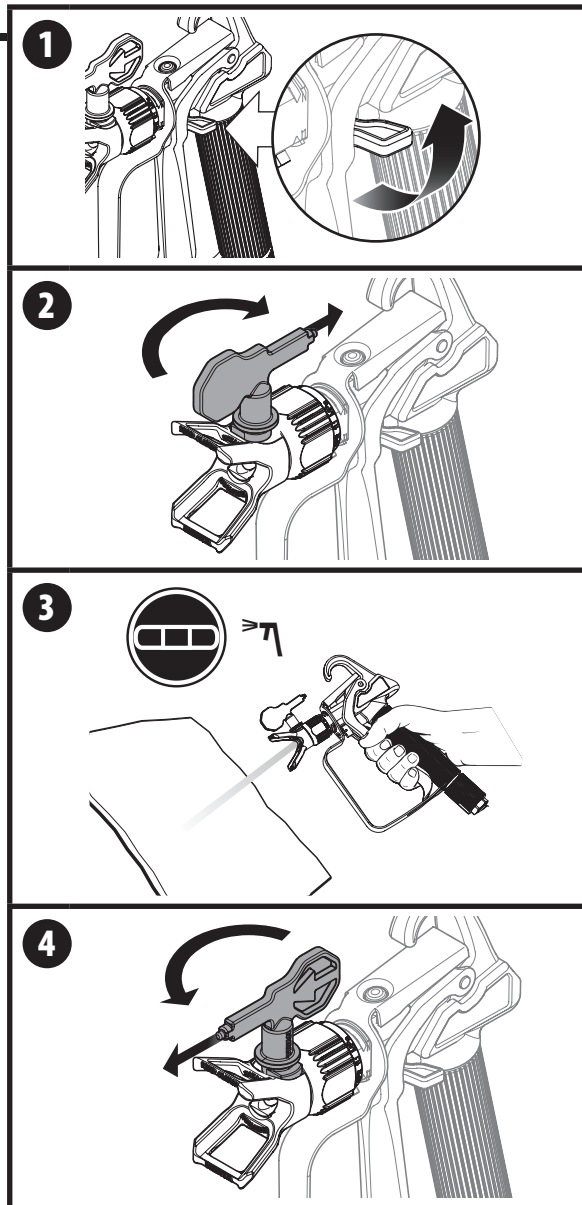
- 1) slowly turn PRIME/SPRAY knob to PRIME,
- 2) unlock the spray gun and
- 3) squeeze trigger while pointing at scrap material/ cardboard.

Release trigger, lock the spray gun, and try rotating spray tip again.

3. Make sure the PRIME/SPRAY knob is turned to SPRAY.  
Unlock the spray gun.  
Point at a piece of scrap material / cardboard and squeeze trigger until material comes out in a high pressure stream. Release the trigger and lock the spray gun.
4. Rotate spray tip forward to the spray position.  
Unlock the spray gun and resume spraying.



If tip clogs are persistent, an optional gun filter may be purchased. See Accessories section (page 58) for optional gun filters.



# SPRAYING TROUBLESHOOTING - CLEAN THE INLET FILTER



If the spray pattern becomes distorted or stops spraying completely while the gun is triggered, the inlet filter could be clogged. Follow the steps below.

## YOU WILL NEED

- Warm, soapy water for latex material
- Mineral spirits for oil based materials



Make sure your floors and furnishings are covered with drop cloths to prevent accidental drips.

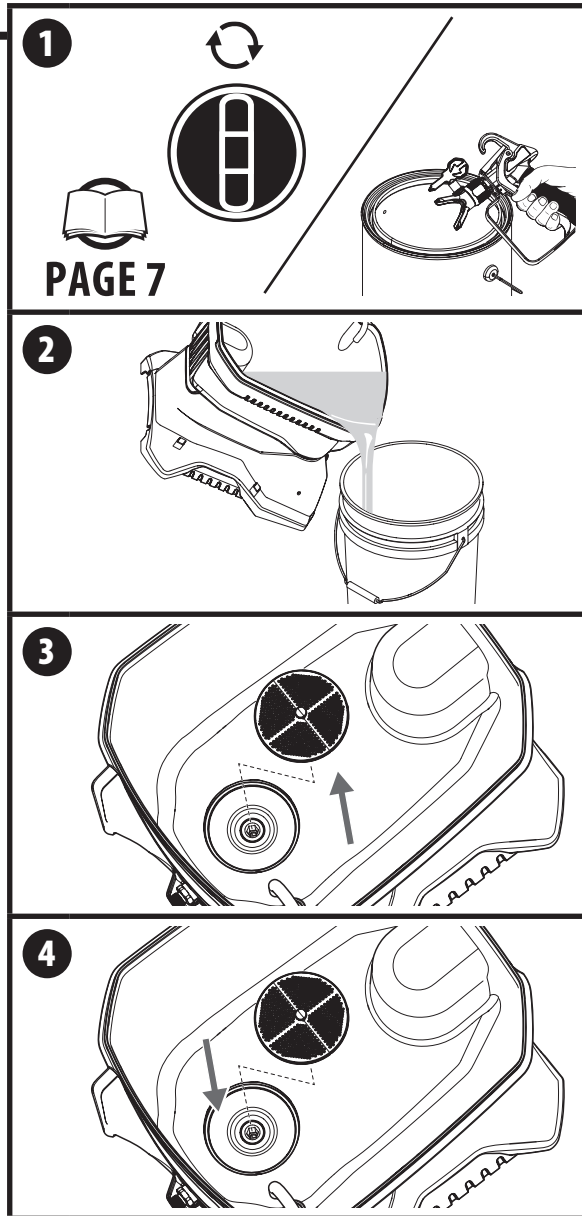
1. Perform the **Pressure Relief Procedure**, page 7.
2. Empty the tank of spray material (see **Moving / Emptying the Sprayer**, page 7. Do not run the sprayer without spray material or water in the tank.
3. Remove inlet filter from tank.  
Clean the inlet filter using the appropriate cleaning solution (warm, soapy water with latex- and water-based materials, mineral spirits with oil-based paints or stains).
4. Snap the inlet filter back into place.  
Resume spraying (follow steps on pages 8-9)



If the inlet filter clogs, it is a good idea to strain the material you are using prior to filling the hopper.



If after completing all of the steps in Spraying Troubleshooting you are still experiencing problems spraying, refer to the **Troubleshooting** section (page 19).



# SHORT TERM STORAGE



This procedure should be used when taking a short term break or when ending your project for the day. If your break is longer than 16 hours follow **Cleanup** instructions, pages 14-15.

## YOU WILL NEED

- Water
- Plastic bag
- Damp rags
- Stir stick



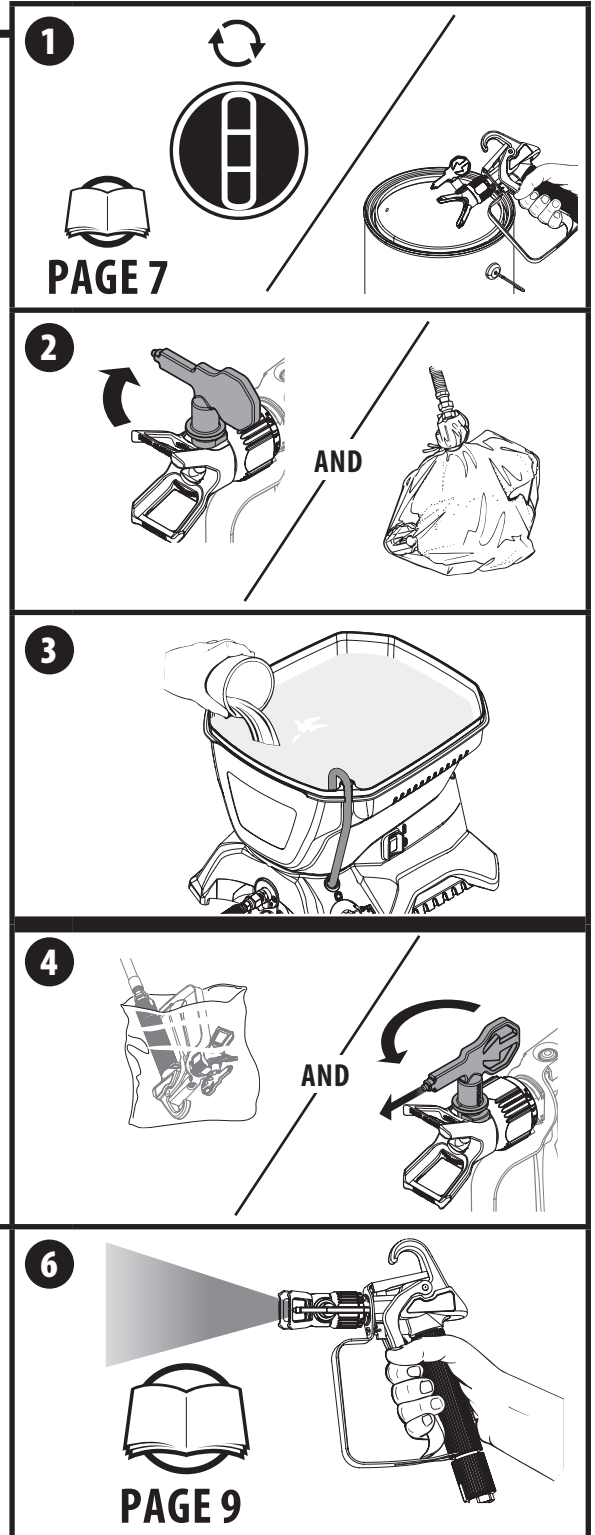
Instructions are for latex materials only! If using oil based material follow instructions for **Cleanup** on pages 14-15.

## SHUTDOWN

1. Perform the **Pressure Relief Procedure**, page 7.
2. Turn spray tip 90°. This will prevent air from drying out any spray material that may be inside the spray tip. Wrap spray tip and guard in a damp rag and then place entire spray gun in plastic bag.
3. Pour 1/2 cup water slowly on the top of the paint to prevent the paint from drying. Replace the hopper lid. Place the entire spraying system out of the sun.

## STARTUP

4. Remove the spray gun from the plastic bag. Turn the spray tip back to the spraying position.
5. If water was added during shut down, stir water into material with the stir stick.
6. Follow **Spraying** instructions, page 9.



# CLEANUP

## CLEANING NOTES - READ BEFORE CLEANING

- When using latex material, clean sprayer and components with warm, soapy water. For oil based material use mineral spirits. Never use mineral spirits with latex materials.
- NEVER use gasoline to clean sprayer.
- Dispose of used cleaning solution properly.
- Thorough cleaning and lubrication of sprayer is important to ensure proper operation after storage.
- If you flush your sprayer with mineral spirits, repeat Cleanup instructions using warm, soapy water.
- **DO NOT SPRAY PUMP ASSEMBLY WITH WATER OR CLEANING SOLUTION.**


## FOLLOW THESE STEPS WHENEVER CLEANING WITH MINERAL SPIRITS:

- If spraying or cleaning with oil-based materials, the spray gun must be grounded while preparing the spray hose or cleaning.
- Ground the gun by holding it against the edge of a metal container while purging. Failure to do so may lead to a static electric discharge which may cause a fire.
- Always flush spray gun at least one hose length from spray pump.
- If collecting flushed solvent in one gallon metal container, place it into an empty five gallon container, then flush.
- Area must be free from vapors.
- Follow all cleanup instructions.


## YOU WILL NEED

- Warm, soapy water if using latex material
- Mineral spirits if using oil-based material
- Empty waste container
- Soft-bristled brush

1. Perform **Pressure Relief Procedure** (page 7).
2. Remove the tip guard from the spray gun.
3. Empty the tank of spray material (see **Moving / Emptying the Sprayer**, page 7).  
Rinse the tank with the appropriate cleaning solution until clean.  
Dispose of the cleaning solution, and then fill the tank again with NEW cleaning solution. Do not run the sprayer without spray material or water in the tank.
4. Remove the spray tip from the tip guard. Carefully place both into the tank full of cleaning solution.

	<p>Allowing the spray tip and tip guard to soak in the tank while flushing will make it easier to clean them afterwards.</p> <p>Take care not to lose the saddle seat and washer located inside the rear of the spray guard.</p>
---	--

5. Point the spray gun at the side of a waste container.

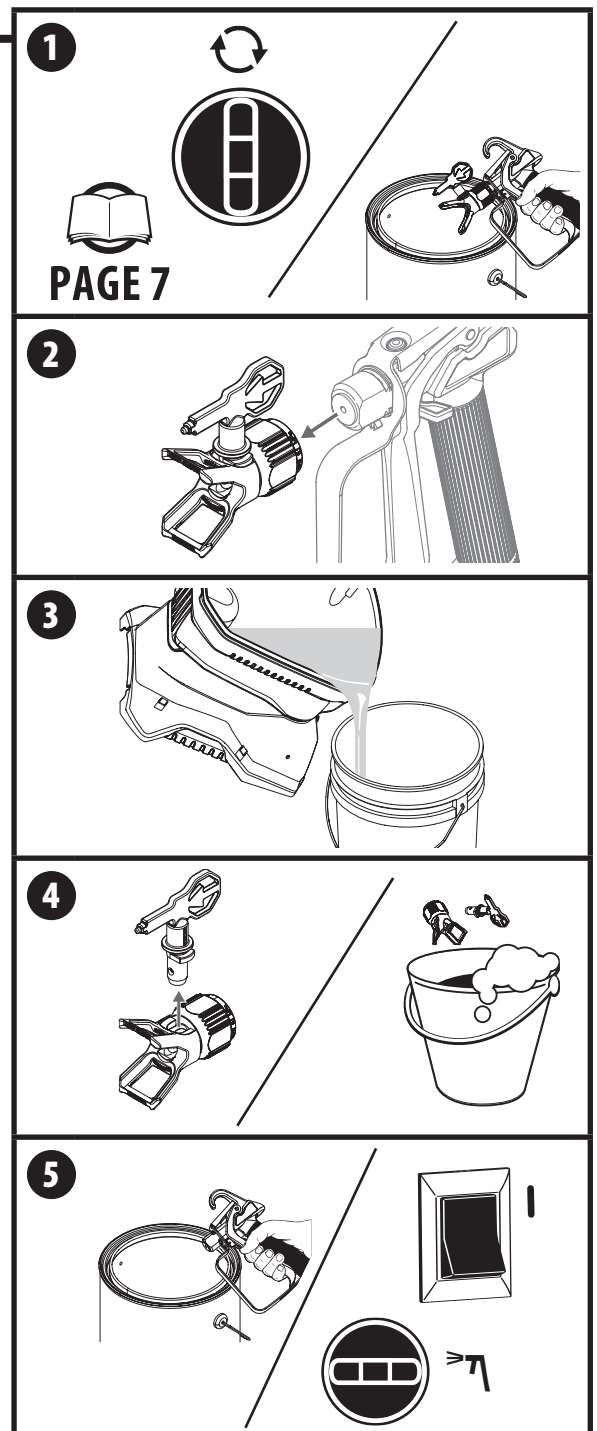
	<p>Ground the gun against the side of a metal waste container if flushing with mineral spirits.</p> <p><b>DO NOT SPRAY THE PUMP ASSEMBLY WITH WATER OR CLEANING SOLUTION.</b></p>
---	---

While squeezing the trigger, turn the sprayer ON (I), and turn the PRIME/SPRAY knob to SPRAY.

Continue squeezing the trigger until fluid is coming out clear. You may need to get new cleaning solution and repeat.


The sprayer will not spray air. It must have spray material or water in the tank.

(Continued on the next page)



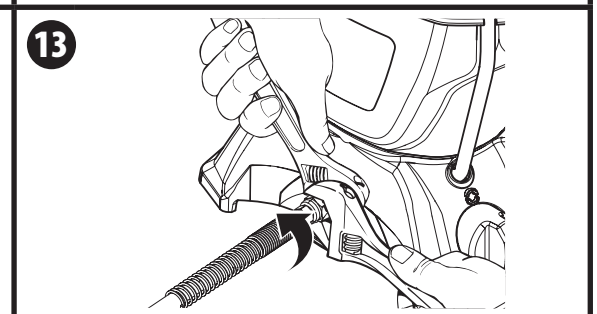
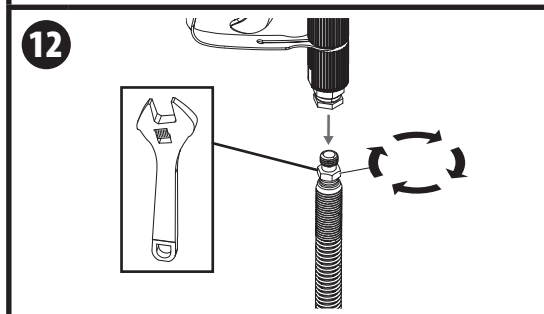
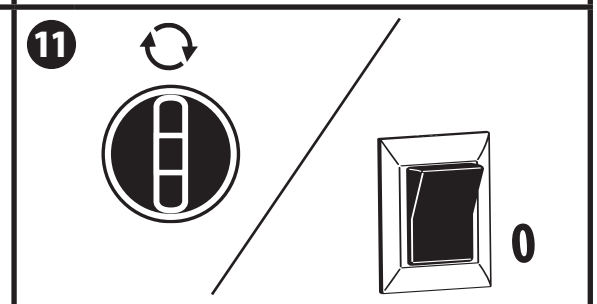
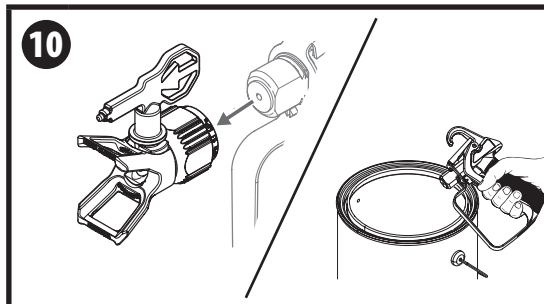
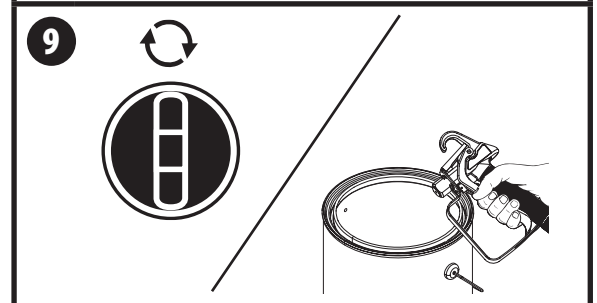
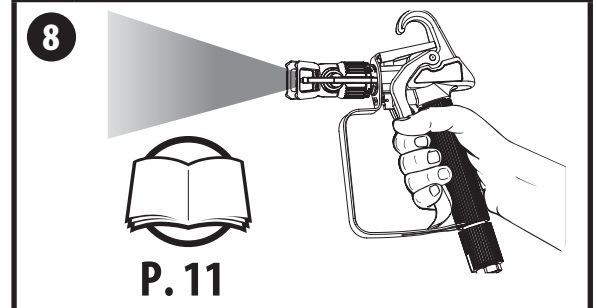
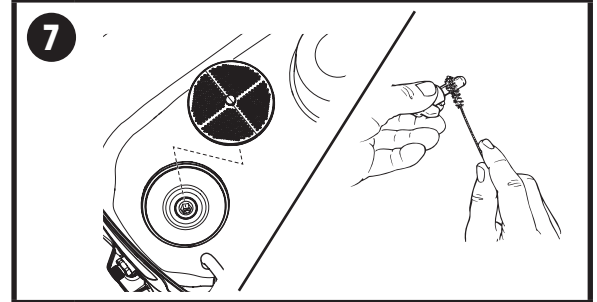
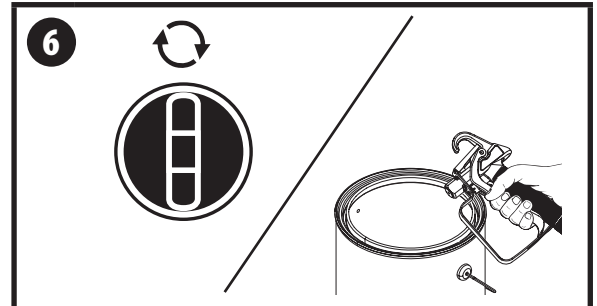
## CLEANUP - CONTINUED

6. Perform **Pressure Relief Procedure** (page 7).
7. Remove the inlet filter. Clean by hand using a soft-bristled brush. Snap back into place when clean.  
Remove the tip guard and spray tip from the cleaning solution. Clean by hand using a soft bristled brush.
8. **IMPORTANT STEP:** Fill the tank with warm, soapy water. Following steps 5-7 in the "Spraying" section, spray at least one gallon of warm, soapy water. This will ensure that the spray tip will be completely clean for the next use.
9. Perform **Pressure Relief Procedure** (page 7).
10. Remove the spray tip assembly.  
Repeat step 5 from above, continuing to squeeze the trigger until fluid comes out clear.

 <b>Attention</b>	<p>This pump is liquid-cooled. Do not allow the sprayer to run without paint or water in the tank.</p>
---	--

11. Turn PRIME/SPRAY knob to PRIME. Turn power OFF.  
Replace the spray tip/tip guard assembly.
12. Grip the spray hose fitting near the spray gun with a wrench. Loosen and remove the spray hose from the gun.
13. Place a wrench on the outlet valve to secure it. Using the second wrench, remove the spray hose.  
Hold one end of the spray hose higher than the other and drain the hose of all cleaning solution into a waste container. Properly dispose of the cleaning solution.

Move on to the Long Term Storage steps, next page.



# LONG TERM STORAGE

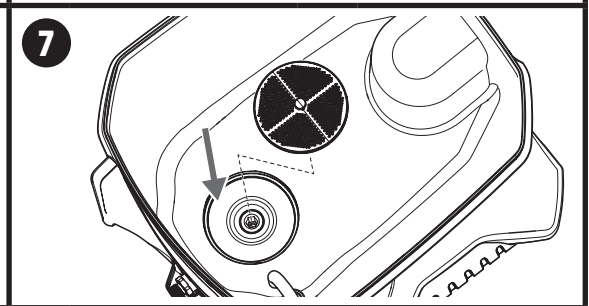
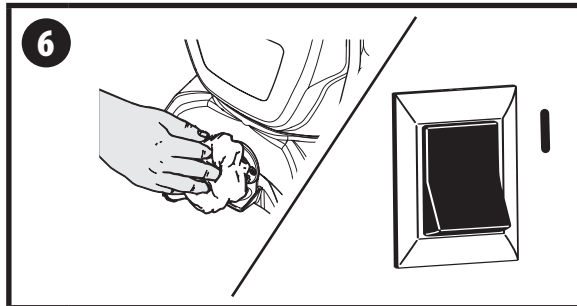
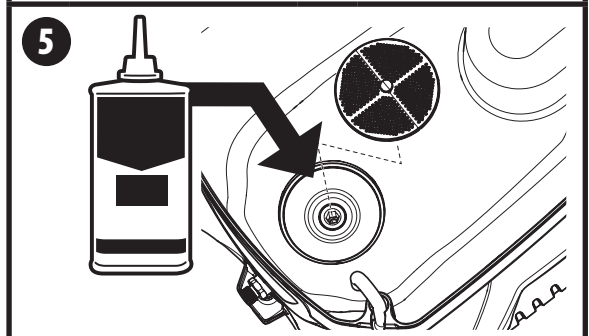
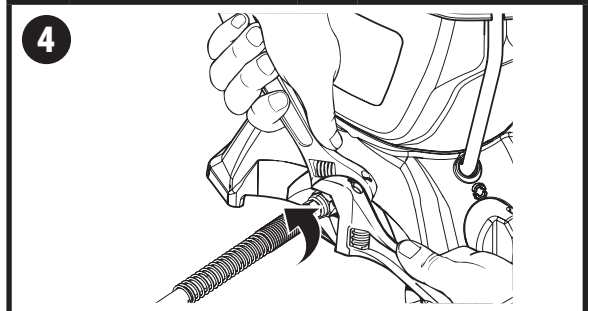
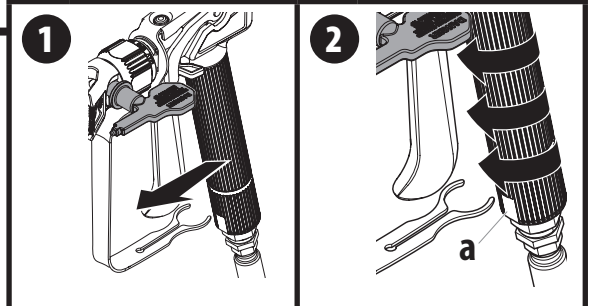


Follow these steps to prepare your sprayer for long-term storage.

## YOU WILL NEED

- Light household oil (such as 10W30 motor oil or vegetable oil for example) / All Guard
- Rags
- Two adjustable wrenches

1. Pull trigger guard from gun housing.
2. Tighten the wrench over the wrench flats (a). Unscrew the gun housing using a wrench.
3. Tip the spray gun upside down and pour a few drops of All Guard inside the gun housing nut (DO NOT remove the nut).  
A penetrating oil like WD40 can be substituted.  
Reassemble the spray gun.
4. Place a wrench on the outlet valve to secure it. Using the second wrench, remove the spray hose.
5. Remove the inlet filter. Pour approximately 2 ounces of All Guard inside the inlet valve housing. A light oil can be substituted (such as 10W30 motor oil or vegetable oil for example).
6. Cover the outlet valve with a rag. Turn the power ON (I) and let the pump run for 5 seconds.  
Turn power OFF.
7. Replace inlet filter. Wipe entire unit, hose, and spray gun to remove accumulated spray material.



Attention

Store the unit indoors with the power cord wrapped around the base.



# MAINTENANCE - CLEANING THE INLET VALVE



Cleaning or servicing the inlet valve may be required if the unit has priming problems. Priming problems may be prevented by properly cleaning the sprayer and following the long-term storage steps.

## YOU WILL NEED

- 8 mm (5/16") hex wrench
- Needle nose pliers
- Warm, soapy water if using latex material
- Mineral spirits for oil based material
- Household oil (such as 10W30 motor oil or vegetable oil for example)

1. Perform the Pressure Relief Procedure, found in the main instruction manual, to ensure the pump is shut off and depressurized. Remove the tank lid.

Remove the inlet filter (1).

Using the lid as a tray for the parts, insert an 8 mm (5/16") hex wrench into the hex opening (2) and unscrew the inlet valve fitting (2) from the sprayer.

You may need to use a ball point pen, tweezers, screwdriver, O-ring pick, and/or needle nose pliers to remove the inlet valve seat (3), inlet valve ball (4), spring (5), and O-ring (6). **A spare spring (5) is included with your sprayer.**



### Suggestion for removal of the inlet valve assembly

After removing the inlet filter (1) insert an 8 mm (5/16") hex wrench into the hex opening (2) and unscrew the inlet valve fitting (2) from the sprayer.

Snap the lid back onto the sprayer, turn it upside down, and tap the bottom of the sprayer a few times to loosen the inlet seat (3), ball (4), and spring (5).

With the sprayer still upside down carefully remove the lid. Be careful not to lose any of the removed parts unless you plan to replace them instead of clean them.

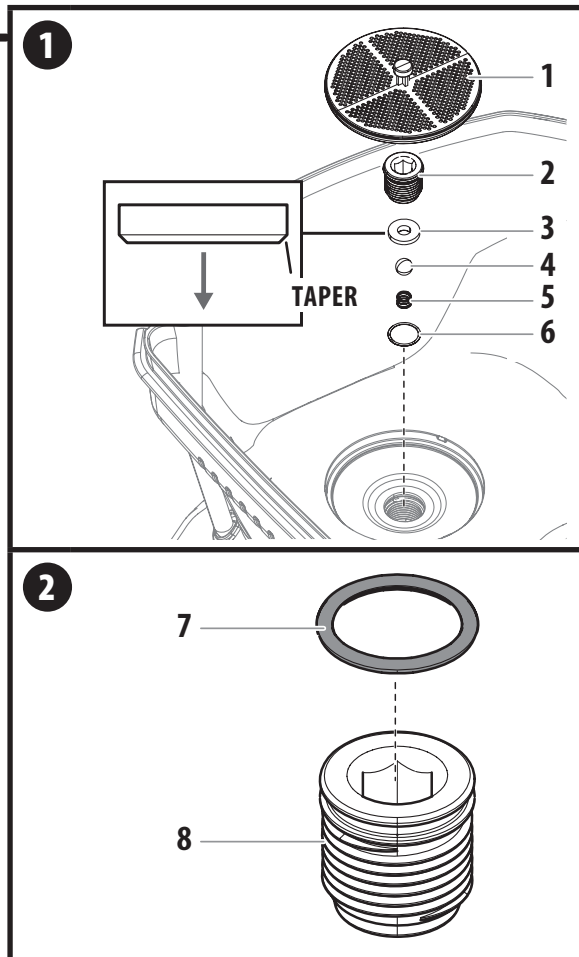
Flip the sprayer right-side up again and remove the O-ring (6) with an O-ring pick or tweezers.

Inspect and clean the inlet valve housing area where the inlet valve assembly was removed with the appropriate cleaning solution.

2. Lubricate the O-ring (7) with penetrating oil (WD40) and install onto the inlet fitting (8). Lubricate the O-ring (7) once more after it is installed on the inlet fitting.
3. Replace all parts back into the inlet valve housing in the reverse order of how they were removed.

**Note the correct orientation of the inlet valve seat (3). The taper should be facing downward upon reinstallation.**

Replace inlet valve fitting (2) by screwing it into the sprayer. Tighten securely with a 8mm (5/16") hex wrench. Torque to 50-57 in. lbs (5.5 - 6.5 N.m). **Do not overtighten the inlet valve fitting.**



Replace inlet filter (1).



If priming problems persist, you may need to replace the inlet valve assembly. Call Technical Service (1-800-328-8251) to order a new inlet valve assembly.

## MAINTENANCE - CLEANING THE OUTLET VALVE



Cleaning or servicing the outlet valve may be necessary if spray performance remains poor after following the steps in the Troubleshooting section. Call Technical Service (1-800-328-8251) to order a new outlet valve assembly.

### YOU WILL NEED

- Two 6" adjustable wrenches
- 2.5 mm hex wrench
- Warm, soapy water if using latex material
- Mineral spirits for oil based material

1. Place a wrench on the outlet valve to secure it. Using the second wrench, remove the spray hose.

2. Loosen (**but do not remove**) the set screw just underneath the outlet valve with a 2.5 mm allen wrench.

3. Unscrew outlet valve from outlet valve housing using wrench.

Remove any accumulated material inside outlet valve housing using appropriate solution for material being used.

Pay particular attention to the ball and seat area at the end of the outlet valve (opposite the hose end). Remove any accumulated material.



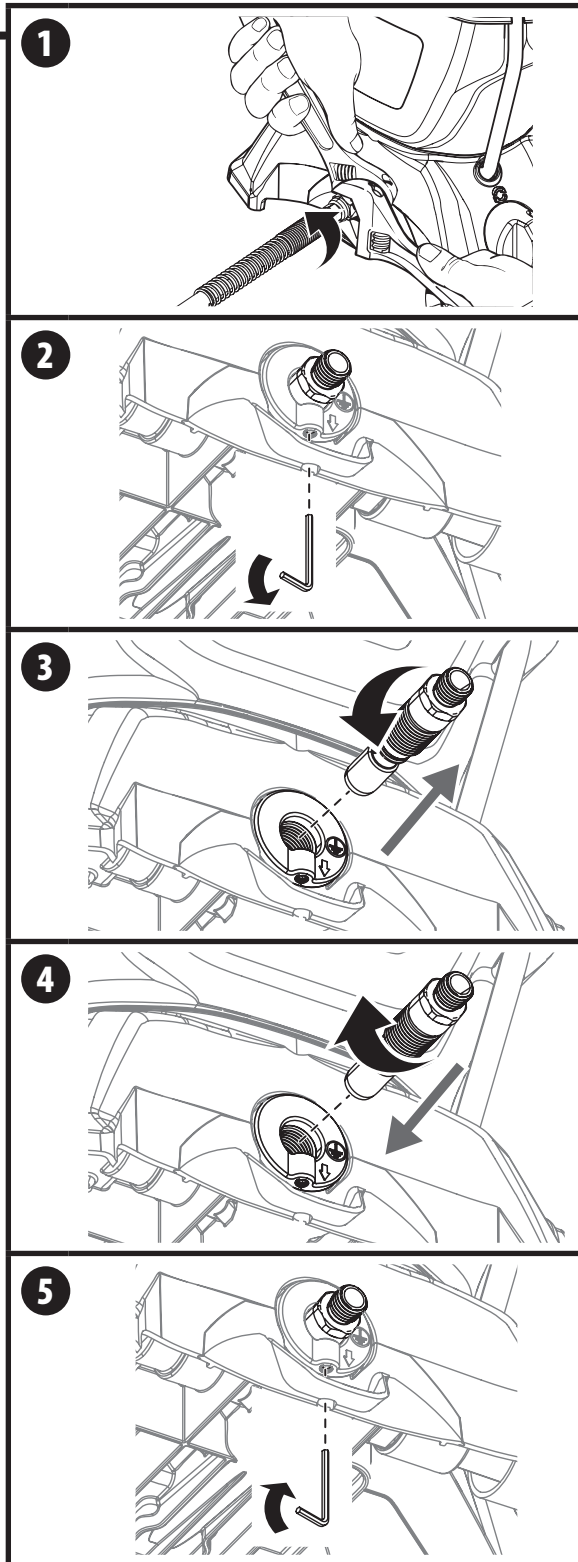
Recommendation: If used with latex-based paints, flush out the outlet valve with water from a faucet.

4. Replace with new or cleaned outlet valve and tighten with wrench. Do not over tighten. Torque to 90-110 in-lbs.

5. Tighten the set screw to secure the outlet valve. Do not over tighten. Torque to 20-25 in-lbs.



It is very important to tighten the set screw to ensure proper grounding of the hose and gun

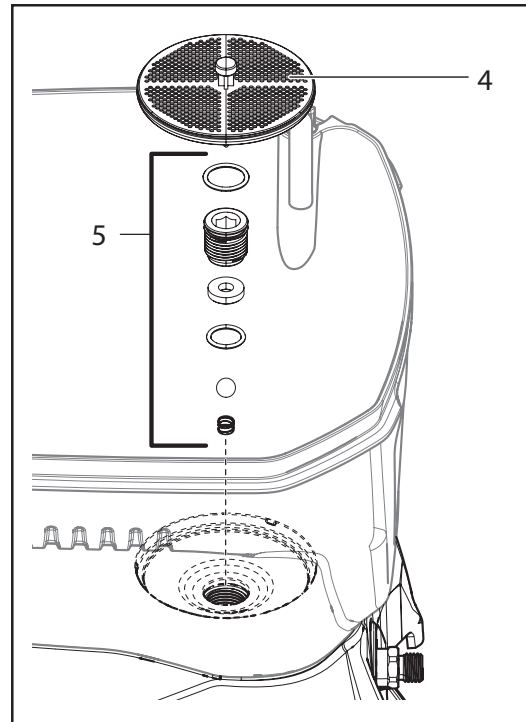
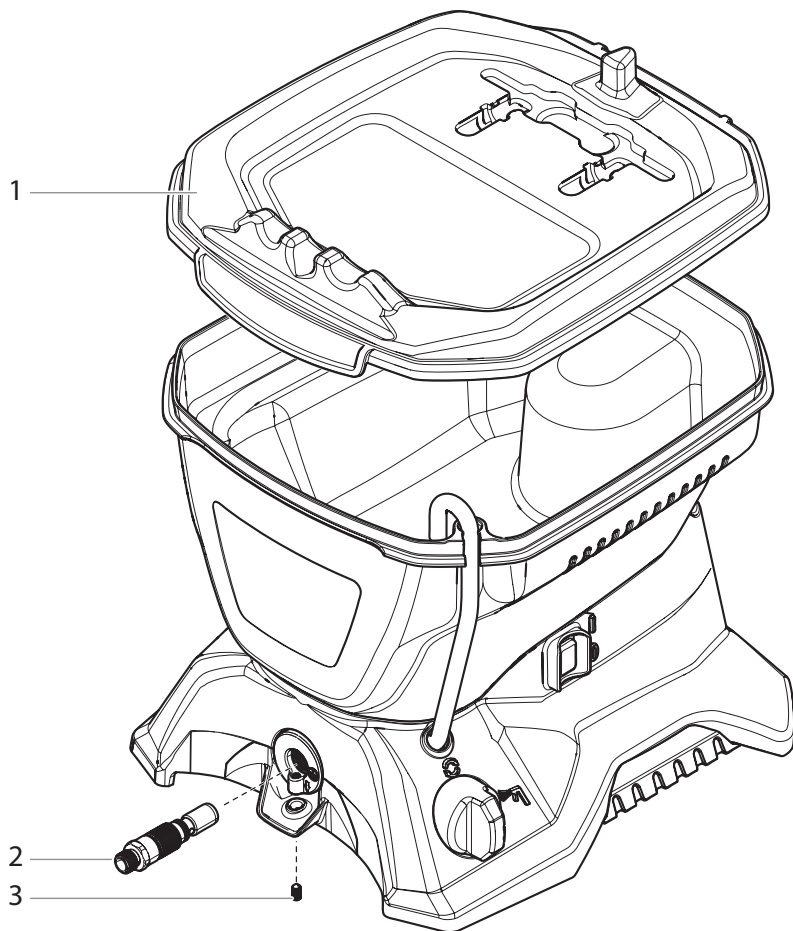


# TROUBLESHOOTING

PROBLEM	CAUSE	SOLUTION
A. The sprayer does not turn on.	<ol style="list-style-type: none"> <li>1. The sprayer is not plugged in.</li> <li>2. The sprayer is turned OFF (0).</li> <li>3. The sprayer shuts off while under pressure.</li> <li>4. No power is coming from power outlet.</li> <li>5. The extension cord is damaged or is not the proper gauge or length.</li> <li>6. There is a problem with sprayer motor.</li> <li>7. Spray tip clogged.</li> </ol>	<ol style="list-style-type: none"> <li>1. Plug the sprayer in.</li> <li>2. Switch the sprayer ON (I).</li> <li>3. Motor will cycle ON and OFF while spraying to regulate pressure. This is normal.</li> <li>4. Reset circuit breaker or find another outlet.</li> <li>5. Refer to General Information.</li> <li>6. Call Technical Service (1-800-328-8251).</li> <li>7. Refer to Clear the Spray Tip.</li> </ol>
B. The sprayer starts but does not draw material when the PRIME/SPRAY knob is set to PRIME	<ol style="list-style-type: none"> <li>1. The inlet valve is stuck from old material.</li> <li>2. There is no suction at the inlet valve.</li> <li>3. The inlet filter is clogged.</li> <li>4. The outlet valve is stuck or contains debris.</li> <li>5. The inlet valve or outlet valve is worn or damaged.</li> <li>6. The PRIME/SPRAY valve is plugged.</li> </ol>	<ol style="list-style-type: none"> <li>1. Push inlet filter tab to release. If still stuck refer to Cleaning the Inlet Valve.</li> <li>2. Remove inlet filter and check suction by placing finger on inlet valve. If no suction, refer to Cleaning the Inlet Valve.</li> <li>3. Refer to Clean the Inlet filter or replace the inlet filter.</li> <li>4. Refer to Cleaning the Outlet Valve.</li> <li>5. Replace the inlet valve or outlet valve.</li> <li>6. Call Technical Service (1-800-328-8251).</li> </ol>
C. The sprayer draws material but the pressure drops when the gun is triggered (bad spray pattern or no spray pattern)	<ol style="list-style-type: none"> <li>1. The spray tip is worn.</li> <li>2. The inlet filter is clogged.</li> <li>3. The spray tip is plugged.</li> <li>4. The material is too heavy or thick.</li> <li>5. The material is too coarse.</li> <li>6. The outlet valve assembly is damaged or worn.</li> <li>7. Spray hose is too long.</li> </ol>	<ol style="list-style-type: none"> <li>1. Replace spray tip with a new one.</li> <li>2. Refer to Clean the Inlet filter, or replace with a new inlet filter.</li> <li>3. Refer to Clear the Spray Tip or replace with a new spray tip.</li> <li>4. Thin the material.</li> <li>5. Strain the material or purchase the accessory filter (see Accessories, page 58).</li> <li>6. Replace the outlet valve.</li> <li>7. Remove any extra hose length that has been added.</li> </ol>
D. The PRIME/SPRAY knob is set to SPRAY and there is flow through the material return tube	<ol style="list-style-type: none"> <li>1. The PRIME/SPRAY valve is dirty or worn.</li> </ol>	<ol style="list-style-type: none"> <li>1. Call Technical Service (1-800-328-8251).</li> </ol>
E. The spray gun leaks	<ol style="list-style-type: none"> <li>1. Internal parts of spray gun are worn or dirty.</li> </ol>	<ol style="list-style-type: none"> <li>1. Call Technical Service (1-800-328-8251).</li> </ol>
F. The spray tip assembly leaks	<ol style="list-style-type: none"> <li>1. The tip guard nut is loose.</li> <li>2. Tip guard was assembled incorrectly.</li> <li>3. Tip seal is worn</li> </ol>	<ol style="list-style-type: none"> <li>1. Tighten tip guard nut.</li> <li>2. Remove and assemble correctly.</li> <li>3. Replace tip seal</li> </ol>
G. The spray gun will not spray	<ol style="list-style-type: none"> <li>1. The spray tip plugged.</li> <li>2. The spray tip is in wrong position.</li> <li>3. PRIME/SPRAY knob not set on SPRAY.</li> <li>4. Accessory filter is dirty or plugged.</li> </ol>	<ol style="list-style-type: none"> <li>1. Refer to Clear the Spray Tip .</li> <li>2. Rotate spray tip to SPRAY position.</li> <li>3. Turn PRIME/SPRAY knob to SPRAY.</li> <li>4. Clean or replace.</li> </ol>
H. The spray pattern is poor (tailing)	<ol style="list-style-type: none"> <li>1. The spray tip is plugged.</li> <li>2. The inlet filter is clogged.</li> <li>3. The spray tip is worn.</li> <li>4. The material is too heavy or thick.</li> <li>5. Spray hose is too long.</li> </ol>	<ol style="list-style-type: none"> <li>1. Refer to Clear the Spray Tip</li> <li>2. Refer to Clean the Inlet filter or replace with a new inlet filter.</li> <li>3. Replace the spray tip.</li> <li>4. Thin material per manufacturer's recommendations.</li> <li>5. Remove any extra hose length that has been added.</li> </ol>
I. The spray tip will not turn	<ol style="list-style-type: none"> <li>1. High pressure has locked the spray tip in place.</li> </ol>	<ol style="list-style-type: none"> <li>1. Refer to Clear the Spray Tip.</li> </ol>

# PARTS LIST • LISTE DE PIÈCES • LISTA DE PIEZAS

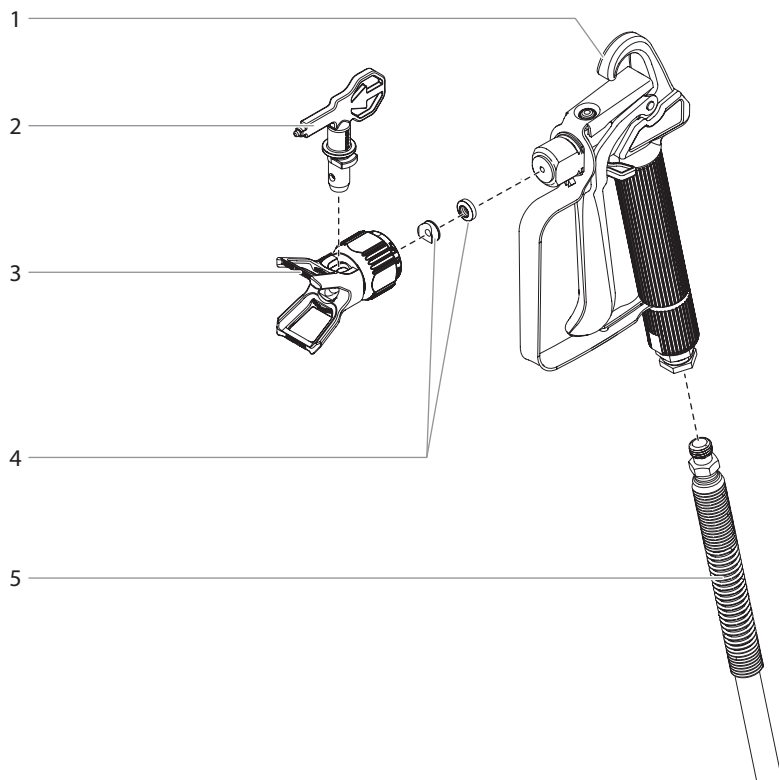
## MAIN ASSEMBLY • ENSEMBLE PRINCIPAL • MONTAJE PRINCIPAL



#	130	Description	Description	Descripción
1	0580538A	Tank lid	Couvercle de la réservoir	Tapa de la tanque
2	0580072A	Outlet valve assembly	Ensemble de la soupape de sortie	Conjunto de la válvula de salida
3	0580070	Set screw	Vis de pression	Tornillo de ajuste
4	0580662A	Inlet filter	Filtre d'entrée	Filtro de entrada
5	0580732	Inlet valve kit	Trousse de la soupape d'entrée	Kit de válvula de entrada

# PARTS LIST • LISTE DE PIÈCES • LISTA DE PIEZAS

## SPRAY GUN ASSEMBLY • PISTOLET DE PULVÉRISATION • PISTOLA DE ROCIADORA



Replacement parts available by calling customer service

On peut obtenir des pièces de rechange en appelant le Service à la clientèle.

Los repuestos están disponibles llamando al servicio a clientes.

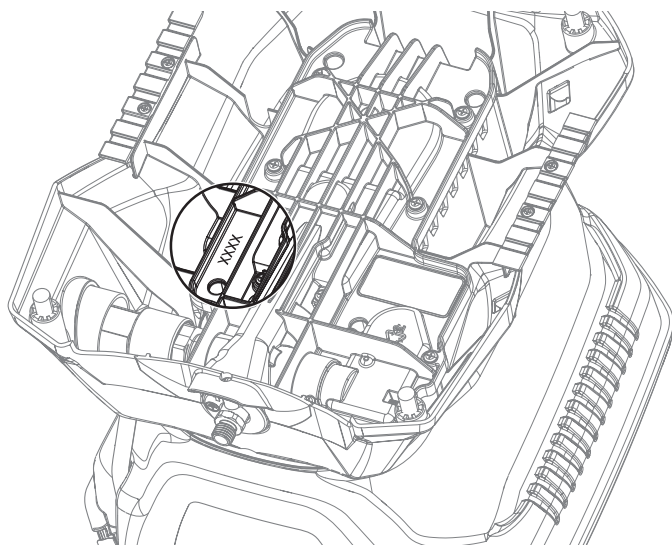
**1-800-328-8251**

#	130	Description	Description	Descripción
1	0580688	Spray gun assembly, Control Pro T	Ensemble du pistolet de pulvérisation, Control Pro T	Conjunto de la pistola pulverizadora, Control Pro T
2	0580606	Spray tip, 515	Embout, 515	Boquilla de pulverización, 515
3	0580767	Spray guard assembly (includes item 4)	Ensemble anti-éclaboussure (inclut le article 4)	Conjunto de la protección de pulverización (incluye le elemento 4)
4	0580777	Tip seal kit	Trousse de joint de l'embout	Juego de junta de la boquilla
5	0580660	Spray hose (25')	Tuyau de pulvérisation (7 m)	Manguera de pulverización (7 m)

## ACCESSORIES • ACCESSOIRES • ACCESORIOS

PART NO.	DESCRIPTION	DESCRIPTION	DESCRIPCIÓN
<b>SPRAY GUNS</b>		<b>PISTOLETS DE PULVÉRISATION</b>	<b>PISTOLAS DE PULVERIZACIÓN</b>
0580600	Control Pro spray gun	Pistolet de pulvérisation Control Pro	Pistola de pulverización de Control Pro
0580601	Control Pro M spray gun	Pistolet de pulvérisation Control Pro M	Pistola de pulverización de Control Pro M
<b>SPRAY TIPS AND ACCESSORIES</b>		<b>EMBOUTS DE PULVÉRISATION ET ACCESSOIRES</b>	<b>BOQUILLA DE ROCIADO Y ACCESORIOS</b>
0580602	211 Control Pro Tip	Embout de Control Pro 211	Boquilla de Control Pro 211
0580603	311 Control Pro Tip	Embout de Control Pro 311	Boquilla de Control Pro 311
0580604	313 Control Pro Tip	Embout de Control Pro 313	Boquilla de Control Pro 313
0580605	413 Control Pro Tip	Embout de Control Pro 413	Boquilla de Control Pro 413
0580606	515 Control Pro Tip	Embout de Control Pro 515	Boquilla de Control Pro 515
0580609	Control Pro Tip Guard	Protège-embout Control Pro	Protección de la boquilla Control Pro
<b>SPRAY GUN FILTERS</b>		<b>FILTRES DU PISTOLET</b>	<b>FILTROS DE PISTOLA</b>
0154675	Filter, 50 mesh (white) - paints and solid stains	Filtre, maille 50 (blanc) - peintures et teintures solides	Filtro, malla 50 (blanco) - Pinturas y tinturas sólidas
0154842	Filter, 100 mesh (yellow) - semi-transparent and transparent stains	Filtre, maille 100 (jaune) - Teintures transparentes/semitransparentes	Filtro, malla 100 (amarillo) - Tinturas transparentes o semitransparentes
0154918	Filter, 180 mesh (red) - transparent stains and sealers	Filtre, maille 180 (rose) - Teintures et peintures d'impression transparentes	Filtro, malla 180 (rosa) - Tinturas y selladores transparentes
<b>MISC. ACCESSORIES</b>		<b>ACCESSOIRES DIVERS</b>	<b>ACCESORIOS VARIOS</b>
0580437A	Control Pro 12" Tip Extension	Rallonge d'embout Control Pro de 30 cm	Extensión de la boquilla de 30 cm Control Pro
0512131W	Control Pro 24" Tip Extension	Rallonge d'embout Control Pro de 61 cm	Extensión de la boquilla de 61 cm Control Pro
0501014A	Tip Seal Kit	Trousse du joint de l'embout	Conjunto de la junta de la boquilla
0154839B	All Guard (32 oz)	All Guard (946 ml)	All Guard (946 ml)
0516913A	Piston Oil (4 oz)	Piston Oil (118 ml)	Piston Oil (118 ml)
0580612	Control Pro Spray hose (25')	Tuyau de pulvérisation (7 m) Control Pro	Manguera de pulverización (7 m) Control Pro
0580614	Control Pro Spray hose (50')	Tuyau de pulvérisation (15 m) Control Pro	Manguera de pulverización (15 m) Control Pro

## DATE CODE LOCATION • EMBLACEMENT DU CODE DE DATE • UBICACIÓN DEL CÓDIGO DE FECHA



# WARRANTY

## AIRLESS PAINT SPRAY EQUIPMENT

This product, manufactured by Wagner, is warranted to the original retail purchaser against defects in material and workmanship for two years from date of purchase.

This warranty does not cover damage resulting from improper use, accidents, user's negligence or normal wear. This warranty does not cover any defects or damages caused by service or repair performed by anyone other than a Wagner Authorized Service Center. This warranty does not apply to accessories.

WAGNER SHALL NOT IN ANY EVENT BE LIABLE FOR ANY INCIDENTAL OR CONSEQUENTIAL DAMAGES OF ANY KIND, WHETHER FROM BREACH OF THIS WARRANTY OR ANY OTHER REASON.

If any product is defective in material and/or workmanship during the applicable warranty period, please call Wagner Technical Service at 1-800-328-8251. **DO NOT RETURN THE PRODUCT TO THE ORIGINAL RETAILER.** Under Wagner's Free Tool Replacement Program, Wagner Technical Service will either replace the defective part, or refer you to your nearest Authorized Service Center for repair.

SOME STATES DO NOT ALLOW LIMITATIONS ON HOW LONG AN IMPLIED WARRANTY LASTS OR THE EXCLUSION OF INCIDENTAL OR CONSEQUENTIAL DAMAGES, SO THE ABOVE LIMITATION AND EXCLUSION MAY NOT APPLY TO YOU.

**THIS WARRANTY GIVES YOU SPECIFIC LEGAL RIGHTS, AND YOU MAY ALSO HAVE OTHER RIGHTS WHICH VARY FROM STATE TO STATE.**

# GARANTIE

## MATÉRIEL DE PULVÉRISATION DE PEINTURE SANS AIR

Ce produit, fabriqué par Wagner, est garanti, au bénéfice de l'acheteur au détail d'origine, contre tout vice de matières et toute malfaçon pour deux années à compter de la date d'achat.

La présente garantie ne s'applique pas aux dégâts entraînés par une utilisation incorrecte, par la négligence de l'utilisateur ou par l'usure normale. La présente garantie ne s'applique pas non plus aux défauts ou dommages résultant de l'entretien ou de la réparation que fait une personne quelconque qui ne soit pas membre d'un centre d'entretien autorisé pour les produits Wagner. La présente garantie ne s'applique pas aux accessoires.

WAGNER NE POURRA EN AUCUN CAS ÊTRE TENUE RESPONSABLE DE DOMMAGES-INTÉRÊTS INDIRECTS OU CONSÉCUTIFS, QUE CE SOIT POUR UNE RUPTURE DE CETTE GARANTIE OU TOUTE AUTRE RAISON.

En cas de défaut de matériau ou de fabrication du produit durant la période de garantie applicable, appelez le Service technique Wagner au 1 800 328-8251. **NE RENVOYER PAS LE PRODUIT AU DÉTAILLANT ORIGINAL.** Dans le cadre du programme de remplacement gratuit d'outils Wagner, le Service technique Wagner remplacera la pièce défectueuse ou vous indiquera le centre de service agréé le plus proche.

CERTAINES PROVINCES INTERDISENT LES RESTRICTIONS SUR LA DURÉE D'UNE GARANTIE IMPLICITE OU L'EXCLUSION DES DOMMAGES ACCESSOIRES OU INDIRECTS. IL SE PEUT DONC QUE LA RESTRICTION ET L'EXCLUSION ÉNONCÉES CI-DESSUS NE S'APPLIQUENT PAS À VOUS.

**LE PRÉSENTE GARANTIE VOUS ACCORDE DES DROITS JURIDIQUES SPÉCIFIQUES, ET VOUS AVEZ PEUT-ÊTRE D'AUTRES DROITS, QUI PEUVENT VARIER D'UNE PROVINCE À L'AUTRE.**

# GARANTÍA

## EQUIPO DE ATOMIZACIÓN DE PINTURA SIN AIRE

Esta garantía no cubre los daños que sean resultado de un uso inapropiado, accidentes, negligencia del usuario o un desgaste normal. Esta garantía no cubre ningún defecto o daño que haya sido causado por los servicios o reparaciones llevadas a cabo por alguien que no sea un técnico del Centro de Servicio Autorizado de Wagner. Esta garantía no es válida para ningún accesorio.

WAGNER NO SERÁ EN NINGÚN CASO RESPONSABLE DE NINGÚN DAÑO INCIDENTAL O DE CONSECUENCIA DE NINGUNA CLASE, QUE RESULTE DE VIOLAR ESTA GARANTÍA O POR CUALQUIER OTRA RAZÓN.

Si algún producto presenta fallas en los materiales y/o en su fabricación durante el periodo de vigencia de la garantía, llame al Servicio Técnico de Wagner al 1-800-328-8251. **NO DEVUELVA EL PRODUCTO A LA TIENDA DONDE LO ADQUIRIÓ.** Gracias al Programa de Reemplazo de Herramientas Gratis de Wagner, el Servicio Técnico de Wagner reemplazará la pieza defectuosa o lo derivará al Centro de Servicio Autorizado más cercano para su reparación.

ALGUNOS ESTADOS NO PERMITEN LIMITACIONES EN CUANTO A LA DURACIÓN DE UNA GARANTÍA IMPLÍCITA O LA EXCLUSIÓN DE DAÑOS INCIDENTALES O DE CONSECUENCIA, DE MANERA QUE LA LIMITACIÓN Y EXCLUSIÓN ANTERIORES PODRÍAN NO SER VÁLIDAS PARA USTED.

**ESTA GARANTÍA LE CONCEDE DERECHOS LEGALES ESPECÍFICOS, PERO USTED PODRÍA TENER DERECHO A OTROS, LOS CUALES VARIAN DE UN ESTADO A OTRO.**

## **QUESTIONS?**

Call Wagner Technical Service at:

**1-800-328-8251**

Register your product online at:

**[www.wagnerspraytech.com](http://www.wagnerspraytech.com)**

## **BESOIN D'AIDE?**

Appelez le service technique Wagner

**1-800-328-8251**

Enregistrement du produit en ligne sur le site :

**[www.wagnerspraytech.com](http://www.wagnerspraytech.com)**

## **¿NECESITA AYUDA?**

Llame Wagner Technical Service al:

**1-800-328-8251**

Regístrelo del producto en línea en:

**[www.wagnerspraytech.com](http://www.wagnerspraytech.com)**

# **CONTROL PRO™ 130 POWER TANK**