

# DVG50R5200W

SAMSUNG

## Samsung Top Load Gas Dryer with Sensor Dry

7.4 cu. ft. Capacity DOE



### Signature Features

#### Sensor Dry

- Automatically optimizes the time and temperature of your drying cycle to protect your clothes from heat damage, while avoiding excessive energy use.

#### 10 Preset Drying Cycles

- More cycles to cover almost every drying need for your active family.

#### Smart Care

- Easy troubleshooting from the convenience of your smartphone.<sup>1</sup> Smart Care interacts with your washer and dryer to perform an immediate diagnosis and offer quick solutions.

### Available Color



White



Sensor Dry



Smart Care

### Features

- Sensor Dry
- 10 Preset Drying Cycles
- Smart Care
- 9 Additional Drying Options
- Interior Drum Light
- 3-Way Venting
- Powder Coat Interior
- 5 Temperature Levels
- 7.4 cu. ft. Capacity
- Reversible Door
- LED Display: Ice Blue

### Convenience

- Child Lock
- Lint Filter Indicator

<sup>1</sup>Requires Samsung Smart Washer/Dryer App. The Samsung Smart Washer/Dryer app supports Android OS 2.3.6 or later and iOS 3 or later for iPhone models. Smart Washer/Dryer app available in App Store and Play Store.

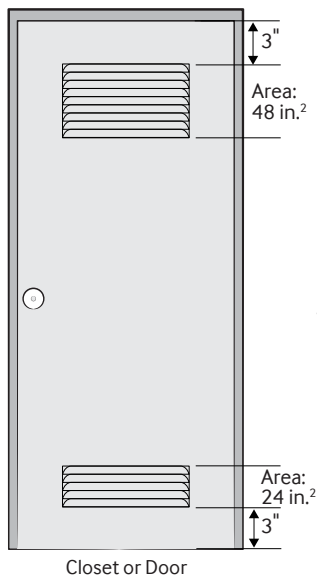
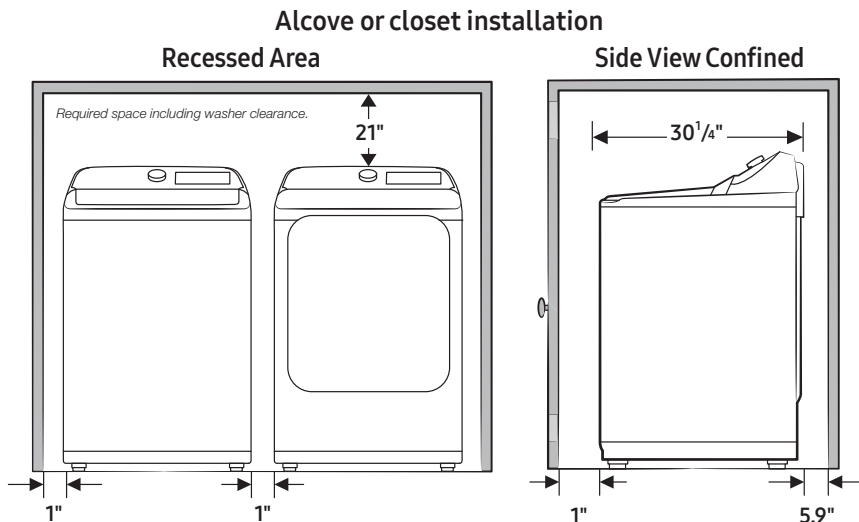
# DVG50R5200W

# SAMSUNG

## Samsung Top Load Gas Dryer with Sensor Dry

7.4 cu. ft. Capacity DOE

### Installation Specifications

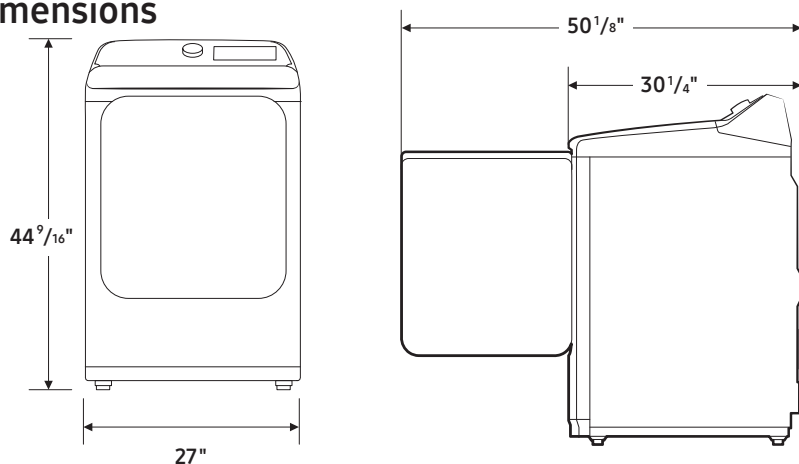


#### Minimum clearances for closets and alcoves:

Sides – 1"  
Top – 21"  
Rear – 5.9"  
Closet Front – 1"

If both the washer and a dryer are installed in the same location, the front of the alcove or closet must have two unobstructed air openings for a combined minimum total area of 72-inch<sup>2</sup>. This clearance requirement is applicable for washers only.

### Dimensions



### 3-Way Venting

#### 10 Preset Drying Cycles:

Normal, Heavy Duty, Permanent Press, Bedding, Delicates, Sanitize, Time Dry, Air Fluff, Quick Dry, Wrinkle Release

#### 9 Additional Drying Options:

Damp Alert, Wrinkle Prevent, Adjust Time (Up), Adjust Time (Down), Child Lock, Alarm Off, Eco Dry, Smart Care, Drum Light

#### 5 Temperature Levels:

High, Medium High, Medium, Medium Low, Low

#### 5 Dry Levels:

More Dry, Normal-More Dry, Normal Dry, Normal-Less Dry, Less Dry

#### Warranty

One (1) Year Parts and Labor

#### Product Dimensions & Weight (WxHxD)

Dimensions: 27" x 44 9/16" x 30 1/4"

Weight: 119.0 lbs

#### Shipping Dimensions & Weight (WxHxD)

Dimensions: 29 9/16" x 46 15/16" x 31 3/16"

Weight: 125.7 lbs

Gas	Model #	UPC Code
White	DVG50R5200W	887276300764

Electric	Model #	UPC Code
White	DVE50R5200W	887276300733

#### Matching Washer

White	WA50R5200AW	887276300528
-------	-------------	--------------

#### Accessories

Vent Kit	DV-2A	887276146416
----------	-------	--------------