

MAINTENANCE AND STORAGE



WARNING: Before performing any maintenance or cleaning work, switch off the engine and wait until the blade has come to a stop.

CLEANING

GENERAL CLEANING

The lawn mower should be cleaned thoroughly every time after it has been used. Always clean your lawn mower immediately after use.

Do not allow grass cuttings and other debris to become dry and hard on any of the mower surfaces. Dried grass remnants and dirt may impair the mowing operation.

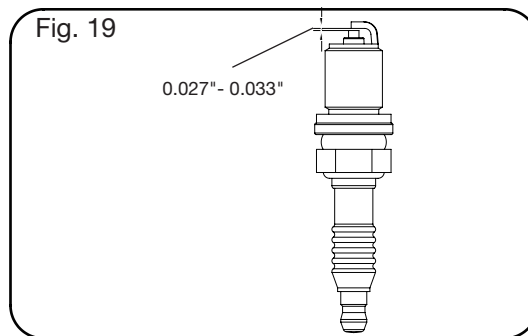
Check that the grass chute is free of any residual grass. Remove any such residue. Check the underside of the lawn mower and the blade mount. When checking, tilt the lawn mower onto its left side (opposite the oil filler neck).



NOTE: Before placing the lawn mower on its side, fully drain the fuel tank using a gas extraction pump. Do not tilt the lawn mower by more than 90 degrees.

MAINTENANCE OF THE SPARK PLUG

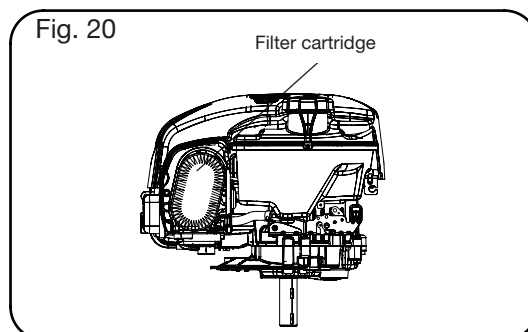
As shown in Fig. 19



1. Once the engine has cooled, pull off the spark cover with a twist.
2. Remove the spark plug using a spark plug wrench (not supplied).
3. Clean the spark plug with a wire brush (not supplied).
4. Using a feeler gauge, set the gap to 0.027" - 0.033" (0.686 - 0.838 mm).
5. Install the spark plug carefully by hand to avoid cross-threading.
6. After the spark plug is seated, tighten with the spark plug wrench to compress the washer.

MAINTENANCE OF THE AIR FILTER

As shown in Fig. 20



MAINTENANCE AND STORAGE

Soiled air filters reduce the engine output by restricting air to the carburetor. If the air contains a lot of dust, the air filter should be checked more frequently.



WARNING! Never run the engine without the air filter element installed.

1. Press tabs at the top of the air filter cover and tilt away from the engine to remove the cover.
2. Remove the filter cartridge.
3. To loosen debris, gently tap the filter cartridge on a hard surface. If the filter cartridge is excessively dirty, replace with a new one.



Note: Never clean the air filter cartridge with gas or inflammable solvents. Clean the air filter cartridge only with compressed air or by tapping it.

4. Install the filter cartridge.
5. Close the cover and secure it properly by snapping tabs back into the correct slots at the top.

CHECK AND ADD THE ENGINE OIL

The Briggs & Stratton 675EXi engine on this lawn mower is made with a special feature Check & Add(TM). The oil never needs to be changed. Before each use check the oil level and add additional oil if the level is not within the Min - Max levels.

REPLACING THE BLADE

For safety reasons you should only ever have your blade sharpened, balanced and mounted by an authorized service workshop. For optimum results, it is recommended that the blade be inspected once a year.



WARNING! Before you remove the grass collection bag, stop the engine and wait until the blade stops completely.



WARNING! You will need garden gloves (not provided) and a wrench (not provided) to remove the blade.



NOTE! Don't invert the mower. Tip it slightly towards the oil filler pipe and reach under the deck.



WARNING! Always handle the blade with care; sharp edges could cause injury. USE GLOVES. Replace your metal blade after 50 hours mowing or 2 years, whichever is sooner, regardless of condition.



WARNING! If the blade is cracked or damaged, replace it with a new one.



WARNING! Don't hold the blade by hand directly.



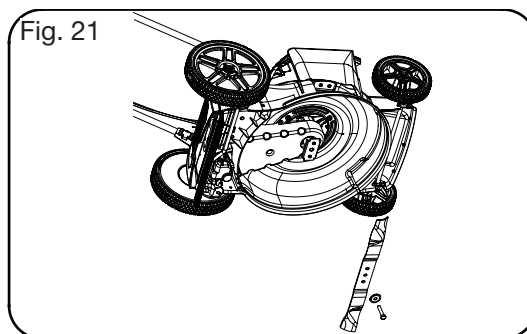
NOTE! Maintain the sharpness of the blade when cutting grass. If the blade has worn excessively and become pitted and blunt, it should be replaced or sharpened. The sharpness of the blade will affect the performance of the lawn mower.

MAINTENANCE AND STORAGE

For safety reasons we recommend that the blade only be changed by someone qualified and authorized to do so.

Hold the blade and unscrew the blade bolt counter-clockwise using a wrench. Remove the washer and the blade.

Fit a new blade or re-sharpen the blade. Place the blade on the two studs on the blade flange and then replace the washer and bolts. Make sure the blade is correctly located, and then firmly tighten the bolt. Do not over tighten. The up turn of the blade must project into the motor compartment.



STORING THE LAWN MOWER FOR SHORT PERIODS

The lawn mower can be stored for short periods of time (less than 15 days) without performing any storage maintenance. Before placing the lawn mower into storage always do the following:

1. Allow the engine to fully cool.
2. Ensure the grass bag is empty.
3. Clean all debris from under the mower deck.
4. Store the lawn mower on a flat and level surface with the mower upright.
5. Store in a safe place which is not accessible by children or people who are not familiar with the lawn mower's operation.

STORING THE LAWN MOWER FOR EXTENDED PERIODS

If the lawn mower is to be placed into storage for more than 15 days, storage maintenance must be performed on the lawn mower. If the following steps are not carried out, when you next operate the lawnmower it may not start correctly and may need to be serviced.



CAUTION! Do not empty the gas tank in enclosed areas, near fire or when smoking. Gas fumes can cause explosions and fire.

1. Empty the gas tank with a gas suction pump if available.
2. Start the engine and let it run until any remaining gas has been used up.
3. Clean the cooling fins of the cylinder and the housing.
4. Be sure to clean the entire machine to protect the paint.
5. Store the machine in a well-ventilated place.

MAINTENANCE AND STORAGE

MAINTENANCE SCHEDULE

Performing routine maintenance correctly on your lawn mower will ensure you get years of trouble-free use. Please keep this manual safe for future reference.

It is recommended that the following maintenance schedule is adhered to. This will ensure the lawn mower operates correctly and is safe to use.

| | 12 hours of use | 24 hours of use | 36 hours of use |
|------------|-----------------|-----------------|-----------------|
| Air filter | Clean | Clean | Clean |
| Spark plug | Check | Clean | Clean |
| Engine oil | Check | Check and Add | Check and Add |

TRANSPORTING THE LAWN MOWER

Empty the gas tank. Always let the engine run until it has used up the remainder of gas in the tank. Empty the engine oil from the warm engine. Remove the spark plug cover from the spark plug. Clean the cooling fins of the cylinder and the housing. Use the original packaging to ship whenever possible.

TROUBLE SHOOTING



WARNING: Before performing any maintenance or cleaning work, switch off the engine and wait until the blade has come to a stop.



Caution!

Improper repairs can result in the product functioning unsafely. This endangers yourself and your environment.

Faults which cannot be rectified with the aid of following table may require service by an authorized Yard Force or Briggs & Stratton repair center.

Please be aware that any improper repairs will also invalidate the warranty and additional costs may be incurred.

Use only genuine spare parts. Only these spare parts are designed and suitable for this lawn mower. The use of other spare parts not only voids the warranty, you can also endanger yourself and your environment.

| Fault/malfunction | Cause | Remedy |
|---|--|--|
| Loud while running; machine vibrates heavily. | Screws are loose. Blade fasteners are loose. Blade is unbalanced. | Tighten screws. Tighten blade fasteners. Replace blade. |
| Engine does not start. | Engine on/off control bar pressed. Spark plug is defective. Cutting blade is worn or damaged. Fuel tank is empty. Engine may be flooded. | Press engine on/off control bar. Replace spark plug. Replace it through the customer service centre. Refill with fuel. Remove plug and dry. |
| Engine runs unsteadily. | Air filter is soiled. Spark plug is soiled. | Clean the air filter. Clean the spark plug. |
| Uneven mowing results. | Blade is blunt. Cutting height is too low. | Sharpen the blade. Set correct height. |
| Grass bag is not filled sufficiently. | Blade is worn. Grass bag is clogged. Cutting height is not right. The lawn/grass is wet. Discharge channel/housing is blocked. Underside of the mower deck is clogged. | Replace the blade. Empty the grass bag. Correct the cutting height. Allow the lawn to dry. Clean the discharge channel/housing. Clean the underside of the mower deck. |