

SIEMENS

Ingenuity for life



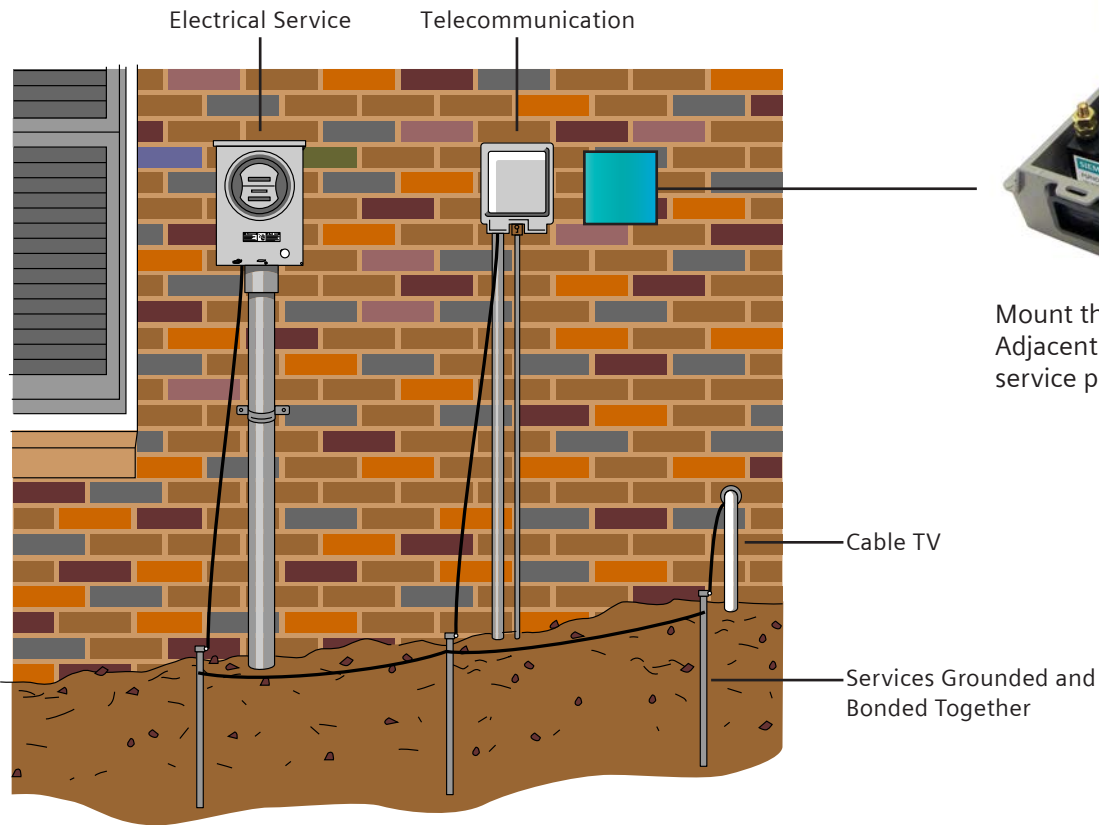
Residential SPD

FSPHONE / FSPHONE4X

Installation Instructions
Surge Protection for Telephone or Modem
Connected Electronics

usa.siemens.com/surge

Mounting Instructions



Mount the FSPHONE 4X Adjacent to the telephone service panel.

Mount the FSPHONE 4X surge protector so as to minimize the possibility of dirt or moisture getting into the protector.

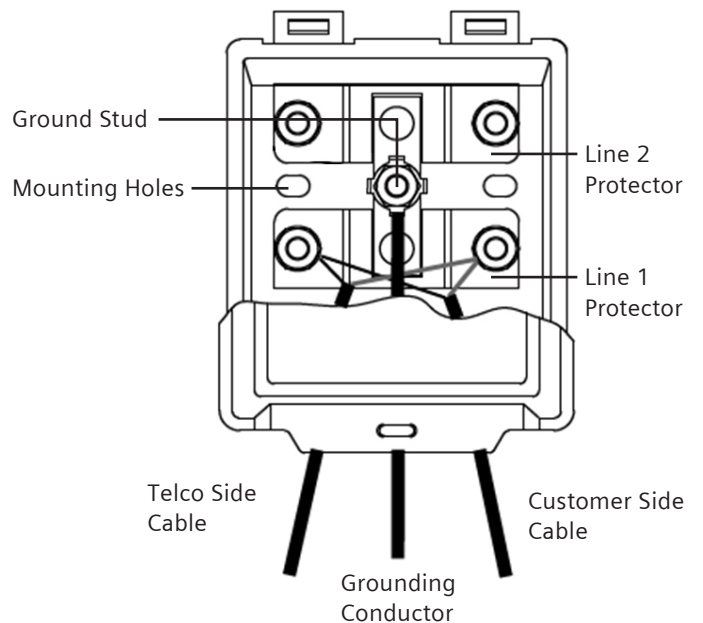
FSPHONE 4X mounted side-by-side or end-to-end should be placed so covers can be easily removed.

Mount the FSPHONE 4X vertically on a flat surface using appropriate hardware (the length of the mounting screws should allow for 1/8" of length within the protector).

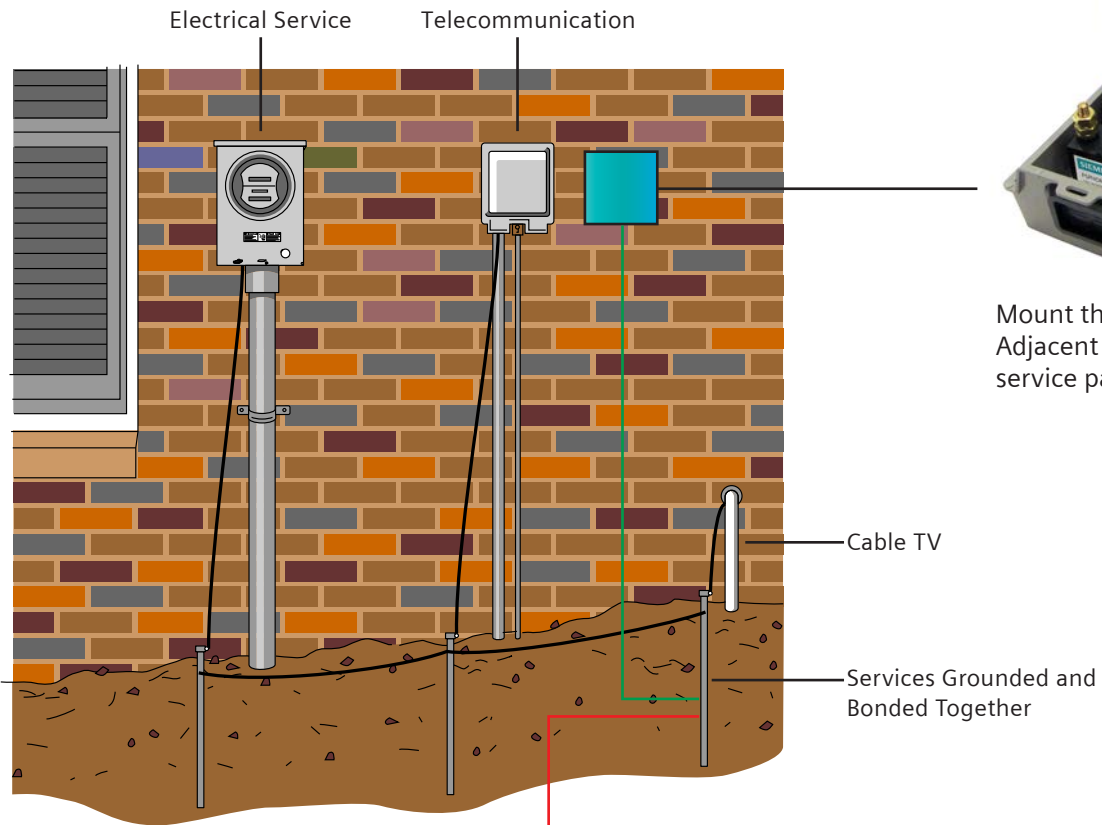
The mounting holes are covered with a thin film of plastic, easily punched out, to maintain the environmental integrity of the protector (See Two Pair Wiring Scheme).

Two Pair Wiring Scheme

Station Protector Housing



Wiring Instructions

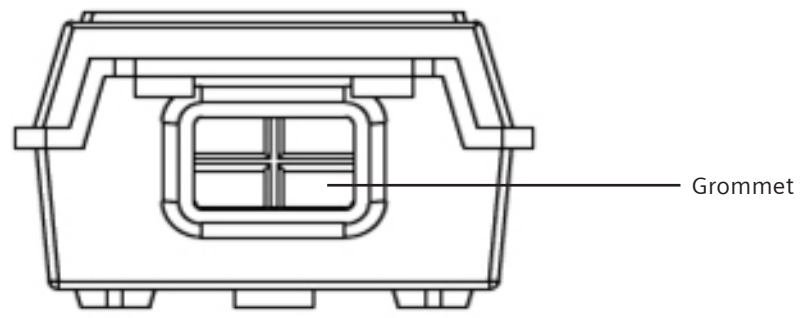


Mount the FSPHONE 4X Adjacent to the telephone service panel.

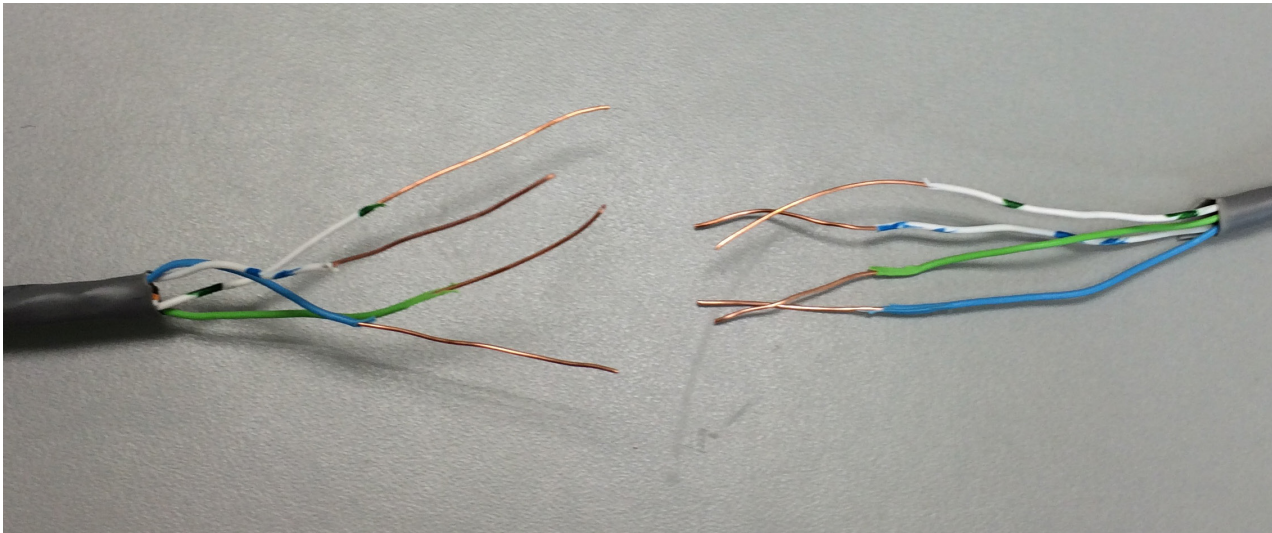


Insert the grounding conductor through the **grommet** in the base of the FSPHONE 4X.

Terminate one end of the grounding conductor (No. 6 AWG) on the **ground stud / binding post** and the other end to an appropriate ground source (See Figure 3).



Wiring Instructions

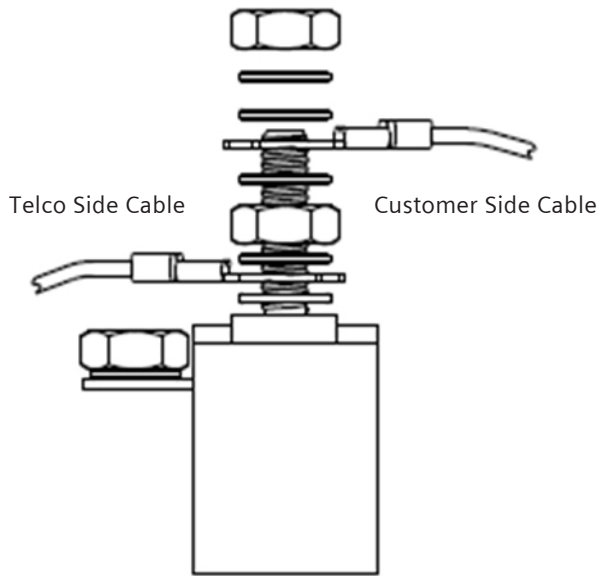


Telco Side Cable

Customer Side Cable

To stop surges from entering through your telephone lines, the FSPHONE4X is inserted in series with telephone line exiting your telephone service access panel demarcation point or NID (Network Interface Device). This may require you to cut the telephone line and dress the lines to remove plastic jacket.

Wiring Instructions



The FSPHONE 4X surge protects each telephone cable by affixing the same color Telco and Customer Side Cable to a dedicated surge protector post.

Each cable is affixed to the post via two washers and a nut for each Telco and Customer Cable. The adjacent figure shows a side view of this installation.

Once mounted, remove the top nut and washers from all four posts.

Loosen all four bottom nuts



Wiring Instructions - Telco Side Cable

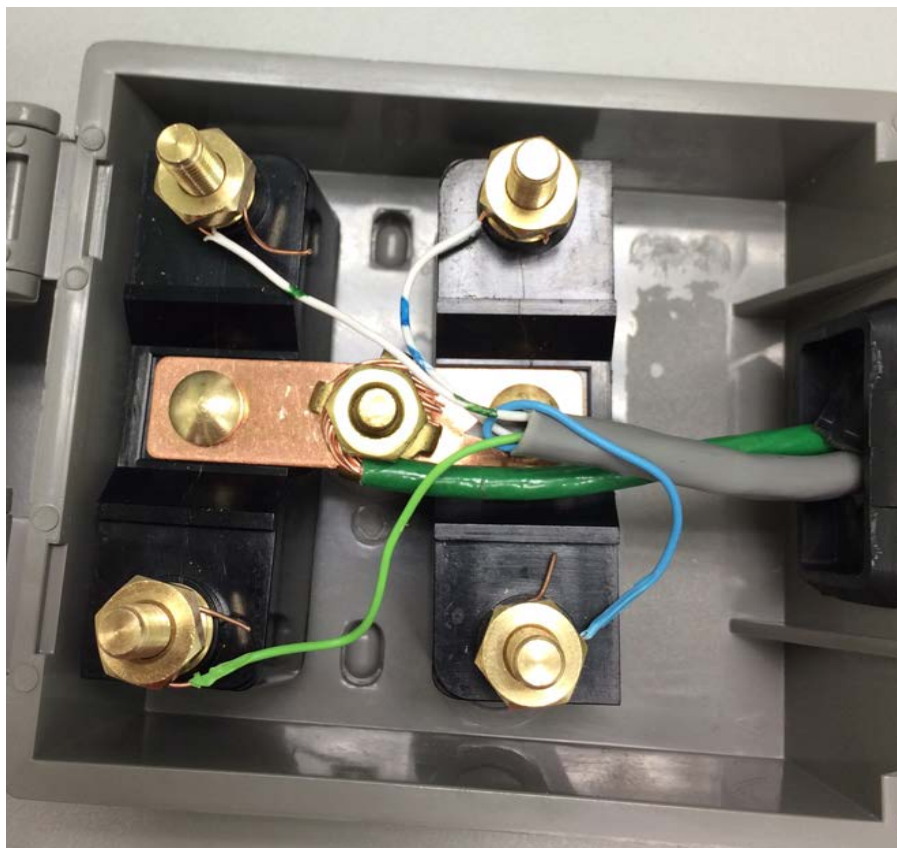
Insert the Telco Side Cable through the grommet in the base of the protector.

Terminate the Telco Side cable in between the bottom set of washers and bottom nut of the appropriate stud (one conductor to Tip and one to Ring) and tighten down.

Repeat the remaining Telco cables. The pictures show the installation for two telephone lines. If only one line is being protected. Only one SPD, two posts, will be used. The other surge protector module will not be utilized, and it can be used as a spare



Complete two line Telco Side Cable installation



Wiring Instructions - Customer Side Cable

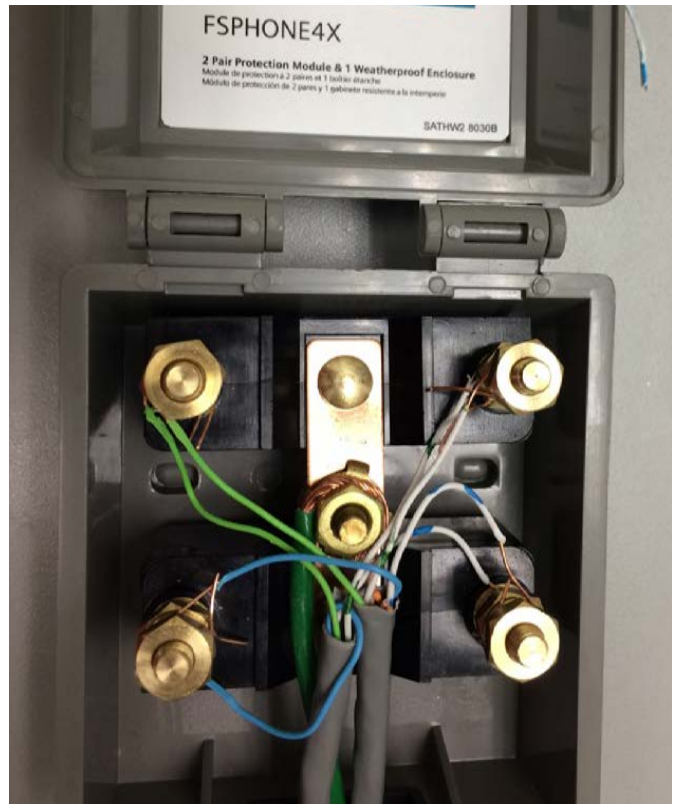
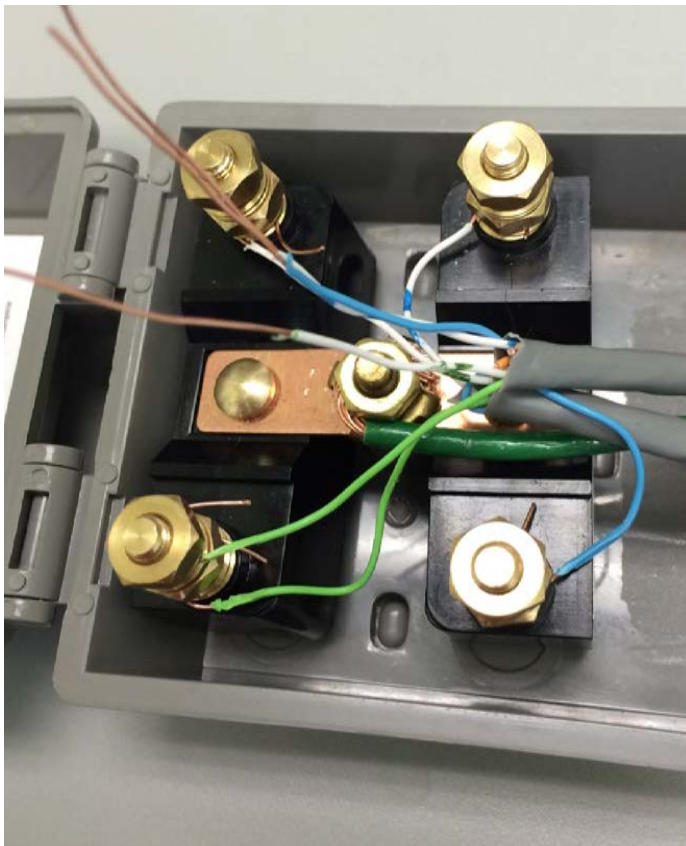
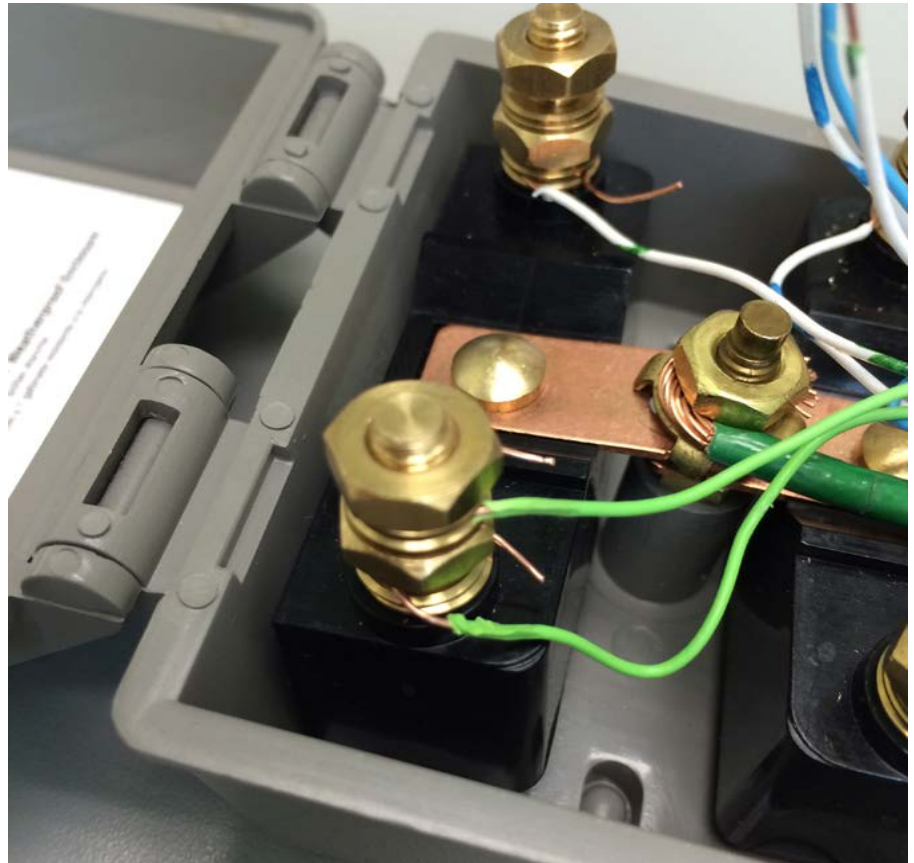
Once the bottom nuts are tightened, insert the Customer Cable, which is the cable going to the home, through the grommet in the base of the protector.

Place the top set washers and top nut back onto each post. Do not tighten.

Terminate the Customer Side cable under the top set of washers and the top nut of the appropriate stud (one conductor to Tip and one to Ring) and tighten down. The same color Customer Cable should be affixed to the post where the same color Telco Cable is affixed (See Photo).

Repeat for the remaining Customer cables.

Loop back unused station wire conductors and coil around the station wire jacket or store in such a manner as to prevent them from coming in contact with protector terminals or bare wires.



Final Installation of a Two Line Telephone System

**Published by
Siemens AG 2016**

Siemens Industry, Inc.
5400 Triangle Parkway
Norcross, GA 30092

For more information, please contact our Customer Support Center.

Phone: +1 888 333 3545
Fax: +1 727 539 8955
E-mail: info.us@siemens.com
Web: usa.siemens.com/spd

Article-No. RPSA-FSTSC-0915
Printed in USA

European Authorized Representative
Obelis s.a.
Boulevard Général Wahis 53
1030 Brussels, BELGIUM
Tel: +(32) 2. 732.59.54
Fax: +(32) 2. 732.60.03
E-Mail: mail@obelis.net



The information provided in this manual contains merely general descriptions of characteristics of performance which in case of actual use do not always apply as described or which may change as a result of further development of the product. An obligation to provide the respective characteristics shall only exist if expressly agreed in the terms of contract.

All product designations may be trademarks or product names of Siemens AG or supplier companies whose use by third parties for their own purposes could violate the rights of the owners.