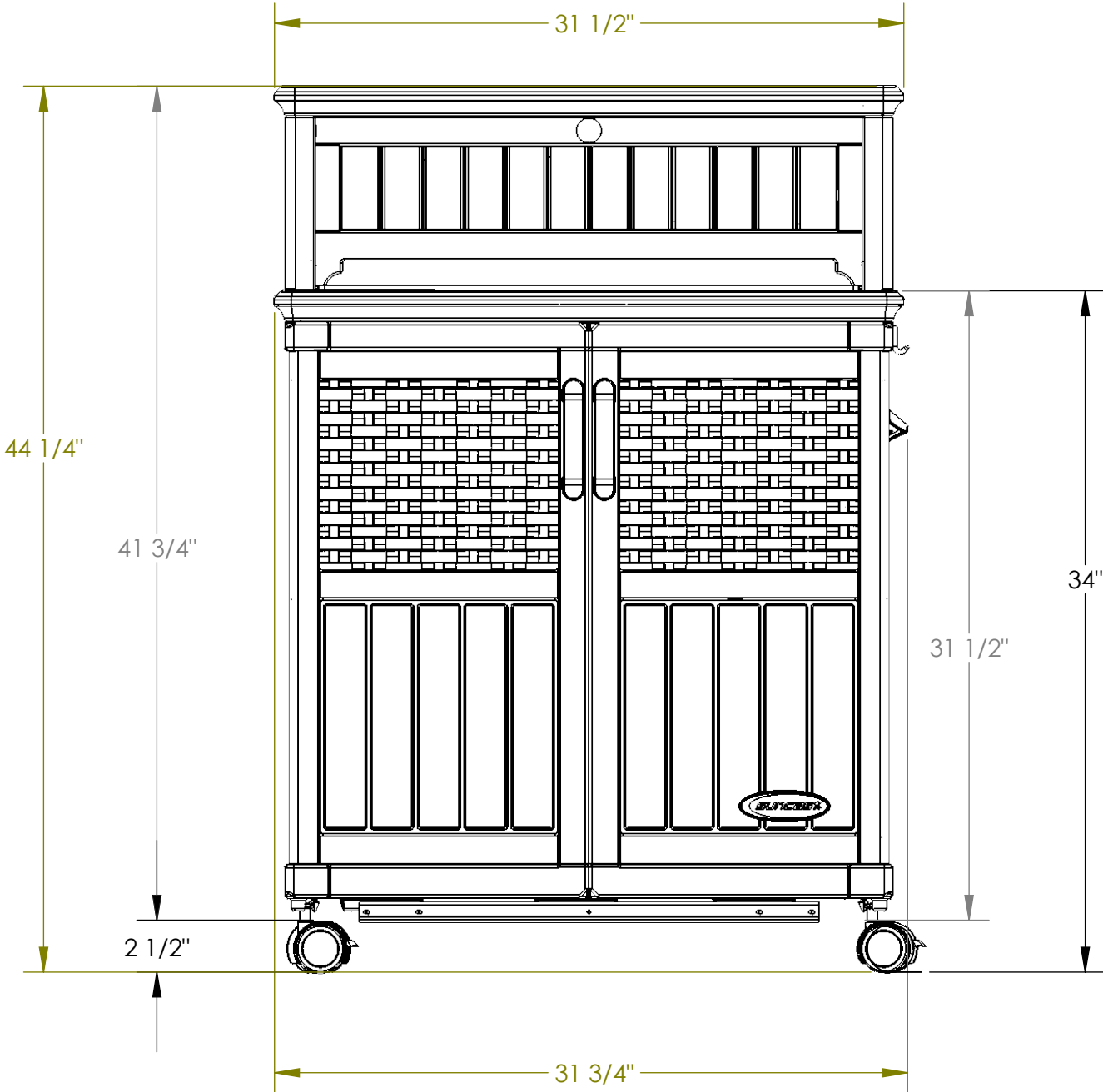
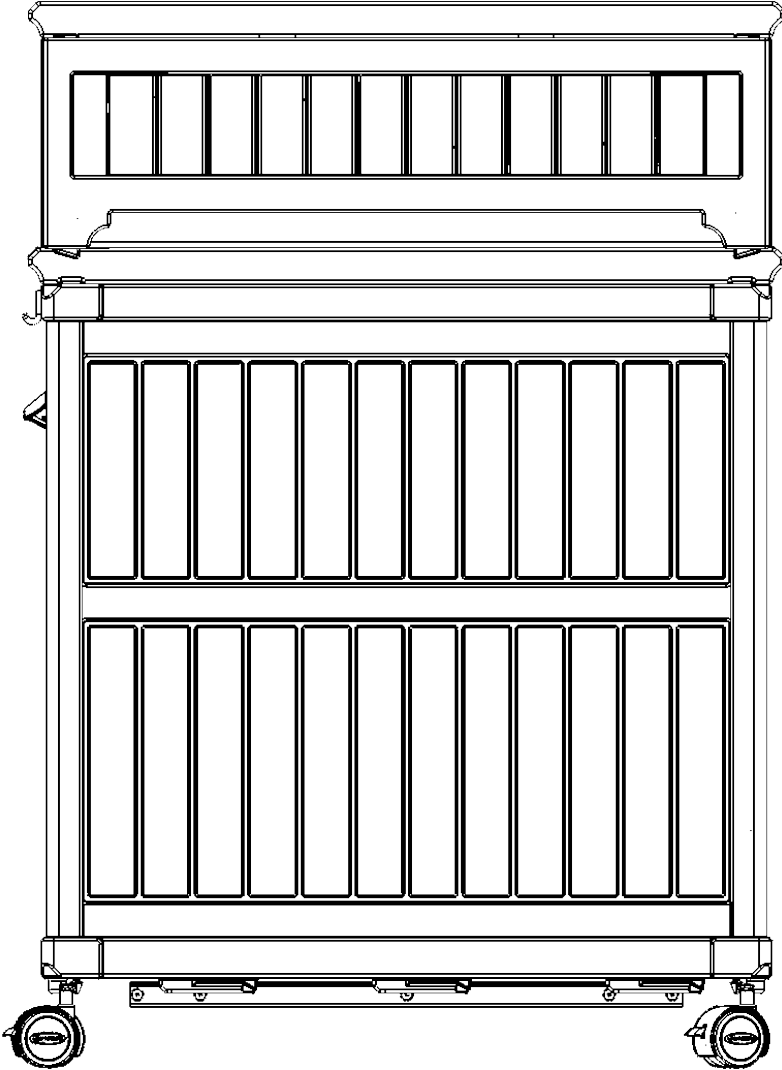
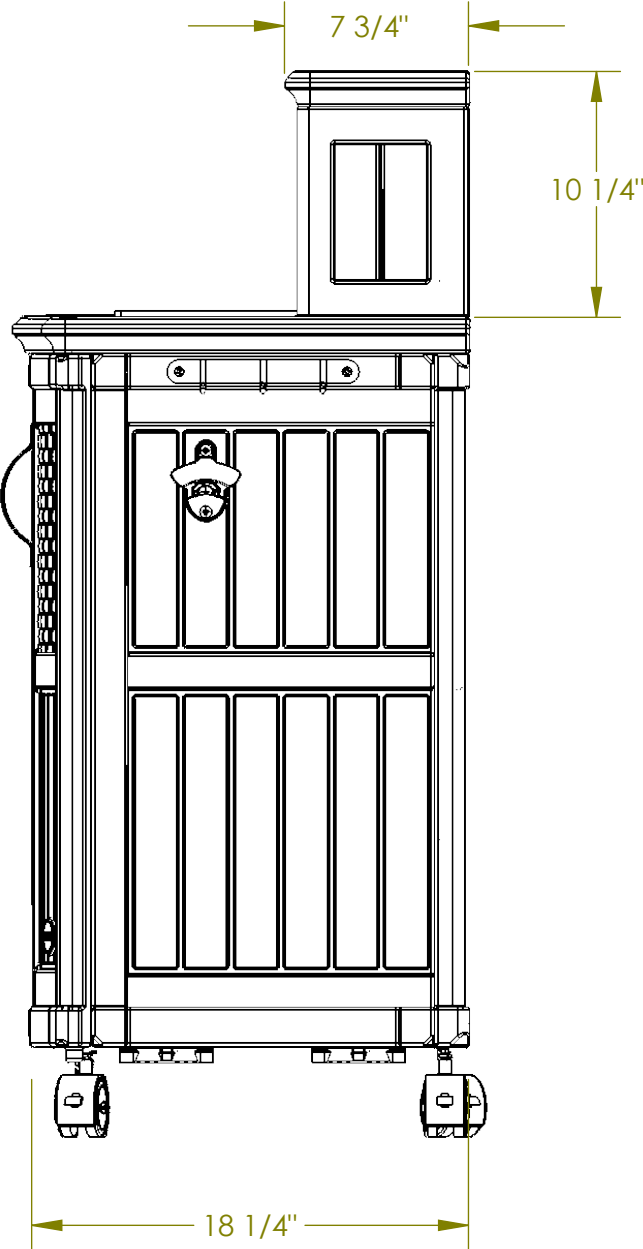


**BMPS6400  
FRONT VIEW**

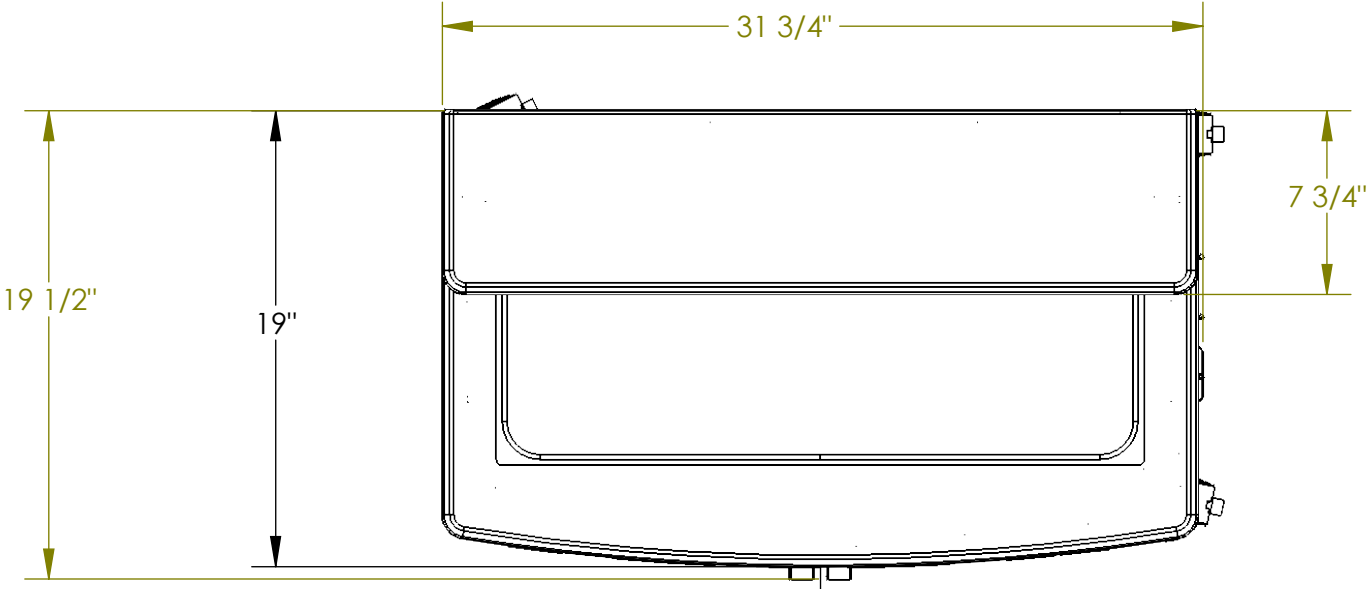
**CAPACITY:  
46.7 gal.**



**BMPS6400**  
**SIDE/BACK VIEW**

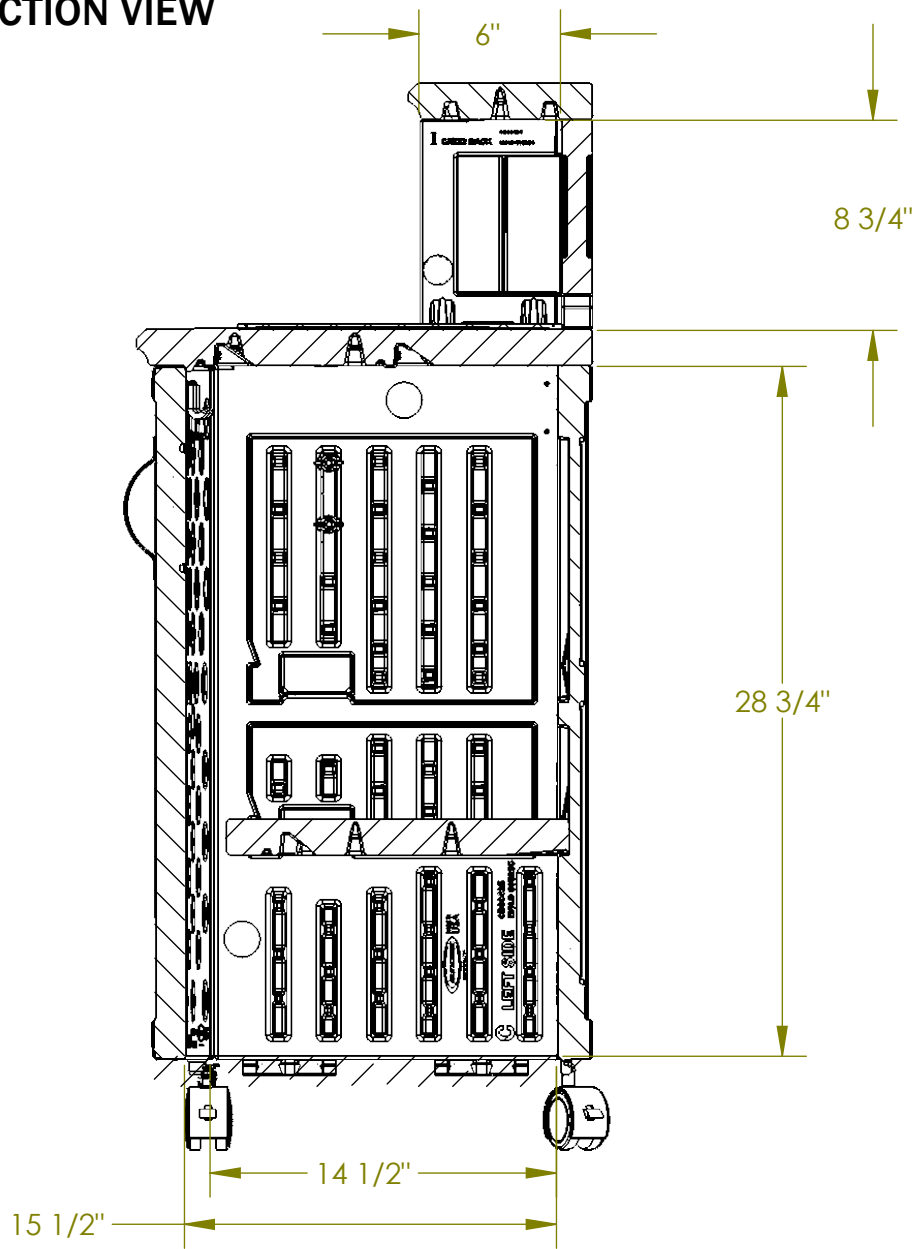


**BMPS6400  
TOP VIEW**

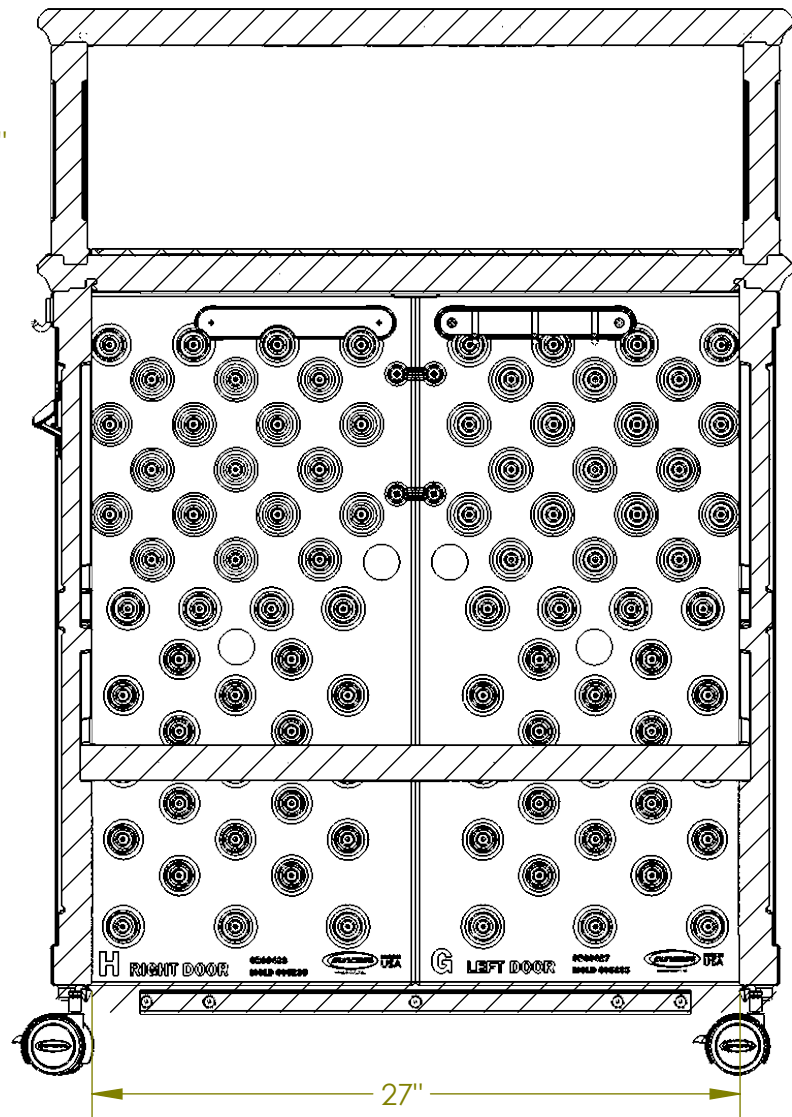


**TOP**

# BMPS6400 SECTION VIEW



SECTION A-A  
SCALE 1 : 8



SECTION E-E  
SCALE 1 : 8