

**LIFAN
POWER
USA**

ENERGY STORM

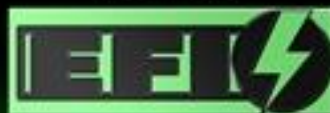
**INVERTER GENERATOR
ELECTRONIC FUEL INJECTION**



ESI4000iER-EFI-CA



POWERED
BY



ESI7000iER-EFI-CA

Operating Instructions and Owner's Manual

This Owners Manual is published in ENGLISH, SPANISH and FRENCH

PLEASE READ THIS MANUAL CAREFULLY BEFORE OPERATING YOUR NEW INVERTER

These Units are EPA-CSA-CARB CERTIFIED and are 50 STATE & CANADA COMPLIANT

06/01//2015



THANK YOU FOR

YOUR PURCHASE

PLEASE READ!!!!

**DO NOT RETURN
THIS PRODUCT TO THE STORE**

WE ARE HERE FOR YOU!

Call Customer Service Toll-Free 1-866-471-7464
Tech Help-Line Open from 9-5 at 866-471-7464 OPTION 2
or visit us online at www.lifanpowerusa.com

**NO DEVUELVA ESTE
PRODUCTO A LA TIENDA**

ESTAMOS AQUÍ PARA USTED!

Llame a nuestro equipo de Servicio al Cliente Línea Gratis 1-866-471-7464
Línea Técnico 866-471-7464 OPTION 2
o visite nuestra página en el internet www.lifanpowerusa.com

**NE PAS RETOURNER
CE PRODUIT AU MAGASIN**

NOUS SOMMES ICI POUR VOUS!

Communiquer avec Notre Équipe de Service à la Clientèle sans Frais au
1-866-471-7464 et 866-471-7464 OPTION 2
ou en ligne à www.lifanpowerusa.com



Operating Instructions And Owner's Manual

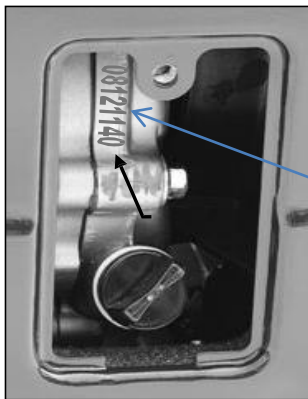
ENERGY STORM INVERTERS

ESI 4000iER-EFI-CSA

ESI 7000iER-EFI-CSA

50 States Compliant and Canada

Record Purchase Here



Model # _____

Engine ID # _____

(Unique Identifier stamped on engine crankcase)

Date of Purchase _____

Purchase Location _____

**PLEASE KEEP AND READ THIS MANUAL CAREFULLY BEFORE
OPERATING YOUR NEW DIGITAL INVERTER GENERATOR**

(EFI) INDICATES THIS UNIT EQUIPPED WITH ELECTRONIC FUEL INJECTION

(i) INDICATES THIS UNIT WQUIPPED WITH THE AUTO IDLE FEATURE

(E) INDICATES THEI UNIT EQIPPED WITH ELECTRIC START

(R) INDICATES THIS UNIT EQUIPPED WITH REMOTE START



PLEASE READ THE **FOLLOWING INSTRUCTIONS!**

1. Unit Shipped with “NO OIL” in Engine or where applicable pumps and/or accessories. Check and fill with proper oil as outlined in the Owner’s Manual for the respective product.
2. For repair under Warranty or questions concerning Warranty, DO NOT return this product to the Store where purchased. Follow the procedures as outlined in the “WARRANTY POLICY” and “WARRANTY REGISTRATION” in the Owner’s Manual. For any questions visit www.lifanpowerusa.com or call 1-866-471-7464 OPTION 1.
3. Read the “Owner’s Manual” prior to operating any equipment and familiarize yourself with the proper and safe operation of the equipment. If you have any questions visit www.lifanpowerusa.com or call 1-866-471-7464.





ESI 4000iER–EFI-CA

ESI7000iER–EFI-CA

(EFI) INDICATED THIS UNIT EQUIPPED WITH ELECTRONIC FUEL INJECTION

(i) INDICATES THIS UNIT WQIPPED WITH THE AUTO IDLE FEATURE

(E) INDICATES THEI UNIT EQUIPPED WITH ELECTRIC START

(R) INDICATES THIS UNIT EQUIPPED WITH REMOTE START

Automotive Type Electronic Fuel Injection System

EnergyStorm EFI computer-controlled fuel and ignition system

This generator has a computer-controlled fuel and ignition system. An on-board computer, referred to in this manual as an ECU (*Engine Control Unit*) utilizes a series of virtual maps (*lookup tables*) that provide values for various aspects of engine performance. The ECU analyzes data provided through the various engine sensors to determine the best combination of values from these lookup tables to provide optimum performance. This is communicated to the generator components through the use of digital signals. This is in contrast to non-computer-controlled ignition systems that rely on mechanical feedback, and sometimes vacuum, to control the motion of the various components.

The Electronic Fuel Injection (EFI) system provides increased efficiency over carbureted fuel systems. In a carbureted fuel system, the fuel and air are mixed in a carburetor that relies on a mechanical choke system controlling the rate of air intake to maintain the vacuum necessary to mix the fuel with air for combustion.

In a fuel injection system, the ECU calculates and adjusts the fuel mixture directly, based on real-time feedback, allowing for greater fuel and emissions efficiency. The ECU also controls the timing for the spark plug, dynamically controlling the speed of the engine depending on requirements for power generation.

When there is a problem reported by a generator component (such as an engine sensor), the ECU stores a fault code for it. These fault codes can be read in the *Wattage (P)* field of the digital display, and then used to



identify the issue and correct it. For more information on fault codes and how to access them, refer to the *Fault codes* section of this manual. For more information on the digital display and its use, refer to the *Digital display* section of this manual.



Table of Contents

Preface	6
Product Specifications	7
Generator/Safety Instructions	8
Controls and Features	12
PRE-OPERATING INSTRUCTIONS	16
Assembly	18
Generator Setup	19
Understanding Your Battery	20
Operation of Generator	24
Storing the Unit	31
Maintenance	32
Transporting The Generator	37
Long Term Storage	38
Troubleshooting	39
Wattage Chart	47
Limited Warranty Policy	51
Appendix	54
Wiring / Exploded View Diagrams	55



Preface

Thank you for choosing LIFAN Power USA for your Power Equipment Needs. LIFAN Power USA prides itself on providing quality products at affordable pricing, creating the “Best Equipment Value on Today’s Market!”

All LIFAN Power USA products are manufactured utilizing the latest technology as seen with your new EFI technology. Built with quality components, your new Power Equipment Product will give you years of dependable service. Your unit, along with all of LIFAN Power USA products are designed, engineered, and manufactured with an Industrial Grade Gasoline Engine.

This Owner’s Manual will provide you with all of your needed information for your new Power Equipment Product, including Safe Operation and Maintenance of your unit. Please read this Owner’s Manual completely and carefully prior to operation. Keep this Owner’s Manual for assistance in the future, such as proper maintenance schedules and tips to prolong the life and effective use of your unit. If you require assistance, please visit our website (www.lifanpowerusa.com) or call toll free 866-471-7464.

This Owner’s Manual contains information with respect to the newest products at the time of publication. Due to revision and modifications, the information noted in the Owner’s Manual might vary from the actual status. This Owner’s Manual is subject to change without notice. The copyright of this Owner’s Manual belongs to EquipSource, LLC. Any group or individual is forbidden to reprint or copy any of this Owner’s Manuals without the written consent of EquipSource, LLC.

FOR ALL WARRANTY AND SERVICE RELATED ISSUES/QUESTIONS DO NOT RETURN YOUR UNIT TO THE STORE OR DEALER WHERE THE ITEM WAS PURCHASED. FOR SERVICE VISIT LIFAN POWER USA’S WEBSITE (WWW.LIFANPOWERUSA.COM) OR CALL 1-866-471-7464, option 2. WE WILL BE HAPPY TO HANDLE YOUR WARRANTY ISSUE OR DIRECT YOU TO THE NEAREST “AUTHORIZED SERVICE CENTER.”



Specifications

ENERGY STORM INVERTER GENERATORS

Model Size	ESI 4000iER-EFI-CA	ESI 7000iER-EFI-CA
Voltage	120V AC & 12VDC	120V AC & 12VDC
AC Surge Output ¹	4200 Watts	7000 Watts
Rated AC Output ²	3800 Watts	6500 Watts
Maximum AC Amperage	30 amps	48 amps
AC Cycle	60 Hertz	60 Hertz
12V 8.3 amp DC Receptacle (4)	1 ea.	1 ea.
120V 20amp AC Receptacle	2 ea.	2 ea.
120V 30amp AC RV Receptacle	1 ea.	2 ea.
Sine Wave Distortion	2% or Less	2% or Less
Auto Idle Feature	Power On Demand	Power on Demand
AC Overload Protection	Yes	Yes
Exhaust Spark Arrestor ³	Yes	Yes

ENGINE

	ESI 4000iER-EFI-CA	ESI 7000iER-EFI-CA
Manufacturer	FME	FME
Model	177	190
Maximum Horsepower (MHP)	9MHP	15MHP
Engine Displacement	270cc	420cc
Starting System	Recoil & Electric Start with Remote	Electric Start with Remote
Fuel Tank Capacity	3.56 Gallons	4.62 Gallons
Fuel Gauge	Yes	Yes
Run Time (@ 50% Load)	10 hours	13 hours
Sound Level (@ 7m or 23ft)	57 decibels	59 decibels
Engine Type	4QStroke OHV	4QStroke OHV
Fuel Type	Automotive Grade Unleaded Gasoline	Automotive Grade Unleaded Gasoline
Fuel Compliance	10% Ethanol Mixture or Less	10% Ethanol Mixture or less
Oil Type & Amount	SAE 10w30w 32oz	SAE 10w30w 32oz
Low Oil Shutoff Protection	Yes	Yes
CARB Certified	Yes	Yes

DIMENSIONS

	ESI 4000iER-EFI-CA	ESI 7000iER-EFI-CA
Length (inch)	25in	29in
Width (inch)	20in	22in
Height (inch)	22in	27in
Weight (lbs)	142.5 lbs	192 lbs

ACCESSORIE

	ESI 4000iER-EFI-CA	ESI 7000iER-EFI-CA
12V Cord, Plug, & Clips	1 ea.	1 ea.
120V 30amp Male Twist Lock Plug	1 ea.	1 ea.
Mobility/Wheel Kit	Flip Up Handle w/ 4 Lock Down Casters	Flip Up Handle w/ 4 Lock Down Casters

Comments

¹ = Temporary Power available for no more than 10 seconds

³ = Allows for safe and legal operation in National Parks

² = Power Available for Continuous Operation

⁴ = 12 Volt Battery Charger in Accessories



Generator Safety

1. Never operate gasoline engine powered products in any enclosed spaces, as they product deadly Carbon Monoxide Poisonous Gases.
2. Never hook a generator directly to your home circuit without the proper installation by a Licensed Electrician and without the proper power transfer devices.
3. Do NOT operate your power equipment in inclement weather such as rain, snow, and/or sleet.
4. Do NOT operate your power equipment within five (5) feet of any flammable materials.
5. When refueling the power equipment never smoke or refuel near any flame or ignition devices. Never refuel while the unit is running. If during the refueling process some fuel is spilled, always completely clean the fuel and allow sufficient drying time prior to re-starting the unit. Gasoline vapors ignite easily and are very dangerous.
6. Do NOT parallel connect this model. Generator cannot be combined with other electric wires or multiple socket boxes.
7. Do NOT lengthen the exhaust pipe or vent it with any extension.
8. Use SJ or SJO type extension cords if necessary.
9. Do not use extension cords exceeding: 16 Gauge, 200ft or 10 Gauge, 330ft.
10. NEVER ALLOW CHILDREN OR ANIMALS TO BE NEAR THIS EQUIPMENT DURING OPERATION. ONLY QUALIFIED PERSONS SHOULD OPERATE THIS EQUIPMENT. FOLLOW ALL GUIDELINES CONTAINED IN

Hazard Symbols and Meanings



Explosion



Fire



Electrical

Toxic Fumes



Hot surface or gas



Kickback



⚠ DANGER	
Using a generator indoors CAN KILL YOU IN MINUTES. Generator exhaust contains carbon monoxide. This is a poison you cannot see or smell.	
NEVER use inside a home or garage, EVEN IF doors and windows are open.	Only use OUTSIDE and far away from windows, doors, and vents.

⚠ DANGER	
L'utilisation d'une génératrice à l'intérieur PEUT VOUS TUER EN QUELQUES MINUTES. Les gaz d'échappement de la génératrice peuvent contenir du monoxyde de carbone, un poison que vous ne pouvez pas voir ni sentir.	
NE JAMAIS utiliser à l'intérieur d'une maison ou d'un garage, MÊME SI les portes et fenêtres sont ouvertes.	Utiliser uniquement à l'EXTÉRIEUR et loin des fenêtres, portes et ouvertures d'aération.

⚠ PELIGRO	
El uso de un generador en el interior PUEDE MATARLO EN POCOS MINUTOS. El escape del generador contiene monóxido de carbono. Esto es tóxico y no debe verlo u olerlo.	
NIUNCA utilice dentro de una casa o un garaje, AUN cuando las ventanas y las puertas estén abiertas	Utilice únicamente en el EXTERIOR y lejos de ventanas, puertas o rejillas de ventilación.



SAFETY RULES



This is the safety alert symbol. It is used to alert you to potential personal injury hazards. Obey all safety messages that follow this symbol to avoid possible injury or death.

For your safety read this manual carefully. Become familiar with proper operation, care, and maintenance of your Lifan generator.

The safety and alert symbol (**A**) is used with a signal word (CAUTION, DANGER, WARNING), a pictorial and/or safety message alert you to hazards. CAUTION indicates a hazard which, if not avoided could be harmful.



WARNING!

Running generator emits carbon monoxide an odorless, colorless, poison gas.
Breathing carbon monoxide can cause nausea or death!

Exhaust gas must be prevented from entering confined areas.

Direct exhaust gas away from windows, doors, ventilation and

*Do not operate generator inside or under any buildings.
Operating this generator inside the compartment of a recreational vehicle will likely result in death*



WARNING

The engine exhaust from this generator contains chemicals known to the state of California to cause birth defects, reproductive harm, and cancer

This generator does not meet U.S. Coast Guard Regulation 33CFR-183 and should not be used on marine applications. Use of this generator on marine applications could result in injury or death.

A

WARNING!



Rapid recoil of starter cord (kickback) may pull hand and arm forward toward engine at a rapid rate. Broken bones, bruises, sprains, and Fractures may result.

- When starting engine, pull cord slowly until Tension is felt, then pull rapidly to avoid kickback.
- Never start or stop engine with electrical Devices plugged in and turned on. Doing so is hazardous and will damage generator.



Generator produces powerful voltage! Only a licensed electrician can safely Connect hookups. Failure to isolate generator from electrical grid can result in death to utility workers as well as Others.

- When using generator as backup power, notify Utility company. Use approved transfer equipment to isolate generator from electric utility.
- Do Not operate generator while exposed to Rain or other wet conditions.
- Do not handle generator when in contact with water.
- Do not contact bare wires or receptacles.
- Inspect all electrical cords for damage and Discontinue from use any damaged or excessively worn cords.
- Do not allow unqualified persons to operate or service generator.

Do not use this generator within the generator

Explosion Fire Electrical

Toxic Fumes Hot surface of 1ms Kickback



Compartment of a recreational vehicle!



WARNING!



Fuel and its vapors are extremely flammable and explosive.



Fire or explosion can cause severe burns or death.

WHEN ADDING OR DRAINING FUEL

- Turn generator off and let it cool for at least three minutes before removing fuel cap. Loosen cap slowly in order to relieve pressure in the fuel tank.
- Fill or drain fuel tank outdoors. Do not excessively inhale fuel vapors.
- Keep away from open flames or sparks and other sources of ignition.
- Do NOT smoke while filling fuel tank.
- Do NOT overfill tank. Allow space for fuel expansion.

WHEN TRANSPORTING OR REPAIRING EQUIPMENT

- Transport generator with the fuel valve in the off position.
- Repair generator with the fuel tank empty or the fuel valve in the off position.
- Disconnect spark plug wire before transport or service.

WHEN STORING FUEL OR EQUIPMENT CONTAINING FUEL

- Store away from furnaces, stoves, water heaters, clothes dryers or other appliances that have pilot light or other ignition source because they can ignite fuel vapors.

WHEN STARTING EQUIPMENT

- Ensure spark plug, muffler, air cleaner, and fuel cap are in place.
- Do NOT crank engine with spark plug removed.
- If fuels spills, wait until it evaporates before starting engine.

WHEN OPERATING EQUIPMENT

- Do not choke carburetor to stop engine.
- Do not tip engine or equipment at an angle, which causes fuel to spill.
- This generator is not for use in marine applications.



CAUTION!

Excessively high operating speeds (engine revolutions) increase the risk of injury and damage to the generator. Excessively low speeds impose a heavy load and will damage generator.

- Do NOT adjust engine speed governor. Generator supplies correct voltage and frequency at designated speed.
- Modifying generator in any way may be dangerous and will void warranty.




 **WARNING!**

While engine is running temperature may exceed 150°F (65°C). Server burns may occur.

Exhaust heat/gasses can ignite combustibles, structures or damage fuel tank causing a fire.

- Do NOT touch hot surfaces and do avoid exhaust gasses.
- Allow generator to cool before touching.
- Keep at least 7 ft. (183cm) clearance on all sides of generator including overhead clear.
- Reflective exhaust heat may damage fuel tank causing fire.
- Code of Federal Regulation(CFR) Title 36 Parks, Forests, and Public Property require equipment powered by an internal combustion engine to have a spark arrester, maintained in working order, complying to USDA Forest service standard 5100-1c or later revision. In the state of California a spark arrester is required under section 4442 of the California Public resources code.

WARNING!

 **Unintentional sparking can result in fire or electrical shock.**

WHEN TESTING FOR ENGINE SPARK

- Do NOT check for spark with the spark plug removed.
- Use approved spark plug tester.

WHEN REPAIRING OR ADJUSTING GENERATOR

- Disconnect the spark plug wire from the spark plug and place the wire where it cannot contact spark plug.

CAUTION!

Improper use and care of this generator will cause damage and shorten its lifespan. Failure to follow these actions will void all warranties.

- Use generators only for appropriate and designated purposes.
- The dealer or customer helpline (1-866-471-7464) can instruct you on intended uses.
- Generator must be placed on a level surface.
- Do NOT expose generator to extreme conditions. Excessive dust, moisture, and corrosive vapors will damage unit.
- Cooling slots must be kept clear of debris.
- Do not connect improperly operating devices to generator.
- Shut off generator and take to a qualified service center if the generator fails to operate properly.



Safety Instructions (continued)

WARNING!



Fuel and its vapors are extremely flammable and explosive.

Fire or explosion can cause severe burns or death.

WHEN ADDING OR DRAINING FUEL

- Turn generator off and let it cool for at least three minutes before removing fuel cap. Loosen cap slowly in order to relieve pressure in the fuel tank.
- Fill or drain fuel tank outdoors. Do not excessively inhale fuel vapors.
- Keep away from open flames or sparks and other sources of ignition.
- Do NOT smoke while filling fuel tank.
- Do NOT overfill tank. Allow space for fuel expansion.

WHEN TRANSPORTING OR REPAIRING EQUIPMENT

- Transport generator with the fuel valve in the off position.
- Repair generator with the fuel tank empty or the fuel valve in the off position.
- Disconnect spark plug wire before transport or service.

WHEN STORING FUEL OR EQUIPMENT CONTAINING FUEL

- Store away from furnaces, stoves, water heaters, clothes dryers or other appliances that have pilot light or other ignition source because they can ignite fuel vapors.

WHEN STARTING EQUIPMENT

- Ensure spark plug, muffler, air cleaner, and fuel cap are in place.
- Do NOT crank engine with spark plug removed.
- If fuels spills, wait until it evaporates before starting engine.

WHEN OPERATING EQUIPMENT

- Do not choke carburetor to stop engine.
- Do not tip engine or equipment at an angle, which causes fuel to spill.
- This generator is not for use in marine applications.



CAUTION!

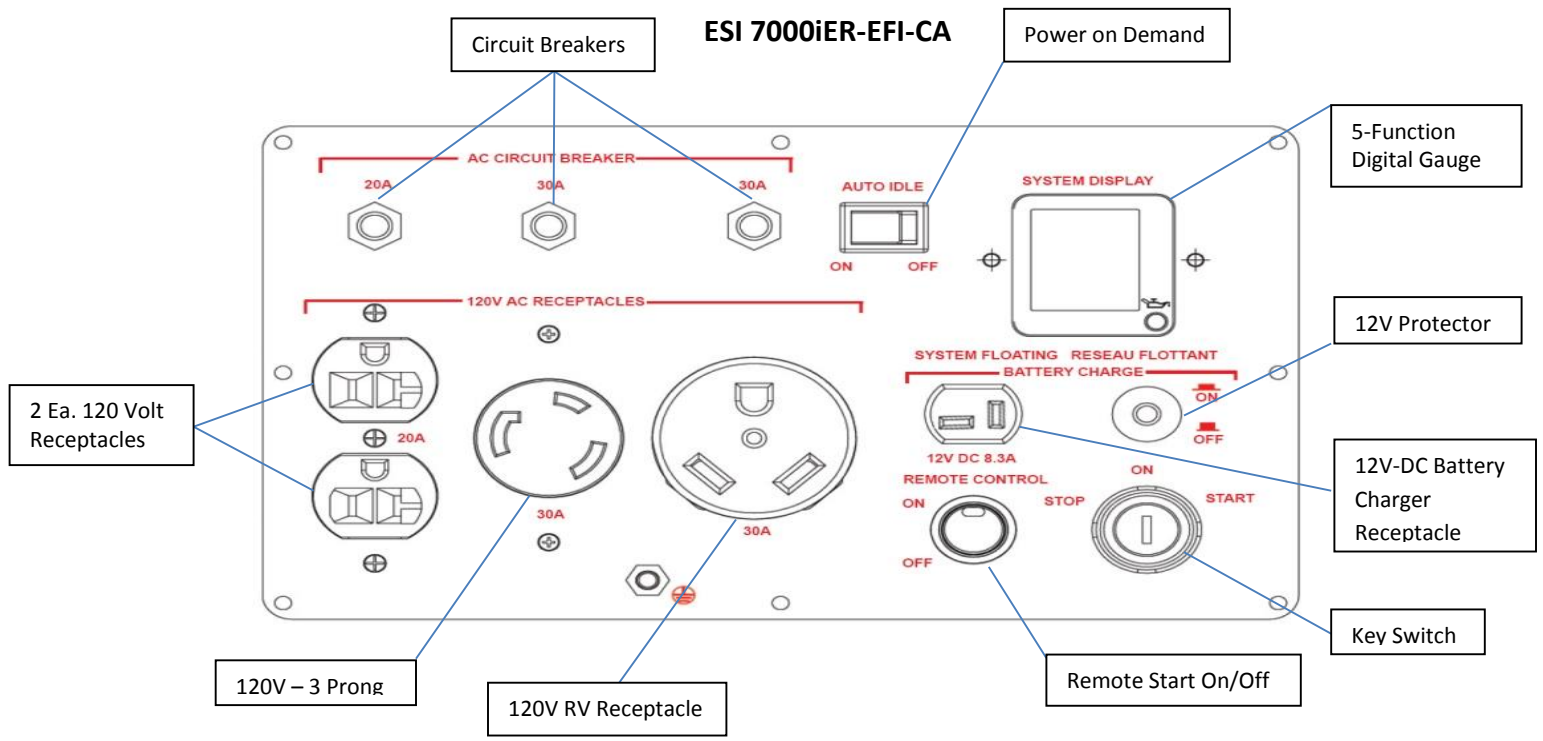
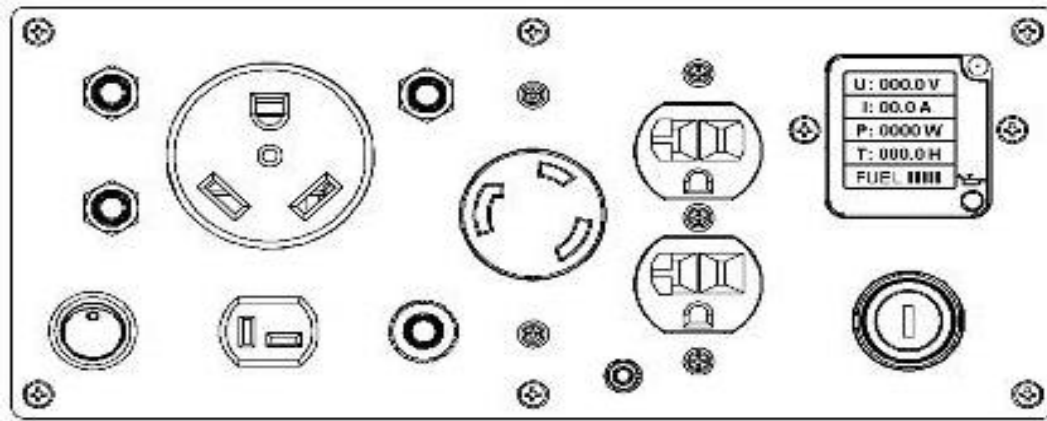
Excessively high operating speeds (engine revolutions) increase the risk of injury and damage to the generator.
Excessively low speeds impose a heavy load and will damage generator.

- Do NOT adjust engine speed governor. Generator supplies correct voltage and frequency at designated speed.
- Modifying generator in any way may be dangerous and will void warranty.

Controls and Features

Read this Owner's Manual completely and carefully before Operating Generator

ESI 4000iER-EFI-CA

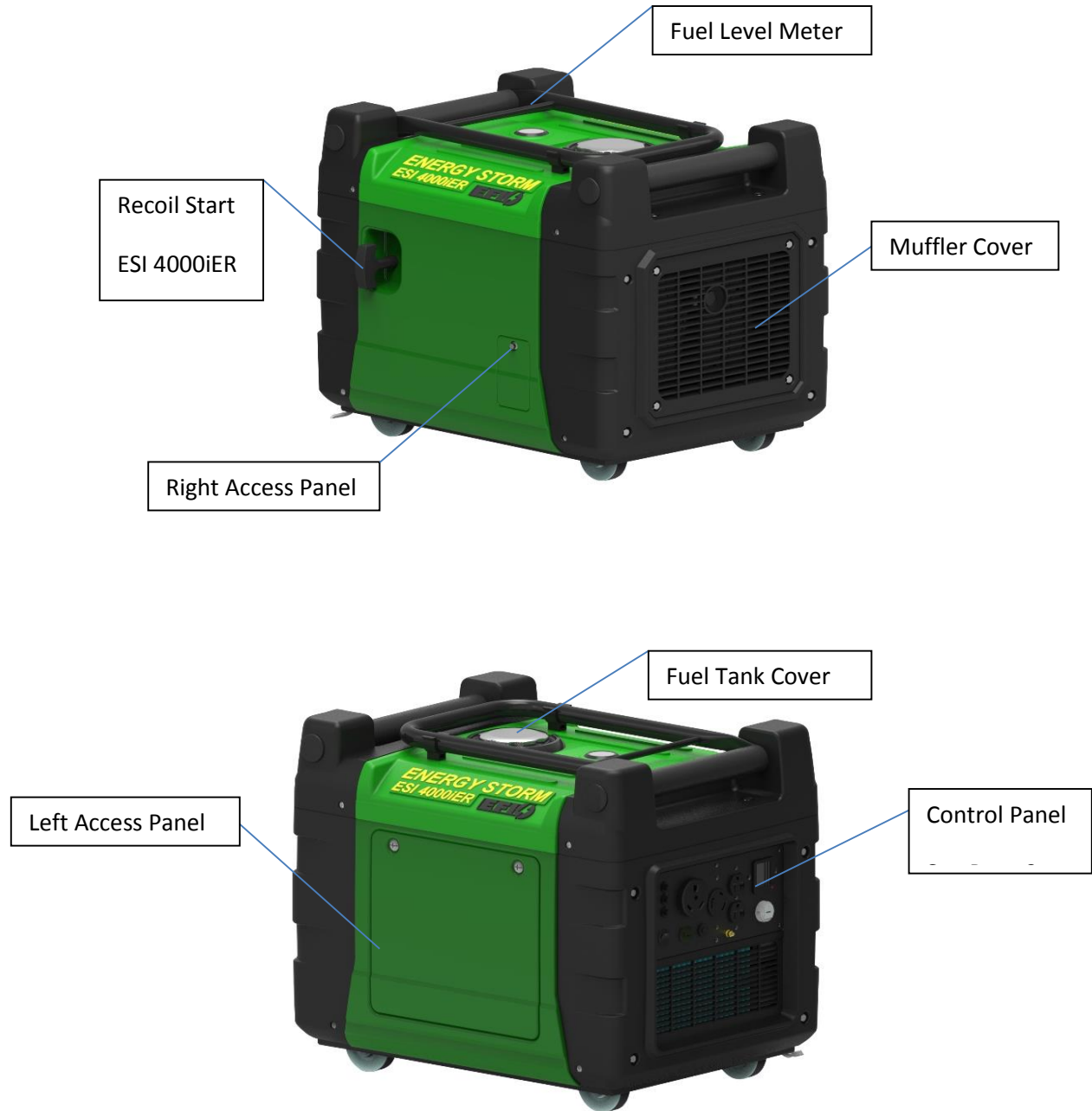




Controls and Features (continued)

Read this Owner's Manual completely and carefully before Operating Generator.

Model - ESI 4000iER-EFI-CA





Controls and Features (continued)

Read this Owner's Manual completely and carefully before Operating Generator.

Model - ESI 7000iER-EFI-CA





Legend

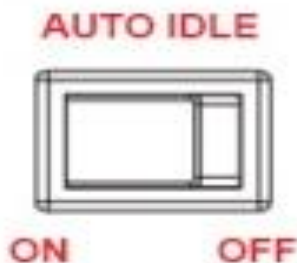
1. **Fuel Level Meter**-Gauge to determine amount of fuel remaining in Fuel Tank, (See Control Panel Pg 12)
2. **Control Panel**-Varies between each model.
3. **Left Access Cover**-Remove for Maintenance --- Air Cleaner Element, etc.
4. **Fuel tank Cover**-Opening to fuel tank for re-fueling.
NOTE: Ensure Fuel Tank Cover is securely fastened before use.
5. **Muffle Cover**-Plastic Grating covering muffler
6. **Right Access Cover**-Remove for Maintenance – Oil Change, etc.
7. **Recoil Start Handle**-Manual start for ESI 4000iER models only.

AUTO IDLE CONTROL SWITCH:

This unit is equipped with an Auto Idle Control feature. The generator will automatically switch to “Gas-Saving” mode when there is no power or load required. Upon demand, the inverter generator will enhance engine speed automatically to provide the correct electrical power the connected device requires. The Auto Idle Control feature minimizes fuel consumption and reduces noise levels.

Turn the AUTO IDLE CONTROL feature “OFF” when:

- High Electrical Loads are connected simultaneously to reduce voltage changes.
- The Equipment connected to the inverter generator requires full power at start-up. Example: Power Tools and other equipment with electric motors.
- Inverter Generator is working at a constant rated power output
- Your inverter generator will only run at speed required to produce power demanded.





Pre-Operating Instructions: Assembly

Your LIFAN Power USA generator is packaged without fuel and oil. Some assembly is required before operating your LIFAN Power USA Generator.

For further assistance in assembling your generator, please visit our website (www.lifanpowerusa.com) or call 1-866-471-7464 between the hours of 9am-5pm Monday-Friday.

BOX CONTENT:

- Generator
- Accessory Kit
 - Spark Plug Removal Tool
 - 1 ea. – Oil Drain Tube
 - 1 ea. – Oil Fill Bottle
 - 1 ea. -- 12V Trickle Battery Charger
 - Owner's Manual and Warranty Card

UNPACKING THE GENERATOR:

1. Set the Carton on a Flat, Rigid Surface.
2. Remove All Contents from Carton EXCEPT Inverter Generator.
3. Open Box Completely by lifting box cover.
4. Carefully lift the Inverter Generator off the remaining box and onto the Flat, Rigid Surface.

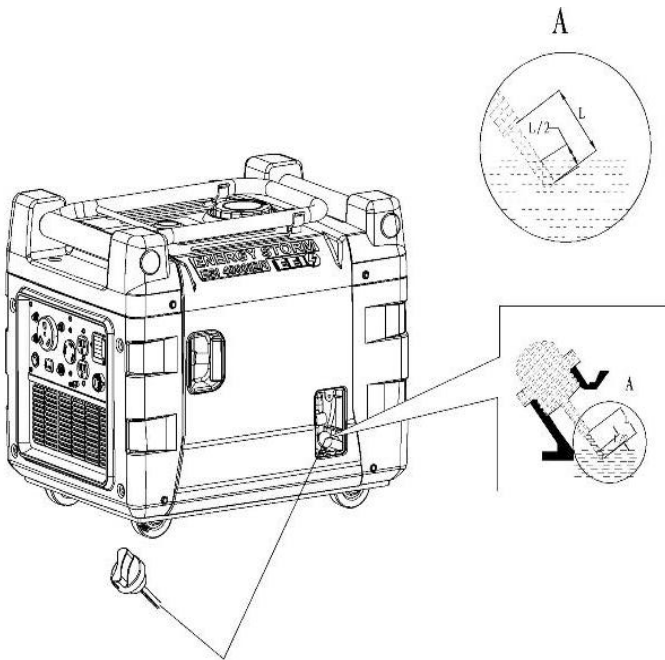


Pre-Operating Instructions: Generator Setup

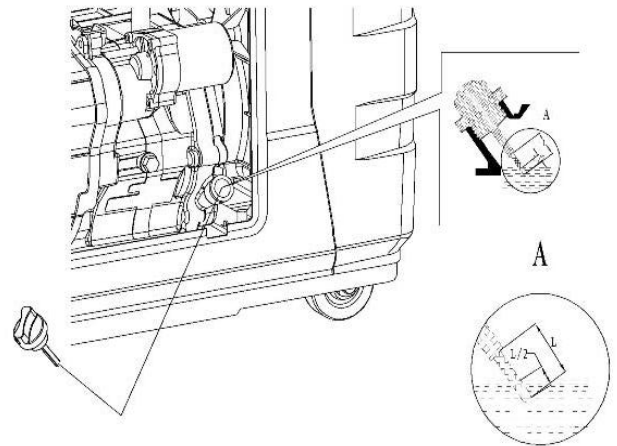
CAUTION: Any attempt to start the generator before it has been properly serviced may result in engine failure and void warranty.

ADD ENGINE OIL: Refer to the diagrams below.

1. Place generator on level surface.
2. Remove the Right Access Panel (Refer to Controls and Features section).
3. Clean area around Oil Hole Dipstick/Plug & Unscrew Oil Hole Dipstick/Plug.
4. Use Supplied Funnel to fill with appropriate type and amount of oil using Oil Fill Bottle. Refer to Chart below for recommended oil type based on Environmental temperature. NOTE: Refer to "Product Specifications" section for universal recommended oil type and oil amount.
5. Replace Oil Hole Dipstick/Plug and tighten securely.
6. Replace the Right Access Panel.



ESI4000-EFI-CA (Right side small access panel)



ESI7000-EFI-CA (Right side access panel)



Pre-Operating Instructions: Generator Setup

CAUTION: Any attempt to start the generator before it has been properly serviced may result in engine failure and void warranty.

	WARNING!
	Fuel and its vapors are extremely flammable and explosive.
	Fire or explosion can cause severe burns or death.
WHEN ADDING FUEL <ul style="list-style-type: none">• Turn generator off and let it cool for a minimum of three minutes before removing fuel cap. Turn and remove cap slowly in order to relieve residual tank pressure.• Always fill the fuel tank with the unit outdoors.• DO NOT overfill tank. Allow room for fuel expansion.• Keep fuel away from sparks, open flames, heat, pilot lights, and other ignition sources.	

ADD FUEL: Refer to Controls and Features section for diagrams.

1. Clean area around fuel cap, then remove fuel cap.
2. Pour fresh, clean regular automotive grade unleaded fuel with a minimum octane rating of 85 into fuel tank. Do NOT mix fuel with oil. Fuel must have ethanol blend of 10% or less. Pay close attention to the storage requirements of these fuels. Do NOT overfill fuel tank.
3. Install the fuel cap. Rotate the fuel cap clockwise until it is in its locked position. Wipe away any spilled fuel.

CAUTION: Alcohol-blended fuels (gasohol, ethanol, or methanol) will attract moisture, which leads to separation and formation of acids during storage. Acidic gas can damage the fuel system of an engine while in storage. To avoid engine problems, the fuel system should be treated with a fuel stabilizer or drained if the generator will not be started for thirty (30) days. If using a fuel stabilizer, follow the manufacturer's recommended instructions for use.

Always drain old fuel and use fresh fuel before next use. If you do not use a fuel stabilizer, the fuel system must be drained and cleaned. Drain the fuel tank and start the engine, allowing it to run until all fuel lines and carburetor are drained of fuel. Before restarting the carburetor, float bowl must be removed and cleaned of any debris.

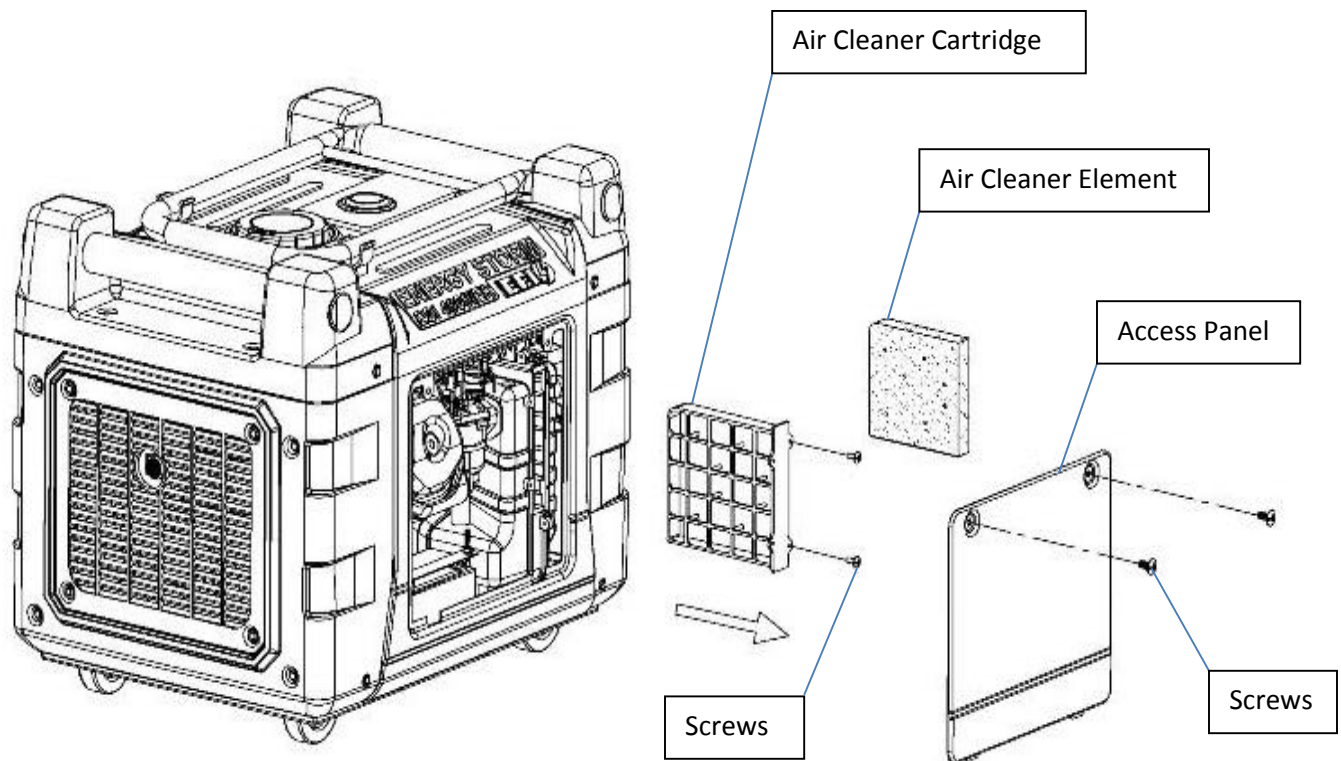


Pre-Operating Instructions: Generator Setup

CAUTION: Any attempt to start the generator before it has been properly serviced may result in engine failure and void warranty.

CHECK AIR CLEANER ELEMENT: Refer to diagram below.

1. Remove the Left Access Cover (Refer to Controls and Features section).
2. Remove the Air Cleaner Case.
3. Pull out the Air Cleaner Cartridge, following the direction of the arrow.
4. Reinstall the Air Cleaner Element.
5. Reinstall the Air Cleaner Case.
6. Reinstall the Left Access Cover.



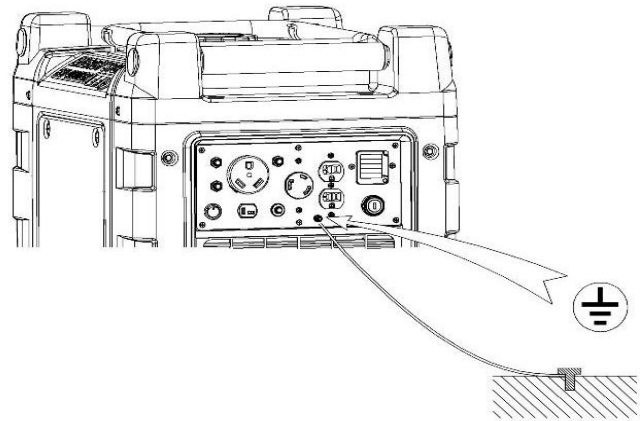


Pre-Operating Instructions: Generator Setup

CAUTION: Any attempt to start the generator before it has been properly serviced may result in engine failure and void warranty.

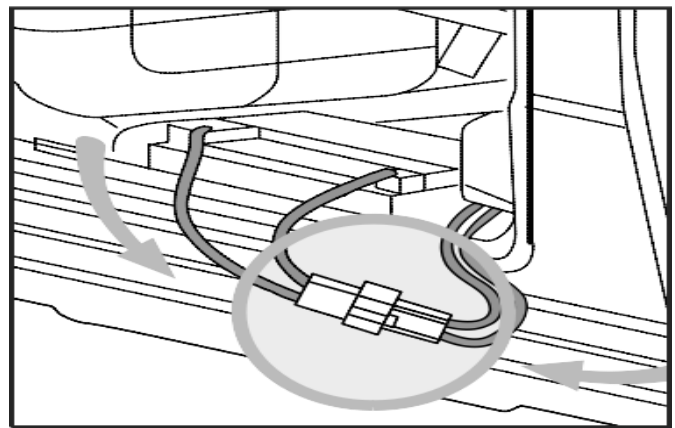
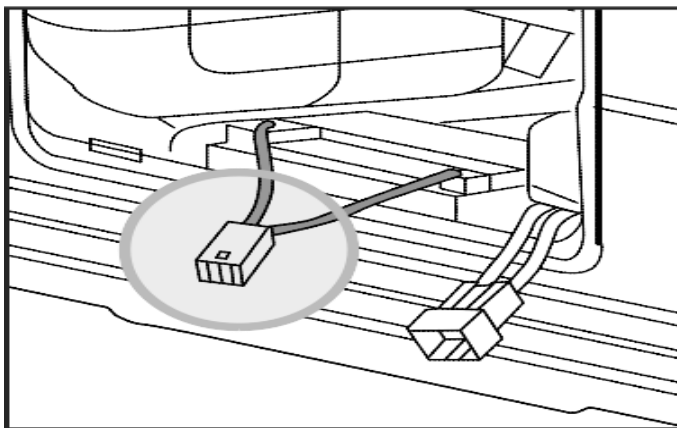
GROUNDING THE GENERATOR: Refer to the diagram below.

1. Connect the Ground Terminal on the generator to an acceptable source of electrical ground, such as a copper-grounding stake, using copper electrical wire with a minimum diameter of 16 gauges.



BATTERY ASSEMBLY AND MAINTENANCE:

1. Remove Left Access Panel.
2. Insert battery into battery tray.
3. Install battery cover and tighten clamping nuts.
4. Disassemble the setscrew, and then connect the wires. The red terminal is anode (+) and the black terminal is cathode (-). If your unit is equipped with plug-in see diagram.
5. Reinstall Left Access Panel.





Understanding Your Battery

When the key is turned to the ON position the display illuminates, the ECU turns on, the fuel pump turns on long enough to bring up the fuel pressure, and the stepper motor is energized for proper throttle position for starting. Because of the power requirements of these components, the battery in this generator is considered dead at a higher voltage than it would be in other types of equipment. The battery must have a charge of at least 10.5V to be able to start the generator, even by recoil. If the battery has a charge in the range of 10-10.5V, the generator may crank very well, but the starter will be drawing most of the power, depriving the other components of the power they need to successfully start the generator. There must be a battery charge in excess of 10.5V to ensure that all of the components have the power necessary to start the generator.

During normal use, the generator engine will be shut off with either the remote fob, the ignition key, or by pressing the red STOP button on the control panel. This manual provides instructions, notes, and warnings dealing with each of those methods of stopping the generator. But the engine may shut off for any of the following reasons:

- The generator may run out of gas.
- The generator may run low on oil.
- The ECU may shut off the engine due to an error reported by a sensor.

These shutdowns may occur when you are not present. When the generator engine shuts off, there will still be a drain on the battery due to the display, the ECU, and the stepper motor, as long as the key is in the ON position. Although your unit is equipped with a sleep mode that shuts down these components when the generator is not running, the sleep mode circuit will still be monitoring the generator, and over time this circuit will drain the battery below the 10.5V necessary to start the generator. ***You must turn the key to the OFF position, and turn off the remote switch, to shut off the electronics completely.***

If you are operating the generator through the remote fob and the engine is not running, the remote switch will blink red to remind you to turn the remote switch off. **Whenever the remote switch is on, it is drawing current from the battery. When the engine is not running, the battery will not be charged to compensate for the load from the remote receiver, and over time the battery will be drained below the 10.5V necessary to start the generator. You must turn off the remote switch when you will not use the remote fob to start the generator.**



Understanding Your Battery (Continued)

If the generator will not start, check the battery voltage with a voltmeter. You can access the battery through the left maintenance door, or you can simply check the voltage through the battery charge receptacle on the control panel. This receptacle is connected directly to the battery, so it can be used without the generator running, or the key in the ON position, or the remote switch on.

If the battery voltage is below 10.5V, you must charge the battery by connecting a 12V trickle charger to the battery charge receptacle on the control panel (“back-charging”), or directly to the battery leads. Allow the battery to charge fully before attempting to start the generator.

Included in your packaging is a 12volt battery charger. When you are starting your unit for short periods, you can utilize this feature to maintain the charge in your battery. After longer storage intervals this charger can be used to re-charge your battery. Plug it in a minimum of 24hps prior to use.



BATTERY ASSEMBLY AND MAINTENANCE:

1. Remove Left Access Panel.
2. Insert battery into battery tray.
3. Install battery cover and tighten clamping nuts.
4. Disassemble the setscrew, and then connect the wires. The red terminal is anode (+) and the black terminal is cathode (-).
5. Reinstall Left Access Panel.



Battery Charger/Maintainer Instructions

(For use with models ESI 4000iER-EFI-CA and ESI 7000iER-EFI-CA)

Thank you for your purchase of your new EnergyStorm Digital Inverter Generator. As our way of saying “thank you” please find packaged in your unit our new Battery Trickle Charger/Battery Maintainer for your Inverter Generator. When you store your unit for long periods of time, any period exceeding 30 days, you can utilize your Battery Trickle Charger/Maintainer to keep your battery in a charged condition or if you have allowed your battery to become completely discharged it can be used to re-charge your battery however this will take an extended period of time, normally 24 hours or longer. It is always recommended to fully charge your battery at least once per month.



This device will have a “T-type” 12v male plug in and a standard 3 prong 110v plug attached to the charger. To use, simply plug the 12v “T-type” male plug into the “T-type” receptacle found on the control panel of your unit and plug the 3 prong 110v plug into an appropriate 110v receptacle wherever the unit is to be stored.

If you have any questions concerning the operation of this device please call our Customer Hotline @ 866-471-7464, option 2 for Service and Parts and we will be happy to assist you.

“You’re Best “Value” on Today’s Equipment Market”



Operation of Generator

HOW TO USE YOUR GENERATOR

GENERATOR LOCATION:

WARNING!	
	Running generator gives off carbon monoxide gas. It is odorless, colorless, and highly toxic. Breathing carbon monoxide gas can lead to fainting, nausea or may result in death.
	Only operate generator outdoors. Prevent exhaust gas from entering, through windows doors or ventilation intakes, any confined areas. DO NOT operate generator inside any enclosed or roofed areas. This includes the generator compartment of any recreational vehicle (RV).

WARNING

- To prevent electrical shock from faulty appliances, the generator should be grounded. Connect a length of heavy cable between the generator's grounding terminal and an external ground source.
- This generator is not intended, nor designed, for use as a standby power supply, or to be connected to an automatic transfer switch (ATS); it should never be used as such. Severe property damage and/or severe personal injury or death may result. Such back feed may electrocute utility company workers or others who contact the lines during a power outage. When utility power is restored the generator may explode, burn, or cause fires in the building's electrical system.
- **Do not attempt to connect generators in parallel unless it is a ESI2500 or ESI3100 inverter generator, which are designed and equipped for parallel connection.**
- Indoor use of a generator can kill quickly. Generators should be used outdoors only.

CAUTION

- The total wattage of all appliances connected must be considered.
- Do not exceed the current limit specified for any one receptacle.
- Do not connect the generator to a household circuit. This could cause damage to the generator or to electrical appliances in the house.
- Do not modify or use the generator for purposes other than its intended use.
- Do not connect an extension to the exhaust pipe.
- When an extension cord is required, be sure to use a rubber sheathed flexible cord. Also be sure to use the proper size and length cord.
 - 16 Gauge Cords - a 16 gauge cord between 0 and 100 feet long will safely handle tool and appliance loads up to 10 amps.
 - 14 Gauge Cords - a 14 gauge cord between 0 and 50 feet long will safely handle tool and appliance loads between 10 and 15 amps.
 - 12 Gauge Cords - a 12 gauge cord between 50 and 100 feet will safely handle tool and appliance loads between 10 and 15 amps.



Operation of Generator

NOTE

- Keep the generator away from other electric cables or wires such as commercial power supply lines.
- The DC receptacle (in the **Battery Charge** section of the control panel) can be used while the AC power is in use. If you use both at the same time, be sure not to exceed the total power for AC and DC.
- Most appliance motors require more than their rated wattage for start-up.
- It is normal for the run time indicator to have 1-2 hours on the meter from the factory for testing and quality assurance inspections.
- This generator uses a system ground which connects the ground terminals in the AC receptacles on the control panel to the unit frame. The AC neutral wire is not connected to the system ground. If you check the receptacles on this generator with a receptacle tester, the ground circuit condition will appear different than it would for a receptacle in your home.



CAUTION!

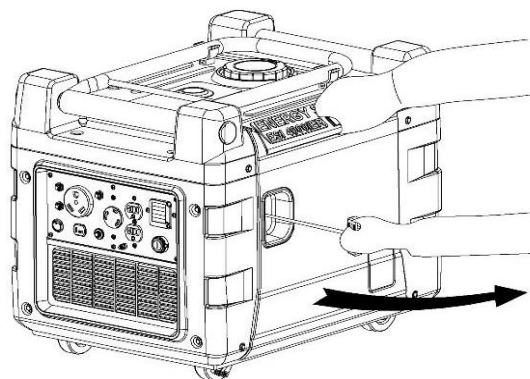
Never start or shutoff the generator with electrical loads connected and in the operational mode (on switch activated).

1. Unplug all electrical loads from the generator.
2. Make sure the generator is in a level position.

PULL START (RECOIL) MODELS: Your ESI 4000iER-EFI-CA is recoil and Electric Start

Your ESI 7000iER-EFI-CA is Electric Start Only, no recoil is included.

3. Place the ignition switch in the "ON" (I) position using the provided key.
4. Grasp starter handle and pull slowly until resistance is felt. Then pull the cord rapidly with a full arm stroke. Allow the rope to return slowly. Do NOT allow the rope to snap back against housing.





Operation of Generator

HOW TO USE YOUR GENERATOR (continued)

ELECTRIC/PULL (RECOIL) START MODELS:

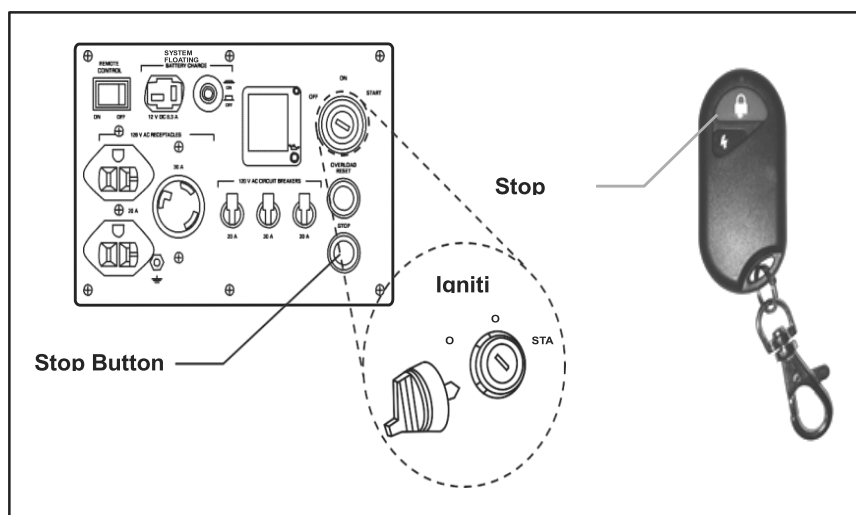
- Using provided key, turn the ignition switch to the “ON” position. Rotate the key one more position to the “START” position in order to engage the starting motor. Hold key switch in the “START” position until engine starts, for NO MORE than 10 engine rotations. If the engine does NOT start, repeat procedures beginning with Step One (1).

REMOTE START MODELS:

- Place the remote start switch on the control panel in the “ON” position. **CAUTION:** Leaving the remote start switch in the “ON” position for more than six hours without operation will result in a dead battery and the inability to start the unit with the key switch or the remote start.
- Double-click and hold the “ON” button (marked with a lightning bolt) on the remote start until the engine starts

NOTE (all models): If generator does not start within three pulls, check the crankcase oil level. The engine’s “Low Oil Shutdown Protection” circuit may be activated and preventing the engine from starting.

NOTE (all models): Unit is equipped with an Automatic Choke and Stepper Motor controlled on the ECU.





Operation of Generator

CONNECTING ELECTRICAL LOADS:

1. Ensure engine is started and Green Indicator Light illuminates before plugging in any electrical appliance.
2. Plug in desired 120 Volt load to the 120 Volt U-Ground receptacles or the 120 Volt NEMA 14-30 twist lock receptacle. Always plug appliances into the generator with appliance in its "OFF" position.
3. Plug in 12V DC load to the DC receptacle. DC and AC power may be used simultaneously. Circuit Breaker may need to be re-set before using 12V receptacle. When charging 12V batteries insert the charging plug into the DC socket and then connect the terminals to the battery. After charging is complete, remove battery terminal first, then un-plug charging plug from generator. Remove the ground wire of Car Batteries prior to charging and re-connects after charging is complete to avoid short circuit or spark.
4. Do NOT connect 240 Volt loads to the 120 Volt receptacles.
5. Only connects single-phase 60 Hertz loads.
6. **DO NOT OVERLOAD THE GENERATOR. FOLLOW THE PROVIDED "GENERATOR WATTAGE REFERENCE WORKSHEET" TO DETERMINE THE RUNNING AND STARTING WATTAGE OF YOUR EQUIPMENT, REFER TO THE PRODUCT SPECIFICATIONS TO ENSURE YOUR GENERATOR WILL OPERATE THE DESIRED EQUIPMENT.**

Generator Overload

CAUTION

- Repeated, substantial overloading that reports an overload condition to the digital display may damage the generator. Marginal overloading that temporarily reports an overload may shorten the service life of the generator.
- The display will remain illuminated and returning data during normal operating conditions.
- If the generator is overloaded (in excess of 4000 W), or if there is a short in the connected appliance, the values in the digital display will become zero, the message OVER will appear in the wattage (P) field of the display, and the power output will stop.
 1. Remove all electrical loads from the generator and investigate the cause of the overload.
 2. Press the (green) overload reset button. The OVER message will be cleared, and the digital display should be returning data again within 10 seconds.

NOTE

Before connecting or reconnecting an appliance to the generator, check that it is in good order, and that its electrical rating does not exceed that of the generator.



Operation of Generator

This generator has been designed to prevent the engine from “overspeed” revving. Overspeed revving occurs when a generator’s on-board monitoring systems detect a drop in voltage from the inverter, and the generator attempts to compensate by revving the engine higher to generate more electricity. In the rare event of an inverter failure, there will be no voltage output from the inverter, and the engine will remain revving at or close to its top speed. Overspeed revving for a prolonged period can damage internal components due to increased heat from the engine. With an inverter failure, each of the following three symptoms will be present:

- **The ECU will draw the engine down to idling speed.**
- **The digital display will indicate zero (0) Volts.**
- **The 120 V receptacles will not supply voltage, regardless of breaker settings.**

If your generator exhibits this behavior (it only idles, producing no voltage), take the generator to an authorized Lifan Power USA service center for servicing.

NOTE: Use the running and starting wattage provided by the equipment manufacturer if available. If not available, use provided “Generator Wattage Reference Worksheet.”

OUTPUT AND OVERLOAD INDICATOR:

The GREEN Output Indicator Light will illuminate at normal operating conditions.

The RED Output Indicator Light will illuminate when the generator is overloaded, if there is a short circuit in a connected appliance, or if Low Oil Alarm System has been tripped.

If the RED Output Indicator Light illuminates, STOP the engine and determine the cause of overload by:

- Checking the appliance(s) for proper operation, electrical shorts, and malfunctions. Also ensure the generator has the ability to provide the required starting and running watts of the connected appliance(s).
- Ensuring all appliances is in the “OFF” position upon starting the generator. Only start the connected appliance(s) when the GREEN Output Indicator Light is illuminated and the generator is providing the necessary power to run the connected appliance(s).



Operation of Generator

LOW OIL ALARM SYSTEM:

This model is equipped with a Low Oil Alert System designed to avoid engine damage from insufficient oil in the crankcase. The Low Oil Alarm System will stop the engine automatically before the oil level in the crankcase drops below safe operating levels. This will cause the RED Output Indicator Light to illuminate. Though the engine will stop running, the ignition switch will remain in the “START” position. Turn to the “STOP” position.

STOPPING THE GENERATOR

Refer to Controls and Features section for diagram.

EMERGENCY SHUTDOWN

1. Turn the Ignition Key to “STOP” position.

NORMAL SHUTDOWN

1. Unplug all electrical loads or turn the main breaker to the “OFF” position.
2. In order to stabilize internal equipment temperatures, allow the engine to run for 3-5 minutes under no load.
3. Turn the ignition switch to the “STOP” position.
4. Allow unit to cool to ambient temperature before storage or transportation.
5. Always transport the generator with the fuel valve in the “OFF” position. Failure to do so will result in damage to the engine.

REMOTE SHUTDOWN

Press and hold the “OFF” button (marked with a padlock) on the remote start



Operation of Generator

HOW TO USE YOUR GENERATOR (continued)

USAGE IN HIGH ALTITUDE REGIONS:

At high altitude, performance will decrease. Even with the fuel injection system in this generator, engine horsepower will decrease approximately 3.5% for each 1000 feet (305 meters) increase in altitude. At higher altitudes, the density of the atmosphere decreases, so there is less oxygen volume to draw into the cylinder. The ECU will compensate for this drop by reducing the fuel injected, to maintain the proper mixture. This means there will be less energy for every power stroke.

There is no ability to re-jet for this generator for high altitudes. Between the efficiency of the EFI system, and the control of the ECU, there is no need. The ECU will compensate to ensure the maximum possible performance at high altitudes.



Maintenance

NOTE: Refer to Following Procedures for Proper Method to Perform Maintenance

Maintenance Schedule

Item	Maintenance Procedure	Regular Service period (1). Perform at every indicated month or operating hour interval, whichever occurs first.				
		Each Use	1st Month or 4 to 6 Hours	Every 3 Months or 50 Hours	Every 6 Months or 100 Hours	1x per Year or 300 Hours
Engine Oil	Check	○				
	Change		○		○	
Air cleaner	Check				○	
	Clean			○ (2)		
Spark Plug	Clean / Adjust				○	
Spark Arrester	Clean				○	
Fuel Filter	Check				○	
	Replace					○ (2, 3)
Valve clearance	Check / Adjust					○ (4)
Fuel tank & strainer	Clean					○ (2)
Fuel line	Check	Every 2-years (Replace as necessary) (3)				
Battery	Clean / Charge	Charge monthly during long term storage. Check terminals for corrosion monthly, clean as needed. Expected battery life is 2 years, but can be affected by operating environment.				

Notes:

- (1) Log hours of operation to determine proper maintenance.
- (2) Service more frequently when used in dusty areas.
- (3) This fuel filter allows access to the fuel injector, so maintenance must be done in sanitary conditions. Allowing dust or dirt during maintenance may create problems. After checking or replacing, verify that the fuel filter is not leaking.
- (4) These items should be serviced by an authorized dealer unless the owner has the proper tools and is mechanically proficient. See the Service Manual.

Service Period for Oil Changes	Normal Operating Temperature
Normal – 100 hr	77°F (25°C)
95 hr	86°F (30°C)
85 hr	95°F (35°C)
70 hr	104°F (40°C)



Maintenance (continued)

OIL CHANGE PROCEDURES:

Refer to Controls and Feature section for diagram.

Periodic Maintenance of your engine oil should be performed after each 40 hours of use of you Power Equipment Product. Check your engine oil level prior to each use.

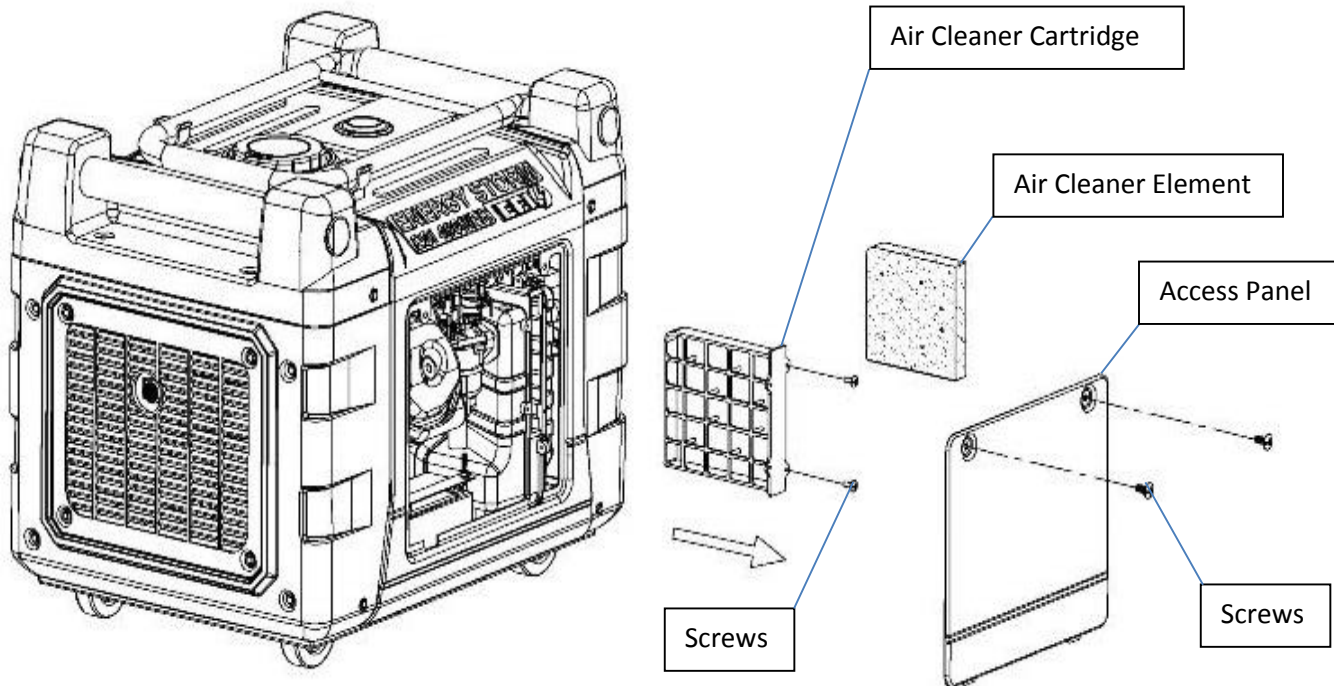
1. Start your engine and let it warm up to get the oil warm and thinner. Turn the ignition switch to the "STOP" position.
2. Remove the Right Access Cover.
3. Remove the oil cap/dipstick by turning counter clockwise. Remove the oil drain plug located below the oil cap/dipstick utilizing the appropriate tools.
USE CAUTION: THE OIL MAY BE HOT.
4. **Drain the engine oil using the provided Oil Drain Tube** into an approved receptacle and discard in accordance with all Federal and State Regulations. Never dump the used engine oil on the ground or into drains, only discard in an approved manner. Check with your local authorities to determine the regulations in your area.
WARNING! AVOID SPLASHING OF HOT OIL; IT CAN BURN YOU AND CAUSE SEVERE INJURY.
5. After oil is completely drained, replace oil drain plug and tighten with appropriate tools. Replace oil with the proper oil for your product. Refer to the Pre-Operating Instruction: Generator Setup section for exact fill requirements. Always use your dipstick to check the oil level and only fill to the full mark on the dipstick. Never overfill the engine as this can cause damage to the unit and void warranty.
6. Replace the dipstick/oil cap on the engine.
7. Replace Right Access Cover.
8. Shake generator to ensure the float in the Oil Alert System is free.

PROPER MAINTENANCE OF THE UNIT WILL INCREASE THE LIFE OF YOUR PRODUCT. THE OIL MUST BE CHANGED ON A REGULAR BASIS FOR PROPER OPERATION, AND RELIABILITY AND TO ALSO MAINTAIN THE WARRANTY ON THIS PRODUCT.

Maintenance (continued)

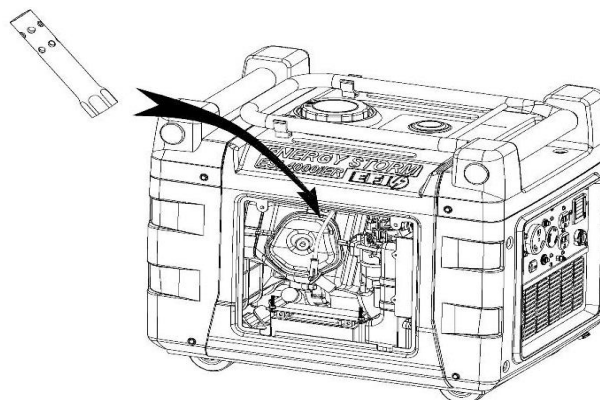
AIR CLEANER MAINTENANCE: Refer to Controls and Features section for diagram.

1. Remove Left Access Cover.
2. Remove the Air Cover Case.
3. Pull out the Air Cleaner cartridge following the direction of the arrow.
4. Check the Air Cleaner Element for cleanliness. If needed clean/replace Air Cleaner Element.
5. Reinstall Air Cleaner Element and Cartridge.
6. Reinstall Air Cover Case.
7. Reinstall the Left Access Cover.



Maintenance (continued)

SPARK PLUG MAINTENANCE:



Recommended spark plug: F7RTC

To ensure proper engine operation, the spark plug must be properly gapped and free of deposits.

1. Loosen the cover screws and remove the maintenance door.
2. Remove the spark plug cap.
3. Clean any dirt from around the spark plug base.
4. Use the supplied wrench to remove the spark plug.
5. Visually inspect the spark plug. Discard it if the insulator is cracked or chipped.
6. Clean the spark plug with a wire brush if it is to be reused.
7. Measure the plug gap with a feeler gauge. The gap should be 0.028-0.031in (0.7-0.8mm).
8. Correct as necessary by carefully bending the side electrode.

FUEL SYSTEM MAINTENANCE:

Refer to Controls and Features section for diagram. **NOTE:** Periodically you can get sediment or trash in your Carburetor Bowl.

Use the following procedures to clean:

1. Remove the Left Access Panel.
2. Remove the carburetor bowl by removing the mounting bolt located at the bottom of the bowl.
3. Dump out the old fuel and sediment into an approved container and clean carburetor bowl thoroughly.
4. Fit a new rubber washer into place and re-attach fuel bowl to the carburetor.
NOTE: Removal of the drain screw at the bottom of the bowl can drain the fuel to remove smaller debris that has collected in the bowl.
5. After bowl is securely back in place, turn the fuel Valve to the "ON" position for use.
6. Units equipped with a pre-filter for fuel will have a filter housed just below the fuel cock. Remove the fuel filter element (refer to "Fuel Filter Element Removal")

Maintenance (continued)



Fuel Filter Element Removal



Fuel Filter Element Assembly

CAUTION

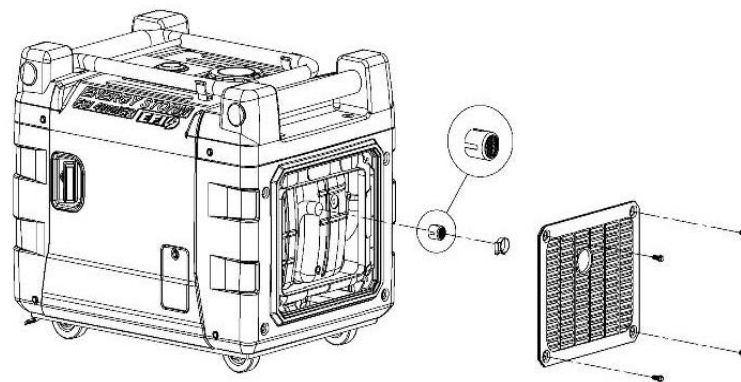
- If the generator has been running, the muffler will be very hot. Allow it to cool before proceeding.

Spark Arrestor:

NOTE

- The spark arrestor must be serviced every 100 hours to maintain its efficiency, or a decrease in Horsepower may occur.
- Because of the size of the spark arrestor opening in the exhaust grille you may decide that you do not want to take off the grille. This will not cause an issue unless you drop the arrester or the clamp or screws behind the grille. Taking the grille off or leaving it on is a matter of your convenience, but the procedure below will include removing the grille.

1. Remove the exhaust grille to access the spark arrestor.
2. Remove the screws holding the clamp and the spark arrestor to the muffler.
3. Clean the spark arrestor with a stiff wire brush.
4. Replace if the wire mesh is perforated or torn.
5. Reinstall the spark arrestor and the clamp.
6. Reinstall the exhaust grille.





Transporting the Generator

To prevent fuel spillage when transporting or during temporary storage, the generator should be secured upright in its normal operating position with the ignition switch and remote switch turned “OFF”.

When transporting the generator:

- ⚠ WARNING** • Do not operate the generator while it is on or in a vehicle.
- If you must transport the generator in an enclosed vehicle, drain all fuel from the generator.

During short term storage, the generator should be secured upright in its normal operating position with the ignition switch turned “OFF”.

Avoid placing the generator in direct sunlight when storing.

If the generator is left in an enclosed area or vehicle, high temperatures inside could cause residual fuel to vaporize resulting in possible explosion



Long term storage of the generator

During long term storage, the generator should be secured upright in its normal operating position with the ignition switch turned “OFF”.

Avoid placing the generator in direct sunlight when storing.

WARNING

- If the generator is left in an enclosed area or vehicle, high temperatures inside could cause residual fuel to vaporize resulting in possible explosion.
- Gasoline is extremely flammable and explosive under certain conditions.
- Do not smoke or allow flames or sparks in the area.

NOTE

- During long-term storage, or infrequent use of your equipment, it is important to add a fuel stabilizer, such as STA-BIL[®] Fuel Stabilizer, to help prevent fuel oxidation (breakdown) and the formation of gum and varnish, and to inhibit corrosion in the fuel system.

1. Be sure the storage area is free of excessive humidity and dust, and out of direct sunlight.
2. It is best to keep the tank at least 95% full, as condensation will be less likely to occur in the fuel tank during storage if the tank is full. Do not overfill the tank, as the fuel will need room to expand on hot days. Add an appropriate amount of fuel stabilizer (per the instructions on the bottle) and run the generator for 5 minutes to ensure that any fuel trapped in the system has the stabilizer in it. You may also opt to add the fuel stabilizer and run the unit until it is out of fuel.

If you opt to drain the fuel, then continue on with the instructions below.

3. To drain the gasoline from the fuel tank, turn the ignition switch to the “OFF” position.
4. Siphon the fuel from the tank.
5. Change the engine oil.
6. Remove the spark plug and pour about a tablespoon of clean engine oil into the cylinder.
7. Crank the engine several revolutions to distribute the oil and then reinstall the spark plug.
8. Slowly pull the starter grip until resistance is felt. At this point, the piston is coming up on its compression stroke and both the intake and exhaust valves are closed. Storing the engine in this position will help to protect it from internal corrosion.
9. Turn the remote switch to the “OFF” position to prevent unwanted, unintentional cranking and excessive battery drain.
10. Once a month, recharge the battery

Short Term Storing

For Short Term storage of your power equipment product, typically 30 days or more, perform the following:

During short term storage, the generator should be secured upright in its normal operating position with the ignition switch turned “OFF”.

Avoid placing the generator in direct sunlight when storing.

WARNING

- If the generator is left in an enclosed area or vehicle, high temperatures inside could cause residual fuel to vaporize resulting in possible explosion.
- Place the unit in a clean, dry, and secure location.
- Cover with “LIFAN Water Proof Generator Cover,” (Item Number LF100-69600 not included) or canvas/vinyl tarpaulin. Do NOT operate unit with cover installed.



Troubleshooting

IF THE ENGINE WILL NOT START:

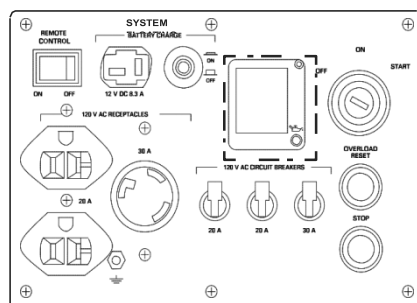
1. Check to ensure switches are in the “ON” position. (Both unit and engine)
2. Check engine oil level. Your unit possesses a Low Oil Alarm System that will not allow your engine to start if the oil is below safe operating levels. This feature is installed to increase the life of your engine and prevent engine damage. If oil level is low, fill to the full mark on dipstick. Refer to the Product Specifications for exact oil type and amounts.
3. Check the fuel level to insure adequate fuel. Add fuel if necessary.
4. Remove and inspect the spark plug for cleanliness and proper electrode gap. If needed, clean or replace the spark plug. Refer to Spark Plug Maintenance in the Maintenance section of the Owner’s Manual for proper procedure.

NOTE: Periodically on the initial start-up or after the unit has been stored for a long period of time, the float for the “Low Oil Alarm System” will stick to the bottom of your oil pan. Locate the two (2) wires to the Low Oil Sensor Diode (refer to figure on the right) located on the side of the engine block. Unplug these wires and, **only after ensuring the engine is full of oil**, start the engine and allow to run until warm (normally 20 minutes, as this will heat the oil and release the float on the Low Oil Alert System). Then re-plug the wires to the terminals on the Low Oil Alarm Sending Unit.



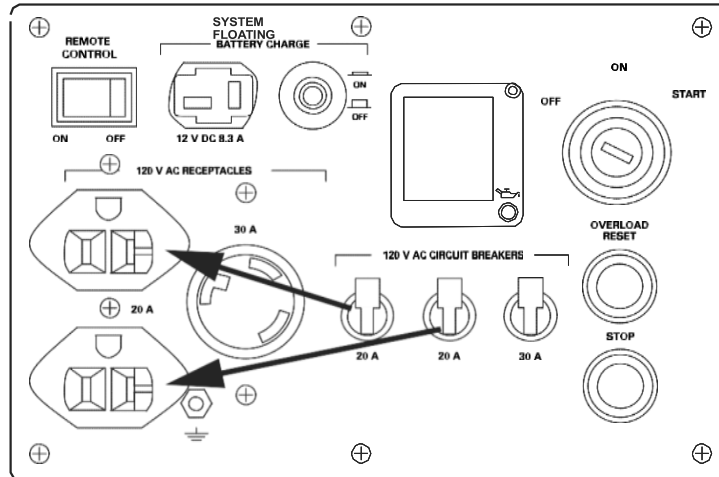
UNIT DOES NOT PROVIDE ELECTRICAL CURRENT:

1. Plug in a small appliance or tool to test.
2. Check if the AC (or DC) Circuit Breaker is in the “ON” position. If not, place in “ON” position. If equipped with a GFCI receptacle, re-set GFCI Breaker by pushing in the reset button in the middle of the GFCI’s faceplate (this must be done with the engine running).
3. If your unit still does NOT produce electricity after performing the previous checks, call LIFAN Power USA at 1-866-471-7464, your dealer, or authorized Service Center.



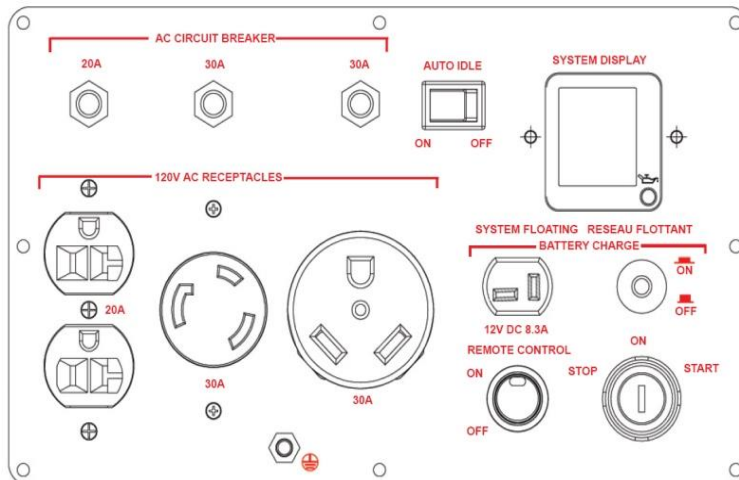
AC application

The control panel has three AC breakers: Two (2) 20 A breakers for the 5-20R split duplex receptacle, and one (1) 30 A breaker for the L5-30R twist-lock receptacle. The 20A breakers each protect one of the circuits in the 5-20R split duplex receptacle; the left 20A breaker protects the top receptacle, and the right 20A breaker protects the bottom receptacle.



Ensure that the breaker is on for the receptacle you want to use.

1. Start the engine.
2. Make sure the digital display is illuminated and returning data.
3. Confirm that the appliance to be used is switched off before plugging into the control panel.
4. Plug the appliance into the control panel.





Generator Overload

CAUTION

- Repeated, substantial overloading that continuously reports an overload condition to the digital display may damage the generator. Marginal overloading that temporarily reports an overload may shorten the service life of the generator.

The digital display will remain illuminated and returning data during normal operating conditions.

If the generator is overloaded (in excess of 4000 W), or if there is a short in the connected appliance, the values in the digital display will become zero, the message OVER will appear in the wattage (P) field of the display, and the power output will stop.

NOTE

- Remove all electrical loads from the generator and investigate the cause of the overload.
- Press the (green) overload reset button. The OVER message will be cleared, and the digital display should be returning data again within 10 seconds.
- Before connecting or reconnecting an appliance to the generator, check that it is in good order, and that its electrical rating does not exceed that of the generator.

Overspeed Protection

This generator has been designed to prevent the engine from “overspeed” revving. Overspeed revving occurs when a generator’s on-board monitoring systems detect a drop in voltage from the inverter, and the generator attempts to compensate by revving the engine higher to generate more electricity. In the rare event of an inverter failure, there will be no voltage output from the inverter, and the engine will remain revving at or close to its top speed.

- The ECU will draw the engine down to idling speed.
- The digital display will indicate zero (0) Volts.
- The 120 V receptacles will not supply voltage, regardless of breaker settings.



DC Application

You may use the DC receptacle to charge external batteries, to power DC devices, or to back-charge the internal generator battery with a battery charger. The DC receptacle provides a regulated, polarized 12V, 8.3A DC supply. The DC receptacle can be used to back-charge the generator whether the generator is running or not. The generator must be running to charge an external battery through the DC receptacle.

Charging External Batteries

⚠ WARNING

- The DC receptacle may be used for charging 12 volt lead acid batteries only. Other types of batteries may burst causing personal injury or damage.
- To prevent the possibility of creating a spark near the battery, connect the charging cable first to the battery being charged, and then to the generator. When charging is complete, disconnect the cable first at the generator.
- Before connecting charging cables to a battery that is installed in a vehicle, disconnect the vehicle's ground battery cable. Reconnect the vehicle's ground battery cable after the charging cables are removed. This procedure will prevent the possibility of a short circuit and sparks if you make accidental contact between a battery terminal and the vehicle's frame or body.
- Connect the positive charging cord to the positive battery terminal. Do not reverse the charging cables, or serious damage to the generator and/or battery may occur. Physical injury may also occur.

⚠ CAUTION

- Do not attempt to start an automobile engine with the generator still connected to the battery. The generator may be damaged.
 - Start the generator
 - Connect the charging cables to the battery terminals first
 - Connect the charging cable to the DC receptacle of the generator last.

⚠ WARNING

- Batteries give off explosive gases; keep sparks, flames and cigarettes away. Provide adequate ventilation when charging. If electrolyte gets on your skin, flush with water. If electrolyte gets in your eyes, flush with water for at least 15 minutes and call a physician immediately.

Electrolyte is poisonous. If swallowed, drink large quantities of water or milk and follow with milk of magnesia or vegetable oil and call a physician immediately.

- **KEEP OUT OF REACH OF CHILDREN.**



Powering 12V DC devices

This generator can be used to power 12V DC devices through the DC receptacle on the control panel while the generator is running. The DC output comes directly from the battery, so powering a DC device places a load on the battery. The DC device should require no more than 12V or draw more than 10A (which is the size of the DC breaker). The voltage regulator recharging the internal battery is designed for a maximum charge amperage of 11-12A, so as long as the generator is running the internal battery should not be drained.

⚠ NOTE

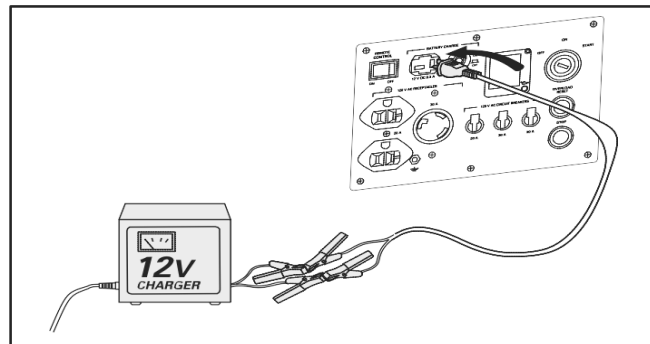
- The generator does not have to be running to power a DC device, but if the generator is not running the battery will be drained, and you may have to recharge the battery before you can start the generator again.

Back-charging the generator battery

This generator battery can be back-charged through the DC receptacle by a battery charger with a T-style connector (such as the TC2-P Plug-In Trickle Charger, part number **19674**). The generator does not have to be running to back-charge the battery, and there are no special considerations for switches to be on or off for the battery to charge, though if the generator is not running, the remote switch should be in the “OFF” position.

⚠ NOTE

- The ECU and fuel pump require the battery to retain some charge, or the generator can't be started, even by recoil. It may be necessary to charge the battery before the generator can be started at all.
- Connect the polarized connector of the battery charger to the DC receptacle.
- Charge the battery for 3 hours. If you are using the TC2-P Plug-In Trickle Charger, charge the battery until the status indicator goes from red to green.





Jump-starting the generator

This generator was not designed to be jump-started through the DC receptacle and it is not recommended to do so. If you connect an external battery to the DC receptacle before the generator is started and attempt to start the generator with the key fob or the ignition switch, a jump-start may occur, but it will likely trip the DC breaker. It is recommended to connect external batteries to the DC receptacle using the procedure given in ***Charging External Batteries***. If however, you do trip the DC breaker, press the breaker reset button located next to the DC receptacle on the control panel.

Low oil alarm system

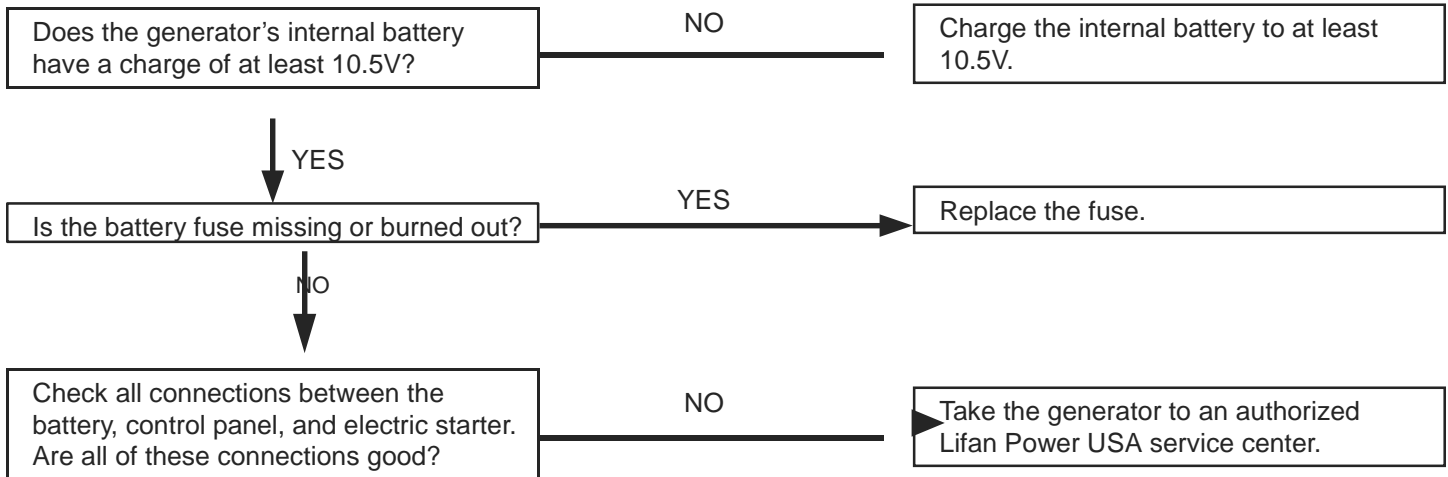
The low oil alarm system is designed to prevent engine damage caused by an insufficient amount of oil in the crankcase. Before the oil level in the crankcase falls below a safe limit, the low oil alarm system will automatically shut down the engine (the ignition switch will remain in the “ON” position).

If the low oil sensor shuts down the engine, the low oil light (red) will come on when you operate the starter, and the engine will not run. If this occurs, add enough of the approved engine oil to raise the level to the top line on the dipstick.

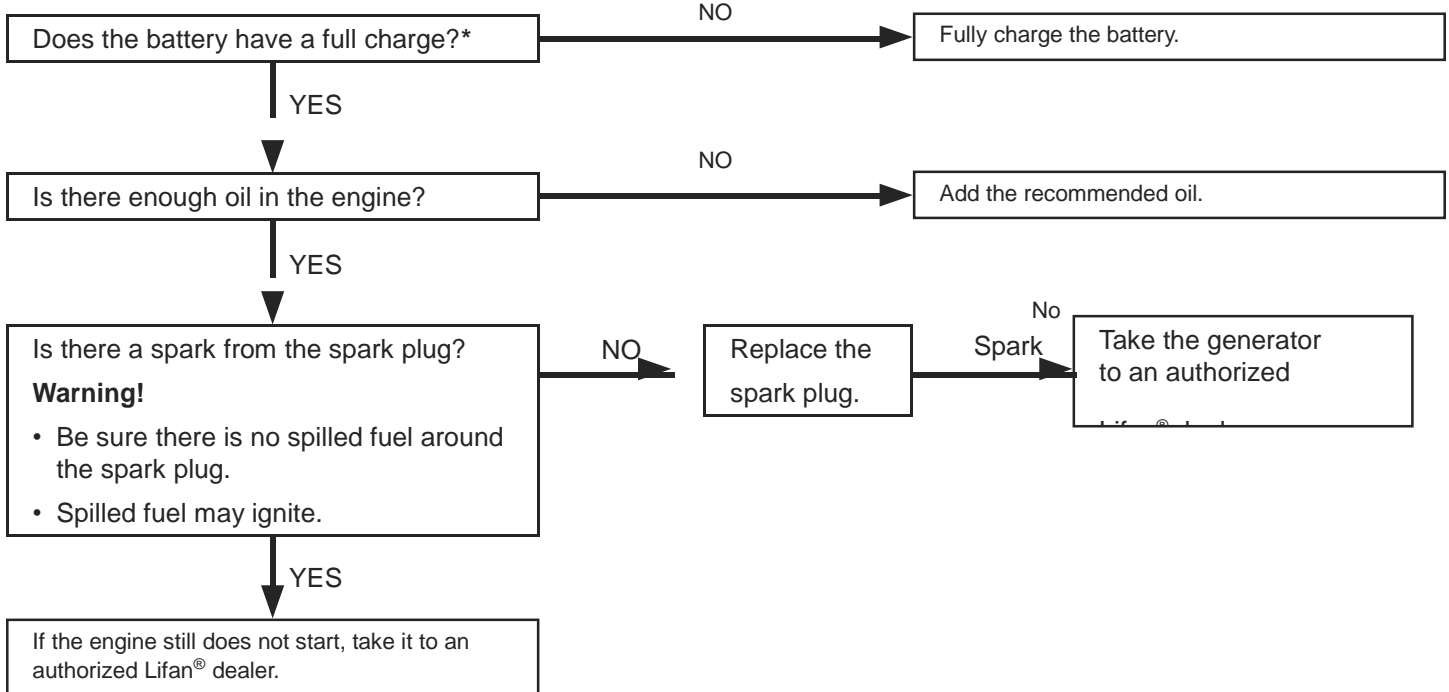


Jump-starting the generator (Continued)

Engine will not start



Engine will not crank with the key or remote start





No output at the DC receptacle

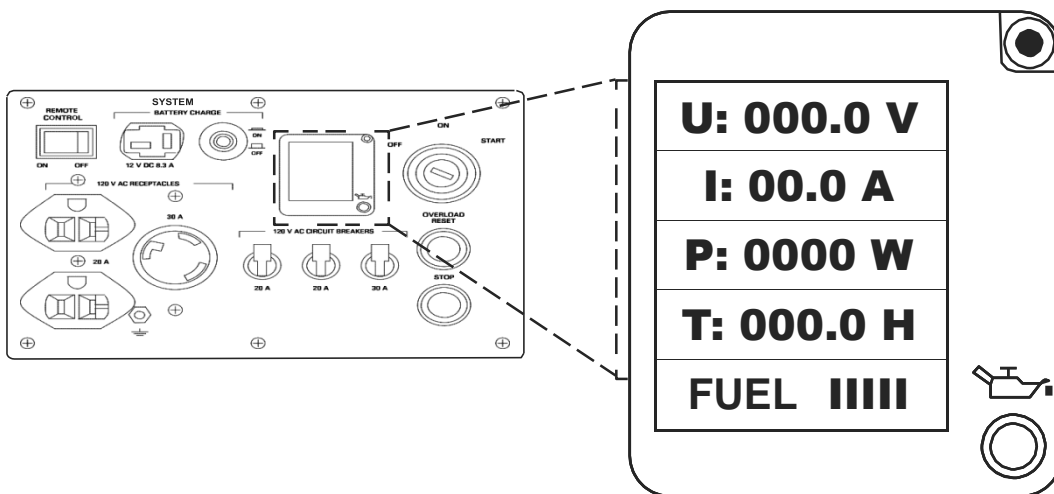


Digital display

This generator is equipped with an LCD digital display that provides continuously-updated status information for the following parameters:

- (U) Voltage—Current voltage supplied
- (I) Amperage for the generator output
- (P) Wattage (power) output for the generator
- (T) Run time—Total generator run time since first start (in hours)
- (FUEL) Fuel level (bar reading)

- NOTE** • It is normal for the run time indicator to have 1-2 hours on the meter from the factory for testing and quality assurance inspections. Within a few seconds of illumination, the display will begin to show new data, and at that point the generator is ready to supply power





Error - Fault Codes Digital Read-out

Parts	Error Code	Fault Description - Solutions to Issues
Injector	P0261	No voltage to Injector - Replace Fuel Injector or Wiring Harness
	P0262	Check Connections to Injector - Replace Fuel Injector or Wiring Harness to Injector
Manifold Air Pressure Sensor	P0107	Short Circuit - Replace MAP Sensor
	P0108	Signal Line Break - Replace MAP Sensor
Oxygen Sensor	P0130	Signal Line Break - Replace Oxygen Sensor
	P0131	Short Circuit - Replace Oxygen Sensor
	P0132	Short Circuit - Replace Oxygen Sensor
Fuel Pump Relay	P0230	Relay Shorted - Replace Fuel Pump Relay or Fuel Pump
Temperature Sensor	P0117	Circuit Short - Replace Temperature Sensor
	P0118	Signal Line Break - Replace Temperature Sensor
Step Motor	P0505	Signal Line Break - Replace Step Motor



Wattage Chart



RUNNING
WATTAGE REQUIREMENTS

ADDITIONAL STARTING WATTAGE REQUIREMENTS

HEATING/COOLING:

Furnace Fan, gas
or fuel oil furnace

1/8 horsepower	300	500
1/6 horsepower	500	750
1/4 horsepower	600	1000
2/5 horsepower	700	1400
3/5 horsepower	875	2350

Central Air Conditioner

10,000 BTU	1500	2200
20,000 BTU	2500	3300
24,000 BTU	3800	4950
32,000 BTU	5000	6500
40,000 BTU	6000	6700

HEATING/COOLING: SUB-TOTAL:

KITCHEN

Refrigerator, Average	600	2200
Dish Washer - Cool Dry	700	1400
Dish Washer - Hot Dry	1450	1400
Clothes Dryer - Gas	700	1800
Clothes Dryer - Electric	5750	1800



Microwave Oven, 750W	750	800
Washing Machine	750	2300
Coffee Maker	850	0
Toaster 2-slice	1100	0
Toaster 4-slice	1650	0
Electric Skillet	1500	0
Electric Range 6-in. element	1500	0
Electric Range 8-in. element	2100	0
KITCHEN		SUB-TOTAL:
APPLIANCES		
Lights- Wattage	Actual:	
VCR	50	0
Heating Pad	65	0
Radio	100	0
Television - Black & White	100	0
Television - Color	300	0
Dehumidifier	400	0
Electric Blanket	400	0
Garage Door Opener - 1/4HP	550	1100
Garage Door Opener - 1/3HP	725	1400
Well Pump - 1/3 hp	750	1400
Well Pump - 1/2 hp	1000	2100
Sump Pump - 1/3 hp	800	1300
Sump Pump - 1/2 hp	1050	2150
Vacuum Cleaner - Standard	800	0



Vacuum Cleaner - Deluxe	1100	0
APPLIANCES		SUB-TOTAL:
COMMERCIAL PRODUCTS:		
Jigsaw	300	300
Electric Weed Trimmer	500	500
Router	1000	1000
Belt Sander	1000	1000
Disc Sander	1200	1200
Chain Saw	1200	1200
Worm Drive Saw	1560	3100
12" Concrete Cutter	1800	3600
7 1/4" Circular Saw	1500	3000
Disc Grinder	2000	4000
Air Compressor, Average	2000	4000
COMMERCIAL PRODUCTS:		SUB-TOTAL:



CONVERTING AMPS OR HORSEPOWER INTO WATTS

If necessary, uses these formulas:

Watts = Amps x Volts

Running Watts* = Horsepower x 932** (for motors)

Remember, this worksheet lists **average power requirements** a particular manufacturer's device may use more or less than the listed wattage.

- Add a 10% correction factor to your totals to help overcome this uncertainty.

If your customer plans to operate devices that use electric motors, list **both** the **starting** and **running requirements** of each.

- **Starting requirements** of some devices maybe significantly higher than their **running requirements**. This **higher** demand must be considered when estimating your power needs. Some small, universal motors — which do not draw a heavy starting load (drills, small saws, blenders, etc.) — require very little extra current for starting.

When listing items that use motors, take them in the order of highest-to-lowest starting requirements, as shown in the example below. Motor A, for instance, has a **starting requirement** of 2,600 watts, so it's listed first, followed by Motor B at 1,300 watts, and Motor C at 1,000 watts.

MOTOR/ DEVICE	STARTING WATTS	RUNNING WATTS
Motor A	2,600	850
Motor B	1,300	600
Motor C	1,000	750

NO ELECTRIC MOTORS

If your list *does not* include any devices that use electric motors, simply add the power (**running**) requirements of all the items on your list to obtain the maximum power needed.

- For example, if you intend to use only an electric skillet, a 100-watt light and a heating pad (as shown below), the maximum power requirement would be 1,655 watts. In this case, a generator like the EF2600, that can produce 2,300 watts **rated** output, is recommended.






LIMITED WARRANTY POLICY

This warranty is limited to the following Lifan Power and Storm Series products that are distributed by the EquipSource LLC, dba LIFAN POWER USA, located at 2205 Industrial Park Road, Van Buren, AR 72956. Effective date is 4/20/2010.

LENGTH OF WARRANTY

PRODUCTS COVERED	Residential Use**			Commercial/Rental***
	1 st Year	2 nd Year	3 rd Year	Warranty not to exceed 300 hrs. Or terms listed below.
Walk Behind Mowers	Full unit parts and labor	Full unit parts only	Engine: parts only	Full unit: 3 months parts and labor
Water Pumps	Full unit parts and labor	Full unit parts only	Engine: parts only	Full unit: 12 months parts and labor
Generators/Inverter Generators	Full unit parts and labor	Full unit parts only	Engine: parts only	Full unit: 12 months parts and labor
Pressure Washer Engines	Full unit parts and labor	Full unit parts only	Engine: parts only	Full unit: 12 months parts and labor
Pressure Washer Pumps*	Full unit parts and labor	NA	NA	Full unit: 12 months parts and labor
Gasoline Engines	Full unit parts and labor	Full unit parts only	Engine: parts only	Full unit: 12 months parts and labor
Gasoline Powered Welders	Full unit parts and labor	Full unit parts only	Engine: parts only	Full unit: 6 months parts and labor

* All Lifan Pressure Pro™ and Storm Series Pressure Storm™ pressure washers are equipped with Annovi Reverberi  high pressure water pumps which are covered by the manufactures 1 year limited warranty. Go to www.lifanpowerusa.com for details.

** Residential Use is defined as items that are for personal use.

*** Commercial/Rental use is defined as any usage for income producing or other business related uses.

In order to qualify for the limited warranty the product(s) must be purchased in North America from an authorized EquipSource, LLF d/b/a Lifan Power USA dealer or a dealer authorized by EquipSource to sell Lifan products. This warranty is non-transferable and applies only to the original purchaser. The supplied "Warranty Registration Card" must be completed and on file with American Warranty Service (at the supplied address), at the time that any warranty claim is made. The "Warranty Registration Card" must be submitted with a receipt of purchase which clearly states the date of purchase and where the purchase was made.

During the warranty period (stated above) Equipsource, LLC and/or American Warranty Service will repair or replace, at its' option, any part that is proven to be defective in material or workmanship under normal usage. Repairs and/or replacement will be made without charge for parts or labor. All parts found to be defective must be returned to EquipSource or American Warranty Service at our direction. Upon reception of the parts a judgment as to the validity of the warranty claim will be determined. All parts replaced under warranty or any replacement of the complete unit will be considered part of the original product and replacement of any product, and any warranty on those parts or replacement unit will coincide with the original warranty.

To obtain Warranty Service, call our Customer Service Hotline at 1-866-471-7464 and press 2 for Warranty Service at which time you will be transferred to the technicians at American Warranty Service. In lieu of this you may call directly to American Warranty Service at 888-926-4313 to be directly connected to a repair specialist. If your issue cannot be resolved through consultation with our customer service representatives, you will be directed to an Independent Service Center of your choice nearest your location. Any manufacture's Defects of your product will be repaired or replaced at no charge to you per our commitment. If the issue with your unit is not a Manufacture's Defect, you will be advised to make payment to the Service Center upon diagnosis of repairs which are not covered under the Manufacturer's Warranty Policy. In this case the end user is responsible for all shipping and handling charges associated with the exchange and as stated above the warranty will coincide with the date of the original purchased unit.



LIMITED WARRANTY POLICY

This warranty is not valid for products or parts affected or damaged by accident, collision, normal wear, fuel contamination, abuse, neglect, misuse, alteration and/or unsuitable use or unauthorized parts replacement. Mower decks and blades are specifically not warranted for impact or abrasive damage. Warranty becomes void if the customer fails to install, maintain, and/or operate the product in accordance with the instructions and recommended actions of Lifan set forth in the owner's manual. EquipSource, LLC disclaims any responsibility for time loss or loss of usage of the product, transportation, commercial loss, or any other incidental or consequential damage. Prior to any warranty service an approval code must be issued to the service center in order for the warranty claim to be valid. Any implied warranties are limited to the duration of this written limited warranty. This warranty gives you specific legal rights, and you may also have other rights, which may vary from state to state.

OWNER'S RESPONSIBILITY

To ensure trouble free warranty coverage it is important that you register your Lifan generator by phone at 1-866-471-7464, or by filling out and returning to Lifan Power USA the warranty registration card supplied with your generator. Registering your product

This confirms your warranty coverage and provides a direct link between you and Lifan Power USA if we find it necessary to contact you.

Your receipt for purchase including date, model and serial number must be maintained and registered to receive service from an Authorized Service Dealer for warranty service. Proof of purchase rests solely with you, the original purchaser.

You must demonstrate reasonable care and use, and follow preventive maintenance, storage, fuel and oil usage as prescribed in the operator's manual for your Lifan Power unit. For the warranty assistance from a Lifan Authorized Service Dealer nearest to you, call Lifan's automated phone at 1-866-471-4764 Option 2. Should you require assistance or have questions concerning Lifan Power USA Warranty Statement, you can contact us through the web at www.lifanpowerusa.com or call toll free 1-866-471-7464.

EXCLUSIONS

- Lifan Power Equipment that utilize non-Lifan replacement parts.
- Failure to perform "Periodic Maintenance" as required and specified in the supplied "Owner's Manual."
- Costs of normal maintenance and adjustments.
- Failures caused by any contaminated fuels, oils, or lack of proper oil levels.
- Repairs or diagnostics performed by individuals other than Lifan authorized dealers not authorized in writing by Lifan.
- Failures due to normal wear and tear, accident, misuse, abuse, negligence or improper use.
- As with all mechanical devices, the Lifan engines need periodic part(s) service and replacement to perform as designed. This warranty will not cover repair when normal use has exhausted the life of a part(s) or engine.
- Failures caused by any external cause or act of God, including but not limited to, collision, theft, vandalism, riot, war, fire, freezing, lightning, earth-quake, windstorm, hail, water, flood, tornado, or hurricane or any occurrence outside of normal use and activity .
- Damage related to any animal infestation to include rodent and/or insect infestation.
- Products that are modified or altered in a manner not authorized in writing by Lifan.
- Any incidental, consequential or indirect damages caused by defects in materials or workmanship, or any delay in repair or replacement of the defective part(s).
- Failure due to misapplication.
- Telephone, cellular phone, facsimile, internet access, or other communication expenses.
- Expenses related to "customer instruction" or troubleshooting where no manufacturing defect is found.
- Overnight freight or special shipping costs for replacement part(s).
- Overtime, holiday or emergency labor.
- Starting batteries, fuses, light bulbs and engine fluids.

DISCLAIMER OF IMPLIED WARRANTIES

This limited warranty is in lieu of all other expressed or implied warranties, including any warranty of the unit's fitness for any particular use and any implied warranty of MERCHANTABILITY otherwise applicable to Lifan Power Equipment and its affiliated companies shall not be liable for any special, incidental or consequential damage, including lost profits. There are no warranties extended other than as provided herein. This limited warranty may be modified only by Lifan Power USA. Any implied warranties allowed by law shall be limited in duration to the terms of the express warranty provided herein. Some states do not allow limitations on how long an implied warranty lasts, so the above limitation may not apply to you. Some states do not allow the exclusion or limitation of incidental or consequential damages, so the above limitation may not apply to you. This warranty gives you specific legal rights. You also have other rights from state to state. Lifan's ONLY LIABILITY SHALL BE THE REPAIR OR REPLACEMENT AS STATED ABOVE. IN NO EVENT SHALL Lifan BE LIABLE FOR ANY INCIDENTAL OR CONSEQUENTIAL DAMAGES, EVEN IF SUCH DAMAGES ARE A DIRECT RESULT OF Lifan's NEGLIGENCE. Some states do not allow the exclusion or limitation of incidental or consequential damages, so the above limitation may not apply to you. This warranty gives you specific legal rights and you may also have other rights from state to state.



LIMITED WARRANTY POLICY

OWNER'S WARRANTY RESPONSIBILITIES:

As the outdoor equipment owner, you are responsible for performance of the required maintenance listed in your owner's manual. EquipSource, LLC d/b/a Lifan Power USA recommends that you retain all receipts covering maintenance on your outdoor equipment. Lifan Power USA will not deny your warranty coverage based solely on your lack of receipts for service however, the condition of the equipment upon arrival at the service center will determine the warrantable nature of the product.

As the outdoor equipment owner, you should however be aware that Lifan Power USA may deny your warranty coverage if your outdoor equipment or a part has failed due to abuse, neglect, or improper maintenance or unapproved modifications.

If you have any questions regarding your warranty rights and responsibilities, you should contact Lifan Power USA or American Warranty Service Representative at 1-866-471-7464 Option 2 Warranty and Service or at the following address Lifan Power USA, 2205 Industrial Park Road, Van Buren, AR 72956 or by contacting us through www.lifanpowerusa.com.

This warranty specifically excludes the use of any Lifan Power Equipment or Storm Series power equipment as the "Sole Source of Power" for "off the power grid applications" and this warranty will become null and void for units used for this purpose and manner. This warranty specifically excludes the use of any Lifan Power Equipment or Storm Series power equipment for the purpose of powering Life Support devices, Life Support appliances, Medical devices, and/or Medical appliances. EquipSource, LLC will not be held responsible for any damage due to the use of any Lifan or Storm Series power equipment for these purposes.



APPENDIX

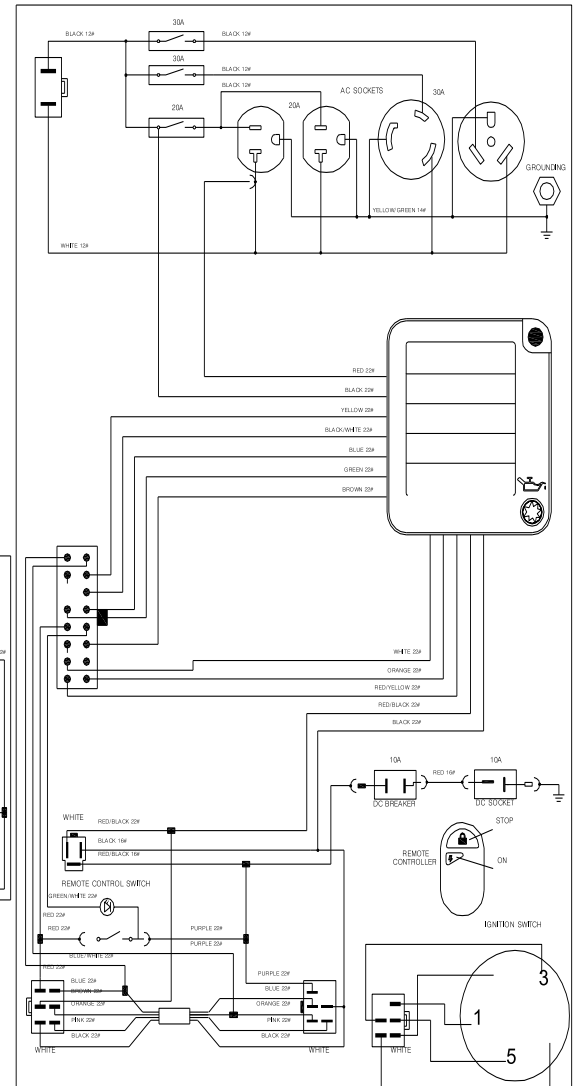
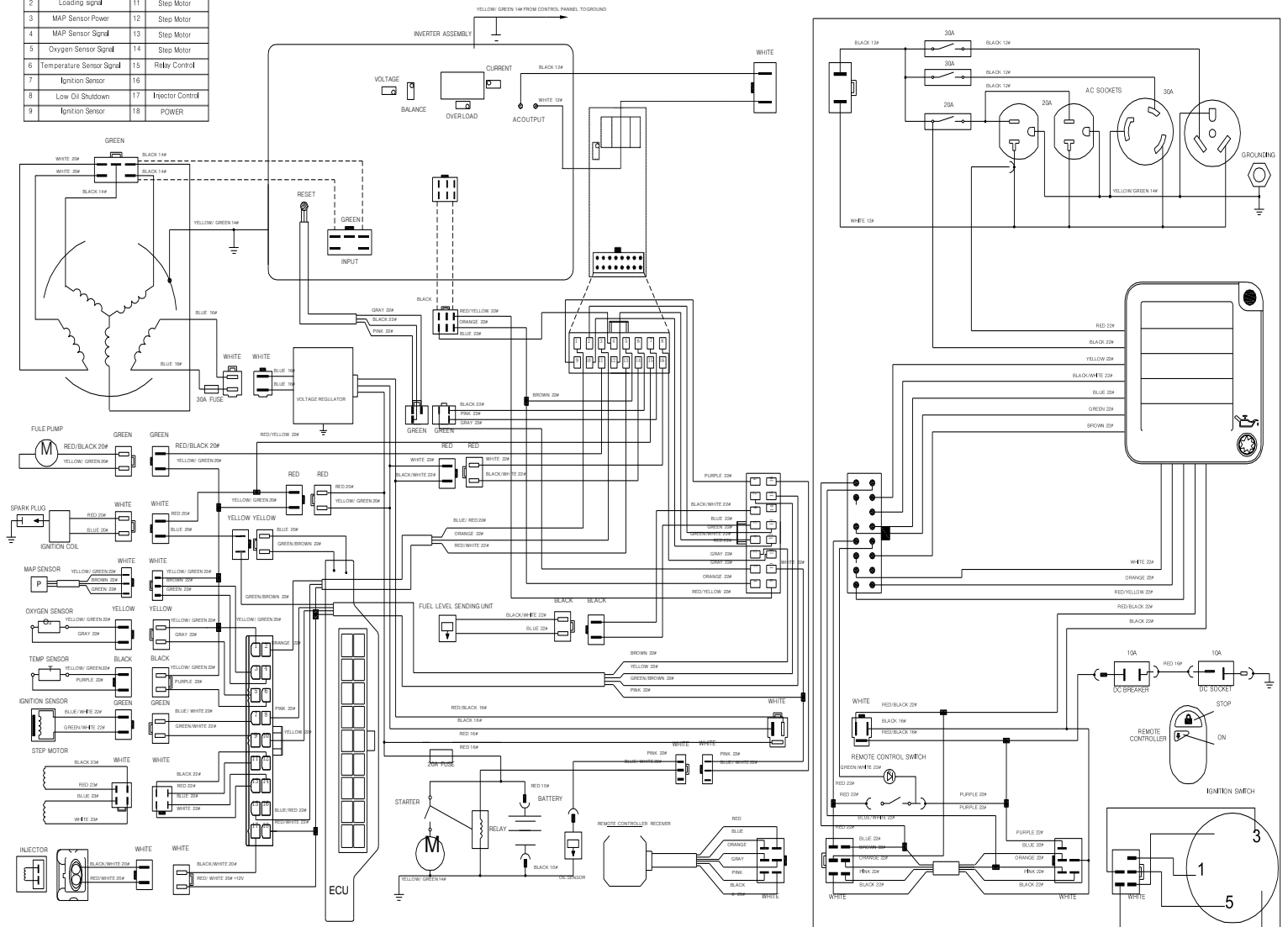
Wiring Diagram

ESI4000iER-EFI-CA

ESI4000iER-EFI WIRING DIAGRAM

ECU connectors function

NO.	Function	NO.	Function
1	Ground	10	Fault Signal
2	Loading signal	11	Step Motor
3	MAP Sensor Power	12	Step Motor
4	MAP Sensor Signal	13	Step Motor
5	Oxygen Sensor Signal	14	Step Motor
6	Temperature Sensor Signal	15	Riskly Control
7	Ignition Sensor	16	
8	Low Oil Shutdown	17	Injector Control
9	Ignition Sensor	18	POWER



ESI4000iER-EFI-CA

Exploded View & Parts





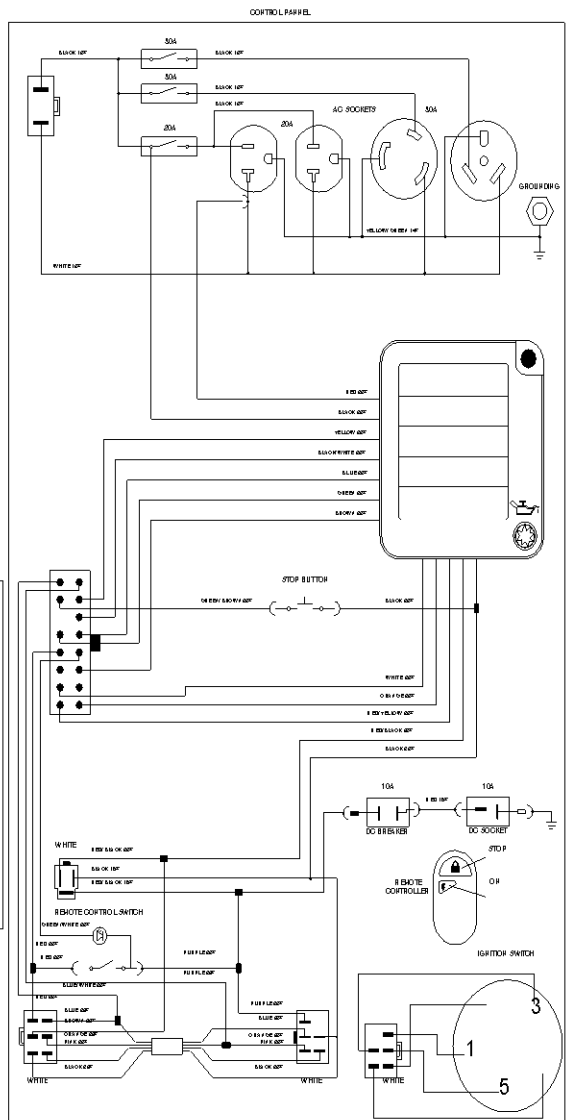
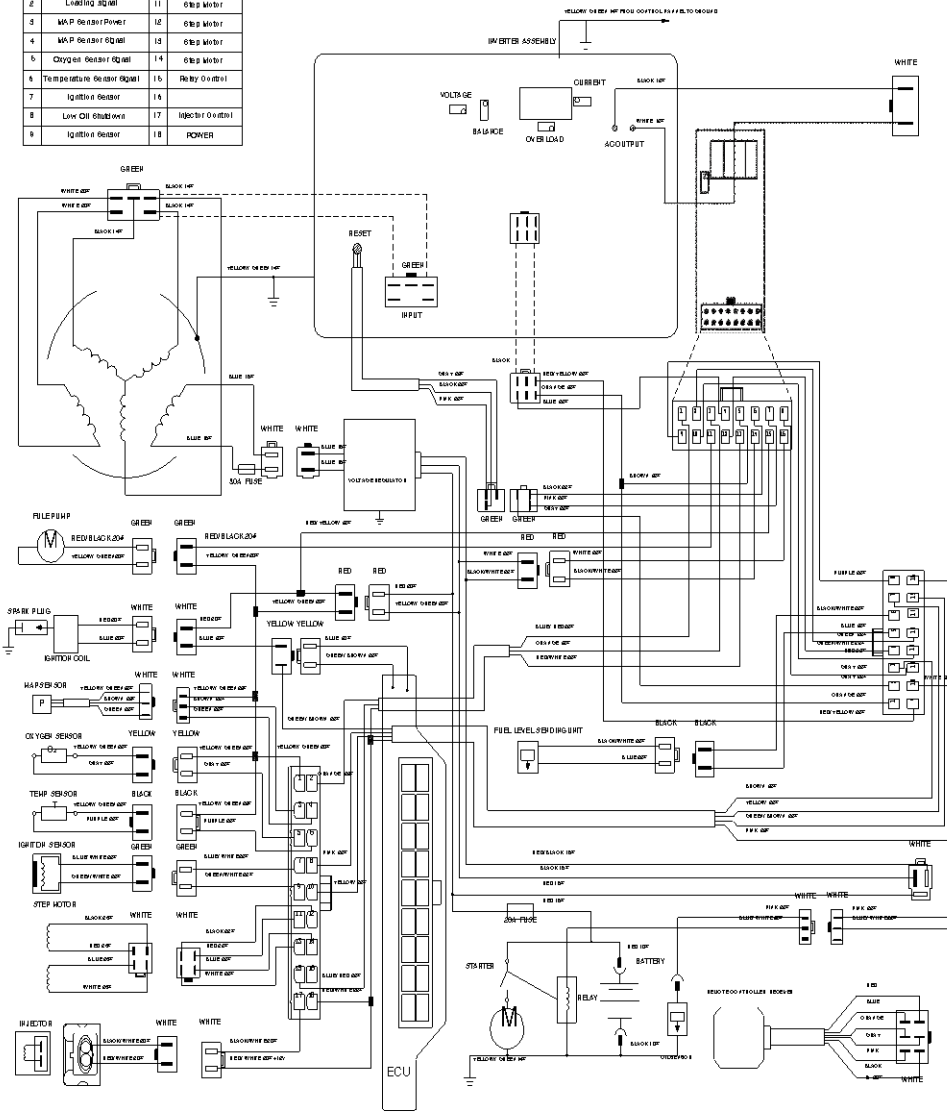
Wiring Diagram

ESI7000iER-EFI-CA

XG-Fi7000 WIRING DIAGRAM

ECU connectors function

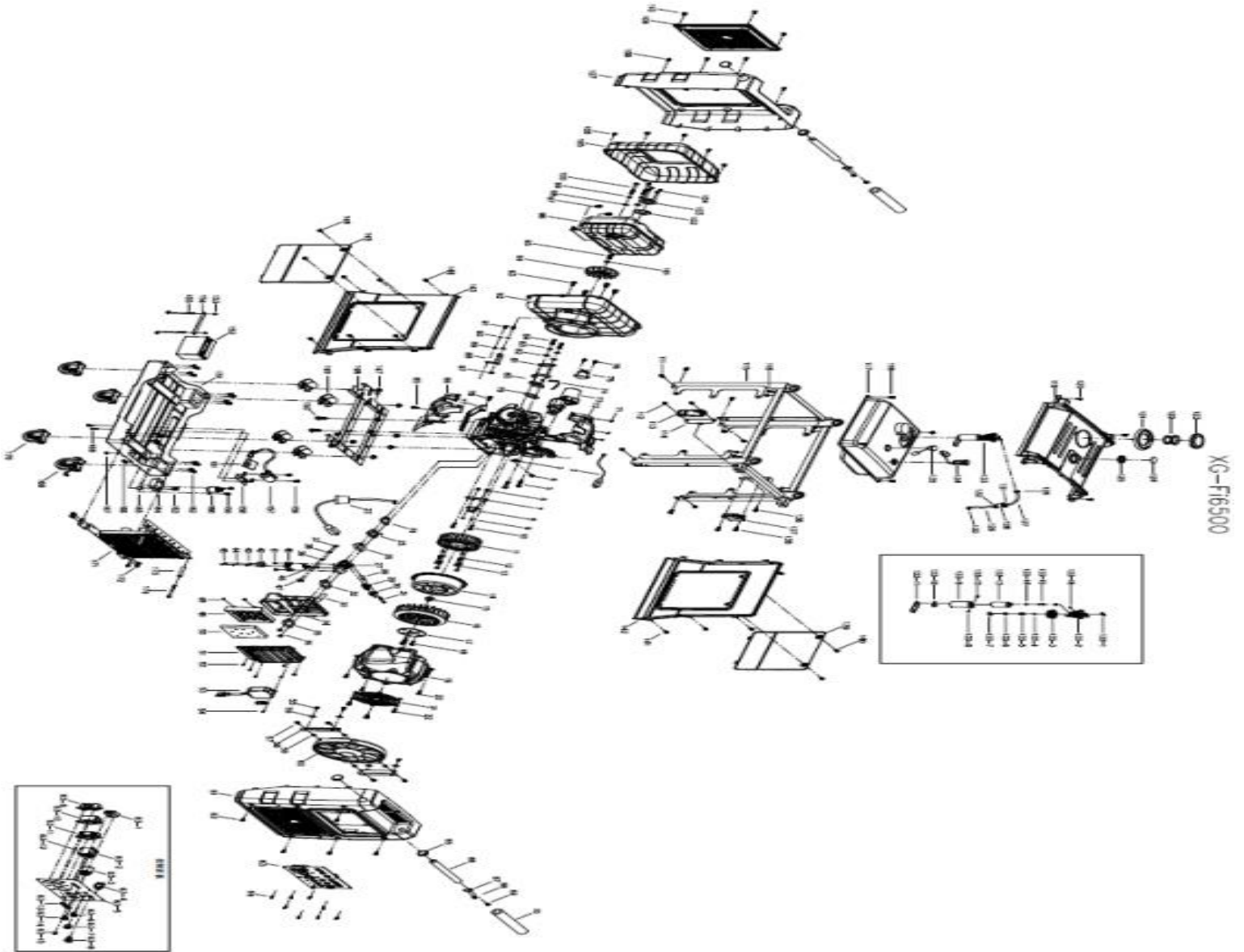
NO.	Function	NO.	Function
1	Ground	10	Fault Signal
2	Low Oil Signal	11	Oil Pressure
3	MAP Sensor Power	12	Oil Pressure
4	MAP Sensor Signal	13	Oil Pressure
5	Throttle Sensor Signal	14	Oil Pressure
6	Temperature Sensor Signal	15	Relay Control
7	Ignition Signal	16	Relay Control
8	Low Oil Shutdown	17	Relay Control
9	Ignition Signal	18	POWER



2015.06.17

ESI7000iER-EFI-CA

Exploded View & Parts





**Please Read this Owner's Manual Carefully before Operating Your
New Inverter Generator.**

**This Owner's Manual includes the operation and maintenance of
the ESI4000iER-EFI-CA and ESI7000iER-EFI-CA**

**Thank you for purchasing our
Energy Storm Invertergenerator!**

All information in this publication is based on the latest product information available at the time of approval for printing. We reserve the right to make changes at any time without notice and without incurring any obligation. The copyright of this manual belongs to EquipSource, LLC. No parts of this publication may be reproduced without the written permission of EquipSource, LLC. This manual should be considered a permanent part of the generator and should remain with it if is resold.

**For Product Support and Service Please visit us at
www.LifanPowerUSA.com or
Call Toll Free 1-866-471-7464**



FRENCH ENERGY STORMTM

Générateur onduleur

Manuel du propriétaire
No. des modèles

ESI ESI4000iER-EFI-CA



ESI ESI7000iER-EFI-CA






Ceci est le symbole d'alerte de sécurité. Il est utilisé pour vous avertir des risques potentiels de blessure.
Respectez tous les messages de sécurité qui suivent ce symbole pour éviter des blessures ou la mort.



Pour votre sécurité, veuillez lire ce guide attentivement. Familiarisez-vous avec le bon fonctionnement, les soins et l'entretien de votre générateur Energy Storm.

Le symbole de sécurité et d'avertissement () est utilisé avec un mot signal (**ATTENTION, DANGER, AVERTISSEMENT**), une image et/ou un message de sécurité pour vous avertir des dangers. **ATTENTION** indique un danger qui, s'il n'est pas évité, pourrait entraîner des blessures mineures ou modérées. **DANGER** indique un danger qui, s'il n'est pas évité, entraînera la mort ou des blessures graves. **AVERTISSEMENT** indique un danger qui, s'il n'est pas évité, peut entraîner la mort ou des blessures graves.

AVERTISSEMENT!

Lorsque que l'on fait fonctionner le générateur, il s'émet du monoxyde de carbone, un gaz inodore, incolore poison.

Respirer le monoxyde de carbone peut provoquer des nausées ou la mort!

Faire fonctionner le générateur UNIQUEMENT à l'extérieur.

On doit empêcher le gaz d'échappement d'entrer dans les zones confinées.

Éloigner le gaz d'échappement des fenêtres, des portes, de la ventilation et autres ouvertures.

Ne pas faire fonctionner le générateur à l'intérieur ou sous des bâtiments.

L'utilisation de ce générateur dans le compartiment d'un véhicule de plaisance entraînera probablement la mort!

AVERTISSEMENT!

L'échappement du moteur de ce générateur contient des produits chimiques connus à l'état de Californie pour causer des malformations congénitales, des troubles de la reproduction, et le cancer.









Ne pas utiliser ce générateur dans le compartiment du générateur d'un véhicule de plaisance!

Ce générateur ne répond pas aux US Coast Guard Regulation 33CFR-183 et ne doit pas être utilisé pour des applications marines.

L'utilisation de ce générateur pour des applications marines pourrait entraîner des blessures ou la mort.



Symboles de danger et leurs significations

					
Explosion	Incendie	Choc électrique	Vapeurs toxiques	Surface chaude ou gaz	Choc en retour

AVERTISSEMENT!

Le générateur produit une tension élevée!

Seul un électricien qualifié peut connecter en toute sécurité le générateur aux branchements des services publics existants. Ne pas isoler le générateur du réseau électrique peut entraîner la mort de travailleurs des services publics ainsi que d'autres.

- Lorsque vous utilisez le générateur comme alimentation de secours, aviser les services publics. Utiliser des équipements de transfert approuvés pour isoler le générateur de l'électricité.
- Ne Pas faire fonctionner le générateur tout en étant exposé à la pluie ou d'autres conditions humides.
- Ne Pas manipuler le générateur lors de contact avec de l'eau.
- Ne Pas toucher les fils dénudés ou les boîtiers.
- Vérifiez tous les fils électriques en cas de dommages et cesser d'utiliser les câbles endommagés ou usés excessivement.
- Ne Pas laisser des personnes non qualifiées faire fonctionner ou réparer le générateur.

AVERTISSEMENT!



Le carburant et ses vapeurs sont extrêmement inflammables et explosifs.



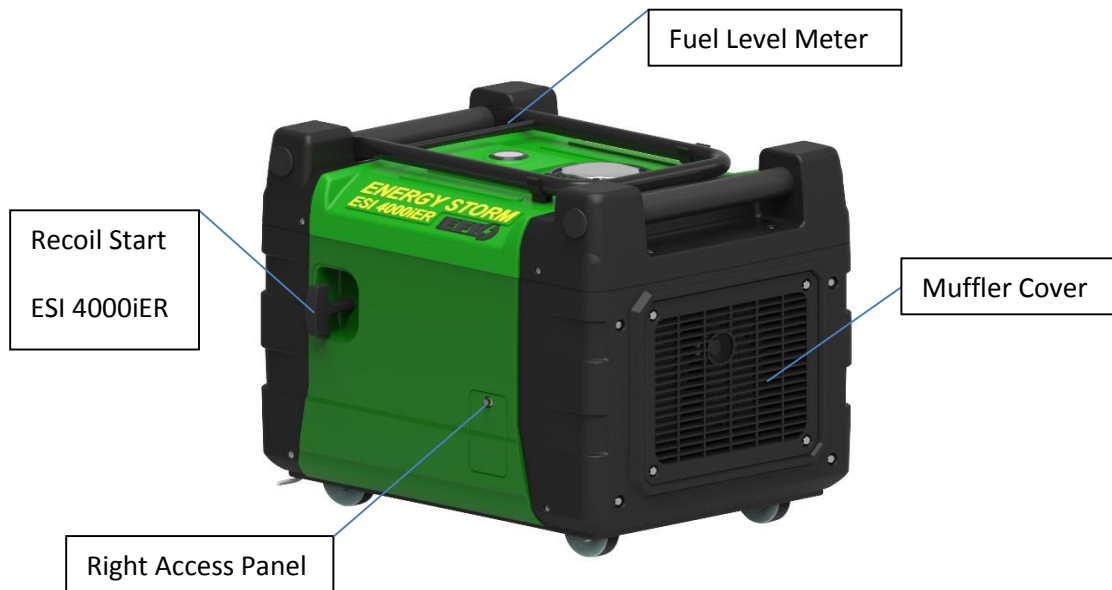
Un incendie ou une explosion peut provoquer des brûlures graves ou la mort.

Emplacements des étiquettes de sécurité

Ces étiquettes vous avertissent de risques de danger qui peuvent causer des blessures graves.

LES LIRE ATTENTIVEMENT.

Model - ESI 4000iER-EFI-CA



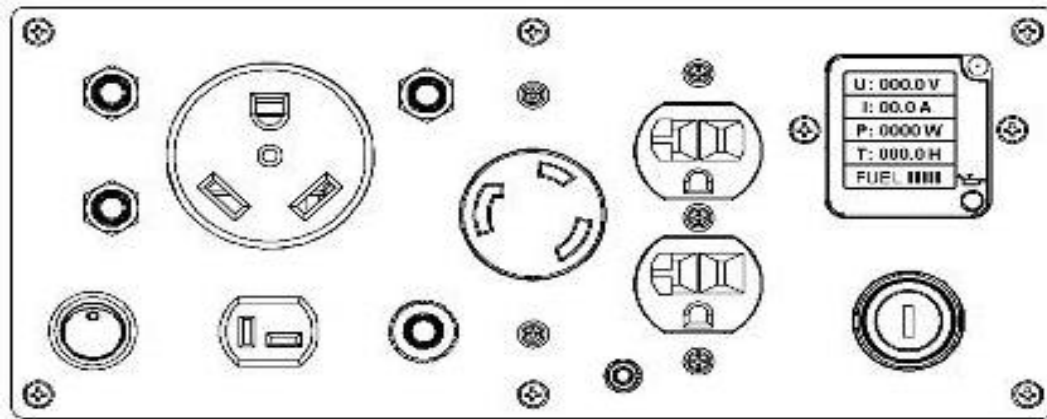
Model - ESI 7000iER-EFI-CA



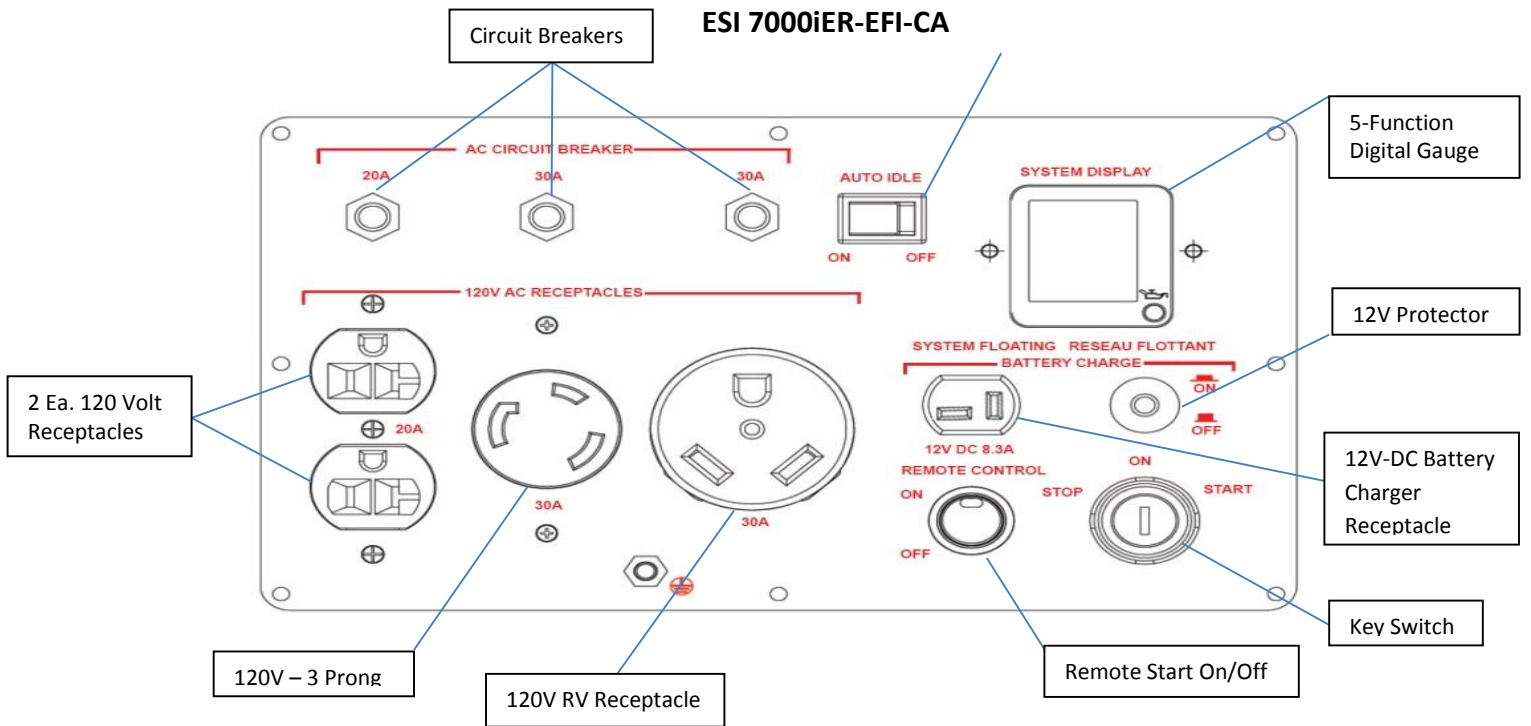
Controls and Features

Read this Owner's Manual completely and carefully before Operating Generator

ESI 4000iER-EFI-CA

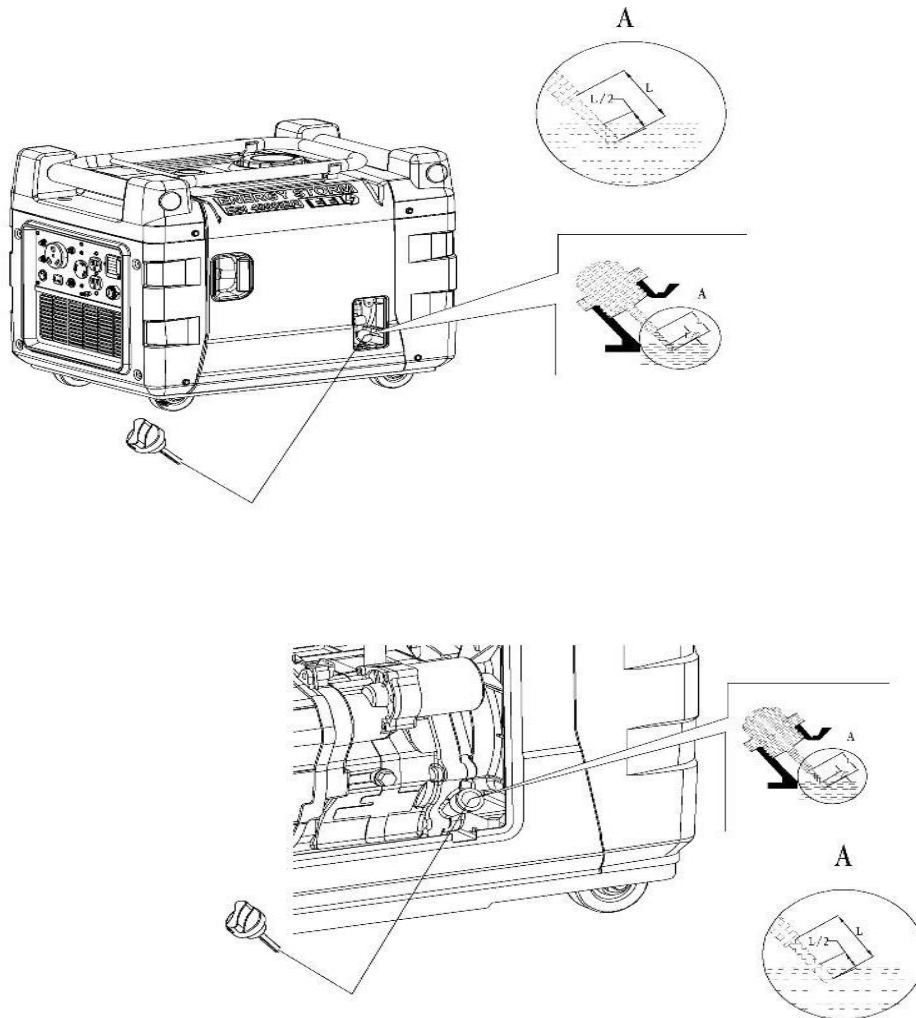


ESI 7000iER-EFI-CA



Remplissage d'huile de moteur

- Enlever le couvercle d'accès droit (voir schéma # 56004). Dévisser la jauge d'huile, essuyer la jauge avec un chiffon propre, puis insérer la jauge dans le réservoir d'huile, et vérifier le niveau de l'huile. Si le niveau d'huile est faible ou inférieur à ce qui est recommandé, remplir avec de l'huile recommandé utilisant la bouteille de remplissage d'huile (incluse dans l'ensemble d'outils)



1. Vérifier le niveau de l'essence



L'essence est extrêmement inflammable et explosive dans certaines conditions.

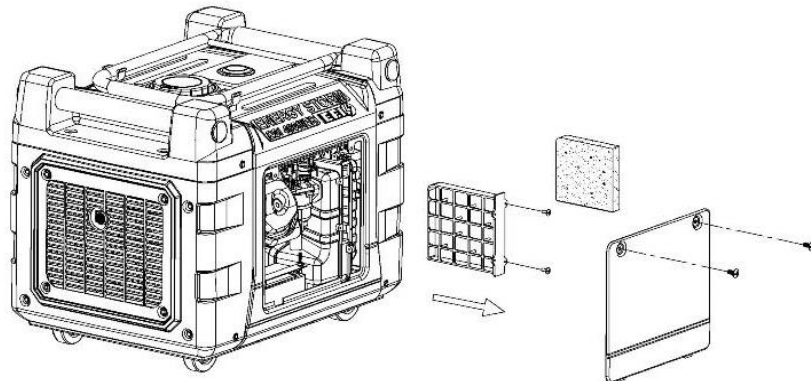
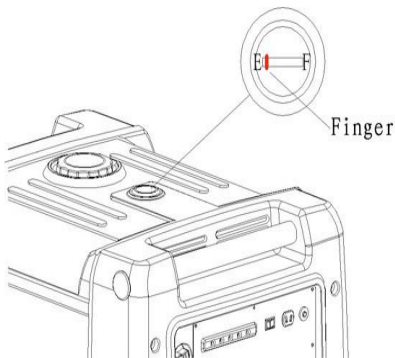
● Do not allow flames or sparks where the generator is refueled or where gasoline is stored. Ravitailler en carburant dans une zone bien aérée avec le moteur arrêté.

● NE PAS trop remplir le réservoir. Serrer le bouchon du réservoir après l'ajout de carburant.

● Être prudent et éviter le déversement accidentel d'essence lors de l'ajout de carburant, le carburant déversé ou les vapeurs de l'essence peuvent s'enflammer. Dans le cas d'un déversement de carburant, s'assurer que tout le carburant se soit vaporisé ou qu'il ait été nettoyé avant de démarrer le moteur.

● Éviter tout contact avec le carburant ou la respiration des vapeurs d'essence. Toujours se laver les mains ou les zones exposées au carburant.

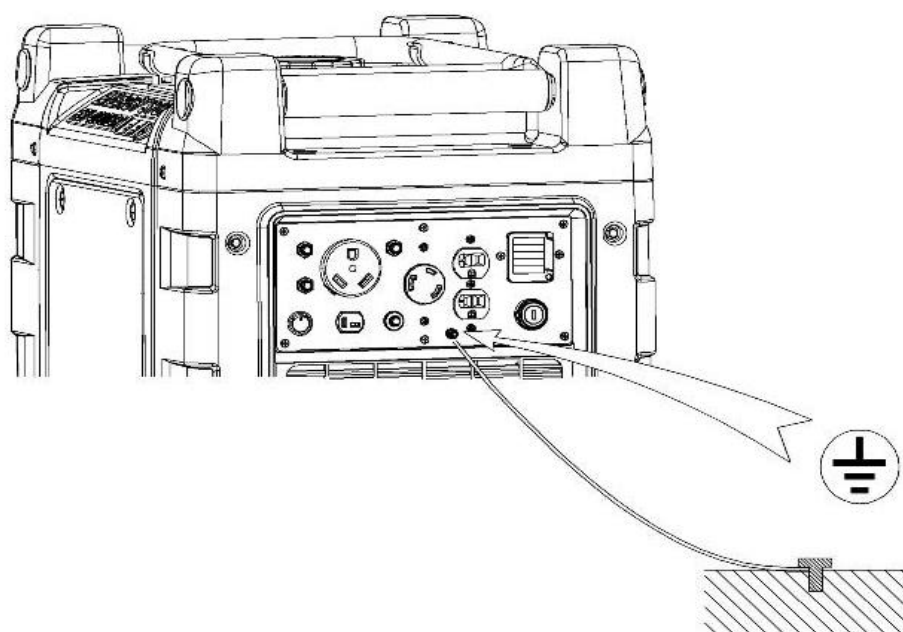
Vérifier le niveau d'essence sur la jauge (Schéma 56006) avant de démarrer le générateur. Remplir le réservoir d'essence aux bons niveaux avec de l'essence de 87 octane. Toujours remplir avec de l'essence propre et fraîche. Éviter de laisser entrer de la saleté ou de l'eau dans le réservoir de carburant. Serrer le bouchon du réservoir après l'ajout de carburant.





Mise à la terre du générateur

Avec un fil électrique en cuivre d'un diamètre minimum de calibre 16, connecter la borne de terre du générateur à une source acceptable de masse électrique, tel qu'un pointeau de mise à la terre en cuivre.

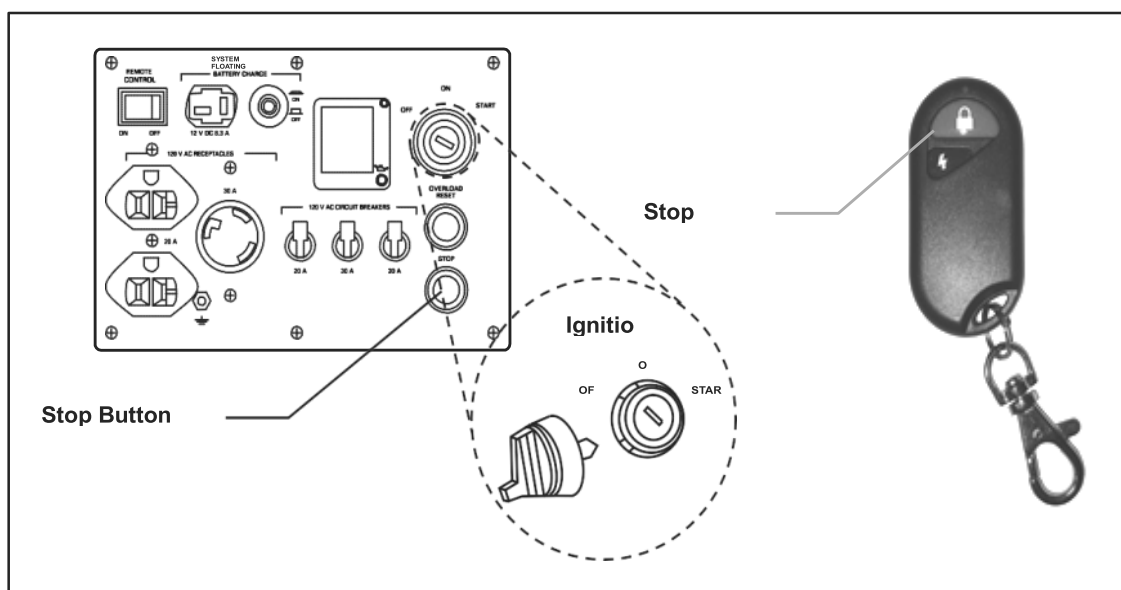


Démarrage du moteur

Be careful

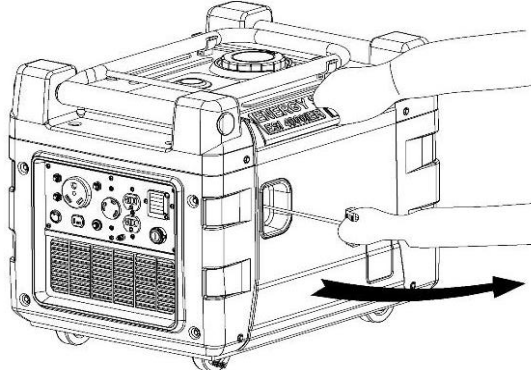
S'assurer que tous les appareils sont débranchés de la prise.

Mettre la clé dans le commutateur d'allumage et tourner la clé vers la position 'EN MARCHE'.



Tourner la clé du démarrage électrique à la position de “DÉMARRAGE” et lâcher lorsque le moteur démarre

1. Démarrer le lanceur-démarrreur (uniquement pour les modèles électriques/lanceur-démarrreur)



- A. Ouvrir le commutateur d'essence
- B. Placer la clé dans le commutateur d'allumage, et tourner la clé à la position «ON».
- C. Tirer la corde de démarrage jusqu'à ce que vous sentiez la résistance, puis tirer vigoureusement pour démarrer le moteur.

BE CAREFUL

Ne pas laisser la poignée de démarrage revenir brusquement contre le moteur. La ramener doucement pour éviter d'endommager le démarreur ou le boîtier.

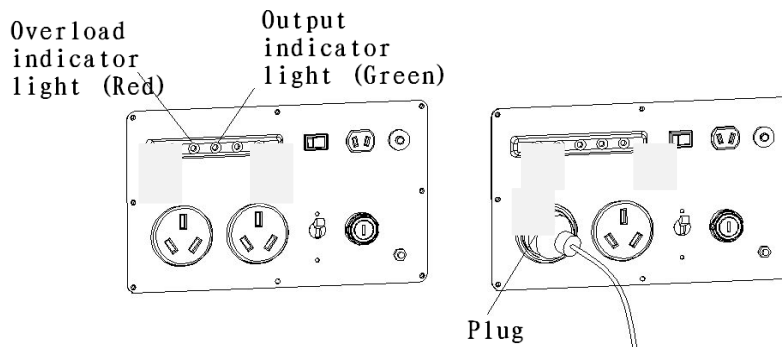
⚠ NOTE!

- Vous pouvez utiliser le courant en continu en même temps que vous utilisez l'alimentation en alternatif.
- Veuillez ne pas dépasser la puissance ou le wattage total du courant en continu et alternatif
- Faire attention à la puissance de démarrage et les exigences de puissance lorsqu'en marche pour déterminer les éléments à être alimenté par le générateur. Consulter le Tableau d'utilisation de puissance situé au dos de ce guide.

1. Comment utiliser la puissance de courant alternatif

1. Faire démarrer le moteur sans appareils électriques branchés au générateur.
2. Après que l'unité ait démarré et que la lampe témoin de sortie verte (voir schéma # 56011) se soit allumée, vous pouvez maintenant brancher et faire fonctionner des appareils électriques.

Schéma #56011

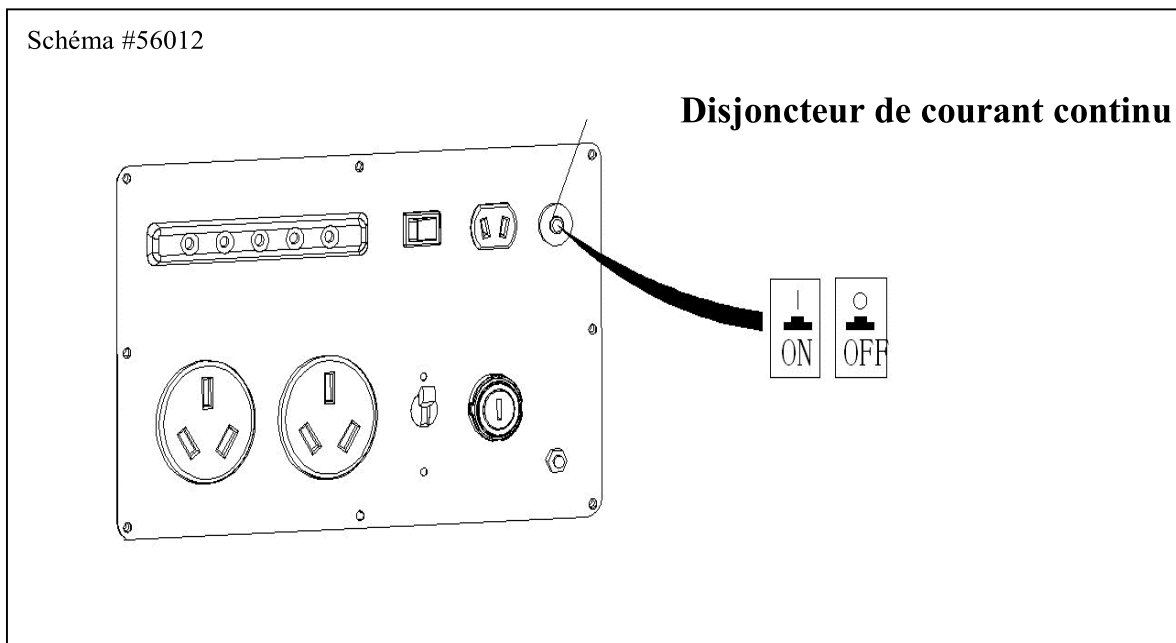


⚠ NOTE!

- Lors de l'utilisation de la sortie c.c., tourner le commutateur de marche au ralenti automatique à la position d'arrêt (voir le schéma #56361 pour l'emplacement du commutateur)

- Vous pouvez utiliser le courant continu et le courant alternatif en même temps.
- Le circuit saturé de courant continu peut se déconnecter. Réinitialiser le protecteur de circuit en appuyant sur le bouton de réinitialisation.

Schéma #56012



Instructions spéciales pour le chargement de batteries de 12 volts (schéma #56013)

⚠ Warning!

Lors du chargement, brancher la fiche de chargement dans la prise de courant continu, puis connecter aux bornes de la batterie. Après le chargement, retirer les bornes de la batterie d'abord, puis débrancher la fiche de chargement. Cette procédure réduira les chances de formation d'étincelles.

Lors du chargement des batteries de voiture, veuillez enlever le fil de terre de la batterie en premier, le reconnecter après le chargement afin d'éviter un court-circuit ou une étincelle.



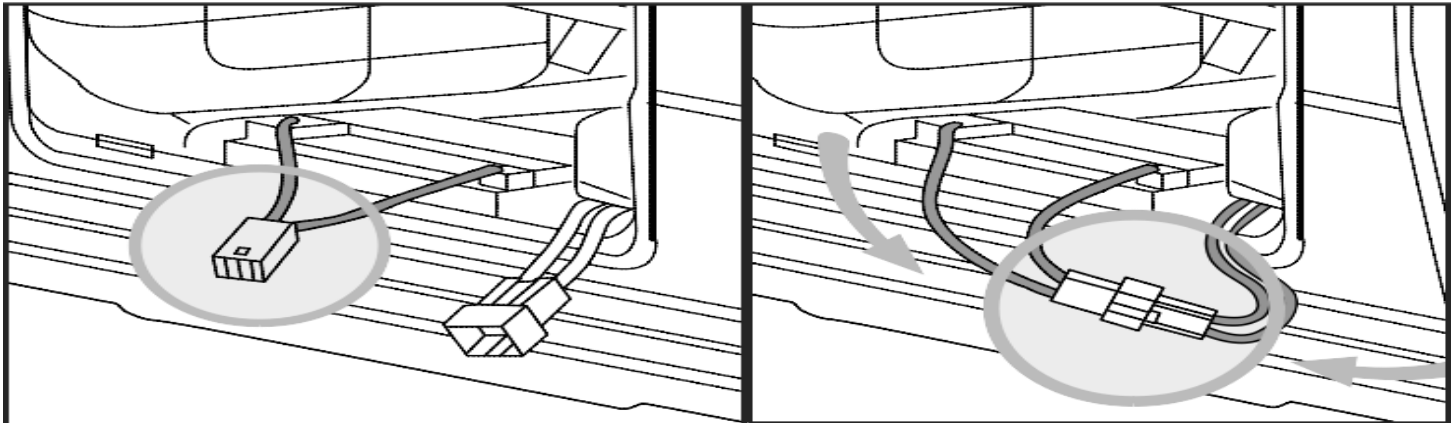
⚠ Warning!

Toujours charger dans un endroit bien aéré et à l'abri des flammes puisque les batteries produisent des gaz inflammables en cours de charge.

Les batteries contiennent du vitriol (électrolyte) ce qui peut brûler la peau et les yeux s'il vous touche, veuillez porter des vêtements et des lunettes de sécurité. En cas d'éclaboussures d'électrolytes sur la peau, utiliser de l'eau propre pour se laver tout de suite.

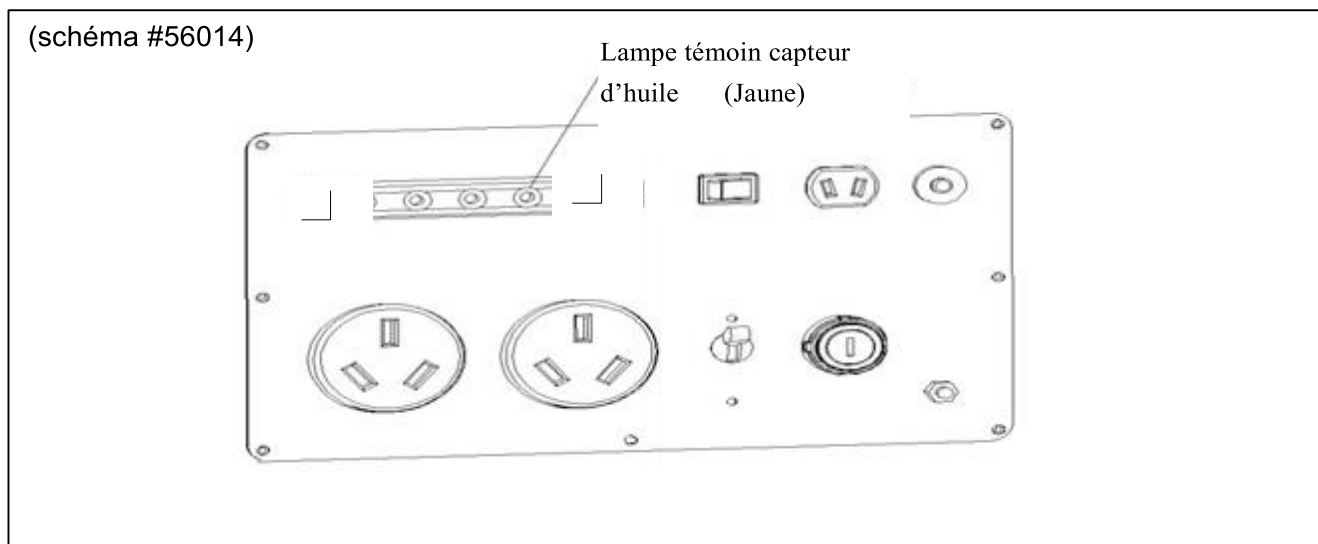
En cas d'éclaboussures d'électrolytes dans les yeux, plonger dans l'eau propre, laver pendant 15 minutes et consulter immédiatement un médecin.

Si des électrolytes sont avalés par mégarde, boire une dose massive d'eau ou de lait tout de suite, puis consommer un peu de lait de magnésie ou d'huile de légumes, consulter immédiatement un médecin.



2. Système d'alerte d'huile basse (schéma#56014)

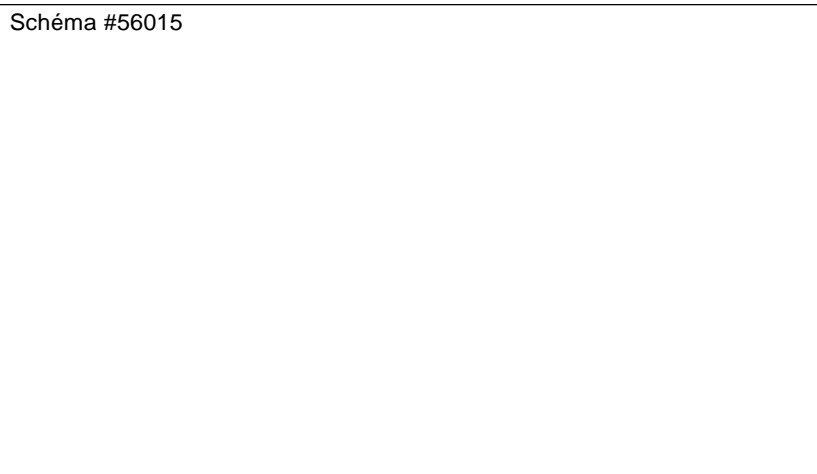
Le système d'alerte d'huile est conçu pour éviter d'endommager le moteur à cause d'un niveau insuffisant d'huile dans le carter. Le système d'alerte d'huile arrêtera le moteur automatiquement avant que le niveau d'huile dans le carter passe en dessous des niveaux de fonctionnement de sécurité (le commutateur d'allumage restera allumer, ÉTEINDRE)



Arrêt d'urgence:

- Tourner la clé à la position d'arrêt
- Fermer le robinet à essence (schéma 56 016)

Schéma #56015





⚠ WARNING

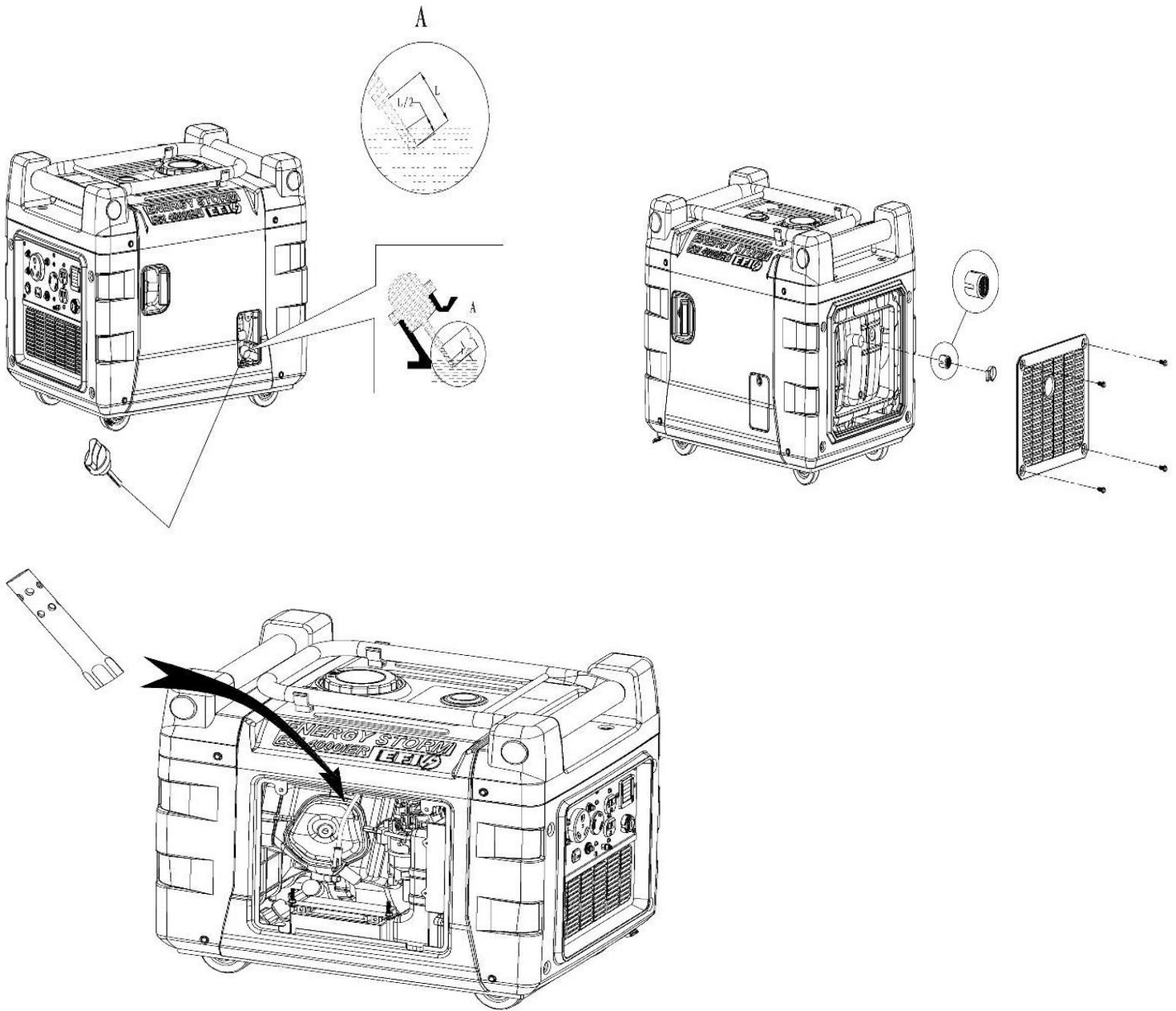
- Arrêter le moteur avant de faire l'entretien. Si la performance du service nécessite que le générateur fonctionne, VOUS ASSURER de faire fonctionner le générateur dans un environnement bien aéré. L'échappement contient du gaz toxique - monoxyde de carbone, qui peut entraîner la mort.
- Toujours utiliser des pièces d'origine Energy Storm ou des pièces de qualité égale pour les réparations et l'entretien, les pièces de rechange peuvent endommager l'appareil et annuler la garantie.

⚠ NOTE

Calendrier d'entretien

Période de service régulier exécuté chaque mois ou intervalle d'heure d'exploitation indiqué selon la première éventualité.		Chaque fois qu'on l'utilise	Chaque mois ou chaque 20 heures	Chaque 3 mois ou chaque 50 heure	Chaque 6 mois ou chaque 100 heure	Chaque année ou chaque 300 heure
Huile de moteur	vérifier	○				
	remplacer		○		○	
Filtre à air	vérifier	○				
	nettoyer			○		
Bougie	Nettoyer -ajuster				○	
Pare-étincelles	Nettoyer				○	
Jeu de soupape	Vérifier-ajuster					○
Réservoir d'essence et filtre à air	Nettoyer					○
Conduite de carburant	Vérifier	Tous les deux ans (changer si nécessaire)				

La capacité du réservoir: Varie selon le modèle. Voir l'autocollant des spécifications sur le générateur

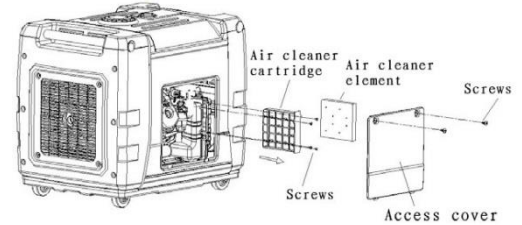


⚠ Warning

- L'utilisation d'essence ou de solvant inflammable pour nettoyer le filtre à air peut provoquer un incendie ou une explosion. Utiliser seulement de l'eau savonneuse ou un solvant ininflammable.

Vérifier l'élément du filtre à air; maintenir l'élément libre et exempt de saleté.

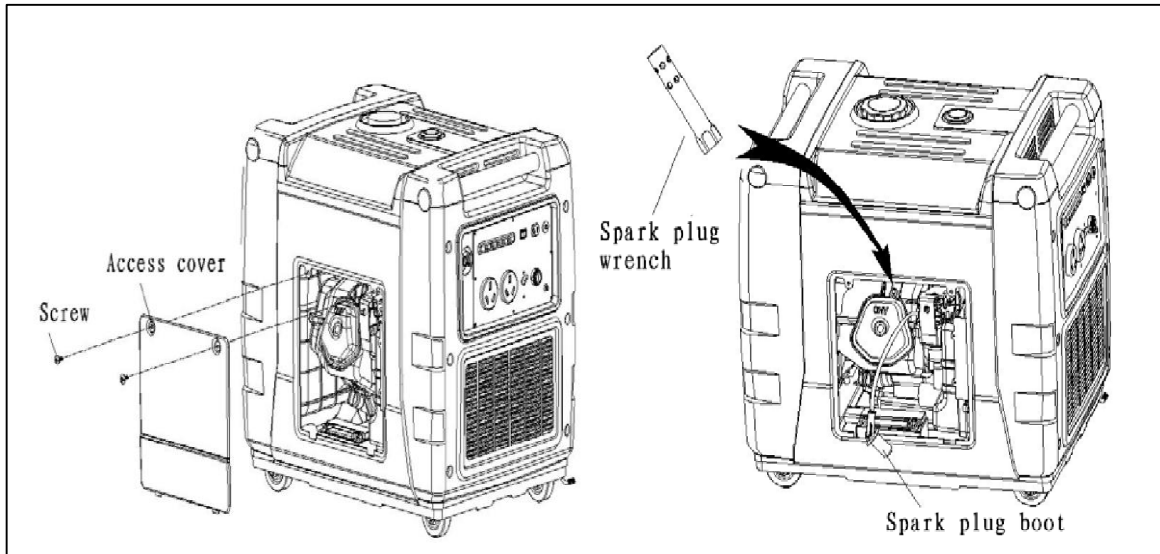
- Enlever les vis du couvercle d'accès gauche, enlever le couvercle.
- Enlever les trois vis sur le boîtier du filtre à air.
- Retirer la cartouche du filtre à air en suivant la pointe de la flèche.
- Vérifier l'élément du filtre à air, nettoyer ou changer avec un nouveau si nécessaire

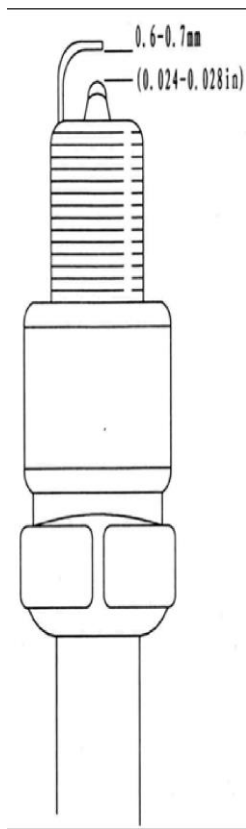


L'entretien des bougies

Veillez utiliser une bougie d'une marque de haute qualité (par exemple, Champion, AC, etc.). Pour assurer le bon fonctionnement du moteur, la bougie doit être bien réglée et sans calamine.

1. Enlever les vis sur le couvercle d'entretien supérieur.
 2. Nettoyer toute saleté autour de la base de la bougie
- Utiliser la clé à bougie fournie pour retirer la bougie





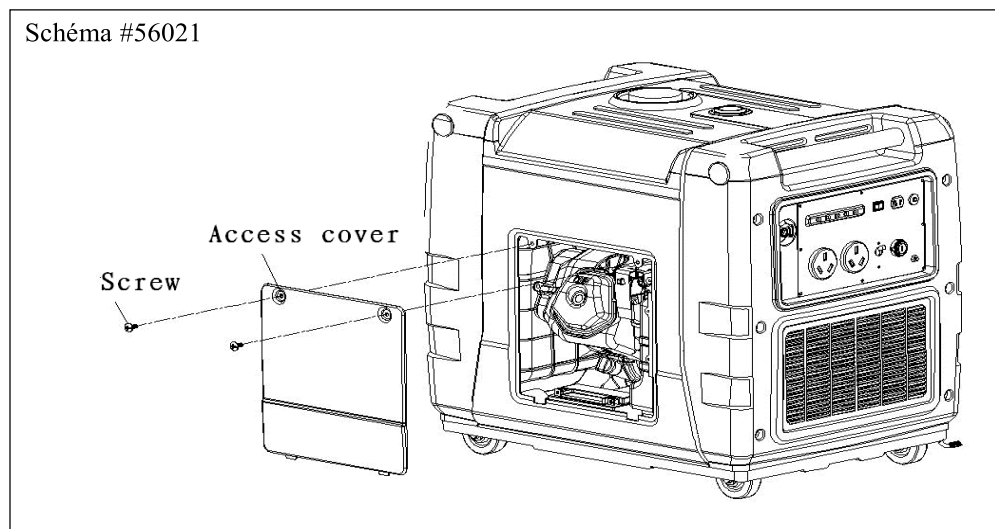
1. Inspecter la bougie visuellement. La jeter si l'isolant est fissuré ou ébréché.
2. Veuillez utiliser une jauge à bougie pour vérifier l'écartement de la bougie, il devrait être de 0,6 à 0,7 mm (0,024-0.028 pouce)
3. Vérifier que la rondelle d'étanchéité de la bougie est en bon état, et introduire la bougie à la main pour éviter d'arracher les filets.
4. Lorsque la bougie est installée, serrer avec une clé à bougie pour comprimer la rondelle. Si vous installez une bougie neuve, serrer 1/2 tour après que la bougie soit en place pour comprimer la rondelle. En cas de réinstallation d'une bougie utilisée, serrer de 1/8-1/4 de tour après que la bougie soit en place pour comprimer la rondelle.
5. Bien réinstaller le capuchon de bougie sur la bougie.
6. Réinstaller le couvercle d'entretien de la bougie.

La bougie doit être fermement assemblée, ou elle deviendra chaude et pourrait endommager le générateur.

Une bougie mal serrée peut se surchauffer et endommager le moteur.

Enlever les vis du couvercle d'accès gauche, enlever le couvercle

Schéma #56021



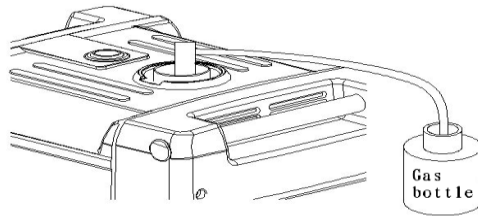
A vant d'entreposer le générateur.

- 1 S'assurer que l'endroit où est entreposé le générateur est propre et sec.
- 2 Faire marcher le moteur avec le robinet de carburant en position d'arrêt jusqu'à ce que le moteur s'arrête de fonctionner, puis vider le carburant du réservoir d'essence.

⚠ warning!

Le gaz peut devenir extrêmement incendiaire et explosif dans certaines conditions. Ne pas entreposer où il peut y avoir du feu, quelqu'un qui fume ou d'autres utilisations inflammables peuvent se produire.

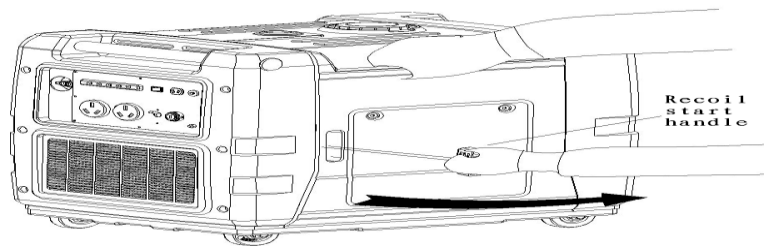
Schéma #56023



3. Changer l'huile du moteur selon les instructions dans section 11.1.
4. Enlever la bougie et remplir le cylindre avec 0,5 once d'huile fraîche, tirer sur la corde de rappel (si équipé) pour disperser l'excès d'huile, réassembler la bougie.
5. Tirer sur la corde de démarrage doucement jusqu'à ce que vous sentiez une certaine pression, à ce moment le piston se déplace vers le haut, les vannes sont fermées, et le générateur est en bon état pour être entreposé. L'huile dans le cylindre devrait prévenir la rouille et les contaminants.

SI LE MOTEUR N'EST PAS ÉQUIPÉ D'UN LANCEUR MOTEUR, VOUS DEVEZ TOURNER LE VOLANT À L'AIDE DE

QUALIFI Schéma





Spécifications

Taille et poids

Item	ESI-4000iER-EFI-CA	ESI-7000iER-EFI-CA
L x P x H	25,5 po x 20 po x 22,25 po	29,5 po x 21,65 po x 31,5 po
Poids net	132 livres	144 livres

Moteur

TYPE	177F	188F
Spécification du moteur	4-temps, soupape en tête, monocylindre	4-temps, soupape en tête, monocylindre
Déplacement	229CC	406CC
Taux de compression	8,5-1	8-1
Vitesse du moteur	Variable	Variable
Système de refroidissement	Air	Air
Système d'allumage	TEI	TEI
Capacité d'huile	32 onces	32onces.
Capacité du réservoir d'essence	3,5 gallons	4 gallons
Bougie	NGK	NGK
Classement du son	57db	59db

Générateur

TYPE	Article	ESI-4000iER-EFI-CA	ESI-7000iER-EFI-CA	ES
Sortie du c.a.	Tension nominale(V)	120	120	
	Fréquence nominale (HZ)	60	60	
	Courant nominal(A)	26	45	
	Sortie nominale(KVA)	3000	5000	
	Sortie maximale(KVA)	3300	5500	
Sortie du c.c.	12V/8,3A	12V@8,3A	12V@8,3A	




POLITIQUE DE GARANTIE LIMITÉE

ÉQUIPEMENT ÉNERGÉTIQUE D'ENERGY STORM

DURÉE DE LA GARANTIE

PRODUITS COUVERTS	Usage résidentiel**			Commercial/Location***
	1 ^{ère} année	2 ^{ième} année	3 rd année	La garantie ne dépasse pas 300 heures. Ou termes énumérés ci-dessous.
Tondeuses que l'on pousse	Unité pleine pièces et travail	Unité pleine seulement les pièces	Moteur: seulement les pièces	Unité pleine : 3 mois de pièces et travail
Pompes à eau	Unité pleine pièces et travail	Unité pleine seulement les pièces	Moteur: seulement les pièces	Unité pleine : 12 mois de pièces et travail
Générateurs/Générateurs onduleurs	Unité pleine pièces et travail	Unité pleine seulement les pièces	Moteur: seulement les pièces	Unité pleine : 12 mois de pièces et travail
Moteurs de laveuse à pression	Unité pleine pièces et travail	Unité pleine seulement les pièces	Moteur: seulement les pièces	Unité pleine : 12 mois de pièces et travail
Pompes de laveuse à pression*	Unité pleine pièces et travail	Sans objet	Sans objet	Unité pleine : 12 mois de pièces et travail
Moteurs à essence	Unité pleine pièces et travail	Unité pleine seulement les pièces	Moteur: seulement les pièces	Unité pleine : 12 mois de pièces et travail
Soudeurs à essence	Unité pleine pièces et travail	Unité pleine seulement les pièces	Moteur: seulement les pièces	Unité pleine : 6 mois de pièces et travail

*Toute laveuse à pression Lifan Pressure Pro™ et Storm Series Pressure Storm™ est équipée d'une pompe à eau haute pression  - Elles sont couvertes par

la garantie limitée d'un an du fabricant. Aller à www.lifanpowerusa.com for details.

** L'usage résidentiel est défini comme des articles qui sont pour un usage personnel.

*** L'usage commercial/pour location est défini comme toute utilisation produisant un revenu ou autres utilisations à des fins d'entreprise.

Afin de se qualifier pour la garantie limitée, le/les produit(s) doivent être achetés en Amérique du Nord chez un revendeur agréé d'EquipSource ou un revendeur agréé par EquipSource de vendre des produits Lifan. Cette garantie n'est pas transférable et s'applique uniquement à l'acheteur original. La "carte d'enregistrement de la garantie" fournie doit être remplie et déposée auprès d'EquipSource, LLC (à l'adresse fournie), au moment où toute réclamation est faite. La "carte d'enregistrement de la garantie" doit être accompagnée d'une preuve d'achat indiquant clairement la date d'achat.



Au cours de la période de garantie (indiqué ci-dessus) EquipSource, LLC réparera ou remplacera, à sa discrétion, toute pièce qui s'avère être un défaut de matière ou de fabrication en utilisation normale. La réparation et/ou les remplacements seront effectués sans frais pour les pièces ou le travail. Toute pièce défectueuse doit être retournée à EquipSource. Lors de la réception de la pièce, un jugement quant à la validité de la demande de garantie sera déterminé. Toutes les pièces remplacées sous garantie seront considérées comme faisant partie du produit d'origine et toute garantie sur ces pièces coïncidera avec la garantie originale.

Pour bénéficier de cette garantie, vous devez amener le produit, à vos frais, à un centre de service autorisé de produits Lifan Power ou Storm Series Power. Si vous n'arrivez pas à trouver un service de garantie ou vous êtes insatisfaits du service de garantie que vous recevez, veuillez communiquer avec EquipSource, LLC au 866-471-7464. À la discrétion de EquipSource; EquipSource peut choisir de remplacer un appareil défectueux. Dans ce cas, l'utilisateur final est responsable de tous les frais d'expédition et de manutention liés à l'échange.

Cette garantie n'est pas valable pour des produits ou des pièces touchés ou endommagés par un accident, une collision, l'usure normale, la contamination du carburant, l'abus, la négligence, une mauvaise utilisation, une altération et/ou une utilisation inappropriée ou de pièces de rechange non autorisée. Les plateaux de coupe et les lames des tondeuses ne sont spécifiquement pas garantis contre l'impact ou les dommages par abrasion. La garantie devient nulle si le client n'arrive pas à installer, entretenir et/ou utiliser le produit en conformité avec les instructions et les mesures recommandées de Lifan énoncées dans le manuel du propriétaire. EquipSource, LLC décline toute responsabilité pour les pertes de temps ou perte d'usage du produit, le transport, les pertes commerciales, ou tout autre dommage accidentel ou consécutif. Avant toute intervention sous garantie, un code d'autorisation doit être délivré au centre de service afin que la demande de garantie soit valide. Toutes les garanties implicites sont limitées à la durée de cette garantie limitée écrite. Cette garantie vous donne des droits légaux spécifiques, et vous pouvez également avoir d'autres droits qui peuvent varier d'un état à l'autre.

Cette garantie exclut expressément l'utilisation de tout équipement Lifan Power ou de l'équipement électrique de la série Storm dans le but d'alimenter des appareils de réanimation, des unités de réanimation, des dispositifs médicaux, et/ou des appareils médicaux. EquipSource, LLC ne sera pas tenu pour responsable de tout dommage lié à l'utilisation de tout équipement électrique Lifan ou de série Storm à ces fins.

Exclusions à la garantie:

- Ne pas exécuter l'«Entretien périodique» tel que requis et précisés dans le «Manuel du propriétaire» fourni.

- Une mauvaise réparation du produit ou le remplacement de pièces avec des pièces qui ne sont pas de l'équipementier.
 - Fonctionnement d'utilisations et de méthodes autres que celles décrites dans le «Manuel du propriétaire.»
 - Entretien et/ou réparations effectués par une personne autre qu'un « centre de service autorisé des produits Lifan ou de la série Storm.»



SPANISH ENERGY STORMTM

Generador de inversor

Manual del usuario

Modelo N°.

ESI-4000iER-EFI-CA

ESI-7000ler-EFI-CA

ESI ESI4000iER-EFI-CA



ESI ESI7000iER-EFI-CA




ASUNTOS DE SEGURIDAD



Este es un símbolo de alerta de seguridad. Se usa para alertarlo sobre posibles peligros de lesiones personales. Respete los mensajes de seguridad que acompañan a este símbolo para evitar posibles lesiones o la muerte.



Lea este manual con cuidado para su seguridad. Familiarícese con el funcionamiento, cuidado y mantenimiento apropiado de su generador Energy Storm.

El símbolo de seguridad y al  se utiliza con una palabra de indicación (**PRECAUCIÓN, PELIGRO, ADVERTENCIA**), un mensaje gráfica y/o mensajes de seguridad para alertar sobre los peligros. **PRECAUCIÓN** indica un riesgo que, de no evitarse, puede causar lesiones leves o moderadas. **PELIGRO** indica un riesgo que, de no evitarse, causará la muerte o lesiones graves. **ADVERTENCIA** indica un riesgo que, de no evitarse, podrá causar la muerte o lesiones graves.

ADVERTENCIA

Quando el generador funciona emite monóxido de carbono: un gas inodoro, incoloro y tóxico.

¡Respirar monóxido de carbono puede provocar náuseas o la muerte!

Haga funcionar el generador en el exterior SOLAMENTE.

Se debe impedir que el gas de escape entre a zonas confinadas.







Dirija los gases de escape lejos de ventanas, puertas, ventilaciones y otras aberturas.

No utilice el generador en el interior o debajo de ningún edificio.

¡El funcionamiento de este generador en el interior del compartimento de un vehículo recreativo probablemente provocará la muerte!



Símbolos de peligro y su significado

					
Explosión	Incendio	Descarga	Vapores	Superficie caliente	caliente

⚠ ADVERTENCIA

¡El generador produce un voltaje muy potente!

Sólo un electricista con licencia puede conectar el generador de forma segura a las conexiones de los servicios públicos existentes. Si no se aísla el generador de la red eléctrica puede ocasionar la muerte a los trabajadores de servicios públicos, así como los demás.

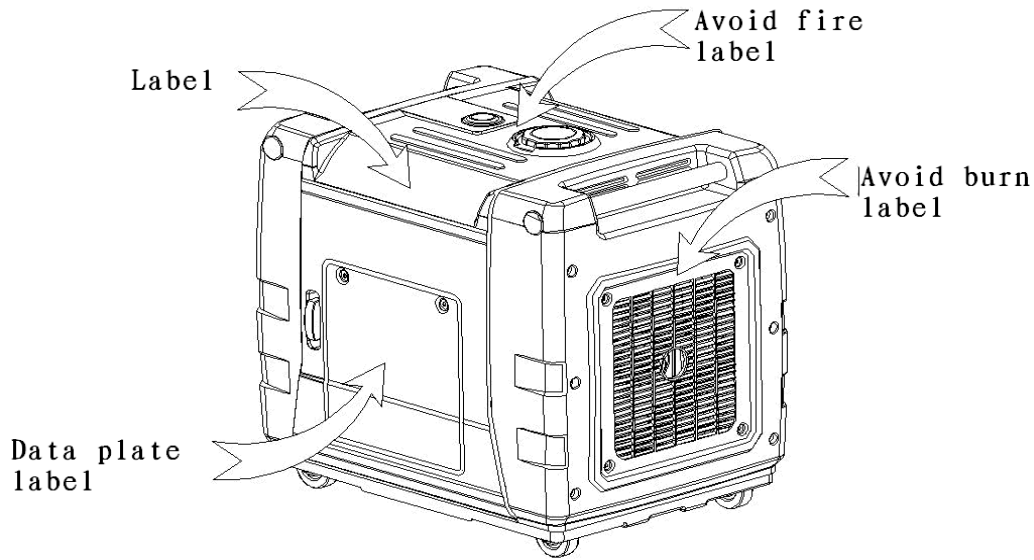


- Cuando use un generador como energía de reserva, notifique a la compañía de servicios públicos. Utilice un equipo de transferencia aprobado para aislar el generador de la empresa eléctrica.
- No utilice el generador expuesto a lluvia u otras condiciones de humedad.
- No manipule el generador en contacto con el agua.
- No toque los cables pelados o los receptáculos descubiertos.
- Inspeccione todos los cables eléctricos para ver si están dañados y deje de utilizar cualquier cable dañado o desgastado en exceso.
- No permita que personas descalificadas utilicen o hagan el servicio del generador.

- No toque las superficies calientes y evite los gases de escape.
- Deje que el generador se enfríe antes de tocarlo.
- Mantenga un espacio de 6 pie (183 cm) en todos los lados del generador incluyendo por encima.
- El calor del escape reflectivo puede dañar el tanque de combustible y provocar un incendio.
- El Código de Regulaciones Federales (CFR) Título 36 Parques, bosques y propiedad pública exige que los equipos alimentados por un motor de combustión interna tengan una placa protectora contra chispas, en buen estado, que cumpla con la norma de servicio de bosques de USDA 5100-1c o una revisión posterior. En el estado de California se exige una placa protectora contra chispas según la sección 4442 del código de recursos públicos de California.

Ubicaciones de las etiquetas de seguridad

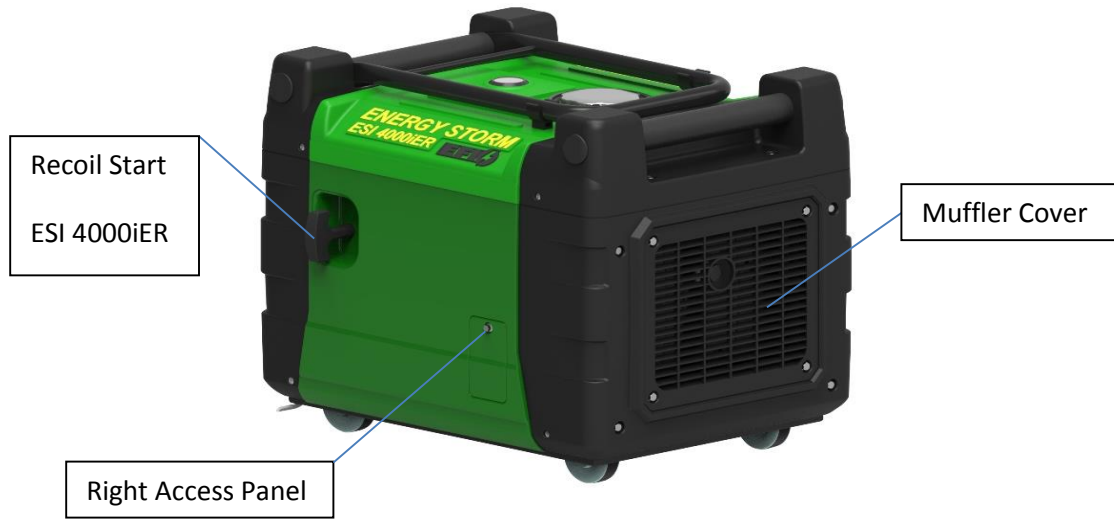
Estas etiquetas advierten sobre posibles riesgos que pueden causar lesiones graves



Identificación de los componentes

Model - ESI 4000iER-EFI-CA

Fuel Level Meter



Model - ESI 7000iER-EFI-CA

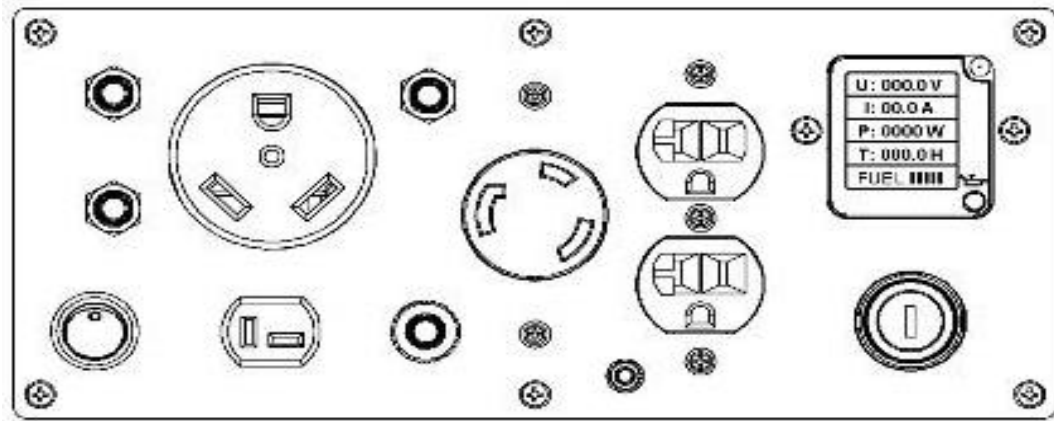




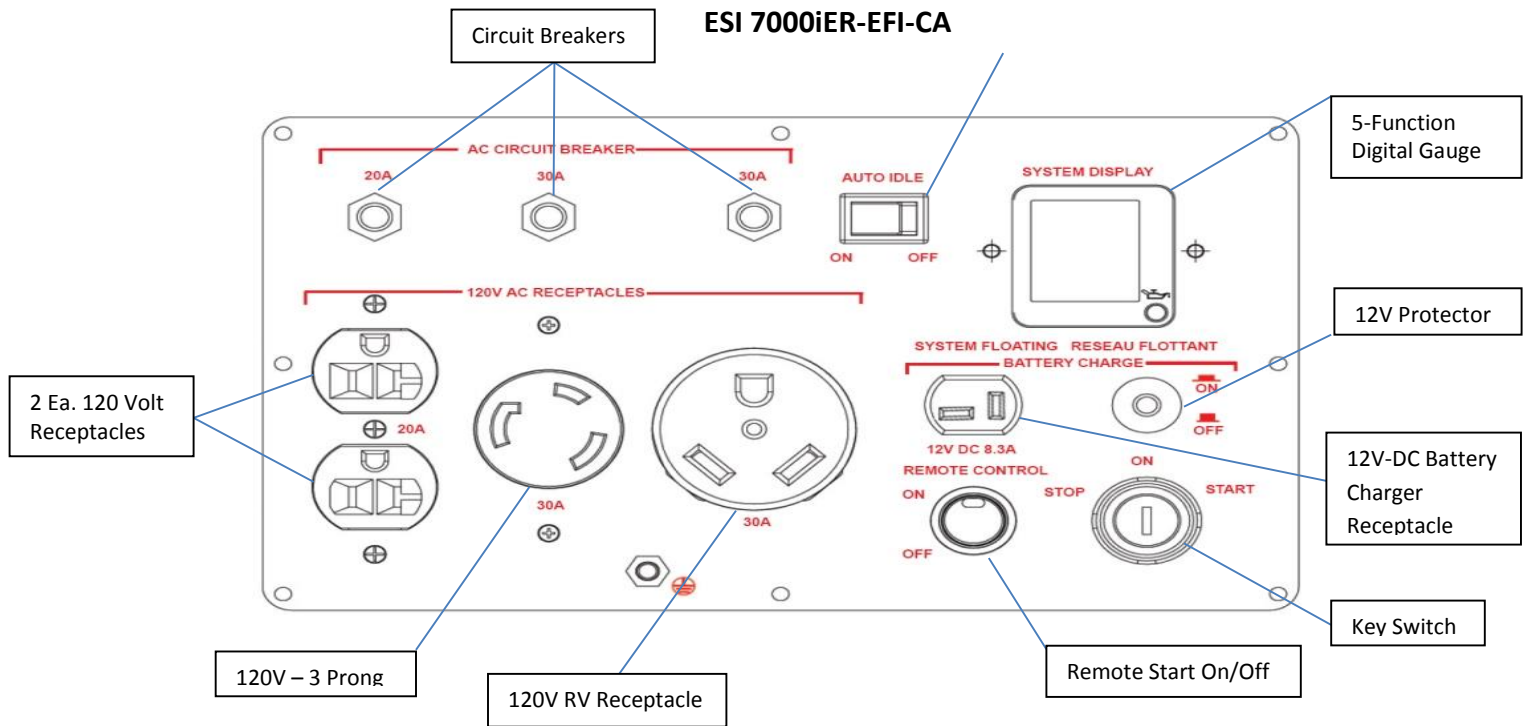
Controls and Features

Read this Owner's Manual completely and carefully before Operating Generator

ESI 4000iER-EFI-CA

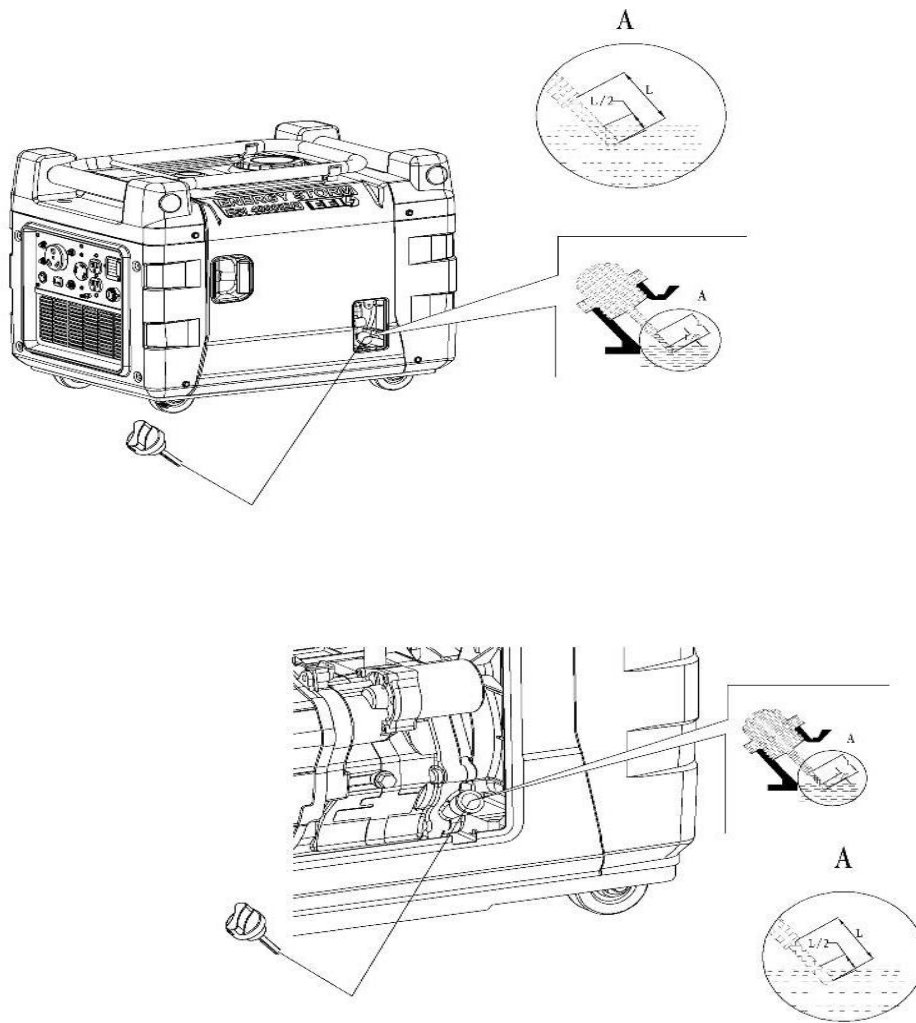


ESI 7000iER-EFI-CA



Llenado de aceite del motor

- Quite la cubierta de acceso de la derecha (consulte el diagrama #56004). Desenrosque la varilla de aceite, límpiela con un paño limpio, luego inserte la varilla en el tanque de aceite y revise el nivel del aceite. Si el nivel de aceite es bajo o inferior al recomendado, llene con el aceite recomendado, utilizando la botella de llenado de aceite (incluida en el paquete de herramientas).





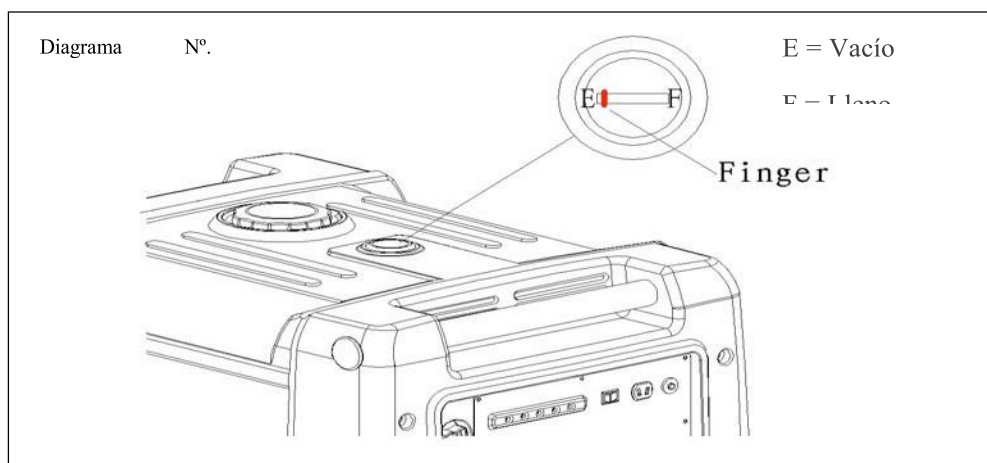
● No fume ni permita que haya llamas o chispas cuando abastezca el generador o cuando guarde la gasolina. Llene el tanque en un área bien ventilada y con el motor parado.

● No llene demasiado el tanque de combustible. Ajuste la tapa del combustible después de agregar el combustible.

● Tenga cuidado y evite derrames de gasolina cuando cargue el combustible, los vertidos del combustible o el humo del gas puede prenderse fuego. En el caso de derrame de cualquier combustible, asegúrese de que todo el combustible se haya evaporado o se haya limpiado antes de arrancar el motor.

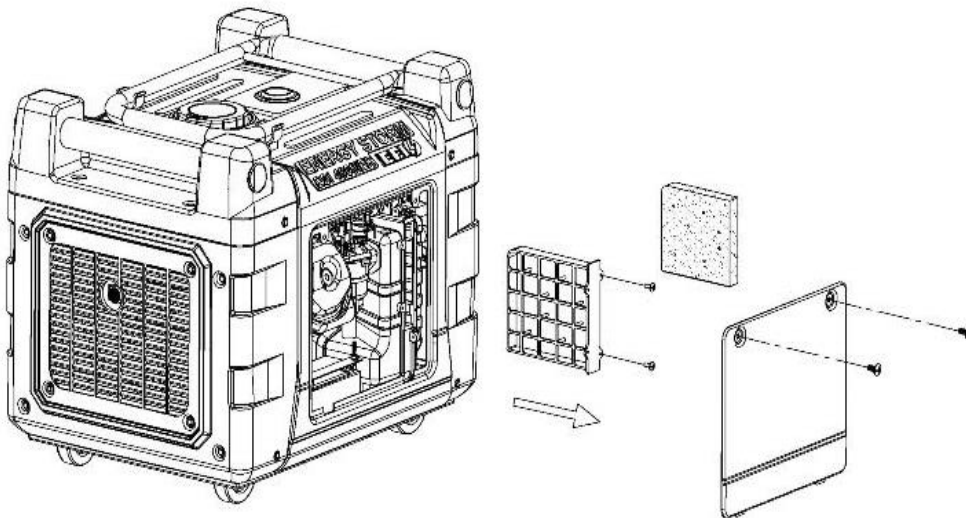
● Evite el contacto con el combustible o respirar los humos del gas. Siempre lávese las manos o las áreas expuestas al combustible.

Revise el nivel de gasolina en el medidor (Diagrama 56006) antes de arrancar el generador. Llene el tanque de gasolina a niveles adecuados con gasolina de 87 octanos. Siempre llene con gasolina fresca y limpia. No permita que entre suciedad o agua al tanque de combustible. Ajuste la tapa del tanque de combustible después de agregar el combustible.



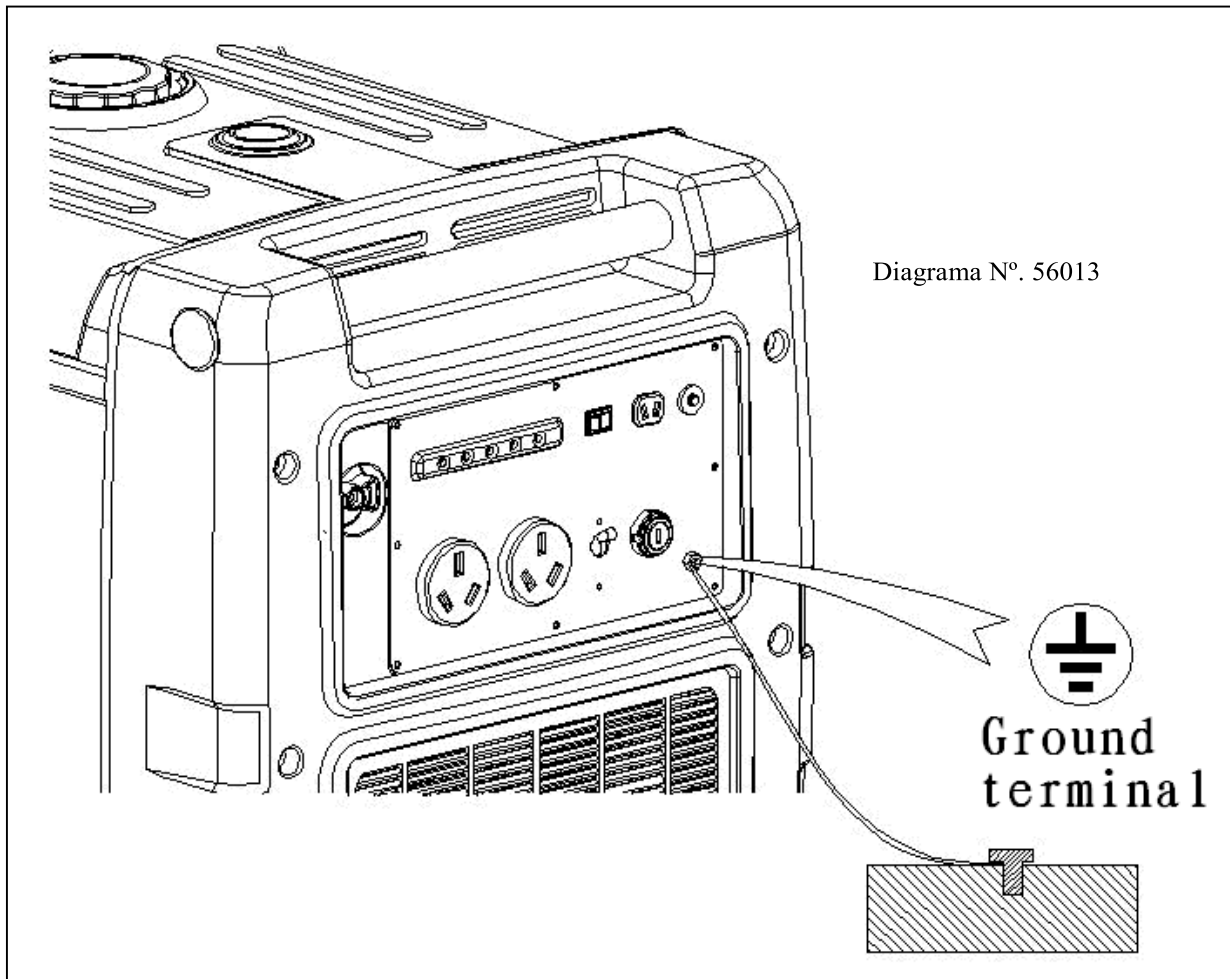
Revise el filtro de aire

1. Saque los tornillos de la cubierta de acceso izquierda y ábrala.
2. Retire los tres tornillos de la caja del filtro de aire.
3. Saque el cartucho de filtro de aire siguiendo la dirección de la punta de flecha.
4. Revise el filtro de aire, limpie o cambie por uno nuevo si es necesario.
5. Vuelva a colocar el filtro de aire, la cubierta del filtro de aire y la cubierta de acceso.

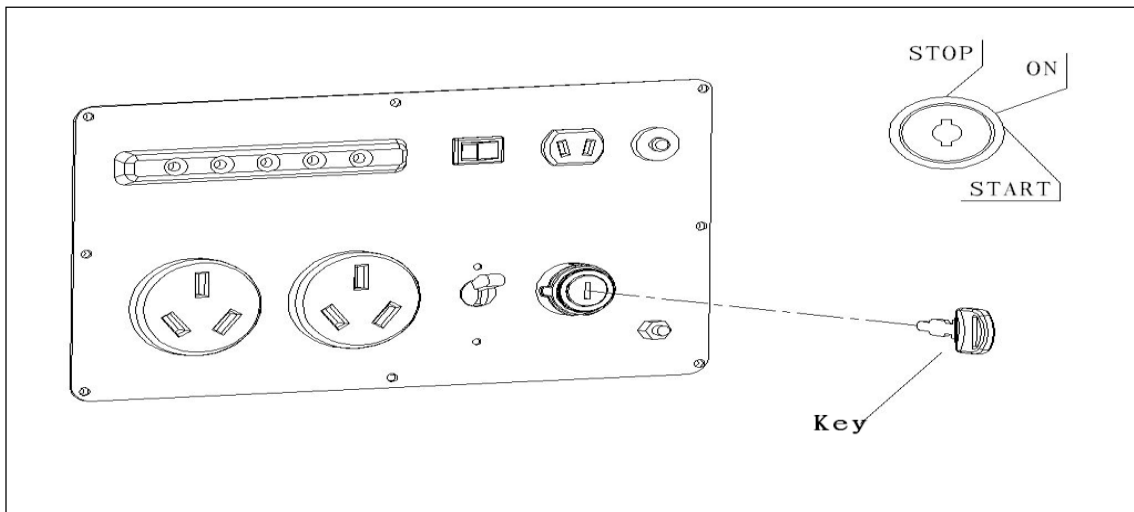


Conexión a tierra del generador

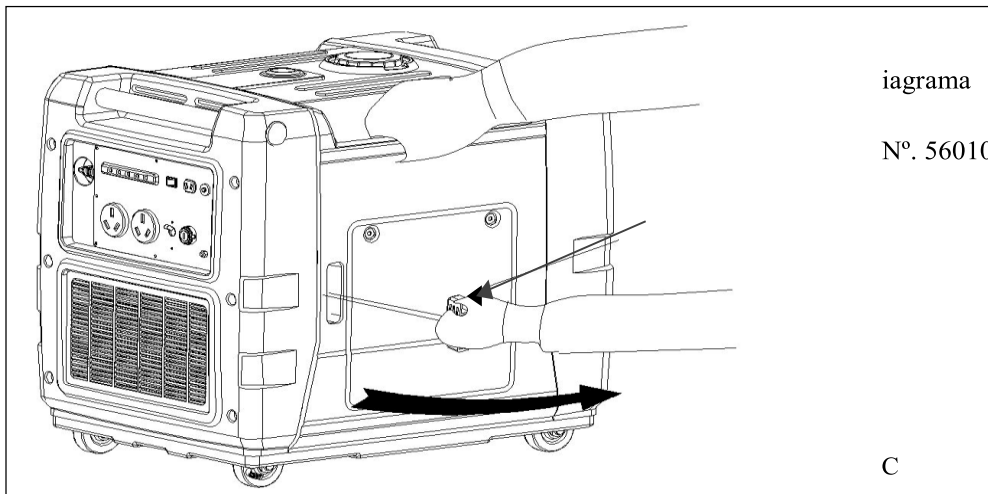
Con un cable de cobre eléctrico de un diámetro mínimo de calibre 16, conecte el terminal de tierra en el generador a una fuente aceptable de conexión eléctrica a tierra, como una estaca de cobre de puesta a tierra.



A. Coloque la llave en el interruptor de encendido y gírela a la posición de ENCENDIDO.



Arranque de retroceso (sólo para modelos con arranque eléctrico/retroceso)





Funcionamiento en áreas de gran altitud

A grandes altitudes, la mezcla de combustible/ aire del carburador estándar será demasiado rica. Se reducirá el rendimiento y aumentará el consumo de combustible. El rendimiento a grandes altitudes puede mejorar mediante modificaciones específicas en el carburador. Si siempre utiliza el generador a una altitud superior a 5.000 pies (1.500 metros), por favor, consulte con su Centro de Servicio Autorizado EnergyStorm para configurar adecuadamente el carburador para las grandes altitudes. Incluso con modificaciones en el carburador, la potencia del motor se reducirá aproximadamente a 3,5% por cada incremento de 1,000 pies de altura. El efecto de la altitud sobre los caballos de fuerza será mayor si no se modifica el carburador.

BE CAREFUL

Cuando el carburador se ha modificado para funcionar a gran altitud, esta modificación en el carburador puede causar el sobrecalentamiento del motor y causar daños graves en el motor.

NOTE



3. Aplicaciones

Warning!

Las conexiones para la energía de reserva al sistema eléctrico de un edificio se deben realizar por un electricista calificado. La conexión debe aislar la alimentación del generador de la energía de la red y debe cumplir con todas las leyes y códigos eléctricos aplicables. Las conexiones incorrectas al sistema eléctrico de un edificio puede permitir que la corriente eléctrica del generador retroalimente las líneas de los servicios públicos. Esta retroalimentación puede causar lesiones o puede electrocutar a los trabajadores de la empresa de servicios públicos u otras personas en contacto con las líneas durante un corte de energía, y el generador podría explotar, quemarse o provocar un incendio cuando se restablezca la energía.

A fin de evitar recibir una descarga eléctrica, siempre conecte a tierra el generador desde el terminal de puesta tierra para que esté conectado a tierra de

Cómo usar el generador

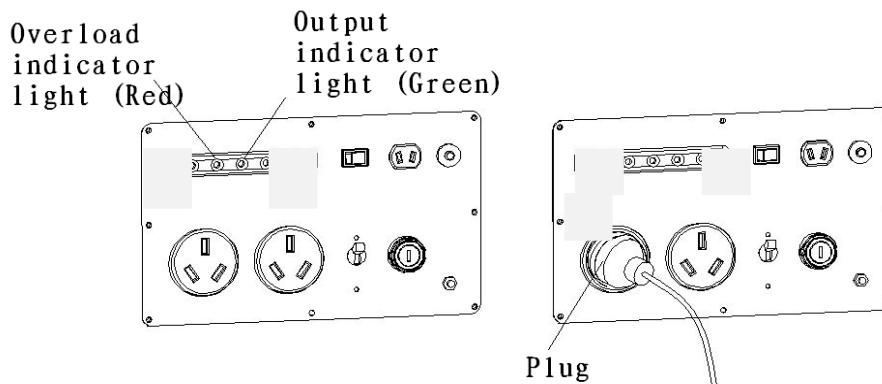
Be careful

- Cuando el generador funciona constantemente, no sobrecargue su capacidad de potencia nominal. Considere la potencia total para todos los equipos y aparatos que se alimentan.
 - NO sobrecargue su intensidad nominal.
 - NO conecte el generador al circuito del panel doméstico, ya que puede dañar el generador o el equipo eléctrico doméstico. NO utilice el generador para otro propósito que no sea el previsto y cumpla con las siguientes reglas:
5. NO conecte en paralelo este generador modelo. Los generadores no se pueden combinar con otros cables eléctricos o cables de alargue o múltiples zócalos de tomacorrientes.
 6. NO alargue el tubo de escape o de ventilación con ninguna extensión.
 7. Use cables de alargue tipo SJ o SJO si necesita una longitud adicional del cable del aparato.
 8. Límite de longitud de alargue: cable de calibre 16 de 200 pies como máximo; cable de calibre 10 de 330 pies como máximo.

Cómo utilizar la energía CA

1. Arranque el motor sin elementos de alimentación eléctrica conectados al generador.
2. Después de que arranque la unidad y se ilumine la luz verde del indicador de salida (ver diagrama N° 56011) puede saber cómo conectar y utilizar los dispositivos de accionamiento eléctrico.

Diagrama N°. 56011



Be careful

Cuando se produce una sobrecarga sustancial, se encenderá la luz roja del indicador de sobrecarga y se dañará el generador. La sobrecarga marginal que temporalmente ilumina la luz (roja) del indicador de sobrecarga puede acortar la vida útil del generador. Si un aparato comienza a funcionar de forma anormal, se vuelve lento o se detiene de repente, apáguelo de inmediato. Desconecte el aparato y determine si el problema es el aparato, o si la capacidad de carga nominal del generador se ha superado.

Indicador de salida y de sobrecarga

En condiciones normales, el indicador de salida (luz verde) permanecerá encendido. Si el generador está sobrecargado o si hay un



cortocircuito en un aparato conectado, la luz (roja) del indicador de sobrecarga se iluminará. Luego, después de unos cuatro segundos, se apagará la corriente al aparato(s) conectado(s) y la luz (verde) del indicador de salida se apagará.

be careful

Si la luz roja de sobrecarga y la luz verde de salida se activan al mismo tiempo después de arrancar el motor y la luz roja del indicador de sobrecarga permanece encendida después de que se apaga la luz verde del indicador de salida, apague el generador y consulte en el centro de servicios autorizado más cercano o a EquipSource, LLC. @ 866-471-7464.

A. Arranque del motor (consulte la sección 6 para obtener instrucciones)

B. Espere cinco segundos para que se encienda la luz verde.

Si la luz verde del indicador de salida está apagada, y la luz roja del indicador de sobrecarga está encendida, apague el motor con el interruptor de encendido, luego, siga los requisitos para arrancar y volver a poner en marcha el motor en la sección 6.

C. Asegúrese de que sus herramientas o aparatos se encuentren en la posición de apagado, luego enchúfeles.



⚠ Be careful

■ No arranque automóviles cuando los generadores están conectados a la batería o se usa la energía CC del generador para arrancar un automóvil, esto puede causar daños en el generador.

■ Siempre asegúrese de hacer coincidir los cables positivos y negativos del cable de alimentación de CC con los polos positivos y negativos de las pilas.

⚠ Warning!

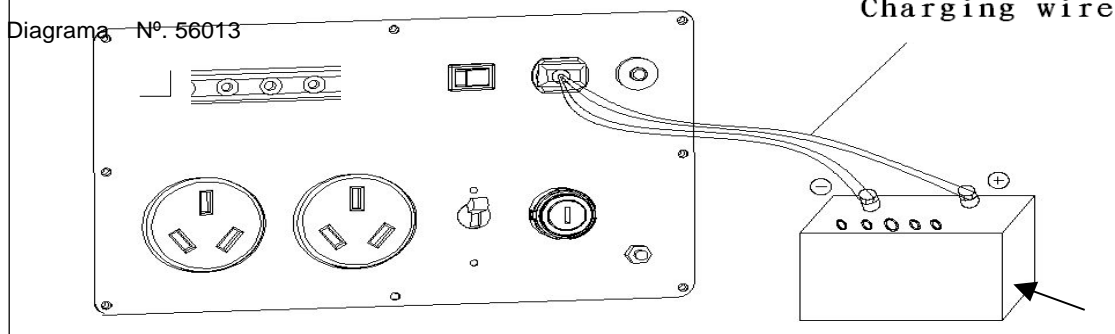
■ Siempre cargue en un área bien ventilada y manténgase alejado de las llamas ya que las baterías generan gases inflamables durante la carga.

Las baterías contienen vitriolo (electrolitos) que pueden causar quemaduras en la piel y en los ojos cuando se toca, use ropa y gafas de seguridad. En el caso de salpicaduras de electrolitos en la piel, use agua fresca para lavar inmediatamente.

■ En el caso de salpicaduras de electrolitos en los ojos, sumerja en agua fresca, lave durante 15 minutos y busque atención médica de inmediato.

Si se tragan electrolitos por accidente, tome una enorme cantidad de agua o leche inmediatamente, luego consuma un poco de leche de magnesia o aceite vegetal y busque atención médica de inmediato.

Diagrama N° 56013

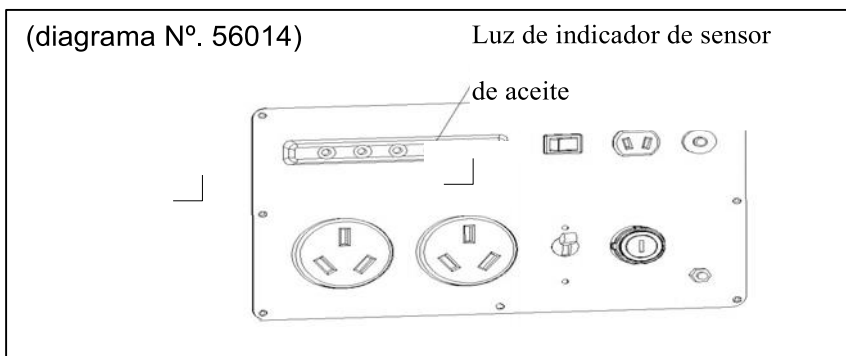




2. Sistema de alarma de baja cantidad de aceite (diagrama N°. 56014)

El sistema de alerta de aceite está diseñado para evitar daños en el motor por cantidad insuficiente de aceite en el cárter del motor, el sistema de alarma de aceite detendrá el

motor de forma automática antes de que el nivel de aceite en el cárter esté por debajo de los niveles de funcionamiento seguros (el interruptor de encendido permanecerá prendido, apáguelo)



MANTENIMIENTO

El buen mantenimiento es esencial para el funcionamiento seguro, económico y sin problemas. También ayuda a reducir la contaminación del aire.

 **WARNING**

- Pare el motor antes de hacer el servicio. Si es necesario que los generadores estén en marcha para hacer el servicio, ASEGÚRESE de que el generador funcione en un ambiente bien ventilado. El escape contiene un gas venenoso, el monóxido de carbono, que



puede causar la muerte.

Utilice siempre repuestos Energy Storm originales o repuestos de igual calidad para las reparaciones y el mantenimiento, los repuestos no originales pueden dañar la unidad e invalidar la garantía

Calendario de mantenimiento

Período de servicio regular realizado una vez en cada mes indicado o en los intervalos de horas de funcionamiento, lo que ocurra primero. Artículo		Cada vez que lo use	Todos los meses o cada 20 horas	Cada 3 meses o cada 50 horas	Cada 6 meses o cada 100 horas	Todos los años o cada 300 horas
aceite del motor	revisar	○				
	cambiar		○		○	
Filtro de aire	revisar	○				
	limpiar			○		
Bujía	Limpiar - ajustar				○	
placa protectora contra chispas	Limpiar				○	
Espacio de la válvula	Revisar - ajustar					○
Tanque de gasolina y filtro de aire	limpiar					○
línea de combustible	Cheque		Cada dos años (cambiar si es necesario)			

Nota: El calendario anterior es el programa de mantenimiento para las áreas de uso típico, haga el servicio con mayor frecuencia cuando se use en áreas polvorientas.

A. CAMBIO DE ACEITE DEL MOTOR

Drene el aceite usado cuando el motor esté caliente. El aceite caliente se drena con mayor rapidez y por completo.

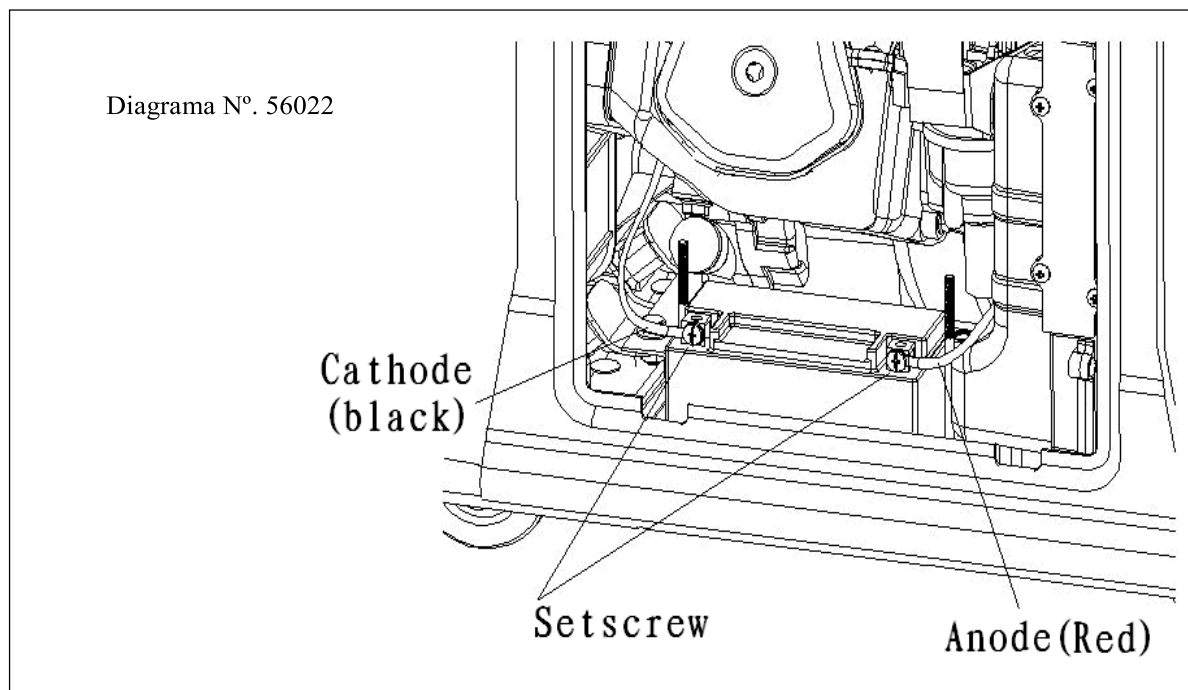
Be careful



- Gire el interruptor del motor y la palanca de ventilación a la posición de APAGADO para reducir la posibilidad de fugas de combustible.
 - ◆ Inserte el tubo de aceite en la boca de llenado del tanque de aceite (el tubo de aceite se proporciona en el kit de herramientas)
 - ◆ Incline el generador, drene el aceite por completo
 - ◆ Llène con el aceite recomendado (ver 4.1). Revise el nivel de aceite.
 - ◆ Agite el generador para asegurarse de que el flotador en el Sistema de alerta de aceite está libre después de llenar con aceite

Montaje y mantenimiento de la batería (sólo para modelos con arranque eléctrico)

- a. Saque los tornillos de la cubierta de acceso izquierda y retire la tapa.
- b. Coloque la batería en la bandeja de la batería, ponga la cubierta de la batería y apriete las tuercas de ajuste.
- c. Saque los tornillos de fijación y conecte el cable. El terminal rojo es ánodo (+) y el terminal negro es el cátodo





Cómo transportar y guardar

Para evitar la pérdida de gasolina durante el transporte y almacenamiento, cierre el interruptor de gasolina y el interruptor de la palanca de ventilación,

warning!

Al transportar el generador:

- No llene demasiado el tanque de gasolina (se recomienda 1/2 tanque o menos) No use el generador durante el transporte, siempre utilice en áreas bien ventiladas.

• Evite la luz solar directa durante el transporte, la temperatura alta puede causar la vaporización del gas y podría llegar a ser

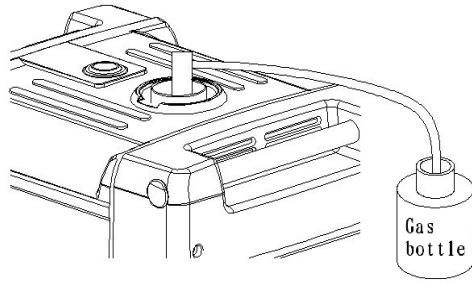
Antes de guardar el generador.

1. Asegúrese de que la ubicación donde se guarda el generador esté limpia y seca.
2. Haga funcionar el motor con la válvula de combustible en la posición de apagado hasta que el motor deje de funcionar. Luego vacíe el combustible del tanque de gasolina.

warning!

La gasolina puede llegar a ser extremadamente incendiaria y explosiva en algunas condiciones. No lo guarde donde se produzca fuego, humo o cualquier uso inflamable

Diagrama N°. 56023



Especificaciones

Tamaño y peso

Artículo	ESI-4000-EFI-CA	ESI-7000-EFI-CA	ES
Lo x An x Al	25,5" x 20" x 22,25"	29,5" x 21,65" x 31,5"	
Peso neto	132 lbs.	144 lbs.	

Motor

TIPO	177F	188F
Especificación del motor	4 tiempos, válvula en la culata, cilindro único	4 tiempos, válvula en la culata, cilindro
Desplazamiento	229CC	406CC
Relación de compresión	8.5-1	8-1
velocidad del motor	Variable	Variable
sistema de enfriamiento	Aire	Aire
Sistema de encendido	TEI	TEI
Capacidad de aceite	32 oz.	32oz.
Capacidad del tanque de combustible	3,5 Galones	4 Galones
Bujía	NGK	NGK
Clase de sonido	57db	59db




Generador

TIPO	Artículo	ESI-4000-EFI-CA	ESI-7000-EFI-CA
Salida de CA	voltaje nominal (V)	120	120
	Frecuencia nominal (Hz)	60	60
	Corriente nominal (A)	26	45
	Salida nominal (KVA)	3000	5000
	Salida máxima (KVA)	3300	5500
Salida de CC	12V/8.3A	12 V a 8,3 A	12 V a 8,3 A

POLÍTICA DE GARANTÍA LIMITADA

DURACIÓN DE LA GARANTÍA				
	Uso Residencial **			Comercial / Alquiler ***
PRODUCTOS CUBIERTOS	1° Año	2° Año	3° Año	La garantía no excede las 300 horas o los términos que figuran
Cortacésped manual	Partes de la unidad completa y de trabajo	Sólo partes de la unidad completa	Motor: sólo partes	Unidad completa: Partes de 3 meses y de trabajo
Bombas de agua	Partes de la unidad completa y de trabajo	Sólo partes de la unidad completa	Motor: sólo partes	Unidad completa: Partes de 12 meses y de trabajo
Generadores / Generadores de inversor	Partes de la unidad completa y de trabajo	Sólo partes de la unidad completa	Motor: sólo partes	Unidad completa: Partes de 12 meses y de trabajo
Motores de lavadoras a presión	Partes de la unidad completa y de trabajo	Sólo partes de la unidad completa	Motor: sólo partes	Unidad completa: Partes de 12 meses y de trabajo
Bombas de lavadoras a presión*	Partes de la unidad completa y de trabajo	NA	NA	Unidad completa: Partes de 12 meses y de trabajo
Motores a gasolina	Partes de la unidad completa y de trabajo	Sólo partes de la unidad completa	Motor: sólo partes	Unidad completa: Partes de 12 meses y de trabajo
Soldadoras a gasolina	Partes de la unidad completa y de trabajo	Sólo partes de la unidad completa	Motor: sólo partes	Unidad completa: Partes de 6 meses y de trabajo

*Todas las lavadoras a presión Lifan Pressure Pro™ y Storm Series Pressure Storm™ están equipadas con bombas de agua de alta presión [Annovi Reverberi](#)  Que están cubiertos por la garantía limitada de 1 año de los fabricantes. Visite www.lifanpowerusa.com para obtener más detalles.



** Uso Residencial se define como los elementos que son para uso personal.

*** Uso comercial/de alquiler se define como cualquier uso con fines de producción de ingresos u otros negocios relacionados.

Para calificar para la garantía limitada, el(los) producto(s) debe(n) ser comprado(s) en América del Norte de un distribuidor autorizado EquipSource o un distribuidor autorizado por EquipSource para vender los productos Lifan. Esta garantía no es transferible y se aplica solamente al comprador original. Se debe completar la "Tarjeta de registro de garantía" suministrada y estar en los archivos de EquipSource, LLC (en la dirección suministrada), en el momento de realizar cualquier reclamo. La "Tarjeta de registro de garantía" deberá presentarse con un recibo de compra que indique claramente la fecha de compra.

Durante el período de garantía (indicado anteriormente) Equipsource, LLC reparará o reemplazará, según su criterio, cualquier pieza que se haya demostrado que estaba defectuosa en material o mano de obra bajo uso normal. Las reparaciones y/o sustituciones se realizarán sin cargo por las piezas o la mano de obra. Todas las piezas que se encuentren defectuosas deben ser devueltas a EquipSource. Al recibir las piezas, se hará un juicio sobre la validez del reclamo de la garantía. Todas las piezas reemplazadas según la garantía se considerarán parte del producto original y cualquier garantía de esas piezas coincidirá con la garantía original.

Para obtener el servicio de la garantía, debe llevar el producto, a su cargo, a uno de los centros de servicio de Lifan Power Products o Storm Series Power. Si no puede ubicar un servicio de garantía o no está satisfecho con el servicio de garantía que recibe, comuníquese con EquipSource, LLC al 866-471-7464. A criterio de EquipSource; Equipsource puede optar por reemplazar una unidad defectuosa. En este caso el usuario final es responsable de todos los gastos de envío y manipulación relacionados con el cambio.

Esta garantía no es válida para productos o piezas afectadas o dañadas por accidente, colisión, desgaste normal, contaminación de combustible, abuso, negligencia, mal uso, alteración y/o uso inadecuado o reemplazo por piezas no autorizadas. La cubierta de la segadora y las hojas no están específicamente garantizadas contra impacto o daño abrasivo. La garantía será nula si el cliente no instala, mantiene y/o utiliza el producto de acuerdo con las instrucciones y medidas recomendadas por Lifan descritas en el manual del propietario. EquipSource, LLC se exime de cualquier responsabilidad por pérdida de tiempo o pérdida de uso del producto, transporte, pérdida comercial o cualquier otro daño incidental o consecuente. Antes de cualquier servicio de garantía, se debe emitir un código de autorización al centro de servicio para que el reclamo de la garantía sea válido. Cualquier garantía implícita se limita a la duración de esta garantía limitada por escrito. Esta garantía le otorga derechos legales específicos, y usted también puede tener otros derechos que pueden variar según el estado.

Esta garantía excluye específicamente el uso de cualquier equipo Lifan Power o equipo Storm Series power con el fin de suministrar energía a dispositivos de soporte vital, aparatos de soporte vital, dispositivos médicos y/o aparatos médicos. EquipSource, LLC no será responsable por ningún daño debido al uso de cualquier equipo Lifan o Storm Series power para estos propósitos.

Exclusiones de la garantía:

- El incumplimiento de "Mantenimiento periódico" según se requiere y especifica en el "Manual del propietario" suministrado.
- La reparación inadecuada del producto o el reemplazo de piezas por piezas que no son del FEO (fabricante de equipos originales).
- Utilización en usos y métodos diferentes a los descritos en el "Manual del Propietario".
- Servicio y/o reparación realizada por alguien que no sea un "Centro de Servicio para productos Lifan o Storm Series autorizado".




**LIFAN
POWER
USA**

**LIFAN Power USA is proud to offer it's extensive line of LIFAN Power Equipment!!!!
LIFAN Power USA is the sole distribution for LIFAN Power Equipment in the United States. LIFAN's unmatched investment in research and development ensures quality engines, generators, pressure washers, and water pumps at an extraordinary value. LIFAN continues to be an innovator and presently holds over 3,000 patents. Product performance has earned LIFAN the reputation of dependability and value in all their international markets.**

LIFAN has been manufacturing and selling innovative and value driven products worldwide for over 15 years. LIFAN is distributed in over 100 countries. LIFAN is the largest privately owned company in China with sales over One-Billion Dollars annually and 14,000 employees. As the largest engine manufacturer in China, LIFAN builds more than five million small engines each year. This worldwide presence has been made possible by producing equipment that is durable, reliable, and rugged for any market.

LIFAN Power USA prides itself in standing behind all LIFAN products with our comprehensive warranty policy. LIFAN Power USA continues to offer the highest level of service and support in the industry. With proven performance and unmatched value, LIFAN Power Equipment will always keep you running.

All information in this publication is based on the latest product information available at the time of approval for printing. EquipSource, LLC reserves the right to make changes at any time without notice and without incurring any obligation. The copyright of this document belongs to EquipSource, LLC. No parts of this publication may be reproduced without the written permission of EquipSource, LLC.

For additional product information of any LIFAN Power Equipment, please visit us at our website - www.lifanpowerusa.com.

**LIFAN POWER USA
2205 Industrial Park Rd.
Van Buren, AR 72956
www.lifanpowerusa.com
866-471-7464**