

FEATURES

- Requires 3-Hole Sink with 8" On-Center
- 1/2" IPS Connections
- Max Flow Rate: 1.2 gpm (4.5 L/min) at 60 psi
- Max Countertop Thickness: 1 3/8"
- Spout Reach: 4 3/4"
- Spout Height: 4 5/16"
- 1/4 Turn Ceramic Valve for Lifetime Drip-free Operation
- With ClickInstall™ Drain Assembly
- With Zinc Lever Handle
- Recessed Aerator

CODE COMPLIANCE

- IAPMO Certified: ASME A112.18.1/CSA B125.1
- Compliant to NSF/ANSI 61 Section 9
- Compliant to NSF/ANSI 372
- Calgreen Certified
- EPA WaterSense Certified
- Meets AB 1953 Lead Standard
- ADA Compliant

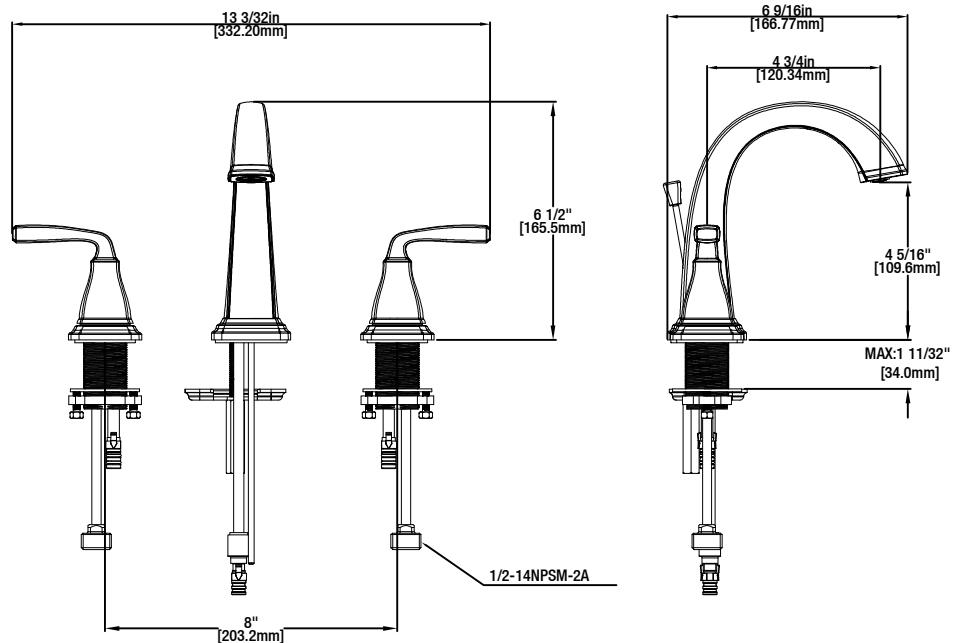
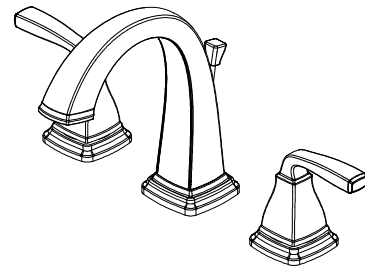


WARRANTY

- Limited Lifetime Warranty

Mason 8in Widespread

MODEL	YOW SKU#	FINISH
67664W-6001	718726	Polished Chrome
67664W-6004	718724	Brushed Nickel PVD
67664W-6027H2	718723	Mediterranean Bronze



INSTALLATION DIMENSIONS

Pegasus reserves the right to make changes in specifications and materials and to change and discontinue models, both without the notice or obligation. Dimensions are for reference only.