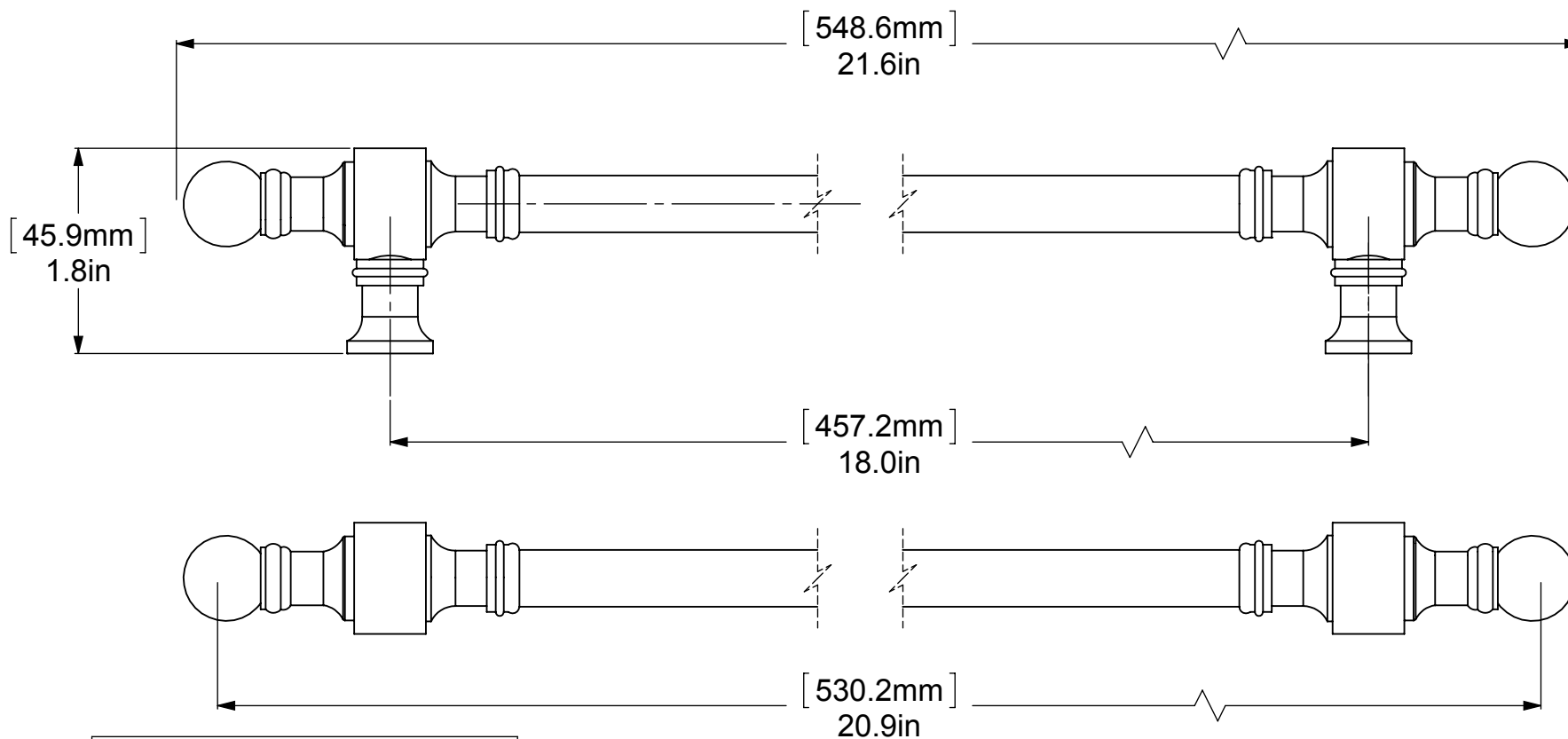
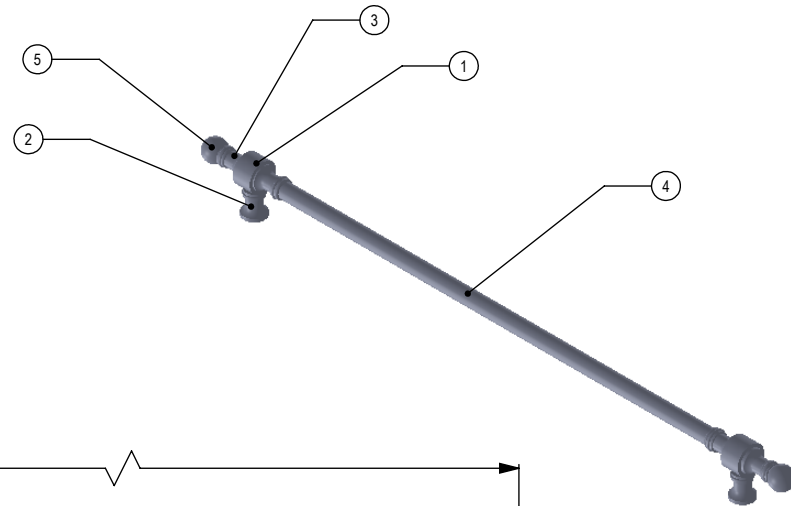


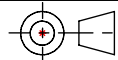
ITEM NO.	PART NUMBER	DESCRIPTION	QTY.
1	HB1T-1	HUB	2
2	PSTD8-78	BASE	2
3	NKSL-78	NECK	4
4	TU12-15.5	TUBE	1
5	BL1T-34	End Ball	2



UNLESS OTHERWISE STATED

.X	$\pm .3\text{mm}$
.XX	$\pm .15\text{mm}$
.XXX	$\pm .008\text{mm}$

COPYRIGHT © Allied Brass 2017



THIRD ANGLE PROJECTION

DRAWN	5/18/2017	I.M
CHECKED	5/18/2017	P.D
APPROVED	5/18/2017	R.A

MATERIAL:	BRASS
DESCRIPTION:	18 Inch Refrigerator Pull

FINISH	TBD
QUANTITY	TBD
DRAWING No.	RW-3/18
REV	0
SCALE	1:1.25
SHEET: 01	A4