

Barn Door Installation Guide

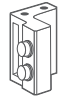
BARN DOOR HARDWARE STRAIGHT STRAP KIT



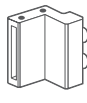
MASONITE.

Open to extraordinary.

COMMON COMPONENTS



1x
Right
Stopper



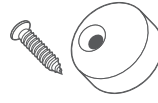
1x
Left
Stopper



2x
Strap Mount
Roller



4x
Standard 1-3/8"
Thick Door Strap
Bolts



2x
Anti-jump
Block



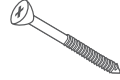
2x
#8 (4.2mm x
25mm)
Floor Screws



2x
1/4 (6mm)
Floor Anchor

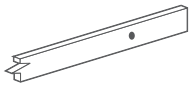


1x
Internal
Floor-Mounted
Door Guide

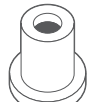


10 x 2-1/2
Wood Screws
**For mounting
wood block for
drywall installation**

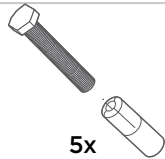
TRACK COMPONENTS



1x
78-3/4" or 83-3/4"
Track (5 holes)
**Track depending
on model**



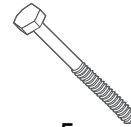
5x
Wall
Spacer



5x
5/16" (8mm x 60mm) Carriage Bolt
and 5/16" (8mm x 25mm) Anchor
(Pre-mounted to Carriage Bolt)
**For concrete wall
installation only**

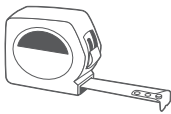


5x
3/8"
Washer



5x
5/16"
(8mm x 90mm)
Track Mount
Lag Bolts
**For drywall
installation with
wood blocking**

TOOLS REQUIRED



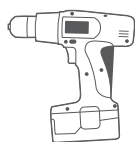
Tape Measure



Pencil



Phillips Screwdriver



Cordless Drill



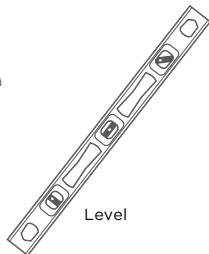
Drill bit*
(1/8", 1/4", 5/16"
and 3/8")



Wrench
(13mm, 16mm,
and 17mm)



Stud Finder



Level



Speed Square



Hammer



Step Ladder

IMPORTANT BEFORE YOU BEGIN

Read instructions fully before starting the installation of your barn door. Not following the installation instructions can cause the unit to work in an unsafe manner and cause injury.

The barn door kit has been designed to work as a total system. Any modification to the door or the hardware will void the warranty and may cause the unit to work improperly.

The weight of the barn door requires 2 people during installation.

Always wear appropriate personal protection equipment when using tools and follow manufacturer's operating instructions.

When installing directly into a non-concrete wall, do not attempt to install the track solely to the drywall or any wall surface as this may not support the weight of the track and mounted door.

The track must be installed onto a piece of solid blocking (provided) using mounting screws (included in some complete kits).

Ensure the solid blocking is secured into the structural surface. Use a stud finder where necessary to locate studs and secure safely.



Look for Symbol to ID important objective in step

* Depending on model and mounting application
NOTE: if installing in concrete, masonry bits will be needed

Barn Door Installation Guide

BARN DOOR HARDWARE STRAIGHT STRAP KIT



MASONITE.

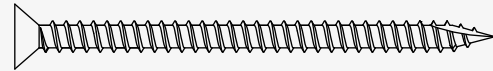
Open to extraordinary.

HARDWARE MATCH UP GUIDE

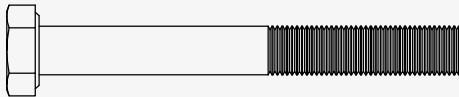
Refer to the following full scale hardware drawings to quickly match up the hardware.



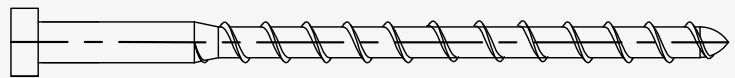
Standard 1-3/8"
Thick Door Strap Bolts



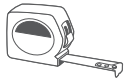
10 x 2-1/2"
Wood Screws



5/16" (8mm x 60mm)
Carriage Bolt



5/16" (8mm x 90mm)
Track Mount Lag Bolt



Tape Measure



Speed Square

1 DOOR PREPARATION STRAP INSTALLATION

Some models may not be pre-drilled for mounting rollers. If needed, use a 3/8" dia drill bit to drill mounting holes through the door using the strap as a template. Install straps with roller on the door with bolts provided using a 16mm & 17mm wrench. (FIGURE 1)

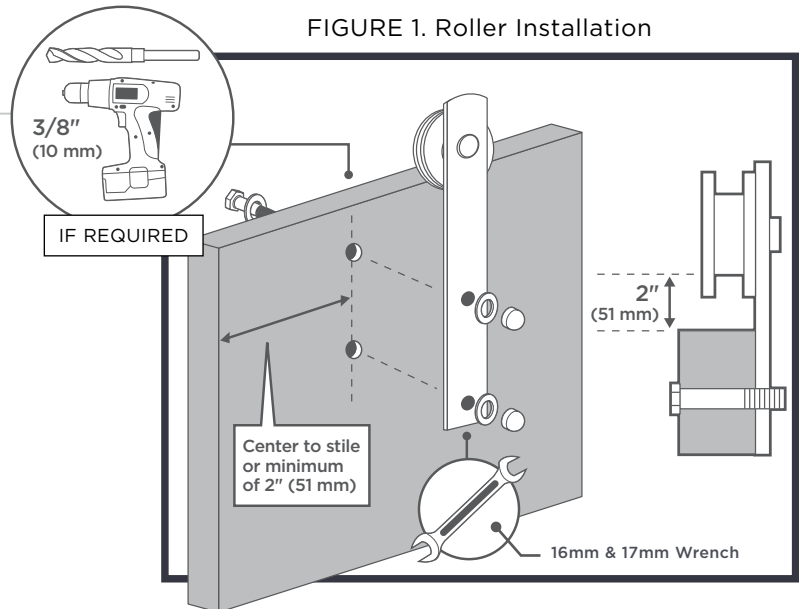


FIGURE 1. Roller Installation

2 DOOR PREPARATION ANTI-JUMP BLOCK INSTALLATION

Position each anti-jump block at least 1" from the edge of the straps.

The hole for the anti jump blocks should be offset from the center of the door so the block can be rotated out of the way to be able to hang the door on the track. (FIGURE 2)

NOTE: For concrete wall installation proceed to step 3. For Drywall installation proceed to step 6.

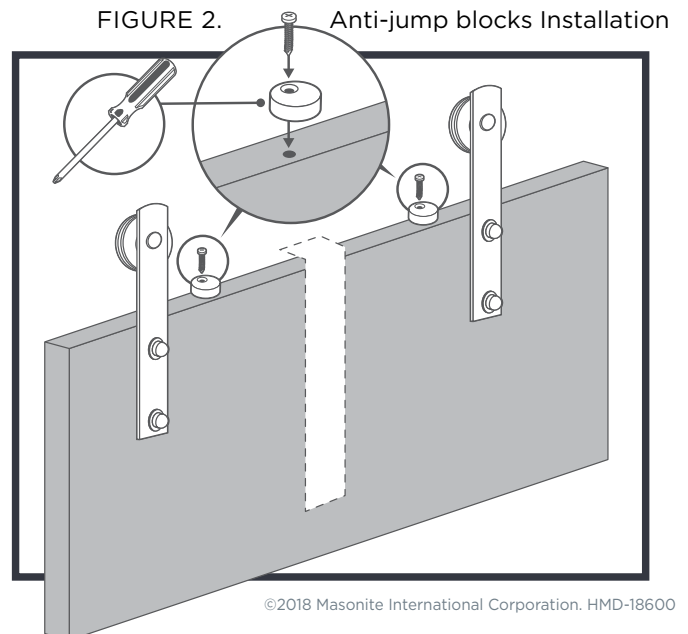


FIGURE 2. Anti-jump blocks Installation

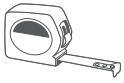
Barn Door Installation Guide

BARN DOOR HARDWARE STRAIGHT STRAP KIT



MASONITE.

Open to extraordinary.



Tape Measure



Speed Square

3 MARKING TRACK LOCATION FOR CONCRETE WALL INSTALLATION

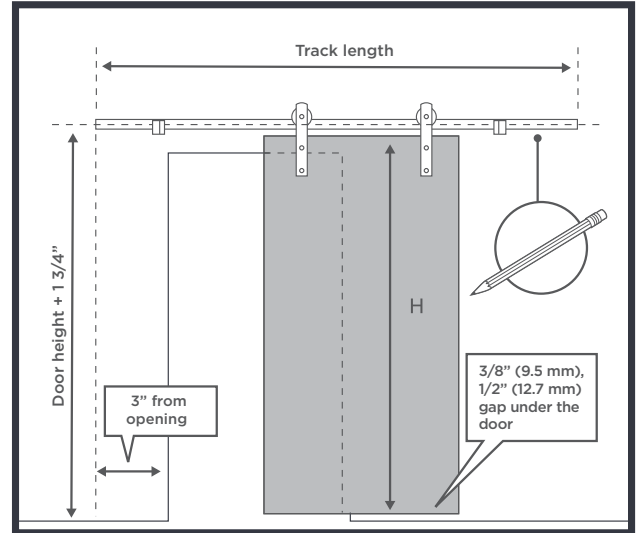
IF INSTALLING INTO DRYWALL PLEASE PROCEED TO STEP 6.

Using a ladder, tape measure and speed square, find the center line position of the track by adding 1-3/4" to the door height and measuring up from the floor. Mark with a pencil.

To find end location of the track, measure 3" over from edge of opening. Mark with a pencil. (FIGURE 3)

When installing with a standard 80" height opening, the top trim will need to be removed, and the top of the side trim cut horizontally along the height of the opening. (NOT SHOWN)

FIGURE 3. Locate the position of the track



Hammer

4 CONCRETE WALL PREPARATION

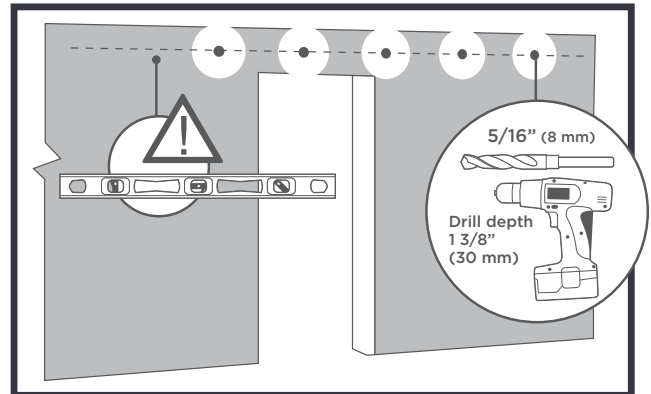
Position the track in place using the marks in the previous step. **Ensuring it is level** and using the track as a template, mark mounting hole locations for the track using a pencil. (FIGURE 4) **See installation tip below.**

Predrill the concrete at marked location using 5/16" masonry drill bit.

Remove metal anchors from bolts and install into holes using a hammer. (FIGURE 5)

INSTALLATION TIP: locate and temporarily install track with one end bolt without spacer. This will hold one end of the track up so you can move the free end to ensure the track will be level then proceed to mark the other locations of mounting holes.

FIGURE 4. Drilling mounting holes in concrete



5x

5/16" (8mm x 60mm)
Carriage Bolt



5x

3/8" Washer



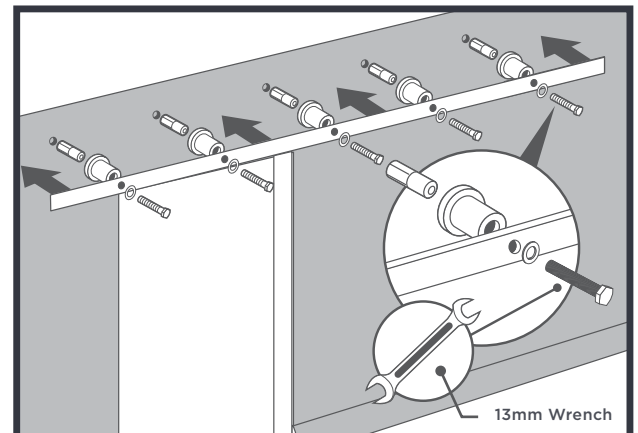
5x

5/16" (8mm x 25mm)
Anchor

5 CONCRETE TRACK PREPARATION

Install track with bolts, washers and spacers using 13mm wrench. (FIGURE 5)

FIGURE 5. Track mount



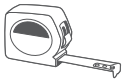
Barn Door Installation Guide

BARN DOOR HARDWARE STRAIGHT STRAP KIT



MASONITE.

Open to extraordinary.



Tape Measure



Speed Square

6 DRY WALL PREPARATION

When installing on drywall or plaster, a 1 x 4 wood board must first be fastened to the structural wall members (studs) behind the drywall before mounting the track.

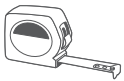
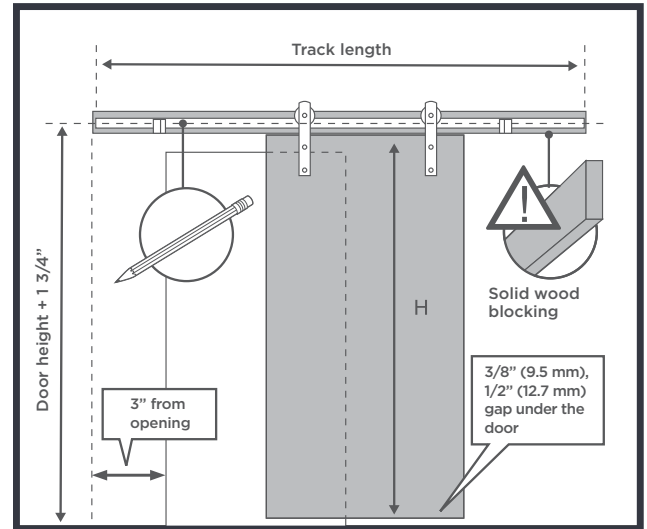
Using a ladder, tape measure and speed square, find the center line position of the track by adding 1-3/4" to the door height and measuring up from the floor. Mark with a pencil.

To find end location of the track, measure 3" over from opening mark location. (FIGURE 6)

NOTE: Mounting board to have same center as track. End of mounting board may vary from track end. See Step 7.

When installing with a standard 80" height opening, the top trim will need to be removed and the top of the side trim cut horizontally along the height of the opening. (NOT SHOWN)

FIGURE 6. Locate the position of track and mounting board

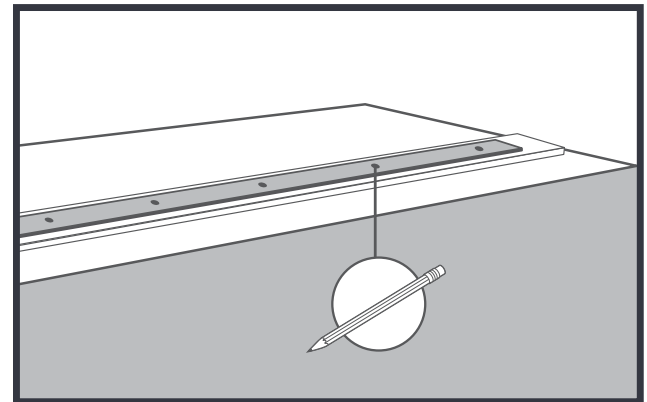


Tape Measure

7 MARKING MOUNTING HOLES

On a flat surface, center the track on the mounting board (insure the track is straight on the board). Mark locations of track mounting holes onto board. (FIGURE 7)

FIGURE 7. Marking mounting holes on mounting board



Pencil



Phillips Screwdriver



Stud Finder



10 x 2-1/2 Wood Screws

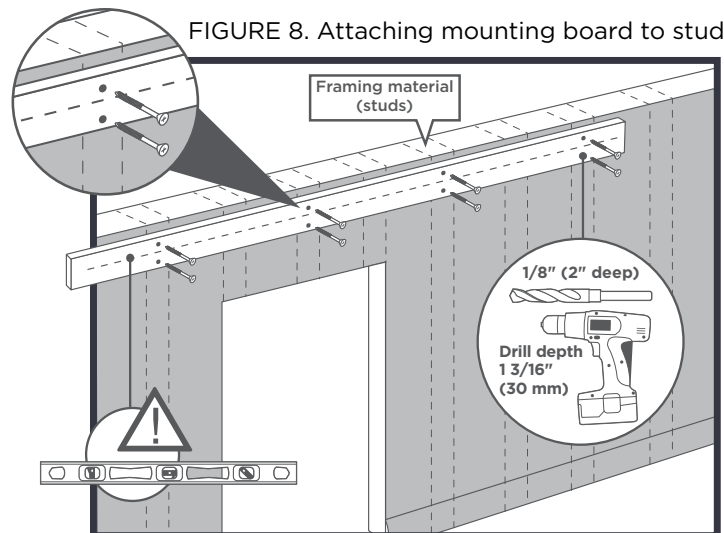
8 ATTACHING MOUNTING BOARD

Use the stud finder to find the framing material (studs) behind the drywall. Mark locations. (Remember to mark location so that you will be able to see them when mounting 1x4 board.)

Position the mounting board on the wall ensuring it is level. Attach through drywall into studs using #10 x 2-1/2 screws (2 per stud location). Pre-drill with 1/8" drill bit. Position screws so they do not interfere with track mounting holes. (FIGURE 8)

INSTALLATION TIP: Locate and install one screw at end of board first. This will hold one end of the board so you can move the free end and ensure the board is level as you install the other #10 x 2-1/2" screws.

FIGURE 8. Attaching mounting board to studs



Barn Door Installation Guide

BARN DOOR HARDWARE STRAIGHT STRAP KIT



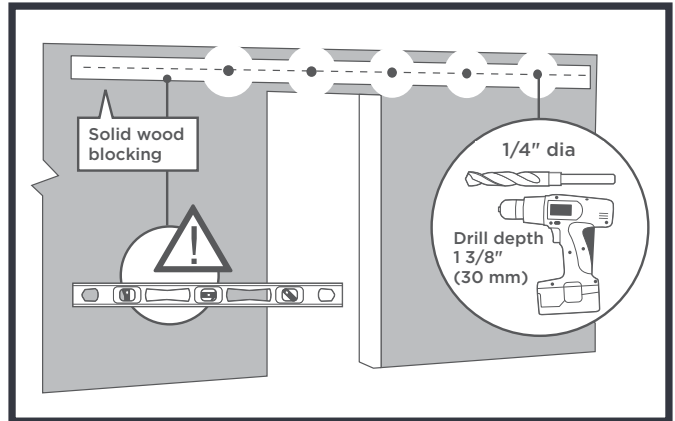
MASONITE.

Open to extraordinary.

9 MOUNTING TRACK TO BOARD

Drill 1/4" dia pilot holes for track mounting lag bolts into board at marked locations from Step 7. (FIGURE 9)

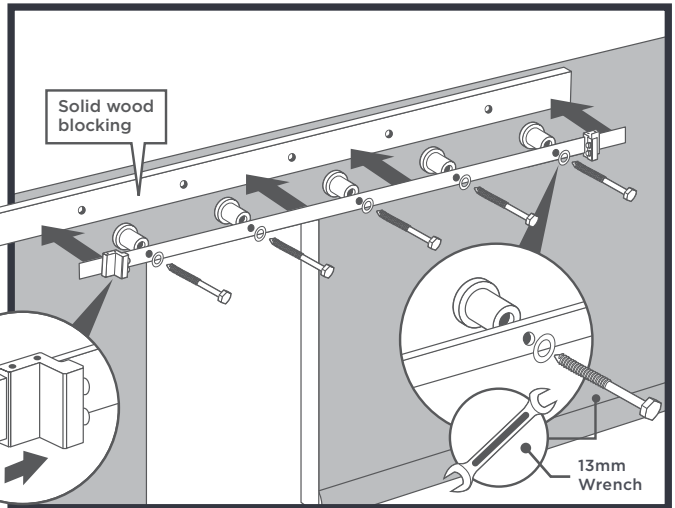
FIGURE 9. Drilling for track mounting lag bolts



10 ATTACHING TRACK TO MOUNTING BOARD

Attach track to mounting board with 3-3/4" lag bolts with spacers and washers using 13mm wrench. (FIGURE 10)

FIGURE 10. Attaching track and installing stoppers



5x

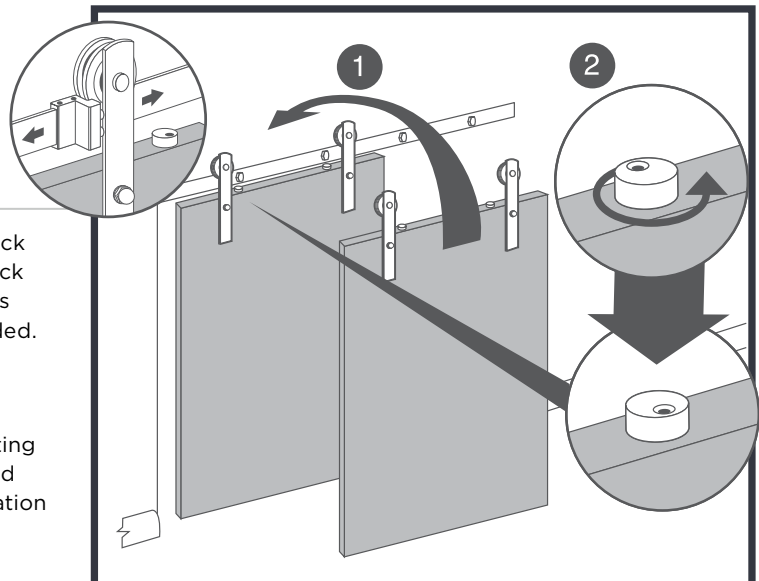
5/16" (8mm x 90mm)
Track Mount Lag Bolts

Washers can be found on concrete bolts.

11

Slide stoppers on both ends of track (note the stoppers are handed). Secure with set screws using the allen wrench that is included with stoppers.

FIGURE 11. Hanging door and adjusting stoppers



12 HANGING DOOR AND ADJUSTING STOPPERS

Place assembled door with roller onto track and rotate anti-jump block. Slide door back and forth to test how well the door covers the opening. Reposition stoppers as needed. (FIGURE 11)

If less travel of the door is required, the stoppers can be moved inside end mounting bolts. Remove the end mounting bolts and spacers, slide the stopper to the new location and reinstall bolt and spacer.

Barn Door Installation Guide

BARN DOOR HARDWARE STRAIGHT STRAP KIT



13 FLOOR-MOUNTED DOOR GUIDE INSTALLATION

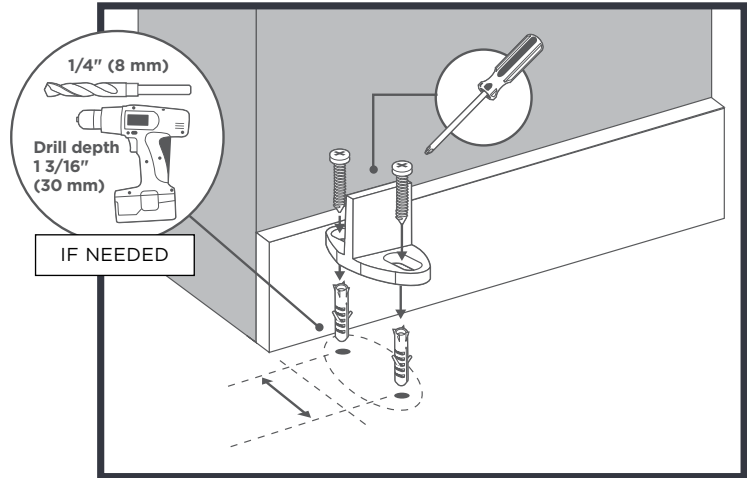
Used for standard doors that are grooved in the bottom of the panel for the guide.

With the door hanging straight, position the floor-mount door guide inside groove in the bottom of the door. Slide the door side to side to ensure the guide is properly placed. Mark location of the guide.

Attached guide with supplied screws. If needed supplied anchors can be used by drilling 1/4" dia holes. (FIGURE 12)

To fasten guide the door may need to be removed or slide out of the way by loosening one of the stoppers.

FIGURE 12. Attaching floor mounted door guide



14 FINAL CHECK OF STOPPERS AND ANTI-JUMP BLOCKS

Check to see that stoppers are properly located and tightened in place. Also check to see that anti-jump blocks are rotated correctly and tightened.

FIGURE 13. Securing stoppers and anti-jump blocks

