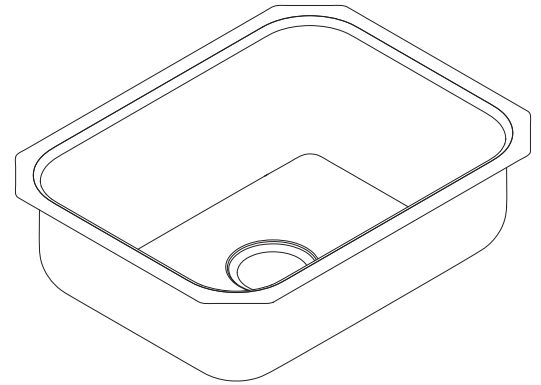


Model Number	Faucet Holes	Depth-Inches	Drain Placement	ADA/FHA Compliant
GS18190	N/A	9"	Center	No
GS18191	N/A	8"	Center	No
GS18192 (pictured)	N/A	7"	Center	No
GS18192B	N/A	7"	Rear (Center)	FHA
GS18192L	N/A	7"	Rear (Left)	FHA
GS18195B	N/A	5-1/2"	Rear (Center)	ADA/FHA
GS18195L	N/A	5-1/2"	Rear (Left)	ADA/FHA



### SINK DESCRIPTION

- 1800 Series single bowl undermount sink
- 18 gauge stainless steel, brushed finish
- Mounting brackets included, no other hardware included
- SoundSHIELD™ sound absorbing system

### WARRANTY

- Lifetime limited warranty to the original homeowner
- 10 year limited warranty when used in a Multi-family installation
- 5 year limited warranty when used in a Commercial installation
- Visit [www.moen.com/customer-support/warranty](http://www.moen.com/customer-support/warranty) for complete details and limitations

### SINK DIMENSIONS

- Overall: 23-1/2" x 18-1/4"
- Bowl: 21" x 15-3/4"
- Drain Size: 3-5/8"

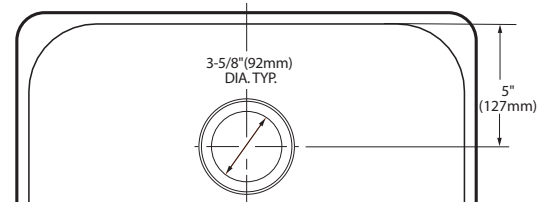
### CUT OUT DIMENSIONS

- Cut out template included

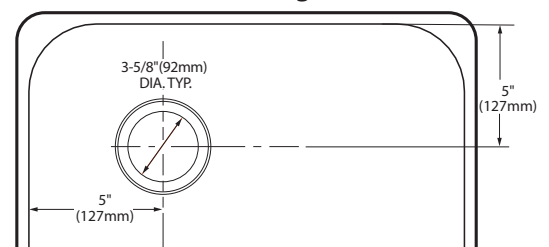
### STANDARDS

- Third party certified to meet ASME A112.19.3/CSA B45.4 and all applicable specifications referenced therein
- \***ADA/FHA** Sink compliant to ADA (ICC A117.1) and FHA accessibility specifications when installed to these required standards. Always consult with your local building department for the specific installation requirements.
- \***FHA** Sink compliant to FHA accessibility specifications when installed to these required standards. Always consult with your local building department for the specific installation requirements.

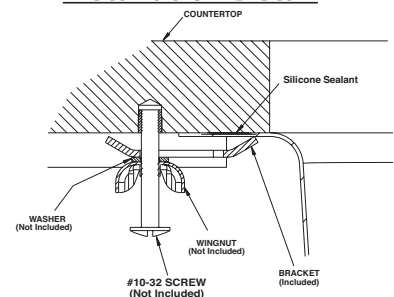
### Rear Configuration



### Left Rear Configuration



### Installation Detail



MADE IN THE USA

### CRITICAL DIMENSIONS

(DO NOT SCALE)

