

RYOBI
Item No. RY906500
Mfg. No. 090930285
Replacement Parts List

TECHTRONIC INDUSTRIES POWER EQUIPMENT

P.O. Box 1288

Anderson, SC 29622 USA

1-800-860-4050

RYOBI GENERATOR – RY906500

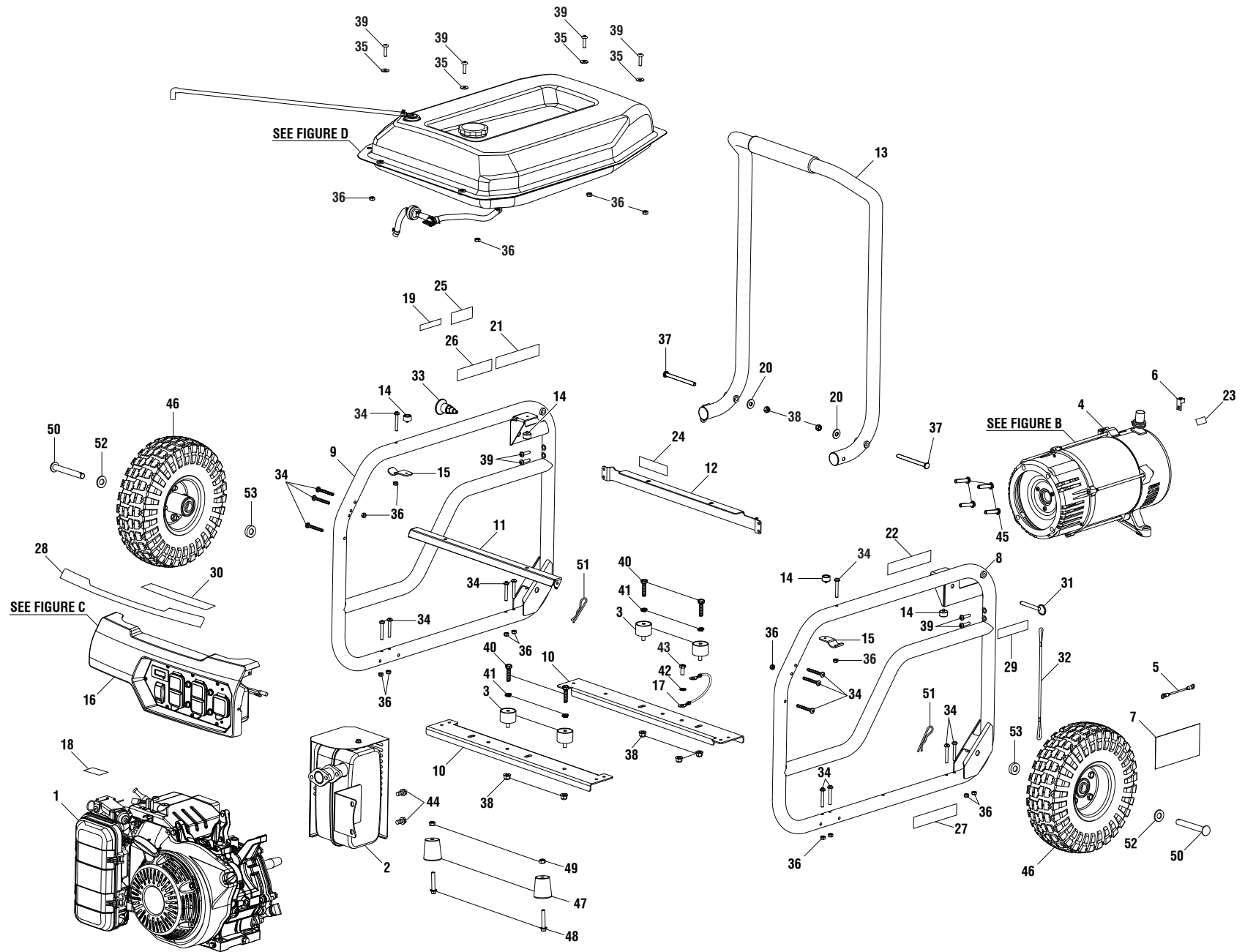


FIGURE A

RYOBI GENERATOR – RY906500

The model number will be found on a label attached to the engine. Always mention the model number in all correspondence regarding your **GENERATOR** or when ordering replacement parts.

PARTS LIST – FIGURE A

KEY PART NO. NUMBER	DESCRIPTION	QTY	KEY PART NO. NUMBER	DESCRIPTION	QTY	KEY PART NO. NUMBER	DESCRIPTION	QTY
1	Note A	1	21	940974089	1	41	673155001	4
2	309322038	1	22	940974007	1	42	673157001	1
3	570356012	4	23	940513002	1	43	660973016	1
4	310227064	1	24	940513029	1	44	660599002	2
	Generator Head Assembly (See Figure B)	1	25	940758005	1	45	660596002	4
5	290455001	1	26	940680075	1	46	308451010	1
6	638703003	1	27	940708019	1	47	562856010	2
7	560878003	1	28	940779164	1	48	661836007	2
8	308581060	1	29	940514010	1	49	678774004	2
9	308581061	1	30	940617164	1	50	681866006	2
10	638735049	2	31	310712001	1	51	678146002	2
11	638959024	1	32	310715001	1	52	638422004	2
12	638960013	1	33	308910010	1	53	638498003	2
13	310224082	1	34	660224019	18			
14	570712002	4		Bolt (M6 x 50 mm, Torx Pan Hd. T30)		Not Shown:		
15	678285007	2	35	673154002	4	991000692	Operator's Manual	
16	290403083	1	36	678460009	16	991000693	Quick Reference Guide	
	Control Panel Assembly (See Figure C)	1	37	661851004	2	120302014	Hardware Kit	
17	290404001	1	38	678774012	7			
18	940647121	1	39	661834005	4			
19	941486008	1		Bolt (M6 x 25 mm, Torx Pan Hd.)				
20	638128004	2	40	660973017	4			
	Washer			Bolt (M8 x 35 mm, Hex Hd.)				

NOTE A: Techtronic Industries Power Equipment, Inc., will not provide complete engines as replacement parts. Engines are covered through the engine manufacturer's warranty. Consult the accompanying engine manual or contact our service department for assistance.

RYOBI GENERATOR – RY906500

The model number will be found on a label attached to the engine. Always mention the model number in all correspondence regarding your **GENERATOR** or when ordering replacement parts.

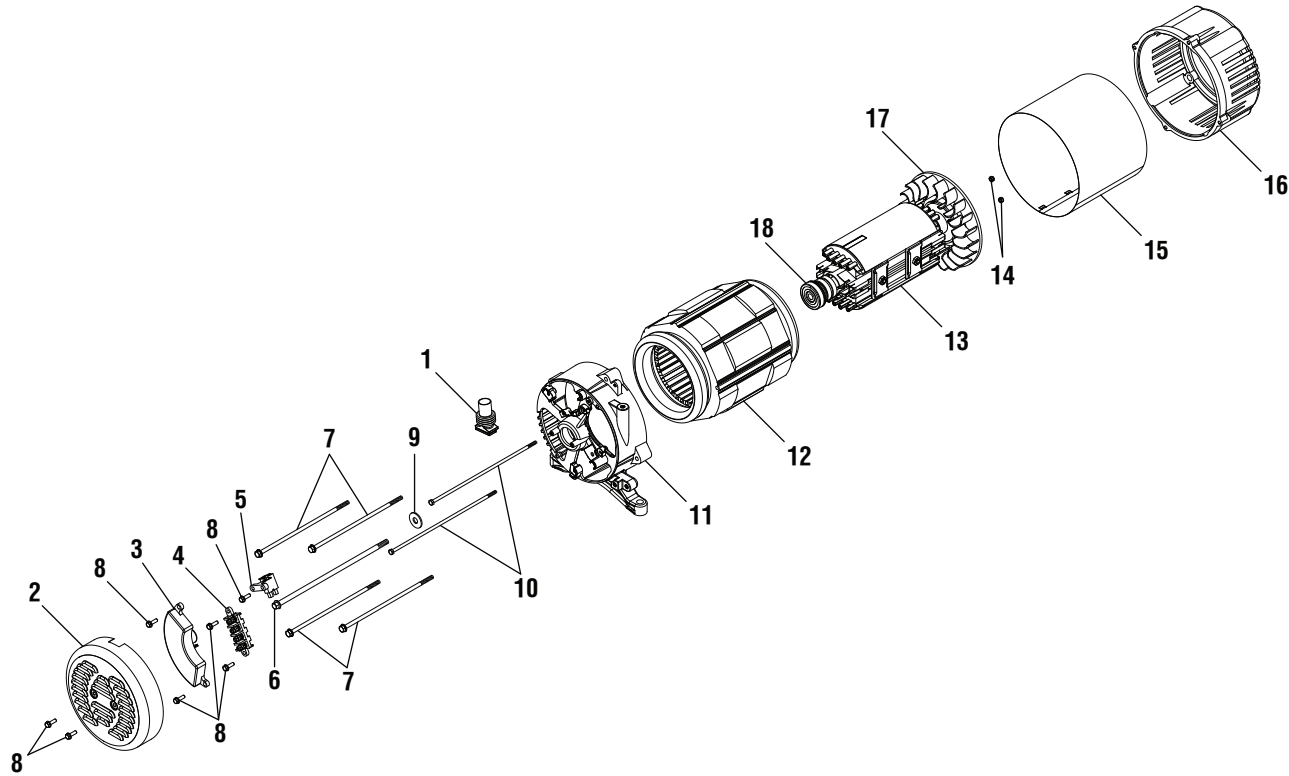


FIGURE B

KEY NO.	PART NUMBER	DESCRIPTION	QTY	KEY NO.	PART NUMBER	DESCRIPTION	QTY
1	570766004	Rubber Boot	1	10	661603031	Stator Bolt (M6 x 210 mm, hex hd.).....	2
2	678296004	Brush Cover	1	11	678865003	Bearing Housing	1
3	290440008	Automatic Voltage Regulator	1	12	310772049	Stator Assembly.....	1
4	290602003	Terminal Block	1	13	310771048	Rotor Assembly	1
5	290441005	Brush Assembly	1	14	690840002	Nut (M5)	2
6	661603030	Rotor Bolt.....	1	15	638624020	Cover	1
7	660938031	Stator Bolt.....	4	16	640331005	Engine Adaptor	1
8	660938012	Bolt (M5 x 16 mm, Hex Hd.)	6	17	307471001	Fan	1
9	638623002	Rotor Washer	1	18	681963001	Ball Bearing.....	1

RYOBI GENERATOR – RY906500

The model number will be found on a label attached to the engine. Always mention the model number in all correspondence regarding your **GENERATOR** or when ordering replacement parts.

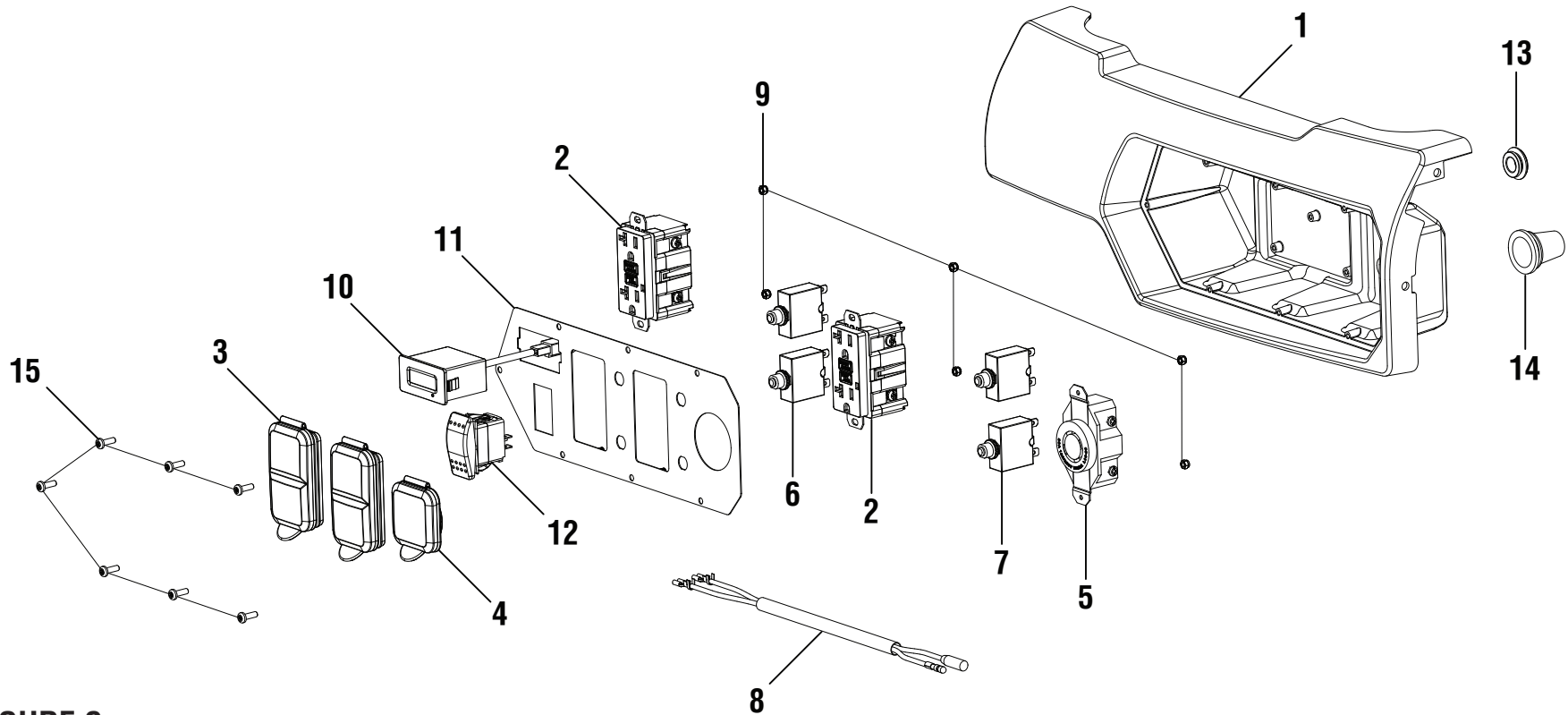


FIGURE C

KEY NO.	PART NUMBER	DESCRIPTION	QTY	KEY NO.	PART NUMBER	DESCRIPTION	QTY
1	519815010	Control Box.....	1	8	290435025	Wiring Harness	1
2	290400023	120 Volt GFCI Receptacle.....	2	9	678720001	Lock Nut (#6-32).....	6
3	570412008	GFCI Receptacle Cover.....	2	10	290492005	Digital Display	1
4	570412007	Receptacle Cover (30 Amp).....	1	11	638496042	Faceplate	1
5	290401004	120 Volt Twist Lock Receptacle (30 Amp)	1	12	270290016	Stop Switch	1
6	780350001	Circuit Breaker (20 Amp).....	2	13	570766010	Grommet.....	1
7	780351001	Circuit Breaker (30 Amp).....	2	14	570766006	Rubber Boot	1
				15	660899002	Screw (8-18 x 1/2 in.).....	7

RYOBI GENERATOR – RY906500

The model number will be found on a label attached to the engine. Always mention the model number in all correspondence regarding your **GENERATOR** or when ordering replacement parts.

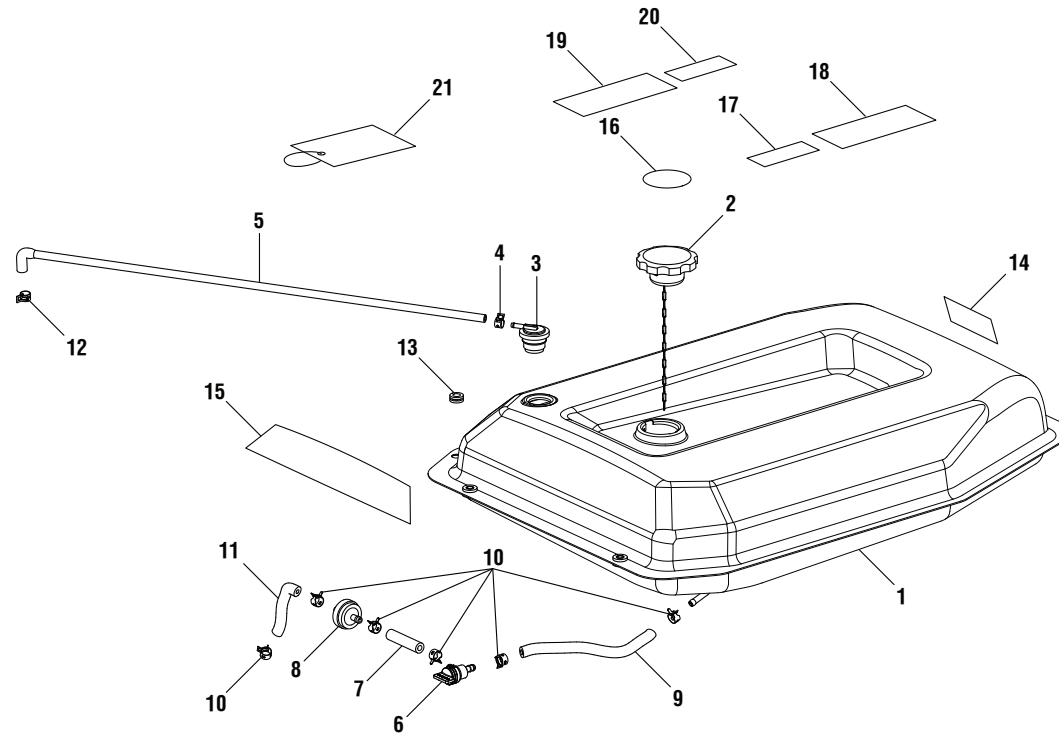
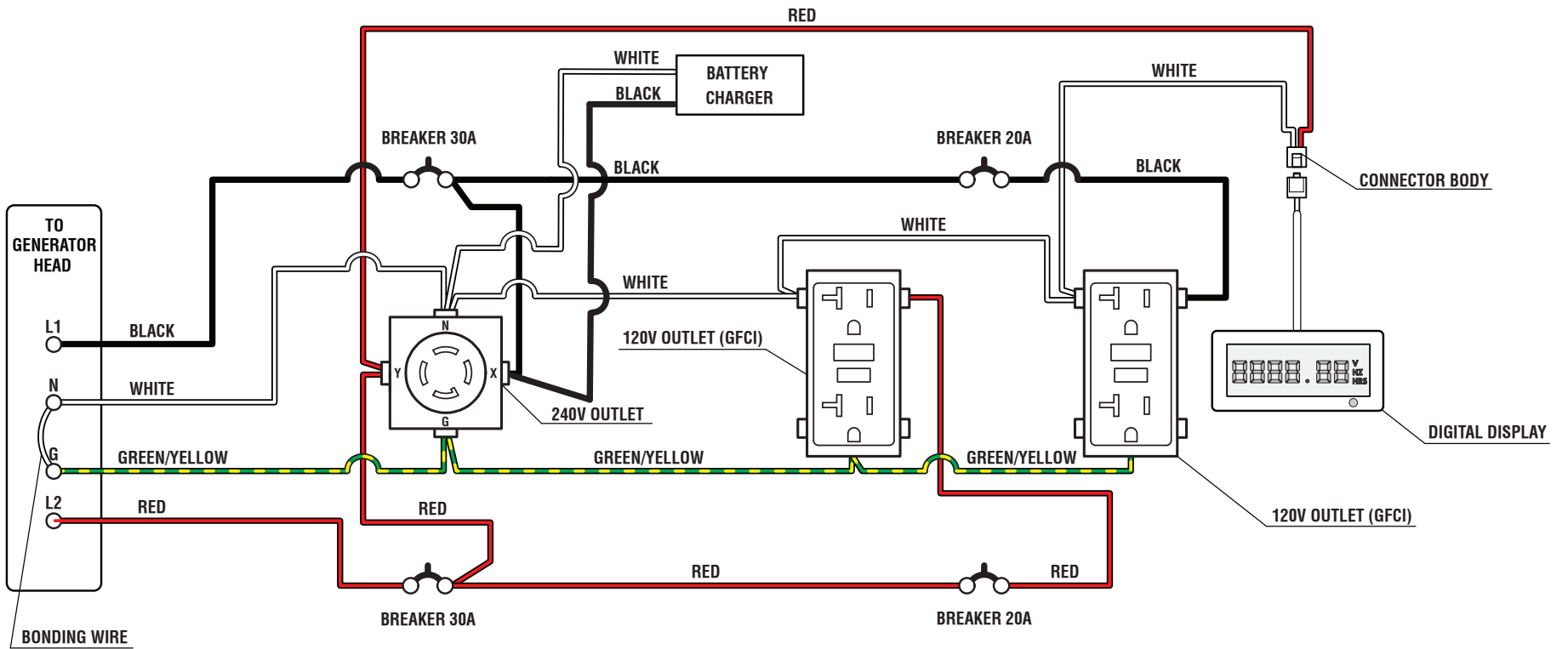


FIGURE D

KEY NO.	PART NUMBER	DESCRIPTION	QTY	KEY NO.	PART NUMBER	DESCRIPTION	QTY
1	310711117	Fuel Tank.....	1	12	678409008	Hose Clamp (3/8 in.)	1
2	310720026	Fuel Cap.....	1	13	570358091	Grommet.....	1
3	310854002	Vapor Vent.....	1	14	940947003	Combustion Label.....	1
4	678408014	Hose Clamp (10.3 mm)	1	15	940705327	Logo Label	1
5	570358105	Vapor Hose	1	16	940872022	Fuel Stabilizer Label (Eng.)	1
6	308459002	Fuel Shut Off Valve	1	17	940872024	Fuel Stabilizer Label (Fr./Sp.)	1
7	570358056	Fuel Hose (55 mm).....	1	18	940515016	CPSC Label	1
8	308733008	Fuel Filter	1	19	940654254	Warning Label.....	1
9	570358093	Fuel Hose (175 mm).....	1	20	940872003	E85 Label.....	1
10	678408006	Hose Clamp (1/2 in.)	6	21	940971087	Danger Hang Tag	1
11	570358104	Fuel Hose (185 mm).....	1				

RYOBI GENERATOR – RY906500



WIRING DIAGRAM

RYOBI
40 Volt Snow Blower
Item No. RY40805
Mfg. Number 107700021
Repair Sheet

TECHTRONIC INDUSTRIES POWER EQUIPMENT

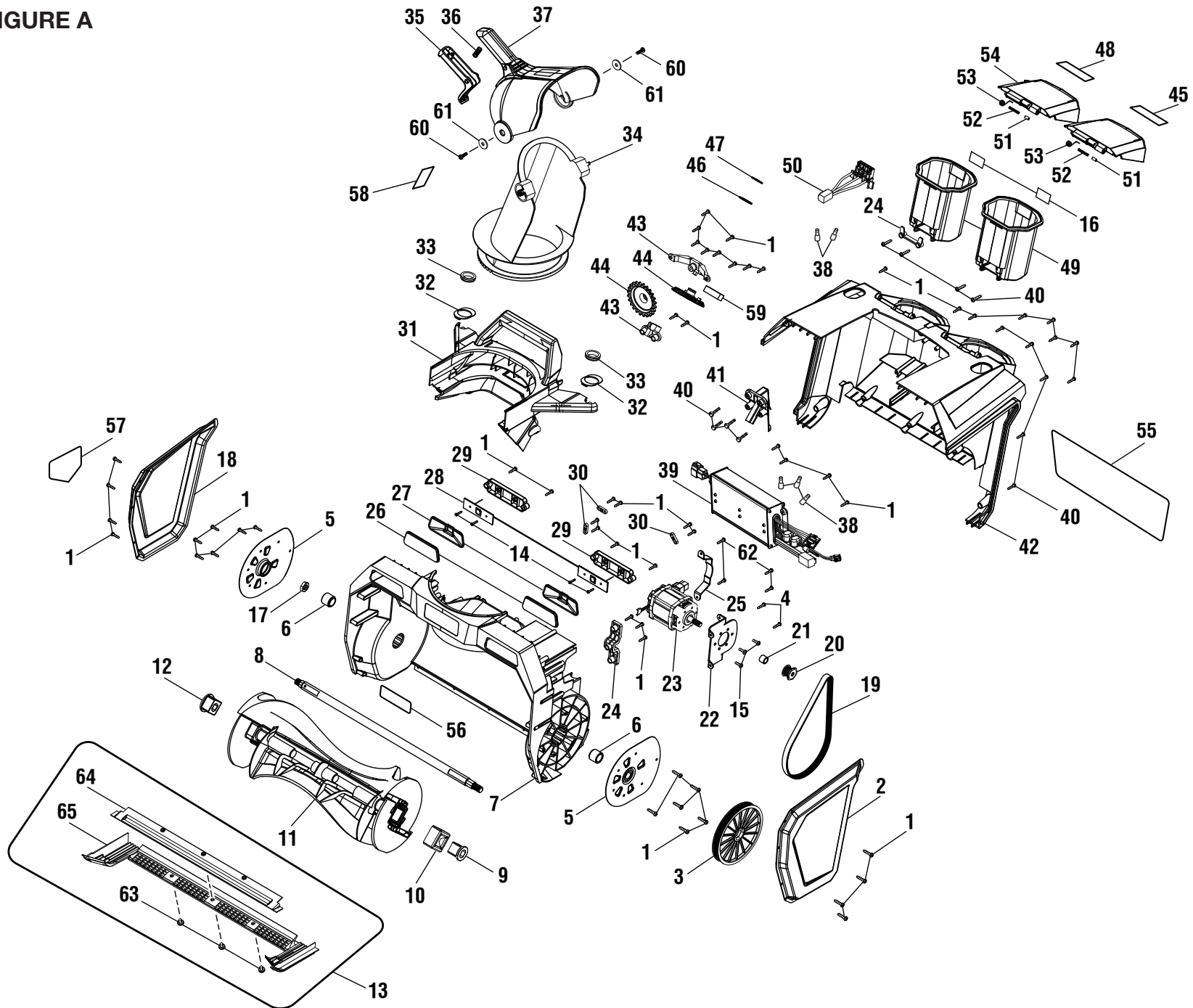
P.O. Box 1288, Anderson, SC 29622

Phone 1-800-860-4050

www.ryobitools.com

RYOBI SNOW BLOWER – ITEM NUMBER RY40805

FIGURE A



RYOBI SNOW BLOWER – ITEM NUMBER RY40805

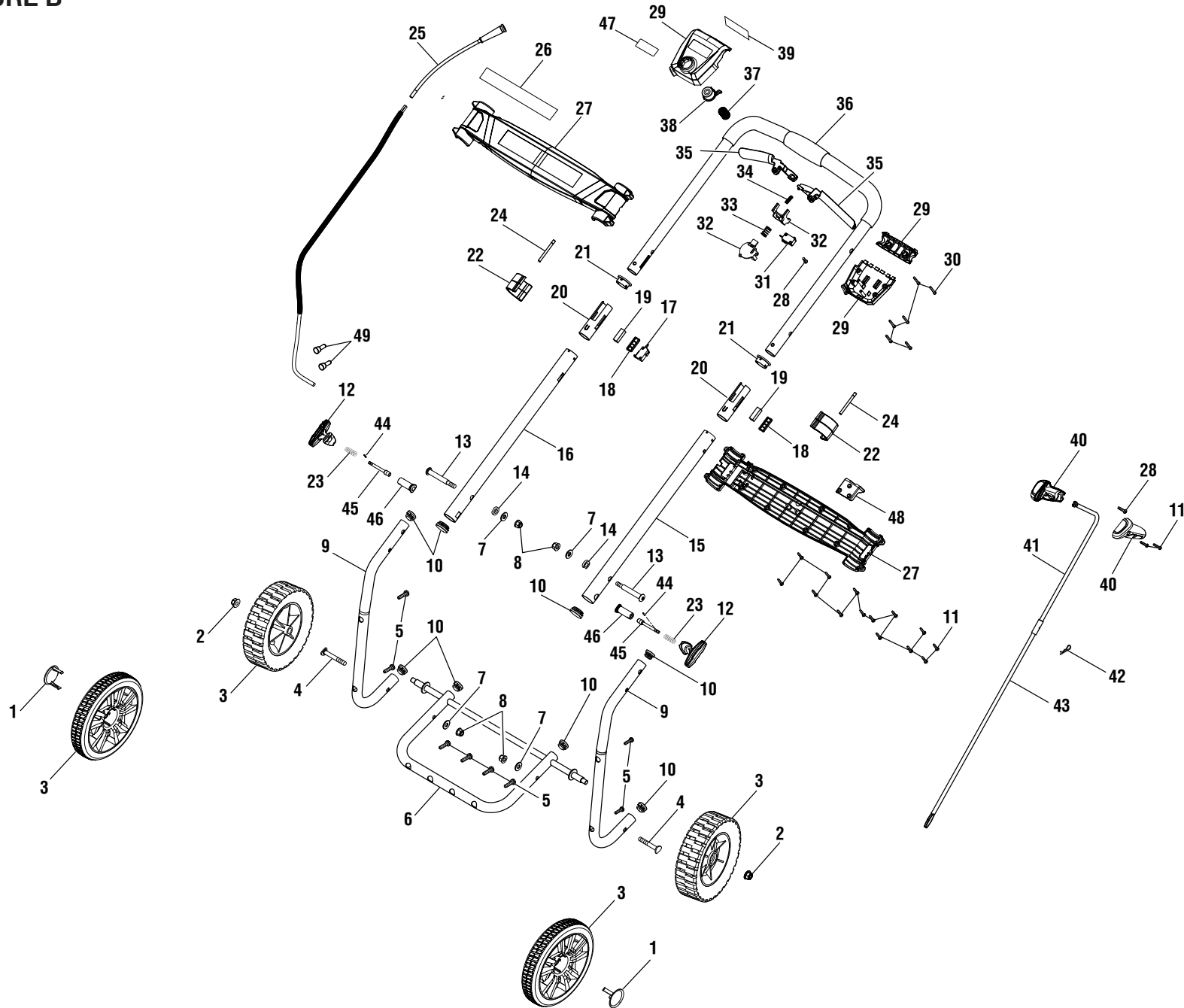
The item number and manufacturing number will be found on a label attached to the unit. Always mention the item number and manufacturing number in all correspondence regarding your **SNOW BLOWER** or when ordering repair parts.

PARTS LIST – FIGURE A

KEY NO.	PART NUMBER	DESCRIPTION	QTY	KEY NO.	PART NUMBER	DESCRIPTION	QTY
1	661189003	Screw (4 x 18 mm, T15 Torx Pan Hd.).....	60	33	563892001	Rubber Bushing.....	2
2	636785001	Left Side Cover.....	1	34	529276002	Chute.....	1
3	529284001	Pulley.....	1	35	529279001	Nozzle Adjustment Handle.....	1
4	660208104	Screw (M4-18 x 30 mm, T15 Torx Soc. Hd.).....	2	36	695017001	Compression Spring.....	1
5	311406001	Bearing Plate w/Bearing Assembly.....	2	37	534085001	Chute Nozzle.....	1
6	694993001	Sleeve.....	2	38	790021001	Wire Connector.....	5
7	529273001	Front Housing Assembly.....	1	39	280400006	Brushless Motor Controller.....	1
8	621893001	Auger Shaft.....	1	40	660563002	Screw (M4 x 20 mm, T20 Torx Pan Hd.).....	13
9	612808001	Left Drive Block.....	1	41	529289001	Fixing Plate (Chute Rod).....	1
10	636782001	Connect Plate.....	1	42	529274001	Rear Housing.....	1
11	529275001	Impeller.....	1	43	203893001	Gear Support Assembly.....	1
12	612809001	Right Drive Block.....	1	44	203894001	Gear Assembly.....	1
13	203897001	Scraper Blade Assembly (Incl. Key Nos. 63-65).....	1	45	940851062	On-Board Storage Label.....	1
14	660203001	Screw (M3-24 x 8 mm, Pan Hd.).....	4	46	636793001	Washer (ID 17.5 x OD24 x 1t).....	1
15	660502004	Screw w/Washer (M5 x 8 mm, Pan Hd.).....	3	47	636794001	C-Ring.....	1
16	941851041	Battery Temperature Label.....	2	48	940851061	In-Use Label.....	1
17	T662320001	Hex Nut (5/16 in.).....	1	49	529281001	Battery Carriage.....	2
18	636784001	Right Cover.....	1	50	311346003	Battery Holder Assembly.....	1
19	563939001	V-Belt (Type 5EPJ568).....	1	51	621628001	Axle.....	2
20	311275001	Drive Pulley.....	1	52	679073001	Compression Spring.....	2
21	694992001	Motor Bushing.....	1	53	695144001	Torsion Spring.....	2
22	636786001	Motor Locating Plate.....	1	54	529280001	Battery Cover.....	2
23	742194004	Motor.....	1	55	941588265	Data/Warning Label.....	1
24	203892001	Motor Support & Terminal Holder Assembly.....	1	56	940705287	Front Logo Label.....	1
25	636787001	Motor Plate.....	1	57	941641001	No Hands/Feet Danger Label.....	1
26	529296001	Headlight Lens.....	2	58	940851065	Chute Icon Label.....	1
27	529297001	Reflector.....	2	59	564617001	Rubber Plate.....	1
28	280401003	LED Light Plate Assembly (Set of 2).....	1	60	660208055	Screw (M4 x 12 mm, Pan Hd.).....	2
29	529332001	Fixing Plate (LED Lens).....	2	61	638988001	Washer (ID5.2 x OD16 x 1.5t).....	2
30	513211001	Cord Clamp.....	3	62	662053002	Screw (M5 x 25 mm, T20 Torx Pan Hd.).....	4
31	529277001	Carry Handle.....	1	63	664004002	Screw (1/4-20 x 3/8 in., T30 Torx Pan Hd.).....	3
32	529428001	Plug.....	2	64	636788002	Scraper Blade (Metal).....	1
				65	529300001	Scraper Blade Cover (Plastic).....	1

RYOBI SNOW BLOWER – ITEM NUMBER RY40805

FIGURE B



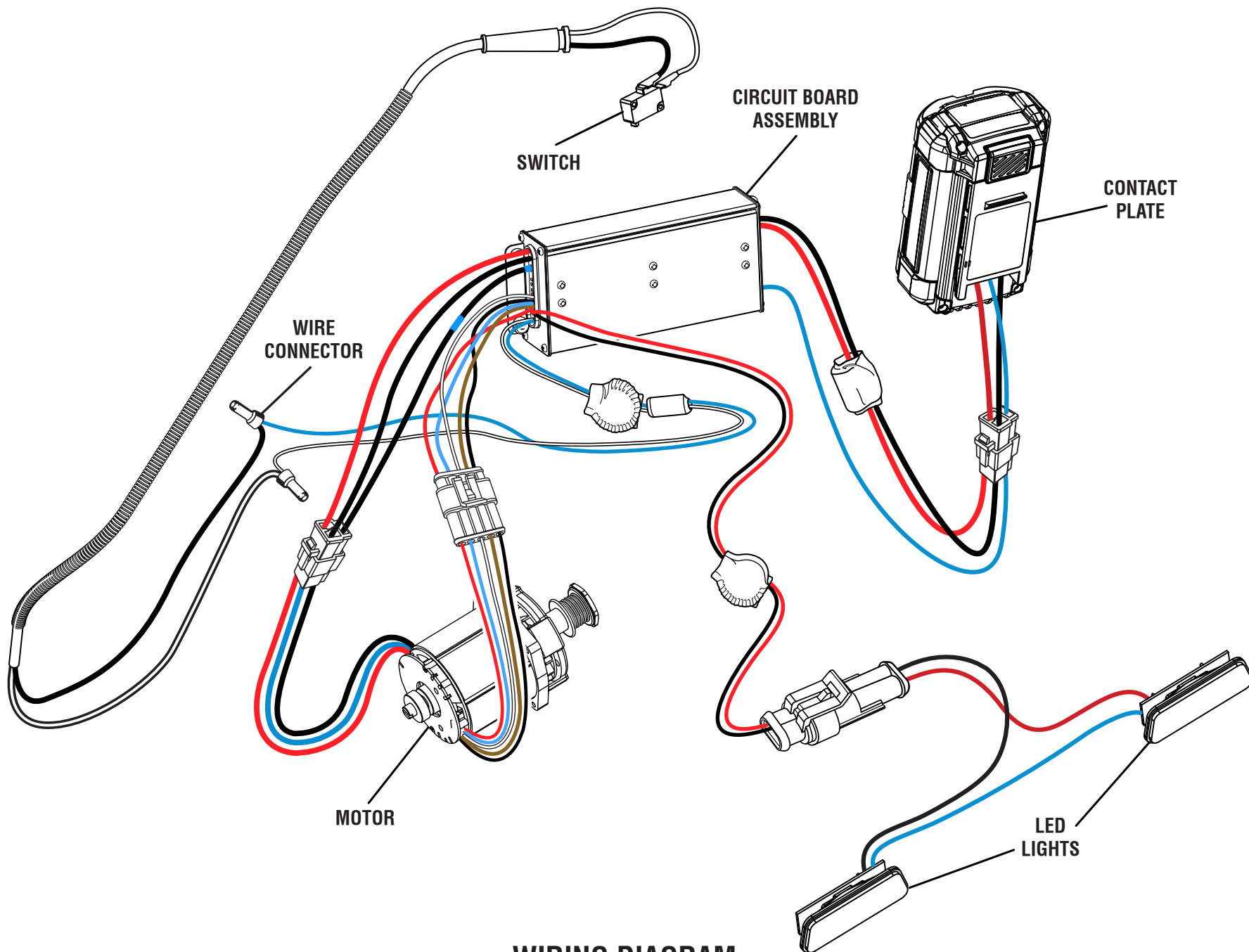
RYOBI SNOW BLOWER – ITEM NUMBER RY40805

The item number and manufacturing number will be found on a label attached to the unit. Always mention the item number and manufacturing number in all correspondence regarding your **SNOW BLOWER** or when ordering repair parts.

PARTS LIST – FIGURE B

KEY NO.	PART NUMBER	DESCRIPTION	QTY	KEY NO.	PART NUMBER	DESCRIPTION	QTY
1	526876001	Wheel Cover (Before Serial Number EU18234D020307).....	2	26	940851060	Mid Panel Logo Label	1
2	662082001	Lock Nut (3/8-16)	2	27	203886001	Mid Trim Housing Assembly (Inc. Key No. 26).....	1
3	307988002	8 in. Wheel Assembly (Before Serial Number EU18234D020307).....	2	28	661189002	Screw (M4 x 10 mm, T20 Torx Pan Hd.)	2
	313973001	8 in. Wheel Assembly	2	29	203887001	Trigger Housing Assembly (Inc. Key Nos. 39 & 47).....	1
4	T662339001	Screw (M8 x 60 mm, Special Hd.).....	2	30	660208104	Screw (M4 x 30 mm, T15 Torx Soc. Hd.)	6
5	664004003	Screw (1/4-15, T30 Torx Pan Hd.).....	8	31	760689007	On/Off Switch.....	1
6	311274002	Lower Support Tube and Axle Assembly (Before Serial Number EU18234D020307).....	1	32	203888001	Switch Button Assembly	1
	313974001	Lower Support Tube and Axle Assembly	1	33	694990001	Compression Spring (Trigger Handle)	1
7	636233001	Washer (ID8.5 x OD20.5 x 2 mm x 2t).....	4	34	694991001	Compression Spring (Trigger).....	1
8	678774012	Flange Lock Nut (M8 x 1.25 mm).....	4	35	203889001	Trigger Assembly.....	1
9	694988002	Lower Handle	2	36	311340001	Upper Handle Assembly	1
10	203885001	End Cap Set (22 mm).....	1	37	694136002	Compression Spring	1
11	661189003	Screw (4 x 18 mm, T15 Torx Pan Hd.).....	16	38	529322001	Safety Button	1
12	528361002	Spring Pin Adjustment Knob.....	2	39	940686159	Start Label.....	1
13	662322001	Screw (M8 x 73 mm, T40 Torx Button Hd.)....	2	40	203891001	Chute Handle Assembly.....	1
14	526907002	Block Washer (ID10.4 x OD22 x 6.75t).....	2	41	636796001	Upper Rod.....	1
15	695012002	Left Middle Straight Tube	1	42	673437001	Hitch Pin.....	1
16	694986002	Right Middle Straight Tube.....	1	43	636795001	Lower Rod.....	1
17	760551002	Switch	1	44	673441001	Spring Pin.....	2
18	529298001	Locking Block.....	2	45	673438001	Detent Pin.....	2
19	563862001	Rubber Gasket	2	46	642586001	Spring Pin Housing	2
20	529328002	Handle Tube Bushing	2	47	940705286	Logo Label	1
21	529327001	Straight Tube Bushing.....	2	48	529290001	Chute Support (Plastic)	1
22	529293001	Telescoping Latch	2	49	790009004	Wire Connector	2
23	694490001	Compression Spring	2	Not Shown:			
24	621895001	Pin	2	995000565		Operator's Manual	
25	270079001	Wiring Assembly.....	1	7-16-18			
				(Rev:01)			

RYOBI SNOW BLOWER – ITEM NUMBER RY40805



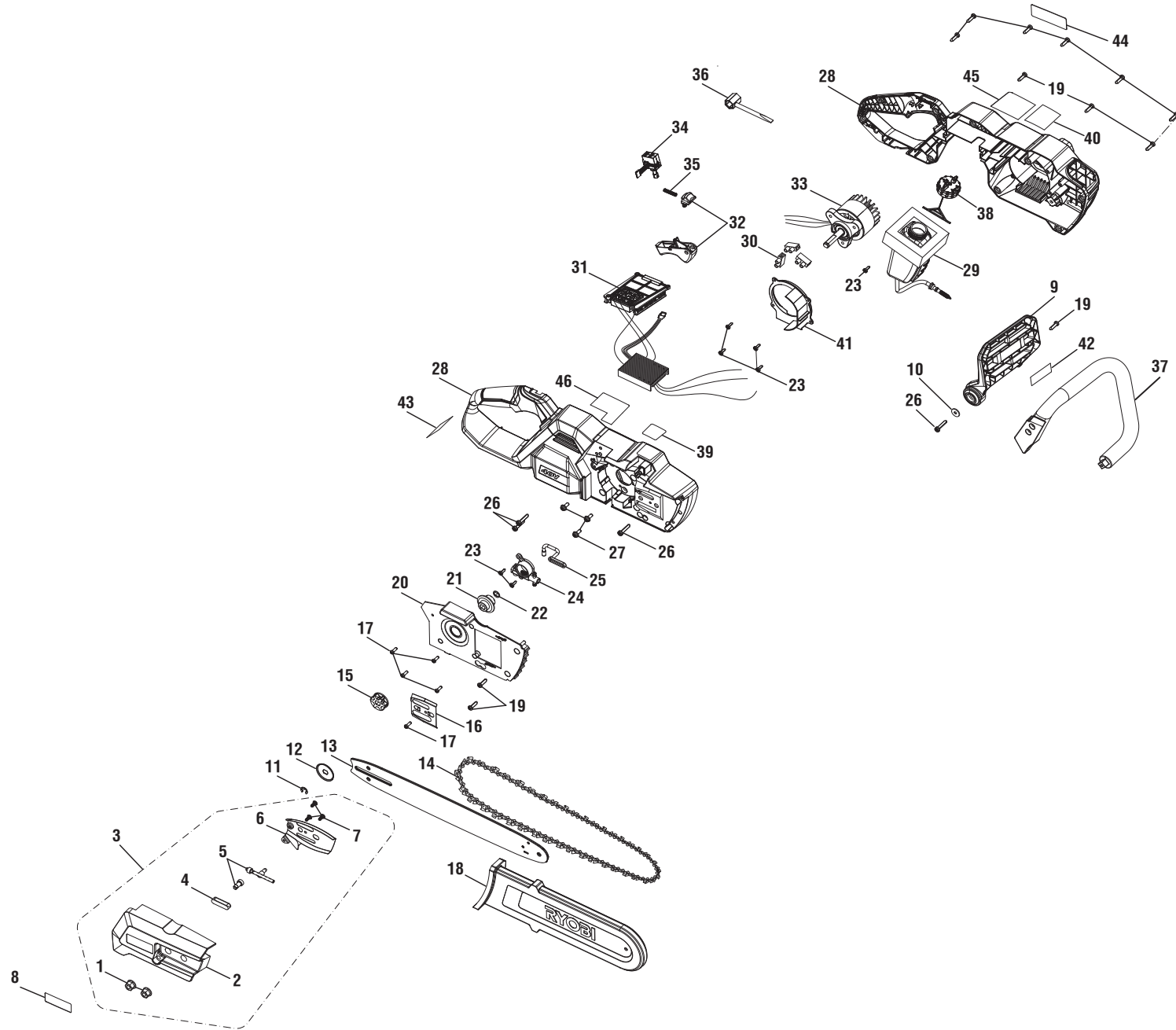
WIRING DIAGRAM

RYOBI
40 VOLT CHAIN SAW
Mfg. No. 107507001
Item No. RY40503
REPAIR SHEET

TECHTRONIC INDUSTRIES POWER EQUIPMENT

P.O. Box 1288, Anderson, SC 29622 USA
1-800-860-4050 • www.ryobitools.com

RYOBI 40 VOLT CHAIN SAW – MODEL NUMBER RY40503



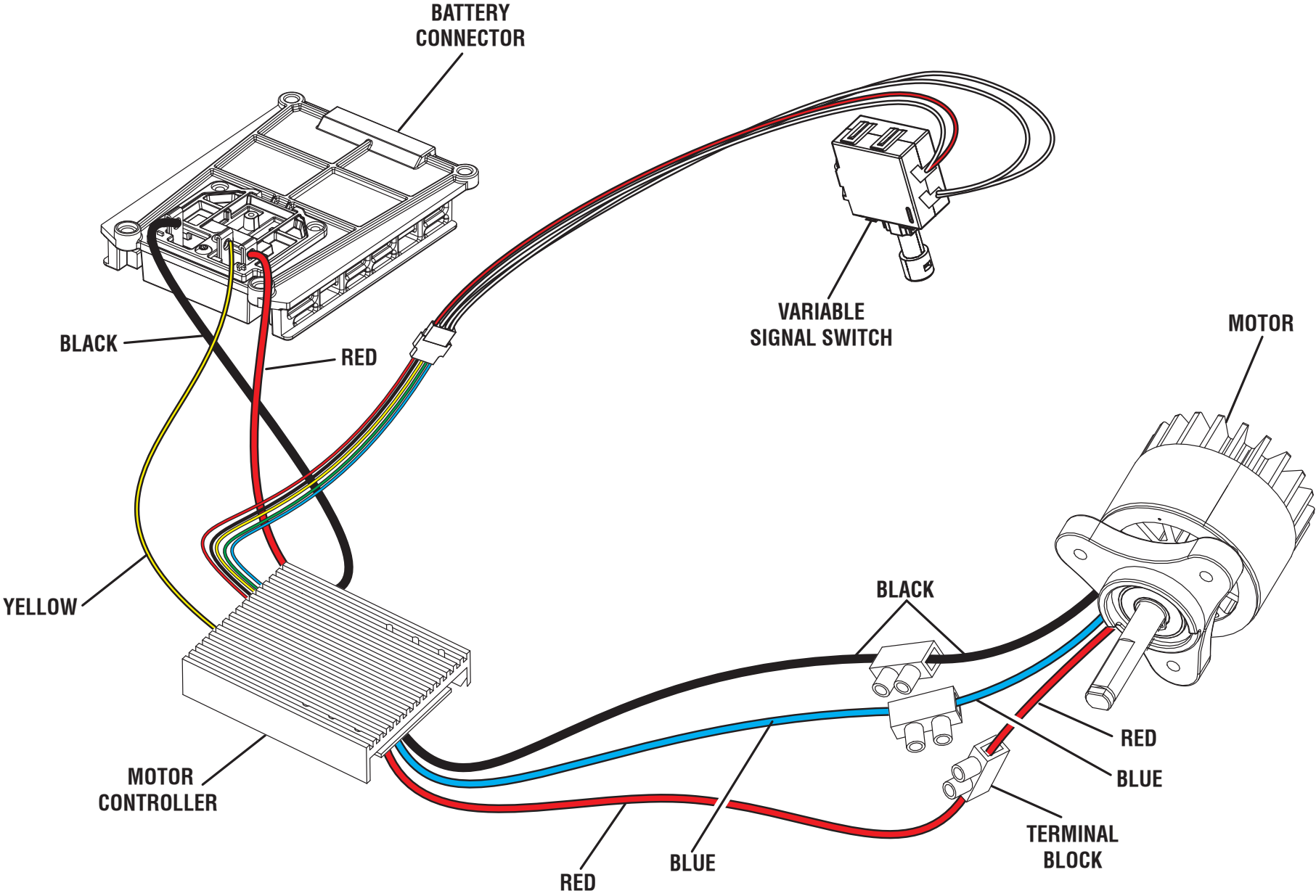
RYOBI 40 VOLT CHAIN SAW – MODEL NUMBER RY40503

The model number will be found on a label attached to the motor housing. Always mention the model number in all correspondence regarding your **CHAIN SAW** or when ordering repair parts.

PARTS LIST

KEY NO.	PART NUMBER	DESCRIPTION	QTY	KEY NO.	PART NUMBER	DESCRIPTION	QTY
1	678339003	Hex Nut (5/16-18)	2	26	662053001	Screw (M5 x 25, T25 Torx Pan Hd.)	4
2	205119001	Bar Cover (Inc. Key No. 8)	1	27	662052002	Screw (M5 x 8 mm, T25 Torx Pan Hd.)	3
3	205118001	Bar Cover Assembly (Inc. Key Nos. 1-2 & 4-8)	1	28	205116001	Housing Assembly (Inc. Key Nos. 39-40 & 43-46)	1
4	563443001	Rubber Plate	1	29	314746001	Oil Tank Assembly	1
5	205120001	Driving Adjustment Gear Assembly	1	30	900876003	Terminal Block	3
6	658138001	Guide Plate	1	31	314747001	Motor Controller and Battery Connector Assembly	1
7	660922001	Screw (M4 x 12 mm, T20 Torx Pan Hd.)	3	32	205117001	Switch Trigger & Lock Out Button Assembly	1
8	941851104	Bar Cover Logo Label	1	33	742089004	Motor	1
9	205115001	Guard Assembly (Inc. Key No. 42)	1	34	760579005	Switch	1
10	638988001	Washer	1	35	694143001	Spring	1
11	636159001	E-ring	1	36	612330001	Wrench	1
12	635367001	Cap Washer	1	37	537276001	Front Handle	1
13	314675001	Bar (14 in.)	1	38	306888001	Oil Tank Cap Assembly	1
14	682006004	Chain (14 in.)	1	39	941851111	Warning Icon Label (Right)	1
15	612313001	Sprocket	1	40	941851110	Warning Icon Label (Left)	1
16	635335001	Guide Bar Plate	1	41	537280001	Volute Cover	1
17	662083001	Screw (M4 x 12 mm, T20 Torx Pan Hd.)	5	42	941851105	Logo Label	1
18	580491001	Scabbard	1	43	941851106	Data Label	1
19	662051001	Screw (M5 x 19 mm, T20 Torx Pan Hd.)	12	44	941851102	Motor Side Logo Label	1
20	537277001	Cover Housing	1	45	941851109	Warning Label (English/Spanish, Left)	1
21	537485001	Oil Pump Drive	1	46	941851108	Warning Label (English/French, Right)	1
22	658198001	Washer	1	Not Shown:			
23	660608001	Screw (M4 x 12 mm, T-20 Torx Pan Hd.)	7	995000684	Operator's Manual		
24	309516002	Oil Pump	1	12-18-18			
25	565069001	Oil Output Tube	1	(Rev:01)			

RYOBI 40 VOLT CHAIN SAW – MODEL NUMBER RY40503



WIRING DIAGRAM

RYOBI
40 Volt Power Head
Item No. RY40006/RY40006VNM
Mfg No. 314778002/314778101
Repair Sheet

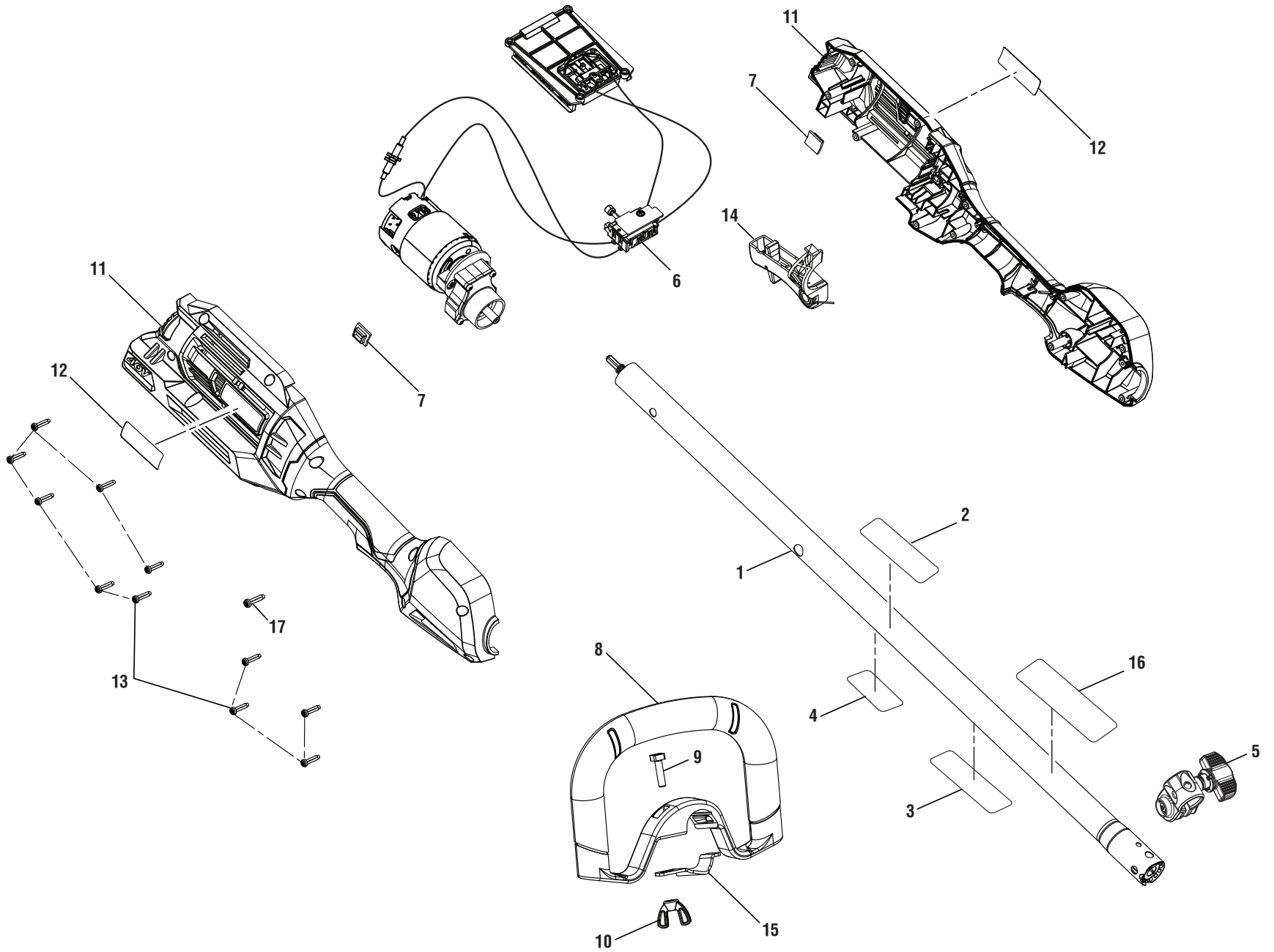
TECHTRONIC INDUSTRIES POWER EQUIPMENT

P.O. Box 1288, Anderson, SC 29622

Phone 1-800-860-4050

www.ryobitools.com

RYOBI POWER HEAD – ITEM NO. RY40006/R40006VNM

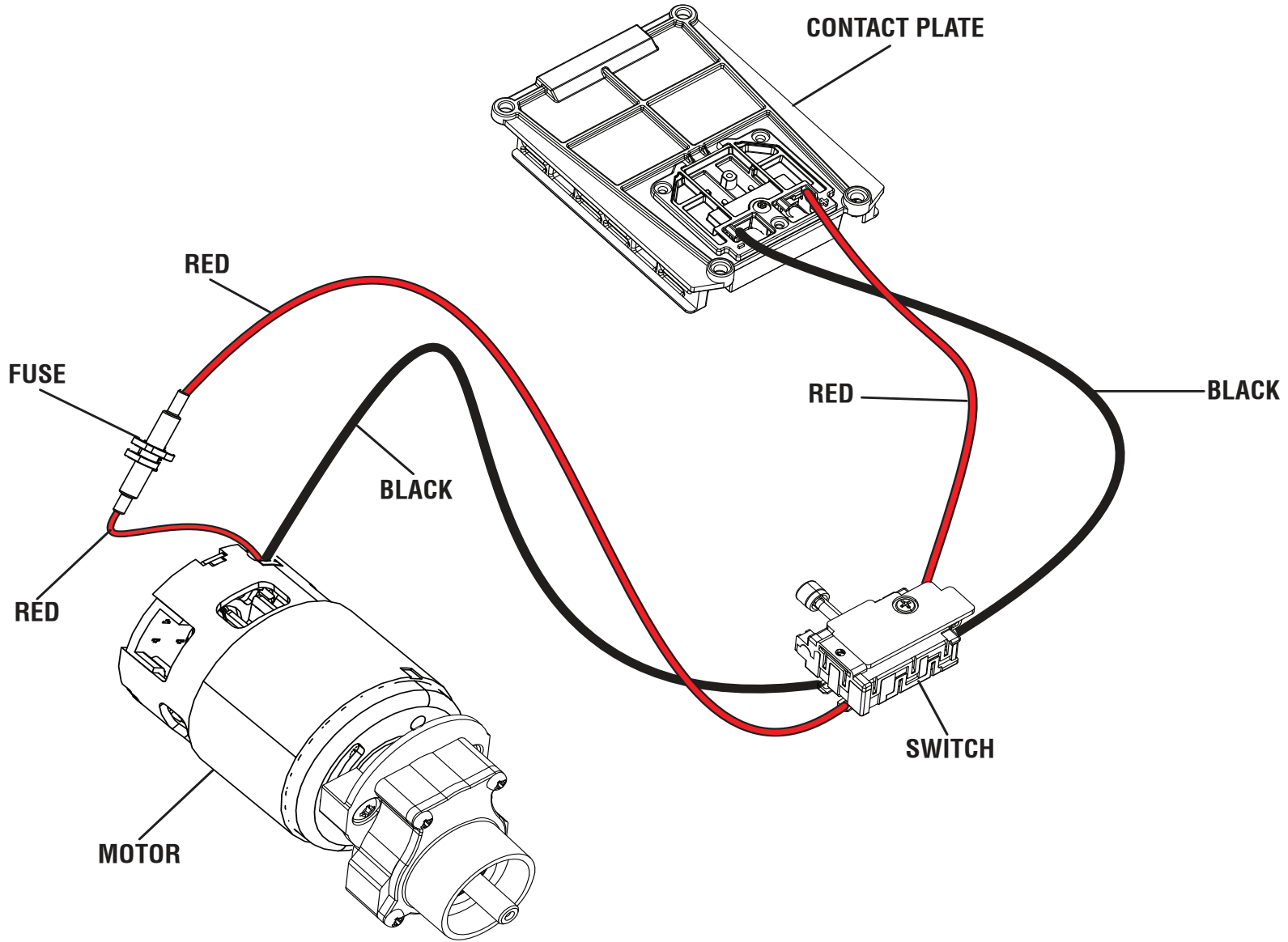


RYOBI POWER HEAD – ITEM NO. RY40006/RY40006VNM

The item and manufacturing number will be found on a label attached to the boom assembly. Always mention the item and manufacturing number of your **POWER HEAD** when requesting service or ordering repair parts.

PARTS LIST

KEY NO.	PART NUMBER	DESCRIPTION	QTY
1	314829002	Boom Assembly (Inc. Key Nos. 2-4 and 16, RY40006)	1
	315832001	Boom Assembly (Inc. Key Nos. 2-4 and 16, RY40006VNM)	1
2	941013004	Warning Icon Label	1
3	941013005	Warning Label (French/Spanish)	1
4	941588367	Data Label (RY40006)	1
	941588476	Data Label (RY40006VNM)	1
5	314562001	Boom Clamp Assembly	1
6	314832002	Motor, Gear Box, Switch & Contact Plate Assembly	1
7	570115001	Rubber Plate	2
8	308056009	Front Handle Assembly (Inc. Key Nos. 9-10 & 15).....	1
9	660857001	Screw (1/4-20 x 40 mm, Hex Hd.).....	1
10	518949001	Wing Nut (1/4-20).....	1
11	314830001	Rear Handle Assembly (Inc. Key No. 12)	1
12	940705432	Logo Label	2
13	661864007	Screw (M4 x 18 mm, T15 Torx Pan Hd.)	11
14	314833001	Switch Trigger Assembly.....	1
15	639167001	Assist Handle Clamp.....	1
16	941851150	Attachment Label.....	1
17	660031017	Screw (M3.5 x 16 mm, T10 Torx Pan Hd.)	1
	Not Shown		
	995000659	Operator's Manual	
	11-21-19		
	(Rev:02)		

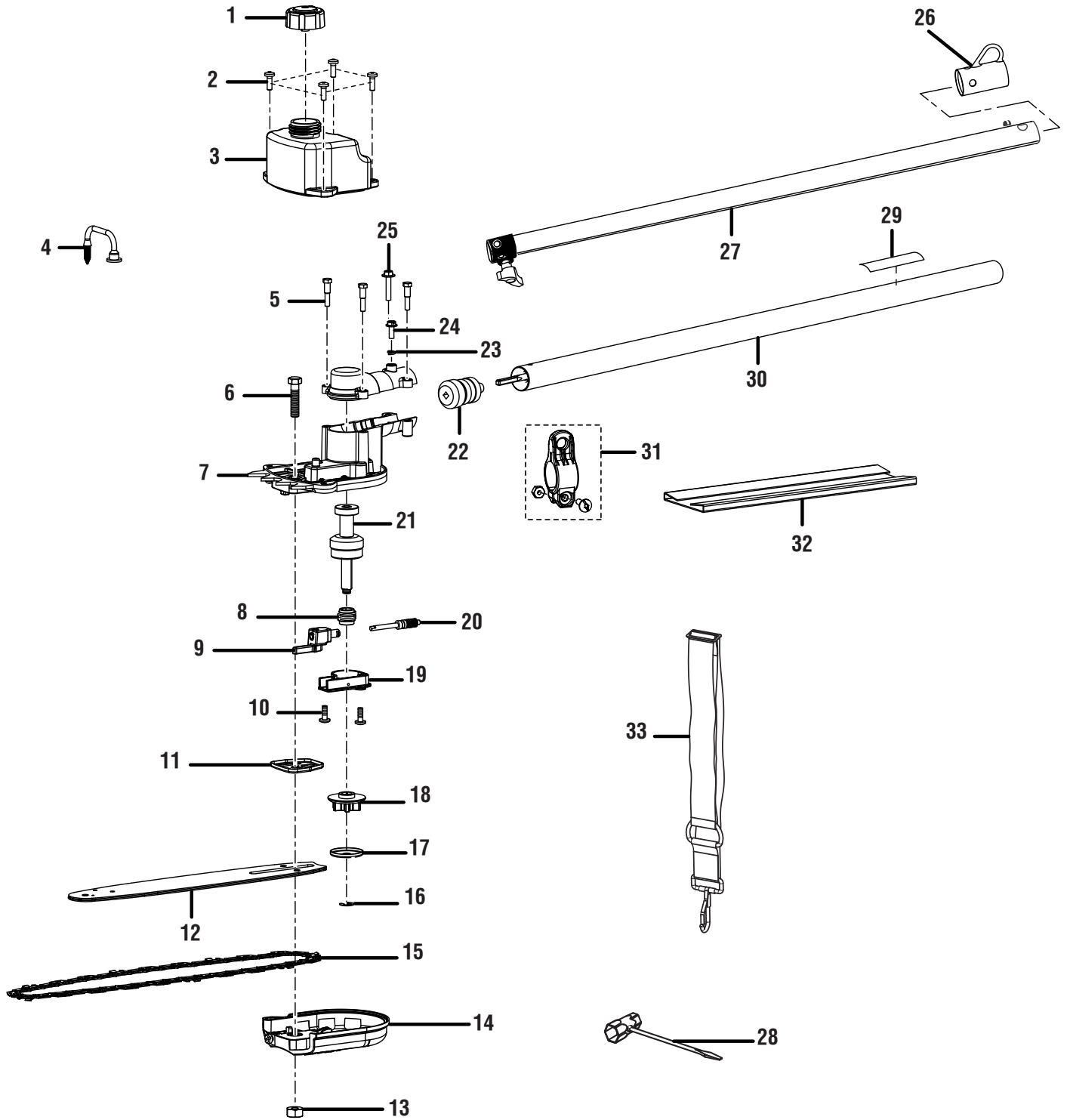


WIRING DIAGRAM

RYOBI EXPAND-IT
Pruner Attachment
Item No. RYPRN33/RYPRN33VNM
Mfg. No. 090112021/095112101
Repair Sheet

TECHTRONIC INDUSTRIES POWER EQUIPMENT
P.O. Box 1288
Anderson, SC 29622 USA
1-800-860-4050

RYOBI EXPAND-IT PRUNER ATTACHMENT - ITEM NO. RYPRN33/RYPN33VNM



RYOBI EXPAND-IT PRUNER ATTACHMENT – ITEM NO. RYPRN33/RYPN33VNM

The item number and manufacturing number can be found on a label attached to the unit. Always mention the item number and manufacturing number in all correspondence regarding your **PRUNER ATTACHMENT** or when ordering repair parts.

PARTS LIST

KEY NO.	PART NUMBER	DESCRIPTION	QTY
1	308680008	Oil Cap Assembly	1
2	660934003	Screw (M5 x 18 mm)	4
3	580877001	Oil Tank Cover Assembly	1
4	570714001	Oil Pickup Tube	1
5	660913001	Screw (M5 x 25 mm)	3
6	660910002	Screw (M8 x 35 mm)	1
7	308532002	Gear Case Assembly	1
8	610617001	Worm Gear	1
9	308523001	Oil Pump Seal Assembly	1
10	660912001	Screw (M5 x 13 mm)	2
11	638282001	Bar Pad Plate	1
12	671834023	Guide Bar	1
13	678355001	Hex Nut (M8 x 1.25, Special).....	1
14	120530013	Bar Clamp Assembly.....	1
15	693814001	Chain (10 in.).....	1
16	678354001	E-Ring (Ø6 mm).....	1
17	631060001	Cupped Washer.....	1
18	610618001	Sprocket	1
19	308520001	Oil Pump Housing w/Cam Pin Assembly	1
20	308524001	Pinion Gear and Plunger Assembly.....	1
21	308519001	Output Shaft Assembly	1
22	308514001	Pinion and Bearing Assembly	1
23	678284001	Lock Washer (5 mm).....	1
24	660911001	Screw (M5 x 15 mm)	1
25	660935001	Screw (M5 x 25 mm)	1
26	518019002	Hanger Cap	1
27	308010021	Intermediate Boom Assembly (Inc. Key No. 26)	1
28	631055001	Combination Wrench.....	1
29	940657030	Warning Label	1
30	316404001	Lower Drive Shaft Assembly (Inc. Key No. 29) ..	1
31	314811001	Strap Hanger	1
32	518405001	Scabbard.....	1
33	308487001	Shoulder Strap	1

NOT SHOWN:

991000570 Operator's Manual
 3-25-20
 (Rev:02)