

WHOLE HOUSE INSTALLATION KIT INSTRUCTION (Combo System)

- * Please read and become familiar with instructions and parts needed before proceeding with the installation.
- * Recommend using a Licensed Plumber to install these products.

COMPONENTS INCLUDED:



x 1
PIPE1001
Stainless Steel Flexible Pipe (1" D X 24" L)



x 1
V1001
John Guest Connector (1" NPT X 1" D)



x 2
PIPE1002
Quick Connection Stainless Steel Flexible Pipe (1" D X 24" L)



x 3
V1002
John Guest stem Connector (1" NPT X 1" D)



x 1
Teflon tape

QC = Quick Connection

I. PREPARING PRE-FILTER HOUSING FOR INSTALLATION INSTRUCTIONS.

Step 1. Please wrap Teflon tape 1-2 times on the thread of V1001 and V1002. See **Fig.1**.

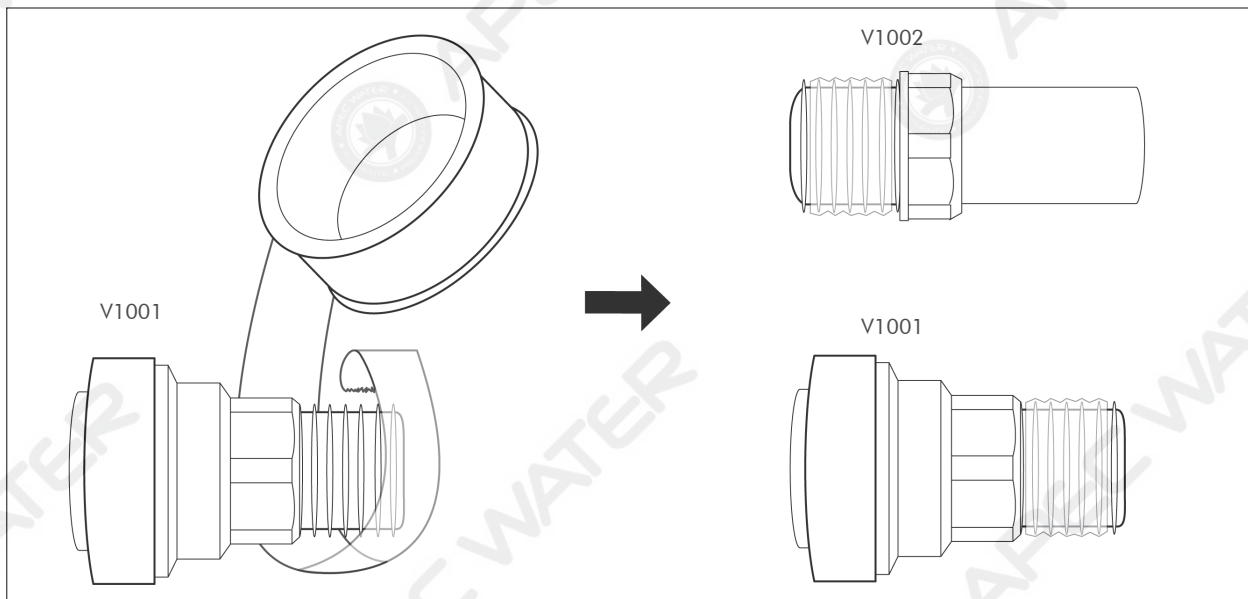


Fig.1

Step 2. Screw V1001 into the housing INLET connection, and screw V1002 into the housing OUTLET connection. See **Fig.2**.

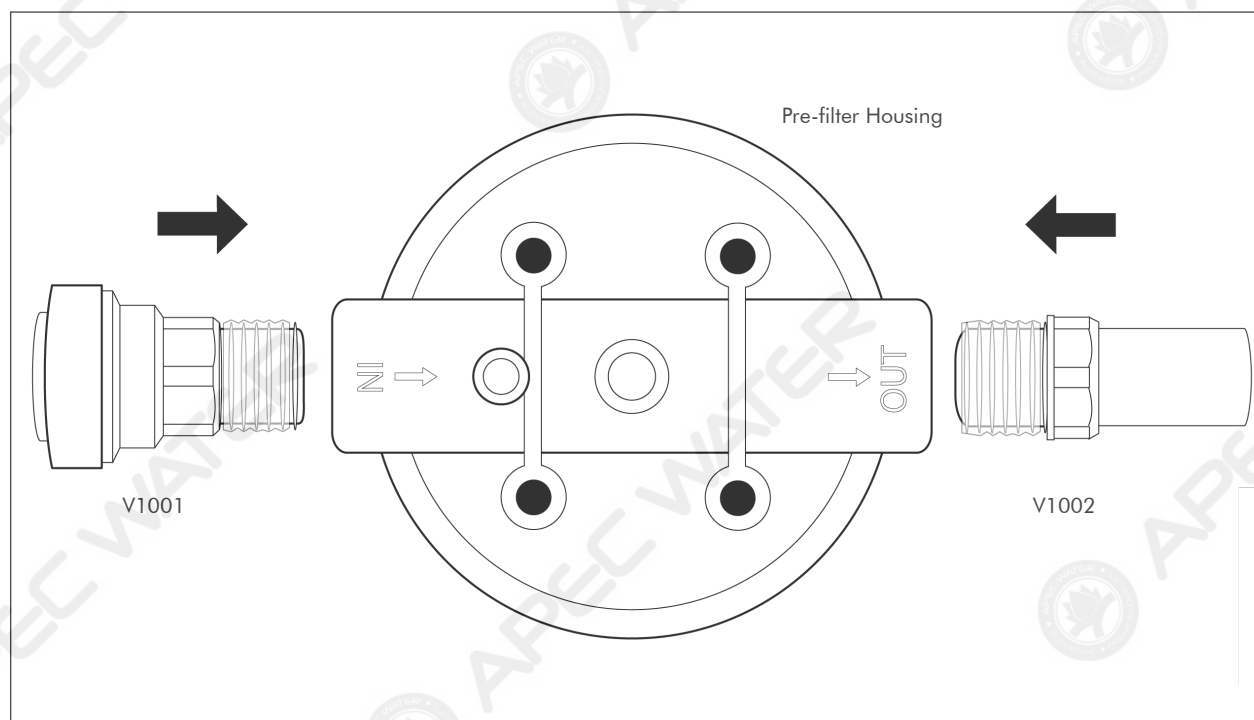


Fig.2

Step 3. Hand-tighten V1001 and V1002, using a wrench to tighten with 1-2 turns. (Do not over tighten) See **Fig.3**.

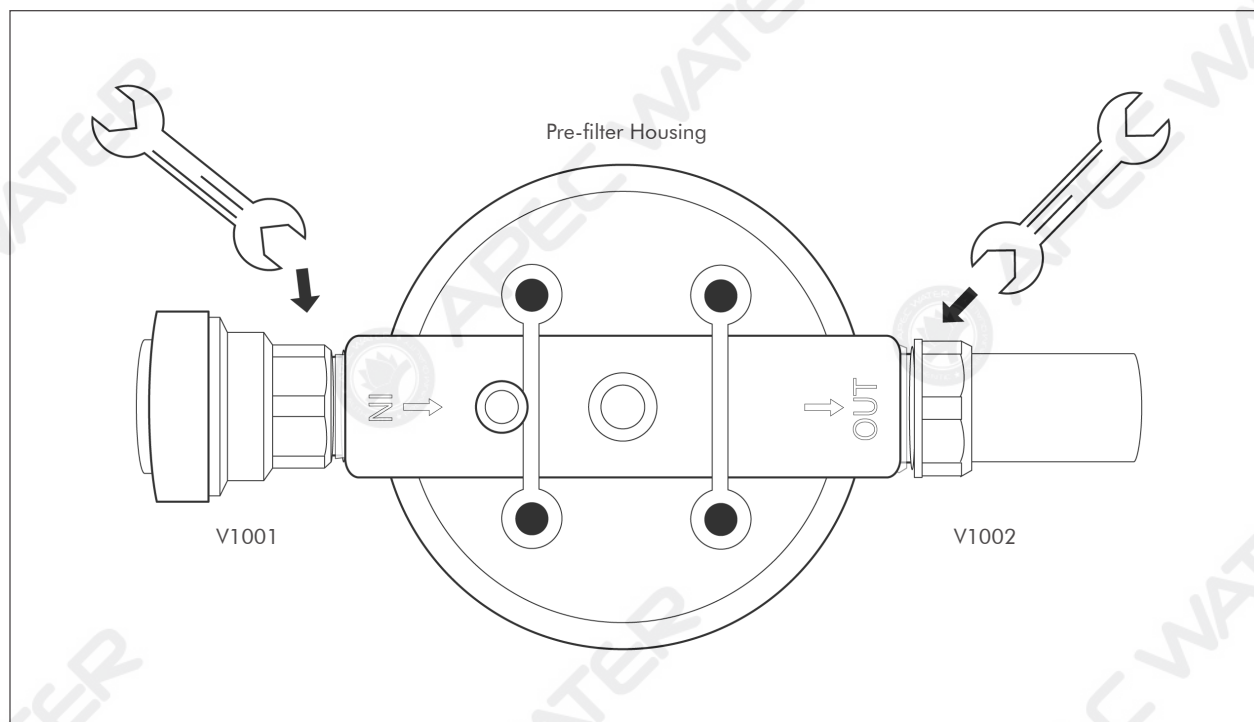


Fig.3

II. INSTALLATION INSTRUCTION:

Step 1. Connect the main water pipe into the Pre-filter Housing INLET securely just by pushing the pipe into V1001. After inserting pipe, please slightly pull on the pipe to ensure the water pipe connection is completely secured. See **Fig.4**.

Step 2. Push PIPE1002 Quick Connect port into the Pre-filter Housing OUTLET of V1002, please slightly pull on the flexible pipe to ensure the flexible pipe connection is completely secured. See **Fig.4**.

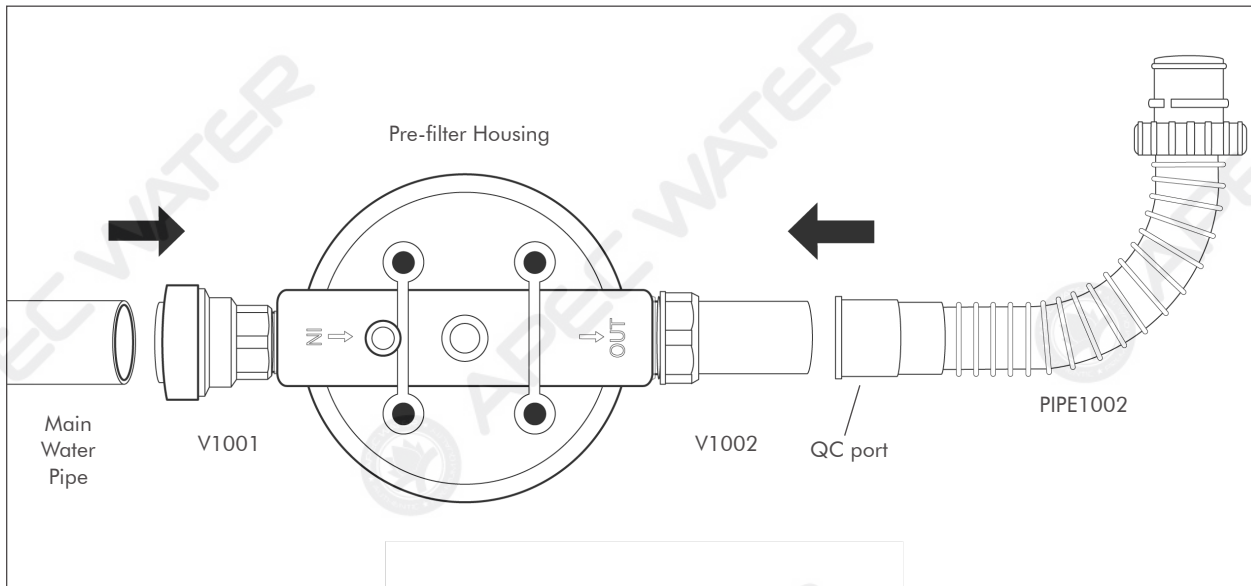


Fig.4

PLEASE NOTE: If your whole house water system does not come with pre-filter please push the main water pipe directly into PIPE1002 Quick Connect port. After inserting the pipe, please slightly pull on the pipe to ensure the water pipe connection is completely secured. Please see **Fig.4A**.

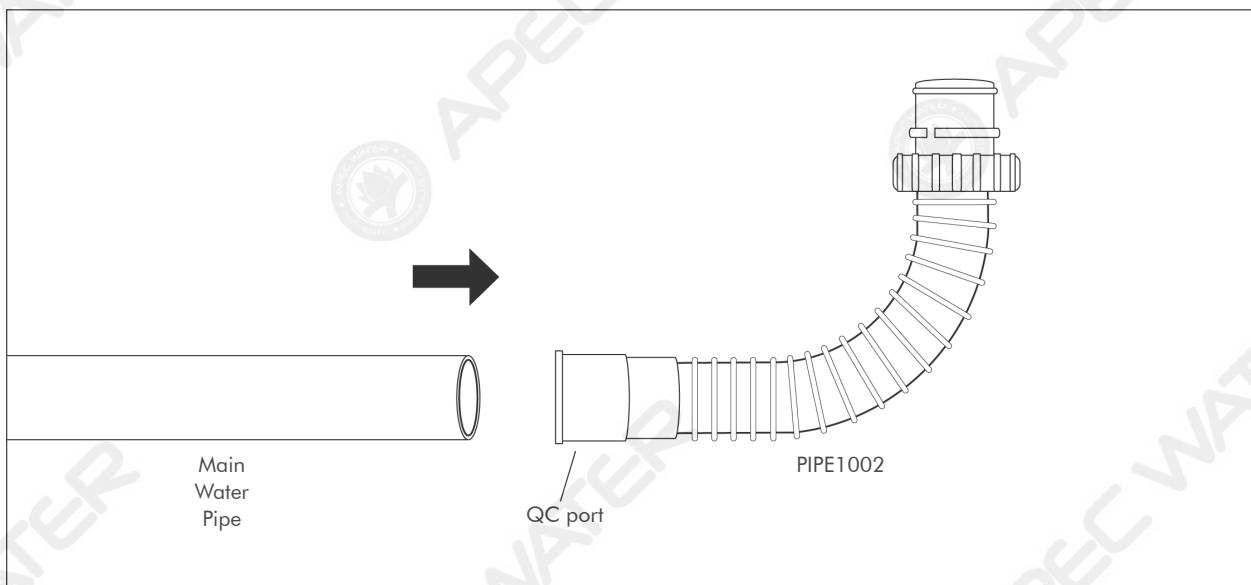


Fig.4A

Step 3. Connect flexible pipe PIPE1002 from the Pre-filter Housing OUTLET, into the INLET of the bypass valve on the Stage 1 water treatment system, screw the compression fitting. See **Fig.5**.

Step 4. Connect PIPE1001 into the OUTLET of the Stage 1 bypass valve, and connect the other compression port into the INLET of Stage 2 bypass valve. Hand-tightening is recommended. See **Fig.5**.

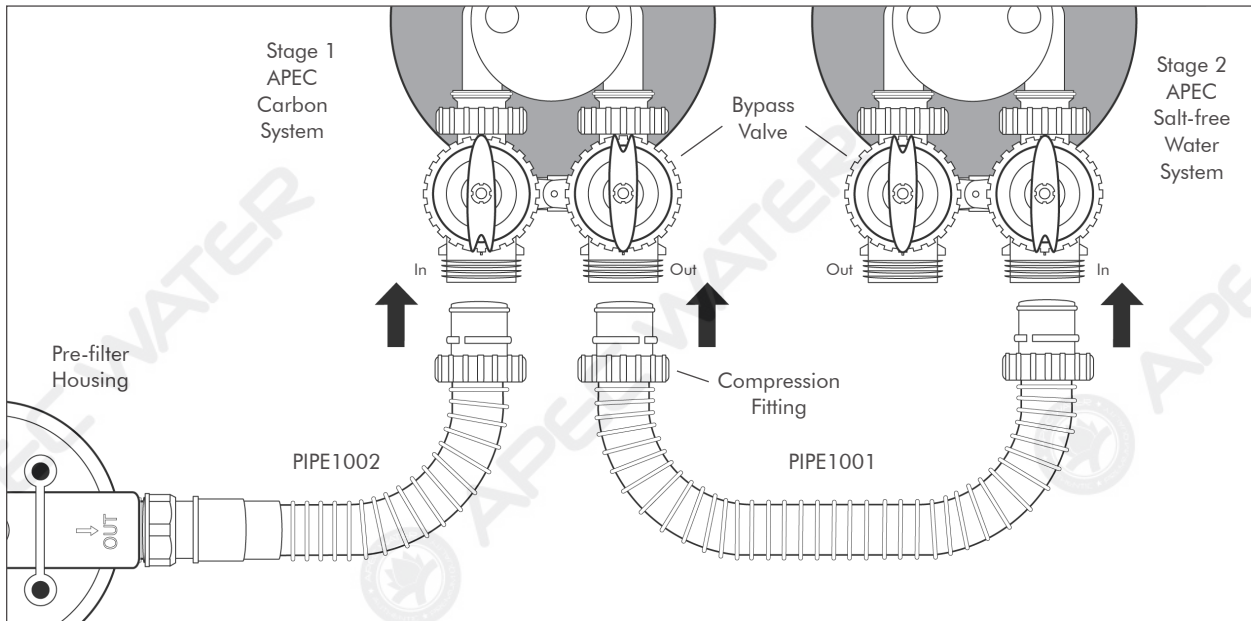


Fig.5

Step 5. Connect PIPE1002 into the OUTLET of Stage 2 bypass valve, screw the compression fitting. Hand-tightening is recommended. See **Fig.6**.

Step 6. Connect PIPE1002 into water pipe going into the home. Push the flexible pipe QC port into water pipe, please slightly pull on the pipe to ensure the pipe connection is completely secured. See **Fig.6**.

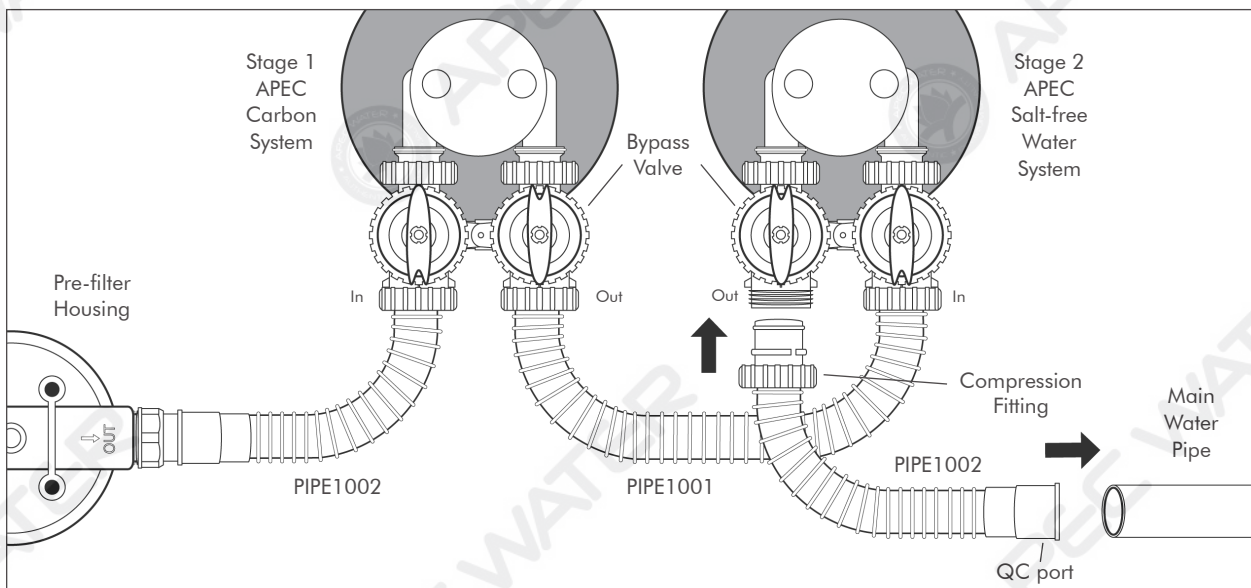


Fig.6

SPECIAL NOTE FOR HOMES WITH PVC PIPE ONLY:

Quick Connection port is designed to ONLY connect to COPPER, CPVC, and PEX pipe. We have included 2 additional V1002 (stem connector) to connect your PVC pipe to the whole house connection kit. You can quickly insert the V1002 stem end into QC port of PIPE1002 and INLET side of pre-filter housing and thread your PVC adapter to the 1" Male threaded NPT End of V1002. See **Fig.7**.

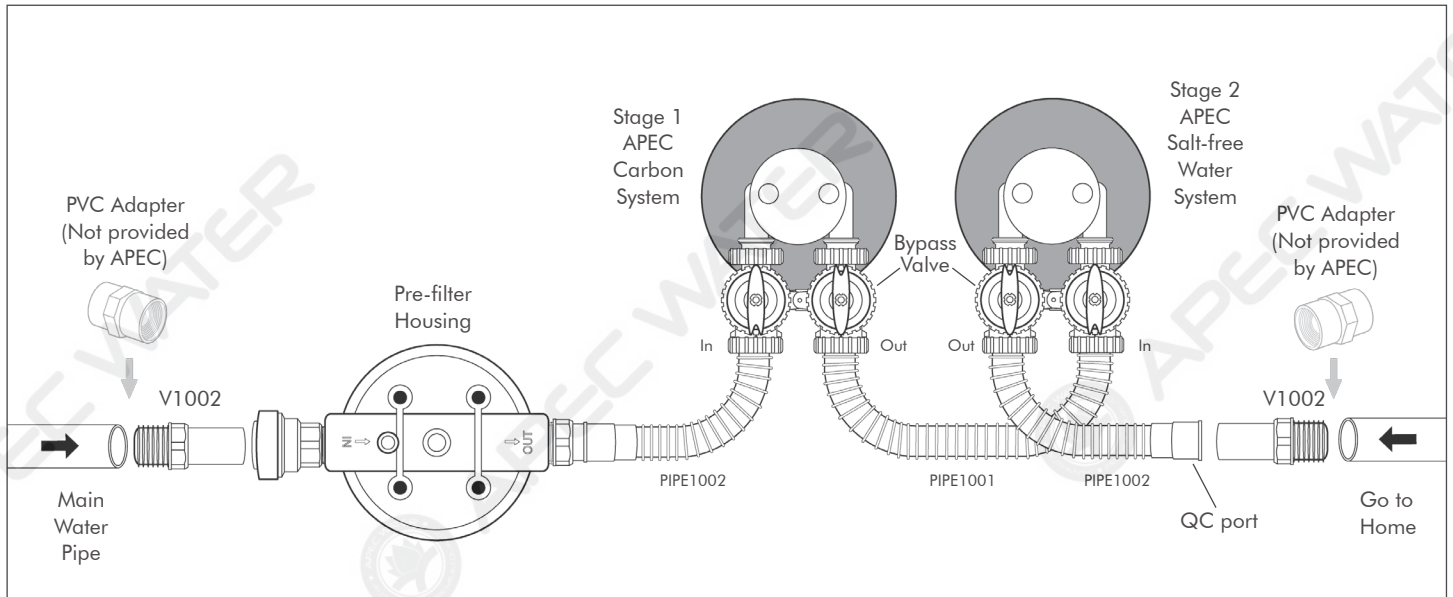


Fig.7

PLEASE NOTE: If you are using APEC Salt Water Softener or non-APEC whole house system, the inlet/outlet connections can be different for stage 2. Please see **Fig.8**.

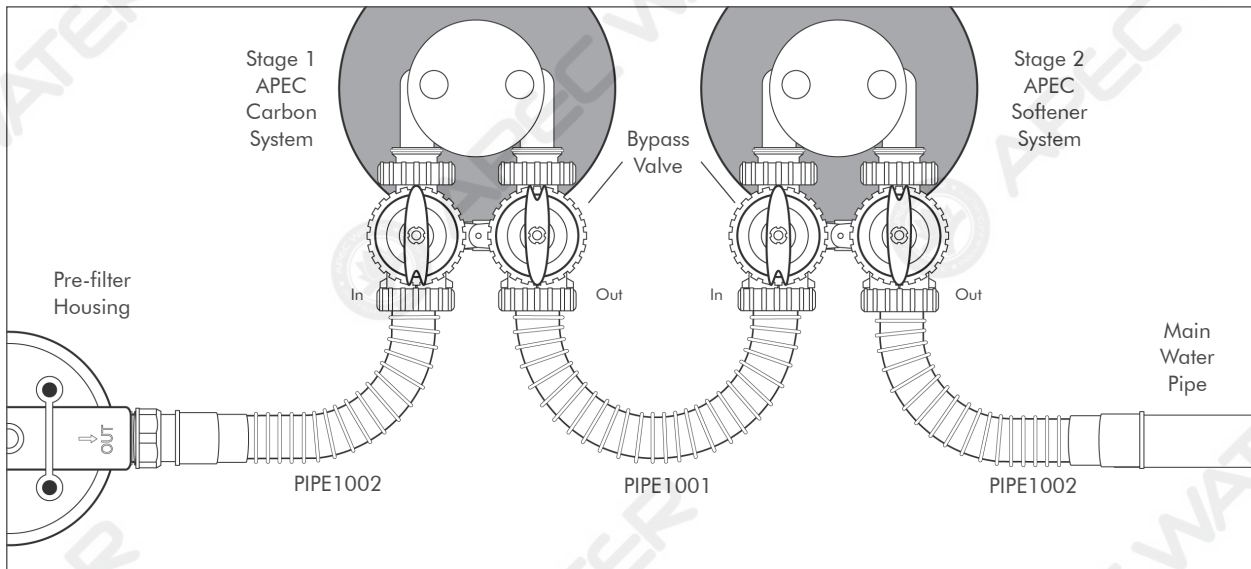


Fig.8

Great job! You have successfully completed the whole house system installation.