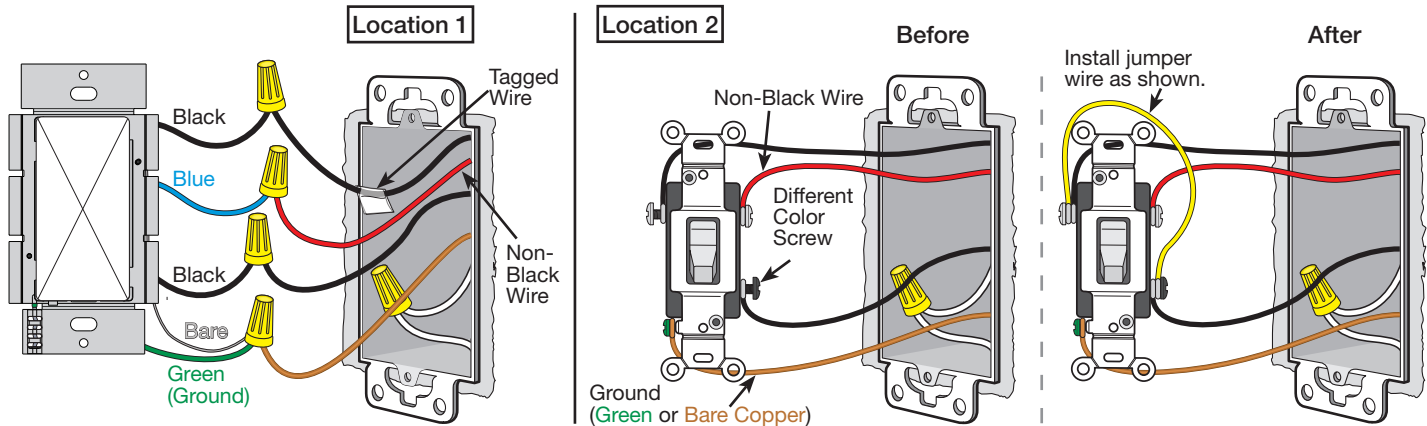


Image #80 — Sensor Switch with Two Black Wires and One Blue Wire in a 3-Way Application with a Mechanical Switch

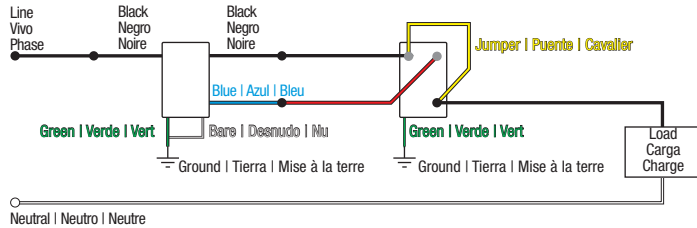


Continued on next page...

Not sure this is the correct wiring for your Lutron product?

For more information, refer to the Lutron [DIY Wiring Tool](#) or visit the [Lutron Support Center](#).

Image #80 — Sensor Switch with Two Black Wires and One Blue Wire in a 3-Way Application with a Mechanical Switch (continued)



Not sure this is the correct wiring for your Lutron product?

For more information, refer to the Lutron [DIY Wiring Tool](#) or visit the [Lutron Support Center](#).