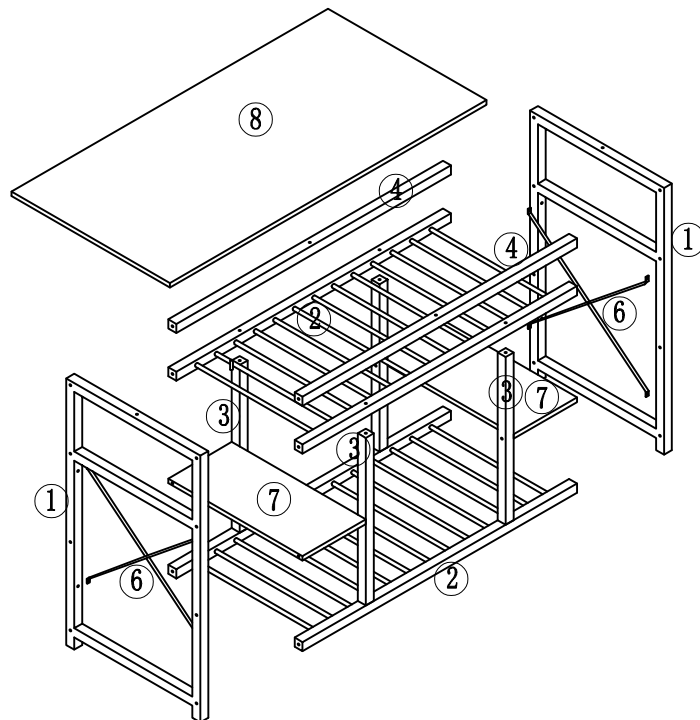
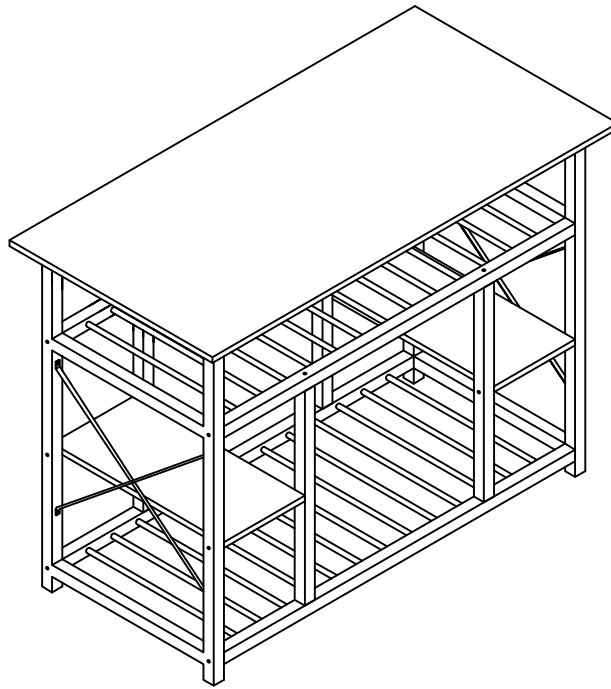
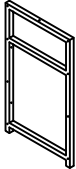
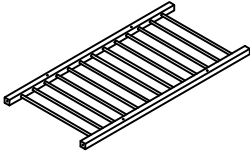

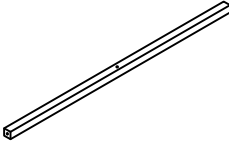

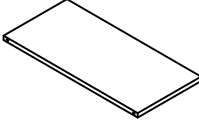
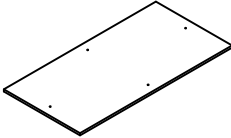


# ASSEMBLY INSTRUCTIONS




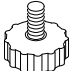



SKU: WF212865

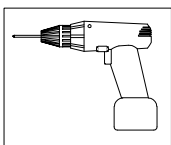


## Part List

				
① x2Pcs	② x2Pcs	③ x4Pcs	④ x2Pcs	⑥ x4Pcs
				
⑦ x2Pcs	⑧ x1Pc			

## Hardware List

					
M6x45	M6x40	M6x16	M8		4#
Ax28Pcs	Bx4Pcs	Dx10Pcs	Ex4Pcs	Fx2Pcs	Gx1Pc
					
Hx1Pc					



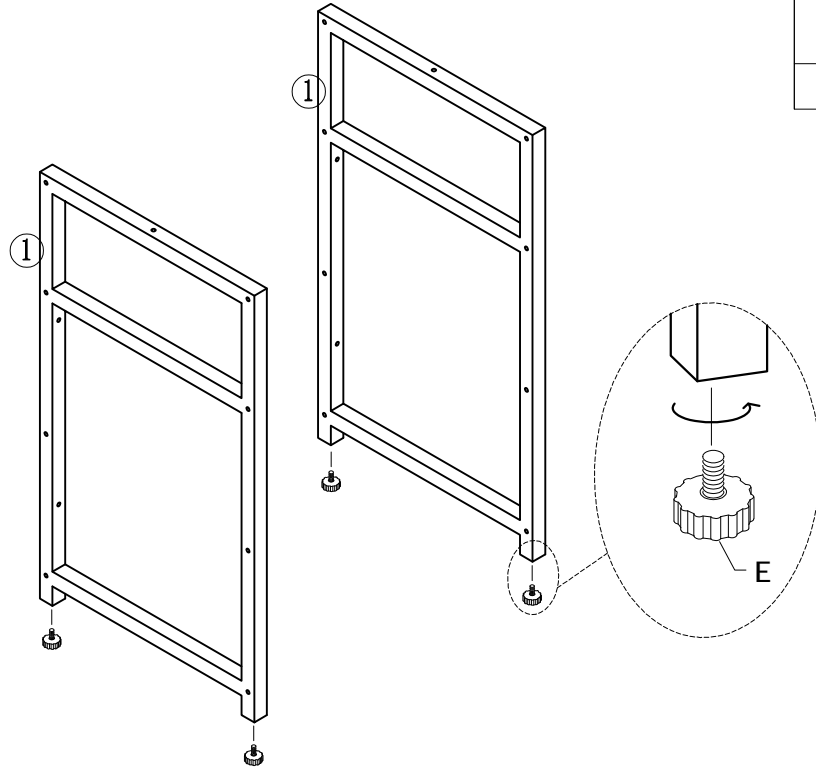
PLEASE BE CAREFUL. DO NOT DAMAGE THE HOLE POSITION WHEN YOU USE POWER TOOLS !

# Step 1

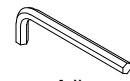


M8

Ex4Pcs



# Step 2



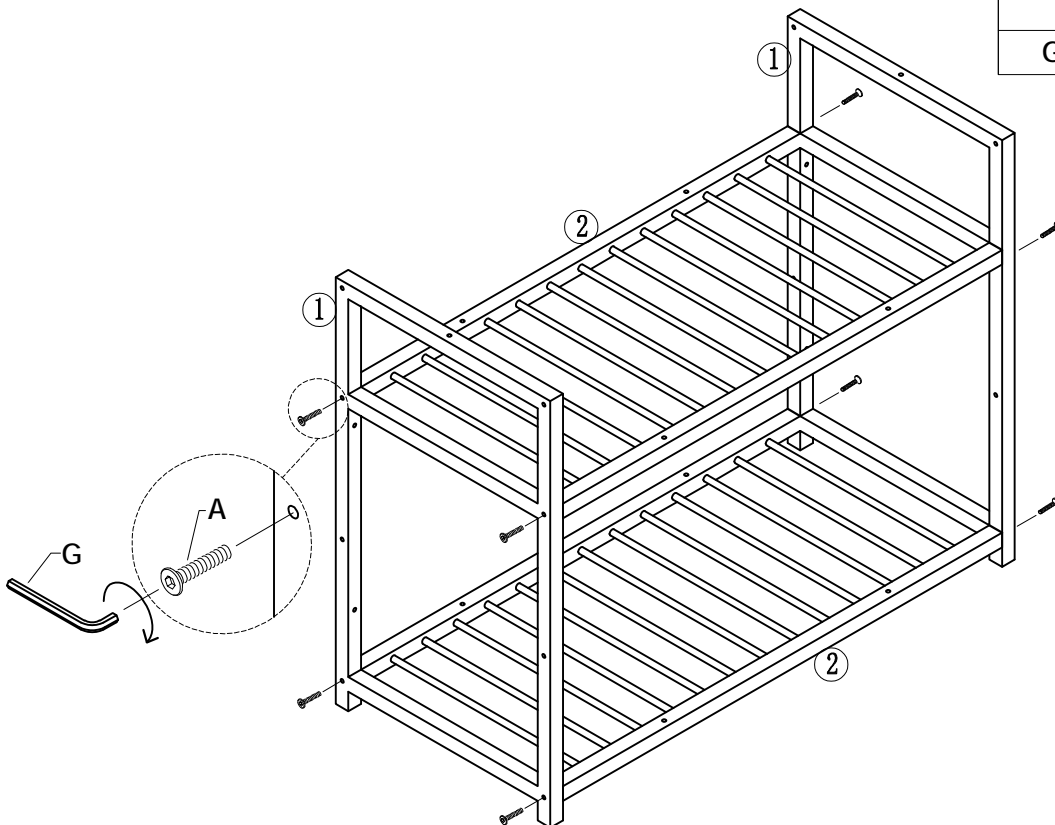
4#

Gx1Pc

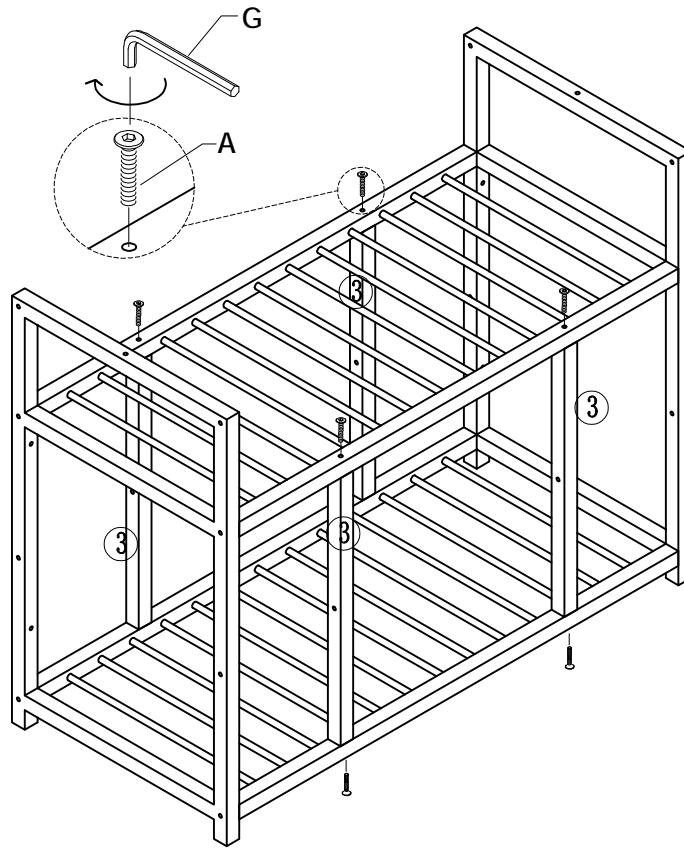



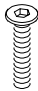
M6x45

Ax8Pcs

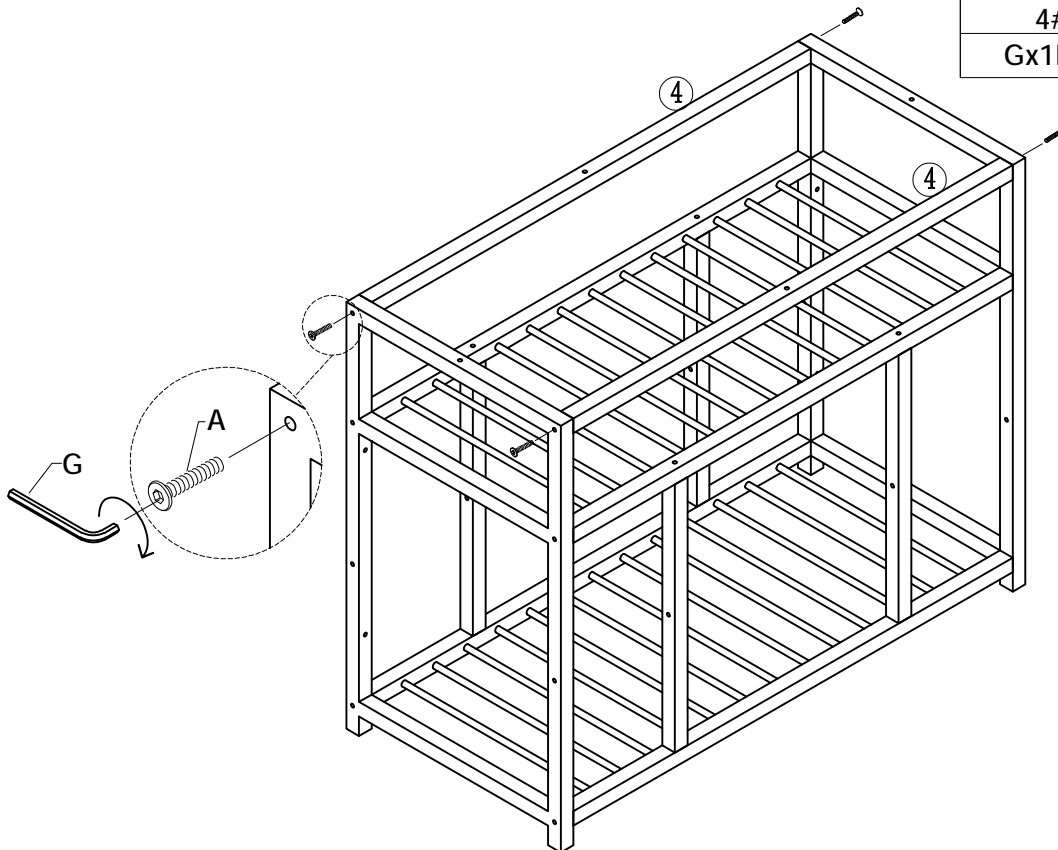


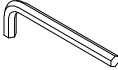

# Step 3



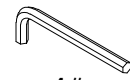
	
4#	M6x45
Gx1Pc	Ax8Pcs

# Step 4



	
4#	M6x45
Gx1Pc	Ax4Pcs

# Step 5



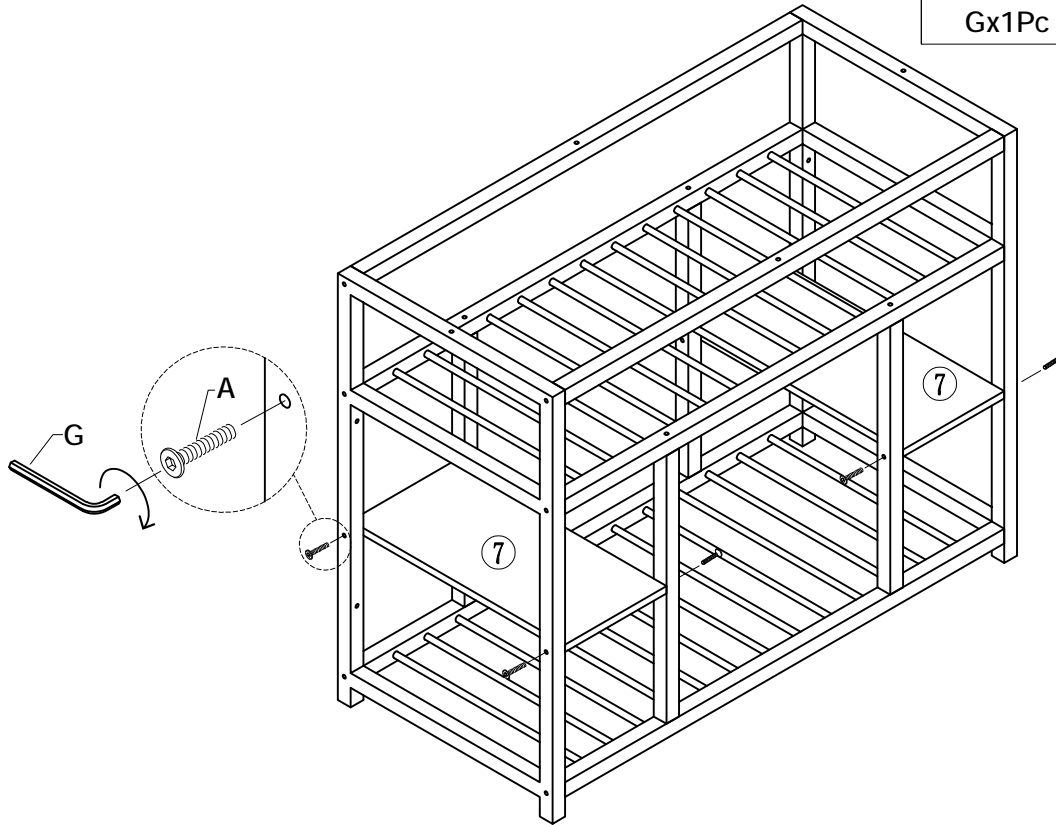
4#

Gx1Pc

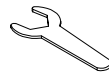


M6x45

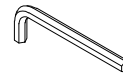
Ax8Pcs



# Step 6



Hx1Pc



4#

Gx1Pc

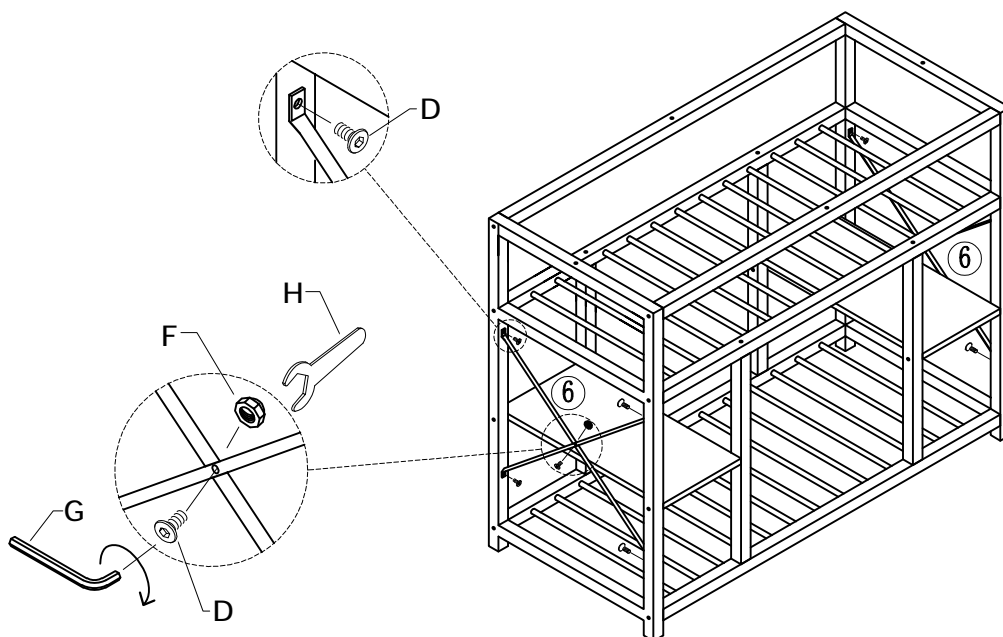


Fx2Pcs

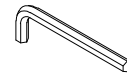


M6x16

Dx10Pcs



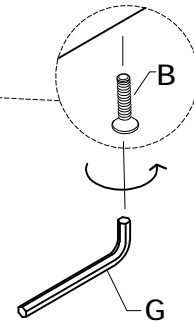
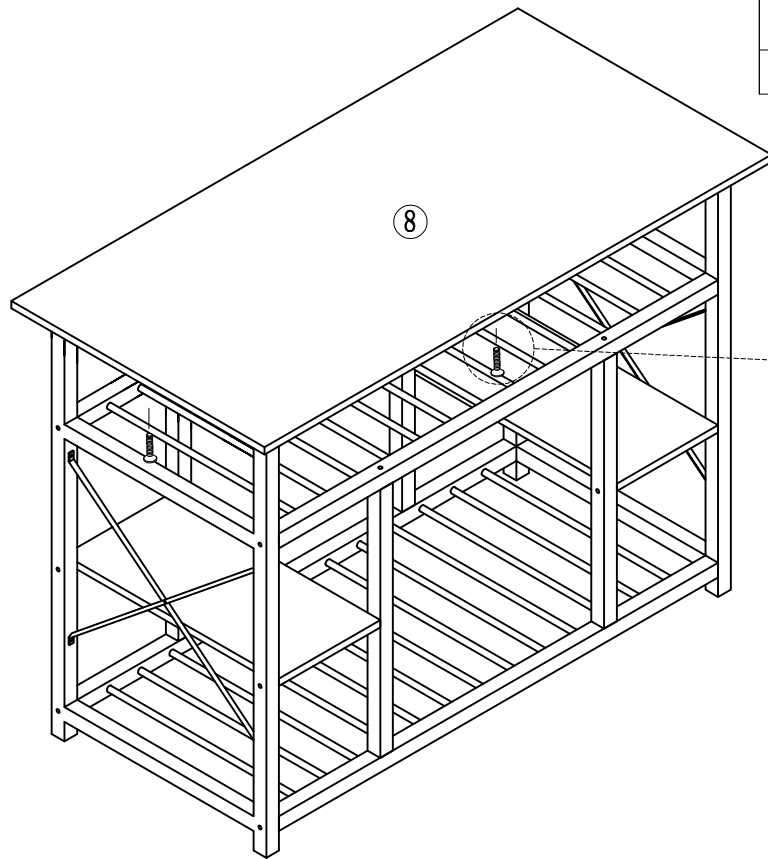
# Step 7



4#  
Gx1Pc



M6x40  
Bx4Pcs



# Step 8

