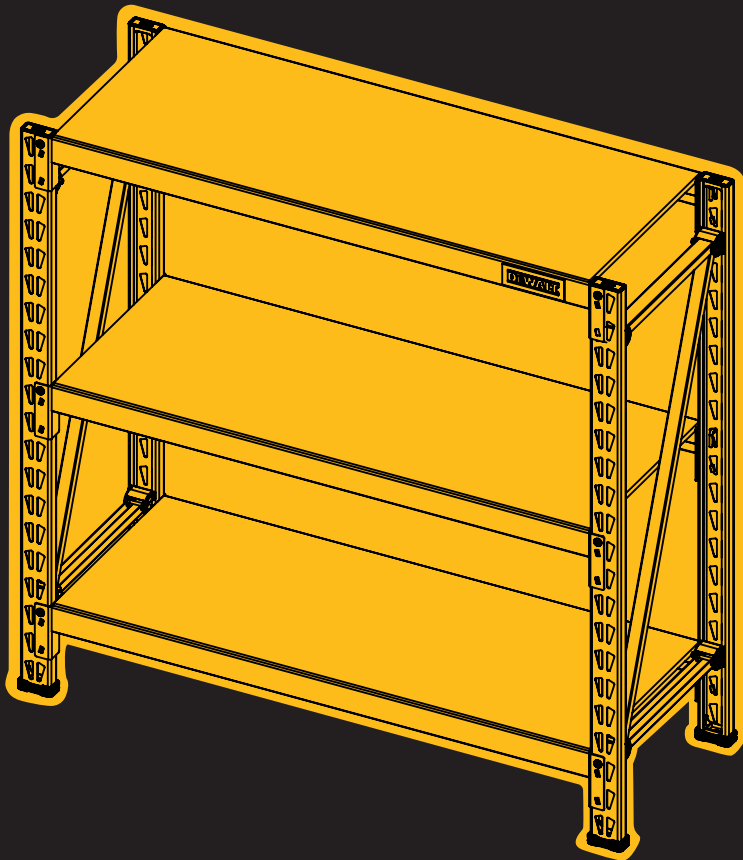


# DEWALT®

## TITAN INDUSTRIAL RACK 4-FOOT TALL / 3-SHELF



**DXST4500**

**IMPORTANT:**

Please read this manual carefully before assembling this storage rack and save it for reference

**INSTRUCTION  
MANUAL**



**TABLE OF CONTENTS**

TECHNICAL SPECIFICATIONS	4
SAFETY	5
PARTS LIST	6
ASSEMBLY	8
OPTIONS	13
WARRANTY	14

**SAVE THESE INSTRUCTIONS**

*This manual contains important safety and operating instructions. Read all instructions and follow them with use of this product.*

**TECHNICAL SPECIFICATIONS**

TOTAL CAPACITY	4500 lb (2041 kg) *WHEN WEIGHT IS EVENLY DISTRIBUTED
CAPACITY PER SHELF	1500 lb (680 kg) *WHEN WEIGHT IS EVENLY DISTRIBUTED
HEIGHT	47" (119.4 cm)
WIDTH	49 5/8" (126 cm)
DEPTH	18" (45.7 cm)
WEIGHT	70.55 lb (32 kg)

**GENERAL SAFETY**

- Keep work area clean and dry.
- Use correct/recommended tools for the job.
- Never leave running tools unattended.
- Never force a part into place.
- Wear safety apparel.
- Wear safety glasses/goggles.
- Never crawl, sit, stand, or climb on a rack.
- Keep small parts away from children. Never leave a small child unattended while assembling.
- Always use common sense – your personal safety is your responsibility.

**SPECIFIC SAFETY FOR WALL MOUNT BRACKET**

- Serious or fatal crashing injuries can occur from furniture tipping over. To prevent this, the rack must be secured to a wall, especially in earthquake-prone environments, where surfaces are uneven, and where children and/or pets are present.
- Different wall materials require different types of fasteners. Use fasteners suitable for your specific type of wall. If you are uncertain about what type of fasteners to use, then please contact your local hardware store.

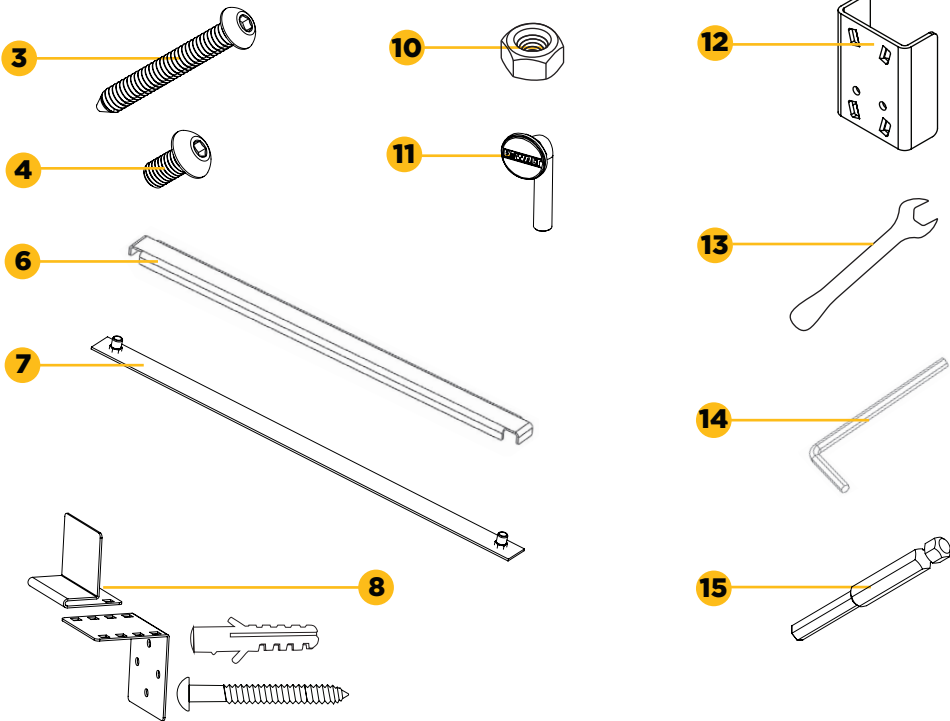
**DO NOT EXCEED THE FOLLOWING WEIGHT LIMITS FOR THIS RACK**

- Maximum load for each shelf: Up to 1,500 lb (680 kg) when weight is evenly distributed.



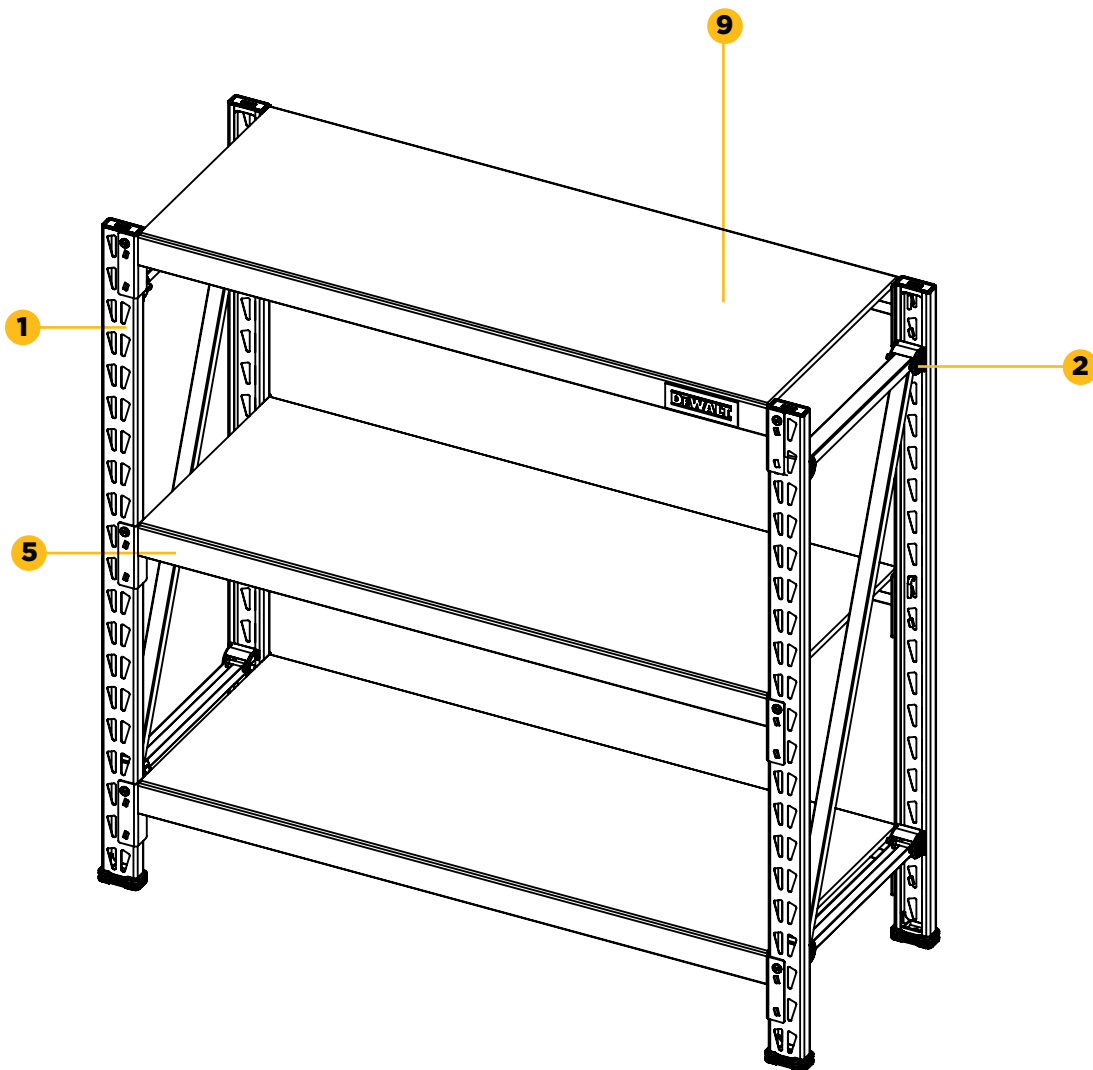
- *Save all warnings and instructions for future reference.*
- *This manual contains important safety and assembly instructions. Read all instructions and follow them with the use of this product.*

No.	Description	Qty.	No.	Description	Qty.
1	Vertical Beam	2	9	Wood Deck	3
2	Pre-Bolted Vertical Assembly	2	10	10mm Nut	2
3	Button-Head Cap Screw	14	11	Locking Shelf Pin	16
4	Button-Head Hex Bolt	2	12	Stacking Plate	2
5	Crossbeam	6	13	Wrench	1
6	Shelf Support Strap	9	14	4 mm Hex Key	1
7	Safety Strap With Weld Nut	6	15	4 mm Hex Bit	1
8	Wall Mount Bracket Assembly	1			



### BEFORE YOU BEGIN:

- Read all instructions thoroughly.
- Remove all components from the box, and lay them on the floor in an orderly fashion.
- Keep this information for further reference.
- If you are not stacking a second rack at this time, then please store the Stacking Plates for potential future use as they will be needed.



**Tools Required for Rack Assembly:** 4 mm Hex Key (included) OR 4 mm Hex Bit (included); Rubber Mallet (not included)

**EXPANDABLE UPRIGHT FRAME INSTRUCTIONS**

- Note: For ease of assembly, two (2) Vertical Beams feature pre-bolted horizontal and diagonal beams.

**STEP 1**

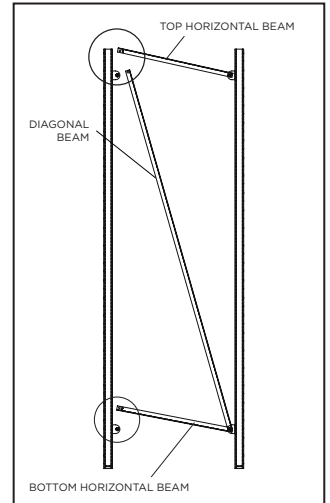
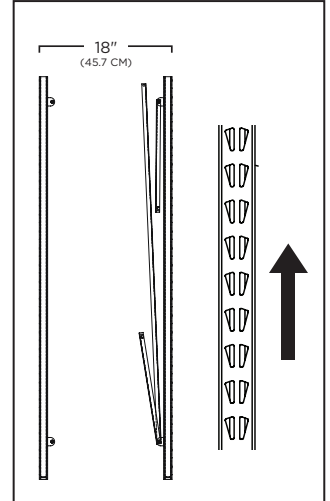
- Place one (1) Vertical Beam and one (1) Pre-Bolted Vertical Beam on the floor, parallel to one another (about 18"/45.7 cm apart). The widest part of the teardrop-shaped hole pattern on each beam should be facing away from you.

**STEP 2**

- Take the free end of the diagonal beam and insert it into the free end of the top horizontal beam. Align the holes. Insert both beams into the U-shaped bracket at the top of the opposing Vertical Beam, and align the holes. Using the included hex key or hex bit, thread a button-head cap screw through the holes and into the pre-bolted nut that's attached to the U-shaped bracket. (Do not fully tighten the bolt.) Swing out the bottom horizontal beam, and insert it into the U-shaped bracket at the bottom of the opposing Vertical Beam. Using the included hex key or hex bit, thread a button-head cap screw through the holes and into the pre-bolted nut that's attached to the U-shaped bracket. (Do not fully tighten the bolt.)

**STEP 3**

- Repeat Steps 2 and 3 to assemble the second upright frame. Once both upright frames are assembled, fully tighten the screws on all four corners with the included hex key or hex bit. Do not over-tighten the screws. There should be no deformation of the U-shaped bracket and/or horizontal beams.



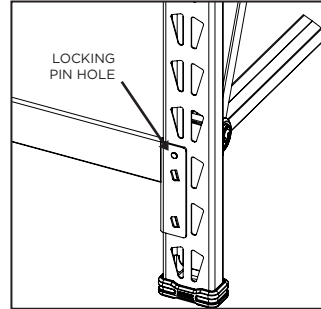


**CROSSBEAM INSTRUCTIONS**

- Note: It is recommended for one person to hold the upright frames in place while a second person installs the crossbeams.

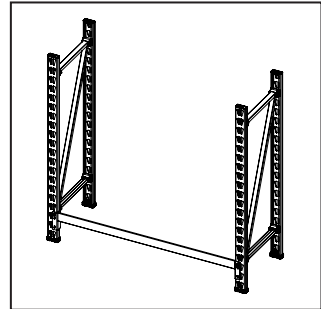
**STEP 1**

- There is a set of locking tabs at both ends of every crossbeam. To begin assembly, take one crossbeam and insert the tabs into two of the holes on the lower portion of one upright frame. Engage the locking tabs into the holes using a downward motion. The locking pin hole should be at the top. Make sure the end of the crossbeam is flush against the upright frame.



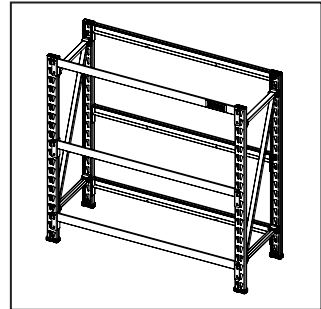
**STEP 2**

- Repeat for the opposite side of the crossbeam. Tap the ends of the crossbeam (closest to the upright frames) with a rubber mallet until fully seated. The crossbeam and locking tabs should easily slip into place. If not, recheck the alignment. Too much force may damage the interlock between the crossbeam and upright frame.



**STEP 3**

- Using the methods listed above, install another crossbeam to the opposite side of the upright frames, parallel to the first crossbeam you installed. Make sure both crossbeams are at the same level.



**STEP 4**

- Continue by installing the middle and top set of crossbeams to the upright frames. Make sure the crossbeams are attached at the same level on both sides. If you plan to stack another DXST4500 Industrial Rack on top, then DO NOT attach the third set of crossbeams to the very top of the upright frames. See Page 13 for Complete Stacking Instructions.

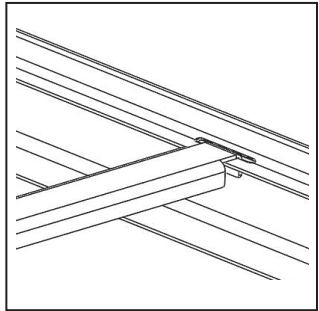
**WARNING:** Serious or fatal crashing injuries can occur from furniture tipping over. To prevent this, the rack must always be secured to a wall, especially in earthquake-prone environments, where surfaces are uneven, and where children and/or pets are present.

### **SHELF SUPPORT AND SAFETY STRAP INSTRUCTIONS**

- Note: There are three (3) Shelf Support Straps and two (2) Safety Straps with Weld Nuts for every set of crossbeams.

#### **STEP 1**

- Starting with the lowest set of crossbeams, place one shelf support strap perpendicular to the crossbeams and insert each end into the slots on each side of the crossbeam.

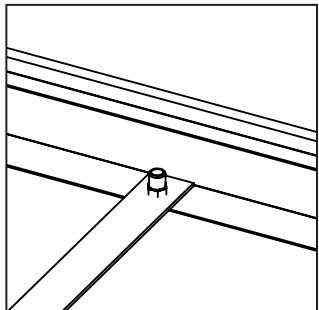


#### **STEP 2**

- Continue aligning the remaining two supports perpendicularly across the beams, and secure them into place. Repeat for the remaining two sets of crossbeams.

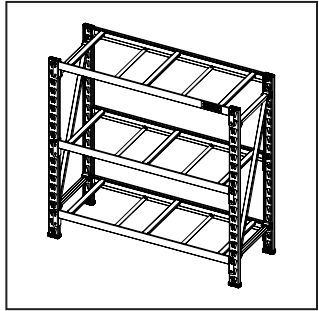
#### **STEP 3**

- Starting at the bottom of the rack, place the safety straps between the crossbeams where the two sets of pre-drilled holes are. Use a button-head cap screw to fasten the safety straps to the crossbeams, and use the hex key or hex bit to tighten completely.



#### **STEP 4**

- Repeat steps 1-3 for the middle and top set of crossbeams.

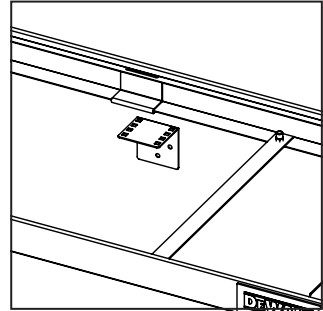


## WALL MOUNTING INSTRUCTIONS

- Note: Drywall anchors and anchor screws are included with this rack; however, different wall materials require different types of fasteners. Use fasteners suitable for your specific type of wall. If you are uncertain about what type of fasteners to use, then please contact your local hardware store.

### STEP 1

- Take the U-shaped bracket and rock it up at an angle to attach it to the bottom inner channel of the crossbeam. Once attached, the back portion will sit flush against the inside of the crossbeam.



### STEP 2

- The L-shaped bracket has four square holes that allow you to adjust the distance of the rack to the wall. Use two button-head hex bolts and two nuts to attach the L-shaped bracket to the bottom of the U-shaped bracket.

### STEP 3

- Position the rack so the flat end of the L-shaped bracket is touching the wall. Use a pencil to mark the location of the four holes on the wall. Use the included drywall anchors, anchor screws, and recommended tools if you're securing the rack to drywall only. Be sure to follow standard instructions for installing anchor screws.



### WARNING!

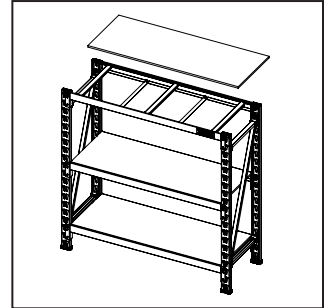
- *Serious or fatal crashing injuries can occur from furniture tipping over. To prevent this, the rack must be secured to a wall, especially in earthquake-prone environments, where surfaces are uneven, and where children and/or pets are present.*

**WOOD DECK AND LOCKING SHELF PIN INSTRUCTIONS****STEP 1**

- Place the first wood deck onto the top ridge of the crossbeams. If seated properly, the deck will “pop” into place and lay evenly. Repeat for the remaining wood decks.

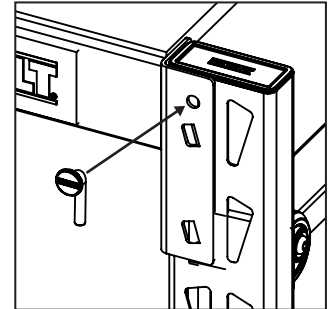
**STEP 2**

- There is a locking pin hole at both ends of every crossbeam. This is where the locking shelf pins are to be installed. If a pin does not easily slip into place, moderately tap the end of the crossbeam (closest to the upright frame) to fully seat the locking tabs.

**STACKING INSTRUCTIONS**

Before you begin: Every DXST4500 Industrial Rack comes with two (2) stacking plates. In order to safely stack two of these racks together, you MUST use four (4) of these plates.

It is recommended that one person holds the upright frames in place while a second person installs the stacking plates.

**STEP 1**

- Assemble the second set of upright frames by following the instructions on Page 8.

**STEP 2**

- Using a screwdriver and rubber mallet, remove all four black caps from the bottom of the newly assembled upright frames (these will become the top rack). Remove all four black caps from the fully assembled rack (this will become the bottom rack).

**WARNING!**

- *Serious or fatal crashing injuries can occur from furniture tipping over. To prevent this, each rack must be secured to a wall, especially in earthquake-prone environments, where surfaces are uneven, and where children and/or pets are present.*

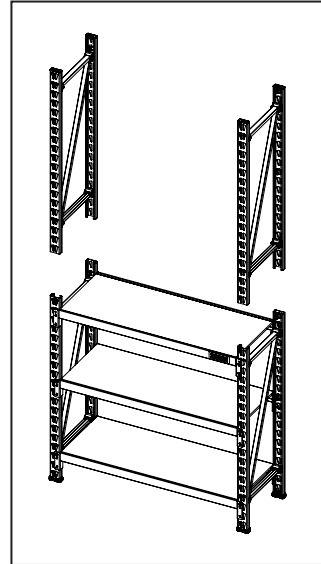
**STACKING INSTRUCTIONS**

**STEP 3**

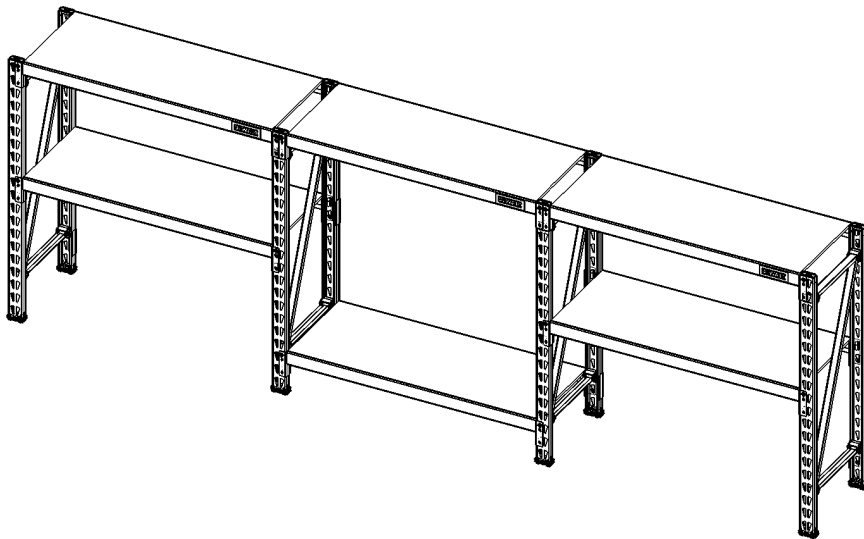
- Line up and place an upright frame on top of one side of the fully assembled rack. Be sure the hole patterns are going in the same direction. The stacking brackets feature a top and bottom set of locking tabs. Engage the top set of tabs into the very bottom of the vertical beam and the bottom set of locking tabs into the very top of the upright frame. Use the same downward motion to attach these brackets as you did for the crossbeams. The locking pin holes on the bracket should be at the bottom. Repeat for the remaining three stacking brackets.

**STEP 4**

- Insert the locking shelf pins into the open pin holes on the brackets.
- Assemble the remaining pieces of the top rack by following the instructions detailed on Pages 8-12.



**MAXIMIZE YOUR DEWALT STORAGE OPTIONS**



**NOTE:** Connect multiple racks together to increase both length and height.

\* Additional racks are sold separately.

**REGISTER ONLINE****ONE YEAR LIMITED WARRANTY**

DeWALT will replace this industrial rack due to faulty materials or workmanship for one year from the date of purchase. This warranty does not cover part failure due to normal wear or rack abuse. This warranty does not apply to accessories or damage caused where repairs have been made or attempted. For further detail of warranty coverage, call 1-844-377-8451.

In addition to the warranty, DeWALT tools are covered by our:

**90 DAY MONEY BACK GUARANTEE**

If you are not completely satisfied with the performance of your DeWALT Industrial Rack for any reason, you can return it within 90 days from the date of purchase with a receipt for a full refund – no questions asked.

**LATIN AMERICA:** This warranty does not apply to products sold in Latin America. For products sold in Latin America, see country specific warranty information contained in the packaging, call the local company or see website for warranty information.

**FREE WARNING LABEL REPLACEMENT:** If your warning labels become illegible or are missing, call 1-844-377-8451 for a free replacement.