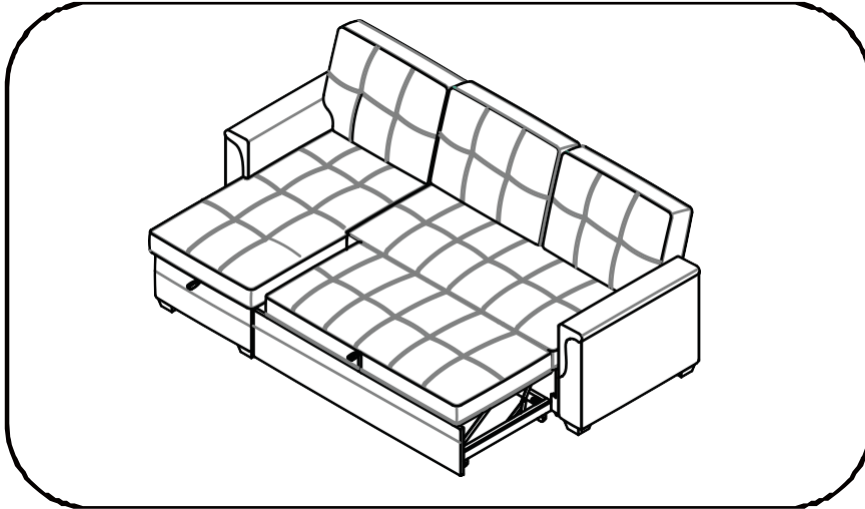


# Reversible Sleeper Sectional Sofa



## Assembly Instructions

Product Dimensions:  
84.25"L×54.33"D×33.46"H

Please take a moment to read through the entire instruction booklet before assembly to familiarize yourself with this product. Once you feel ready to start, follow the instructions step by step and this should make this process as easy as we could make it for you.

# WARNING CAUTION

## ADULT ASSEMBLY REQUIRED

### CHOKING HAZARD

- This product includes small parts, sharp points and sharp edges in its unassembled state. Keep unassembled parts away from children under 3 years of age, and animals.

### SAFETY WARNINGS

- Follow the information on the warnings appearing on table and on the carton. Do not remove warning label from table.
- Do not allow children under 3 years of age to use the table.
- Do not use substitute parts. Contact the manufacturer or dealer for replacement parts.

### FURNITURE TIP-OVER HAZARD

#### Children have died from furniture tip-over.

To reduce the risk of furniture tip-over:

- ALWAYS install tip-over restraint especially if used by a wall or in the open.
- NEVER put a TV on this product
- NEVER allow children to stand, climb or hang on drawers, doors, or shelves.
- NEVER open more than one drawer at a time.
- ALWAYS place heaviest items in lowest drawers.

### PARENTAL SUPERVISION IS REQUIRED

- Parents or Guardians should supervise use under the intended age specifically regarding children that may have access to it and climb on the unit.
- Do not allow horseplay on, under, or behind the unit and prohibit jumping on the table.
- If used improperly, your table may be pulled over or fall, creating risk of injury or damage. Children should not be permitted to climb or pull on the table.

### USE, MAINTENANCE & ASSEMBLY

- Periodically check and ensure that the components are in their proper position, free from damage, and that all connectors are tight.
- Use on level surfaces only. Assemble on a soft level surface to avoid damage to unit or floor.
- Do not use this item if any components are missing or damaged.
- Do not use substitute parts. Contact the manufacturer or dealer for replacement parts.
- Only clean using damp cloth and mild detergent, do not use bleach or abrasive cleaners.
- Check you have all components and tools listed on page 4
- Do not stand or put weight on this product during assembly, this could cause damage.
- Remove all hardware from the plastic bags and separate them into groups.
- Assemble the item as close to its final position (in the same room) as possible.
- Certain assembly steps may be easier with 2 people.
- Dispose of all packaging carefully and responsibly.
- We do not recommend power screwdrivers. Only use hand screwdrivers to prevent damage to unit.
- Keep these instructions for future reference.

#### ~~Enfants morts suite au basculement d'un meuble.~~

Afin de limiter le risque de basculement de meuble:

- TOUJOURS utiliser les fixations anti-basculement.
- NE JAMAIS installer de TV sur ce produit.
- NE JAMAIS laisser d'enfants se tenir debout sur les tiroirs, portes ou etageres, y grimper ou s'y suspendre.
- NE JAMAIS ouvrir plus d'un tiroir a la fois.
- TOUJOURS placer les choses les plus lourdes dans les tiroirs du bas.

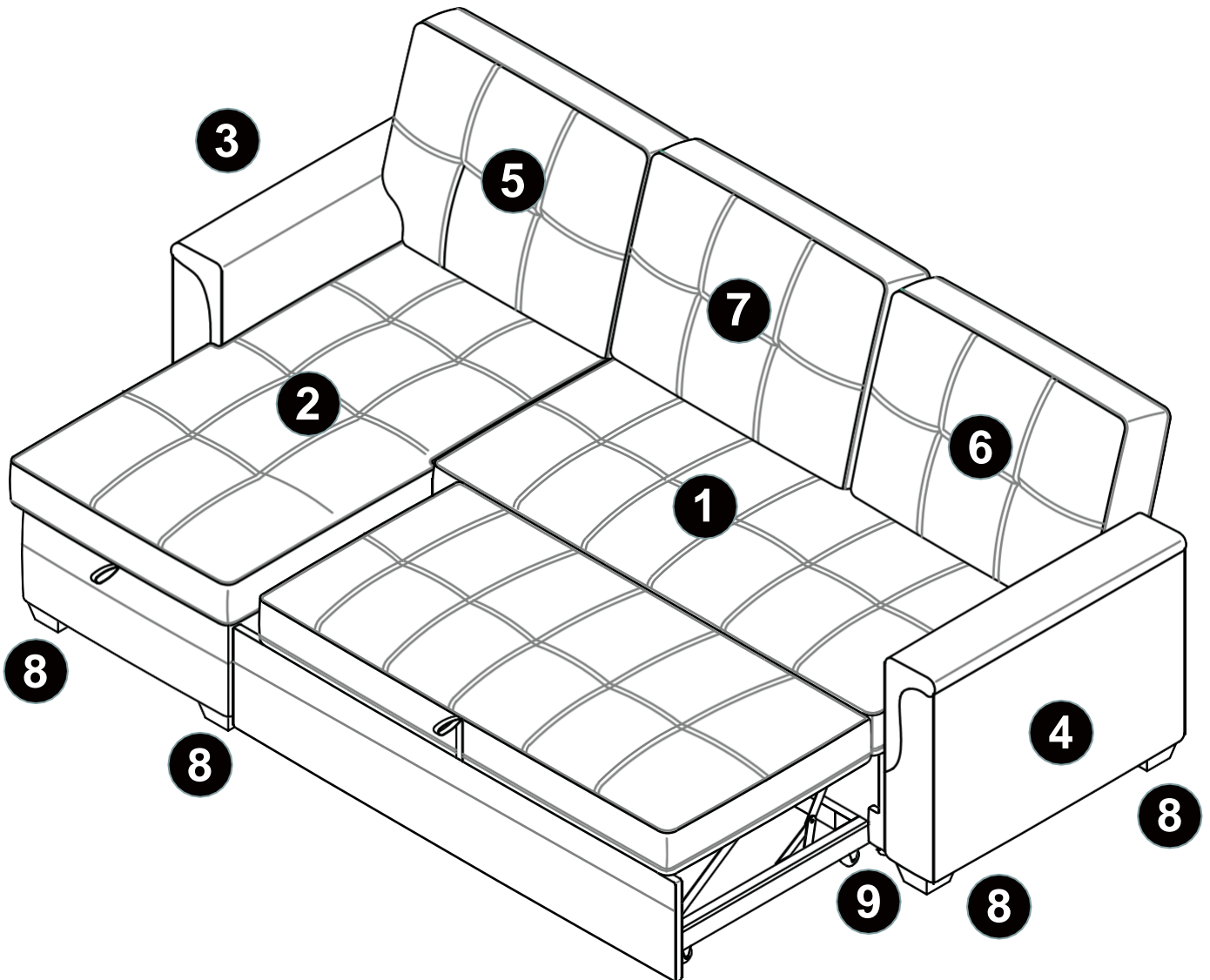
#### ~~Han muerto ninos por el vuelco de muebles.~~

Para limitar el riesgo de vuelco de los muebles:

- Utilisar SIEMPRE las fijaciones antivuelco que suministran.
- NUNCA instalar un TV sobre este producto.
- NUNCA permitir que los ninos se pongan de pie, trepen o se cuelguen de los cajones, puertas o baldas.
- NUNCA abrir mas de un cajon a la vez.
- Colocar los objetos mas pesados en los cajones inferiores.

# ASSEMBLY AT A GLANCE

Please take a moment to read through the whole instruction booklet before assembly to familiarize yourself with this product. Once you feel ready to start, follow the instructions step by step and this should make this process as easy as we could make it for you.



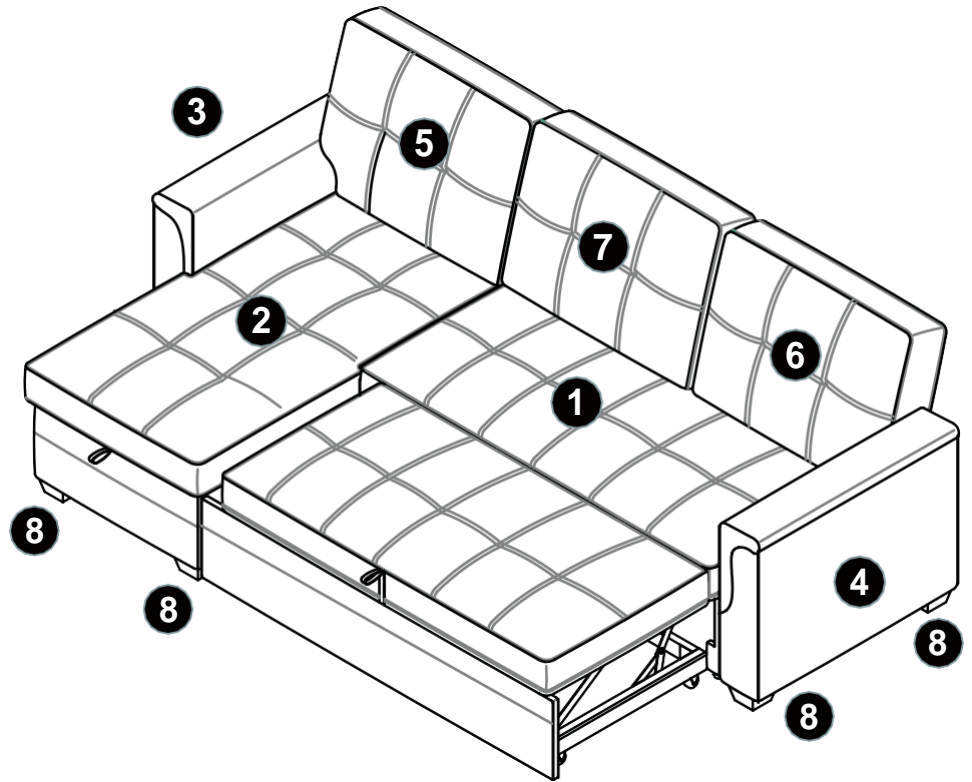
This drawing is to give you an overall idea only of how this assembly will go together and does not replace the assembly instructions.

# COMPONENT PARTS

Please check that you have all the parts listed below

---

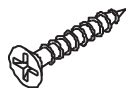
- 1. Frame x1
- 2. Chaise Frame x1
- 3. Left Arm x1
- 4. Right Arm x1
- 5. Left Back Cushion x1
- 6. Right Back Cushion x1
- 7. Middle Back Cushion x1
- 8. Square Leg x8
- 9. Round Leg x4



---

## ASSEMBLY HARDWARE

**A**



Screw x8

**B**

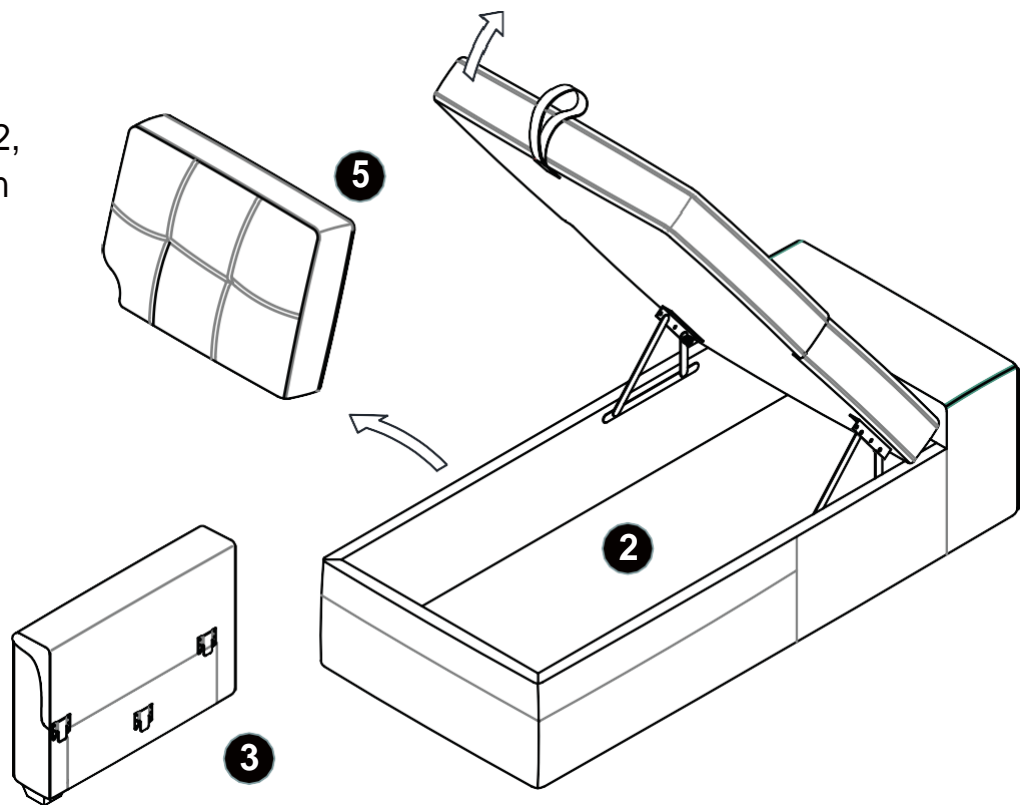


Phillips Screwdriver  
(NOT PROVIDED)

# ASSEMBLY INSTRUCTIONS

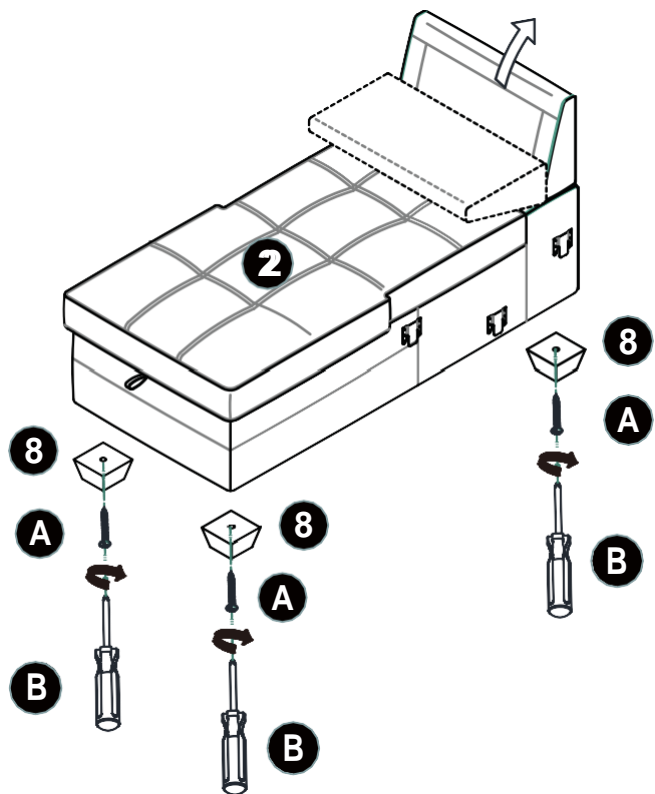
1

Open up the sofa cover of 2, take the 5 Left Back Cushion and 3 Left Arm out.



2

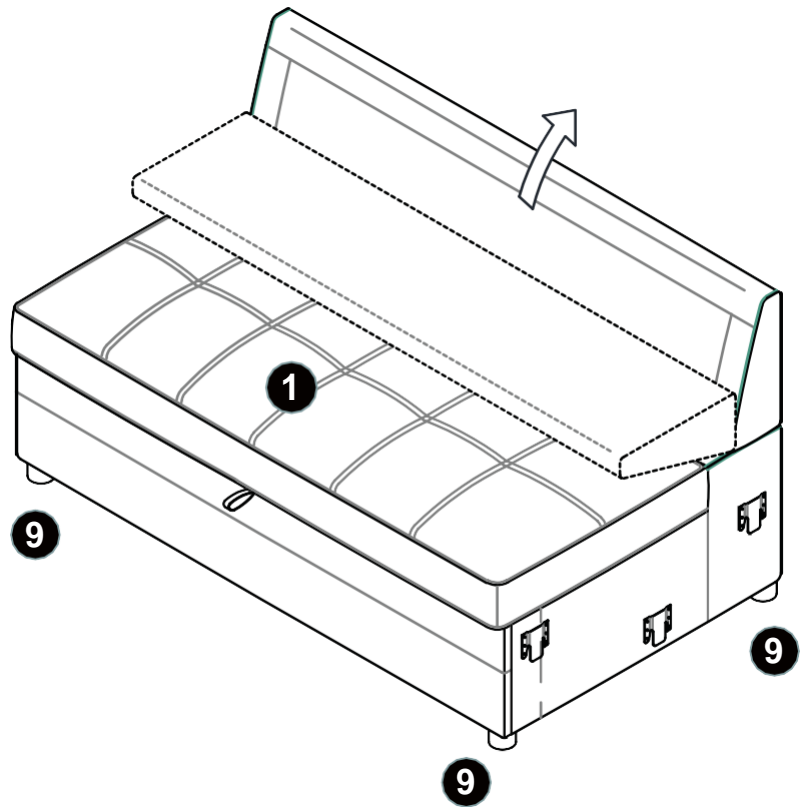
Open up the back of the 2. Insert 8 x 4 into the bottom of the 2 with the A x 4 with the B.



# ASSEMBLY INSTRUCTIONS

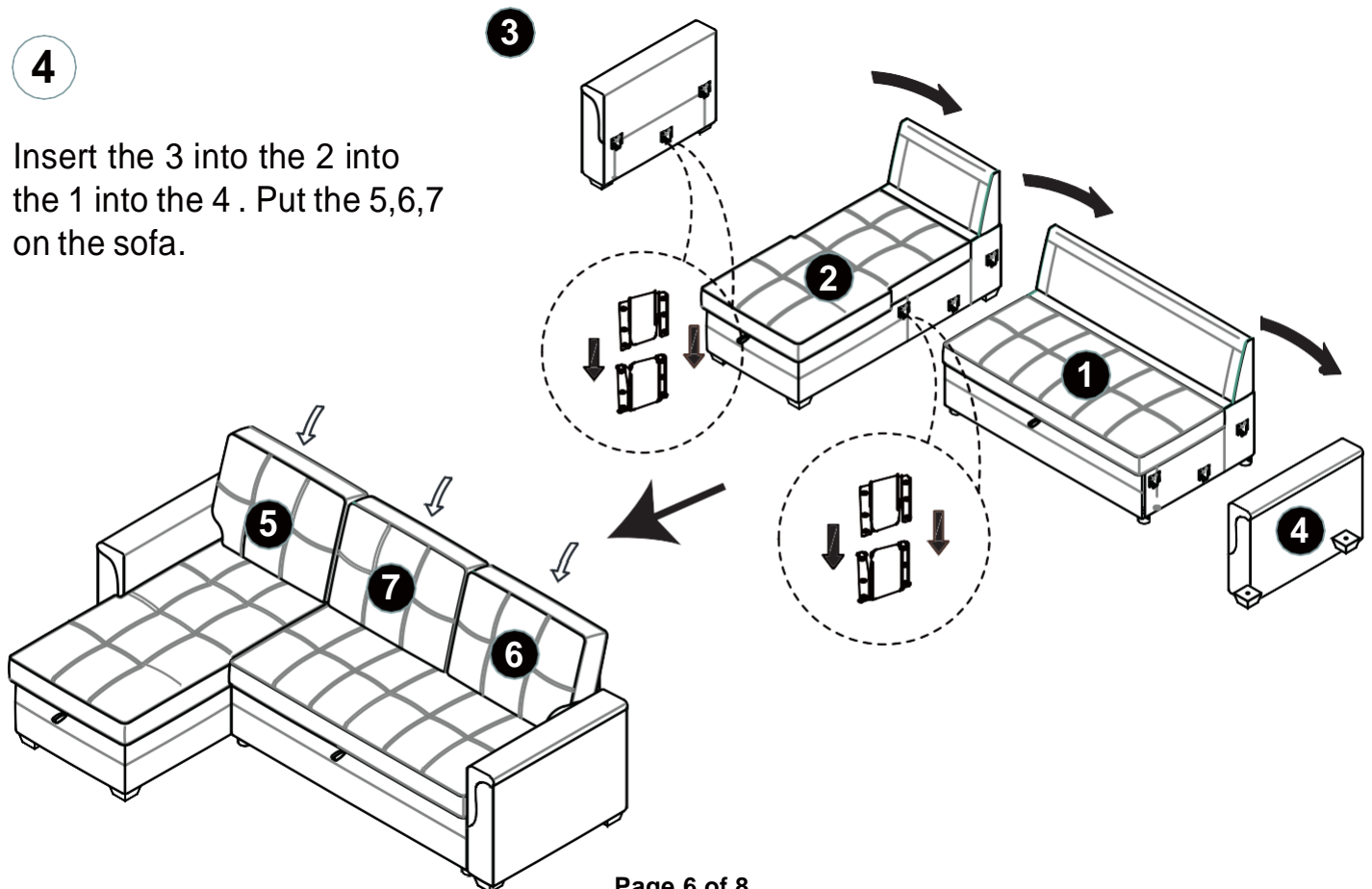
3

Open up the sofa cover of 1, take the Middle Back Cushion, Right Back Cushion and Right Arm out. Lift up the back of the 1. Insert 9x4 into the bottom of the 1 tightly.



4

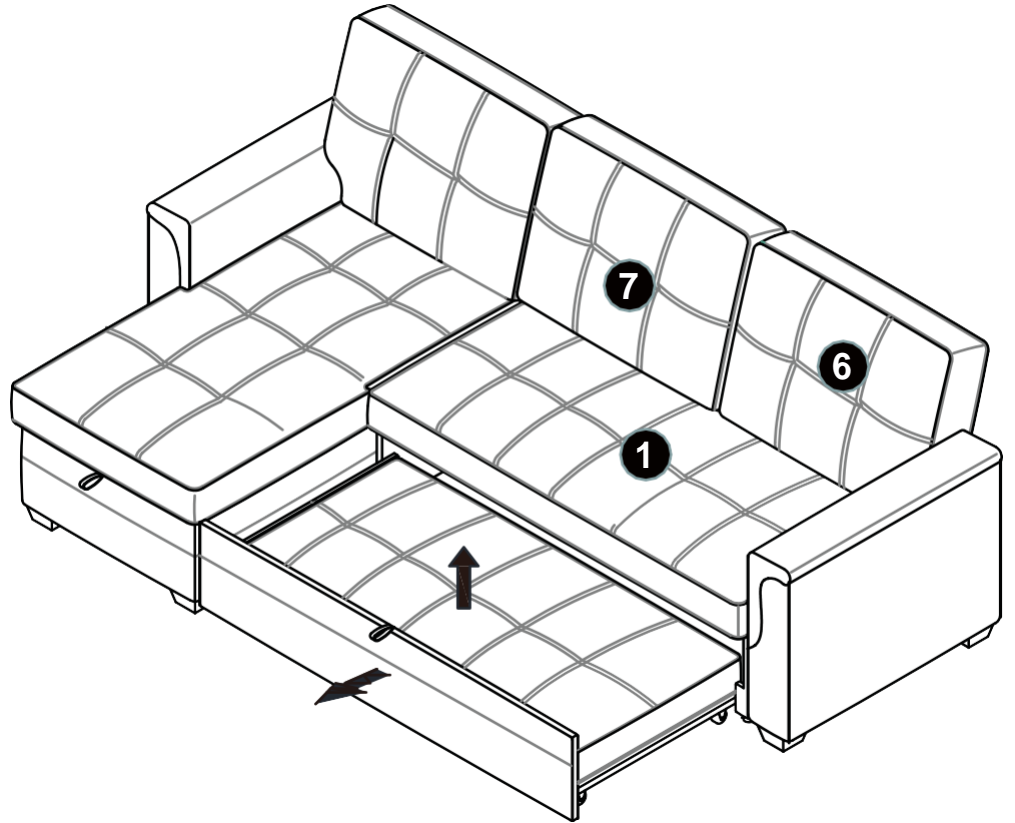
Insert the 3 into the 2 into the 1 into the 4. Put the 5,6,7 on the sofa.



# ASSEMBLY INSTRUCTIONS

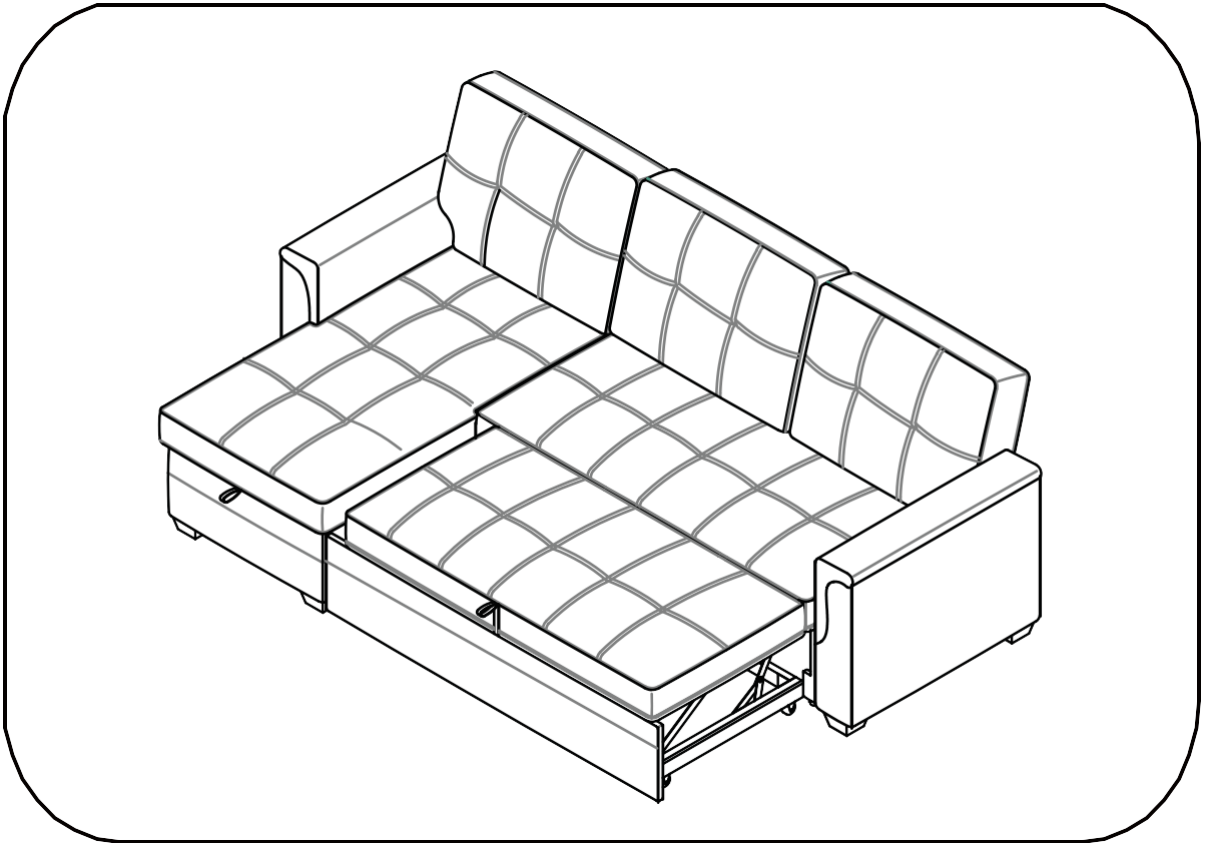
5

Pull out the cushion at the bottom of the 1 to lay down as a bed.





**ASSEMBLY COMPLETE**



**CONGRATULATIONS, YOUR REVERSIBLE SLEEPER  
SECTIONAL SOFA IS COMPLETE!**



