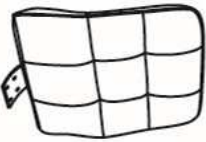

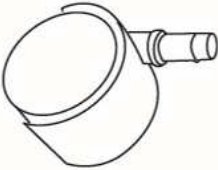
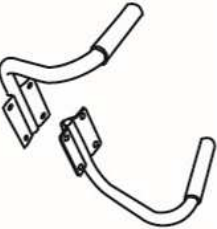

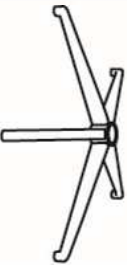
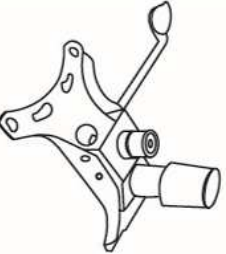



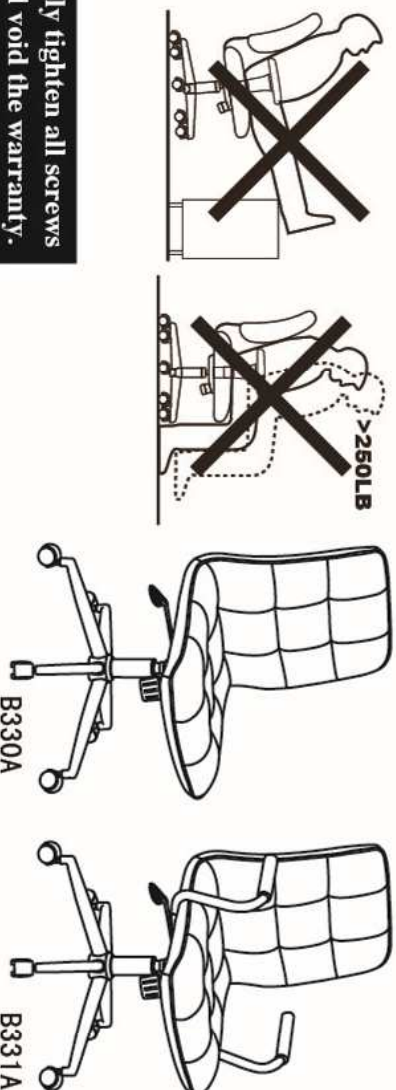
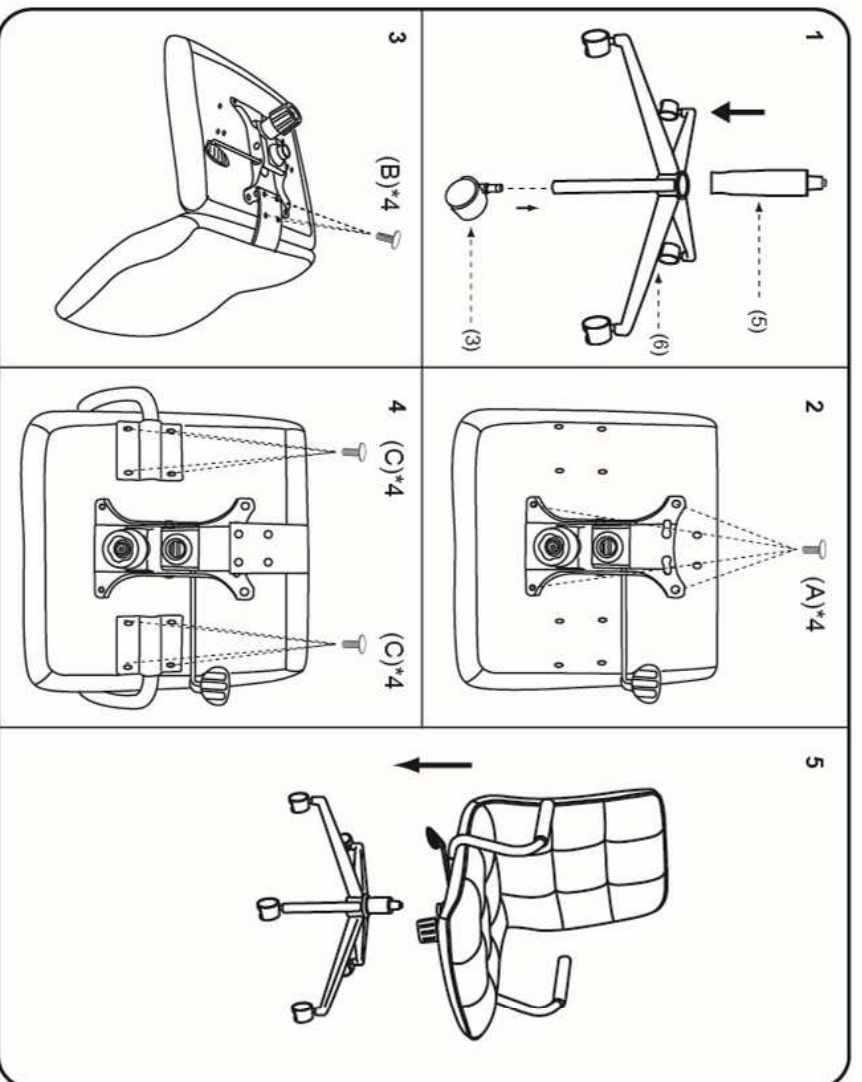


**IMPORTANT NOTICE:**  
**HARDWARE PACKAGE IS ATTACHED**  
**ON THE BOTTOM OF SEAT CUSHION.**

MODEL : B330A B331A

(1)x1 	(2)x1 	(3)x5 
BACK (4)x1 (L)x1 (R)	SEAT (5)x1	CASTERS (6)x1
LARM LEFT ARM RARM RIGHT ARM (7)x1 	GAS LIFT 	BASE 
MECHANISM 	(A)x4  M8*22 MECHANISM SCREW (B)x4  M8*30 L-BAR SCREW (C)x8  M6*22 ARM SCREW	



**Insert and loosely tighten all screws. When assembly is completed, fully tighten all screws before using. This chair is only intended for sitting. Any other use will void the warranty.**

**Customer Service Hotline: 1-800-593-1888 For further assembly instructions, please visit our website at [www.bosscchair.com](http://www.bosscchair.com)**