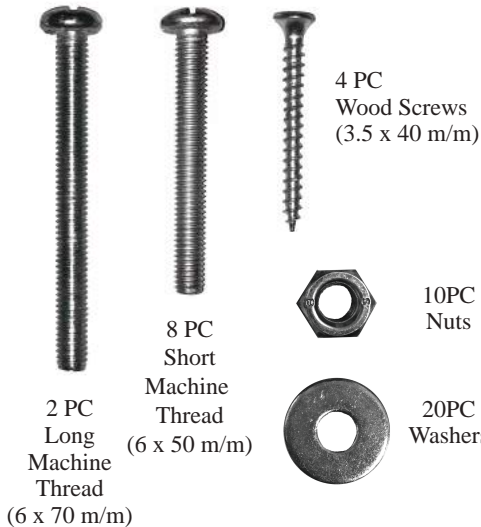
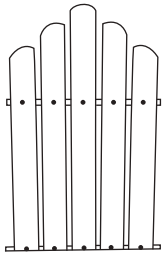
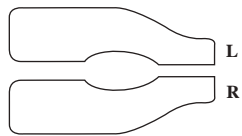
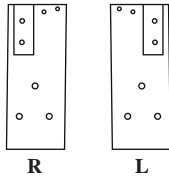
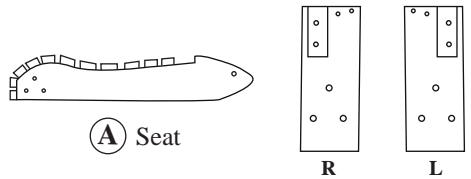


# PARTS INCLUDED:



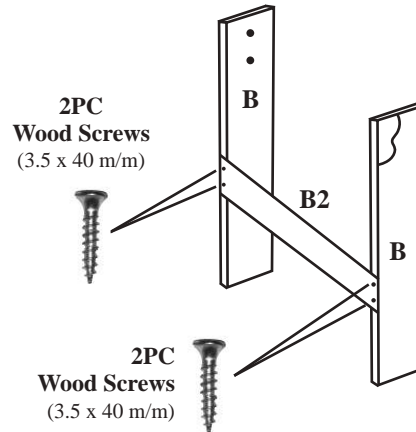
## How To Assemble Your Adirondack Folding Chair (REV. 9/2016)

**TOOLS NEEDED:** Philips screwdriver, power drill optional

**CAUTION:** When assembling chair, **DO NOT** completely tighten the bolts and nuts until all the parts & holes are properly aligned. **All bolts must be assembled with one washer in between the wood pieces and one washer before the nut.**

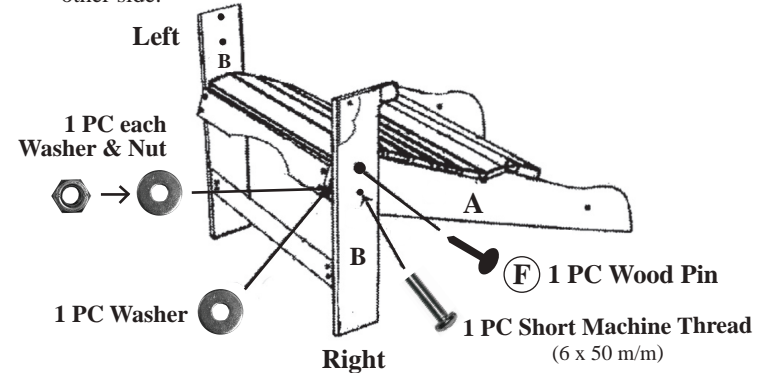


**Step 1:** Attach **(B2)** wood piece to **(B)** front legs using two pieces of the Wood Screw (3.5 x 40 m/m) on each side.



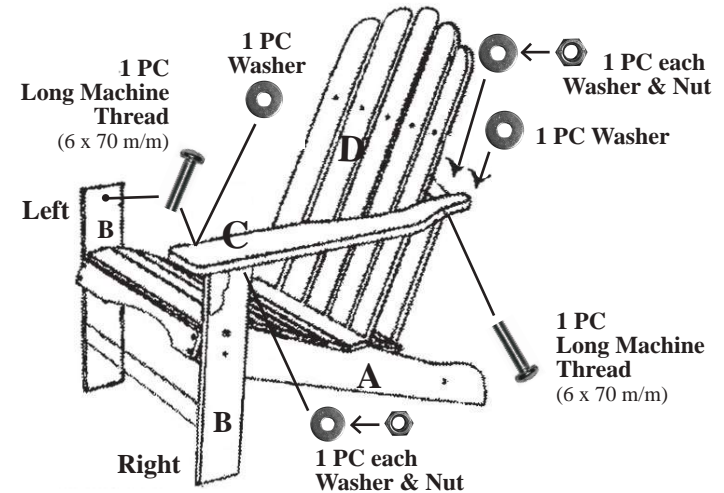
**Step 2:** Place **(A)** seat frame on its side and screw **(B)** right leg with one Short Machine Thread (6 x 50 m/m). Repeat on the left leg.

**Step 3:** Insert the **(F)** wood pins into **(A)** seat frame. Repeat on the other side.

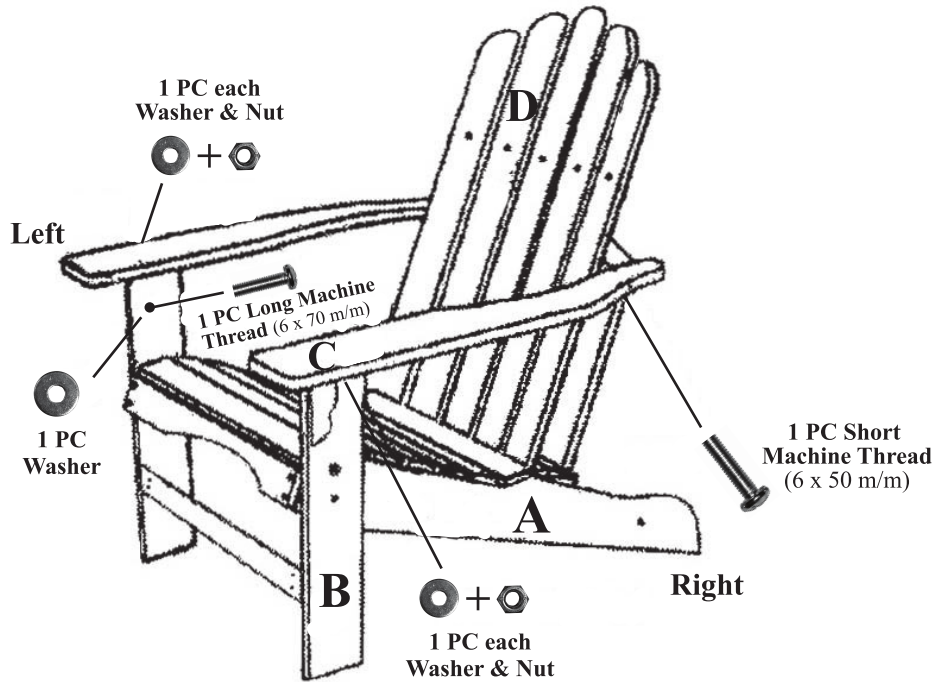


**Step 4:** Place **(A)** seat frame in an upright position. Attach **(C)** Right Armrest support with one Long Machine Thread (6 x 70 m/m) into **(B)** Front Leg so that it is perpendicular to the floor.

**Step 5:** Attach the **(C)** Right Armrest support to the **(D)** seat back using one Long Machine Thread (6 x 70 m/m). **DO NOT** tighten the bolt yet. This step is to keep the **(D)** seat back in place while you attach the right armrest support.

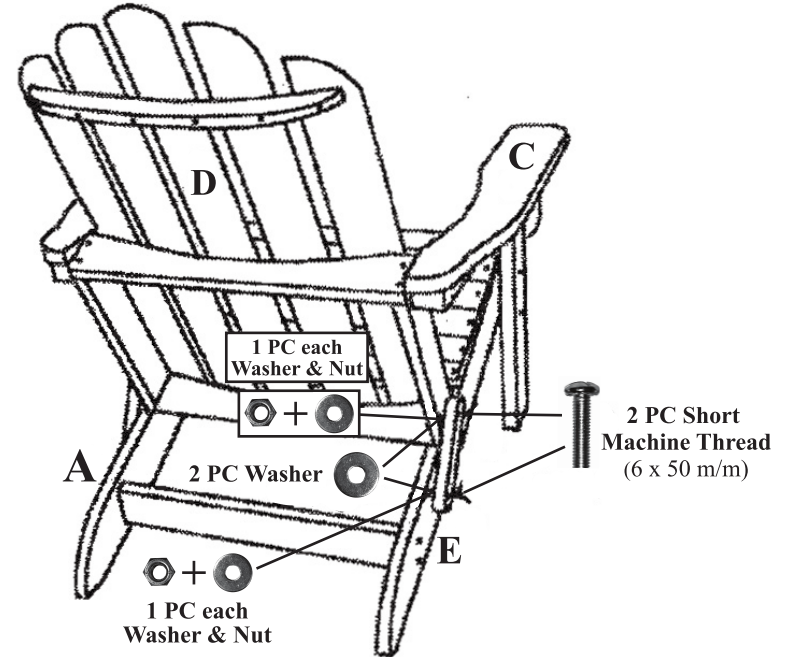


**Step 6:** Repeat on the left side as in Step 4 and Step 5.  
Now tighten the left and right armrest supports.



**Step 7:** Attach the (E) wood piece to (A) seat frame using 1pc Short Machine Thread (6 x 50 m/m).

**Step 8:** Attach the same (E) wood piece to (D) seat back using 1pc Short Machine Thread (6 x 50 m/m). Repeat on the other side.



**CAUTION: Do not sit in chair without wood pins in place.**

To fold chair for storage, remove wood pins and fold seat back forward.

