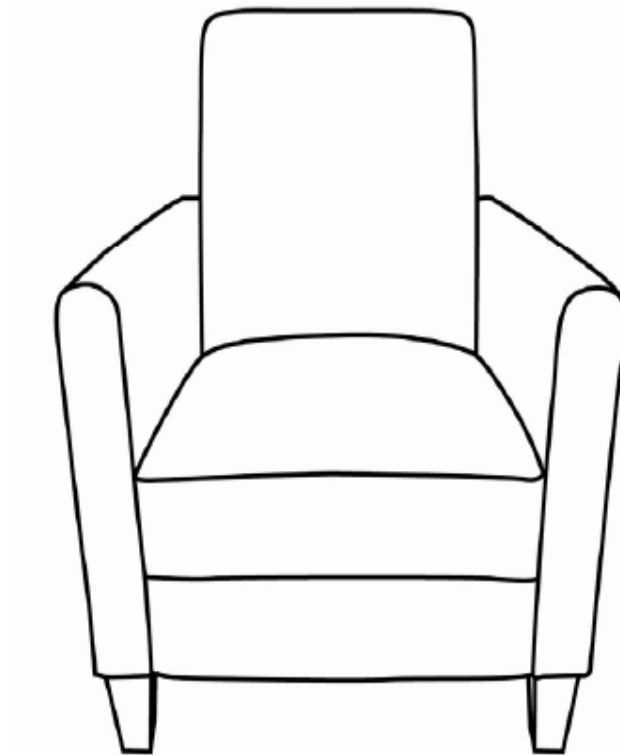


# Assembly Instructions

**Caution : You must read this before you proceed**

## Club Chair




### Parts List

Label	Picture	Description	QTY
A1	A line drawing of a rectangular chair backrest with a slightly curved top edge and a small tab at the bottom.	Chair Backrest	1
A2	A line drawing of the chair base body, showing the seat, armrests, and legs.	Chair Base Body	1

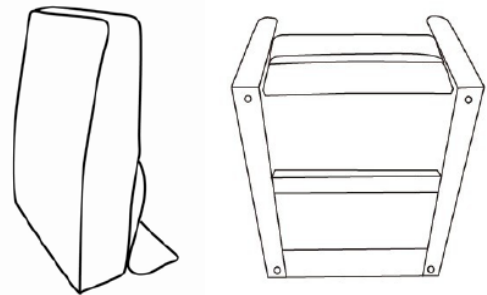
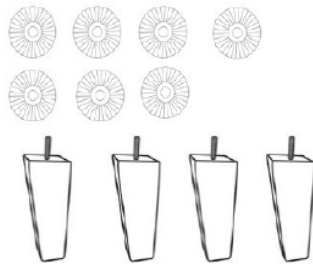
B		Wooden Leg	4
---	---	------------	---

## Hardware

Label	Picture	Description	QTY
1		Washer Rings	7pcs

## Assembly Preparation

Before Beginning Assembly:



- Read instructions, cover to cover-



- Have 2 adults on hand for assembly-



- Do not assemble on flooring or carpet-



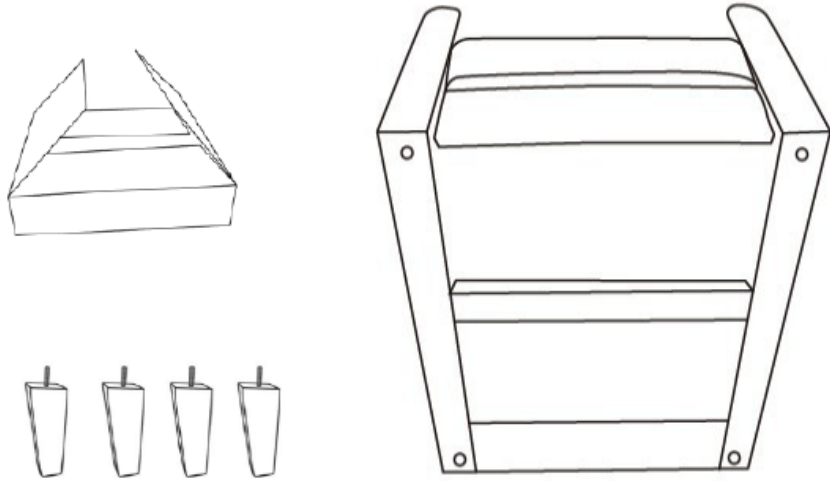
- Assemble on a clean non-marring surface (packing foam)-



- Save all packaging until finished-

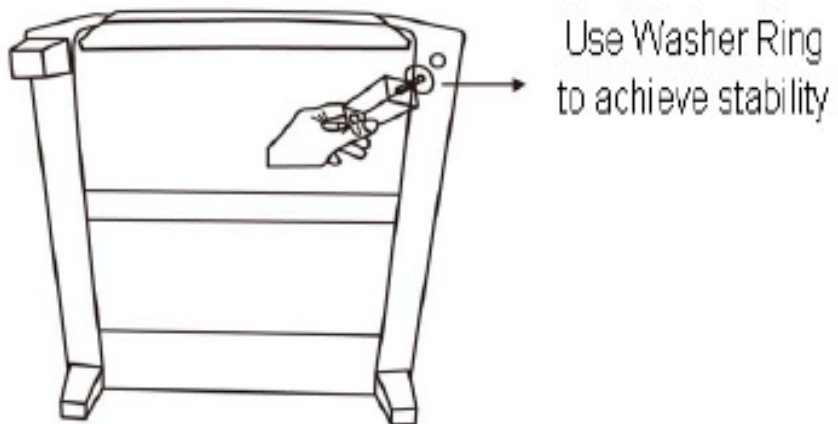
## Assembly Steps

### Step 1



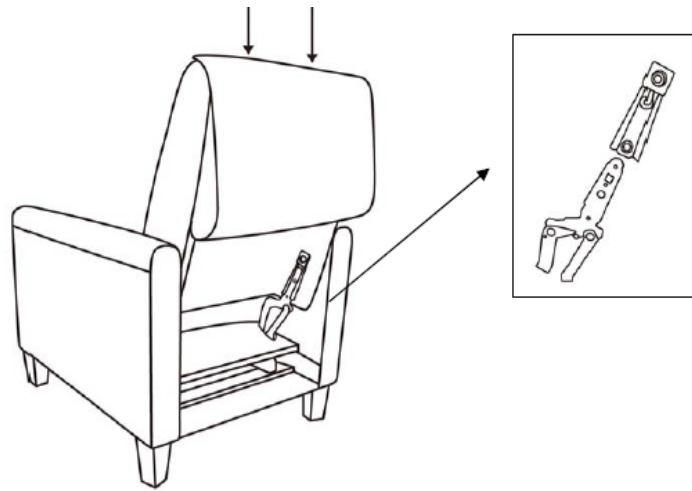
Position the Chair on its back, as shown.  
(Preferably on a surface that won't scratch the upholstery.)  
Open the inner box and take out the 4 wooden legs provided.

### Step 2



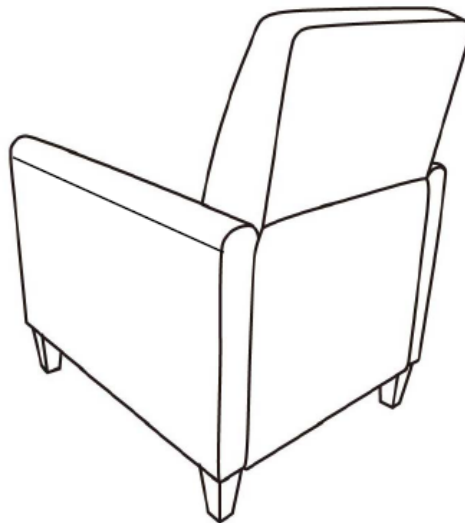
Install the first leg into the bottom of the chair by placing 1 plastic washer ring (improves tightness and security of leg) onto the threaded stem.)  
(The use of washer rings are OPTIONAL and is especially useful to help alleviate slight wobbleness).  
Insert the leg into the bolt point at the base of the chair.  
Tighten by turning the leg clockwise.  
Repeat the same steps to install the three remaining legs.

### Step 3



With assistance from your adult partner, hold up the fully assembled backrest with Wings, stand behind the chair. Insert the small metal arms on the sides of the Chair Backrest into the prefabricated slide lock gadget on the Chair Base as shown above. Firmly but gently, push the Chair Backrest downwards until the **Backrest is fully slotted and locked into position.**

### Step 4



Smooth down the fabric flap on the Chair Backrest. Run your hands down both sides of the flap, from top to bottom, allowing the velcro tape to adhere to the flap under the seat of the chair. Your Recliner is ready for use.

# User Instructions.

## Recliner Chair

Please read the Instruction Manual below carefully before use.

This is a Recliner Chair. At anytime in a reclined seat position or in the upright position. You may enjoy the rocking motion by using your body weight in a back-front rocking motion.

Supervise children use of this Recliner.

### To get into a reclined posture - To Recline backrest

Sit into the seat.

Place your feet apart .

Place your left and right arm onto the armrest.

Synchronise a backward push with your arms.

Use your body weight and push backwards into the seat into a fully reclined position.



### To get out of chair - move Seatback into Upright Position











Tilt your body weight slightly forward and upwards.

The seat back will come up to an upright position.

Where necessary, use either your arms help lift- push yourself out of the seat.



## Care & Maintenance

-  Do not put hot items directly on furniture surface
  -  Do not clean furniture with harsh cleansers or polish.
  -  Do not place furniture under direct sunlight.
  -  Do not place furniture near heating or cooling vents.
  -  Do not write on furniture without a padded barrier to protect the surface.
  -  Do not place furniture outside . For indoor use only .
  -  Not for commercial use. For residential use only .
  -  Stains may be removed with mild soap solution and damp cloth.
  -  Children should not climb or jump on the furniture.
- 
-  Dust and pick-up spills using a clean, non-colored, lint-free cloth .