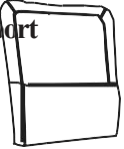


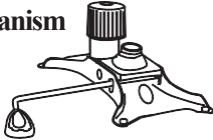


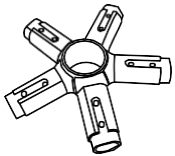

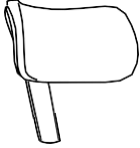



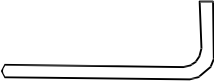




# **INSTRUCTION MANUAL**

# Package List

- Without further ado, we kindly suggest you to list all parts needed for the chair first.

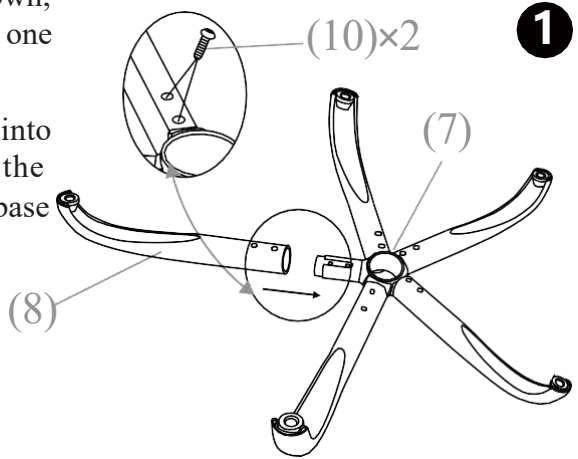
<p>(1)*1 <b>Back Support</b></p> 	<p>(2)*1 <b>Seat Cushion</b></p> 	<p>(3)*2 <b>Armrest</b></p> 
<p>(4)*1 <b>Mechanism</b></p> 	<p>(5)*1 <b>Gas Lift</b></p> 	<p>(6)*5 <b>Casters</b></p> 
<p>(7)*1 <b>Base</b></p> 	<p>(8)*5 <b>Legs</b></p> 	<p>(9)*1 <b>Headrest</b></p> 
<p>(10)*10 <b>Bolts</b></p> 	<p>(11)*4 <b>Bolts</b></p> 	<p>(12)*8 <b>Bolts</b></p> 
<p>(13)*1 <b>Wrench</b></p> 		

# Assembly Instruction

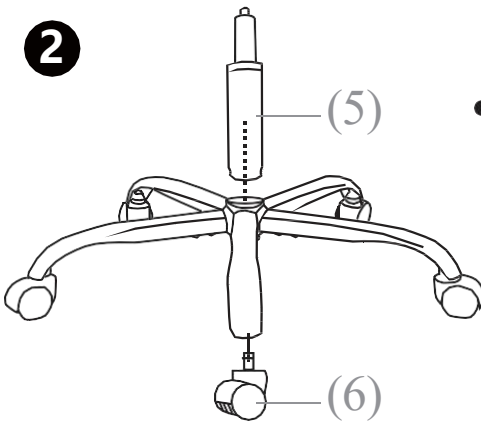
## • Step 1:

Turn the Base (7) upside down, and then insert the Legs (8) one by one into the Base.

Next, screw ten Bolts (10) into the pre-drilled holes with the Wrench (13) to attach the base and the legs.



2



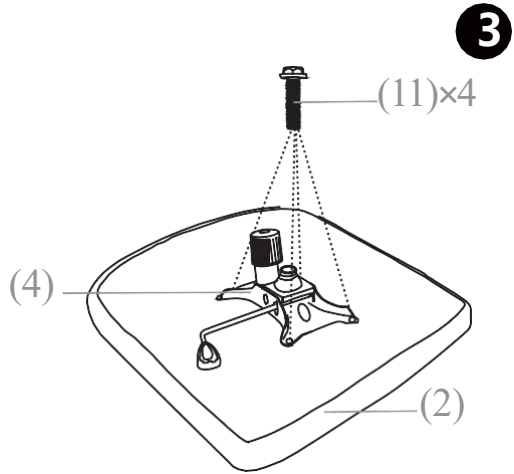
## • Step 2:

Press the Casters (6) into the holes at the end of each Base Leg. And then insert the Gas Lift (5) to the base.

### • Step3:

Align the Mechanism **(4)** over the pre-drilled holes underneath the Seat Cushion **(2)**, make sure the front of the mechanism is facing the front of the Seat.

Attach the Mechanism to the Seat Cushion using Four Bolts **(11)**, tighten all the bolts with the Wrench **(13)**, being careful not to miss-thread the bolts or damaged the seat.



4



### • Step4:

Turn the Seat Cushion **(2)** upright and align the center hole of the Seat Plate over the lift, then push the Seat Cushion down onto the lift firmly until the connection is secure.

Attach the Armrest **(3)** to the Seat Cushion **(2)** with Two Bolts **(12)**, using the Wrench **(13)**.

The installation of the other side Armrest is the same.

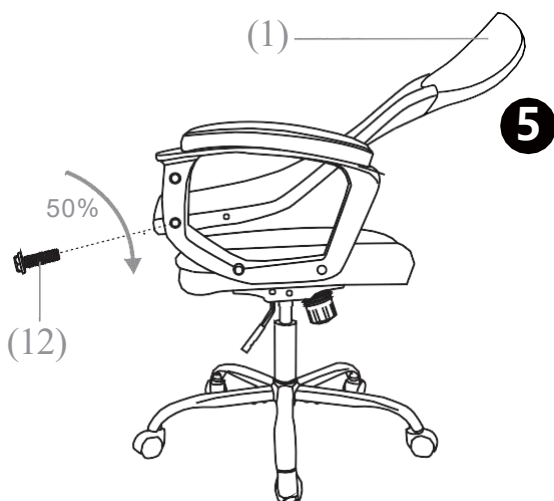
Note 1: The "Front" mark on the Armrests and the "Front" mark on the Seat Cushion should be in the same direction.

Note 2: Armrests are labeled with an "L" (left) or "R" (right) to show which side they should be placed on.

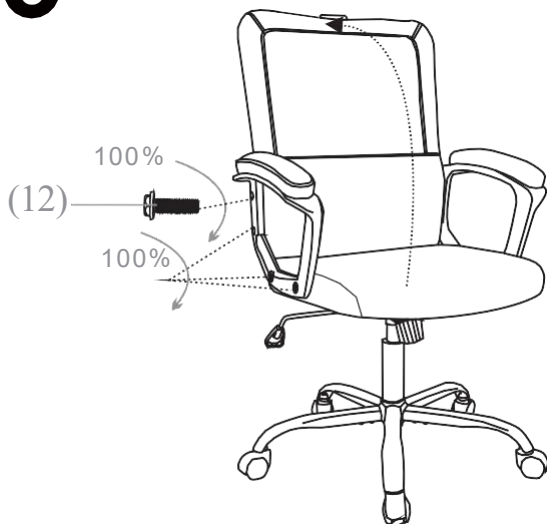
## • Step 5:

Lay the Back Cushion on the seat of the chair with the top of the cushion toward the front.

Attach the Back Cushion **(1)** to the Arms by inserting one Bolt **(12)** in the Lower holes with the Wrench **(13)**.



**6**



## • Step 6:

Rotate the back of the chair up, then secure it with the Bolts **(12)** use the Wrench **(13)**. Adjust the balance on each side of the chair, and fully tighten all the bolts at this step.

- **Step 7:**

Press the Headrest **(9)** into the Headrest Bracket firmly.



CAUTION:

Make sure all bolts and screws are fully tightened before using chair. Lubricate all moving parts and tighten all bolts/screws every 6 month or whenever needed.