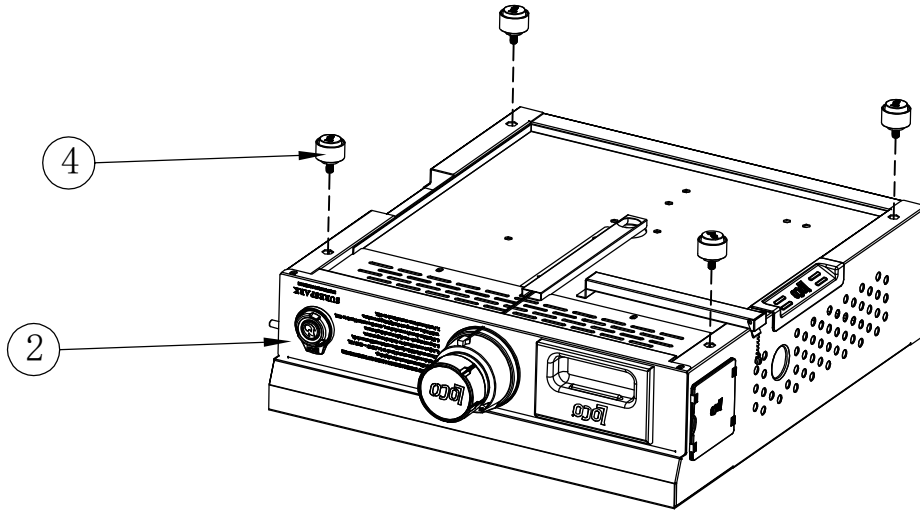


② X1

④ X4

## Step1



① X1

## Step2

