



REGISTER YOUR TOOLS
<http://register.ryobitools.com>
 1-800-525-2579

OPERATOR'S MANUAL

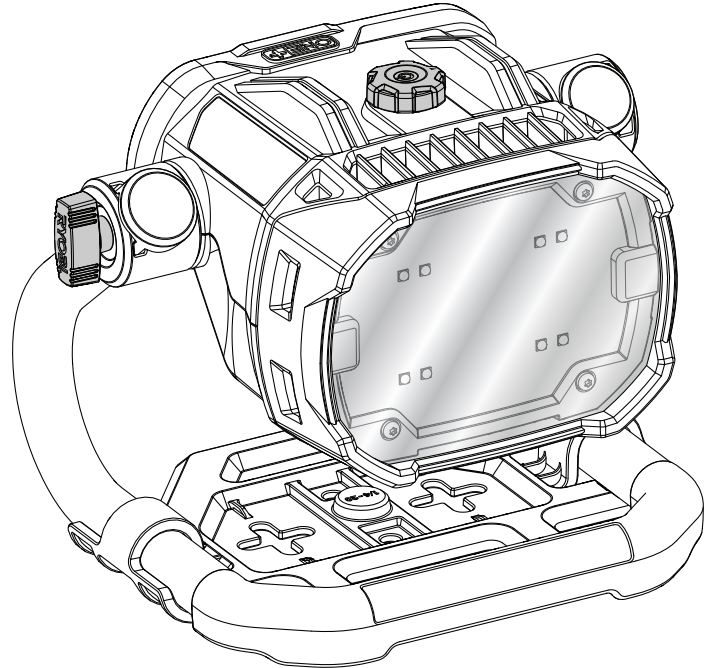
MANUEL D'UTILISATION
 MANUAL DEL OPERADOR

18 VOLT ONE+™ HYBRID COLOR RANGE LIGHT

LAMPE HYBRIDE AVEC GAMME DE
 COULEURS 18 V ONE+™

LUZ HÍBRIDA DE VARIOS COLORES DE
 18 V ONE+™

P795



EXTENSION CORDS NOT INCLUDED
 CORDON PROLONGATEURS PAS INCLUS
 CORDÓN DE EXTENSIÓN NO VIENEN INCLUIDAS

TABLE OF CONTENTS

- Important Safety Instructions.....2
- Electrical.....3
- Symbols.....4
- Assembly.....5
- Features.....5
- Operation.....5-7
- Maintenance.....7
- Illustrations8-9
- Parts Ordering / Service..... Back Page

TABLE DES MATIÈRES

- Instructions importantes
concernant la sécurité2
- Caractéristiques électriques.....3
- Symboles.....4
- Assemblage.....5
- Features.....5
- Utilisation.....5-7
- Entretien7
- Illustrations8-9
- Commande de pièces /
réparation.....Page arrière

ÍNDICE DE CONTENIDO

- Instrucciones de seguridad
importantes2
- Aspectos eléctricos.....3
- Símbolos4
- Armado.....5
- Features.....5
- Funcionamiento.....5-7
- Mantenimiento.....7
- Ilustraciones8-9
- Pedidos de piezas /
servicio..... Pág. posterior

⚠ WARNING: To reduce the risk of injury, the user must read and understand the operator's manual before using this product.

⚠ AVERTISSEMENT : Pour réduire les risques de blessures, l'utilisateur doit lire et veiller à bien comprendre le manuel d'utilisation avant d'employer ce produit.

⚠ ADVERTENCIA: Para reducir el riesgo de lesiones, el usuario debe leer y comprender el manual del operador antes de usar este producto.

**SAVE THIS MANUAL FOR
 FUTURE REFERENCE**

**CONSERVER CE MANUEL
 POUR FUTURE RÉFÉRENCE**

**GUARDE ESTE MANUAL
 PARA FUTURAS CONSULTAS**

IMPORTANT SAFETY INSTRUCTIONS

WARNING!

READ AND UNDERSTAND ALL INSTRUCTIONS.

Failure to follow all instructions listed below, may result in electric shock, fire and/or serious personal injury.

WARNING!

When using electric appliances, basic precautions should always be followed, including the following:

- **Read all the instructions before using the appliance.**
- **To reduce the risk of injury, close supervision is necessary when an appliance is used near children.**
- **To reduce the risk of electrical shock, do not put light or charger in water or other liquid.** Do not place or store appliance where it can fall or be pulled into a tub or sink.
- **Use only the charger supplied by the manufacturer to recharge.**
- **Use battery only with charger listed.** For use with 18 V lithium-ion battery packs, see tool/appliance/battery pack/charger correlation supplement 987000-432.
- **Use only recommended battery pack.** Any attempt to use another battery pack will cause damage to your light and could possibly explode, cause a fire, or personal injury.
- **Remove battery pack from light before performing any routine maintenance or cleaning.**
- **Do not disassemble the light.**
- **Do not place light or battery pack near fire or heat.** They may explode. Also, **do not** dispose of a worn out battery pack by incinerating. Do not incinerate the battery, even if it is severely damaged or completely worn out. The battery may explode in fire.
- **Do not operate light or charger near flammable liquids or in gaseous or explosive atmospheres.** Internal sparks may ignite fumes.
- **Do not store your light in a damp or wet location. Do not store in locations where the temperature is less than 50°F or more than 100°F.** Do not store in outside sheds or in vehicles.
- **Do not permit children to use light, lens, and surrounding housing.**

- **Keep light dry, clean, and free from oil and grease.** Always use a clean cloth when cleaning. Never use brake fluids, gasoline, petroleum-based products, or any strong solvent to clean the light.
- **Don't expose light to rain.** Water entering a power tool will increase the risk of electric shock or malfunction.
- **Do not overreach. Keep proper footing and balance at all times.** Proper footing and balance enable better control of the light in unexpected situations. Do not use on a ladder or unstable support.

LIGHT USE AND CARE

- **This product is for household use only.**
- **Store light out of the reach of children and other untrained persons.** Flashlights are dangerous in the hands of untrained users.
- **Do not use or permit use of light in bed or sleeping bags.** This light lens can melt fabric and a burn injury could result.

SAFETY RULES FOR LIGHT

- **Always remove battery pack before storing the device.**
- **Under extreme usage or temperature conditions, battery leakage may occur.** If liquid comes in contact with your skin, wash immediately with soap and water. If liquid gets in your eyes, flush them with clean water for at least 10 minutes, then seek immediate medical attention.
- **Batteries can explode in the presence of a source of ignition, such as a pilot light.** To reduce the risk of serious personal injury, never use any cordless product in the presence of open flame. An exploded battery can propel debris and chemicals. If exposed, flush with water immediately.
- **Do not crush, drop or damage battery pack. Do not use a battery pack or charger that has been dropped or received a sharp blow.** A damaged battery is subject to explosion. Properly dispose of a dropped or damaged battery immediately. Failure to heed this warning can result in serious personal injury.
- **Save these instructions.** Refer to them frequently and use them to instruct others who may use this tool. If you loan someone this tool, loan them these instructions also.

SAVE THESE INSTRUCTIONS

ELECTRICAL

DOUBLE INSULATION

Double insulation is a concept in safety in electric products, which eliminates the need for the usual three-wire grounded power cord. All exposed metal parts are isolated from the internal metal components with protecting insulation. Double insulated products do not need to be grounded.

WARNING:

The double insulated system is intended to protect the user from shock resulting from a break in the product's internal wiring. Observe all normal safety precautions to avoid electrical shock.

NOTE: Servicing of a product with double insulation requires extreme care and knowledge of the system and should be performed only by a qualified service technician. For service, we suggest you return the product to your nearest authorized service center for repair. Always use original factory replacement parts when servicing.

ELECTRICAL CONNECTION

This is a hybrid product capable of operating on alternating current (AC) through an extension cord or direct current (DC) through a battery pack. If the product does not operate when an extension cord or battery pack is installed, double-check the power supply.

- To use alternating current, connect the product to a **power supply that is 120 volts, AC only (normal household current), 60 Hz.**
- To use direct current, install a **manufacturer-recommended 18 volt battery pack only.**

NOTE: Do not operate this product on direct current through an extension cord. Doing so would cause a substantial voltage drop, which will cause a loss of power and could cause the product to overheat.

EXTENSION CORDS

When using a product at a considerable distance from a power source, be sure to use an extension cord that has the capacity to handle the current the product will draw. An undersized cord will cause a drop in line voltage, resulting in overheating and loss of power. Use the chart to determine the minimum wire size required in an extension cord. Only round jacketed cords listed by Underwriter's Laboratories (UL) should be used.

When using this product outdoors, use an extension cord that is designed for outside use. This type of cord is designated with "WA" or "W" on the cord's jacket.

Before using any extension cord, inspect it for loose or exposed wires and cut or worn insulation.

**Ampere rating (on product data plate)

0-2.0 2.1-3.4 3.5-5.0 5.1-7.0 7.1-12.0 12.1-16.0

| Cord Length | Wire Size (A.W.G.) | | | | | |
|-------------|--------------------|---------|---------|---------|----------|-----------|
| | 0-2.0 | 2.1-3.4 | 3.5-5.0 | 5.1-7.0 | 7.1-12.0 | 12.1-16.0 |
| 25' | 16 | 16 | 16 | 16 | 14 | 14 |
| 50' | 16 | 16 | 16 | 14 | 14 | 12 |
| 100' | 16 | 16 | 14 | 12 | 10 | — |

**Used on 12 gauge - 20 amp circuit

NOTE: AWG = American Wire Gauge

WARNING:




Keep the extension cord clear of the working area. Position the cord so that it will not get caught on lumber, tools, or other obstructions while you are working with this product. Failure to do so can result in serious personal injury.

WARNING:









Check extension cords before each use. If damaged replace immediately. Never use a product with a damaged cord since touching the damaged area could cause electrical shock resulting in serious injury.

SYMBOLS

The following signal words and meanings are intended to explain the levels of risk associated with this product.

| SYMBOL | SIGNAL | MEANING |
|---|-----------------|--|
|  | DANGER: | Indicates a hazardous situation, which, if not avoided, will result in death or serious injury. |
|  | WARNING: | Indicates a hazardous situation, which, if not avoided, could result in death or serious injury. |
|  | CAUTION: | Indicates a hazardous situation, that, if not avoided, may result in minor or moderate injury. |
| | NOTICE: | (Without Safety Alert Symbol) Indicates information considered important, but not related to a potential injury (e.g. messages relating to property damage). |

Some of the following symbols may be used on this product. Please study them and learn their meaning. Proper interpretation of these symbols will allow you to operate the product better and safer.

| SYMBOL | NAME | DESIGNATION/EXPLANATION |
|---|------------------------|--|
|  | Safety Alert | Indicates a potential personal injury hazard. |
|  | Read Operator's Manual | To reduce the risk of injury, user must read and understand operator's manual before using this product. |
|  | Wet Conditions Alert | Do not expose to rain or use in damp locations. |
|  | Electric Shock | To reduce the risk of electrocution or electric shock, keep away from water and do not use with damaged power cord. |
|  | Recycle Symbols | This product uses lithium-ion (Li-ion) batteries. Local, state or federal laws may prohibit disposal of batteries in ordinary trash. Consult your local waste authority for information regarding available recycling and/or disposal options. |
| V | Volts | Voltage |
| A | Amperes | Current |
| Hz | Hertz | Frequency (cycles per second) |
| W | Watt | Power |
| min | Minutes | Time |
|  | Direct Current | Type or a characteristic of current |
|  | Alternating Current | Type of current |
|  | Class II Tool | Double-insulated construction |

ASSEMBLY

WARNING:

Do not use this product if it is not completely assembled or if any parts appear to be missing or damaged. Use of a product that is not properly and completely assembled or with damaged or missing parts could result in serious personal injury.

WARNING:

Do not attempt to modify this product or create accessories or attachments not recommended for use with this product. Any such alteration or modification is misuse and could result in a hazardous condition leading to possible serious personal injury.

If any parts are damaged or missing, please call 1-800-525-2579 for assistance.

FEATURES

PRODUCT SPECIFICATIONS

Light OutputOver 1,200 Lumens
Kelvin rating.....2,700K - 5,000 K

RuntimeApproximately 24 hours

OPERATION

WARNING:

Do not direct the light beam at persons or animals and do not stare into the light beam yourself (not even from a distance). Staring into the light beam may result in serious injury or vision loss.

WARNING:

Do not allow familiarity with battery products to make you careless. Remember that a careless fraction of a second is sufficient to inflict serious injury.

WARNING:

Do not use any attachments or accessories not recommended by the manufacturer of this product. The use of attachments or accessories not recommended can result in serious personal injury.

NOTICE:

This product is designed to be powered by either a Ryobi™ One+™ 18V battery pack (DC mode) or by 120V wall outlet (AC mode). Either power source can be used by installing an approved battery pack or power cord into the product as described in this manual.

APPLICATIONS

You may use this product for the purpose listed below:

- Large surface area lighting in applications where color temperature adjustment is needed

WARNING:

Hybrid products are always in operating condition. Therefore, the product should always be in the OFF position, with the battery pack removed and power cord disconnected, when not in use. Do not leave light on while unattended. Failure to follow these instructions could result in serious personal injury.

OPERATION

INSTALLING/REMOVING BATTERY PACK

See Figure 1, page 8.

- Insert the battery pack into the product as shown.
- Make sure the latches on each side of the battery pack snap into place and the battery pack is secured before beginning operation.
- Depress the latches to remove the battery pack.

For complete charging instructions, refer to the Operator's Manuals for your battery pack and charger models.

WARNING:

Always remove battery pack or disconnect power cord from the product when you are assembling parts, making adjustments, cleaning, or when not in use. Removing battery pack or disconnecting power cord will prevent accidental starting that could cause serious personal injury.

INSTALLING/REMOVING POWER CORD

See Figure 2, page 8.

WARNING:

Do not route cord under carpets, rugs, runners, furniture, or appliances and always route cord away from traffic areas to prevent a tripping hazard.

- Remove the battery pack.
- Insert the female end of the power cord into the product as shown.
- Connect the male end of the power cord to the power source.
- Make sure the power cord is secured before beginning operation.

WARNING:

Keep light away from combustible materials. If wrapped or in contact with fabrics, the work light lens can produce sufficient heat to melt some fabrics. To avoid serious personal injury, never allow the work light lens to come in contact with anything.

ADJUSTABLE HEAD

See Figure 3, page 8.

CAUTION:

Do not place hands or fingers between adjustable head and frame when positioning work light to avoid pinching your fingers or hands.

To adjust the direction of the light, twist the adjustment knob counterclockwise. Rotate the light head to the desired position and turn the adjustment knob clockwise to tighten.

POWER BUTTON

See Figure 4, page 9.

The light will be in the OFF position until the power button is pressed.

- Connect the product to an AC or DC power supply.
- Press and release the power button three times to turn the light on and cycle through high, medium, and low brightness levels.
- Pressing and releasing the power button a fourth time turns the light OFF.

NOTE: This light is equipped with a low voltage indicator. If the light flashes 3 times while a battery pack is installed, this indicates a low charge condition. Three additional flashes indicate that shutdown will follow quickly. Install a charged battery pack and resume operation.

CORRELATED COLOR TEMPERATURE (CCT)

See Figure 5, page 9.

Correlated color temperature (CCT) defines the color appearance of a white LED. This light allows you to select the color appearance by rotating the power button.

- Turn the power button all the way counterclockwise to select the coolest lighting temperature.
- Turn the power button gradually clockwise to select lighting in the neutral temperature range.
- Continue to turn the power button clockwise and the color temperature will become warmer.
- At any point in color temperature selection, you can select a high, medium, or low light intensity.

OPERATION

MOUNTING THE CCT LIGHT

See Figures 6 - 7, page 9.

WARNING:

Only hang or mount CCT light in an area where no electrical wires, utility cables, pipes, or other obstructions are located. Contact your local utility company or a qualified electrician if you are unsure. Do not hang light from any electrical power cord. Ensure light is securely installed to prevent falling object hazard. Failure to follow these instructions can result in electrocution, electrical shock, or other serious personal injury.

The light can be mounted to fit the application and work environment. It may be used as a freestanding unit by placing the light on its base on a flat surface.

NOTE: Be careful not to mount or hang the light in such a way that it prevents normal operation or damages the cord.

Mounting holes:

Hang or mount the light from a sturdy location using screws. The mounting holes are designed for slide-mounting the base of the light onto the screws. Center distance between the holes is 2-1/2 in.

Tripod mount:

The light may be mounted onto a tripod using the 1/4-20 insert in the base plate of the light. Screw the tripod into the hole on the base of the light.

NOTE: An adaptor is included with this product for compatibility with HUSKY brand tripods.

MAINTENANCE

WARNING:

When servicing, use only identical replacement parts. Use of any other parts may create a hazard or cause product damage.

NOTICE:

The LEDs cannot be replaced. Any attempt to replace the LEDs may damage the light.

GENERAL MAINTENANCE

Avoid using solvents when cleaning plastic parts. Most plastics are susceptible to damage from various types of commercial solvents and may be damaged by their use.

STORAGE

Store indoors in a dry, locked-up place, out of the reach of children, with the battery pack removed and power cord disconnected. Keep away from corrosive agents such as garden chemicals and de-icing salts.

NOTE: ILLUSTRATIONS BEGIN ON PAGE 8 FOLLOWING FRENCH AND SPANISH LANGUAGE SECTIONS.

INSTRUCTIONS IMPORTANTES CONCERNANT LA SÉCURITÉ

AVERTISSEMENT !

LIRE ET VEILLER À BIEN COMPRENDRE TOUTES LES INSTRUCTIONS. Le non-respect de toutes les instructions ci-dessous peut entraîner un choc électrique, un incendie et/ou des blessures graves.

AVERTISSEMENT !

Au moment d'utiliser les appareils électriques, les précautions de base doivent être prises, y compris ce qui suit :

- Lire toutes les instructions avant d'utiliser l'appareil.
- Pour réduire le risque de blessures, une bonne surveillance est nécessaire quand un appareil est utilisé à proximité des enfants.
- Pour réduire le risque d'un choc électrique, ne pas mettre la projecteur ou le chargeur dans l'eau ou autre liquide. Ne pas placer ou entreposer l'appareil dans un endroit où il peut tomber ou être entraîné dans une baignoire ou un évier.
- N'utiliser que le chargeur fournit par le fabricant pour recharge.
- Ne recharger les piles qu'avec l'appareil indiqué. Pour utiliser l'appareil avec des piles au lithium-ion de 18 V, consulter le supplément de raccordement pour chargeur/outils/piles/appareil n° 987000-432.
- N'utiliser que le bloc-pile recommandé. L'utilisation de tout autre le bloc-pile endommagerait la projecteur et pourrait causer une explosion, un incendie et des blessures.
- Retirer le bloc de piles de la projecteur avant d'effectuer toute opération de nettoyage ou d'entretien.
- Ne pas démonter la projecteur.
- Ne pas placer la projecteur ou le bloc-pile à proximité de flammes ou d'une source de chaleur. Ils peuvent exploser. Également, ne pas incinérer une pile usée. Ne pas incinérer la pile, même si elle est complètement usée ou très endommagée. La pile peut exploser dans le feu.
- Ne pas utiliser projecteur ou le chargeur à proximité de liquides explosifs, en présence de gaz ou dans une atmosphère explosive. Les étincelles internes peuvent enflammer les vapeurs.
- Ne pas remiser la projecteur dans un endroit humide ou mouillé. Ne pas remiser dans des emplacements où la température est inférieure 10 °C (50 °F) à ou supérieure à 38 °C (100 °F). Ne pas remiser dans un remise extérieure ou dans un véhicule.
- Ne pas laisser des enfants utiliser la projecteur, lentille et el boîtier.
- Garder la projecteur sèche, propre et exempte d'huile ou de graisse. Toujours utiliser un chiffon propre pour le nettoyage. Ne jamais utiliser de liquide de freins, d'essence, de produits à base de pétrole ou de solvants puissants pour nettoyer la lampe.

- Ne pas exposer la projecteur à la pluie. La pénétration d'eau dans des outils électriques accroît le risque de choc électrique ou de problèmes de fonctionnement.
- Ne pas travailler hors de portée. Toujours se tenir bien campé et en équilibre. Une bonne tenue et un bon équilibre permettent de mieux contrôler la lampe en cas de situation imprévue. Ne pas utiliser la lampe sur une échelle ou un support instable.

UTILISATION ET ENTRETIEN DE LA LAMPE D'ÉCLAIRAGE DE SURFACE

- Ce produit est pour usage domestique seulement.
- Ranger la projecteur hors de portée des enfants et des personnes n'ayant pas reçu de formation adéquate. Dans les mains de personnes n'ayant pas reçu des instructions adéquates, les lampes de torche sont dangereuses.
- Ne pas utiliser ou permettre l'utilisation de la lampe au lit ou dans un sac de couchage. Le diffuseur peut fondre certains tissus et causer des brûlures.

RÈGLES DE SÉCURITÉ POUR LAMPE D'ÉCLAIRAGE DE SURFACE

- Toujours retirer le bloc-piles avant d'entreposer le dispositif.
- Si l'outil est utilisé de façon intensive ou sous des températures extrêmes, des fuites de pile peuvent se produire. En cas de contact du liquide avec la peau, rincer immédiatement la partie atteinte avec de l'eau savonneuse. En cas d'éclaboussure dans les yeux, les rincer à l'eau fraîche pendant au moins 10 minutes, puis contacter immédiatement un médecin.
- Les piles peuvent exploser en présence d'une source d'allumage, telle qu'une veilleuse. Pour réduire les risques de blessures graves, ne jamais utiliser un appareil sans fil, quel qu'il soit, en présence d'une flamme vive. En explosant, une pile peut projeter des débris et des produits chimiques. En cas d'exposition, rincer immédiatement les parties atteintes avec de l'eau.
- Ne pas écraser, faire tomber ou endommager le bloc-pile. Ne jamais utiliser un bloc des piles ou un chargeur qui est tombé, a été écrasé, a reçu un choc violent ou a été endommagé de quelque façon que ce soit. Une pile endommagée risque d'exploser. Éliminer immédiatement toute pile endommagée, selon une méthode appropriée. Le non respect de cette mise en garde peut entraîner des blessures graves.
- Conserver ces instructions. Les consulter fréquemment et les utiliser pour instruire les autres utilisateurs éventuels. Si cet produit est prêté, il doit être accompagné de ces instructions.

CONSERVER CES INSTRUCTIONS

CARACTÉRISTIQUES ÉLECTRIQUES

DOUBLE ISOLATION

La double isolation est un dispositif de sécurité utilisé sur les produits à moteur électriques, éliminant le besoin de cordon d'alimentation habituel à trois fils avec terre. Toutes les pièces métalliques exposées sont isolées des composants internes par l'isolation protectrice. Les produits à double isolation ne nécessitent pas de mise à la terre.

AVERTISSEMENT :

Le système à double isolation est conçu pour protéger l'utilisateur contre les chocs électriques causés par une rupture du câblage interne de l'produit. Prendre toutes les précautions de sécurité normales pour éviter les chocs électriques.

NOTE : La réparation d'un produit à double isolation exigeant des précautions extrêmes ainsi que la connaissance du système, elle ne doit être confiée qu'à un réparateur qualifié. En ce qui concerne les réparations, nous recommandons de confier l'produit au centre de réparation le plus proche. Utiliser exclusivement des pièces d'origine pour les réparations.

CONNEXIONS ÉLECTRIQUES

Ce produit hybride peut fonctionner avec du courant alternatif (ca) grâce à une rallonge électrique ou avec du courant continu (cc) grâce à un bloc-piles. Si le produit ne fonctionne ni avec une rallonge électrique ni avec le bloc-piles, double-vérifiez l'alimentation électrique.

- Pour utiliser du courant alternatif, branchez le produit à une **source d'alimentation de 120 V, ca seulement (courant normal d'une demeure), 60 Hz.**
- Pour utiliser du courant continu, installez **seulement un bloc-piles de 18 V recommandé par le fabricant.**

NOTE : Ne faites pas fonctionner ce produit au courant continu par une rallonge électrique, ce qui pourrait causer une baisse importante de tension et une coupure de courant; le produit pourrait alors surchauffer.

CORDONS PROLONGATEURS

Lors de l'utilisation d'un outil électrique à grande distance d'une prise secteur, veiller à utiliser un cordon prolongateur d'une capacité suffisante pour supporter l'appel de courant de l'produit. Un cordon de capacité insuffisante causerait une baisse de la tension de ligne, entraînant une perte de puissance et une surchauffe. Se reporter au tableau ci-dessous pour déterminer le calibre minimum de fil requis pour

un cordon donné. Utiliser exclusivement des cordons à gaine cylindrique homologués par Underwriter's Laboratories (UL).

Pour le travail à l'extérieur, utiliser un cordon prolongateur spécialement conçu à cet effet. Ce type de cordon porte l'inscription « WA » ou « W » sur sa gaine.

Avant d'utiliser un cordon prolongateur, vérifier que ses fils ne sont ni détachés ni exposés et que son isolation n'est ni coupée, ni usée.

**Intensité nominale (sur la plaquette signalétique de l'produit)

| Longueur du cordon | Calibre de fil (A.W.G.) | | | | | |
|--------------------|-------------------------|---------|---------|---------|----------|-----------|
| | 0-2,0 | 2,1-3,4 | 3,5-5,0 | 5,1-7,0 | 7,1-12,0 | 12,1-16,0 |
| 25' | 16 | 16 | 16 | 16 | 14 | 14 |
| 50' | 16 | 16 | 16 | 14 | 14 | 12 |
| 100' | 16 | 16 | 14 | 12 | 10 | — |

**Utilisé sur circuit de calibre 12 – 20 A

NOTE : AWG = American Wire Gauge

AVERTISSEMENT :




Maintenir le cordon prolongateur à l'écart de la zone de travail. Lors du travail avec un cordon électrique, placer le cordon de manière à ce qu'il ne risque pas de se prendre dans les pièces de bois, produits et autres obstacles. Ne pas prendre cette précaution peut entraîner des blessures graves.

AVERTISSEMENT :







Vérifier l'état des cordons prolongateurs avant chaque utilisation. Remplacer immédiatement tout cordon endommagé. Ne jamais utiliser un produit dont le cordon d'alimentation est endommagé, car tout contact avec la partie endommagée pourrait causer un choc électrique et des blessures graves.

SYMBOLES

Les termes de mise en garde suivants et leur signification ont pour but d'expliquer le degré de risques associé à l'utilisation de ce produit.

| SYMBOLE | SIGNAL | SIGNIFICATION |
|---|------------------------|--|
|  | DANGER : | Indique une situation dangereuse qui, si elle n'est pas évitée, aura pour conséquences des blessures graves ou mortelles. |
|  | AVERTISSEMENT : | Indique une situation dangereuse qui, si elle n'est pas évitée, pourrait entraîner des blessures graves ou mortelles. |
|  | ATTENTION : | Indique une situation dangereuse qui, si elle n'est pas évitée, pourrait entraîner des blessures légères ou de gravité modérée. |
| | AVIS : | (Sans symbole d'alerte de sécurité) Indique les informations jugées importantes sans toutefois représenter un risque de blessure (ex. : messages concernant les dommages matériels). |

Certains des symboles ci-dessous peuvent être utilisés sur produit. Veiller à les étudier et à apprendre leur signification. Une interprétation correcte de ces symboles permettra d'utiliser produit plus efficacement et de réduire les risques.

| SYMBOLE | NOM | DÉSIGNATION / EXPLICATION |
|---|-------------------------------------|--|
|  | Symbole d'alerte de sécurité | Indique un risque de blessure potentiel. |
|  | Lire le manuel d'utilisation | Pour réduire les risques de blessures, l'utilisateur doit lire et veiller à bien comprendre le manuel d'utilisation avant d'utiliser ce produit. |
|  | Avertissement concernant l'humidité | Ne pas exposer à la pluie ou l'humidité. |
|  | Choc électrique | Pour réduire le risque d'électrocution ou de décharge électrique, garder la lampe éloignée de l'eau et ne pas l'utiliser lorsque le cordon d'alimentation est endommagé. |
|  | Símbolo de reciclado | Este producto contiene baterías de iones de litio (Li-ion). Es posible que algunas leyes municipales, estatales o federales prohíban desechar las baterías en la basura normal. Consulte a las autoridades reguladoras de desechos para obtener información en relación con las alternativas de reciclado y desecho disponibles. |
| V | Volts | Tension |
| A | Ampères | Intensité |
| Hz | Hertz | Fréquence (cycles par seconde) |
| W | Watt | Alimentation |
| min | Minutes | Temps |
| ≡ | Courant continu | Type ou caractéristique du courant |
| ~ | Courant alternatif | Type de courant |
|  | Outil de la classe II | Construction à double isolation |

ASSEMBLAGE

AVERTISSEMENT :

Ne pas utiliser le produit s'il n'est pas complètement assemblé ou si des pièces semblent manquantes ou endommagées. L'utilisation d'un produit dont l'assemblage est incorrect ou incomplet ou comportant des pièces endommagées ou absentes représente un risque de blessures graves.

AVERTISSEMENT :

Ne pas essayer de modifier cet outil ou de créer des pièces et accessoires non recommandés. De telles altérations ou modifications sont considérées comme un usage abusif et peuvent créer des conditions dangereuses, risquant d'entraîner des blessures graves.

Si des pièces manquent ou sont endommagées, veuillez appeler au 1-800-525-2579 pour obtenir de l'aide.

CARACTÉRISTIQUES

FICHE TECHNIQUE

Flux lumineuxPlus de 1200 lumens
Échelle kelvin2700 K - 5000 K

Temps de fonctionnement..... Environ 24 heures

UTILISATION

AVERTISSEMENT :

Ne pas diriger le faisceau lumineux vers des personnes ou des animaux et ne pas fixer le faisceau (même à bonne distance). Le fait de fixer le faisceau peut causer des blessures graves et même entraîner la perte de la vue.

AVERTISSEMENT :

Ne pas laisser la familiarité avec l'outil faire oublier la prudence. Ne pas oublier qu'une fraction de seconde d'inattention peut entraîner des blessures graves.

AVERTISSEMENT :

Ne pas utiliser d'outils ou accessoires non recommandés par le fabricant pour cet outil. L'utilisation de pièces et accessoires non recommandés peut entraîner des blessures graves.

AVIS :

Ce produit a été conçu pour être alimenté par un bloc-piles de 18 V Ryobi™ One+™ (mode CC) ou prise murale de 120 V (mode CA). L'une des sources d'alimentation peut être utilisée soit par un bloc-piles approuvé ou par le cordon d'alimentation du produit, comme décrit dans ce manuel.

APPLICATIONS

Cet outil peut être utilisé pour l'application ci-dessous :

- Une grande surface d'éclairage pour les applications où il est nécessaire de régler la température de couleur

AVERTISSEMENT :

Les outils hybrides sont toujours en état de marche. Cependant, l'appareil doit toujours être en position D'ARRÊT, d'en avoir retiré le bloc-pile et d'avoir débranché le cordon d'alimentation dès la fin de son utilisation. Ne pas laisser la lampe allumée sans surveillance. Ne pas respecter ces instructions de sécurité peut entraîner des blessures graves.

UTILISATION

INSTALLATION/RETRAIT DU BLOC-PILES

Voir la figure 1, page 8.

- Insérer la bloc-piles dans l'outil tel qu'illustré.
- S'assurer que ses deux loquets latéraux s'engagent correctement et vérifier que le bloc-piles est solidement assujéti avant d'utiliser produit.
- Relâcher les loquets pour retirer le bloc-piles.

Pour prendre connaissance des consignes de chargement, consulter le manuel d'utilisation des piles et des chargeurs.

AVERTISSEMENT :

Toujours retirer le bloc-piles o cordon prolongateur de le produit au moment d'assembler des pièces, d'effectuer des réglages et de procéder au nettoyage, ou lorsque l'outil n'est pas utilisé. Le fait de retirer la pile o cordon prolongateur permet d'empêcher un démarrage accidentel pouvant entraîner des blessures graves.

INSTALLATION/RETRAIT DU CORDON D'ALIMENTATION

Voir la figure 2, page 8.

AVERTISSEMENT :

Ne pas acheminer le cordon sous les carpettes, tapis, coulisseaux, meubles ou appareils et de toujours l'éloigner des zones de circulation piétonnière pour éviter les risques de trébuchement.

- Retirer le bloc-pile.
- Insérer la partie femelle du cordon d'alimentation dans le produit, comme illustré.
- Raccorder la fiche du cordon d'alimentation dans une source d'énergie.
- S'assurer que le cordon d'alimentation est raccordé correctement avant d'allumer le produit.

AVERTISSEMENT :

Se tenir lampe à l'écart des matériaux inflammables. Si la lampe est enveloppée ou en contact avec un tissu, le diffuseur peut dégager une chaleur suffisante pour fondre certains matériaux. Pour éviter des blessures graves, ne jamais laisser le diffuseur de la lampe entrer en contact avec quoi que ce soit.

TÊTE RÉGLABLE

Voir la figure 3, page 8.

ATTENTION :

Ne pas placer les mains ou les doigts entre la tête et le cadre réglables lorsque de son positionnement pour éviter les pincements.

Pour régler la direction de la lampe, tourner le bouton de réglage dans le sens antihoraire. Faire pivoter le haut de la lampe à la position désirée et tourner le bouton de réglage dans le sens horaire pour serrer.

BOUTON D'ALIMENTATION

Voir la figure 4, page 9.

La lampe sera en position éteinte (OFF) jusqu'à ce qu'on appuie sur le bouton d'alimentation.

- Raccorder la lampe à une source d'énergie CA ou CC.
- Appuyer et relâcher trois fois le bouton d'alimentation pour allumer la lampe et passer aux modes de luminosité élevée, moyenne et faible.
- Appuyer et relâcher une quatrième fois le bouton d'alimentation pour éteindre la lampe.

NOTE : Cette lampe comporte un indicateur de basse tension. Une lumière qui clignote trois fois alors qu'un bloc-piles est en place signifie que la charge est faible. Un voyant qui clignote trois fois supplémentaires indique que la lampe s'éteindra rapidement. Installer un bloc-piles chargé et reprendre le travail.

TEMPÉRATURE DE COULEUR PROXIMALE (CCT)

Voir la figure 5, page 9.

La température de couleur proximale (CCT) définit l'apparence de la couleur d'une DEL blanche. Cette lampe vous permet de sélectionner l'apparence de la couleur en tournant le bouton d'alimentation.

- Tourner complètement le bouton d'alimentation dans le sens antihoraire pour sélectionner la température de couleur la plus froide.
- Tourner graduellement le bouton d'alimentation dans le sens horaire pour sélectionner l'éclairage de la gamme de température neutre.
- Il suffit de continuer à tourner le bouton d'alimentation dans le sens horaire pour que la température de couleur devienne plus chaude.
- À tout moment lors de la sélection de la température de couleur, vous pouvez sélectionner une intensité d'éclairage élevée, moyenne, ou faible.

UTILISATION

PENDRE LE LAMPE CCT

Voir les figures 6 - 7, page 9.

AVERTISSEMENT :

Suspendre ou monter seulement la lampe CCT dans un endroit sans fils électriques, où se trouvent des câbles de service utilitaire ou d'autres obstructions peuvent s'y retrouver. Communiquer avec l'entreprise de service d'utilité ou un électricien qualifié en cas de doute. Ne pas utiliser aucun fil électrique pour suspendre la lampe. S'assurer que l'installation de la lampe est stable afin de prévenir les risques de chute d'objet. Ne pas respecter ces instructions de sécurité représente un risque d'électrocution, de décharge électrique et de blessures graves.

La lampe peut être montée pour s'adapter à l'application et à l'environnement de travail. Elle peut être utilisée comme unité autonome en plaçant la lampe sur sa base et sur une surface plane.

NOTE : Prendre soin de ne pas suspendre le produit de manière à nuire au fonctionnement normal du produit ou pouvant endommager le cordon d'alimentation.

Trous de montage :

Suspendre ou monter la lampe à partir d'un emplacement solide à l'aide de vis. Les trous de montage sont conçus pour faire glisser la base de montage de la lampe sur les vis. La distance entre le centre des trous est de 63,50 mm (2,5 po).

Montage sur trépied :

La lampe peut être montée sur un trépied à l'aide des écrous rapportés 1/4-20 de la plaque de base de la lampe. Visser le trépied dans le trou situé sur la base de la lampe.

NOTE : Un adaptateur est inclus avec ce produit pour la compatibilité avec les trépieds de la marque HUSKY.

ENTRETIEN

AVERTISSEMENT :

Utiliser exclusivement des pièces d'origine pour les réparations. L'usage de toute autre pièce pourrait créer une situation dangereuse ou endommager l'produit.

AVIS :

Les DEL ne sont pas remplaçables. Toute tentative de remplacement des DEL risque d'endommager le projecteur.

ENTRETIEN GÉNÉRAL

Éviter d'utiliser des solvants pour le nettoyage des pièces en plastique. La plupart des matières plastiques peuvent être endommagées par divers types de solvants du commerce. Utiliser un chiffon propre pour éliminer la saleté, la poussière, l'huile, la graisse, etc.

RANGEMENT

Ranger à l'intérieur dans un endroit sec et verrouillé, hors de la portée des enfants, d'enlever le bloc-pile. Garder éloigné des agents corrosifs comme les produits chimiques de jardinage et les sels fondants.

**NOTE : ILLUSTRATIONS COMMENÇANT SUR
8 DE PAGE APRÈS LA SECTION ESPANOL.**

INSTRUCCIONES DE SEGURIDAD IMPORTANTES

¡ADVERTENCIA!

LEA Y COMPRENDA TODAS LAS INSTRUCCIONES. El incumplimiento de las instrucciones señaladas enseguida puede causar descargas eléctricas, incendios y lesiones serias.

¡ADVERTENCIA!

Siempre se deben tomar precauciones básicas al usar aparatos eléctricos, incluidas las siguientes:

- **Lea todas las instrucciones antes de usar el aparato.**
- **Para reducir el riesgo de lesiones, se requiere una estrecha supervisión cuando se use el aparato cerca de niños.**
- **Para reducir el riesgo de descarga eléctrica, no ponga el luz de área ni el cargador en el agua ni en otro líquido.** No coloque ni guarde el aparato donde pueda caer o ser arrastrado a una bañera, lavamanos o fregadero.
- **Use únicamente el cargador suministrado por el fabricante para recargar el aparato.**
- **Cargue las baterías solamente con el cargador indicado.** Para utilizar con paquetes de baterías de litio de 18 V, consulte el folleto de la herramienta/aparato/paquete de baterías/cargador complementario 987000-432.
- **Utilice solamente la baterías recomendados.** Cualquier intento de utilizar otra baterías causará daños a el luz de área y posiblemente podría explotar, causando un incendio o lesiones corporales.
- **Retire de la luz de trabajo el paquete de baterías antes de reemplazar el foco o de realizar cualquier tarea rutinaria de mantenimiento o limpieza.**
- **No desarme el luz de área.**
- **No coloque el luz de área ni la baterías cerca del fuego o del calor.** Pueden explotar. Además, **no deseche la baterías incinerándola cuando se agote.** No incinere la baterías, incluso si está seriamente dañada o completamente agotada. La baterías puede estallar e inflamarse.
- **No utilice el luz de área ni el cargador cerca de líquidos inflamables ni en entornos gaseosos o explosivos.** Las chispas internas pueden inflamar las emanaciones.
- **No guarde el luz de área en lugares mojados o húmedos. No guarde la unidad en lugares donde la temperatura sea inferior a 10 °C (50 °F) o superior a 38 °C (100 °F).** No guarde la unidad a la intemperie ni en el interior de vehículos.
- **No permita que niños usen luz de áreas, lentes, y la vivienda de los alrededores.**

- **Mantenga la luz seca, limpia y libre de aceites y grasas.** Siempre utilice un paño limpio para limpiar la unidad. Nunca utilice fluidos para frenos, gasolina, productos a base de petróleo ni disolventes fuertes para limpiar el luz de área.
- **No exponga el luz de área a la lluvia.** El agua que penetra a una herramienta eléctrica aumenta el riesgo de descargas eléctricas o mal funcionamiento.
- **No estire el cuerpo para alcanzar un distancia mayor a la natural. Mantenga una postura firme y buen equilibrio en todo momento.** Una postura firme y un buen equilibrio permiten un mejor control de el luz de área en situaciones inesperadas. No utilice la unidad al estar en una escalera o en un soporte inestable.

EMPLEO Y CUIDADO DE EL LUZ DE ÁREA

- **Este producto es para uso casero.**
- **Guarde el luz de área fuera del alcance de los niños y de toda persona no capacitada en el uso de la misma.** Las luzs de trabajo son peligrosas en manos de personas no capacitadas en su uso.
- **No use ni permita que se use el luz de área al estar en cama ni en sacos de dormir.** La lente de esta luz de área puede derretir telas, con lo cual podrían resultar lesiones por quemadura.

REGLAS DE SEGURIDAD PARA DE LUZ DE ÁREA

- **Siempre retire el paquete de baterías antes de guardar el dispositivo.**
- **En condiciones extremas de uso o temperatura es posible que se derrame fluido de la baterías.** Si el fluido llega a tocarle la piel, lávese de inmediato con agua y jabón. Si le entra líquido en los ojos, láveselos con agua limpia por lo menos 10 minutos, y después consiga atención médica de inmediato.
- **Las baterías pueden explotar en presencia de fuentes de inflamación, como los pilotos de gas.** Para reducir el riesgo de lesiones serias, nunca use un producto inalámbrico en presencia de llamas expuestas. La explosión de una batería puede lanzar fragmentos y compuestos químicos. Si ha quedado expuesto a la explosión de una batería, lávese de inmediato con agua.
- **No aplaste, deje caer o dañe de baterías. Nunca utilice una baterías o cargador que se ha caído, aplastado, recibido un golpe contundente o ha sido dañado(a) de alguna manera.** Las baterías dañadas pueden sufrir explosiones. Deseche de inmediato toda batería que haya sufrido una caída o cualquier daño. La inobservancia de esta advertencia puede causar lesiones corporales serias.
- **Guarde estas instrucciones.** Consúltelas con frecuencia y empléelas para instruir a otras personas que puedan utilizar esta herramienta. Si presta a alguien esta herramienta, facilítele también las instrucciones.

CONSERVEZ CES INSTRUCCIONES

ASPECTOS ELÉCTRICOS

DOBLE AISLAMIENTO

El doble aislamiento es una característica de seguridad de las productos eléctricas, la cual elimina la necesidad de usar el típico cordón eléctrico de tres conductores con conexión a tierra. Todas las partes metálicas expuestas están aisladas de los componentes metálicos internos por medio de aislamiento de protección. No es necesario conectar a tierra las productos con doble aislamiento.



ADVERTENCIA:

El sistema de doble aislamiento está destinado para proteger al usuario contra las descargas eléctricas resultantes de la ruptura del cableado interno de la producto. Observe todas las precauciones de seguridad para evitar descargas eléctricas.

NOTA: El mantenimiento de una producto con doble aislamiento requiere sumo cuidado y conocimiento del sistema, y únicamente deben realizarlo técnicos de servicio calificados. Para el servicio de la producto, le sugerimos llevarla al centro de servicio autorizado más cercano para toda reparación. Siempre utilice piezas de repuesto de la fábrica original al dar servicio a la unidad.

CONEXIÓN ELÉCTRICA

Este es un producto híbrido que funciona con corriente alterna (CA) mediante un cable de extensión o corriente continua (CC) mediante un paquete de baterías. Si el producto no funciona al instalar un cable de extensión o un paquete de baterías, vuelva a verificar la fuente de alimentación.

- Para usar corriente alterna, conecte el producto a una **fuentes de alimentación de 120 V, CA solamente (corriente utilizada comúnmente en los hogares) y 60 Hz.**
- Para usar corriente continua, instale **solo un paquete de baterías de 18 V recomendado por el fabricante.**

NOTA: No use el producto con corriente continua con un cable de extensión. Si lo hace, podría haber una caída importante de tensión, que causará la pérdida de alimentación y que el producto se sobrecaliente.

CORDONES DE EXTENSIÓN

Al utilizar una producto eléctrica a una distancia considerable de la fuente de voltaje, asegúrese de utilizar un cordón de extensión con la suficiente capacidad para soportar la corriente de consumo de la producto. Un cordón de un calibre insuficiente causa una caída en el voltaje de línea, la cual

a su vez produce recalentamiento y pérdida de potencia. Basese en la tabla suministrada para determinar el grueso mínimo requerido del cordón de extensión. Solamente deben utilizarse cordones con forro redondo registrados en Underwriter's Laboratories (UL).

Al trabajar a la intemperie con una producto, utilice un cordón de extensión fabricado para uso en el exterior. Este tipo de cordón lleva las letras "WA" o "W" en el forro.

Antes de utilizar un cordón de extensión, inspecciónelo para ver si tiene conductores flojos o expuestos y aislamiento cortado o gastado.

**Amperaje (aparece en la placa de datos de la producto)

0-2,0 2,1-3,4 3,5-5,0 5,1-7,0 7,1-12,0 12,1-16,0

| Longitud del cordón | Calibre conductores (A.W.G.) | | | | | |
|---------------------|------------------------------|----|----|----|----|----|
| | 16 | 16 | 16 | 16 | 14 | 14 |
| 25' | 16 | 16 | 16 | 16 | 14 | 14 |
| 50' | 16 | 16 | 16 | 14 | 14 | 12 |
| 100' | 16 | 16 | 14 | 12 | 10 | — |

**Se usa en los circuitos de calibre 12, de 20 amperes.

NOTA: AWG = Calibre conductores norma americana



ADVERTENCIA:

Mantenga el cordón de extensión fuera del área de trabajo. Al trabajar con una producto eléctrica, coloque el cordón de tal manera que no pueda enredarse en la madera, productos ni en otras obstrucciones. La inobservancia de esta advertencia puede causar lesiones serias.






ADVERTENCIA:







Inspeccione los cordones de extensión cada vez antes de usarlos. Si están dañados reemplácelos de inmediato. Nunca utilice la producto con un cordón dañado, ya que si toca la parte dañada puede producirse una descarga eléctrica, y las consecuentes lesiones serias.

SÍMBOLOS

Las siguientes palabras de señalización y sus significados tienen el objeto de explicar los niveles de riesgo relacionados con este producto.

| SÍMBOLO | SEÑAL | SIGNIFICADO |
|---|---------------------|---|
|  | PELIGRO: | Indica una situación peligrosa, la cual, si no se evita, causará la muerte o lesiones serias. |
|  | ADVERTENCIA: | Indica una situación peligrosa, la cual, si no se evita, podría causar la muerte o lesiones serias. |
|  | PRECAUCIÓN: | Indica una situación peligrosa, la cual, si no se evita, podría causar lesiones menores o leves. |
| | AVISO: | (Sin el símbolo de alerta de seguridad) Indica la información que se considera importante, pero no relacionada con lesiones potenciales (por ej. en relación a daños a la propiedad). |

Es posible que se empleen en este producto algunos de los siguientes símbolos. Le suplicamos estudiarlos y aprender su significado. Una correcta interpretación de estos símbolos le permitirá utilizar mejor y de manera más segura el producto.

| SÍMBOLO | NOMBRE | DENOMINACIÓN/EXPLICACIÓN |
|---|-------------------------------|--|
|  | Alerta de seguridad | Indica un peligro posible de lesiones personales. |
|  | Lea el manual del operador | Para reducir el riesgo de lesiones, el usuario debe leer y comprender el manual del operador antes de usar este producto. |
|  | Alerta de condiciones húmedas | No exponga la unidad a la lluvia ni la use en lugares húmedos. |
|  | Descarga eléctrica | Para reducir el riesgo de electrocución o descargas eléctricas, manténgalo alejado del agua y no lo utilice con cables dañados. |
|  | Símbolo de reciclado | Este producto contiene baterías de iones de litio (Li-ion). Es posible que algunas leyes municipales, estatales o federales prohíban desechar las baterías en la basura normal. Consulte a las autoridades reguladoras de desechos para obtener información en relación con las alternativas de reciclado y desecho disponibles. |
| V | Voltios | Voltaje |
| A | Amperios | Corriente |
| Hz | Hertz | Frecuencia (ciclos por segundo) |
| W | Watts | Potencia |
| min | Minutos | Tiempo |
| == | Corriente continua | Tipo o característica de corriente |
| ~ | Corriente alterna | Tipo de corriente |
|  | Fabricación Clase II | Fabricación con doble aislamiento |

ARMADO

ADVERTENCIA:

No use este producto si no está totalmente ensamblado o si alguna pieza falta o está dañada. El uso de un producto que no está adecuadamente y completamente ensamblado o posee partes dañadas o faltantes puede resultar en lesiones personales graves.

ADVERTENCIA:

No intente modificar este producto ni crear aditamentos o accesorios que no estén recomendados para usar con este producto. Dichas alteraciones o modificaciones constituyen un uso indebido y podrían provocar una situación de riesgo que cause posibles lesiones personales graves.

Si des pièces manquent ou sont endommagées, veuillez appeler au 1-800-525-2579 pour obtenir de l'aide.

CARACTERÍSTICAS

ESPECIFICACIONES DEL PRODUCTO

Rendimiento Más de 1200 lúmenes
Calificación Kelvin 2700 K - 5000 K

Tiempo de funcionamiento..... Aproximadamente 24 horas

FUNCIONAMIENTO

ADVERTENCIA:

No apunte el rayo de luz a personas o animales y evite mirar de frente el rayo de luz (aunque se encuentre lejos). Mirar de frente el rayo de luz puede causar lesiones graves o pérdida de la visión.

ADVERTENCIA:

No permita que su familiarización con las herramientas lo vuelva descuidado. Tenga presente que un descuido de un instante es suficiente para causar una lesión grave.

ADVERTENCIA:

No utilice ningún aditamento o accesorio no recomendado por el fabricante de esta herramienta. El empleo de aditamentos o accesorios no recomendados podría causar lesiones serias.

AVISO:

Este producto está diseñado para ser alimentado con un paquete de baterías Ryobi™ One+™ 18 V (modo CC) o tomacorriente de pared de 120 V (modo CA). Puede utilizarse cualquier fuente de alimentación instalando un paquete de baterías aprobado o un cable de alimentación dentro del producto, como se describe en este manual.

USOS

Esta herramienta puede emplearse para los fines enumerados abajo:

- Iluminación de área en grande superficies en aplicaciones donde se necesita ajustar la temperatura de color

ADVERTENCIA:

Las herramientas híbridas siempre están en condiciones de funcionamiento. Por lo tanto, la unidad siempre debe estar APAGADA, con el paquete de baterías extraído y el cable desconectado, cuando no está en uso. No deje la luz encendida mientras desatendida. El incumplimiento de estas instrucciones podría causar lesiones personales de gravedad.

FUNCIONAMIENTO

ADVERTENCIA:

Retire siempre el paquete de baterías o cordón de extensión del producto antes de instalar las piezas, realizar ajustes, limpiarla o cuando no la utilice. Retirar el paquete de baterías o cordón de extensión evitará que la unidad se accione accidentalmente y provoque lesiones graves.

INSTALACIÓN/DESMONTAR DEL PAQUETE DE BATERÍAS

Vea la figura 1, página 8.

- Coloque el paquete de baterías en el producto como se muestra.
- Asegúrese de que los pestillos situados en ambos lados del paquete de baterías se deslicen completamente en su lugar y de que el paquete quede bien fijo en el producto antes de empezar a utilizarlo.
- Oprima los pestillos para extraer el paquete de baterías.

Para obtener instrucciones específicas de carga, lea el manual del operador que se incluye con el cargador y la batería.

INSTALACIÓN/DESMONTAR DEL CABLE DE ALIMENTACIÓN

Vea la figura 2, página 8.

ADVERTENCIA:

No pase el cable por debajo de alfombras, tapetes, correderas, muebles o aparatos eléctricos y siempre pase el cable lejos de áreas de tráfico para evitar riesgos de caídas.

- Retire el paquete de baterías.
- Inserte el extremo hembra del cable de alimentación dentro del producto como se muestra.
- Conecte el extremo macho del cable de alimentación a la fuente de alimentación.
- Asegúrese de que el cable de alimentación esté asegurado antes de comenzar con el funcionamiento.

ADVERTENCIA:

Mantener luz de trabajo en alejado de todo material combustible. Si está envuelta o en contacto con tela la lente de la luz de trabajo, puede generar suficiente calor como para derretir ciertas telas. Para evitar lesiones corporales serias, nunca permita que la lente de la luz de trabajo toque nada.

CABEZA AJUSTABLE

Vea la figura 3, página 8.

PRECAUCIÓN:

No coloque las manos o los dedos entre la cabeza ajustable y el bastidor cuando ubique la luz de trabajo para evitar posibles pellizcos.

Para ajustar la dirección de la luz, gire la perilla de ajuste en sentido antihorario. Gire el cabezal de la luz a la posición deseada y, luego, la perilla de ajuste en sentido horario para ajustarla.

BOTÓN DE ENCENDIDO/APAGADO

Vea la figura 4, página 9.

La luz de trabajo estará en la posición de APAGADO (OFF) hasta que presione el botón de encendido.

- Conecte el producto a una fuente de energía de CA o CC.
- Presione y suelte el botón de encendido/apagado tres veces para encender la luz y cambiar de nivel de brillo a Alto, Medio y Bajo.
- Presione y suelte el botón de encendido/apagado una cuarta vez para apagar la luz.

NOTA: Esta luz cuenta con un indicador de voltaje bajo. Si la luz parpadea 3 veces con un paquete de baterías instalado, significa que la carga es baja. Tres parpadeos adicionales indican que la luz se apagará pronto. Instale un paquete de baterías cargado y reanude la operación.

TEMPERATURA DE COLOR CORRELACIONADA (CCT)

Vea la figura 5, página 9.

La temperatura de color correlacionada (CCT) define la apariencia de color de un LED blanco. La luz permite seleccionar la apariencia de color girando el botón de encendido/apagado.

- Gire totalmente el botón de encendido/apagado en sentido antihorario para seleccionar la temperatura de color más fría.
- Gire el botón de encendido/apagado gradualmente en sentido horario para seleccionar una iluminación en un rango de temperatura neutro.
- Siga girando el botón de encendido/apagado en sentido horario, y la temperatura de color será cada vez más cálida.
- En cualquier punto de la selección de temperatura de color, puede seleccionar una intensidad de iluminación alta, media o baja.

FUNCIONAMIENTO

COLGAR EL LUZ

Vea las figuras 6 - 7, página 9.



ADVERTENCIA:

Únicamente cuelgue o monte la luz CCT en un área donde no haya cables eléctricos, cables de servicios públicos, tuberías, ni otros obstáculos. Comuníquese con su compañía local de servicios públicos o con un electricista calificado si no está seguro. No cuelgue la luz de trabajo de ningún cable eléctrico. Asegúrese de que la luz de trabajo esté instalada en forma segura para evitar riesgos por objetos que puedan caer. Si no sigue estas instrucciones puede provocar electrocución, descargas eléctricas u otras lesiones personales graves.

La luz puede montarse para adaptarse a la aplicación y la situación de trabajo deseadas. Puede usar la luz como unidad independiente colocándola en la base, en una superficie plana.

NOTA: Tenga cuidado de no montar o colgar la luz de modo que evite la operación normal o dañe el cable.

Orificios de montaje:

Cuelgue o monte la luz en un lugar robusto con tornillos. Los orificios de montaje están diseñados para montar la base de la luz deslizándola en los tornillos. La distancia central entre los orificios es de 63,50 mm (2-1/2 pulg.).

Montaje del trípode:

La lámpara puede montarse en un trípode con el accesorio 1/4-20 de la placa base de la lámpara. Atornille el trípode en el orificio de la base de la lámpara.

NOTA: Se incluye un adaptador con el producto para lograr compatibilidad con trípodes de la marca HUSKY.

MANTENIMIENTO



ADVERTENCIA:

Al dar servicio a la unidad, sólo utilice piezas de repuesto idénticas. El empleo de piezas diferentes puede causar un peligro o dañar el producto.

MANTENIMIENTO GENERAL

Evite el empleo de solventes al limpiar piezas de plástico. La mayoría de los plásticos son susceptibles a diferentes tipos de solventes comerciales y pueden resultar dañados. Utilice paños limpios para eliminar la suciedad, el polvo, el aceite, la grasa, etc.

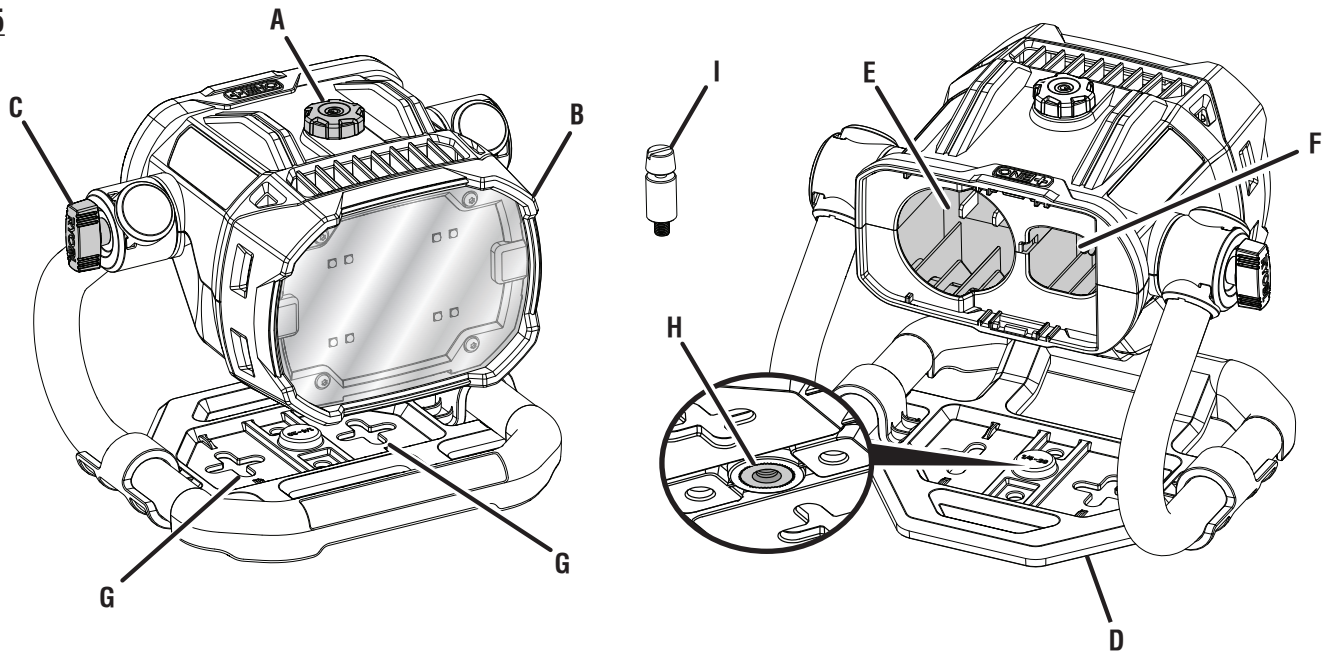
AVISO:

No se pueden reemplazar los LED. Si se intenta reemplazar los LED, el reflector puede dañarse.

ALMACENAMIENTO

Almacene en el interior, en un lugar seco y cerrado con llave, lejos del alcance de los niños con el paquete de baterías extraído. Evite que la unidad entre en contacto con agentes corrosivos como las sustancias químicas para el jardín y las sales para derretir el hielo.

P795

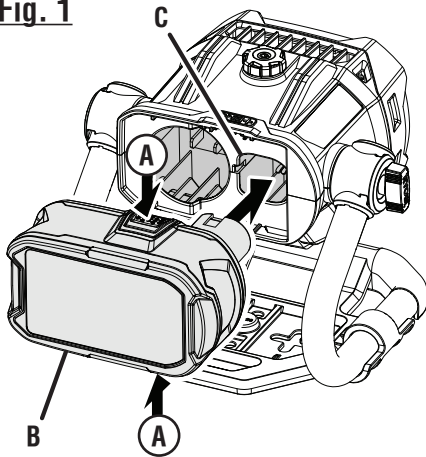


A - Power button (High/Medium/Low/Off) [bouton d'alimentation (élevé/moyen/faible/hors tension), botón de encendido/apagado (alto/medio/bajo/apagado)]
 B - Adjustable head (tête ajustable, cabeza ajustable)

C - Adjustment knob (bouton de réglage, perilla de ajuste)
 D - Base plate (plaque de base, placa base)
 E - AC Receptacle (prise CA, receptáculo CA)
 F - Battery port (logement de bloc-pile, puerto de batería)

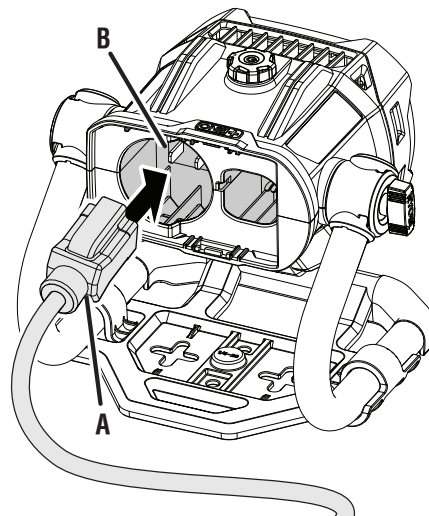
G - Mounting holes (trous de montage, agujeros de montaje)
 H - Tripod mount (montage sur trépied, montaje del trípode)
 I - Tripod adaptor (adaptateur pour trépied, adaptador de trípode)

Fig. 1



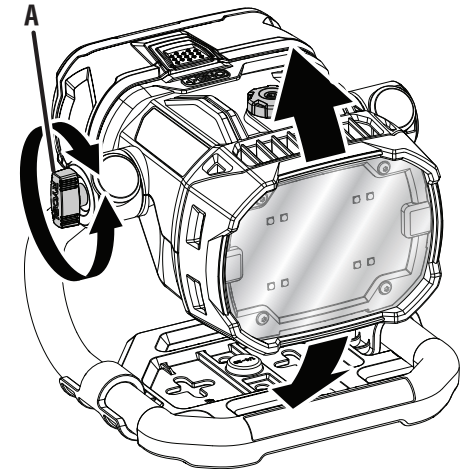
A - Latches (loquets, pestillos)
 B - Battery pack (bloc-pile, batería)
 C - Battery port (logement de bloc-pile, puerto de batería)

Fig. 2



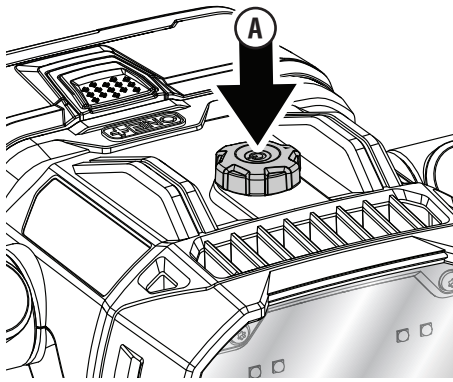
A - Power cord (cordon d'alimentation, cordón de corriente)
 B - Receptacle (prise, receptáculo)

Fig. 3



A - Adjustment knob (bouton de réglage, perilla de ajuste)

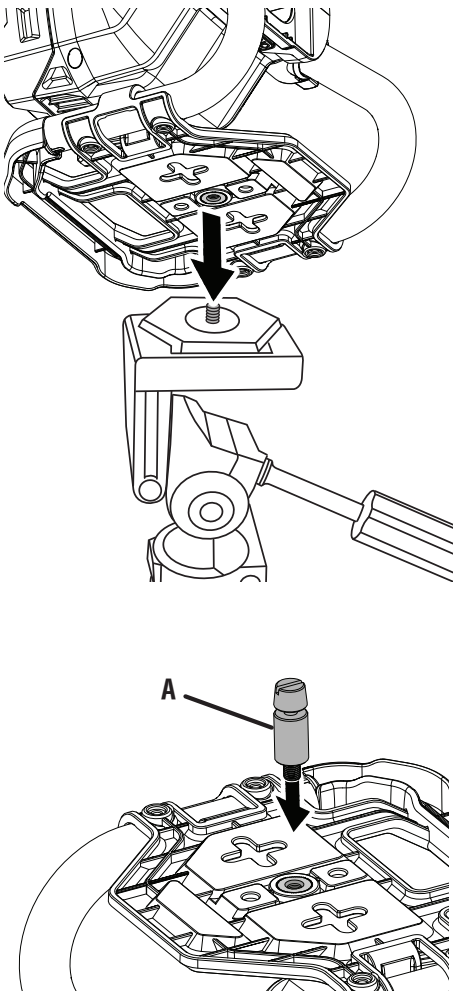
Fig. 4



A - Power button (High/Medium/Low/Off) [bouton d'alimentation (élevé/moyen/faible/hors tension), botón de encendido/apagado (alto/medio/bajo/apagado)]

Fig. 6

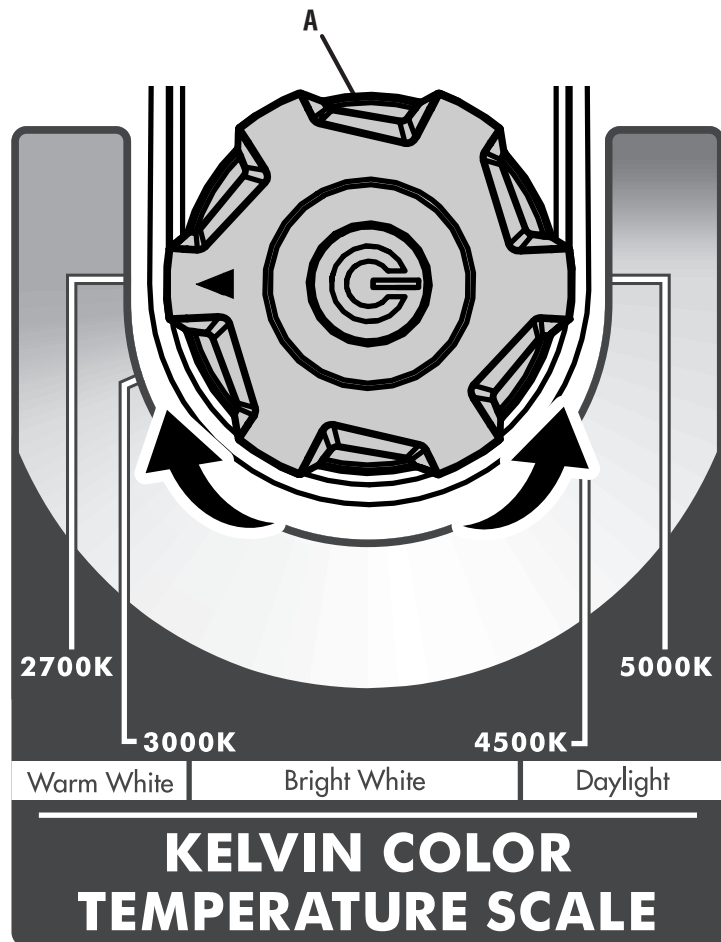
**TRIPOD MOUNT
MONTAGE SUR TRÉPIED
MONTAJE DEL TRÍPODE**



A - Adaptor (adaptateur, adaptador)

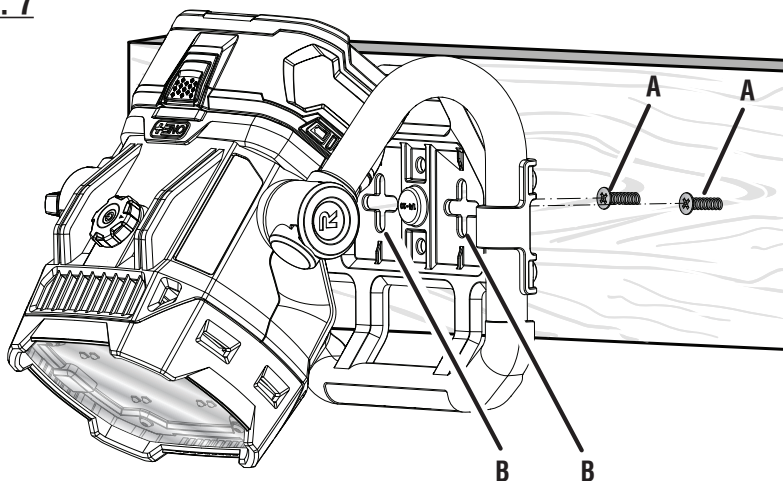
Fig. 5

**LIGHT TEMPERATURE SELECTION - TURN KNOB TO ADJUST
SÉLECTION DE TEMPÉRATURE DE COULEUR - TOURNER LE BOUTON POUR RÉGLER
SELECCIÓN DE TEMPERATURA DE LUZ; GIRAR PERILLA PARA AJUSTAR**



A - Color temperature selector (selector de temperatura de color, selector de temperatura de color)

Fig. 7



A - Screws (vis, tornillos)

B - Mounting holes (trous de montage, agujeros de montaje)



OPERATOR'S MANUAL/18 VOLT HYBRID LED CCT LIGHT
MANUEL D'UTILISATION/LAMPE DE CCT DEL HYBRIDE DE 18 V
MANUAL DEL OPERADOR/LUZ DE TRABAJO DE LED HÍBRIDA DE 18 V
P795

To request service, purchase replacement parts,
locate an Authorized Service Center and obtain Customer or Technical Support:

Visit **www.ryobitools.com** or call **1-800-525-2579**

If any parts or accessories are damaged or missing,
do not return this product to the store. Call **1-800-525-2579** for immediate service.

Please obtain your model and serial number from the product data plate.
This product is covered under a 3-year limited Warranty. Proof of purchase is required.

MODEL NUMBER _____ SERIAL NUMBER _____

RYOBI is a trademark of Ryobi Limited and is used pursuant to a license granted by Ryobi Limited.

Pour faire une demande de réparations ou obtenir des pièces de rechange, trouver un
Centre de réparations agréé pour obtenir un soutien technique ou le Service à la clientèle :

Visiter **www.ryobitools.com** ou en téléphonant au **1-800-525-2579**

Si des pièces ou accessoires sont manquantes ou endommagées, ne pas retourner
ce produit au magasin. Appeler immédiatement au **1-800-525-2579** pour obtenir de l'aide.

Inscrire les numéros de modèle et de série inscrits sur la plaque d'identification du produit.
Ce produit est couvert par une garantie limitée de trois (3) ans. Une preuve d'achat est exigée.

NUMÉRO DE MODÈLE _____ NUMÉRO DE SÉRIE _____

RYOBI est une marque de Ryobi Limited et est utilisée en vertu d'une licence accordée par Ryobi Limited.

Para obtener servicio, comprar piezas de repuesto, localizar un centro de servicio autorizado
y obtener Servicio o Asistencia Técnica al Consumidor:

Visite **www.ryobitools.com** o llame al **1-800-525-2579**

Si hay alguna pieza ou accesorios dañada o faltante, no devuelva este producto a la tienda.
Llame al **1-800-525-2579** para servicio técnico inmediato.

Obtenga su modelo y número de serie de la placa de datos del producto.
Este producto está cubierto con una garantía limitada de 3 años. Se solicita prueba de la compra.

NÚMERO DE MODELO _____ NÚMERO DE SERIE _____

RYOBI es una marca de Ryobi Limited y se utiliza conforme a una licencia otorgada por Ryobi Limited.

ONE WORLD TECHNOLOGIES, INC.

1428 Pearman Dairy Road, Anderson, SC 29625 • Phone 1-800-525-2579
États-Unis, Téléphone 1-800-525-2579 • USA, Teléfono 1-800-525-2579

www.ryobitools.com