

### Features

- Single lever handle is simple to use and makes adjusting water temperature easy.
- One-piece, self-contained ceramic disc valve allows both volume and temperature control.
- Ceramic disc valves exceed industry longevity standards, ensuring durable performance for life.
- Premium KOHLER finishes with ScratchShield® technology withstands even the toughest daily use.
- 1.2 gpm (gallons per minute) maximum flow rate.

### Material

- Constructed with premium materials for durability and reliability.

### Installation

- For single-hole or 4-inch center installation (escutcheon plate included).
- Simplified faucet assembly; mounting hardware requires no special tools.

### Water Conservation & Rebates

- WaterSense®-labeled 1.2-gpm faucets use at least 45 percent less water than standard 2.2-gpm faucets while still meeting strict performance guidelines.
- This product can help a building earn Water Efficiency points in the LEED® Green Building Rating System.



**ADA** **CSA B651** **OBC**

### Codes/Standards




ASME A112.18.1/CSA B125.1  
 NSF/ANSI 61  
 NSF/ANSI 372  
 All applicable US Federal and State material regulations  
 DOE - Energy Policy Act 1992  
 EPA WaterSense®  
 California Energy Commission (CEC)  
 ADA  
 ICC/ANSI A117.1  
 CSA B651  
 OBC

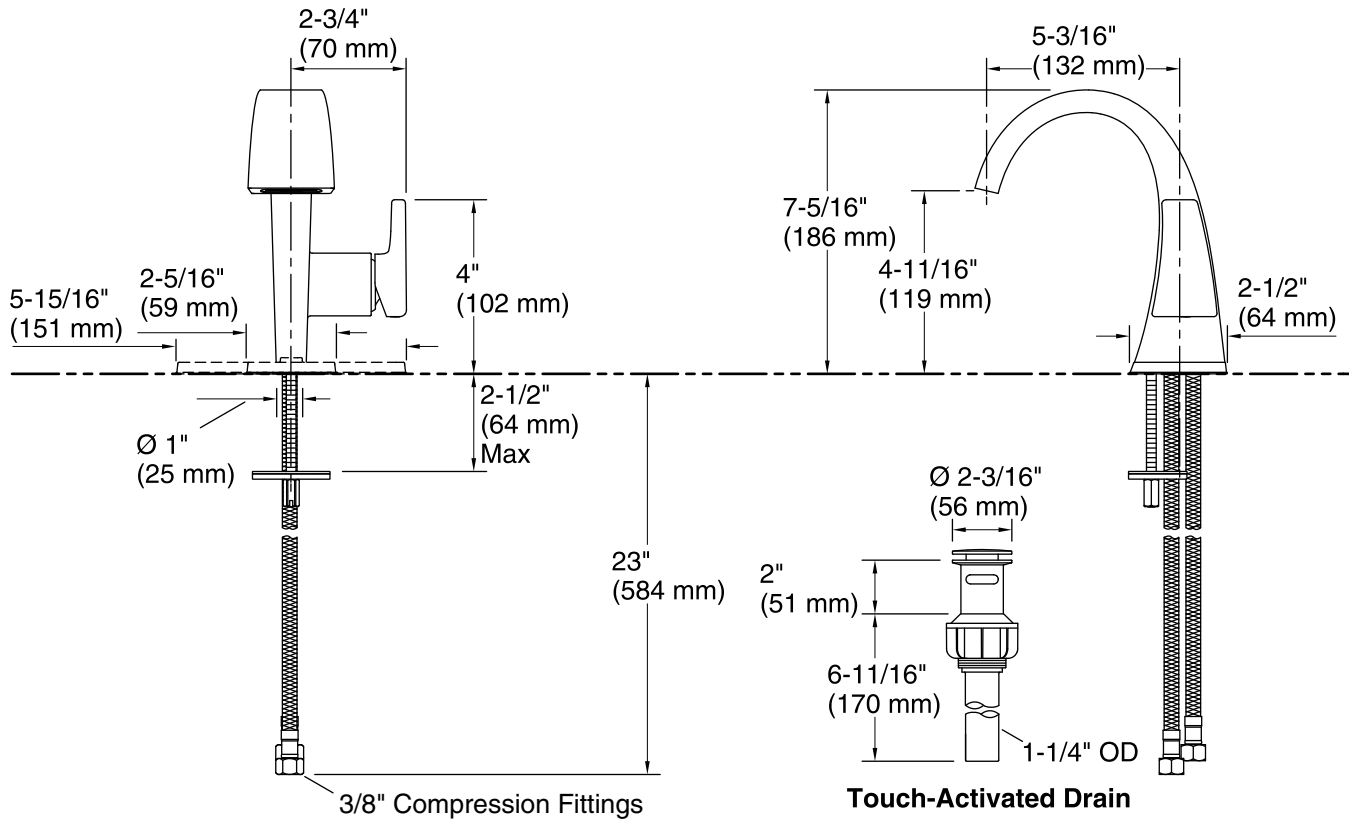
### KOHLER® One-Year Limited Warranty

See website for detailed warranty information.

### Available Colors/Finishes

*Color tiles intended for reference only.*

Color	Code	Description
	CP	Polished Chrome
	BN	Vibrant® Brushed Nickel
	BL	Matte Black



### Technical Information

All product dimensions are nominal.

#### Faucet:

Flow rate: 1.2 gal/min (4.5 l/min)

Drain included: Yes

### Notes

Install this product according to the installation instructions.

ADA, OBC, CSA B651 compliant when installed to the specific requirements of these regulations.