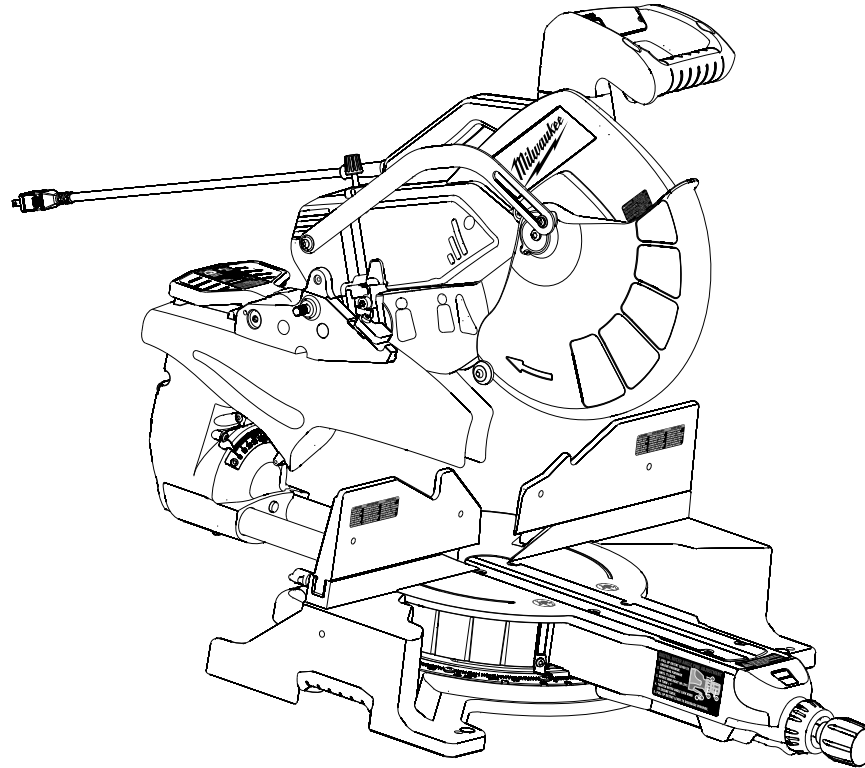




**OPERATOR'S MANUAL
MANUEL de L'UTILISATEUR
MANUAL del OPERADOR**



**Cat. No. / No de cat.
6955-20**

**12" SLIDING DUAL BEVEL MITER SAW WITH DIGITAL FINE ADJUST
SCIE À ONGLETS COULISSANTE À DOUBLE BISEAU DE 305 mm
(12") AVEC FONCTION DE RÉGLAGE NUMÉRIQUE PRÉCIS
SIERRA INGLETEADORA DE BISEL DOBLE DESLIZABLE DE
305 mm (12") CON AJUSTE FINO DIGITAL**



WARNING To reduce the risk of injury, user must read and understand operator's manual.

AVERTISSEMENT Afin de réduire le risque de blessures, l'utilisateur doit lire et bien comprendre le manuel.

ADVERTENCIA Para reducir el riesgo de lesiones, el usuario debe leer y entender el manual.

GENERAL POWER TOOL SAFETY WARNINGS

WARNING Read all safety warnings, instructions, illustrations and specifications provided with this power tool. Failure to follow all instructions listed below may result in electric shock, fire and/or serious injury. **Save all warnings and instructions for future reference.** The term "power tool" in the warnings refers to your mains-operated (corded) power tool or battery-operated (cordless) power tool.

WORK AREA SAFETY

- **Keep work area clean and well lit.** Cluttered or dark areas invite accidents.
- **Do not operate power tools in explosive atmospheres, such as in the presence of flammable liquids, gases or dust.** Power tools create sparks which may ignite the dust or fumes.
- **Keep children and bystanders away while operating a power tool.** Distractions can cause you to lose control.

ELECTRICAL SAFETY

- **Power tool plugs must match the outlet. Never modify the plug in any way. Do not use any adapter plugs with earthed (grounded) power tools.** Unmodified plugs and matching outlets will reduce risk of electric shock.
- **Avoid body contact with earthed or grounded surfaces, such as pipes, radiators, ranges and refrigerators.** There is an increased risk of electric shock if your body is earthed or grounded.
- **Do not expose power tools to rain or wet conditions.** Water entering a power tool will increase the risk of electric shock.
- **Do not abuse the cord. Never use the cord for carrying, pulling or unplugging the power tool. Keep cord away from heat, oil, sharp edges or moving parts.** Damaged or entangled cords increase the risk of electric shock.
- **When operating a power tool outdoors, use an extension cord suitable for outdoor use.** Use of a cord suitable for outdoor use reduces the risk of electric shock.
- **If operating a power tool in a damp location is unavoidable, use a ground fault circuit interrupter (GFCI) protected supply.** Use of an GFCI reduces the risk of electric shock.

PERSONAL SAFETY

- **Stay alert, watch what you are doing and use common sense when operating a power tool. Do not use a power tool while you are tired or under the influence of drugs, alcohol or medication.** A moment of inattention while operating power tools may result in serious personal injury.
- **Use personal protective equipment. Always wear eye protection.** Protective equipment such as a dust mask, non-skid safety shoes, hard hat or hearing protection used for appropriate conditions will reduce personal injuries.
- **Prevent unintentional starting. Ensure the switch is in the off-position before connecting to power source and/or battery pack, picking up or carrying the tool.** Carrying power tools with your finger on the switch or energizing power tools that have the switch on invites accidents.
- **Remove any adjusting key or wrench before turning the power tool on.** A wrench or a key left

attached to a rotating part of the power tool may result in personal injury.

- **Do not overreach. Keep proper footing and balance at all times.** This enables better control of the power tool in unexpected situations.
- **Dress properly. Do not wear loose clothing or jewelry. Keep your hair and clothing away from moving parts.** Loose clothes, jewelry or long hair can be caught in moving parts.
- **If devices are provided for the connection of dust extraction and collection facilities, ensure these are connected and properly used.** Use of dust collection can reduce dust-related hazards.
- **Do not let familiarity gained from frequent use of tools allow you to become complacent and ignore tool safety principles.** A careless action can cause severe injury within a fraction of a second.

POWER TOOL USE AND CARE

- **Do not force the power tool. Use the correct power tool for your application.** The correct power tool will do the job better and safer at the rate for which it was designed.
- **Do not use the power tool if the switch does not turn it on and off.** Any power tool that cannot be controlled with the switch is dangerous and must be repaired.
- **Disconnect the plug from the power source and/or remove the battery pack, if detachable, from the power tool before making any adjustments, changing accessories, or storing power tools.** Such preventive safety measures reduce the risk of starting the power tool accidentally.
- **Store idle power tools out of the reach of children and do not allow persons unfamiliar with the power tool or these instructions to operate the power tool.** Power tools are dangerous in the hands of untrained users.
- **Maintain power tools and accessories. Check for misalignment or binding of moving parts, breakage of parts and any other condition that may affect the power tool's operation. If damaged, have the power tool repaired before use.** Many accidents are caused by poorly maintained power tools.
- **Keep cutting tools sharp and clean.** Properly maintained cutting tools with sharp cutting edges are less likely to bind and are easier to control.
- **Use the power tool, accessories and tool bits etc. in accordance with these instructions, taking into account the working conditions and the work to be performed.** Use of the power tool for operations different from those intended could result in a hazardous situation.
- **Keep handles and grasping surfaces dry, clean and free from oil and grease.** Slippery handles and grasping surfaces do not allow for safe handling and control of the tool in unexpected situations.

SERVICE

- **Have your power tool serviced by a qualified repair person using only identical replacement parts.** This will ensure that the safety of the power tool is maintained.

SPECIFIC SAFETY RULES FOR MITER SAW

- **Miter saws are intended to cut wood or wood-like products, they cannot be used with abrasive cut-off wheels for cutting ferrous material such as bars, rods, studs, etc.** Abrasive dust causes moving

parts such as the lower guard to jam. Sparks from abrasive cutting will burn the lower guard, the kerf insert and other plastic parts.

- **Use clamps to support the workpiece whenever possible. If supporting the workpiece by hand, you must always keep your hand at least 100 mm from either side of the saw blade. Do not use this saw to cut pieces that are too small to be securely clamped or held by hand.** If your hand is placed too close to the saw blade, there is an increased risk of injury from blade contact.
- **The workpiece must be stationary and clamped or held against both the fence and the table. Do not feed the workpiece into the blade or cut "freehand" in any way.** Unrestrained or moving workpieces could be thrown at high speeds, causing injury.
- **Push the saw through the workpiece. Do not pull the saw through the workpiece. To make a cut, raise the saw head and pull it out over the workpiece without cutting, start the motor, press the saw head down and push the saw through the workpiece.** Cutting on the pull stroke is likely to cause the saw blade to climb on top of the workpiece and violently throw the blade assembly towards the operator.
- **Never cross your hand over the intended line of cutting either in front or behind the saw blade.** Supporting the workpiece "cross handed" i.e. holding the workpiece to the right of the saw blade with your left hand or vice versa is very dangerous.
- **Do not reach behind the fence with either hand closer than 100 mm from either side of the saw blade, to remove wood scraps, or for any other reason while the blade is spinning.** The proximity of the spinning saw blade to your hand may not be obvious and you may be seriously injured.
- **Inspect your workpiece before cutting. If the workpiece is bowed or warped, clamp it with the outside bowed face toward the fence. Always make certain that there is no gap between the workpiece, fence and table along the line of the cut.** Bent or warped workpieces can twist or shift and may cause binding on the spinning saw blade while cutting. There should be no nails or foreign objects in the workpiece.
- **Do not use the saw until the table is clear of all tools, wood scraps, etc., except for the workpiece.** Small debris or loose pieces of wood or other objects that contact the revolving blade can be thrown with high speed.
- **Cut only one workpiece at a time.** Stacked multiple workpieces cannot be adequately clamped or braced and may bind on the blade or shift during cutting.
- **Ensure the miter saw is mounted or placed on a level, firm work surface before use.** A level and firm work surface reduces the risk of the miter saw becoming unstable.
- **Plan your work. Every time you change the bevel or mitre angle setting, make sure the adjustable fence is set correctly to support the workpiece and will not interfere with the blade or the guarding system.** Without turning the tool "ON" and with no workpiece on the table, move the saw blade through a complete simulated cut to assure there will be no interference or danger of cutting the fence.
- **Provide adequate support such as table extensions, saw horses, etc. for a workpiece that is wider or longer than the table top.** Workpieces longer or wider than the miter saw table can tip if not securely supported. If the cut-off piece or workpiece tips, it can lift the lower guard or be thrown by the spinning blade.
- **Do not use another person as a substitute for a table extension or as additional support.** Unstable support for the workpiece can cause the blade to bind or the workpiece to shift during the cutting operation pulling you and the helper into the spinning blade.
- **The cut-off piece must not be jammed or pressed by any means against the spinning saw blade.** If confined, i.e. using length stops, the cut-off piece could get wedged against the blade and thrown violently.
- **Always use a clamp or a fixture designed to properly support round material such as rods or tubing.** Rods have a tendency to roll while being cut, causing the blade to "bite" and pull the work with your hand into the blade.
- **Let the blade reach full speed before contacting the workpiece.** This will reduce the risk of the workpiece being thrown.
- **If the workpiece or blade becomes jammed, turn the miter saw off. Wait for all moving parts to stop and disconnect the plug from the power source and/or remove the battery pack. Then work to free the jammed material.** Continued sawing with a jammed workpiece could cause loss of control or damage to the miter saw.
- **After finishing the cut, release the switch, hold the saw head down and wait for the blade to stop before removing the cut-off piece.** Reaching with your hand near the coasting blade is dangerous.
- **Hold the handle firmly when making an incomplete cut or when releasing the switch before the saw head is completely in the down position.** The braking action of the saw may cause the saw head to be suddenly pulled downward, causing a risk of injury.
- **Maintain labels and nameplates.** These carry important information. If unreadable or missing, contact a MILWAUKEE service facility for a free replacement.

WARNING Some dust created by power sanding, sawing, grinding, drilling, and other construction activities contains chemicals known to cause cancer, birth defects or other reproductive harm. Some examples of these chemicals are:

- lead from lead-based paint
- crystalline silica from bricks and cement and other masonry products, and
- arsenic and chromium from chemically-treated lumber.

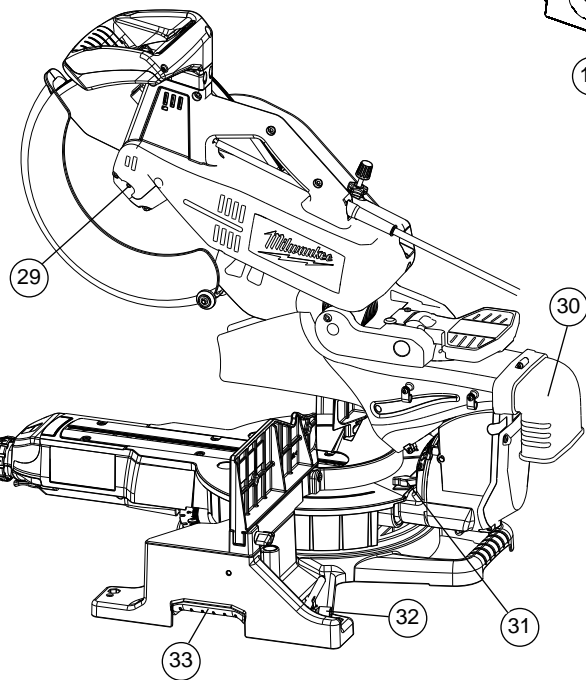
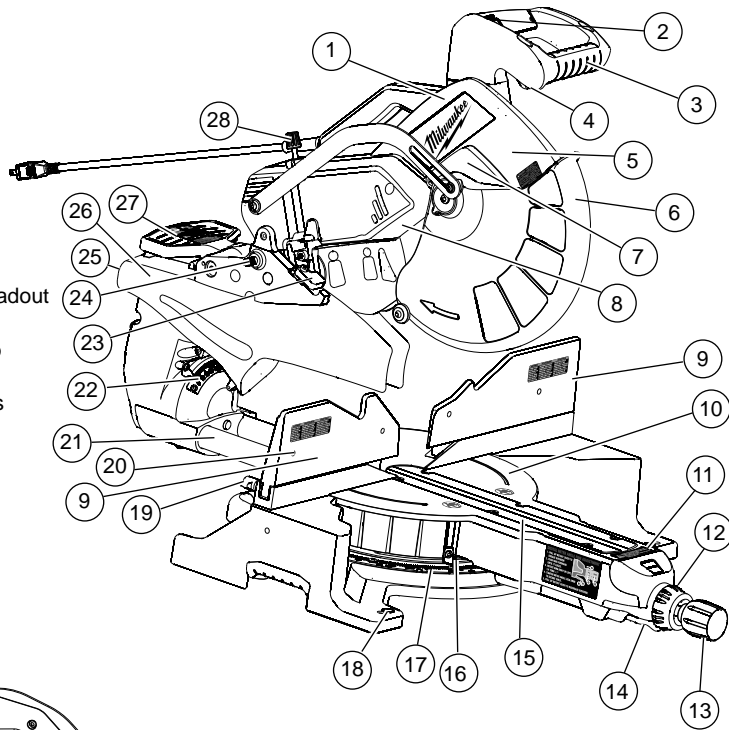
Your risk from these exposures varies, depending on how often you do this type of work. To reduce your exposure to these chemicals: work in a well ventilated area, and work with approved safety equipment, such as those dust masks that are specially designed to filter out microscopic particles.

SPECIFICATIONS

Cat. No.	6955-20
Volts	120 AC
Amps	15
No Load RPM	3200
Arbor Size	5/8"
Blade Size	12"
Blade Thickness (Kerf)	Max 1/8"
Weight	65 lbs.

FUNCTIONAL DESCRIPTION

1. Saw head
2. Light on/off switch
3. Upper handle
4. On/Off trigger
5. Upper guard
6. Lower guard
7. Guard bracket
8. Lights
9. Fence
10. Turntable
11. Digital miter angle readout
12. Fine adjustment ring
13. Miter angle lock knob
14. Detent lever
15. Adjustable kerf plates
16. Miter angle pointer
17. Miter angle scale



18. Mounting holes (4)
19. Fence lock knob
20. Face board mounting holes (4)
21. Slide rails
22. Bevel angle scale
23. Depth stop paw
24. Head lock-down pin
25. Dust ejection port
26. Dust chute
27. Bevel adjustment lever
28. Depth stop adjustment knob
29. Spindle lock
30. Dust elbow (Dust bag not shown)
31. Slide rail lock
32. Wrench storage
33. Carrying handles

EXTENSION CORDS

Grounded tools require a three wire extension cord. Double insulated tools can use either a two or three wire extension cord. As the distance from the supply outlet increases, you must use a heavier gauge extension cord. Using extension cords with inadequately sized wire causes a serious drop in voltage, resulting in loss of power and possible tool damage. Refer to the table shown to determine the required minimum wire size.

The smaller the gauge number of the wire, the greater the capacity of the cord. For example, a 14 gauge cord can carry a higher current than a 16 gauge cord. When using more than one extension cord to make up the total length, be sure each cord contains at least the minimum wire size required. If you are using one extension cord for more than one tool, add the nameplate amperes and use the sum to determine the required minimum wire size.

Guidelines for Using Extension Cords

- If you are using an extension cord outdoors, be sure it is marked with the suffix "W-A" ("W" in Canada) to indicate that it is acceptable for outdoor use.
- Be sure your extension cord is properly wired and in good electrical condition. Always replace a damaged extension cord or have it repaired by a qualified person before using it.
- Protect your extension cords from sharp objects, excessive heat and damp or wet areas.

Recommended Minimum Wire Gauge For Extension Cords*

Nameplate Amps	Extension Cord Length				
	25'	50'	75'	100'	150'
0 - 2.0	18	18	18	18	16
2.1 - 3.4	18	18	18	16	14
3.5 - 5.0	18	18	16	14	12
5.1 - 7.0	18	16	14	12	12
7.1 - 12.0	16	14	12	10	--
12.1 - 16.0	14	12	10	--	--
16.1 - 20.0	12	10	--	--	--

* Based on limiting the line voltage drop to five volts at 150% of the rated amperes.

SYMBOLOLOGY

- Double Insulated
- Volts
- Alternating Current
- Amps
- n_0 XXXX min⁻¹ No-Load Revolutions per Minute (RPM)
- UL Listing Mark for Canada and U.S.
- Always keep hands away from the path of the saw blade

CAPACITIES

Miter Cuts	
Max Height at 90°	6.55" H at 2.10" W
Max Height at 45°	6.55" H at .40" W
Max Width at 90°	13.5" W at 4.02" H
Max Width at 45°	9.51" W at 4.02" H
Compound Cuts	
45° Miter and 45° Bevel	9.51" W at 2.25" H
Right Bevel	9.51" W at 1.9" H

GROUNDING

WARNING Improperly connecting the grounding wire can result in the risk of electric shock. Check with a qualified electrician if you are in doubt as to whether the outlet is properly grounded. Do not modify the plug provided with the tool. Never remove the grounding prong from the plug. Do not use the tool if the cord or plug is damaged. If damaged, have it repaired by a MILWAUKEE service facility before use. If the plug will not fit the outlet, have a proper outlet installed by a qualified electrician.

Grounded Tools (Three-Prong Plugs)

Tools marked "Grounding Required" have a three wire cord and three prong grounding plug. The plug must be connected to a properly grounded outlet (See Figure A). If the tool should electrically malfunction or break down, grounding provides a low resistance path to carry electricity away from the user, reducing the risk of electric shock.

The grounding prong in the plug is connected through the green wire inside the cord to the grounding system in the tool. The green wire in the cord must be the only wire connected to the tool's grounding system and must never be attached to an electrically "live" terminal.

Your tool must be plugged into an appropriate outlet, properly installed and grounded in accordance with all codes and ordinances. The plug and outlet should look like those in Figure A.

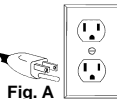


Fig. A

Double Insulated Tools (Two-Prong Plugs)

Tools marked "Double Insulated" do not require grounding. They have a special double insulation system which satisfies OSHA requirements and complies with the applicable standards of Underwriters Laboratories, Inc., the Canadian Standard Association and the National Electrical Code. Double Insulated tools may be used in either

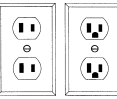


Fig. B

Fig. C

of the 120 volt outlets shown in Figures B and C.

FEATURES

Miter system

The MILWAUKEE 6955-20 Miter Saw uses a heavy duty steel plate with detents (stops). This steel plate is extremely durable and provides for repeatable accuracy at each detent. The miter angle can be set using detents for commonly cut angles at 0°, 15°, 22.5°, 31.62°, 45° Right and Left and 60° Right. The 6955-20 has a miter range from 55° on the left to 60° on the right. An industrial grade bearing allows the turntable to be quickly and accurately adjusted to any angle across the miter range.

Miter Angle Fine Adjust

In certain finish carpentry applications like casing a window or door, it is necessary to compensate for a non-square situation by making a precision miter angle adjustment to the turntable. The Milwaukee miter angle fine adjust system makes this process quick and easy, especially when the saw is positioned near a miter detent (stop).

Digital Miter Angle Readout

The Milwaukee 6955-20 has a Digital Miter Angle Readout at the front of the turntable that displays the miter angle of the turntable to a resolution of 0.1°. The Digital Miter Angle Readout is based on

the mechanical accuracy of the miter angle detent plate. It calibrates itself each time the turntable is placed in a miter detent and it requires no adjustment. Using the Miter Angle Fine Adjust in conjunction with the Digital Miter Angle Readout, it is easy to make accurate minor angle adjustments anywhere along the miter range. Using these systems together makes it easy to re-position the turntable and repeat any miter angle setting.

When the turntable is positioned at a LEFT miter angle the digital readout will display with a (-) symbol in front of the angle (for example: -22.5° or -44.7°). When the turntable is positioned at a RIGHT miter angle the digital readout will display as follows: 22.5° or 44.7°.

Dual Bevel Adjustment System

The Dual Bevel Adjustment System allows for quick and accurate bevel adjustments to either the Right or the Left. The bevel angle can be set using detents (stops) for the following commonly cut angles 0°, 22.5°, 33.85°, 45° Right and Left. The bevel mechanism also has several degrees of overtravel beyond 45° on both the left and right.

Electronic Feedback Control Circuit

The Electronic Feedback Control Circuit (EFCC) helps improve the operation and life of the tool. It allows the tool to maintain constant speed and torque between no-load and load conditions. The soft start reduces the amount of torque reaction at startup to the tool and the user. It gradually increases the motor speed up from zero to the top no-load speed.

Electric Brake

The electric brake engages when the trigger is released, causing the blade to stop and allowing you to proceed with your work. **WARNING!** The brake is not a substitute for the guards, so it is essential to always wait for the blade to stop completely before removing the blade from the kerf. Generally the saw blade stops in four to five seconds. However, there may be a delay between the time the trigger is released and the time the brake engages. Occasionally the brake may miss completely. If the brake misses frequently, the saw needs servicing by an authorized MILWAUKEE service station.

Lights

The Milwaukee 6950-20 Miter Saw has two high power lights positioned on either side of the blade to illuminate the workpiece cutting area so that it is easy to see blade approach the cutting line. An ON / OFF switch for the lights is conveniently located on the trigger handle. The bulb is designed to provide several years of service. Uses standard bulb size GE 193.

Dust Management System

The Milwaukee 6955-20 Miter Saw dust collection system uses a large dust chute on both sides of the blade to capture and direct dust to back of the saw. The saw comes with a Dust Elbow and a Dust Bag that attach to the back of the Dust Chute. The dust bag has a zipper located on the bottom of the bag that makes it easy to empty. When using the saw on a stand, the dust bag zipper can be left open to allow the waste to fall into a waste container.

Carrying Handles

For ease of transporting, multiple carrying handles are provided, one on each side of the table and one on top of the saw head. Always lock the saw head down when transporting.

ASSEMBLY

WARNING To reduce the risk of injury, always unplug tool before attaching or removing accessories or making adjustments. Use only specifically recommended accessories. Others may be hazardous.

Adjusting the Miter Saw

The 6955-20 Miter Saw is fully adjusted at the factory. If it is not accurate due to shipping and handling, please follow these steps to accurately set up your saw. Once the saw is properly adjusted, it should remain accurate under normal jobsite and transportation conditions.

Squaring the Blade (90°) to the Fence (0° Miter)

1. Unplug saw
2. Place a square against the fence and blade and ensure that the square is not touching blade teeth as this will cause an inaccurate measurement.
3. Loosen the miter lock knob and move the saw to the 0° miter position. Do not tighten the lock knob.
4. If the saw blade is not exactly perpendicular to the fence, use the supplied wrench to loosen the screws that hold the miter scale to the base. Move the scale left or right until the blade is perpendicular to the fence. Use the square to verify that the blade is perpendicular to the fence. Retighten the screws.
5. Loosen the miter pointer adjustment screw and reposition the pointer so that it indicates exactly zero. Once the pointer is properly positioned, retighten the miter pointer adjustment screw.

Squaring the Blade (90°) to the Table (0° Bevel)

1. Unplug saw
2. Place a square against the table and blade and ensure that the square is not touching blade teeth as this will cause an inaccurate measurement.
3. Remove the 6 screws holding the dust chute together.
4. Move the bevel adjustment lever to the middle position and wedge in a tool (screw driver etc.) so the handle stay in the middle position. Move the saw head so that the bevel detent mechanism locks into the 0° bevel detent.
5. Loosen 2 screws (T25) on the front of the bevel arm, these screws are used to clamp the detent body.
6. Using a T25 wrench you can adjust the bevel setting of the blade-to-table. Clockwise tilts blade to the right, counterclockwise tilts blade to the left.
7. When you have the blade set to the 0° bevel, torque the 2 screws to 85-100 in lbs.
8. Remove the tool used to wedge the bevel adjustment lever.
9. Move the bevel adjustment lever to "lock".
10. Reassemble the dust chute sides, tightening the 6 screws securely.
11. If necessary, loosen the left and right bevel pointer adjustment screws and reposition the pointers so that they indicate exactly zero. Once the pointers are properly positioned, retighten the bevel pointer adjustment screw.

Mounting the Miter Saw

To prevent the tool from sliding, falling or tipping during operation, the saw can be mounted to a supporting surface such as a level, sturdy work table or bench. Position the saw and workbench to allow adequate room for cross-cutting long workpieces. To mount the saw, insert fasteners through the holes in the corners of the saw base.

Installing the Dust Bag

Use the dust bag to collect or divert sawdust. Insert the dust elbow into the dust chute on the back of the saw. Then, attach the dust bag by hooking it onto the dust elbow. Always empty the dust bag before storing and frequently during use.

Raising and Lowering the Saw Head

The saw head must be locked down for transporting and storing the tool. The tool is shipped with the saw head locked down. To unlock it, press and hold down the saw head and simultaneously pull out the lock down pin. To lock the saw head, press and hold down the saw head and then push in the lock down pin.

Locking and Unlocking the Sliding Mechanism

Always lock the sliding mechanism before transporting or storing the saw. To unlock it, loosen the slide rail lock by turning it counterclockwise. To lock it, tighten the slide rail lock by turning it clockwise.

Lock-Off

There is a hole in the trigger through which a padlock will fit to lock the tool when it is not in use. Use a padlock with a 1/4" shackle and always unplug the tool before installing it (padlock not supplied with tool).

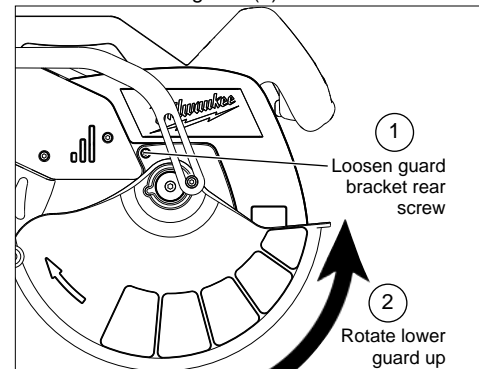
Selecting the Correct Miter Saw Blade

Use only sliding miter saw blades with the MILWAUKEE Sliding Dual Bevel Miter Saw. Saw blades with a 0° hook angle or a negative hook angle work well for Sliding Miter saws. A negative hook angle means that teeth tip away from the direction of rotation, and a 0° degree hook angle means that the teeth are in line with the center of the blade. A low or negative hook angle will slow the feed rate and will also minimize the blade's tendency to "climb" the material being cut.

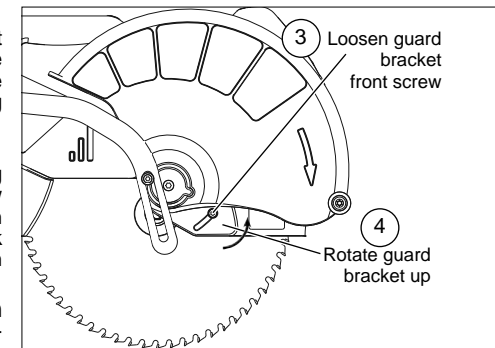
Installing and Changing Blades

Always use clean, sharp blades because dull blades tend to overload the tool, bind and cause pinching. Use only 12" blades rated at least 5500 RPM.

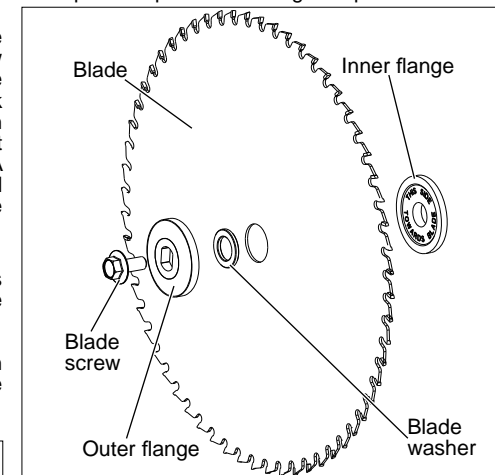
1. Unplug the tool.
2. With the saw head up, use the wrench to loosen the guard bracket rear screw 1/4 turn using the wrench provided (1).
3. Raise the lower guard (2).



4. Loosen (do not remove) the guard bracket front screw (3) until the guard bracket can be raised to expose the blade screw (4). Lower the lower guard until it rests on the guard bracket front screw. This will hold it up and out of the way during the blade change.



5. Press in the spindle lock and rotate the spindle until the lock engages.
6. Use the wrench to loosen and remove the left-hand thread blade screw clockwise.
7. Remove the outer blade flange, blade, blade washer, and inner blade flange. Wipe the flanges, washer, and spindle to remove dust and debris. Inspect the parts for damage. Replace if needed.



8. Install the inner blade flange as shown.
9. Insert the blade washer into the blade arbor hole.
10. Match the arrow on the blade with the arrow on the lower guard. Slide the blade into the upper guard and onto the spindle.
11. Install the outer blade flange.
12. Press in the spindle lock and rotate the blade until the lock engages. Insert and securely tighten the blade screw counterclockwise with the wrench.
13. Rotate the guard bracket into position and securely tighten the two screws. Return the wrench to the wrench holder.
14. Lower the saw head and check the clearance between the blade and the adjustable kerf plates. Important: The lower guard must move freely. The blade should rotate freely (see "Adjusting the Kerf Plates").

Adjusting the Kerf Plates

Kerf plates reduce tear-out and splintering along the cut by providing edge support. Because blades vary in width, adjust the kerf plates with every blade change.

Never make a cut without the adjustable kerf plates installed. The kerf plates can be set at their maximum width to accommodate all blade widths and bevel angles if tear-out and splintering are not a concern.

1. Unplug the tool.
2. Install the blade to be used. **Each time the blade is changed, check to be sure the kerf plates are adjusted properly.**
3. Set the bevel angle. **Each time the bevel is changed, check to be sure the kerf plates are adjusted properly.**
4. Loosen the six kerf plate adjusting screws.
5. Lower the saw head to the full depth of cut (the point where the saw head will not lower any further).
6. Slide the kerf plates to the desired spacing and tighten the six screws.
7. Check to be sure the saw blade does not contact the kerf plates before starting the saw.

OPERATION

⚠WARNING To reduce the risk of injury, wear safety goggles or glasses with side shields. Always wait for the blade to stop completely and unplug the tool before changing accessories or making adjustments. Do not defeat the guards.

Using Face Boards (Zero Clearance Sub Fences)

There are face board mounting holes in the fences for attaching face boards. Face boards place distance between the fence and the workpiece, providing improved support for some workpieces. Workpiece splintering can be reduced by using face boards. As the width of the face board increases, the height of the workpiece which can be cut increases slightly (but the width capacity decreases slightly). Similarly, if you place a face board on the saw table and place a workpiece on top of the face board, you can cut a workpiece with greater width (but with less height).

Guards

The tool is shipped with both the upper and lower guard installed. The lower guard should cover the blade when the saw head is up and it should move freely and open automatically as the saw head is lowered into the workpiece. If the lower guard appears loose, sticks, or if it does not move to cover the blade when the saw head is up, tighten the guard bracket screws. If it still does not move freely, take the saw to an authorized service center for repairs. Do not attempt to open the guard further than the automatic action permits.

Select the Workpiece Carefully

Be cautious of pitchy, knotty, wet or warped workpieces. These materials are likely to create pinching conditions. Workpieces that bow and pinch may result in kick back. Inspect for and remove nails before cutting. Always keep blades clean and sharp; otherwise the blade produces a narrow kerf and is likely to be pinched by the workpiece. This tool is not recommended for cutting ferrous metals such as iron and steel. See Applications for a more complete list of materials.

Support the Workpiece Properly

Always support the workpiece during operation. Otherwise, the workpiece may pull up and into the saw.

1. **Use the Fence:** Align the workpiece flush against the fence to provide a straight path for the saw blade. This will help eliminate the tendency for the blade teeth to bind. The fence can be used as a support for miter, bevel and compound cuts.
2. **Use a clamp:** Clamp the workpiece to the fence or base with a C-clamp.

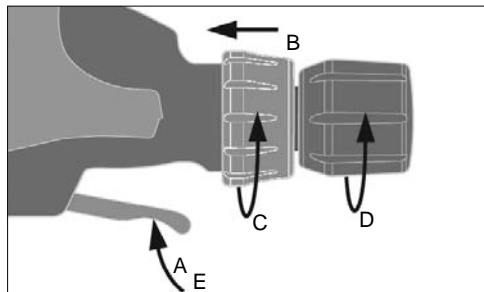
Support of Longer Workpieces

Longer workpieces need support along their full length. If you are using the saw on a level work bench, prop up the workpiece to a height of 4-3/4" from the bottom of the saw feet. There are also many aftermarket work tables specifically designed for miter saws that provide supports for all types of workpieces.

Adjusting the Miter Angle

The miter angle can be set using detents for commonly cut angles, as well as finely adjusted to any angle. Use the miter angle pointer to adjust the turntable to any whole degree across the miter range. The digital miter angle readout shows the selected angle.

1. Loosen the miter angle lock knob.
2. To set the miter angle, pull up on the detent lever and rotate the turntable to the detent angle closest to the desired angle. The saw cuts miter angles from 55° on the left to 60° on the right. Detents are available at 0°, 15°, 22.5°, 32.62°, 45°, and 60°.
3. Tighten the miter angle lock knob to use the miter angle set at the detent before making a cut.
4. To make a fine adjustment to the miter angle:
 - A. Pull up and hold the detent lever.
 - B. Push the fine adjustment ring forward until it locks to engage override.
 - C. Rotate the fine adjustment ring left or right until the desired angle is displayed on the digital miter angle readout. ¼ turn = 1° change in miter angle.
 - D. Tighten the miter angle lock knob to secure the table before making a cut.
 - E. Pull up on the detent lever to release the fine adjustment ring.



Adjusting the Bevel Angle

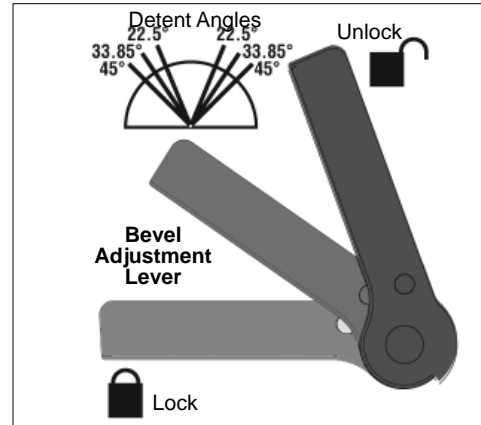
The bevel angle can be set using detents for commonly cut angles, as well as adjusted to any angle in between by using the bevel angle scale. The bevel mechanism also has several degrees of overtravel on both the left and right.

1. Unplug the tool.
2. To adjust the bevel angle, place one hand on the front handle for better control.
3. Using the other hand, lift the bevel adjustment lever:

A. To use **pre-set detents**, lift the bevel adjustment lever half-way up (until it "clicks") to move the saw head left or right, with stops at pre-set detents.

B. To freely move the head, lift the bevel adjustment lever all the way up to freely move the saw head across the bevel range.

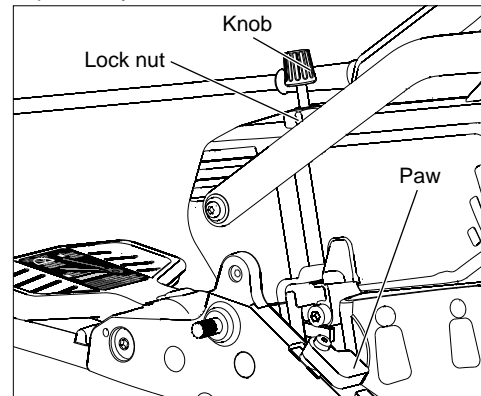
4. Pull or push the saw head to the desired angle using the bevel angle scale.
5. Lock the bevel angle by pressing down the bevel adjustment lever before making a cut.



Adjusting the Depth of Cut

The depth of the cut can be adjusted for groove or rabbet cuts.

1. Unplug the tool.
2. To set the depth of cut, swivel the depth stop paw toward the front of the saw.
3. Lower the saw head to the desired depth of cut.
4. Rotate the depth stop adjustment knob until it contacts the paw. Lock in the depth using the lock nut.
5. Plug in the tool and make a test cut to verify the depth of cut is correct.
6. To remove the depth of cut limit, loosen the lock nut by turning counterclockwise and swivel the paw away from the front of the saw.



Adjusting the Fences

1. Loosen the fence lock knobs.
2. The fences can slide side-to-side to the desired position to allow for a bevel or compound miter cut.
3. Always position the fences properly for maximum work support.
4. Tighten the fence lock knobs securely before making a cut.

NOTE: If either fence has any movement forward to backward, tighten the fence set screw, located on the back of each fence slot.

Lights

Use the on/off switch to turn on the turntable lights before making a cut. Turn off the lights when cutting is complete.

⚠WARNING To reduce the risk of injury, do not rely on the brake as a safety feature. Always wait until the blade stops completely before allowing anything near the blade. To reduce the risk of injury, make sure all adjustments are securely locked before making a cut.

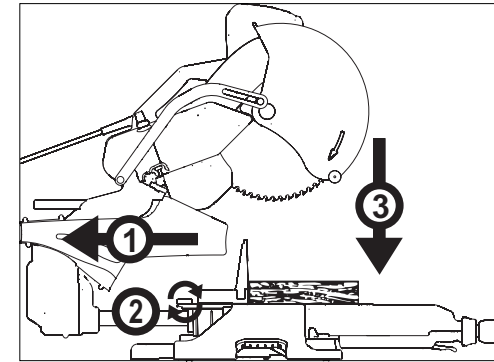
Starting and Stopping the Tool

Always hold the trigger handle firmly because the starting and stopping action of the motor may cause the handle to move up or down slightly. Always secure the turntable by tightening the miter angle lock knob.

1. To **start** the motor, pull the trigger.
2. To **stop** the motor, release the trigger.

Making a Chop Cut

The sliding mechanism can be locked to use the saw for chop cuts (cuts not requiring the use of the slide mechanism). Cut workpieces with chop cuts whenever possible. A chop cut is always faster and easier to make than a sliding cut.

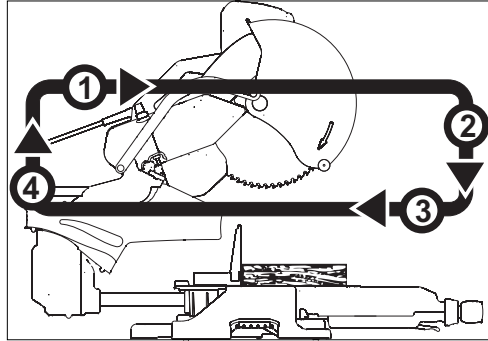


1. Slide the saw head all the way back (1).
2. Tighten the slide rail lock (2).
3. Plug in the tool. Raise the saw head completely.
4. Select the desired angles following the steps in "Adjusting the Miter Angle" and "Adjusting the Bevel Angle".
5. Place the workpiece on the turntable and line up the cut.
6. Support the workpiece using any of the methods described in "Support the Workpiece Properly".
7. Start the motor. Wait a few seconds for the blade to reach full speed. Then gently lower the saw head into the workpiece all the way through the cut (3).

- Always allow the saw to do the work. Forcing the tool may stall or overheat the motor.
- After the cut is complete, release the trigger and wait for the blade to stop completely. Then gently raise the saw head and remove the workpiece. Always unplug the tool before retrieving loose cut-off pieces from inside the guard area.

Making a Sliding Cut

Wider workpieces can be cut using the sliding mechanism.



- Make sure that the slide rail lock is loose and that the saw head moves freely back and forth.
- Select the desired angle following the steps in "Adjusting the Miter Angle" and "Adjusting the Bevel Angle".
- Place the workpiece on the turntable and line up the cut.
- Raise saw head and pull it out OVER the workpiece WITHOUT cutting (1).
- Start the motor. Wait a few seconds for the blade to reach full speed.
- Press down on saw head (2).
- Push saw through the cut (3).
- After the cut is complete, release the trigger and wait for the blade to stop completely. Then gently raise the saw head (4) and remove the workpiece. Always unplug the tool before retrieving loose cut-off pieces from inside the guard area.

APPLICATIONS

WARNING Do not cut stone, brick, concrete, or ferrous metals (iron, steel, stainless steel, or alloys of these metals) with this saw. Do not use abrasive wheels with this saw.

Dust created by cutting these materials and/or using abrasive cut-off wheels can jam the blade guard and possibly cause personal injury.

Recommended Materials and Applications

The following materials can be cut with the slide compound miter saw. There are many types of saw blades available. Always use the proper blade for the particular material and application.

•**Wood** - solid wood, plywood, particle board, MDF (medium density fiberboard), HDF (high density fiberboard), melamine laminated particle board, formica laminates, hardboard (masonite).

•**Plastics** - PVC, CPVC, ABS, solid surfacing materials (such as Corian®), and other plastic materials. When cutting plastic, avoid overheating the blade and blade teeth to prevent melting the workpiece.

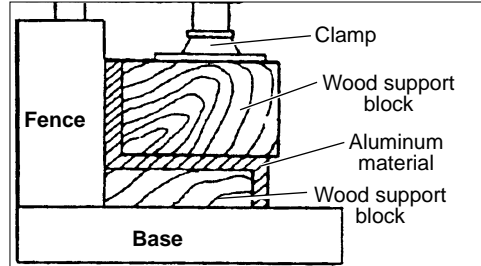
•**Nonferrous Metals** - aluminum, brass, copper, and other non-ferrous materials.

Cutting Non-Square Materials Cutting Round (Cylindrical) Materials

"V" shaped blocks can be used to support round materials like closet rod and plastic pipe.

Aluminum Sash and Other Channel Type and Materials

Aluminum sash material can be supported with blocks to prevent it from deforming while it is being cut.



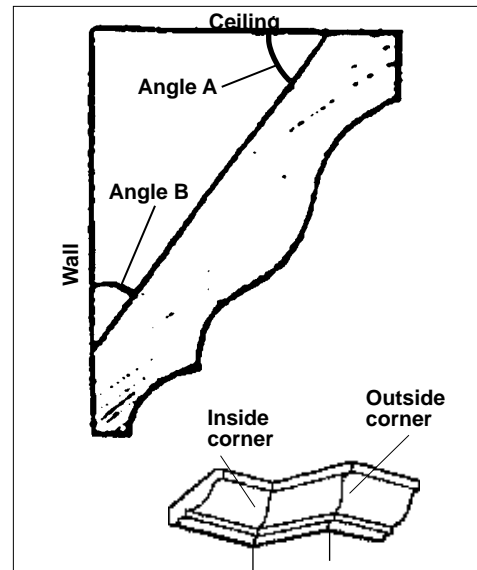
Miter Range	Miter Detents (Stops)
0° to 55° Left	0°, 15°, 22.5°, 31.62°, 45° Left
0° to 60° Right	0°, 15°, 22.5°, 31.62°, 45° Right
Bevel Range	Bevel Detents (Stops)
0° to 45° Left	0°, 22.5°, 33.85°, 45°, 48 Left
0° to 48° Right	0°, 22.5°, 33.85°, 45°, 48 Right
Base Molding Capacity	Nested Crown Capacity
6" at 0°	6-5/8"
6" at 45° Left and Right	

Two Methods for Cutting Crown Molding

The angles created on a piece of crown molding that fits flat against the ceiling and wall will, when added together, equal 90° ($A + B = 90^\circ$). The most common crown molding angles are:
52°/38°: A 52° angle against the ceiling (A) and a 38° angle against the wall (B). The miter saw has special miter settings at 31.6° left and right and a bevel setting at 33.9° to use when cutting 52°/38° crown molding flat on the miter saw table. These settings are identified with a diamond mark.

45°/45°: A 45° angle against the ceiling (A) and a 45° angle against the wall (B). The miter saw has special miter settings at 35.3° left and right and a bevel setting at 30° to use when cutting 45°/45° crown flat on the miter saw table. These settings are identified with a black circle.

NOTE: Even though all of these angles are standard, rooms are very rarely constructed so the corners are exactly 90°. You will need to "fine tune" these settings and make necessary adjustments to the cutting angles.



Cutting Crown Molding Flat on the Miter Saw Table

The advantage of cutting crown molding flat on the table is that it is easier to secure the molding at the correct cutting position. Also larger pieces of crown molding may be cut laying flat on the miter saw table.

- Set the bevel and miter angles using the Crown Molding Miter Angles chart. Tighten the miter lock knob and the bevel lock knob.
 - Using the Positioning section below, correctly position the molding.
- NOTE**: Always make a test cut on scrap material to confirm all angles are correct.
- Make the cut according to "Making a Chop Cut".

Cutting Crown Molding Angled Against the Fence (Nested – in position)

Always use a crown molding fence when cutting crown molding angled against the fence. When cutting crown molding angled against the fence does not require bevel settings. Small changes in the miter angle can be made without affecting the bevel angle. When using this method the saw can be quickly and easily adjusted for corners that are not 90° (square).

Positioning

Standard (U.S.) crown molding with 52° and 38° angles (set bevel angle to 33.85°)

Left side, inside corner

- Top edge of molding against fence
- Miter table set right 31.62°
- Save left end of cut

Right side, inside corner

- Bottom edge of molding against fence
- Miter table set left 31.62°
- Save left end of cut

Left side, outside corner

- Bottom edge of molding against fence
- Miter table set left 31.62°
- Save right end of cut

Right side, outside corner

- Top edge of molding against fence
- Miter table set right 31.62°
- Save right end of cut

Standard (U.S.) crown molding with 45° angles (set bevel angle to 0°)

Left side, inside corner

- Top edge of molding against fence
- Miter table set right 45°
- Save left end of cut

Right side, inside corner

- Bottom edge of molding against fence
- Miter table set left 45°
- Save left end of cut

Left side, outside corner

- Bottom edge of molding against fence
- Miter table set left 45°
- Save right end of cut

Right side, outside corner

- Top edge of molding against fence
- Miter table set right 45°
- Save right end of cut

MAINTENANCE

WARNING To reduce the risk of injury, always unplug the tool before performing any maintenance. Never disassemble the tool. Contact a MILWAUKEE service facility for ALL repairs.

Maintaining Tools

Keep your tool in good repair by adopting a regular maintenance program. Inspect your tool for issues such as undue noise, misalignment or binding of moving parts, breakage of parts, or any other condition that may affect the tool operation. Return the tool to a MILWAUKEE service facility for repair. After six months to one year, depending on use, return the tool to a MILWAUKEE service facility for inspection.

WARNING To reduce the risk of personal injury, electric shock and damage, never immerse your tool in liquid or allow a liquid to flow inside it.

Cleaning

Clean dust and debris from vents. Keep handles clean, dry and free of oil or grease. Use only mild soap and a damp cloth to clean, since certain cleaning agents and solvents are harmful to plastics and other insulated parts. Some of these include gasoline, turpentine, lacquer thinner, paint thinner, chlorinated cleaning solvents, ammonia and household detergents containing ammonia. Never use flammable or combustible solvents around tools.

Repairs

For repairs, return the tool to the nearest service center.

ACCESSORIES

WARNING Use only recommended accessories. Others may be hazardous.

For a complete listing of accessories, go online to www.milwaukeeool.com or contact a distributor.

SERVICE - UNITED STATES

1-800-SAWDUST (1.800.729.3878)

Monday-Friday, 7:00 AM - 6:30 PM CST

or visit www.milwaukeetool.com

Contact Corporate After Sales Service Technical Support with technical, service/repair, or warranty questions.

Email: metproductsupport@milwaukeetool.com

Register your tool at www.milwaukeetool.com...

- to receive important notifications regarding your purchase
- to ensure that your tool is protected under the warranty
- to become a Heavy Duty club member

SERVICE - CANADA

Milwaukee Tool (Canada) Ltd

1.800.268.4015

Monday-Friday, 7:00 AM - 4:30 PM CST

or visit www.milwaukeetool.ca

LIMITED WARRANTY USA & CANADA

Every MILWAUKEE power tool (including cordless product – tool, battery pack(s) - see separate & distinct CORDLESS BATTERY PACK LIMITED WARRANTY statements & battery charger and Work Lights) is warranted to the original purchaser only to be free from defects in material and workmanship. Subject to certain exceptions, MILWAUKEE will repair or replace any part on an electric power tool which, after examination, is determined by MILWAUKEE to be defective in material or workmanship for a period of five (5) years* after the date of purchase unless otherwise noted. Return of the power tool to a MILWAUKEE factory Service Center location or MILWAUKEE Authorized Service Station, freight prepaid and insured, is required. A copy of the proof of purchase should be included with the return product. This warranty does not apply to damage that MILWAUKEE determines to be from repairs made or attempted by anyone other than MILWAUKEE authorized personnel, misuse, alterations, abuse, normal wear and tear, lack of maintenance, or accidents.

*The warranty period for, Job Site Radios, M12™ Power Port, M12™ Power Source, Jobsite Fan and Trade Titan™ Industrial Work Carts is one (1) year from the date of purchase. The warranty period for a LED Work Light and LED Upgrade Bulb is a limited LIFETIME warranty to the original purchaser only, if during normal use the LED bulb fails the Work Light or Upgrade Bulb will be replaced free of charge. *This warranty does not cover Air Nailers & Stapler, Airless Paint Sprayer, Cordless Battery Packs, Gasoline Driven Portable Power Generators, Hand Tools, Hoist – Electric, Lever & Hand Chain, M12™ Heated Jackets, Reconditioned product and Test & Measurement products. There are separate and distinct warranties available for these products.

Warranty Registration is not necessary to obtain the applicable warranty on a MILWAUKEE power tool product. The manufacturing date of the product will be used to determine the warranty period if no proof of purchase is provided at the time warranty service is requested. ACCEPTANCE OF THE EXCLUSIVE REPAIR AND REPLACEMENT REMEDIES DESCRIBED HEREIN IS A CONDITION OF THE CONTRACT FOR THE PURCHASE OF EVERY MILWAUKEE PRODUCT. IF YOU DO NOT AGREE TO THIS CONDITION, YOU SHOULD NOT PURCHASE THE PRODUCT. IN NO EVENT SHALL MILWAUKEE BE LIABLE FOR ANY INCIDENTAL, SPECIAL, CONSEQUENTIAL OR PUNITIVE DAMAGES, OR FOR ANY COSTS, ATTORNEY FEES, EXPENSES, LOSSES OR DELAYS ALLEGED TO BE AS A CONSEQUENCE OF ANY DAMAGE TO, FAILURE OF, OR DEFECT IN ANY PRODUCT INCLUDING, BUT NOT LIMITED TO, ANY CLAIMS FOR LOSS OF PROFITS. SOME STATES DO NOT ALLOW THE EXCLUSION OR LIMITATION OF INCIDENTAL OR CONSEQUENTIAL DAMAGES, SO THE ABOVE LIMITATION OR EXCLUSION MAY NOT APPLY TO YOU. THIS WARRANTY IS EXCLUSIVE AND IN LIEU OF ALL OTHER EXPRESS WARRANTIES, WRITTEN OR ORAL, TO THE EXTENT PERMITTED BY LAW, MILWAUKEE DISCLAIMS ANY IMPLIED WARRANTIES, INCLUDING WITHOUT LIMITATION ANY IMPLIED WARRANTY OF MERCHANTABILITY OR FITNESS FOR A PARTICULAR USE OR PURPOSE; TO THE EXTENT SUCH DISCLAIMER IS NOT PERMITTED BY LAW, SUCH IMPLIED WARRANTIES ARE LIMITED TO THE DURATION OF THE APPLICABLE EXPRESS WARRANTY AS DESCRIBED ABOVE. SOME STATES DO NOT ALLOW LIMITATIONS ON HOW LONG AN IMPLIED WARRANTY LASTS. SO THE ABOVE LIMITATION MAY NOT APPLY TO YOU, THIS WARRANTY GIVES YOU SPECIFIC LEGAL RIGHTS, AND YOU MAY ALSO HAVE OTHER RIGHTS WHICH VARY FROM STATE TO STATE.

This warranty applies to product sold in the U.S.A. and Canada only. Please consult the 'Service Center Search' in the Parts & Service section of MILWAUKEE's website www.milwaukeetool.com or call 1.800.SAWDUST (1.800.729.3878) to locate your nearest service facility for warranty and non-warranty service on a Milwaukee electric power tool.

LIMITED WARRANTY - MEXICO, CENTRAL AMERICA & CARIBBEAN

TECHTRONIC INDUSTRIES' warranty is for 5 year since the original purchase date.

This warranty card covers any defect in material and workmanship on this Power Tool.

To make this warranty valid, present this warranty card, sealed/stamped by the distributor or store where you purchased the product, to the Authorized Service Center (ASC). Or, if this card has not been sealed/stamped, present the original proof of purchase to the ASC. Call toll-free 1 800 832 1949 to find the nearest ASC, for service, parts, accessories or components.

Procedure to make this warranty valid

Take the product to the ASC, along with the warranty card sealed/stamped by the distributor or store where you purchased the product, and there any faulty piece or component will be replaced without cost for you. We will cover all freight costs relative with this warranty process.

Exceptions

This warranty is not valid in the following situations:

- a) When the product is used in a different manners from the end-user guide or instruction manual.
- b) When the conditions of use are not normal.
- c) When the product was modified or repaired by people not authorized by TECHTRONIC INDUSTRIES.

Note: If cord set is damaged, it should be replaced by an Authorized Service Center to avoid electric risks.

SERVICE AND ATTENTION CENTER:

Av Presidente Mazarán 29 Piso 7, 11570 Chapultepec Morales Miguel Hidalgo, Distrito Federal, Mexico Ph. 52 55 4160-3547

IMPORTED AND COMMERCIALIZED BY:
TECHTRONIC INDUSTRIES MEXICO, S.A. DE C.V.

Av Presidente Mazarán 29 Piso 7, 11570 Chapultepec Morales Miguel Hidalgo, Distrito Federal, Mexico

Model: _____

Date of Purchase: _____

Distributor or Store Stamp: _____

RÈGLES DE SÉCURITÉ GÉNÉRALES RELATIVES AUX OUTILS ÉLECTRIQUES

⚠ AVERTISSEMENT Lire toutes les consignes de sécurité, consignes, illustrations et spécifications fournies avec cet outil électrique. Ne pas suivre l'ensemble des règles et instructions peut entraîner une électrocution, un incendie ou des blessures graves. **Conserver les règles et les instructions à des fins de référence ultérieure.** Le terme «outil électrique» figurant dans les avertissements ci-dessous renvoie à l'outil électrique à alimentation par le réseau (à cordon) ou par batterie (sans fil).

SÉCURITÉ DU LIEU DE TRAVAIL

- **Veillez à ce que l'aire de travail soit propre et bien éclairée.** Le désordre et le manque de lumière favorisent les accidents.
- **Ne pas utiliser d'outils électriques dans des atmosphères explosives, par exemple en présence de liquides, gaz ou poussières inflammables.** Les outils électriques produisent des étincelles risquant d'enflammer les poussières ou vapeurs.
- **S'assurer que les enfants et les curieux se trouvent à une bonne distance au moment d'utiliser un outil électrique.** Les distractions peuvent causer une perte de contrôle.

SÉCURITÉ ÉLECTRIQUE

- **Les fiches des outils électriques doivent correspondre à la prise secteur utilisée. Ne jamais modifier la fiche, de quelque façon que ce soit. Ne jamais utiliser d'adaptateurs de fiche avec des outils mis à la terre.** Les fiches et prises non modifiées réduisent le risque de choc électrique.
- **Éviter tout contact avec des surfaces mises à la terre comme des tuyaux, des radiateurs, des cuisinières et des réfrigérateurs.** Le risque de choc électrique est accru lorsque le corps est mis à la terre.
- **Ne pas exposer les outils électriques à l'eau ou l'humidité.** La pénétration d'eau dans ces outils accroît le risque de choc électrique.
- **Ne pas maltraiter le cordon d'alimentation. Ne jamais utiliser le cordon d'alimentation pour transporter l'outil électrique et ne jamais débrancher ce dernier en tirant sur le cordon. Garder le cordon à l'écart de la chaleur, de l'huile, des objets tranchants et des pièces en mouvement.** Un cordon endommagé ou emmêlé accroît le risque de choc électrique.
- **Pour les travaux à l'extérieur, utiliser un cordon spécialement conçu à cet effet.** Utiliser un cordon conçu pour l'usage extérieur réduit les risques de choc électrique.
- **Si l'utilisation d'un outil électrique est inévitable dans un endroit humide, utiliser une source d'alimentation munie d'un disjoncteur de fuite de terre.** L'utilisation d'un disjoncteur de fuite de terre réduit le risque de choc électrique. sécurité individuelle

SÉCURITÉ INDIVIDUELLE

- **Rester attentif, prêter attention au travail et faire preuve de bon sens lors de l'utilisation de tout outil électrique. Ne pas utiliser cet appareil en cas de fatigue ou sous l'influence de l'alcool, de drogues ou de médicaments.** Un moment d'inattention pendant l'utilisation d'un outil électrique peut entraîner des blessures graves.
- **Porter l'équipement de protection individuel requis. Toujours porter une protection oculaire.** Selon les conditions, porter aussi un masque antipoussières, des bottes de sécurité antidérapantes, un casque protecteur ou une protection auditive afin de réduire les blessures.
- **Empêcher les démarrages accidentels. S'assurer que la gâchette est en position d'arrêt avant de brancher l'outil à une source de courant, d'insérer la batterie, de le ramasser ou de le transporter.** Le fait de transporter un outil électrique en gardant le doigt sur la gâchette ou de mettre sous tension un outil électrique lorsque la gâchette est en position de marche favorise les accidents.
- **Retirer les clés de réglage avant de mettre l'outil en marche.** Une clé laissée sur une pièce rotative de l'outil peut causer des blessures.
- **Ne pas travailler hors de portée. Toujours se tenir bien campé et en équilibre.** Une bonne stabilité procure un meilleur contrôle de l'outil électrique en cas d'imprévu.
- **Porter une tenue appropriée. Ne porter ni vêtements amples, ni bijoux. Garder les cheveux et les vêtements à l'écart des pièces en mouvement.** Les vêtements flottants, les bijoux ou les cheveux longs risquent d'être happés par les pièces en mouvement.
- **Si les outils sont équipés de dispositifs de dépoissierage, s'assurer qu'ils sont connectés**

et correctement utilisés. L'utilisation d'un collecteur de poussière permet de réduire les dangers liés à la poussière.

• **Ne pas laisser la familiarité avec l'outil acquise par une utilisation fréquente vous rendre suffisant et vous amener à ignorer les règles de sécurité.** Une utilisation négligée peut causer une blessure grave en une fraction de seconde.

UTILISATION ET ENTRETIEN DE L'OUTIL ÉLECTRIQUE

- **Ne pas forcer l'outil électrique. Utiliser l'outil électrique approprié pour l'application.** Un outil électrique approprié exécutera le travail mieux et de façon moins dangereuse s'il est utilisé dans les limites prévues.
- **Ne pas utiliser l'outil électrique si le commutateur ne permet pas de le mettre en marche ou de l'arrêter.** Tout outil électrique qui ne peut pas être contrôlé par son commutateur est dangereux et doit être réparé.
- **Débrancher l'outil et/ou retirer le bloc-piles, si possible, avant d'effectuer des réglages, de changer d'accessoire ou de remettre l'outil.** Ces mesures de sécurité préventives réduisent les risques de démarrage accidentel de l'outil.
- **Entreposer l'outil électrique hors de la portée des enfants et interdire à quiconque de l'utiliser si la personne ne connaît pas bien le produit ou les instructions.** Les outils électriques sont dangereux dans les mains d'utilisateurs novices.
- **Entretenir les outils électriques et les accessoires. Vérifier qu'aucune pièce mobile n'est mal alignée ou bloquée, qu'aucune pièce n'est brisée et s'assurer qu'aucun autre problème risque d'affecter le bon fonctionnement de l'outil. En cas de dommages, faire réparer l'outil avant de l'utiliser.** Plusieurs accidents sont causés par des produits mal entretenus.
- **Garder les outils bien affûtés et propres.** Des outils correctement entretenus et dont les tranchants sont bien affûtés risquent moins de se bloquer et sont plus faciles à contrôler.
- **Utiliser l'outil électrique, les accessoires, les embouts etc. conformément à ces instructions en tenant compte des conditions de travail et de la tâche à effectuer.** L'usage d'un outil électrique pour des applications pour lesquelles il n'est pas conçu peut être dangereux.
- **Garder les poignées et les surfaces de préhension sèches, propres et exemptes d'huile ou de graisse.** Des poignées et des surfaces de préhension glissantes ne permettent pas de manipuler et de contrôler l'outil en toute sécurité en cas de situation imprévue.

ENTRETIEN

- **Les réparations de l'outil électrique doivent être confiées à un technicien qualifié, utilisant exclusivement des pièces identiques à celles d'origine.** Le maintien de la sûreté de l'outil électrique sera ainsi assuré.

RÈGLES DE SÉCURITÉ SPÉCIFIQUES POUR LES SCIE À ONGLETS

- **Les scies à ongles sont destinées à couper le bois ou des produits assimilés, et ne peuvent pas être utilisées avec une meule tronçonneuse pour la coupe de matériaux ferreux tels que des barres, tiges, goujons, etc. La poussière d'abrasif**

provoque le coincement des pièces mobiles telles que le protecteur inférieur. Les étincelles générées par une coupe abrasive provoquent l'inflammation du protecteur inférieur, de l'insert de saignée et des autres pièces en plastique.

- **Utiliser dans toute la mesure du possible des presseurs pour soutenir la pièce. En cas de soutien de la pièce à la main, il faut toujours maintenir la main à une distance d'au moins 100 mm de chaque côté de la lame de scie. Ne pas utiliser cette scie pour couper des pièces qui sont trop petites pour pouvoir être serrées en toute sécurité ou tenues à la main.** Une main placée trop près de la lame de scie augmente le risque de blessure par contact avec la lame.
- **La pièce doit être fixe et serrée ou maintenue contre le guide et la table. Ne jamais avancer la pièce dans la lame ou ne jamais couper "à main levée".** Des pièces non maintenues ou mobiles peuvent être éjectées à des vitesses élevées et provoquer de ce fait des blessures.
- **Scier la pièce en exerçant une poussée sur la scie. Ne pas scier la pièce en exerçant une traction sur la scie. Pour effectuer une coupe, lever la tête d'abattage et la placer au-dessus de la pièce sans la couper, lancer le moteur, appuyer sur la tête d'abattage et scier la pièce en exerçant une poussée sur la scie.** Une opération de coupe tirante est susceptible de provoquer le déplacement de la lame de scie vers le sommet de la pièce et de propulser violemment ainsi l'assemblage de la lame vers l'opérateur.
- **Ne jamais croiser la main avec la ligne de coupe prévue que ce soit devant ou derrière la lame de scie.** Soutenir la pièce "main croisée", c'est-à-dire en maintenant la pièce du côté droit de la lame de scie avec la main gauche ou inversement est très dangereux.
- **Ne pas approcher les mains de la partie arrière du guide à une distance de moins de 100 mm par rapport à chaque côté de la lame de scie, afin de retirer des copeaux de bois, ou pour toute autre raison, et ce, alors que la lame tourne.** La proximité de la lame de scie en rotation et de la main peut ne pas être évidente et peut risquer de provoquer de graves blessures.
- **Examiner la pièce avant de couper. Si la pièce est courbée ou gauchie, la serrer avec la face courbée extérieure dirigée vers le guide. Toujours s'assurer de l'absence d'espace entre la pièce, le guide et la table le long de la ligne de coupe.** Les pièces pliées ou gauchies peuvent se tordre ou se décaler et peuvent entraîner un blocage de la lame de scie en rotation lors de la coupe. Il convient que la pièce ne comporte aucun clou ni aucun corps étranger.
- **Ne pas utiliser la scie tant que la table n'est pas dégagée de tous les outils, copeaux de bois, etc., à l'exception de la pièce.** Les petits débris, les morceaux de bois détachés ou d'autres objets en contact avec la lame en rotation peuvent être éjectés avec une vitesse élevée.
- **Ne couper qu'une seule pièce à la fois.** Plusieurs pièces empilées ne peuvent être serrées ou entourées de manière appropriée et peuvent bloquer la lame ou se décaler lors de la coupe.
- **S'assurer que la scie à onglets est montée ou placée sur une surface de travail solide de niveau avant utilisation.** Une surface de travail solide de niveau réduit le risque d'instabilité de la scie à onglets.
- **Planifier votre travail. A chaque changement de**

réglage de l'angle de biseau ou d'onglet, s'assurer que le guide réglable est réglé correctement afin de soutenir la pièce, et n'affecte pas la lame ou le système de protection. Sans mettre l'outil en position "MARCHÉ" et sans aucune pièce placée sur la table, déplacer la lame de scie en simulant une coupe complète afin de s'assurer de l'absence de tout obstacle ou de tout risque de sectionnement du guide.

• **Prévoir un support approprié tel que des rallonges de table, des chevalets de sciage, etc. pour une pièce plus large ou plus longue que le plateau de la table.** Des pièces plus longues ou plus larges que la table de la scie à onglets peuvent basculer si elles ne sont pas soutenues de manière sûre. Un basculement de la pièce coupée ou de la pièce à couper peut soulever le protecteur inférieur ou la pièce coupée ou à couper peut être éjectée par la lame en rotation.

• **Ne pas demander à une tierce personne de servir de rallonge de table ou de support supplémentaire.** Un support instable de la pièce peut entraîner le blocage de la lame ou le décalage de la pièce lors de la coupe, vous entraînant, de même que l'assistant, dans la lame en rotation.

• **La pièce coupée ne doit pas être coincée ou comprimée par quelque moyen que ce soit contre la lame de scie en rotation.** Si elle devait être enserrée, c'est-à-dire à l'aide de butées longitudinales, la pièce coupée pourrait être coincée contre la lame et être éjectée violemment.

• **Toujours utiliser un presseur ou un appareil de serrage conçu pour soutenir correctement tout matériau rond tel que des tiges ou des tubes.** Les tiges ont tendance à rouler lors de leur coupe, ce qui provoque une "action de morsure" de la lame et entraîne la pièce et la main dans ladite lame.

• **Laisser la lame atteindre sa vitesse maximale avant qu'elle n'entre en contact avec la pièce.** Cela réduit le risque d'éjection de la pièce.

• **Lorsque la pièce ou la lame est coincée, mettre la scie à onglets en position arrêt. Attendre l'arrêt complet de toutes les parties mobiles et débrancher la prise de la source d'alimentation et/ou retirer le bloc-piles. Libérer ensuite le matériau coincé.** Un sciage continu avec une pièce coincée peut entraîner une perte de contrôle ou endommager la scie à onglets.

• **Une fois la coupe achevée, relâcher l'interrupteur de puissance, abaisser la tête d'abattage et attendre l'arrêt de la lame avant de retirer la pièce coupée.** Il est dangereux d'approcher la main de la lame qui continue de tourner.

• **Maintenir la poignée fermement lors de la réalisation d'une coupe incomplète ou lors du relâchement de l'interrupteur de puissance avant que la tête d'abattage ne soit totalement à l'arrêt.** Le freinage de la scie peut provoquer une saccade descendante de la tête d'abattage, entraînant de ce fait un risque de blessure.

• **Maintenir en l'état les étiquettes et les plaques d'identification.** Des informations importantes y figurent. Si elles sont illisibles ou manquantes, contacter un centre de services et d'entretien MILWAUKEE pour un remplacement gratuit.

⚠️ AVERTISSEMENT Certaines poussières générées par les activités de ponçage, de coupe, de rectification, de perçage et d'autres activités de construction contiennent des substances considérées être la cause de malformations congénitales et de troubles de l'appareil reproducteur. Parmi ces substances figurent:

- le plomb contenu dans les peintures à base de plomb;
 - la silice cristalline des briques, du ciment et d'autres matériaux de maçonnerie, ainsi que
 - l'arsenic et le chrome des sciages traités chimiquement.
- Les risques encourus par l'opérateur envers ces expositions varient en fonction de la fréquence de ce type de travail. Pour réduire l'exposition à ces substances chimiques, l'opérateur doit travailler dans une zone bien ventilée et porter l'équipement de sécurité approprié, tel qu'un masque anti-poussière spécialement conçu pour filtrer les particules microscopiques.

SPECIFICATIONS

No de Cat.....	6955-20
Volts.....	120 CA
Ampères.....	15
T/Min. à vide.....	3 200
Taille de l'axe.....	5/8"
Taille de la lame.....	305 mm (12")
Épaisseur de la lame.....	3,1 mm (1/8")
Poids.....	65 lbs.

CORDONS DE RALLONGE

Si l'emploi d'un cordon de rallonge est nécessaire, un cordon à trois fils doit être employé pour les outils mis à la terre. Pour les outils à double isolation, on peut employer indifféremment un cordon de rallonge à deux ou trois fils. Plus la longueur du cordon entre l'outil et la prise de courant est grande, plus le calibre du cordon doit être élevé. L'utilisation d'un cordon de rallonge incorrectement calibré entraîne une chute de voltage résultant en une perte de puissance qui risque de détériorer l'outil. Reportez-vous au tableau ci-contre pour déterminer le calibre minimum du cordon. Moins le calibre du fil est élevé, plus sa conductivité est bonne. Par exemple, un cordon de calibre 14 a une meilleure conductivité qu'un cordon de calibre 16. Lorsque vous utilisez plus d'une rallonge pour couvrir la distance, assurez-vous que chaque cordon possède le calibre minimum requis. Si vous utilisez un seul cordon pour brancher plusieurs outils, additionnez le chiffre d'intensité (ampères) inscrit sur la fiche signalétique de chaque outil pour obtenir le calibre minimal requis pour le cordon.

Directives pour l'emploi des cordons de rallonge

- Si vous utilisez une rallonge à l'extérieur, assurez-vous qu'elle est marquée des sigles « W-A » (« W » au Canada) indiquant qu'elle est adéquate pour usage extérieur.
- Assurez-vous que le cordon de rallonge est correctement câblé et en bonne condition. Remplacez tout cordon de rallonge détérioré ou faites-le remettre en état par une personne compétente avant de vous en servir.
- Tenez votre cordon de rallonge à l'écart des objets ranchants, des sources de grande chaleur et des endroits humides ou mouillés.

Calibres minimaux recommandés pour les cordons de rallonge*						
Fiche signalétique Ampères	Longueur du cordon de rallonge (m)					
	7,6	12,2	22,8	30,4	45,7	60,9
0 - 5,0	16	16	16	14	12	12
5,1 - 8,0	16	16	14	12	10	--
8,1 - 12,0	14	14	12	10	--	--
12,1 - 15,0	12	12	10	10	--	--
15,1 - 20,0	10	10	10	--	--	--

* Basé sur sur une chute de voltage limite de 5 volts à 150% de l'intensité moyenne de courant.

MISE A LA TERRE

⚠️ AVERTISSEMENT Si le fil de mise à la terre est incorrectement raccordé, il peut en résulter des risques de choc électrique. Si vous n'êtes pas certain que la prise dont vous vous servez est correctement mise à la terre, faites-la vérifier par un électricien. **N'altérez pas la fiche du cordon de l'outil. N'enlevez pas de la fiche, la dent qui sert à la mise à la terre. N'employez pas l'outil si le cordon ou la fiche sont en mauvais état. Si tel est le cas, faites-les réparer dans un centre-service MILWAUKEE accrédité avant de vous en servir. Si la fiche du cordon ne s'adapte pas à la prise, faites remplacer la prise par un électricien.**

Outils mis à la terre (fiche à trois dents)

Les outils marqués « Mise à la terre requise » sont pourvus d'un cordon à trois fils dont la fiche a trois dents. La fiche du cordon doit être branchée sur une prise correctement mise à la terre (voir Figure A). De cette façon, si une défectuosité dans le circuit électrique de l'outil survient, le relais à la terre fournira un conducteur à faible résistance pour décharger le courant et protéger l'utilisateur contre les risques de choc électrique.

La dent de mise à la terre de la fiche est reliée au système de mise à la terre de l'outil via le fil vert du cordon. Le fil vert du cordon doit être le seul fil raccordé à un bout au système de mise à la terre de l'outil et son autre extrémité ne doit jamais être raccordée à une borne sous tension électrique.

Votre outil doit être branché sur une prise appropriée, correctement installée et mise à la terre conformément aux codes et ordonnances en vigueur. La fiche du cordon et la prise de courant doivent être semblables à celles de la Figure A.








Fig. A

Outils à double isolation (fiche à deux dents)

Les outils marqués « Double Isolation » n'ont pas besoin d'être raccordés à la terre. Ils sont pourvus d'une double isolation conforme aux exigences de l'OSHA et satisfont aux normes de l'Underwriters Laboratories, Inc., de l'Association canadienne de normalisation (ACNOR) et du « National Electrical Code » (code national de l'électricité). Les outils à double isolation peuvent être branchés sur n'importe laquelle des prises à 120 volt illustrées ci-contre Figure B et C.

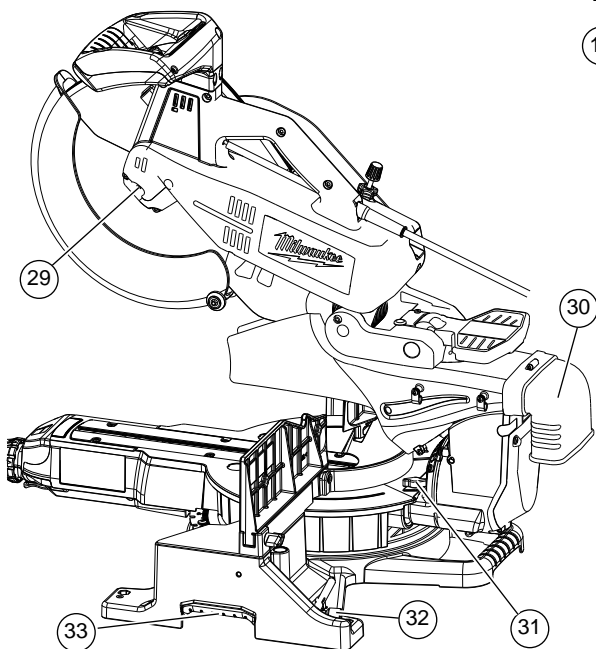
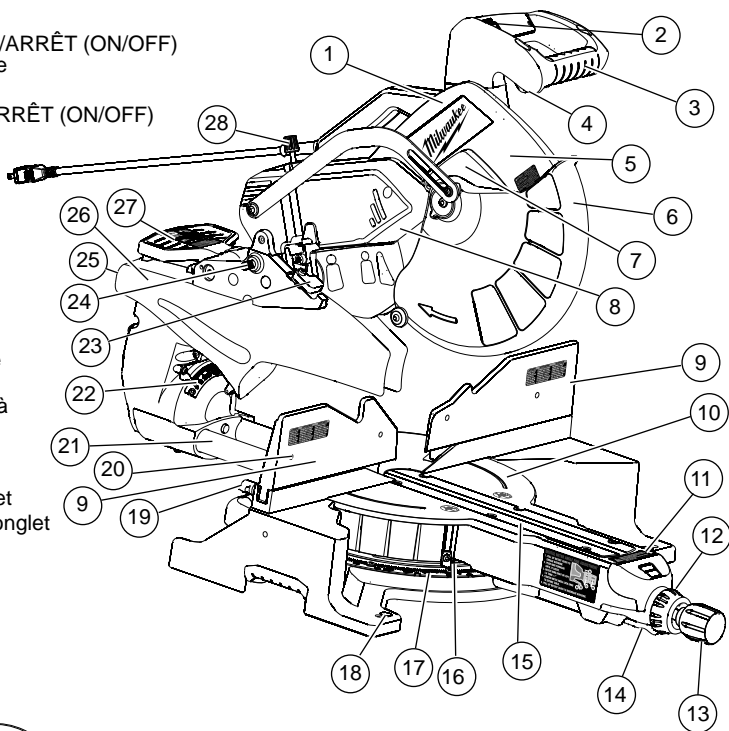
Fig. B Fig. C

PICTOGRAPHIE

-  Double Isolation
-  Volts
-  Couvant alternatif
-  Ampères
-  n_s XXXX min⁻¹ Tours-minute à vide (RPM)
-  c UL US UL Listing Mark pour Canada et États-unis
-  Tenez toujours les mains à l'écart de la ligne de coupe

DESCRIPTION FONCTIONNELLE

1. Tête porte-scie
2. Interrupteur MARCHE/ARRÊT (ON/OFF) de la lampe d'éclairage
3. Upper handle
4. Gâchette MARCHE/ARRÊT (ON/OFF)
5. Protecteur supérieur
6. Protecteur inférieur
7. Support de protecteur
8. Lampes d'éclairage
9. Guide
10. Plaque tournante
11. Indicateur numérique d'angle d'onglet
12. Collier de réglage fin
13. Bouton de verrouillage d'angle d'onglet
14. Levier du mécanisme à crans
15. Plaques à entailler réglables
16. Aiguille d'angle d'onglet
17. Rapporteur d'angle d'onglet



18. Trous de montage (4)
19. Bouton de verrouillage du guide
20. Trous de montage (4) des panneaux de façade du guide
21. Barres coulissantes
22. Rapporteur d'angle de biseau
23. Patin de la butée de profondeur
24. Goupille de verrouillage de la tête
25. Port d'éjection de la sciure
26. Conduit d'éjection de la sciure
27. Levier de réglage du biseau
28. Bouton de réglage de la butée de profondeur
29. Bouton de verrouillage de la broche
30. Coude du sac à sciure (sac à sciure non illustré)
31. Dispositif de verrouillage des barres coulissantes
32. Rangement de la clé
33. Poignées de transport

CAPACITIES

- Coupes d'onglet**
- Hauteur maximale à 90° 166,4 mm (6,55") de hauteur pour 53,3 mm (2,1") de largeur
- Hauteur maximale à 45° 166,4 mm (6,55") de hauteur pour 10,2 mm (0,4") de largeur
- Largeur maximale à 90° 342,9 mm (13,5") de largeur pour 102,1 mm (4,02") de hauteur
- Largeur maximale à 45° 241,6 mm (9,51") de largeur pour 102,1 mm (4,02") de hauteur
- Coupes combinées** Capacité de coupe avec ongle à 45° et biseau à 45°
- Gauche 241,6 mm (9,51") de largeur pour 57,2 mm (2,25") de hauteur
- Droite 241,6 mm (9,51") de largeur pour 48,3 mm (1,9") de hauteur

CARACTÉRISTIQUES

Système de scie à onglets

La scie à onglets MILWAUKEE modèle 6955 20 est munie d'une plaque en acier robuste avec des crans (arrêts). Cette plaque d'acier est très résistante et permet une précision répétée à chacun des crans. L'angle d'onglet peut être réglé à l'aide des crans afin de donner les angles de coupe les plus fréquemment utilisés soit 0°, 15°, 22,5°, 31,62°, 45° à droite et à gauche et aussi 60° à droite. Le modèle 6955-20 offre une plage d'angles de coupe allant de 55° sur la gauche à 60° sur la droite. Le roulement de qualité industrielle permet d'ajuster la plaque tournante rapidement et de façon précise sur n'importe quel de ces angles.

Fonction de réglage fin de l'angle d'onglet

Pour certains travaux de menuiserie minutieux, notamment la conception d'un cadre de fenêtre ou de porte, il peut être nécessaire de compenser l'absence d'angles droits par un réglage fin de l'angle d'onglet de la plaque tournante. Le système de réglage fin de l'angle d'onglet permet d'effectuer ce processus de façon simple et rapide, particulièrement lorsque la scie est positionnée près d'un cran d'onglet (arrêt).

Indicateur numérique d'angle d'onglet

La scie à onglets MILWAUKEE modèle 6955-20 possède un indicateur numérique d'angle d'onglet situé sur le devant la plaque tournante qui permet de fixer l'angle d'onglet de la plaque tournante avec une précision de 0,1°. L'indicateur numérique d'angle d'onglet est fondé sur la précision mécanique de la plaque tournante. Il n'est pas nécessaire d'effectuer l'ajustement du dispositif d'affichage puisque l'étalonnage s'effectue automatiquement à chaque fois que la plaque tournante est positionnée sur un cran d'onglet.

L'utilisation du système de réglage fin de l'angle d'onglet jumelée à celle de l'indicateur numérique permet d'ajuster légèrement l'angle de coupe de façon précise et rapide sur la plage d'angles d'onglet. L'utilisation combinée de ces fonctions permet de simplifier l'ajustement de la plaque tournante et la répétition de tout réglage d'angle d'onglet.

Lorsque la plaque tournante est positionnée à un angle d'onglet à GAUCHE, l'indicateur numérique affichera le symbole (-) devant l'angle (par exemple : -22,5° ou -44,7°). Lorsque la plaque tournante est positionnée à un angle d'onglet à DROITE,

l'indicateur numérique présentera les données comme suit : 22,5° ou 44,7°.

Fonction de réglage à double biseau

La fonction de réglage à double biseau permet d'effectuer des ajustements de façon rapide et précise pour les angles de coupe à gauche et à droite. L'angle de biseau peut être réglé à l'aide des crans (arrêts) afin de donner les angles de coupe utilisés les plus fréquemment soit 0°, 22,5°, 33,85° et 45° à droite et à gauche. Le mécanisme de coupe en biseau offre également plusieurs degrés de coupe supplémentaire au delà de 45° tant à droite qu'à gauche.

Circuit électronique de commande de rétroaction

Le circuit électronique de commande de rétroaction aide à améliorer l'utilisation de l'outil ainsi que sa durée de vie. Il permet à l'outil de maintenir une vitesse et un couple constants entre les conditions de charge et les conditions sans charge. Le démarrage en douceur permet de minimiser la réaction de couple au démarrage tant pour l'outil que pour l'utilisateur et d'augmenter la vitesse graduellement de zéro à la vitesse maximale à vide.

Frein électrique

Le frein électrique s'engage lorsque la gâchette est relâchée ce qui entraîne l'arrêt de la lame et permet d'effectuer l'opération désirée. **AVERTISSEMENT!** Le frein électrique ne doit pas être considéré comme un substitut aux protecteurs, il est donc essentiel de toujours attendre l'arrêt complet de la lame avant de retirer celle-ci du trait de scie. La lame s'arrête généralement en 4 à 5 secondes. Il peut toutefois y avoir un délai entre le moment où la gâchette est relâchée et le moment où le frein électrique s'engage. Le frein peut parfois ne pas fonctionner. Si cela est fréquent, un entretien devra alors être effectué par un centre de service MILWAUKEE autorisé.

Lampes d'éclairage

La scie à onglets MILWAUKEE modèle 6950-20 possède deux lampes d'éclairage haute puissance situées des deux côtés de la lame afin d'éclairer la zone de coupe ainsi que la pièce à travailler de façon à assurer une bonne vision de la lame lorsqu'elle s'approche de la ligne de taille. L'interrupteur MARCHE/ARRÊT des lampes d'éclairage est situé sur la poignée de la gâchette. Les ampoules, de modèle standard GE 193, ont une durée de vie de plusieurs années.

Collecteur de sciure

Le collecteur de sciure de la scie à onglets Milwaukee modèle 6955-20 est muni d'une chute à sciure située des deux côtés de la lame afin de capter et de diriger la poussière vers l'arrière de la scie. Un sac à sciure ainsi qu'un coude pour ce sac sont inclus avec la scie et peuvent être fixés à l'embout de la chute à sciure. Une fermeture à glissière, située au bas du sac à sciure, permet de vider facilement le sac. Lorsque la scie est utilisée sur un banc de scie, la fermeture à glissière du sac à sciure peut demeurer ouverte afin de permettre à la sciure de tomber dans un récipient à déchets.

Poignées de transport

Afin de faciliter le transport de la scie, des poignées sont situées de chaque côté de la plaque et une poignée supplémentaire se trouve sur le dessus de la tête porte scie. Toujours verrouiller la tête porte scie vers le bas lors du transport.

MONTAGE DE L'OUTIL

AVERTISSEMENT Pour minimiser les risques de blessures, débranchez toujours l'outil avant d'y faire des réglages, d'y attacher ou d'en enlever les accessoires. L'usage d'accessoires autres que ceux qui sont spécifiquement recommandés pour cet outil peut comporter des risques.

Réglage de la scie à onglets

Le réglage complet de la scie à onglets modèle 6955-20 est effectué à l'usine. Si le transport et la manutention ont dérégulé l'outil, veuillez suivre les instructions ci-dessous afin d'effectuer le réglage de la scie avec précision. Ce réglage devrait conserver sa précision s'il est effectué correctement et si l'utilisation et le transport de l'outil s'effectuent dans des conditions normales.

Équerrage de la lame (à 90°) par rapport au guide (onglet à 0°)

1. Débrancher la scie.
2. Placer une équerre contre le guide et la lame et éviter que l'équerre touche aux dents de la lame, ce qui rendrait la mesure imprécise.
3. Desserrer le bouton de verrouillage de l'onglet et aligner la scie pour fixer l'onglet à 0°. Ne pas serrer le bouton de verrouillage.
4. Si la lame de scie n'est pas exactement perpendiculaire au guide, utiliser la clé fournie pour desserrer les vis qui permettent de fixer le rapporteur d'onglet sur la base. Déplacer le rapporteur vers la gauche ou la droite jusqu'à ce que la lame soit perpendiculaire au guide et vérifier à l'aide d'une équerre. Resserrer les vis.
5. Desserrer la vis de réglage de l'aiguille d'angle d'onglet et replacer l'aiguille de manière à ce qu'elle indique le zéro. Une fois l'aiguille placée correctement, resserrer la vis.

Équerrage de la lame (à 90°) par rapport à la table (biseau à 0°)

1. Débrancher la scie.
2. Placer l'équerre contre la table et la lame et éviter que l'équerre touche aux dents de la lame, ce qui rendrait la mesure imprécise.
3. Retirer les 6 vis qui tiennent ensemble les parois du port d'éjection de la sciure.
4. Déplacer le levier de réglage du biseau jusqu'au milieu et enfoncer là un outil (tournevis, etc.) pour garder la poignée dans cette position. Déplacer la tête porte scie jusqu'à ce que le mécanisme à crans du biseau s'arrête sur la position 0°.
5. Desserrer les 2 vis (T25) situées en avant de l'axe de biseau. Ces vis sont utilisées pour serrer le corps du mécanisme à crans.
6. À l'aide d'une clé T25, il est possible d'ajuster l'angle de biseau de la lame par rapport à la table. Tourner la vis dans le sens horaire pour incliner la lame vers la droite et la tourner dans le sens antihoraire pour incliner la lame vers la gauche.
7. Une fois la lame réglée pour un biseau à 0°, serrer les 2 vis jusqu'à 85-100 lb.
8. Retirer l'outil qui a été utilisé afin de bloquer le levier de réglage du biseau.
9. Amener le levier de réglage du biseau à la position « lock » (verrouillage).
10. Réassembler les parois du port d'éjection de la sciure et serrer solidement les 6 vis.

11. Au besoin, desserrer les vis de réglage de l'aiguille d'angle de biseau et la replacer de manière à ce qu'elle indique le zéro. Une fois l'aiguille placée correctement, resserrer les vis.

Installation de la scie à onglets

Pour empêcher l'outil de glisser, basculer ou tomber en cours d'opération, il est possible de le monter sur une surface de support comme un établi robuste et de niveau. Disposer la scie et l'établi de manière à avoir suffisamment d'espace pour procéder à la coupe transversale de longues pièces à travailler. Pour fixer la scie sur l'établi, insérer des pièces de fixation dans les trous situés dans les coins de la base de la scie.

Installation du sac à sciure

Utiliser le sac à sciure pour recueillir ou écarter la sciure. Insérer le coude du sac à sciure dans le port d'éjection de la sciure situé à l'arrière de la scie. Fixer ensuite le sac à sciure en l'accrochant sur le coude. Toujours vider le sac avant d'entreposer l'outil et le vider fréquemment durant l'utilisation.

Élévation et abaissement de la tête porte scie

Il importe de bloquer la tête porte scie en position basse au moment de transporter et d'entreposer l'outil. L'outil est expédié avec la tête porte scie verrouillée dans cette position. Pour la déverrouiller, appuyer sur la tête et la tenir baissée tout en enlevant la goupille de verrouillage.

Verrouillage et déverrouillage du mécanisme de coulissement

Toujours verrouiller le mécanisme de coulissement avant de transporter ou d'entreposer la scie. Pour le déverrouiller, desserrer le mécanisme de verrouillage des rails de glissement en tournant dans le sens antihoraire. Pour le verrouiller, serrer le mécanisme de verrouillage des rails de glissement en le tournant dans le sens horaire.

Verrouillage

La gâchette comprend un trou dans lequel il est possible d'insérer un cadenas afin de verrouiller l'outil lorsqu'il n'est pas utilisé. Utiliser un cadenas doté d'un arceau de 6,35 mm (1/4") et toujours s'assurer de débrancher l'outil avant de l'installer (le cadenas n'est pas fourni avec l'outil).

Choix de la lame de scie à onglets appropriée

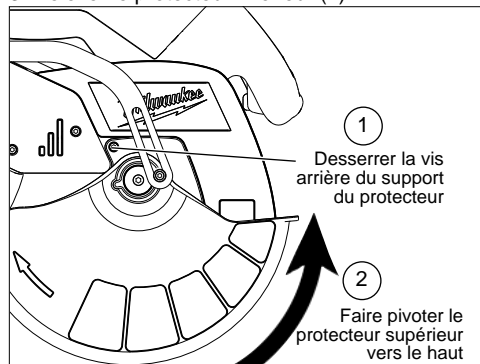
Utiliser seulement des lames de scie à onglets coulissantes avec la scie à onglets coulissante à double biseau Milwaukee. Les lames de scie qui présentent un angle d'attaque négatif ou de 0° conviennent bien aux scies à onglets coulissantes. Si l'angle d'attaque est négatif, cela signifie que les dents de la scie s'écartent du sens de la rotation. Si l'angle de coupe est de 0°, cela signifie que les dents de la scie sont alignées avec le centre de la lame. Un angle d'attaque faible ou négatif ralentira la vitesse d'amenage et la lame aura moins tendance à « monter » sur la pièce coupée.

Installation et changement des lames

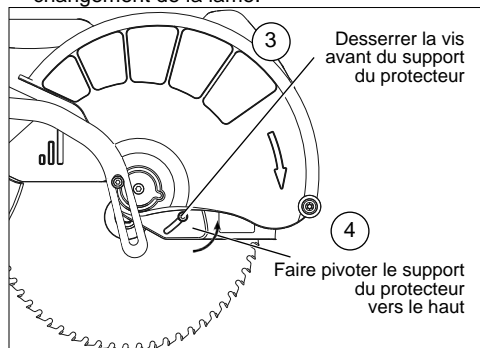
Toujours s'assurer que les lames sont propres et tranchantes. Les lames émoussées ont tendance à provoquer une surcharge de l'outil, ainsi qu'à se coincer et à être pincées. Utiliser des lames de 305 mm (12") homologuées pour une vitesse d'au moins 5 500 r/min.

1. Débrancher l'outil.
2. Tout en gardant la tête porte scie levée, utiliser la clé fournie (1) pour desserrer de 1/4 de tour la vis arrière du support du protecteur.

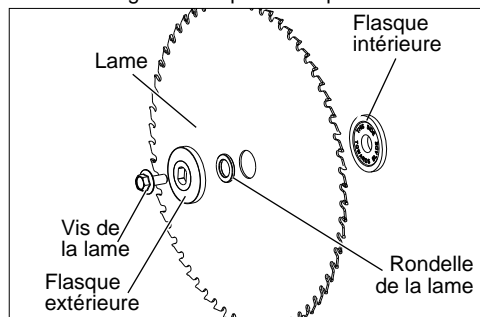
3. Relever le protecteur inférieur (2).



4. Desserrer (sans retirer) la vis avant du support de protecteur (3) jusqu'à ce qu'il soit possible de relever le support du protecteur et d'exposer la vis de la lame (4). Abaisser le protecteur inférieur jusqu'à ce qu'il s'appuie sur la vis avant du support du protecteur. Cela permettra de soutenir le protecteur et de le garder à l'écart pendant le changement de la lame.



5. Appuyer sur le bouton de verrouillage de la broche et tourner la broche jusqu'à ce que le bouton de verrouillage s'enclenche.
6. À l'aide de la clé, desserrer et retirer la vis de la lame fileté à gauche en la tournant dans le sens horaire.
7. Retirer les flasques de lame extérieure et intérieure, la lame ainsi que la rondelle de la lame. Essuyer les flasques, la rondelle et la broche afin de retirer la poussière et les débris. Examiner les pièces afin de s'assurer qu'elles ne sont pas endommagées. Remplacer les pièces au besoin.



8. Installer la flasque de lame intérieure, tel qu'illustré.
9. Insérer la rondelle de la lame dans l'alésage central de la lame.
10. Faire correspondre la flèche située sur la lame avec celle qui est située sur le protecteur inférieur. Glisser la lame dans le protecteur supérieur et sur la broche.
11. Installer la flasque de lame extérieure.
12. Appuyer sur le bouton de verrouillage de la broche et tourner la broche jusqu'à ce que le bouton de verrouillage s'enclenche. Insérer la vis de la lame et la serrer solidement en la tournant dans le sens antihoraire à l'aide de la clé.
13. Tourner le support du protecteur en position et serrer solidement les deux vis. Remettre la clé dans le rangement de la clé.
14. Abaisser la tête porte scie et vérifier le dégagement entre la lame et les plaques à entailler réglables. Important : le protecteur inférieur doit bouger librement. La lame doit également tourner librement (voir la section intitulée « plaques à entailler réglables »).

Réglage des plaques à entailler

Les plaques à entailler, en soutenant la rive de la pièce à travailler, permettent de réduire les déchirures et l'éclatement le long de la coupe. La largeur des lames variant, ajuster les plaques en conséquence à chaque changement.

Ne jamais procéder à la coupe d'une pièce sans avoir installé les plaques à entailler réglables. Celles-ci peuvent être réglées à leur largeur maximale afin de s'adapter à des lames de toute largeur ainsi qu'à tout angle de biseau s'il n'y a aucun risque de déchirure ou d'écaillage du matériau.

1. Débrancher l'outil.
2. Installer la lame qui doit être utilisée. Chaque fois que la lame est changée, s'assurer que les plaques à entailler sont réglées correctement.
3. Régler l'angle de biseau. Chaque fois que l'angle de biseau est modifié, s'assurer que les plaques à entailler sont réglées correctement.
4. Desserrer les six vis de réglage des plaques à entailler.
5. Abaisser la tête porte scie de manière à obtenir la profondeur de coupe maximale (abaisser complètement la tête).
6. Glisser les plaques à entailler de manière à obtenir l'espace désiré et serrer les six vis.
7. Avant de démarrer l'outil, s'assurer que la lame de la scie n'entre pas en contact avec les plaques à entailler.

MANIEMENT

AVERTISSEMENT Pour réduire le risque de blessure, porter des lunettes de sécurité munies d'écrans latéraux. Toujours attendre l'arrêt complet de la lame et débrancher l'outil avant de changer d'accessoire ou d'effectuer des réglages. Ne pas retirer les protecteurs.

Utilisation de panneaux de façade pour le guide (sous guides à dégagement nul)

On retrouve dans le guide des trous de montage qui permettent d'y fixer des panneaux de façade. Ces panneaux éloignent le guide de la pièce à travailler, ce qui permet de mieux soutenir certaines pièces à travailler. Ils permettent également de réduire l'éclatement de la pièce à travailler. Si la largeur

du guide augmente, on pourra couper une pièce légèrement plus haute (quant à elle, toutefois, la largeur maximale pouvant être coupée diminuera légèrement). De la même façon, si l'utilisateur place un panneau sur la plaque de la scie et la pièce à travailler sur le dessus de ce panneau, il est possible de couper une pièce plus large (mais moins haute).

Protecteurs

L'outil est expédié avec les protecteurs supérieur et inférieur installés. Le protecteur inférieur doit recouvrir la lame lorsque la tête porte scie est relevée et il doit bouger librement et s'ouvrir automatiquement au moment d'abaisser la tête porte scie dans la pièce à travailler. Si le protecteur inférieur semble desserré, s'il est bloqué ou s'il est impossible de le déplacer pour recouvrir la lame lorsque la tête porte scie est relevée, serrer les vis du support du protecteur. S'il ne bouge toujours pas librement, confier la scie à un centre de réparations agréé. Ne pas tenter d'ouvrir le protecteur au delà de ce que permet le mécanisme automatique.

Choix de la pièce à travailler

Éviter les pièces poisseuses, noueuses, mouillées ou gauchies. Ces matériaux ont tendance à créer des pincements. Les pièces qui s'arquent et qui pincient la lame peuvent entraîner un rebond. Examiner les pièces avant de les couper pour retirer les clous, le cas échéant. Toujours s'assurer que la lame est propre et tranchante, autrement elle produira une entaille étroite et aura tendance à être pincée par la pièce à travailler. Il n'est pas recommandé d'utiliser cet outil pour couper des métaux ferreux comme le fer et l'acier. Consulter la section « Applications » afin de prendre connaissance de la liste complète des matériaux pouvant être coupés par l'outil.

Soutien adéquat de la pièce à travailler

Toujours soutenir la pièce à travailler pendant l'opération, autrement elle peut se soulever et être entraînée vers l'arrière de la scie.

- Utilisation du guide : Aligner la pièce à travailler pour qu'elle soit d'aplomb avec le guide afin d'offrir un chemin de coupe droit à la lame de la scie. Cela permettra d'éviter que les dents de la lame ne se coincent. Le guide peut servir de support pour les coupes d'onglet, en biseau et composées.
- Utilisation d'un serre joint : Attacher la pièce à travailler sur le guide ou la base à l'aide d'une presse en C.

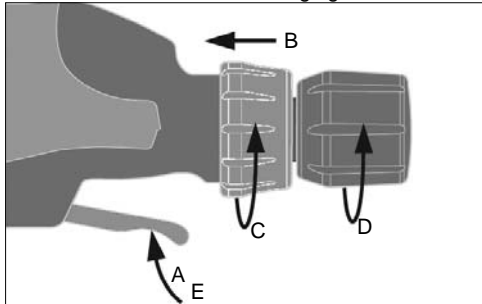
Soutien des pièces à travailler plus longues

Il importe de soutenir les pièces à travailler plus longues sur toute leur longueur. Si la scie est utilisée sur un établi, relever la pièce à travailler à une hauteur de 120,65 mm (4 3/4") à partir de la base de la scie. Plusieurs types de bancs de scie vendus sur le marché secondaire sont conçus spécialement pour les scies à onglets, ce qui permet de soutenir tous les types de pièces à travailler.

Réglage de l'angle d'onglet

Il est possible d'ajuster l'angle d'onglet à l'aide du mécanisme à crans afin d'obtenir des angles de coupe standards et précis. Utiliser l'aiguille d'angle d'onglet pour régler la plaque tournante à un degré donné de la plage d'angles d'onglet. L'indicateur numérique d'angle d'onglet affiche l'angle sélectionné.

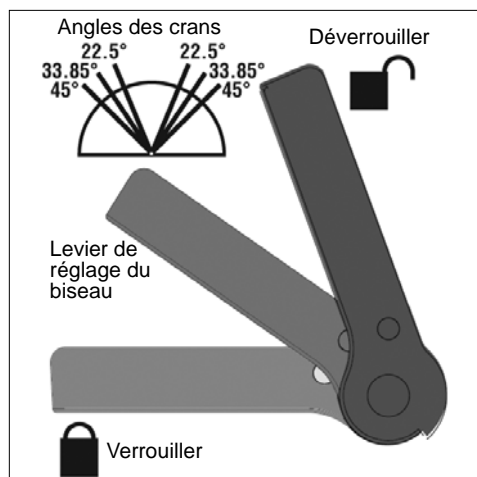
- Desserrer le bouton de verrouillage d'angle d'onglet.
- Pour régler l'angle d'onglet, soulever le levier du mécanisme à crans et faire pivoter la plaque tournante vers le cran le plus près de l'angle désiré. La scie permet de couper des angles qui se situent entre 55° vers la gauche et 60° vers la droite. Les crans sont situés à 0°, 15°, 22,5°, 32,62°, 45° et 60°.
- Serrer le bouton de verrouillage d'angle d'onglet sur le cran choisi avant d'entreprendre une coupe.
- Pour effectuer un réglage fin de l'angle d'onglet :
 - Soulever le levier du mécanisme à crans et le maintenir relevé.
 - Pousser le collier de réglage fin vers l'avant jusqu'à ce qu'il s'enclenche de manière à effectuer un dépassement.
 - Tourner le collier de réglage fin vers la gauche ou la droite jusqu'à ce que l'angle désiré s'affiche sur l'indicateur numérique d'angle d'onglet. ¼ tour = une modification de 1° de l'angle d'onglet.
 - Serrer le bouton de verrouillage d'angle d'onglet afin de bien fixer la table d'onglet avant de procéder à la coupe.
 - Soulever le levier du mécanisme à crans afin de relâcher le collier de réglage fin.



Réglage de l'angle de biseau

Il est possible d'ajuster l'angle de biseau à l'aide du mécanisme à crans afin d'obtenir des angles de coupe standards. Pour obtenir des angles de coupe différents, utiliser le rapporteur d'angle de biseau. Le mécanisme de biseau permet également plusieurs degrés de dépassement de la fin de course à gauche et à droite.

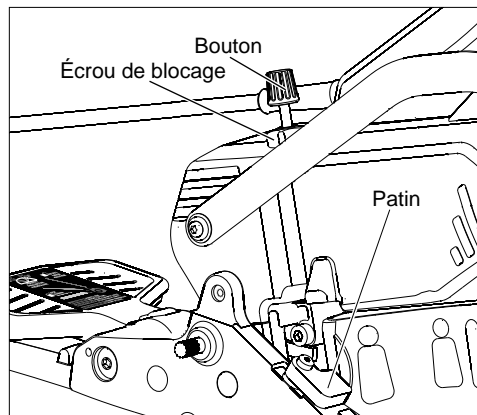
- Débrancher l'outil.
- Au moment de régler l'angle de biseau, placer une main sur la poignée avant pour conserver un meilleur contrôle.
- Avec l'autre main, soulever le levier de réglage du biseau :
 - Pour positionner l'outil sur un des crans, soulever le levier de réglage du biseau jusqu'à mi-hauteur (jusqu'à ce qu'il « s'enclenche ») afin de déplacer la tête porte scie vers la gauche ou la droite jusqu'au cran choisi.
 - Pour bouger librement la tête porte scie sur le rapporteur, soulever entièrement le levier de réglage du biseau.
- Tirer ou pousser la tête porte scie jusqu'à l'angle désiré à l'aide du rapporteur d'angle de biseau.
- Verrouiller l'angle de biseau en appuyant sur le levier de réglage du biseau avant de procéder à la coupe.



Réglage de la profondeur de coupe

Il est possible de régler la profondeur de coupe pour effectuer des rainures et des feuillures.

- Débrancher l'outil.
- Pour régler la profondeur de coupe, faire pivoter le patin de butée de profondeur vers le devant de la scie.
- Abaisser la tête porte scie à la profondeur de coupe désirée.
- Tourner le bouton de réglage de la butée de profondeur jusqu'à ce qu'il entre en contact avec le patin. Verrouiller la profondeur de coupe à l'aide de l'écrou de blocage.
- Brancher l'outil et faire une coupe d'essai afin de vérifier la profondeur de coupe.
- Pour enlever la limite à la profondeur de coupe, desserrer l'écrou de blocage en le tournant dans le sens antihoraire et faire pivoter le patin pour l'écarter du devant de la scie.



Réglage des guides

- Desserrer les boutons de verrouillage du guide.
 - Il est possible de glisser le guide de gauche d'un côté à l'autre jusqu'à la position désirée afin de permettre des coupes en biseau ou des coupes composées vers la gauche.
 - Toujours placer le guide correctement afin de bien soutenir la pièce à travailler.
 - Serrer les boutons de verrouillage du guide avant de procéder à la coupe.
- NOTE** : Si une des parties du guide bouge le moins possible vers l'avant ou l'arrière, serrer la vis de pression, située derrière la fente d'insertion de chaque guide.

Lampes d'éclairage

Utiliser l'interrupteur ON/OFF pour allumer les lampes d'éclairage de la plaque tournante avant d'effectuer une coupe. Éteindre les lampes une fois l'opération terminée.

AVERTISSEMENT Pour réduire les risques de blessures, ne pas se fier entièrement sur le frein en tant que dispositif de sécurité. Toujours attendre l'arrêt complet de la lame avant d'approcher tout objet de celle-ci.

Pour réduire les risques de blessures, s'assurer que tous les réglages sont bien verrouillés avant de procéder à la coupe d'une pièce à travailler.

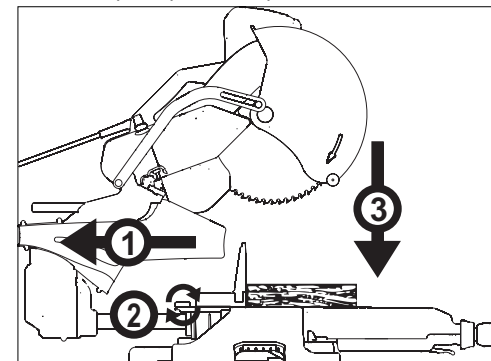
Démarrage et arrêt de l'outil

Toujours tenir fermement la poignée à gâchette. Le démarrage ou l'arrêt du moteur peut déplacer légèrement la poignée vers le haut ou le bas. Toujours bien fixer la plaque tournante en serrant le bouton de verrouillage d'angle d'onglet.

- Pour démarrer le moteur, appuyer sur la gâchette.
- Pour arrêter le moteur, relâcher la gâchette.

Coupe tronçonnante

Il est possible de verrouiller le mécanisme de glissement afin d'utiliser la scie pour des coupes tronçonnantes (le mécanisme de glissement n'est pas nécessaire). Couper les pièces à travailler de cette manière à chaque fois qu'il est possible de le faire. Une coupe tronçonnante demeure toujours plus facile et rapide qu'une coupe coulissante.

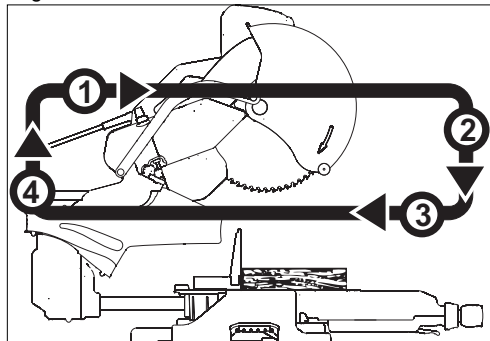


- Glisser la tête porte scie vers l'arrière (1).
- Serrer le dispositif de verrouillage des barres coulissantes (2).
- Brancher l'outil. Soulever complètement la tête porte scie.

- Déterminer l'angle de coupe désiré en suivant les étapes décrites aux sections intitulées « Réglage de l'angle d'onglet » et « Réglage de l'angle de biseau ».
- Disposer la pièce à travailler sur la plaque tournante et l'aligner pour la coupe.
- Soutenir la pièce à travailler à l'aide de l'une des méthodes décrites à la section « Soutien adéquat de la pièce à travailler ».
- Démarrer le moteur. Attendre quelques secondes afin de permettre à la lame d'atteindre sa vitesse maximale. Abaisser doucement la tête porte scie dans la pièce à travailler sur toute son épaisseur (3).
- Toujours donner le temps nécessaire à la scie pour effectuer l'opération. Le fait de forcer l'outil peut faire caler ou surchauffer le moteur.
- Une fois la coupe terminée, relâcher la gâchette et attendre que la lame soit complètement arrêtée. Soulever doucement la tête porte scie et retirer la pièce à travailler. Toujours débrancher l'outil avant de retirer les pièces de bois libérées qui auraient pu se loger à l'intérieur du protecteur.

Coupe coulissante

Il est possible de couper des pièces à travailler plus larges en utilisant le mécanisme de coulisse.



- S'assurer que le dispositif de verrouillage des barres coulissantes est desserré et que la tête porte scie bouge librement vers l'arrière et l'avant.
- Déterminer l'angle de coupe désiré en suivant les étapes décrites aux sections intitulées « Réglage de l'angle d'onglet » et « Réglage de l'angle de biseau ».
- Disposer la pièce à travailler sur la plaque tournante et l'aligner pour la coupe.
- Soulever la tête porte scie et coulisser la scie vers l'avant, au dessus de la pièce à travailler, SANS procéder à la coupe (1).
- Démarrer le moteur. Attendre quelques secondes afin de permettre à la lame d'atteindre sa vitesse maximale.
- Abaisser la tête porte scie (2).
- Pousser la scie vers l'arrière, à travers la pièce à couper (3).
- Une fois la coupe terminée, relâcher la gâchette et attendre que la lame soit complètement arrêtée. Soulever doucement la tête porte scie (4) et retirer la pièce à travailler. Toujours débrancher l'outil avant de retirer les pièces de bois libérées qui auraient pu se loger à l'intérieur du protecteur.

APPLICATIONS

AVERTISSEMENT Ne pas utiliser la scie pour couper la pierre, la brique, le béton ou les métaux ferreux (le fer, l'acier, l'acier inoxydable ou un alliage de ces métaux). Ne pas utiliser de meules abrasives avec cette scie.

La sciure produite lors de la coupe de ces matériaux ou de l'utilisation de meules à tronçonner abrasives peut entraîner le coincement du protecteur de la lame, en plus d'entraîner des blessures.

Matériaux recommandés et applications

Il est possible de couper les matériaux suivants à l'aide d'une scie à onglets combinée coulissante. Il existe plusieurs types de lames. Toujours utiliser la lame qui convient à l'application ou au matériau donné.

• **Bois** – bois massif, contreplaqué, aggloméré de bois, MDF (panneau de fibres à densité moyenne), panneau de fibres à haute densité, panneau de particules lamellé de mélamine, stratifié Formica, panneau dur (Masonite).

• **Plastique** – poly(chlorure de vinyle) (PVC), poly(chlorure de vinyle) chloré (PVC-C), polystyrène butadiène acrylonitrile (ABS), matériaux à surface dure (p. ex. Corian®), ainsi que d'autres matières plastiques. Lorsque le découpage plastique, éviter la sur-chauffe de la lame et les dents de la lame pour éviter la fonte de la pièce.

• **Métaux non ferreux** – aluminium, laiton, cuivre et autres matériaux non ferreux.

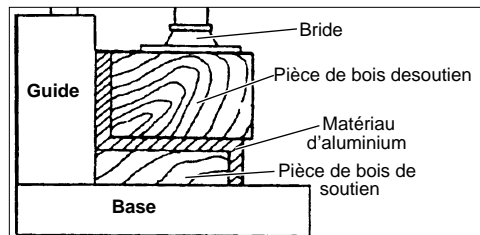
Coupe de matériaux non carrés Coupe de matériaux arrondis (cylindriques)

Il est possible d'utiliser des pièces de bois en « V » pour soutenir les matériaux arrondis comme une tringle à cintres ou un tuyau en plastique.

Châssis en aluminium et autres types de profilés en U

Pour éviter de déformer un châssis en aluminium pendant la coupe, le soutenir avec des pièces de bois.

Plage d'onglets	Crans pour angles d'onglet à :
0° à 55° vers la gauche	0°, 15°, 22,5°, 31,62°, 45° vers la gauche
0° à 60° vers la droite	0°, 15°, 22,5°, 31,62°, 45° vers la droite
Plage de biseaux	Crans pour angles de biseau à :
0° à 45° vers la gauche	0°, 22,5°, 33,85°, 45°, 48° vers la gauche
0° to 48° vers la droite	0°, 22,5°, 33,85°, 45°, 48° vers la droite
Capacité de coupe pour une moulure de base	Capacité de coupe pour une corniche encastrée
152,4 mm (6") pour 0° 152,4 mm (6") pour 45° vers la gauche et la droite	168,27 mm (6 5/8")



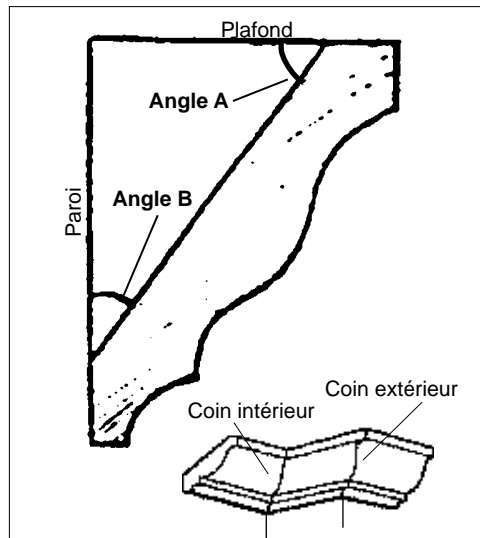
Deux méthodes pour couper une corniche

Lorsqu'on les additionne, les angles formés par les parties de la corniche qui s'appuient complètement sur le plafond et la paroi avec ces surfaces donnent 90° (A + B = 90°). En général, les angles formés par la corniche sont les suivants :

52° et 38° : Un angle de 52° avec le plafond (A) et un angle de 38° avec la paroi (B). La scie à onglets comprend des crans pour des angles d'onglet à 31,6° vers la gauche et la droite ainsi qu'un cran pour un angle de biseau de 33,9° qui peuvent être utilisés pour couper une corniche de type 52° et 38°, à plat sur la table. Ces réglages sont signalés par des marques en forme de diamant.

45° et 45° : Un angle de 45° avec le plafond (A) et un angle de 45° avec la paroi (B). La scie à onglets comprend des crans pour des angles d'onglet de 35,3° vers la gauche et la droite ainsi qu'un cran pour un angle de biseau de 30° qui peuvent être utilisés pour couper une corniche de type 45° et 45°, à plat sur la table. Ces réglages sont signalés par un cercle noir.

NOTE : Bien que tous ces angles constituent des mesures standards, les pièces sont rarement construites de manière à ce que les coins fassent exactement 90°. Il peut être nécessaire de peaufiner ces réglages et d'ajuster les angles de coupe en conséquence.



Coupe de la corniche à plat sur la table de la scie à onglets

Il est avantageux de procéder à la coupe de la corniche à plat sur la table, car il est plus facile ainsi de fixer la moulure à la position de coupe appropriée. De plus, il est possible de couper des parties plus larges de corniche si elle est à plat sur la table de la scie à onglets.

- Ajuster les angles de biseau et d'onglet en consultant le tableau intitulé « Angles d'onglet de la corniche ». Serrer le bouton de verrouillage de l'angle d'onglet et le bouton de verrouillage de l'angle de biseau.
 - À l'aide de la section « Positionnement » ci-dessous, placer correctement la moulure.
- NOTE**: Toujours faire des coupes d'essai avec des chutes de bois pour s'assurer que les angles sont adéquats.
- Procéder à la coupe conformément à la section intitulée « Coupe tronçonnante ».

Coupe de la corniche arc boutée sur le guide (encastrée – en position)

Toujours utiliser un guide pour corniche pour procéder à la coupe de la corniche arc boutée sur le guide. Ce type de coupe ne requiert pas de réglage d'angle de biseau. Il est possible de modifier légèrement l'angle d'onglet sans modifier l'angle de biseau. Avec cette méthode, il est possible de régler rapidement et facilement la scie pour les coins qui ne font pas 90° (carrés).

Positionnement

Corniche standard (É. U.) avec angles de 52° et de 38° (régler l'angle de biseau à 33,85°)

Coin intérieur, côté gauche

- Bord supérieur de la moulure contre le guide
- Angle d'onglet réglé à droite sur 31,62°
- Conserver la section gauche de la pièce coupée

Coin intérieur, côté droit

- Bord inférieur de la moulure contre le guide
- Angle d'onglet réglé à gauche sur 31,62°
- Conserver la section gauche de la pièce coupée

Coin extérieur, côté gauche

- Bord inférieur de la moulure contre le guide
- Angle d'onglet réglé à gauche sur 31,62°
- Conserver la section droite de la pièce coupée

Coin extérieur, côté droit

- Bord supérieur de la moulure contre le guide
- Angle d'onglet réglé à droite sur 31,62°
- Conserver la section droite de la pièce coupée

Corniche standard (É.-U.) avec angles de 45° (régler l'angle de biseau à 0°)

Coin intérieur, côté gauche

- Bord supérieur de la moulure contre le guide
- Angle d'onglet réglé à droite sur 45°
- Conserver la section gauche de la pièce coupée

Coin intérieur, côté droit

- Bord inférieur de la moulure contre le guide
- Angle d'onglet réglé à gauche sur 45°
- Conserver la section gauche de la pièce coupée

Coin extérieur, côté gauche

- Bord inférieur de la moulure contre le guide
- Angle d'onglet réglé à gauche sur 45°
- Conserver la section droite de la pièce coupée

Côté droit, coin extérieur

- Bord supérieur de la moulure contre le guide
- Angle d'onglet réglé à droite sur 45°
- Conserver la section droite de la pièce coupée

ENTRETIEN

AVERTISSEMENT Pour minimiser les risques de blessures, débranchez toujours l'outil avant d'y effectuer des travaux de maintenance. Ne faites pas vous-même le démontage de l'outil. Consultez un centre de service MILWAUKEE accrédité pour toutes les réparations.

Entretien de l'outil

Gardez l'outil en bon état en adoptant un programme d'entretien ponctuel. Inspectez votre outil pour des questions telles que le bruit excessif, de grippage des pièces mobiles, de pièces cassées ou toute autre condition qui peut affecter le fonctionnement de l'outil. Retournez votre outil à un centre de service MILWAUKEE accrédité pour obtenir le service. Après une période pouvant aller de 6 mois à un an, selon l'usage, retournez votre outil à un centre de service MILWAUKEE accrédité pour d'inspection.

AVERTISSEMENT Pour minimiser les risques de blessures, choc électrique et dommage à l'outil, n'immergez jamais l'outil et ne laissez pas de liquide s'y infiltrer.

Nettoyage

Débarrassez les événements des débris et de la poussière. Gardez les poignées propres, à sec et exempts d'huile ou de graisse. Le nettoyage doit se faire avec un linge humide et un savon doux. Certains nettoyants tels l'essence, la térébenthine, les diluants à laque ou à peinture, les solvants chlorés, l'ammoniaque et les détergents d'usage domestique qui en contiennent pourraient détériorer le plastique et l'isolation des pièces. Ne laissez jamais de solvants inflammables ou combustibles auprès des outils.

Réparations

Si votre outil est endommagé, retourne l'outil entier au centre de maintenance le plus proche.

ACCESOIRES

AVERTISSEMENT L'usage d'accessoires autres que ceux qui sont spécifiquement recommandés pour cet outil peut comporter des risques.

Pour une liste complète des accessoires, visiter le site internet www.milwaukeetool.com ou contactez un distributeur.

SERVICE - CANADA

Milwaukee Tool (Canada) Ltd
1.800.268.4015
Monday-Friday, 7:00 AM - 4:30 PM CST
www.milwaukeetool.ca

GARANTIE LIMITÉE - AUX ÉTATS-UNIS ET AU CANADA

Chaque outil électrique MILWAUKEE (y compris les produits sans fil [outils, piles, chargeur de piles, lampe de travail]; consulter les énoncés de la GARANTIE LIMITÉE DES BLOCS-PILLES SANS FIL) est garanti à l'acheteur d'origine être exempt de vice de matériel et de fabrication. Sous réserve de certaines exceptions, MILWAUKEE réparera ou remplacera toute pièce d'un outil électrique qui, après examen par MILWAUKEE, s'est avérée être affectée d'un vice de matériel ou de fabrication pendant une période de cinq (5) ans* après la date d'achat, sauf indication contraire. Retourner l'outil électrique, à un centre de réparations en usine MILWAUKEE ou à un poste d'entretien agréé MILWAUKEE, en port prépayé et assuré. Une copie de la preuve d'achat doit être présentée au moment de retourner le produit. Cette garantie ne couvre pas les dommages que MILWAUKEE détermine être causés par des réparations ou des tentatives de réparation par quiconque autre que le personnel agréé par MILWAUKEE, des utilisations incorrectes, des altérations, des utilisations abusives, une usure normale, une carence d'entretien ou des accidents.

*La période de garantie applicable pour les radios de chantier, le port d'alimentation M12™, Source d'énergie M18™, Ventilateur de chantier et les chariots de travail industriels Trade Titan™ est d'une durée d'un (1) an à partir de la date d'achat. La période de la garantie couvrant la lampe de travail à DEL et l'ampoule améliorée à DEL est une garantie à VIE limitée à l'acheteur d'origine seulement; si, lors d'une utilisation normale, l'ampoule à DEL présente une défectuosité, la lampe de travail et l'ampoule seront remplacées sans frais. *Cette garantie ne s'applique pas aux clouuses-agrafeuses pneumatiques, aux pulvérisateurs à peinture sans air, aux blocs piles pour outils sans fil, aux génératrices d'alimentation portatives à essence, aux outils à main, aux monte-charge – électrique, à levier et à chaîne (manuel), aux vestes chauffantes M12™, aux produits résinés, ni aux produits d'essai et de mesure. Il existe des garanties distinctes pour ces produits.

L'enregistrement de la garantie n'est pas nécessaire pour bénéficier de la garantie en vigueur sur un outil électrique MILWAUKEE. La date de fabrication du produit servira à établir la période de garantie si aucune preuve d'achat n'est fournie lors d'une demande de service sous garantie est présentée.

L'ACCEPTATION DES RECOURS EXCLUSIFS DE RÉPARATION ET DE REMPLACEMENT DÉCRITS AUX PRÉSENTES EST UNE CONDITION DU CONTRAT D'ACHAT DE TOUT PRODUIT MILWAUKEE. SI VOUS N'ACCEPTÉZ PAS CETTE CONDITION, VOUS NE DEVEZ PAS ACHETER LE PRODUIT. EN AUCUN CAS MILWAUKEE NE SAURAIT ÊTRE RESPONSABLE DE TOUT DOMMAGE ACCESSOIRE, SPÉCIAL OU INDIRECT, DE DOMMAGES-INTÉRÊTS PUNITIFS OU DE TOUTE DÉPENSE, D'HONORAIRES D'AVOCATS, DE FRAIS, DE PERTE OU DE DÉLAIS ACCESSOIRES À TOUT DOMMAGE, DÉFAILLANCE OU DÉFAUT DE TOUT PRODUIT, Y COMPRIS NOTAMMENT LES PERTES DE PROFIT. CERTAINS ÉTATS ET PROVINCES NE PERMETTANT PAS L'EXCLUSION OU LA LIMITATION DES DOMMAGES DIRECTS OU INDIRECTS, LES RESTRICTIONS CI-DESSUS PEUVENT NE PAS ÊTRE APPLICABLES. CETTE GARANTIE EST EXCLUSIVE ET REMPLACE TOUTE AUTRE GARANTIE EXPRESSE, QU'ELLE SOIT ORALE OU ÉCRITE. DANS LA MESURE PERMISE PAR LA LOI, MILWAUKEE RENONCE À TOUTE GARANTIE IMPLICITE, Y COMPRIS, SANS S'Y LIMITER, TOUTE GARANTIE IMPLICITE DE QUALITÉ MARCHANDE OU D'ADAPTATION À UNE UTILISATION OU À UNE FIN PARTICULIÈRE. DANS LA MESURE OU UNE TELLE STIPULATION D'EXONÉRATION N'EST PAS PERMISE PAR LA LOI, LA DURÉE DE CES GARANTIES IMPLICITES EST LIMITÉE À LA PÉRIODE APPLICABLE DE LA GARANTIE EXPRESSE, TEL QUE DÉCRIT PRÉCÉDEMMENT. CERTAINS ÉTATS ET PROVINCES NE PERMETTANT PAS DE LIMITATION DE DURÉE DES GARANTIES IMPLICITES, LES RESTRICTIONS CIDESSUS PEUVENT NE PAS ÊTRE APPLICABLES. LA PRÉSENTE CONFÈRE À L'UTILISATEUR DES DROITS LÉGAUX PARTICULIERS; IL BÉNÉFICIE ÉGALEMENT D'AUTRES DROITS QUI VARIENT D'UN ÉTAT À L'AUTRE. Cette garantie s'applique aux produits vendus aux États-Unis et au Canada uniquement.

Veuillez consulter la rubrique Centre SAV MILWAUKEE, dans la section Pièces & Service du site Web de MILWAUKEE, à l'adresse www.milwaukeetool.com, ou composer le 1-800-SAWDUST (1-800-729-3878) afin de trouver le centre de réparations en usine MILWAUKEE le plus près.

GARANTIE LIMITÉE – MEXIQUE, AMÉRIQUE CENTRALE ET CARAÏBES

TECHTRONIC INDUSTRIES' garantit le produit pendant cinq ans à partir de la date d'achat d'origine. Le présent bon de garantie couvre tous les vices de matériel et de fabrication que peut afficher cet outil électrique. Pour assurer la validité de la présente garantie, veuillez présenter le bon de commande, estampillé du sceau du distributeur ou du magasin où le produit a été acheté, au centre de réparations agréé. Si le bon de commande n'a pas été estampillé, veuillez fournir la preuve d'achat d'origine au centre de réparations agréé. Pour un entretien, des pièces, des accessoires ou d'autres composants, composer sans frais le 1-800-832-1949 afin d'obtenir les coordonnées du centre de réparations agréé le plus près. Procédure pour assurer la validité de la garantie

Présenter le produit au centre de réparations agréé, accompagné du bon de commande estampillé du sceau du distributeur ou du magasin où le produit a été acheté. Toute pièce défectueuse ou tout composant défectueux sera remplacé sans frais. Milwaukee assume tous les frais de transport liés à ce processus de garantie.

Exceptions

La garantie ne s'applique pas dans les situations suivantes :
a) Si le produit a été utilisé pour une fin autre que celle indiquée dans le guide de l'utilisateur final ou le manuel d'instructions.
b) Si les conditions d'utilisations ne sont pas habituelles.
c) Si le produit a été modifié ou réparé par une personne non autorisée par TECHTRONIC INDUSTRIES.

Note : Si le cordon électrique est endommagé, il doit être remplacé par un centre de réparations agréé pour éviter les risques d'électrocution. CENTRE DE RÉPARATIONS ET DE SERVICE:
Av Presidente Mazarik 29 Piso 7, 11570 Chapultepec Morales Miguel Hidalgo, Distrito Federal, Mexico

Ph. 52 55 4160-3547
IMPORTÉ ET COMMERCIALISÉ PAR :
TECHTRONIC INDUSTRIES MEXICO, S.A. DE C.V.
Av Presidente Mazarik 29 Piso 7, 11570 Chapultepec Morales Miguel Hidalgo, Distrito Federal, Mexico

Modèle : _____
Date d'achat : _____
Sceau du distributeur ou du magasin : _____

ADVERTENCIAS DE SEGURIDAD GENERALES PARA LA HERRAMIENTA ELÉCTRICA

ADVERTENCIA Lea todas las advertencias de seguridad, instrucciones, ilustraciones y especificaciones con esta herramienta eléctrica. Si no sigue todas las advertencias e instrucciones, se pueden provocar una descarga eléctrica, un incendio o lesiones graves. **Guarde todas las advertencias e instrucciones para consultarlas en el futuro.** El término "herramienta eléctrica" en todas las advertencias incluidas más abajo se refiere a su herramienta operada por conexión (cable) a la red eléctrica o por medio de una batería (inalámbrica).

SEGURIDAD EN EL ÁREA DE TRABAJO

- **Mantenga el área de trabajo limpia y bien iluminada.** Las áreas desordenadas u oscuras son propicias para los accidentes.
- **No utilice herramientas eléctricas en atmósferas explosivas, tales como en presencia de líquidos, gases o polvos inflamables.** Las herramientas eléctricas generan chispas que pueden encender el polvo o los vapores.
- **Mantenga a los niños y a los espectadores alejados mientras utiliza una herramienta eléctrica.** Las distracciones pueden ocasionar la pérdida de control.

SEGURIDAD ELÉCTRICA

- **Los enchufes de la herramienta eléctrica deben coincidir con el tomacorriente.** Nunca modifique el enchufe de ninguna manera. No utilice adaptadores de enchufe con herramientas eléctricas aterrizadas. Los enchufes y tomacorrientes correspondientes sin modificar reducirán el riesgo de descarga eléctrica.
- **Evite el contacto corporal con superficies aterrizadas, tales como tuberías, radiadores, estufas y refrigeradores.** Existe un riesgo mayor de descarga eléctrica si su cuerpo está aterrizado.
- **No exponga las herramientas eléctricas a la lluvia ni a condiciones húmedas.** Si se introduce agua en una herramienta eléctrica, aumentará el riesgo de descarga eléctrica.
- **No maltrate el cable.** Nunca utilice el cable para cargar, jalar o desconectar la herramienta eléctrica. Mantenga el cable alejado del calor, el aceite, los bordes afilados o las partes en movimiento. Los cables dañados o enredados aumentan el riesgo de descarga eléctrica.
- **Al utilizar una herramienta eléctrica en exteriores, utilice una extensión adecuada para uso en exteriores.** El uso de una extensión adecuada para el uso en exteriores disminuye el riesgo de descarga eléctrica.
- **Si es inevitable utilizar una herramienta eléctrica en un lugar húmedo, utilice un alimentador de**

corriente protegido con un interruptor de circuito por falla de conexión a tierra (GFCI). El uso de un GFCI reduce el riesgo de descarga eléctrica.

SEGURIDAD PERSONAL

- **Manténgase alerta, atento a lo que está haciendo y utilice el sentido común al utilizar una herramienta eléctrica.** No utilice una herramienta eléctrica mientras está cansado o bajo la influencia de drogas, alcohol o medicamentos. Un momento de distracción al utilizar herramientas eléctricas puede ocasionar lesiones personales graves.
- **Utilice equipo de protección personal. Siempre use protección para los ojos.** El equipo de protección, tal como una máscara contra polvo, calzado antideslizante, casco o protección auditiva, utilizado para condiciones adecuadas disminuirá las lesiones personales.
- **Evite el arranque accidental. Asegúrese de que el interruptor esté en la posición de apagado antes de conectarlo a una fuente de poder y/o batería, levantar o trasladar la herramienta.** Trasladar herramientas con el dedo en el interruptor o energizar herramientas eléctricas que tienen el interruptor encendido propicia accidentes.
- **Retire cualquier llave de ajuste antes de entender la herramienta.** Una llave que se deje insertada en una parte giratoria de la herramienta eléctrica puede ocasionar lesiones personales.
- **No estire el cuerpo demasiado. Mantenga un buen contacto entre los pies y el suelo y mantenga el equilibrio en todo momento.** Esto permite un mejor control de la herramienta eléctrica en situaciones inesperadas.
- **Vístase adecuadamente. No utilice ropa o joyería holgada.** Mantenga el cabello y la ropa alejados de las partes móviles. La ropa holgada, las alhajas o el cabello largo pueden quedarse atrapados en las partes móviles.
- **Si se proporcionan dispositivos para la conexión de instalaciones de extracción y recolección de polvo, cerciórese de que estén conectados y se utilicen correctamente.** El uso de dispositivos recolectores de polvo puede disminuir los riesgos relacionados con el polvo.
- **No permita que la familiaridad por el uso frecuente de las herramientas lo hagan sentirse seguro e ignorar los principios de seguridad de las herramientas.** Un descuido puede provocar lesiones graves en una fracción de segundo.

USO Y CUIDADO DE LAS HERRAMIENTAS ELÉCTRICAS

- **No fuerce la herramienta eléctrica.** Utilice la herramienta eléctrica correcta para su aplicación. La herramienta eléctrica correcta realizará el trabajo mejor y con mayor seguridad a la velocidad para la que fue diseñada.
- **No utilice la herramienta eléctrica si el interruptor no la enciende y la apaga.** Cualquier herramienta eléctrica que no pueda controlarse con el interruptor es peligrosa y debe repararse.
- **Desconecte el enchufe de la fuente de energía y/o quite la batería de la herramienta eléctrica, si es posible, antes de realizar cualquier ajuste, cambiar accesorios o almacenar las herramientas eléctricas.** Tales medidas preventivas de seguridad disminuyen el riesgo de que la herramienta eléctrica se encienda accidentalmente.
- **Almacene las herramientas eléctricas que no se estén utilizando fuera del alcance de los niños y no**

permita que personas que no estén familiarizadas con la herramienta eléctrica o con estas instrucciones la utilicen. Las herramientas eléctricas son peligrosas en manos de usuarios sin capacitación.

- **Dé mantenimiento a las herramientas eléctricas y accesorios.** Verifique que no haya desalineación, amarre de partes móviles, partes rotas o alguna otra condición que pueda afectar el funcionamiento de la herramienta eléctrica. Si se daña, asegúrese de que la herramienta eléctrica sea reparada antes de que se utilice. Muchos accidentes son ocasionados por herramientas eléctricas con mantenimiento deficiente.
- **Mantenga las herramientas de corte afiladas y limpias.** Las herramientas de corte correctamente mantenidas con bordes de corte afilados son menos propensas a atorarse y son más fáciles de controlar.
- **Utilice la herramienta eléctrica, los accesorios y las puntas, etc. de acuerdo con estas instrucciones, tomando en cuenta las condiciones de trabajo y el trabajo a realizar.** El uso de la herramienta eléctrica para operaciones diferentes a las previstas podría generar una situación peligrosa.
- **Mantenga las empuñaduras y ñas superficies de sujeción secas, limpias y libres de aceite y grasa.** Las empuñaduras y superficies de sujeción resbalosas no permiten el manejo y control seguros de la herramienta en situaciones inesperadas.

MANTENIMIENTO

- **Lleve su herramienta eléctrica a servicio con un técnico calificado que use únicamente piezas de reemplazo idénticas.** Esto asegurará que la seguridad de la herramienta eléctrica se mantenga.

REGLAS ESPECIFICAS DE SEGURIDAD PARA SIERRAS DE INGLETE

- **Las sierras de inglete están diseñadas para cortar madera o productos parecidos a la madera, no pueden usarse con discos de corte abrasivo para cortar material ferroso como barras, varillas, montantes, etc.** El polvo abrasivo ocasiona que las piezas móviles como la guarda inferior se atasquen. Las chispas del corte abrasivo quemarán la guarda inferior, el inserto de separación de corte y otras piezas de plástico.
- **Use las prensas para apoyar la pieza de trabajo siempre que sea posible.** Si apoya la pieza de trabajo manualmente, siempre debe mantener la mano al menos a 100 mm de cada lado de la hoja de la sierra. No use esta sierra para cortar piezas que sean demasiado pequeñas para sujetarse firmemente con prensas o con la mano. Si pone la mano demasiado cerca de la hoja de la sierra, existe un mayor riesgo de lesión por contacto con la hoja.
- **La pieza de trabajo debe estar fija y sujeta con prensa o sujeta contra el tope guía y la mesa. No alimente la pieza de trabajo contra la hoja ni corte "a mano libre" de ninguna manera.** Las piezas de trabajo sin sujeción o móviles podrían salir lanzadas a altas velocidades, ocasionando lesiones.
- **Empuje la sierra contra la pieza de trabajo. No jale la sierra contra la pieza de trabajo. Para hacer un corte, levante el cabezal de la sierra y jálelo sobre la pieza de trabajo sin cortar, arranque el motor, presione el cabezal de la sierra hacia abajo y empuje la sierra contra la pieza de trabajo.** Hacer un corte en el recorrido de jalón probablemente ocasionará que la hoja de la sierra se suba a la pieza de trabajo y lance violentamente el ensamble de la hoja hacia el operador.
- **Nunca cruce su mano sobre la línea pretendida de corte, ni al frente ni atrás de la hoja de la sierra.**

Apoyar la pieza de trabajo con las "manos cruzadas", es decir, sosteniendo la pieza de trabajo a la derecha de la hoja de la sierra con la mano izquierda o viceversa es muy peligroso.

- **No estire y ponga ninguna de las manos detrás del tope guía a menos de 100 mm de cualquiera de los lados de la hoja de la sierra para retirar virutas de madera o por cualquier otro motivo mientras la hoja esté girando.** La proximidad de la hoja de sierra giratoria a su mano puede no ser obvia y puede causarle lesiones graves.
- **Inspeccione su pieza de trabajo antes de cortar. Si la pieza de trabajo está pandeada o deformada, sujétela con la cara pandeada exterior hacia el tope guía. Siempre asegúrese de que no haya espacio entre la pieza de trabajo, el tope guía y la mesa a lo largo de la línea de corte.** Las piezas de trabajo dobladas o deformadas pueden girar o moverse y ocasionar atascos en la hoja giratoria de la sierra durante el corte. No debe haber clavos ni objetos extraños en la pieza de trabajo.
- **No utilice la sierra hasta que la mesa esté libre de todas las herramientas, pedazos de madera, etc., excepto por la pieza de trabajo.** Los desechos pequeños o los pedazos sueltos de madera u otros objetos que entran en contacto con la hoja revolvente pueden salir disparados a alta velocidad.
- **Corte únicamente una pieza de trabajo a la vez.** Múltiples piezas de trabajo apiladas no se pueden sujetar adecuadamente con una prensa o un soporte y pueden atascarse en la hoja o moverse durante el corte.
- **Asegúrese de que la sierra de inglete esté montada o colocada sobre una superficie de trabajo nivelada y firme antes de usarse.** Una superficie de trabajo nivelada y firme reduce el riesgo de que la sierra de inglete se vuelva inestable.
- **Planee su trabajo. Cada vez que cambie el bisel o el ajuste del ángulo de inglete, asegúrese de que el tope guía ajustable esté correctamente ajustado para apoyar la pieza de trabajo y no interferir con la hoja o el sistema de guarda.** Sin encender la herramienta y sin pieza de trabajo en la mesa, mueva la hoja de la sierra a través de un corte simulado completo para asegurar que no haya interferencia o peligro de cortar el tope guía.
- **Proporcione soporte adecuado como extensiones de mesa, caballetes, etc. para una pieza de trabajo que es más ancha o más larga que la cubierta de la mesa.** Las piezas de trabajo más largas o más anchas que la mesa de la sierra de inglete pueden volcarse si no están apoyadas firmemente. Si la pieza cortada o la pieza de trabajo se vuelca, puede levantar la guarda inferior o ser lanzada por la hoja giratoria.
- **No utilice a otra persona como sustituto para una extensión de mesa o un apoyo adicional.** El soporte inestable de la pieza de trabajo puede ocasionar que la hoja se atasque o que la pieza de trabajo se mueva durante la operación de corte, jalándolo a usted y al ayudante hacia la hoja giratoria.
- **La pieza cortada no debe atascarse ni presionarse de ninguna manera contra la hoja giratoria de la sierra.** Si se confina, es decir, si se usan topes de longitud, la pieza cortada podría quedar acuñada contra la hoja y ser lanzada violentamente.
- **Siempre use una prensa o un dispositivo diseñado para sujetar adecuadamente material redondo, como varillas o tubos.** Las varillas tienen una tendencia a rodar mientras se están cortando, ocasionando que la hoja "muerda" y jale el trabajo con su mano hacia la hoja.

• **Deje que la hoja alcance la velocidad total antes de entrar en contacto con la pieza de trabajo.** Esto reducirá el riesgo de que la pieza de trabajo sea lanzada.

- **Si la pieza de trabajo o la hoja se atasca, apague la sierra de inglete. Espere a que todas las piezas móviles se detengan y desconecte el enchufe de la fuente de alimentación y/o extraiga la batería. Luego libere el material atascado.** Seguir aserrando con una pieza de trabajo atascada podría ocasionar pérdida del control o daño a la sierra de inglete.
- **Después de terminar el corte, suelte el interruptor, sostenga el cabezal de la sierra hacia abajo y espere a que la hoja se detenga antes de retirar la pieza cortada.** Es peligroso poner la mano cerca de la hoja en movimiento.
- **Sostenga la empuñadura firmemente al hacer un corte incompleto o al soltar el interruptor antes de que el cabezal de la sierra baje por completo.** La acción de frenado de la sierra puede ocasionar que el cabezal de la sierra repentinamente sea jalado hacia abajo, provocando un riesgo de lesiones.
- **Conserve las etiquetas y las placas nominales.** Contienen información importante. Si son ilegibles o no están presentes, comuníquese con un centro de servicio MILWAUKEE para obtener un reemplazo gratuito.




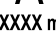



• **ADVERTENCIA** Algunos polvos generados por el lijado eléctrico, aserrado, pulido, taladrado y otras actividades de construcción contienen químicos identificados como causantes de cáncer, defectos congénitos u otros daños reproductivos. Algunos ejemplos de estos químicos son:

- plomo de pintura basada en plomo
- dióxido de silicio de los ladrillos y el cemento y otros productos de albañilería y
- arsénico y cromo de madera con tratamiento químico. Su riesgo por estas exposiciones varía, dependiendo de la frecuencia con que realice este tipo de trabajo. Para reducir su exposición a estos químicos: trabaje en un área bien ventilada y trabaje con equipo de seguridad aprobado, como mascarillas protectoras contra polvo especialmente diseñadas para filtrar partículas microscópicas.

ESPECIFICACIONES

Cat. No.	6955-20
Volts.....	120 CA
Amperios	15
RPM.....	3 200
Tamaño del eje	5/8"
Tamaño de la hoja	305 mm (12")
Espesor de la hoja	3,1 mm (1/8")
Peso	65 lbs.

SIMBOLOGÍA

-  Doble aislamiento
-  Volts
-  Corriente alterna
-  Amperios
-  n, XXXX min⁻¹ Revoluciones por minuto sin carga (RPM)
-  UL Listing Mark para Canadá y Estados Unidos
-  Siempre mantenga las manos fuera de la línea de corte del disco

CAPACITIES

Cortes en inglete

Altura máxima a 90°.....	166,4 mm (6,5")	Al. a 53,3 mm (2,10") An.
Altura máxima a 45°.....	166,4 mm (6,55")	Al. a 10,2 mm (0,40") An.
Ancho máximo a 90°.....	342,9 mm (13,5")	Al. a 102,1 mm (4,02") An.
Ancho máximo a 45°.....	241,6 mm (9,51")	Al. a 102,1 mm (4,02")

Cortes compuestos Inglete a 45° y bisel a 45°	
Bisel izquierdo	241,6 mm (9,51") Al. a 57,2 mm (2,25") An.
Bisel derecho.....	241,6 mm (9,51") Al. a 48,3 mm (1,9") An.

EXTENSIONES ELECTRICAS

Las herramientas que deben conectarse a tierra cuentan con clavijas de tres patas y requieren que las extensiones que se utilicen con ellas sean también de tres cables. Las herramientas con doble aislamiento y clavijas de dos patas pueden utilizarse indistintamente con extensiones de dos a tres cables. El calibre de la extensión depende de la distancia que exista entre la toma de la corriente y el sitio donde se utilice la herramienta. El uso de extensiones inadecuadas puede causar serias caídas en el voltaje, resultando en pérdida de potencia y posible daño a la herramienta. La tabla que aquí se ilustra sirve de guía para la adecuada selección de la extensión. Mientras menor sea el número del calibre del cable, mayor será la capacidad del mismo. Por ejemplo, un cable calibre 14 puede transportar una corriente mayor que un cable calibre 16. Cuando use mas de una extensión para lograr el largo deseado, asegúrese que cada una tenga al menos, el mínimo tamaño de cable requerido. Si está usando un cable de extensión para mas de una herramienta, sume los amperes de las varias placas y use la suma para determinar el tamaño mínimo del cable de extensión.

Guías para el uso de cables de extensión

- Si está usando un cable de extensión en sitios al aire libre, asegúrese que está marcado con el sufijo "W-A" ("W" en Canadá) el cual indica que puede ser usado al aire libre.
- Asegúrese que su cable de extensión está correctamente cableado y en buenas condiciones eléctricas. Cambie siempre una extensión dañada o hágala reparar por una persona calificada antes de volver a usarla.
- Proteja su extensión eléctrica de objetos cortantes, calor excesivo o áreas mojadas.

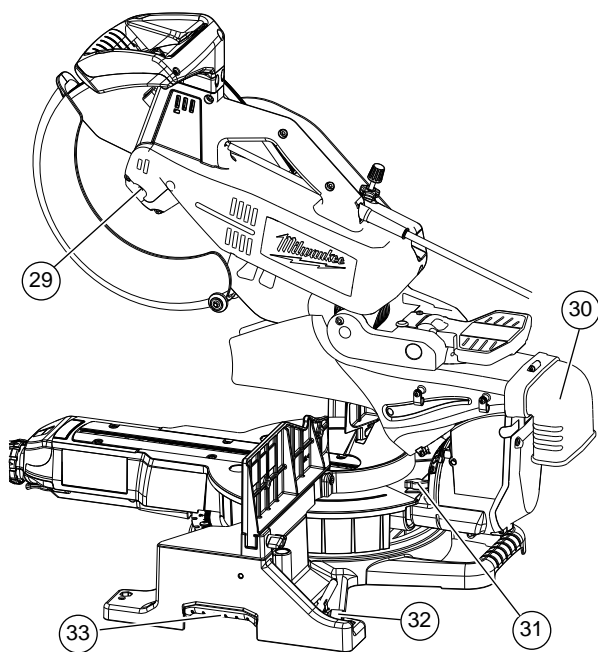
Calibre mínimo recomendado para cables de extensiones eléctricas*

Amperios (En la placa)	Largo de cable de Extensión en (m)					
	7,6	12,2	22,8	30,4	45,7	60,9
0 - 5,0	16	16	16	14	12	12
5,1 - 8,0	16	16	14	12	10	--
8,1 - 12,0	14	14	12	10	--	--
12,1 - 15,0	12	12	10	10	--	--
15,1 - 20,0	10	10	10	--	--	--

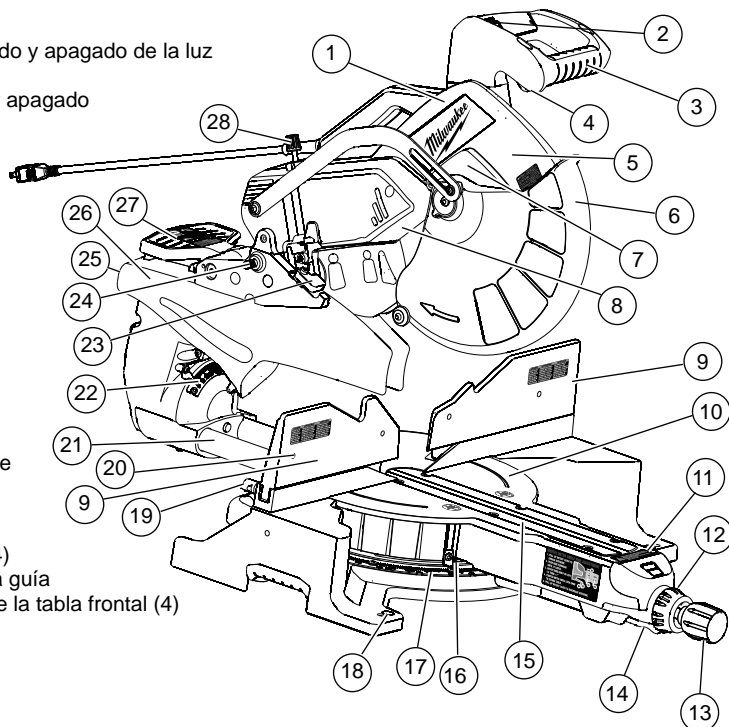
*Basado en limitar la caída en el voltaje a 5 volts al 150% de los amperios.

DESCRIPCION FUNCIONAL

1. Punta de la sierra
2. Interruptor de encendido y apagado de la luz
3. Upper handle
4. Gatillo de encendido y apagado
5. Guarda superior
6. Guarda inferior
7. Soporte de la guarda
8. Luces
9. Guía
10. Mesa giratoria
11. Indicador digital del ángulo de inglete
12. Anillo de ajuste fino
13. Perilla de fijación del ángulo de inglete
14. Palanca de retención
15. Placas ajustables de entallado
16. Indicador del ángulo de inglete
17. Escala de ángulo de inglete
18. Orificios de montaje (4)
19. Perilla de fijación de la guía
20. Orificios de montaje de la tabla frontal (4)



21. Rieles de deslizamiento
22. Escala de ángulo de biselado
23. Pata de tope de profundidad
24. Clavija de bloqueo de la punta
25. Abertura de eliminación de polvo
26. Conducto de polvo
27. Palanca de ajuste del bisel
28. Perilla de ajuste de tope de profundidad
29. Bloqueo del vástago
30. Codo de polvo (no se muestra saco capta-polvo)
31. Bloqueo del riel de deslizamiento
32. Compartimiento para guardar llaves
33. Mangos de transporte



TIERRA

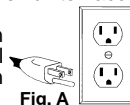
ADVERTENCIA Puede haber riesgo de descarga eléctrica si se conecta el cable de conexión de puesta a tierra incorrectamente. Consulte con un electricista certificado si tiene dudas respecto a la conexión de puesta a tierra del tomacorriente. No modifique el enchufe que se proporciona con la herramienta. Nunca retire la clavija de conexión de puesta a tierra del enchufe. No use la herramienta si el cable o el enchufe está dañado. Si está dañado antes de usarlo, llévelo a un centro de servicio MILWAUKEE para que lo reparen. Si el enchufe no se acopla al tomacorriente, haga que un electricista certificado instale un tomacorriente adecuado.

Herramientas con conexión a tierra (enchufes de tres clavijas)

Las herramientas marcadas con la frase "Se requiere conexión de puesta a tierra" tienen un cable de tres hilos y enchufes de conexión de puesta a tierra de tres clavijas. El enchufe debe conectarse a un tomacorriente debidamente conectado a tierra (véase la Figura A). Si la herramienta se averiara o no funcionara correctamente, la conexión de puesta a tierra proporciona un trayecto de baja resistencia para desviar la corriente eléctrica de la trayectoria del usuario, reduciendo de este modo el riesgo de descarga eléctrica.

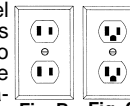
La clavija de conexión de puesta a tierra en el enchufe está conectada al sistema de conexión de puesta a tierra de la herramienta a través del hilo verde dentro del cable. El hilo verde debe ser el único hilo conectado al sistema de conexión de puesta a tierra de la herramienta y nunca se debe unir a una terminal energizada.

Su herramienta debe estar enchufada en un tomacorriente apropiado, correctamente instalado y conectado a tierra según todos los códigos y reglamentos. El enchufe y el tomacorriente deben asemejarse a los de la Figura A.



Herramientas con doble aislamiento (clavijas de dos clavijas)

Las herramientas marcadas con "Doble aislamiento" no requieren conectarse "a tierra". Estas herramientas tienen un sistema aislante que satisface los estándares de OSHA y llena los estándares aplicables de UL (Underwriters Laboratories), de la Asociación Canadiense de Estándares (CSA) y el Código Nacional de Electricidad. Las herramientas con doble aislamiento pueden ser usadas en cualquiera de los toma corriente de 120 Volt mostrados en las Figuras B y C.



CARACTERÍSTICAS

Sistema de inglete (6955-20)

La sierra ingleteadora Milwaukee 6955-20 utiliza una resistente placa de metal con topes. Esta placa de metal es extremadamente durable y permite tener siempre la misma exactitud en cada tope. El ángulo de inglete puede fijarse utilizando topes para los ángulos comunes de corte en 0°; 15°; 22,5°; 31,62°; 45° hacia la derecha e izquierda y 60° a la derecha. La 6955-20 tiene una amplitud de inglete que va desde los 55° a la izquierda hasta los 60° a la derecha. Un cojinete industrial permite a la mesa

giratoria ajustarse rápidamente y con exactitud a cualquier ángulo de la amplitud del inglete.

Ajuste fino del ángulo de inglete

En algunas aplicaciones de carpintería de terminación como en el caso de un encuadre de una ventana o puerta, es necesario compensar una situación sin ángulos rectos al hacer un ajuste de ángulo de inglete en la mesa giratoria. El sistema de ajuste fino de ángulo de inglete de Milwaukee hace este proceso rápido y fácil, especialmente cuando la sierra está posicionada cerca del tope de inglete.

Indicador digital del ángulo de inglete

La Milwaukee 6955-20 tiene un indicador digital de ángulo de inglete en la parte frontal de la mesa giratoria que muestra el ángulo de inglete de la mesa giratoria con una exactitud de 0,1°. El indicador digital de ángulo de inglete se basa en la exactitud mecánica de la placa de tope de ángulo de inglete. Se calibra sólo cada vez que la mesa giratoria se coloca en un tope de inglete y no es necesario calibrarlo.

Al utilizar el ajuste fino de ángulo de inglete junto con el indicador digital de ángulo de inglete, es fácil hacer pequeños y exactos ajustes de ángulo en cualquier lugar de la amplitud del inglete. Al utilizar estos sistemas juntos, se facilita el cambio de posición de la mesa giratoria así como también repetir cualquier configuración de ángulo de inglete.

Cuando la mesa giratoria se coloca en un ángulo de inglete hacia la IZQUIERDA, el indicador digital tendrá un símbolo (-) delante del ángulo (por ejemplo: -22,5° o -44,7°). Cuando la mesa giratoria esté colocada en un ángulo de inglete hacia la DERECHA, se podrá ver lo siguiente en el indicador digital: 22,5° o 44,7°.

Sistema de ajuste de bisel doble

El Sistema de ajuste de bisel doble permite ajustes de bisel rápidos y exactos, ya sea hacia la derecha o a la izquierda. El ángulo de inglete puede fijarse utilizando topes para los ángulos comunes de corte en 0°; 15°; 22,5°; 33,85°; 45° hacia la derecha e izquierda. El mecanismo de bisel también tiene muchos grados de sobrecarrera pasando los 45° tanto a la derecha como a la izquierda.

Circuito electrónico de control de retroalimentación

El circuito electrónico de control de retroalimentación (EFCC) ayuda a mejorar el funcionamiento y la duración de la herramienta. También permite que la herramienta mantenga una velocidad y un torque constantes, ya sea con carga o sin ella. El arranque suave reduce el par de torsión de reacción que reciben la herramienta y el usuario. Aumenta gradualmente la velocidad del motor desde cero hasta la velocidad máxima sin carga.

Freno eléctrico

El freno eléctrico se activa cuando se suelta el gatillo, haciendo que la segueta se pare y permitiéndole continuar con la tarea. **ADVERTENCIA!** El freno no es un sustituto de las guardas, de manera que siempre debe esperar hasta que la cuchilla se detenga completamente antes de sacar la hoja de la entalladura. Generalmente, la hoja de la sierra se detiene en cuatro o cinco segundos. Sin embargo, puede que haya un retraso entre el momento que se suelta el gatillo y cuando se activa el freno. Ocasionalmente el freno puede que se salte completamente. Si el freno se salta con frecuencia, la sierra necesita reparación en un centro de mantenimiento autorizado MILWAUKEE.

Luces

La sierra ingleteadora Milwaukee 6950-20 tiene dos luces de alta potencia montadas a cada lado de la hoja para iluminar el área de corte de la pieza de trabajo para que sea fácil ver la hoja acercarse a la línea de corte. Un interruptor de encendido y apagado para las luces está convenientemente ubicado en el mango del gatillo. El foco está diseñado para brindar muchos años de servicio. Utiliza el tamaño estándar de foco GE 193.

Sistema de manejo del polvo

El sistema de recolección de polvo de la sierra ingleteadora Milwaukee 6955-20 utiliza un gran conducto de polvo a ambos lados de la hoja para atrapar y dirigir el polvo a la parte trasera de la sierra. La sierra viene con un codo de polvo y un saco capta-polvo que se colocan en la parte trasera del conducto de polvo. El saco capta-polvo tiene un cierre ubicado en la parte inferior que facilita su vaciado. Cuando esté utilizando la sierra en un soporte, el cierre del saco capta-polvo puede permanecer abierto para permitir que los residuos caigan en el recipiente de residuos.

Mangos de transporte

Para transportarlo con más comodidad, se incluyen muchos mangos de transporte, uno a cada lado de la mesa y uno en la parte superior de la punta de la sierra. Siempre trabaje la punta de la sierra abajo cuando la transporte.

ENSAMBLAJE

⚠ ADVERTENCIA Para reducir el riesgo de una lesión, desconecte siempre la herramienta antes de fijar o retirar accesorios, o antes de efectuar ajustes. Utilice sólo los accesorios específicamente recomendados. El uso de otros accesorios puede ser peligroso.

Ajuste de la sierra ingleteadora

La sierra ingleteadora 6955-20 viene completamente regulada de fábrica. Si no es exacta debido al envío y la manipulación, siga estas instrucciones para configurar con exactitud su sierra. Una vez que la sierra esté debidamente regulada, debe permanecer exacta bajo condiciones normales del lugar de trabajo y transporte.

Cómo encuadrar la hoja (90°) a la guía (inglete de 0°)

1. Desenchufe la sierra.
2. Coloque una escuadra contra la guía y la hoja, y asegúrese de que la escuadra no esté tocando los dientes de la hoja ya que esto dará una medición inexacta.
3. Afloje la perilla de fijación del inglete y mueva la sierra a la posición de inglete de 0°. No ajuste la perilla de fijación.
4. Si la hoja de la sierra no está exactamente perpendicular a la guía, utilice la llave incluida para aflojar los tornillos que unen la escala de ingletes a la base. Mueva la escala hacia la izquierda o derecha hasta que la hoja esté perpendicular a la guía. Use la escala para verificar que la hoja esté perpendicular a la guía. Vuelva a ajustar los tornillos.
5. Afloje el tornillo de ajuste del indicador del inglete y cambie la posición del indicador de tal manera que indique exactamente cero. Una vez que el indicador haya sido ubicado apropiadamente, vuelva a ajustar el tornillo de ajuste del indicador del inglete.

Cómo encuadrar la hoja (90°) a la mesa (Bisel de 0°)

1. Desenchufe la sierra.
2. Coloque una escuadra contra la mesa y la hoja y asegúrese de que la escuadra no esté tocando los dientes de la hoja ya que esto dará una medición inexacta.
3. Saque los 6 tornillos que mantienen el conducto de polvo en su lugar.
4. Mueva la palanca de ajuste del bisel a la posición media y use una herramienta como cuña (destornillador, etc.) para que el mango se quede en la posición media. Mueva la punta de la sierra de tal manera que el mecanismo de detención de bisel se trabaje en el tope de bisel de 0°.
5. Afloje 2 tornillos (T25) en el frente del brazo del bisel, estos tornillos se utilizan para sujetar el objeto de retención.
6. Utilice una llave T25 para ajustar la configuración del bisel de la hoja a la mesa. En sentido horario se inclina la hoja hacia la derecha, en sentido antihorario se inclina la hoja a la izquierda.
7. Una vez configurada la hoja para un bisel de 0°, ajuste los dos tornillos con un torque de 85 a 100 pulg. libras.
8. Saque la herramienta utilizada para trabar la palanca de ajuste del bisel.
9. Mueva la palanca de ajuste de bisel hasta la posición "trabada" (lock).
10. Vuelva a colocar los laterales del conducto de polvo, ajustando los 6 tornillos hasta que queden fijos.
11. Si es necesario, afloje los tornillos de ajuste del indicador del bisel izquierdo y derecho y cambie la posición de los indicadores de tal manera que indiquen exactamente cero. Una vez que los indicadores hayan sido ubicados apropiadamente, vuelva a ajustar el tornillo de ajuste del indicador del bisel.

Montaje de la sierra ingleteadora

Para evitar que la herramienta se deslice, se caiga o se incline durante su uso, la sierra se puede montar en una superficie de apoyo como una mesa o banco de trabajo nivelado y resistente. Ubique la sierra y el banco de trabajo de manera que haya suficiente espacio para cortar transversalmente largas piezas de trabajo. Para montar la sierra, inserte sujetadores a través de los orificios de los ángulos de la base de la sierra.

Cómo instalar el saco capta-polvo

Utilice el saco capta-polvo para juntar o desviar el aserrín. Inserte el codo de polvo en el conducto de polvo en la parte posterior de la sierra. Luego, coloque el saco capta-polvo enganchándolo en el codo de polvo. Siempre debe vaciar el saco capta-polvo antes de guardarlo y con frecuencia durante el uso.

Cómo elevar y bajar la punta de la sierra

La punta de la sierra debe estar trabada en la posición baja para transportarla y almacenarla. La herramienta se envía con la punta de la sierra trabada en la posición baja. Para destrabarla, mantenga presionada la punta de la sierra mientras saca la clavija de traba. Para trabar la punta de la sierra, mantenga presionada la punta de la sierra y luego inserte la clavija de traba.

Cómo trabar y destrabar el mecanismo deslizante

Siempre debe trabar el mecanismo deslizante antes de transportar o guardar la sierra. Para destrabarlo, afloje la traba del riel de deslizamiento girándolo en sentido antihorario. Para trabarlo, ajuste la traba del riel de deslizamiento girándolo en sentido horario.

Desbloqueo

Hay un orificio en el gatillo en el que entra un candado para bloquear la herramienta cuando no está en uso. Utilice un candado con un grillete de 6,35 mm (1/4") y siempre desenchufe la herramienta antes de instalarlo (el candado no se incluye con la herramienta).

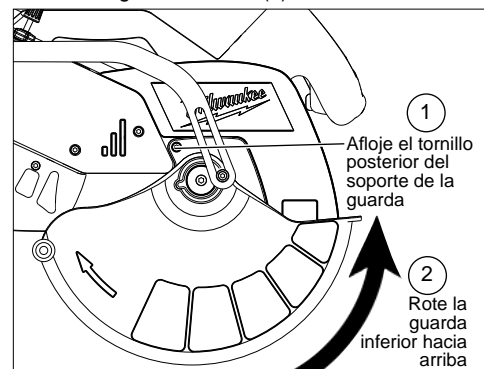
Cómo elegir la hoja de sierra ingleteadora adecuada

Utilice sólo hojas de sierra ingleteadora deslizante con la Sierra ingleteadora de bisel doble deslizante MILWAUKEE. Las hojas de sierra con un ángulo de gancho de 0° o un ángulo de gancho negativo funcionan bien en sierras ingleteadoras deslizables. Un ángulo de gancho negativo significa que los dientes se inclinan hacia afuera de la dirección de rotación y un ángulo de gancho de 0° significa que los dientes están alineados con el centro de la hoja. Un ángulo de gancho negativo o bajo disminuye la velocidad de suministro y también disminuye la tendencia de la hoja a "trepár" el material que se está cortando.

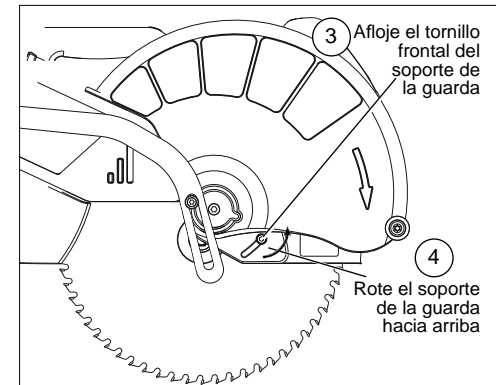
Instalación y cambio de las hojas

Siempre debe utilizar hojas limpias y filosas porque las hojas desafiladas tienden a sobrecargar la herramienta, agarrarse y provocar atascamiento. Utilice sólo hojas de 305 mm (12") con una medición mínima de 5500 RPM.

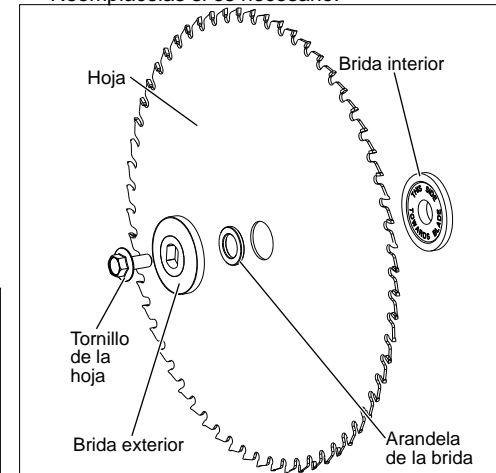
1. Desenchufe la herramienta.
2. Con la punta de la sierra hacia arriba, utilice la llave para aflojar el tornillo trasero del soporte de la guarda un 1/4 de vuelta utilizando la llave incluida (1).
3. Eleve la guarda inferior (2).



4. Afloje (no saque) el tornillo frontal del soporte de la guarda (3) hasta que el soporte de la guarda se pueda levantar para descubrir el tornillo de la hoja (4). Baje la guarda inferior hasta que esté apoyada en el tornillo frontal del soporte de la guarda. Esto la mantendrá elevada y fuera del camino mientras se cambia la hoja.



5. Presione el bloqueo del vástago y rote el vástago hasta que se enganche el bloqueo.
6. Utilice la llave para aflojar y sacar en sentido horario el tornillo de la hoja de rosca izquierda.
7. Saque la brida externa de la hoja, la arandela de la hoja y la brida interior de la hoja. Pase un trapo a las bridas, arandelas y vástago para sacar todo el polvo y los desechos. Inspeccione las partes para ver si están dañadas. Reemplácelas si es necesario.



8. Instale la brida interior de la hoja tal como se muestra.
9. Inserte la arandela de la hoja en el orificio del árbol de la hoja.
10. Haga coincidir la flecha de la hoja con la flecha de la guarda inferior. Deslice la hoja en la guarda superior y sobre el vástago.
11. Instale la brida externa de la hoja.
12. Presione el bloqueo del vástago y rote la hoja hasta que se enganche el bloqueo. Inserte y ajuste bien el tornillo de la hoja en sentido antihorario con la llave.
13. Rote el soporte de la guarda hasta su posición y ajuste bien los dos tornillos. Vuelva a colocar la llave en el portallaves.

14. Baje la punta de la sierra y controle el espacio entre la hoja y las placas ajustables de entallado. **Importante:** La guarda inferior debe moverse independientemente. La hoja debe rotar libremente (ver "Cómo ajustar las placas de entallado").

Cómo ajustar las placas de entallado

Las placas de entallado reducen el rasgado y astillamiento a lo largo del corte al brindar soporte en el borde. Debido a que las hojas varían en ancho, debe ajustar las placas de entallado luego de cada cambio de hoja.

Nunca debe hacer un corte sin las placas de entallado ajustables instaladas. Las placas de entallado pueden fijarse en su máximo ancho para que entren todos los anchos de hoja y ángulos de bisel si el rasgado y el astillamiento no es un aspecto importante.

1. Desenchufe la herramienta.
2. Instale la hoja que se va a usar. Cada vez que se cambie la hoja, controle para asegurarse de que las placas de entallado estén debidamente ajustadas.
3. Fije el ángulo de bisel. Cada vez que se cambie el bisel, controle para asegurarse de que las placas de entallado estén debidamente ajustadas.
4. Afloje los seis tornillos que ajustan la placa de entallado.
5. Baje la punta de la sierra hasta la máxima profundidad del corte (el punto en el que la punta de la sierra ya no puede bajar más).
6. Deslice las placas de entallado hasta la separación deseada y ajuste los seis tornillos.
7. Asegúrese de que la hoja de la sierra no entre en contacto con las placas de entallado antes de encender la sierra.

OPERACION

ADVERTENCIA Para reducir el riesgo de lesiones, lleve gafas de seguridad o lentes con protectores laterales. Siempre debe esperar a que la hoja se detenga completamente y desenchufe la herramienta antes de cambiar accesorios o hacer ajustes. No anule las guardas.

Utilización de las tablas separadoras (Separación cero de las subguías)

Hay orificios de montaje de tablas separadoras en las guías para colocar tablas separadoras. Las tablas separadoras ponen una distancia entre la guía y la pieza de trabajo, brindando así mejor apoyo para algunas piezas de trabajo. Se puede reducir el astillamiento de las piezas de trabajo al utilizar las tablas separadoras. A medida que el ancho de la tabla separadora aumenta, la altura de la pieza de trabajo que se puede cortar aumenta levemente (pero la capacidad de ancho decrece levemente). De manera similar, si usted coloca una tabla separadora en la mesa de la sierra y coloca una pieza de trabajo sobre la tabla separadora, puede cortar una pieza de trabajo más ancha (pero con menos altura).

Guardas

La herramienta se envía con las guardas inferior y superior instaladas. La guarda inferior debe cubrir la hoja cuando la punta de la sierra está hacia arriba y debe moverse libremente y abrirse automáticamente a medida que la punta de la sierra se inserta en la pieza de trabajo. Si la guarda inferior parece estar suelta, se pega o si no se mueve para cubrir la hoja cuando la punta de la sierra está hacia arriba, ajuste

los tornillos de soporte de la guarda. Si aún no se mueve libremente, lleve la sierra a un centro de servicio autorizado para reparaciones. No intente abrir la guarda más allá de lo que la acción automática lo permite.

Elija con cuidado la pieza de trabajo

Tenga cuidado al trabajar con piezas de trabajo resinosas, con nudos, húmedas o pandeadas. Estos materiales tienen tendencia a causar atoramiento. Aquellas piezas de trabajo que se curvan o atascan podrían ocasionar una reacción de retroceso. Busque y saque los clavos antes de cortar. Siempre debe tener las hojas limpias y afiladas; si no, la hoja produce una entalladura estrecha y es probable que se atore en la pieza de trabajo. Esta herramienta no se recomienda para cortar metales ferrosos como el hierro y el acero. Ver Aplicaciones para una lista más exhaustiva de materiales.

Sujete adecuadamente la pieza de trabajo

Siempre debe sujetar la pieza de trabajo durante el uso. De lo contrario, la pieza de trabajo puede ser jalada hacia arriba y hacia el interior de la sierra.

1. Utilice la guía: Alinee el borde de la pieza de trabajo contra la guía para brindar una trayectoria derecha para la hoja de la sierra. Esto ayudará a eliminar la tendencia a atascarse de los dientes de la hoja. La guía se puede utilizar como apoyo para cortes en inglete, en bisel y compuestos.
2. Utilice un broche: Sujete la pieza de trabajo a la guía o a la base con un broche en C.

Sujeción de piezas de trabajo más largas

Las piezas de trabajo más largas necesitan sujeción en toda su longitud. Si está utilizando una sierra en un banco de trabajo nivelado, apunte la pieza de trabajo a una altura de 120,65 mm (4-3/4") de la parte inferior de los pies de la sierra. También hay muchas mesas de trabajo que se pueden comprar como repuestos especialmente diseñadas para sierras ingleteadoras que brindan sujeción para todos los tipos de piezas de trabajo.

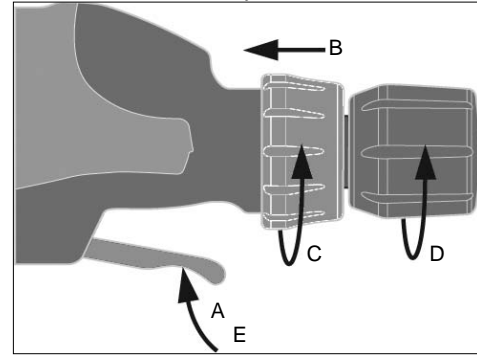
Ajuste del ángulo de inglete

El ángulo de inglete se puede fijar utilizando topes para los ángulos de corte comunes, además de ajustar con exactitud para cualquier ángulo. Use el indicador del ángulo de inglete para ajustar la mesa giratoria a cualquier ángulo en toda la amplitud de inglete. El indicador digital del ángulo de inglete muestra el ángulo seleccionado.

1. Afloje la perilla de fijación del ángulo de inglete.
2. Para seleccionar el ángulo de inglete, tire hacia arriba la palanca de retención y gire la mesa giratoria hasta el ángulo de retención más cercano al ángulo deseado. La sierra corta ángulos de inglete desde 55° sobre la izquierda hasta 60° sobre la derecha. Hay topes disponibles a 0°; 15°; 22,5°; 32,62°; 45° y 60°.
3. Ajuste la perilla de fijación del ángulo de inglete para utilizar el ángulo de inglete elegido en el tope antes de hacer un corte.
4. Para hacer un ajuste fino en el ángulo de inglete:
 - A. Jale hacia arriba y mantenga la palanca de retención.
 - B. Empuje el anillo de ajuste fino hacia adelante hasta que se trabe para engranar la anulación de automatismo.

C. Gire el anillo de ajuste fino hacia la izquierda o hacia la derecha hasta que se pueda leer el ángulo deseado en el indicador digital de ángulo de inglete. ¼ de vuelta = 1° de cambio en el ángulo de inglete.

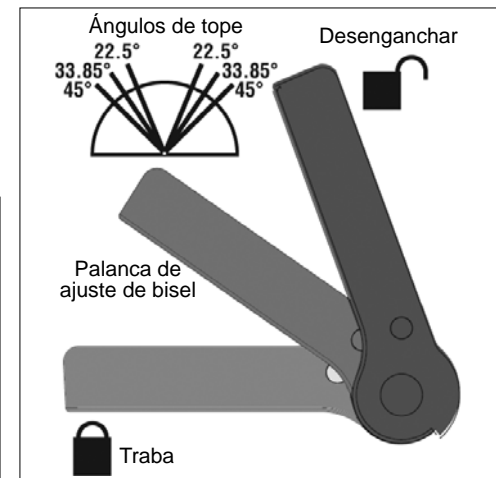
- D. Ajuste la perilla de fijación del ángulo de inglete para asegurar la mesa antes de hacer un corte.
- E. Tire hacia arriba la palanca de retención para liberar el anillo de ajuste fino.



Ajuste del ángulo de bisel

El ángulo de bisel se puede fijar usando los topes para ángulos de corte comunes, además de adaptarse a cualquier ángulo entre ellos por medio de la utilización de la escuadra de ángulo de bisel. El mecanismo de bisel también tiene muchos grados de sobrecarrera tanto a la derecha como a la izquierda.

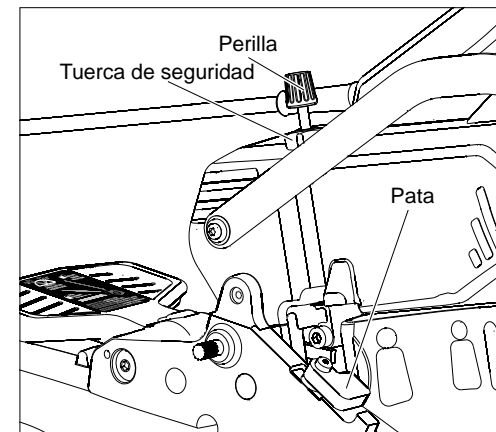
1. Desenchufe la herramienta.
2. Para ajustar el ángulo de bisel, coloque una mano sobre el mango frontal para mejor control.
3. Con la otra mano, levante la palanca de ajuste de bisel.
 - A. Para utilizar topes preestablecidos, levante la palanca de ajuste de bisel la mitad del recorrido (hasta que haga "clic") para mover la punta de la sierra hacia la derecha o la izquierda, con detenciones en los topes preestablecidos.
 - B. Para mover la punta con total libertad, levante la palanca de ajuste de bisel hasta el final del recorrido para mover con total libertad la punta de la sierra a través de toda la amplitud de bisel.
4. Tire o empuje la punta de la sierra hasta el ángulo deseado utilizando la escuadra de ángulo de bisel.
5. Baje la palanca de ajuste de bisel para fijar el ángulo de bisel antes de hacer un corte.



Cómo ajustar la profundidad del corte

La profundidad del corte se puede ajustar para hacer cortes de ranura o rebajado.

1. Desenchufe la herramienta.
2. Para fijar la profundidad del corte, gire la pata de tope de profundidad hacia el frente de la sierra.
3. Baje la punta de la sierra hasta la profundidad deseada del corte.
4. Gire la perilla de ajuste de detención de profundidad hasta que haga contacto con la pata. Fije la profundidad utilizando la tuerca de seguridad.
5. Enchufe la herramienta y haga un corte de prueba para verificar que la profundidad del corte sea la correcta.
6. Para eliminar el límite de profundidad del corte, afloje la tuerca de seguridad girándola en sentido antihorario y gire la pata para alejarla de la parte frontal de la sierra.



Cómo ajustar las guías

1. Afloje las perillas de fijación de la guía.
2. El lado izquierdo de la guía puede deslizarse de lado a lado hasta la posición deseada para permitir un corte de bisel izquierdo o un inglete izquierdo compuesto.
3. Siempre debe colocar las guías correctamente para obtener el máximo apoyo de trabajo.
4. Ajuste bien las perillas de fijación de la guía antes de hacer un corte.

NOTA: Si cualquiera de las guías tiene algún movimiento hacia adelante o hacia atrás, ajuste el tornillo fijador de la guía que está ubicado en la parte trasera de la ranura de cada guía.

Luces

Utilice el interruptor de encendido y apagado para encender las luces de la mesa giratoria antes de hacer un corte. Apague las luces cuando haya terminado de cortar.

ADVERTENCIA Para reducir el riesgo de lesiones, no confíe en el freno como un recurso de seguridad. Siempre espere hasta que la hoja se detenga completamente antes de acercarse cualquier cosa a la hoja.

Para reducir el riesgo de lesiones, asegúrese de que todos los ajustes estén bien fijados antes de hacer un corte.

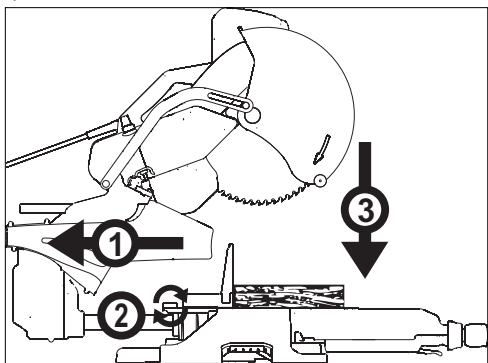
Arranque y parada de la herramienta

Siempre debe mantener el mango del gatillo firmemente porque la acción de arranque y parada del motor puede hacer que el mango se mueva hacia arriba o hacia abajo levemente. Siempre debe asegurar la mesa giratoria ajustando la perilla de fijación del ángulo de inglete.

1. Para arrancar el motor, pulse el gatillo.
2. Para parar el motor, suelte el gatillo.

Cómo hacer un corte sin deslizamiento

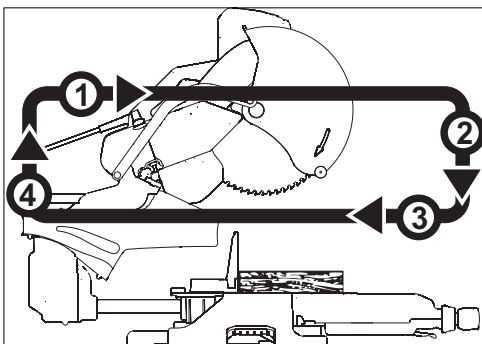
El mecanismo de deslizamiento puede bloquearse para utilizar la sierra para cortes sin deslizamiento (cortes que no necesitan la utilización del mecanismo de deslizamiento). Corte piezas de trabajo con cortes sin deslizamiento siempre y cuando sea posible. Un corte sin deslizamiento siempre es más rápido y fácil que hacer uno con deslizamiento.



1. Deslice totalmente la punta de la sierra hacia atrás (1).
2. Ajuste la traba del riel de deslizamiento (2).
3. Enchufe la herramienta. Levante completamente la punta de la sierra.
4. Elija los ángulos que desea siguiendo los pasos de "Cómo ajustar el ángulo de inglete" y "Cómo ajustar el ángulo de bisel".
5. Coloque la pieza de trabajo en la mesa giratoria y alinee el corte.
6. Sostenga la pieza de trabajo utilizando cualquiera de los métodos descriptos en "Sujete adecuadamente la pieza de trabajo".
7. Encienda el motor. Espere unos cuantos segundos hasta que la hoja alcance la máxima velocidad. Luego, baje la punta de la sierra lenta y totalmente a través del corte de la pieza de trabajo (3).
8. Siempre debe permitir que la sierra haga el trabajo. Forzar la herramienta puede frenarla o recalentar el motor.
9. Después de terminar el corte, suelte el gatillo y espere a que la hoja se detenga completamente. Luego levante lentamente la punta de la sierra y saque la pieza de trabajo. Siempre debe desenchufar la herramienta antes de sacar a piezas de corte sueltas dentro del área de la protección.

Cómo hacer un corte con deslizamiento

Las piezas de trabajo más anchas pueden cortarse utilizando el mecanismo de deslizamiento.



1. Asegúrese de que la traba del riel de deslizamiento esté suelta y que la punta de la sierra se mueva libremente hacia delante y hacia atrás.
2. Elija el ángulo que desea siguiendo los pasos de "Cómo ajustar el ángulo de inglete" y "Cómo ajustar el ángulo de bisel".
3. Coloque la pieza de trabajo en la mesa giratoria y alinee el corte.
4. Levante la punta de la sierra y tire de ella SOBRE la pieza de trabajo SIN cortar (1).
5. Encienda el motor. Espere unos cuantos segundos hasta que la hoja alcance la máxima velocidad.
6. Presione hacia abajo sobre la punta de la sierra (2).
7. Presione la sierra a través del corte (3).
8. Después de terminar el corte, suelte el gatillo y espere a que la hoja se detenga completamente. Luego levante lentamente la punta de la sierra (4) y saque la pieza de trabajo. Siempre debe desenchufar la herramienta antes de sacar a piezas de corte sueltas dentro del área de la protección.

APLICACIONES

ADVERTENCIA No corte piedra, ladrillo, concreto ni materiales ferrosos (hierro, acero, acero inoxidable ni aleaciones de estos metales) con esta sierra. No use discos abrasivos con esta sierra.

El polvo producido por el corte de estos materiales y el uso de discos de corte abrasivos puede trabar la protección de la hoja y podría ocasionar lesiones.

Materiales y usos recomendados

Los siguientes materiales pueden cortarse con la sierra ingleteadora compuesta deslizante. Hay muchos tipos disponibles de hojas de sierra. Siempre debe utilizar la hoja correcta para determinado material y aplicación.

- **Madera:** madera maciza, contrachapado, madera prensada, MDF (tabla de fibras de mediana densidad), HDF (tabla de fibras de alta densidad), madera prensada con laminado de melanina, laminados de fórmica, tablero de aglomerado (masonita).
- **Plásticos:** PVC, CPVC, ABS, materiales sólidos de tratamiento de superficie (como Corian®) y otros materiales plásticos. Cuando corte plástico, evitar el sobrecalentamiento de la hoja y los dientes de la hoja para evitar la fusión de la pieza.
- **Metales no ferrosos:** aluminio, latón, cobre y otros materiales no ferrosos.

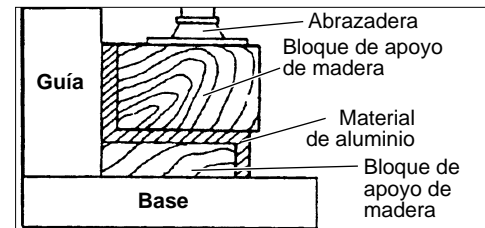
Cómo cortar materiales que no están en escuadra Cómo cortar materiales circulares (cilíndricos)

Los bloques con forma de "V" pueden utilizarse para apuntalar materiales circulares como barras de ropero y tuberías de plástico.

Hojas de ventanas de aluminio y otros materiales tipo acanalado

El material de las hojas de ventanas de aluminio se puede apuntalar con bloques para evitar que se deforme mientras se está cortando.

Amplitud de inglete	Topes de inglete
de 0° a 55° hacia la izquierda	0°; 15°; 22,5°; 31,62° y 45° hacia la izquierda
de 0° a 60° hacia la derecha	0°; 15°; 22,5°; 31,62° y 45° hacia la derecha
Amplitud de bisel	Topes de bisel
de 0° a 45° hacia la izquierda	0°; 22,5°; 33,85°; 45° y 48° hacia la izquierda
de 0° a 48° hacia la derecha	0°; 22,5°; 33,85°; 45° y 48° hacia la derecha
Capacidad de moldura de base	Capacidad de vértice encajado
152,4 mm (6") a 0° 152,4 mm (6") a 45° hacia la izquierda y la derecha	168,27 mm (6-5/8")

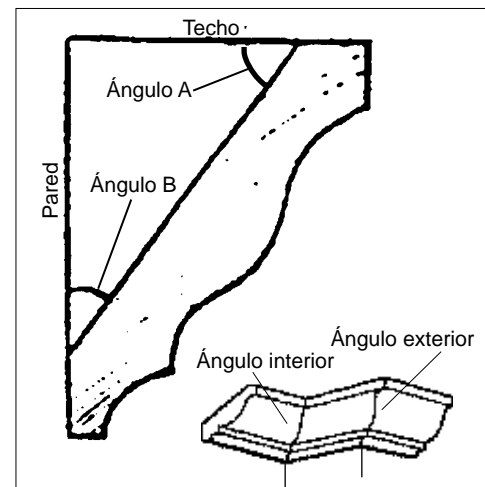


Dos métodos para cortar moldura de vértice

Los ángulos creados en una pieza de moldura de vértice que encaja justo contra el techo y la pared, cuando se los suma, serán igual a 90° (A + B = 90°). Los ángulos de moldura de vértice más comunes son: 52°/38°: Un ángulo de 52° contra el techo (A) y un ángulo de 38° contra la pared (B). La sierra ingleteadora tiene configuraciones de inglete especiales a 31,6° hacia la izquierda y derecha, y una configuración de bisel a 33,9° para utilizar cuando se esté cortando moldura de vértice de 52°/38° bien apoyado sobre la mesa de la sierra ingleteadora. Estas configuraciones están identificadas por un diamante.

45°/45°: Un ángulo de 45° contra el techo (A) y un ángulo de 45° contra la pared (B). La sierra ingleteadora tiene configuraciones de inglete especiales a 35,3° hacia la izquierda y derecha y una configuración de bisel a 30° para utilizar cuando se esté cortando un vértice de 45°/45° bien apoyado sobre la mesa de la sierra ingleteadora. Estas configuraciones están identificadas por un círculo negro.

NOTA: Aunque estos ángulos son estándares, las habitaciones muy pocas veces están construidas de tal manera que los ángulos tengan exactamente 90°. Usted tendrá que "adaptar" estos parámetros y hacer los ajustes necesarios en los ángulos de corte.



Cómo cortar moldura de vértice plano sobre la mesa de sierra ingleteadora

La ventaja de cortar moldura de vértice plano sobre la mesa es que es más fácil asegurar la moldura en la posición correcta de corte. También se pueden cortar piezas más grandes de moldura de vértice cuando están bien apoyadas sobre la mesa de la sierra ingleteadora.

1. Configure los ángulos de bisel e inglete utilizando la tabla de ángulos de inglete de molduras de vértice. Ajuste la perilla de fijación de inglete y la perilla de fijación de bisel.
2. La utilización de la sección de posicionamiento a continuación, posiciona correctamente la moldura. **NOTA:** Siempre debe hacer un corte de prueba en material de desecho para confirmar que todos los ángulos son los correctos.
3. Haga el corte siguiendo el procedimiento de "Cómo hacer un corte sin deslizamiento".

Cómo cortar una moldura de vértice en ángulo contra la guía (encajado – en posición)

Siempre debe utilizar una guía para moldura de vértice cuando esté cortando una moldura de vértice en ángulo contra la guía. Cuando esté cortando una moldura de vértice en ángulo contra la guía no es necesario configurar el bisel. Los pequeños cambios en el ángulo del inglete se pueden realizar sin afectar el ángulo de bisel. Cuando esté utilizando este método, la sierra puede ajustarse rápida y fácilmente para aquellos ángulos que no tienen 90° (rectos).

Cómo posicionar

La moldura de vértice estándar (EE. UU.) con ángulos de 52° y 38° (fijar el ángulo de bisel a 33,85°)

Lado izquierdo, ángulo interno

1. Borde superior de la moldura contra la guía
2. Mesa de inglete configurada a la derecha 31,62°
3. Guarde el extremo izquierdo del corte

Lado derecho, ángulo interno

1. Borde inferior de la moldura contra la guía
2. Mesa de inglete configurada a la izquierda 31,62°
3. Guarde el extremo izquierdo del corte

Lado izquierdo, ángulo externo

1. Borde inferior de la moldura contra la guía
2. Mesa de inglete configurada a la izquierda 31,62°
3. Guarde el extremo derecho del corte

Lado derecho, ángulo externo

1. Borde superior de la moldura contra la guía
2. Mesa de inglete configurada a la derecha 31,62°
3. Guarde el extremo derecho del corte

La moldura de vértice estándar (EE. UU.) con ángulos de 45° (fijar el ángulo de bisel a 0°)

Lado izquierdo, ángulo interno

1. Borde superior de la moldura contra la guía
2. Mesa de inglete configurada a la derecha 45°
3. Guarde el extremo izquierdo del corte

Lado derecho, ángulo interno

1. Borde inferior de la moldura contra la guía
2. Mesa de inglete configurada a la izquierda 45°
3. Guarde el extremo izquierdo del corte

Lado izquierdo, ángulo externo

1. Borde inferior de la moldura contra la guía
2. Mesa de inglete configurada a la izquierda 45°
3. Guarde el extremo derecho del corte

Lado derecho, ángulo externo

1. Borde superior de la moldura contra la guía
2. Mesa de inglete configurada a la derecha 45°
3. Guarde el extremo derecho del corte

MANTENIMIENTO

⚠️ ADVERTENCIA Para reducir el riesgo de lesiones, desconecte siempre la herramienta antes de darle cualquier mantenimiento. Nunca desarme la herramienta. Acuda a un Centro de Servicio MILWAUKEE para TODAS las reparaciones.

Mantenimiento de las herramientas

Adopte un programa regular de mantenimiento y mantenga su herramienta en buenas condiciones. Inspeccione la herramienta para problemas como ruidos indebidos, desalineadas o agarradas de partes móviles, piezas rotas o cualquier otra condición que pueda afectar el funcionamiento de la herramienta. Envíe su herramienta al Centro de Servicio MILWAUKEE para reparación. Después de 6 meses a un año, dependiendo del uso dado, envíe su herramienta al Centro de Servicio MILWAUKEE más cercano para la inspección.

⚠️ ADVERTENCIA Para reducir el riesgo de lesiones, descarga eléctrica o daño a la herramienta, nunca la sumerja en líquidos ni permita que estos fluyan dentro de la misma.

Limpieza

Limpie el polvo y suciedad de las ventilas. Mantenga los mangos limpios, secos y libres de aceite o grasa. Use solo jabón neutro y un trapo húmedo para limpiar, ya que algunos substancias y solventes limpiadores son dañinos a los plásticos y partes aislantes. Algunos de estos incluyen: gasolina, turpentina, thinner, lacas, thinner para pinturas, solventes para limpieza con cloro, amoníaco y detergentes caseros que tengan amonía. Nunca use solventes inflamables o combustibles cerca de una herramienta.

Reparaciones

Si su herramienta, batería o cargador están dañados, envíela al centro de servicio más cercano.

ACCESORIOS

⚠️ ADVERTENCIA Utilice sólo los accesorios específicamente recomendados. Otros accesorios puede ser peligroso.

Para una lista completa de accesorios, visite nuestro sitio en Internet: www.milwaukeetool.com o póngase en contacto con un distribuidor.

SOPORTE DE SERVICIO - MEXICO

CENTRO DE ATENCION A CLIENTES

Techtronic Industries Mexico, S.A. de C.V.

Av. Presidente Masarik 29 Piso 7

11560 Polanco V Seccion

Miguel Hidalgo, Distrito Federal, México

01 (800) 030-7777 o (55) 4160-3540

Lunes a Viernes (9am a 6pm)

O contáctanos en www.milwaukeetool.com.mx

GARANTÍA LIMITADA - E.U.A. Y CANADÁ

Se garantiza al comprador original que ninguna de las herramientas eléctricas MILWAUKEE (incluido el producto inalámbrico, la herramienta y las baterías; consulte las declaraciones distintas y por separado en GARANTÍA LIMITADA DEL PAQUETE DE BATERÍAS INALÁMBRICAS y de las luces de trabajo y del cargador de baterías*) presentan defectos en material ni en mano de obra. En un plazo de cinco (5) años* a partir de la fecha de compra y sujeto a ciertas excepciones, MILWAUKEE reparará o reemplazará cualquier parte de una herramienta eléctrica que, luego de ser examinada, MILWAUKEE compruebe que presenta defectos en material o mano de obra, a menos que se indique lo contrario. Se requiere la devolución de la herramienta eléctrica a un centro de mantenimiento de la fábrica MILWAUKEE o a un centro de reparaciones autorizado por MILWAUKEE, con gastos de envío prepagados y asegurados. La devolución del producto debe estar acompañada por un comprobante de compra. Esta garantía no se aplica a los daños que MILWAUKEE establece que fueron ocasionados por reparaciones o intentos de reparación por parte de personal no autorizado por MILWAUKEE, uso indebido, alteraciones, abuso, desgaste y deterioro normal, falta de mantenimiento o accidentes.

*El período de garantía de las radicos para obras, del puerto de alimentación M12™, Fuente de poder M18™, Ventilador para obra y de las carretillas de trabajo industrial Trade Titan™ es de un (1) año a partir de la fecha de compra. El período de garantía de la lámpara de trabajo con diodo luminoso y del foco mejorado con diodo luminoso es una garantía VITALICIA limitada para el comprador original únicamente. Si durante el uso normal el foco de diodo luminoso no funciona, la lámpara de trabajo o el foco mejorado se reemplazará sin carga.

*Esta garantía no cubre las clavadoras aéreas, las engrapadoras, el rociador de pintura inalámbrico, el paquete de baterías inalámbrico, los generadores eléctricos portátiles que funcionan con gasolina, herramientas manuales, elevadores (eléctricos, con palanca y con cadenas manuales), camisas de calefacción M12™, productos reacondicionados y productos de prueba y medición. Se encuentran disponibles garantías distintas para estos productos.

No se necesita registro de garantía para obtener la garantía correspondiente de un producto eléctrico MILWAUKEE. La fecha de fabricación del producto se utilizará para determinar el período de garantía si no se presenta un comprobante de compra en el momento en que se solicita el servicio de garantía.

LA ACEPTACIÓN DE LOS DERECHOS A REPARACIÓN Y REEMPLAZO EXCLUSIVAMENTE DESCRITOS EN EL PRESENTE DOCUMENTO CONSTITUYE UNA CONDICIÓN DEL CONTRATO POR LA COMPRA DE CADA PRODUCTO MILWAUKEE. SI NO ACEPTA ESTA CONDICIÓN, NO DEBE COMPRAR EL PRODUCTO. MILWAUKEE NO SERÁ EN NINGUN CASO RESPONSABLE DE DAÑOS INCIDENTALES, ESPECIALES, CONSECUENTES O PUNITIVOS, NI DE COSTOS, HONORARIOS DE ABOGADOS, GASTOS, PÉRDIDAS O DEMORAS SUPUESTAMENTE CAUSADOS COMO CONSECUENCIA DE CUALQUIER DAÑO, FALLA O DEFECTO EN CUALQUIER PRODUCTO, INCLUIDOS, A MODO DE EJEMPLO, RECLAMOS POR PÉRDIDA DE GANANCIAS. ALGUNOS ESTADOS NO PERMITEN LA EXCLUSIÓN O LA LIMITACIÓN DE DAÑOS INCIDENTALES O CONSECUENTES. POR LO TANTO, LAS LIMITACIONES Y EXCLUSIONES ANTERIORES PUEDEN NO APLICARSE PARA USTED. ESTA GARANTÍA ES EXCLUSIVA Y SUSTITUYE A TODAS LAS OTRAS GARANTÍAS EXPRESAS, ESCRITAS U ORALES. SEGÚN LO PERMITA LA LEY, MILWAUKEE SE EXIME DE TODA GARANTÍA IMPLÍCITA, INCLUIDOS, A MODO DE EJEMPLO, TODA GARANTÍA IMPLÍCITA DE COMERCIABILIDAD O IDONEIDAD PARA UN USO O PROPÓSITO EN PARTICULAR; EN LA MEDIDA EN QUE DICHA RENUNCIA NO ESTÉ PERMITIDA POR LA LEY, DICHAS GARANTÍAS IMPLÍCITAS ESTÁN LIMITADAS A LA DURACIÓN DE LA GARANTÍA EXPRESA APLICABLE SEGÚN SE DESCRIBE ANTERIORMENTE. ALGUNOS ESTADOS NO PERMITEN LIMITACIONES EN LA DURACIÓN DE UNA GARANTÍA IMPLÍCITA. POR LO TANTO, LA LIMITACIÓN ANTERIOR PUEDE NO APLICARSE PARA USTED. ESTA GARANTÍA LE OTORGA DERECHOS LEGALES ESPECÍFICOS Y TAMBIÉN PUEDE TENER OTROS DERECHOS QUE VARIAN DE ESTADO EN ESTADO.

Esta garantía se aplica a los productos vendidos en los EE. UU. y Canadá.

Consulte 'Service Center Search' (Búsqueda de centro de servicio) en la sección Parts & Services (Piezas y servicios) del sitio web MILWAUKEE, www.milwaukeetool.com o llame al 1.800.SAWDUST (1.800.729.3878) para encontrar su Centro de Servicio de la fábrica de MILWAUKEE más cercano.

PÓLIZA DE GARANTÍA - VALIDA SOLO PARA MÉXICO, AMÉRICA CENTRAL Y EL CARIBE

TECHTRONIC INDUSTRIES., garantiza por 5 años este producto a partir de la fecha original de compra.

Esta garantía cubre cualquier defecto que presenten las piezas, componentes y la mano de obra contenidas en este producto Para América Central y el Caribe se debe confirmar en el Centro de Servicio Autorizado el plazo de la garantía.

Para hacer efectiva la Garantía deberá presentar al Centro de Servicio Autorizado la Póliza de Garantía sellada por el establecimiento en donde adquirió el producto. Si no la tienen, podrá presentar el comprobante de compra original.

Usted puede llamar sin costo al teléfono 01 800 832 1949 o por correo electrónico a la dirección "servicio@ttigroupna.com", para ubicar el Centro de Servicio Autorizado más cercano a su domicilio, en el cual además podrá adquirir partes, componentes, consumibles y accesorios, que usted necesite.

Procedimiento para hacer válida la garantía

Acuda al Centro de Servicio con el producto y la póliza de garantía sellada por el establecimiento donde realizó la compra. Ahí se reemplazará cualquier pieza o componente defectuoso sin cargo alguno para el usuario final. La empresa se hace responsable de los gastos de transportación razonablemente erogados que se deriven del cumplimiento de la presente garantía.

Excepciones

La garantía perderá validez en los siguientes casos:

a) Cuando el producto se hubiese utilizado en condiciones distintas a las normales.

b) Cuando el producto no hubiese sido operado de acuerdo con el instructivo de uso que le acompaña.

c) Cuando el producto hubiese sido alterado o reparado por personas no autorizadas por TECHTRONIC INDUSTRIES.

Nota: Si el cordón de alimentación es dañado, este debe ser reemplazado por el fabricante o por un Centro de Servicio Autorizado para evitar riesgo.

CENTRO DE SERVICIO Y ATENCIÓN A CLIENTES

Av Presidente Mazarik 29 Piso 7, 11570 Chapultepec Morales

Miguel Hidalgo, Distrito Federal, Mexico

Tel. 52 55 4160-3547

IMPORTADO Y COMERCIALIZADO POR:

TECHTRONIC INDUSTRIES MEXICO, S.A. DE C.V.

Av Presidente Mazarik 29 Piso 7, 11570 Chapultepec Morales

Miguel Hidalgo, Distrito Federal, Mexico

Modelo: _____

Fecha de Compra: _____

Sello del Distribuidor: _____

Crown Molding Miter Angles
Angles d'onglet pour une corniche
Ángulos de inglete de la moldura de vértice

(B) Wall Angle Angle de la paroi Ángulo de la pared	38° / 52° Miter/Bevel Angles d'onglet et de biseau Inglete/bisel	45°/45° Miter/Bevel Angles d'onglet et de biseau Inglete/bisel	(B) Wall Angle Angle de la paroi Ángulo de la pared	38° / 52° Miter/Bevel Angles d'onglet et de biseau Inglete/bisel	45°/45° Miter/Bevel Angles d'onglet et de biseau Inglete/bisel
67	42.93/41.08	46.89/36.13	107	24.49/27.95	27.62/24.87
68	42.39/40.79	46.35/35.89	108	24.10/27.59	27.19/24.56
69	41.85/40.50	45.81/35.64	109	23.71/27.23	26.77/24.24
70	41.32/40.20	45.28/35.40	110	23.32/26.87	26.34/23.93
71	40.79/39.90	44.75/35.15	111	22.93/26.51	25.92/23.61
72	40.28/39.61	44.22/34.89	112	22.55/26.15	25.50/23.29
73	39.76/39.30	43.70/34.64	113	22.17/25.78	25.08/22.97
74	39.25/39.00	43.18/34.38	114	21.79/25.42	24.66/22.65
75	38.74/38.69	42.66/34.12	115	21.42/25.05	24.25/22.33
76	38.24/38.39	42.15/33.86	116	21.04/24.68	23.84/22.01
77	37.74/38.08	41.64/33.60	117	20.67/24.31	23.43/21.68
78	37.24/37.76	41.13/33.33	118	20.30/23.94	23.02/21.36
79	36.75/37.45	40.62/33.07	119	19.93/23.57	22.61/21.03
80	36.27/37.13	40.12/32.80	120	19.57/23.20	22.21/20.70
81	35.79/36.81	39.62/32.53	121	19.20/22.83	21.80/20.38
82	35.31/36.49	39.13/32.25	122	18.84/22.46	21.40/20.05
83	34.83/36.17	38.63/31.98	123	18.48/22.09	21.00/19.72
84	34.36/35.85	38.14/31.70	124	18.13/21.71	20.61/19.39
85	33.90/35.52	37.66/31.42	125	17.77/21.34	20.21/19.06
86	33.43/35.19	37.17/31.14	126	17.42/20.96	19.81/18.72
87	32.97/34.86	36.69/30.86	127	17.06/20.59	19.42/18.39
88	32.52/34.53	36.21/30.57	128	16.71/20.21	19.03/18.06
89	32.07/34.20	35.74/30.29	129	16.37/19.83	18.64/17.72
90	31.62/33.86	35.26/30.00	130	16.02/19.45	18.25/17.39
91	31.17/33.53	34.79/29.71	131	15.67/19.07	17.86/17.05
92	30.73/33.19	34.33/29.42	132	15.33/18.69	17.48/16.71
93	30.30/32.85	33.86/29.13	133	14.99/18.31	17.09/16.38
94	29.86/32.51	33.40/28.83	134	14.65/17.93	16.71/16.04
95	29.43/32.17	32.94/28.54	135	14.30/17.55	16.32/15.70
96	29.00/31.82	32.48/28.24	136	13.97/17.17	15.94/15.36
97	28.58/31.48	32.02/27.94	137	13.63/16.79	15.56/15.02
98	28.16/31.13	31.58/27.64	138	13.30/16.40	15.19/14.68
99	27.74/30.78	31.13/27.34	139	12.96/16.02	14.81/14.34
100	27.32/30.43	30.68/27.03	140	12.63/15.64	14.43/14.00
101	26.91/30.08	30.24/26.73	141	12.30/15.25	14.06/13.65
102	26.50/29.73	29.80/26.42	142	11.97/14.87	13.68/13.31
103	26.09/29.38	29.36/26.12	143	11.64/14.48	13.31/12.97
104	25.69/29.02	28.92/25.81	144	11.31/14.09	12.94/12.62
105	25.29/28.67	28.48/25.50	145	10.99/13.71	12.57/12.28
106	24.78/28.31	28.05/25.19	146	10.66/13.32	12.20/11.93

Cutting Compound Miters

The chart below identifies miter and bevel settings for various types of compound miters. Always make trial cuts in scrap material prior to making the cut in the workpiece.

Coupe d'onglets Composés

Le tableau présenté ci dessous détermine les angles d'onglet et de biseau pour les différents types d'onglets composés. Toujours faire des coupes d'essai avec des chutes de bois avant de procéder à la coupe de la pièce à travailler.

Cómo cortar ingletes compuestos

La tabla a continuación identifica las configuraciones de inglete y bisel para diferentes tipos de ingletes compuestos. Siempre debe hacer cortes de prueba en material de desecho antes de hacer un corte en la pieza de trabajo.

Pitch Angle Pendiente		Sides / Nombre de côtés / Lados						
		4	5	6	7	8	9	10
0°	Miter / Onglet / Inglete Bevel / Biseau / Bisel	45.00° 0.00°	36.00° 0.00°	30.00° 0.00°	25.71° 0.00°	22.50° 0.00°	20.00° 0.00°	18.00° 0.00°
5°	Miter / Onglet / Inglete Bevel / Biseau / Bisel	44.89° 3.53°	35.90° 2.94°	29.91° 2.50°	25.63° 2.17°	22.42° 1.91°	19.93° 1.71°	17.94° 1.54°
10°	Miter / Onglet / Inglete Bevel / Biseau / Bisel	44.56° 7.05°	35.58° 5.86°	29.62° 4.98°	25.37° 4.32°	22.19° 3.81°	19.72° 3.40°	17.74° 3.08°
15°	Miter / Onglet / Inglete Bevel / Biseau / Bisel	44.01° 10.55°	35.06° 8.75°	29.15° 7.44°	24.95° 6.45°	21.81° 5.68°	19.37° 5.08°	17.42° 4.59°
20°	Miter / Onglet / Inglete Bevel / Biseau / Bisel	43.22° 14.00°	34.32° 11.60°	28.48° 9.85°	24.35° 8.53°	21.27° 7.52°	18.88° 6.72°	16.98° 6.07°
25°	Miter / Onglet / Inglete Bevel / Biseau / Bisel	42.19° 17.39°	33.36° 14.38°	27.62° 12.20°	23.56° 10.57°	20.58° 9.31°	18.26° 8.31°	16.41° 7.50°
30°	Miter / Onglet / Inglete Bevel / Biseau / Bisel	40.89° 20.70°	32.18° 17.09°	26.57° 14.48°	22.64° 12.53°	19.73° 11.03°	17.50° 9.85°	15.72° 8.89°
35°	Miter / Onglet / Inglete Bevel / Biseau / Bisel	39.32° 23.93°	30.76° 19.70°	25.31° 16.67°	21.53° 14.41°	18.74° 12.68°	16.60° 11.31°	14.90° 10.21°
40°	Miter / Onglet / Inglete Bevel / Biseau / Bisel	37.45° 27.03°	29.10° 22.20°	23.86° 18.75°	20.25° 16.19°	17.60° 14.24°	15.58° 12.70°	13.98° 11.46°
45°	Miter / Onglet / Inglete Bevel / Biseau / Bisel	35.26° 30.00°	27.19° 24.56°	22.21° 20.70°	18.80° 17.87°	16.32° 15.70°	14.43° 14.00°	12.94° 12.62°
50°	Miter / Onglet / Inglete Bevel / Biseau / Bisel	32.73° 32.80°	25.03° 26.76°	20.36° 22.52°	17.20° 19.41°	14.91° 17.05°	13.17° 15.19°	11.80° 13.69°
55°	Miter / Onglet / Inglete Bevel / Biseau / Bisel	29.84° 35.40°	22.62° 28.78°	18.32° 24.18°	15.44° 20.82°	13.36° 18.27°	11.79° 16.27°	10.56° 14.66°
60°	Miter / Onglet / Inglete Bevel / Biseau / Bisel	26.57° 37.76°	19.96° 30.60°	16.10° 25.66°	13.54° 22.07°	11.70° 19.35°	10.31° 17.23°	9.23° 15.52°
65°	Miter / Onglet / Inglete Bevel / Biseau / Bisel	22.91° 39.86°	17.07° 32.19°	13.71° 26.95°	11.50° 23.16°	9.93° 20.29°	8.74° 18.06°	7.82° 16.26°
70°	Miter / Onglet / Inglete Bevel / Biseau / Bisel	18.88° 41.64°	13.95° 33.53°	11.17° 28.02°	9.35° 24.06°	8.06° 21.08°	7.10° 18.75°	6.34° 16.88°
75°	Miter / Onglet / Inglete Bevel / Biseau / Bisel	14.51° 43.08°	10.65° 34.59°	8.50° 28.88°	7.10° 24.78°	6.12° 21.69°	5.38° 19.29°	4.81° 17.37°
80°	Miter / Onglet / Inglete Bevel / Biseau / Bisel	9.85° 44.14°	7.19° 35.37°	5.73° 29.50°	4.78° 25.30°	4.11° 22.14°	3.62° 19.68°	3.23° 17.72°
85°	Miter / Onglet / Inglete Bevel / Biseau / Bisel	4.98° 44.78°	3.62° 35.84°	2.88° 29.87°	2.40° 25.61°	2.07° 22.41°	1.82° 19.92°	1.62° 17.93°
90°	Miter / Onglet / Inglete Bevel / Biseau / Bisel	0.00° 45.00°	0.00° 36.00°	0.00° 30.00°	0.00° 25.71°	0.00° 22.50°	0.00° 20.00°	0.00° 18.00°

MILWAUKEE TOOL
13135 West Lisbon Road
Brookfield, WI 53005 USA

58146955d4
11/15

Printed in China