

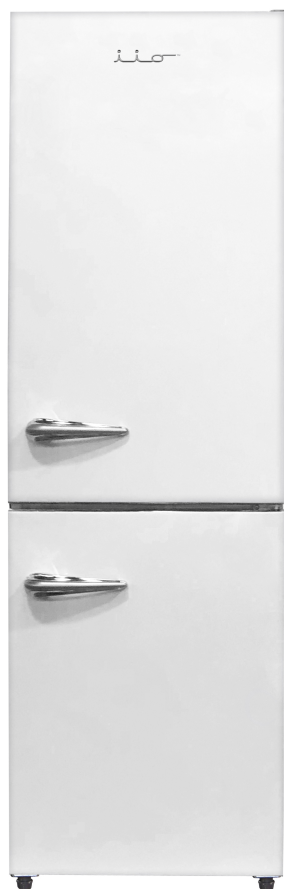


**iiio**™  
turn your space into your place

**RM1**  
**ALBR1372-11**

## 11 cu. ft. frost free refrigerator with bottom freezer

It's cool, it's stylish, it's fun. This modern-retro slim refrigerator, has a surprising amount of adjustable space, left or right-hand door swing, and is very energy efficient. With bright LED illumination, 3 safety glass shelves, a convenient frost-free top fresh food area and bottom freezer, the iio RM1 comes in gorgeous wine red, black or white to fit any decor.



- ### features
- Retro style
  - Frost free
  - Left & Right hinge available
  - Energy Star certified
  - Multi-flow cooling
  - Electronic controls
  - Super fresh zone
  - Fast cool function
  - LED light
  - Roll-out freezer drawers
- ### more features
- Adjustable glass shelves
  - Metal chrome handle
  - Adjustable door shelves
  - Two years parts and labour warranty

- ### specifications
- MODEL:** ALBR1372-11
- OPERATION:** 120V / 60Hz / 1.0A
- FRIDGE SIZE:** 11 cu/ft
- DIMENSIONS:** W x D x H  
23.25" x 24.5" x 73.3"
- WEIGHT:** 145.5 lbs / 66 kg

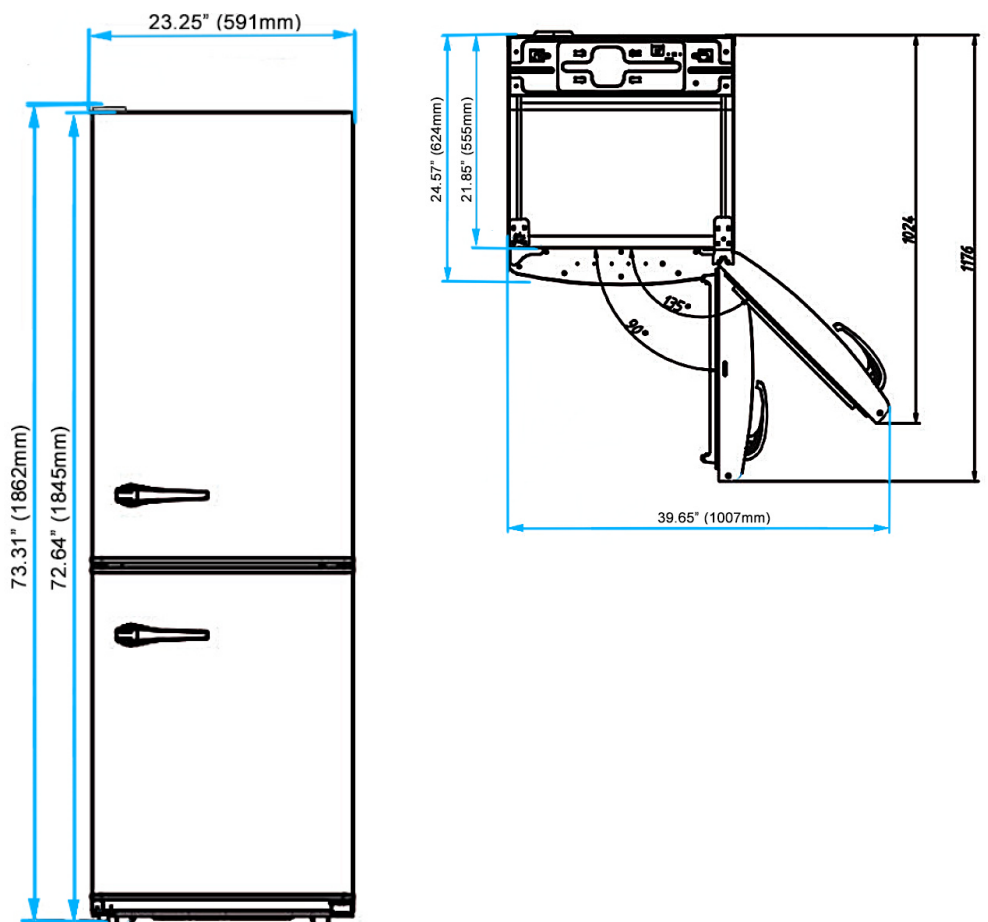
AVAILABLE COLORS



RM1

# 11 cu. ft. frost free refrigerator with bottom freezer

# ALBR1372-11



**iiio care**  
24-month  
protection  
coverage



Most energy  
efficient  
refrigerator  
2020

<b>Cooling System</b>	Frost free	<b>Bottle/Wine Shelf</b>	Yes
<b>Control System</b>	Electronic Control	<b>Compressor</b>	Variable Speed
<b>Total Net Volume</b>	11 cubic feet	<b>Fan Ventilation</b>	Yes
<b>Fresh Food Net Volume</b>	7.7 cubic feet	<b>Cooling Gas</b>	R600a
<b>Freezer Food Net Volume</b>	3.3 cubic feet	<b>Retro Handle</b>	Chrome Metal
<b>Inner Display Type</b>	Digital	<b>Ice Cube Tray</b>	Yes
<b>Shelves</b>	3 Safety Glass	<b>Supply Voltage</b>	120V / 60Hz / 1.0A
<b>Inner Illumination</b>	LED	<b>Noise Level</b>	42 dBA
<b>Freezer Drawers</b>	3	<b>Energy Star Qualified</b>	Yes - Most Efficient 2020
<b>Crispers</b>	1	<b>Annual Energy Consumption</b>	350 kWh/year
<b>Door Shelves</b>	4	<b>Electrical Cord Length</b>	7 feet

Whatever space you have in your life, whether it's a first loft, townhome, Airbnb, cottage or dream house, we will help you find and fill it with truly personal home appliances that you'll love. Delightful design, smart technology, future-friendly efficiency... we'll help you create a place in the world that you're proud to show off, and where you can be you.

Specifications subject to change without notice.

© 2021 iio kitchen. All rights reserved.

RM1

**iiio**™  
turn your space into your place

1-833-446-4461 [www.iioKitchen.com](http://www.iioKitchen.com)