



**Count on it.**

**Parts Catalog**

**TimeMaster 30in**

**Lawn Mower**

Model No. 20200—Serial No. 315000001 and Up



# Ordering Replacement Parts

To order replacement parts, please supply the part number, the quantity, and the description of each part desired.

## Understanding Reference Numbers

Each identified part in an illustration has a reference number. The reference number for a part also appears in the parts list, along with other information about the part.

This catalog uses two special reference number formats, one to indicate parts in a service assembly and another to indicate the quantity of a given part in an illustration.

## Service Assembly Reference Numbers

Parts in service assemblies have reference numbers in the form a:b. The a represents the reference number of the entire service assembly and the b represents a sequential number unique to each part within the service assembly.

For example, a wheel assembly might be identified by reference number 6, the tire by 6:1, the valve by 6:2, and the wheel by 6:3. When you order the assembly identified by reference number 6, you receive all parts identified by reference numbers 6:1, 6:2, and 6:3. However, you may also order any part individually. Reference numbers of this type appear in illustration and in parts lists.

## Reference Numbers Indicating Quantity

In an illustration, if a reference number indicates more than one part, the reference number has the form nX y. The n represents the quantity of the part, the X is the multiplication symbol, and the y represents the reference number.

For example, in an illustration, the reference number 2X 37 means that two of the parts identified by reference number 37 are indicated.

# List of Abbreviations

**AR:** as required

**ASM:** assembly

**BBC:** blade brake control

**BHTF:** button head thread forming

**CARR:** carriage

**CCW:** counter clockwise

**CW:** clockwise

**DEG:** degrees

**DPA:** Dual Point Adjustment

**ECM:** electronic control module

**EXT:** external

**FH:** flat head

**GA:** gauge

**HD:** heavy-duty

**HF:** hex flange

**HH:** hex head

**HHF:** hex head flange

**HHFTF:** hex head flange thread forming

**HJ:** hex jam

**HLH:** hex lag head

**HOC:** height-of-cut

**HP:** high pressure

**HSBH:** hex socket button head

**HSFH:** hex socket flat head

**HSH:** hex socket head

**HWH:** hex washer head

**HWHTF:** hex washer head thread forming

**HYD:** hydraulic

**LH:** left hand

**LP:** low pressure

**LPG:** Liquefied Petroleum Gas

**NI:** nylon insert

**NPTF:** national pipe thread fine

**PFH:** phillips flat head

**PPH:** phillips pan head

**PPHTF:** phillips pan head thread forming

**PRH:** phillips round head

**PTH:** phillips truss head

**PTO:** power-take-off

**RH:** right hand

**ROPS:** roll-over protection system

**RRB:** rear roller brush

**SFH:** slotted fillister head

**SHH:** slotted hex head

**SHWH:** slotted hex washer head

**SPH:** slotted pan head

**SQH:** square head

**SRH:** slotted round head

**STD:** standard

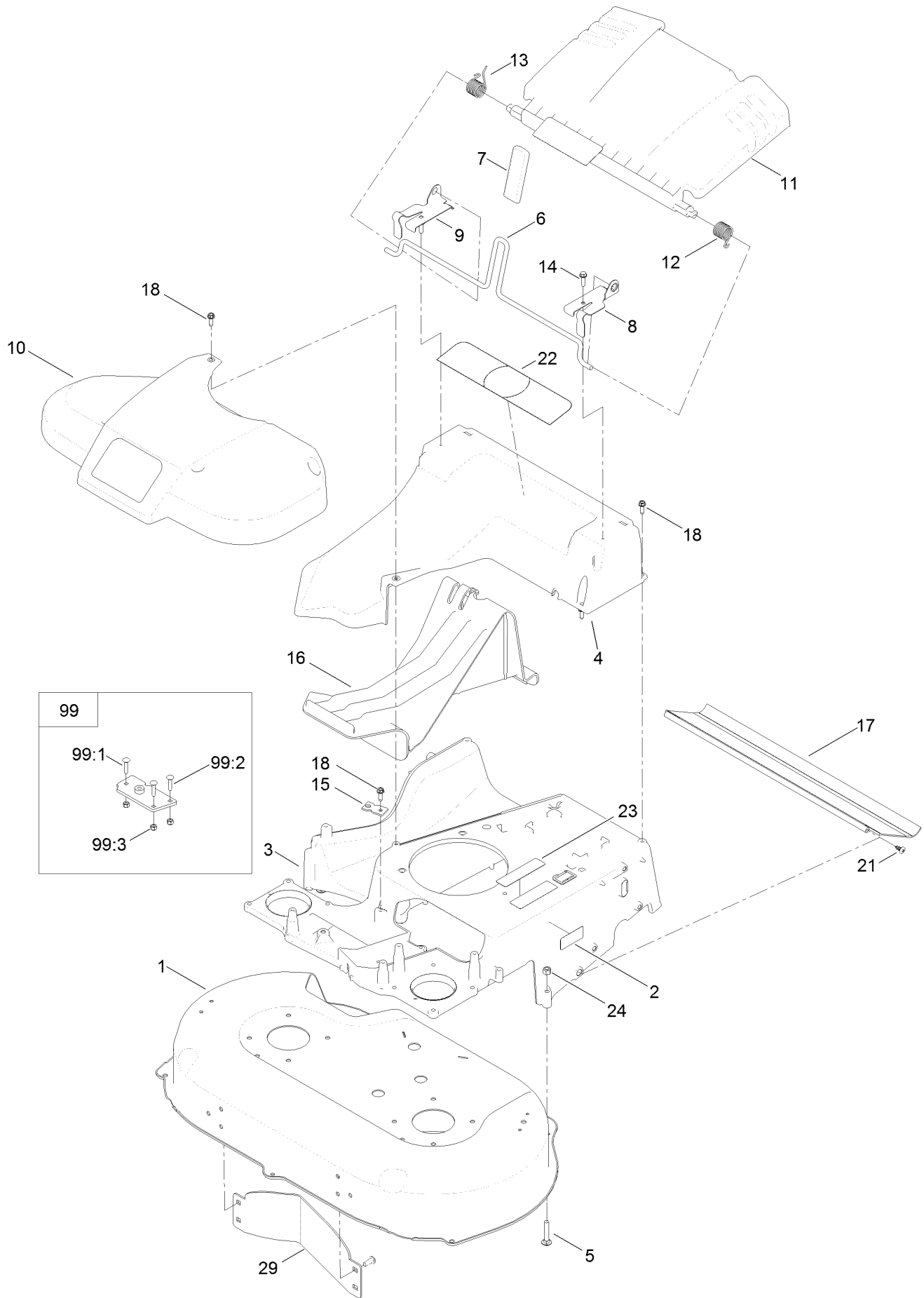
**TAP:** self tapping

**TTH:** torx truss head

# Contents

|   |    |
|---|----|
| Deck and Frame Assembly . . . . .                             | 4  |
| Belt, Spindle and Blade Assembly . . . . .                    | 6  |
| Side Discharge Chute Assembly . . . . .                       | 8  |
| Bag Assembly . . . . .  | 10 |
| Engine and Pulley Assembly . . . . .                          | 12 |
| Front Wheel and Axle Assembly . . . . .                       | 14 |
| Transmission, Rear Wheel and Height-of-Cut Assembly . . . . . | 16 |
| Handle Assembly . . . . .                                     | 18 |
| Attachments and Accessories . . . . .                         | 20 |

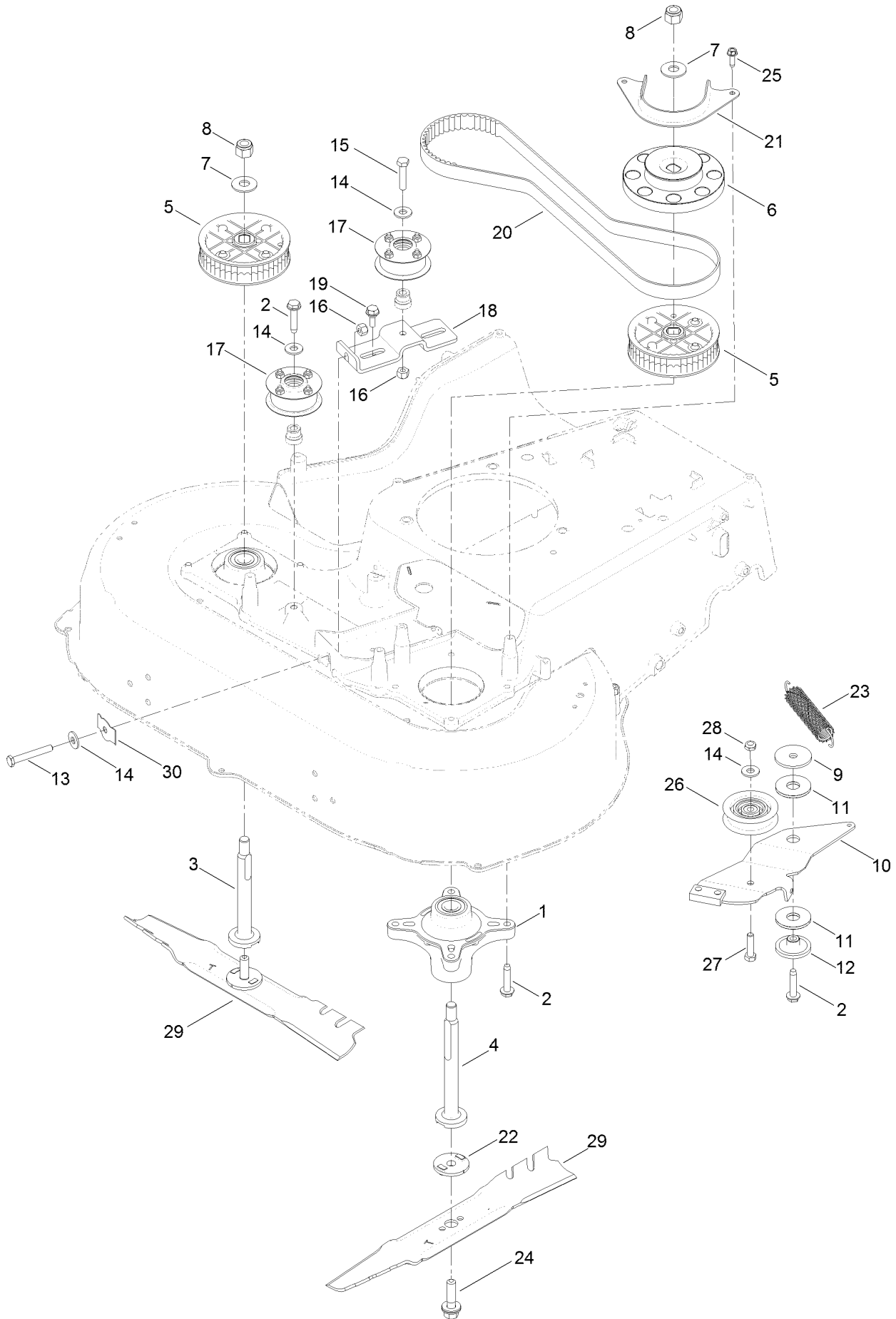
# Deck and Frame Assembly



## Deck and Frame Assembly (continued)

| <i>Ref.</i> | <i>Part Number</i> | <i>Qty.</i> | <i>Description</i>             | <i>Ref.</i> | <i>Part Number</i> | <i>Qty.</i> | <i>Description</i>        |
|-------------|--------------------|-------------|--------------------------------|-------------|--------------------|-------------|---------------------------|
| 1           | 125-5087           | 1           | Housing ASM                    | 14          | 46-8091            | 2           | Screw-HWH                 |
| 2           | 121-5684           | 1           | Decal-Location, Service Dealer | 15          | 107-7497           | 1           | Bracket-Cable, Traction   |
| 3           | 121-9198-01        | 1           | Frame                          | 16          | 120-5225           | 1           | Plug-Mulch                |
| 4           | 120-3336           | 1           | Chute                          | 17          | 120-6241           | 1           | Shield-Trailing           |
| 5           | 3230-5             | 2           | Screw-CARR                     | 18          | 49-2040            | 9           | Screw-HWHTF               |
| 6           | 120-3344           | 1           | Rod-Release, Handle            | 21          | 117-1092           | 2           | Screw-PTH                 |
| 7           | 120-7018           | 1           | Grip-Lever                     | 22          | 121-2398           | 1           | Decal-Position, Handle    |
| 8           | 121-9114           | 1           | Bracket-Door, LH               | 23          | 117-2718           | 1           | Decal-Arrester, Spark     |
| 9           | 121-9115           | 1           | Bracket-Door, RH               | 24          | 3296-29            | 2           | Nut-Lock, NI              |
| 10          | 120-7049           | 1           | Belt Cover ASM                 | 29          | 130-2352-01        | 1           | Baffle-Control            |
| 11          | 120-7048           | 1           | Rear Deflector ASM             | 99          | 125-5072           | 1           | Frame Plate Kit (Service) |
| 12          | 115-2859           | 1           | Spring-Torsion                 | 99:1        | 125-2542           | 1           | Plate Frame ASM           |
| 13          | 114-7924           | 1           | Spring-Torsion                 | 99:2        | 3229-3             | 3           | Screw-CARR                |
|             |                    |             |                                | 99:3        | 3296-42            | 3           | Nut-Lock, NI              |

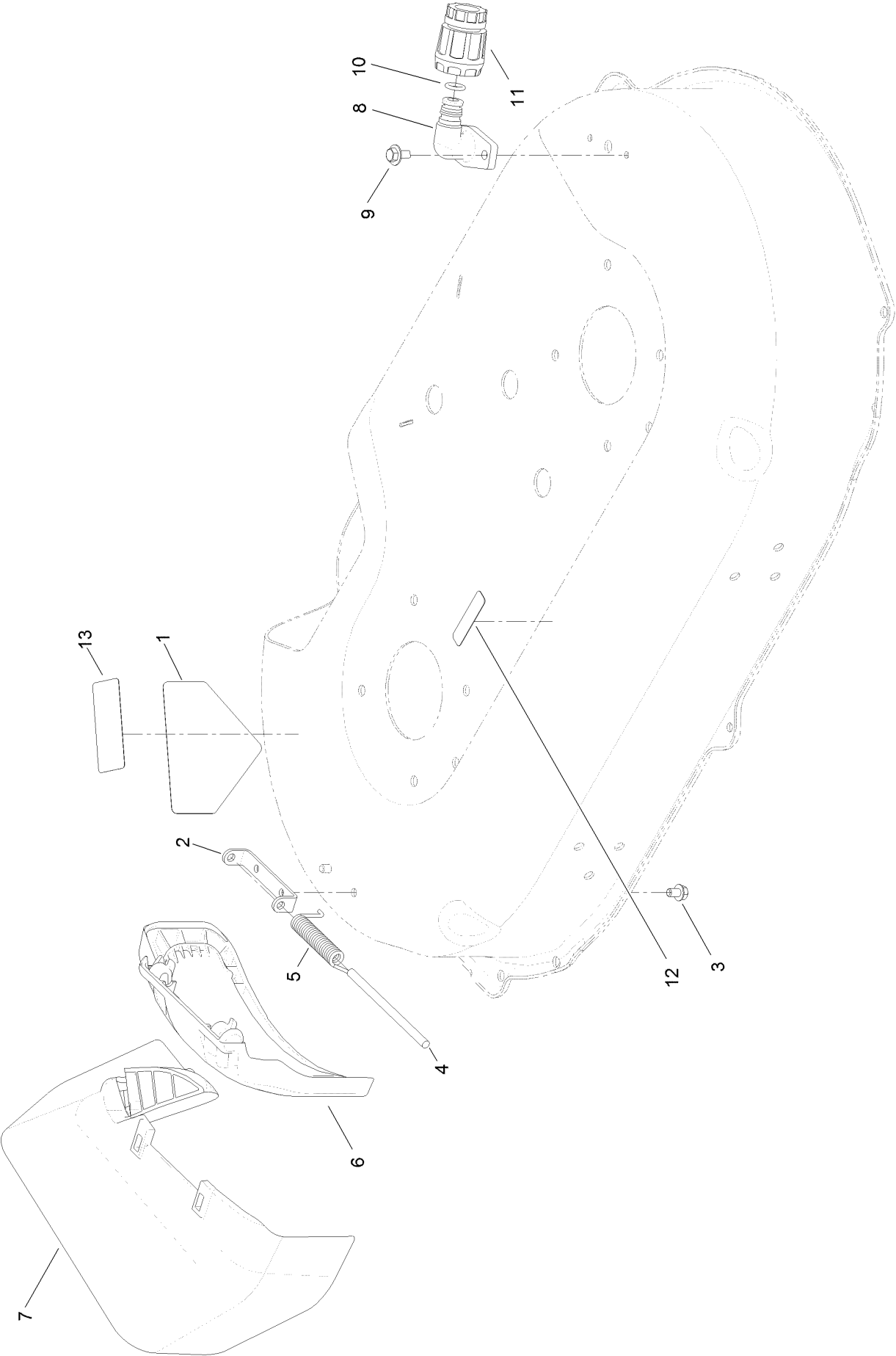
# Belt, Spindle and Blade Assembly



## Belt, Spindle and Blade Assembly (continued)

| <i>Ref.</i> | <i>Part Number</i> | <i>Qty.</i> | <i>Description</i>         | <i>Ref.</i> | <i>Part Number</i> | <i>Qty.</i> | <i>Description</i>      |
|-------------|--------------------|-------------|----------------------------|-------------|--------------------|-------------|-------------------------|
| 1           | 120-6234           | 2           | Spindle ASM                | 16          | 3296-29            | 2           | Nut-Lock, NI            |
| 2           | 32144-57           | 10          | Screw                      | 17          | 131-4529           | 2           | Pulley Kit              |
| 3           | 120-5234           | 1           | Shaft-Spindle              | 18          | 120-3348           | 1           | Bracket-Idler           |
| 4           | 120-5235           | 1           | Shaft-Spindle              | 19          | 120-7024           | 2           | Screw-Shoulder, HHF     |
| 5           | 121-9100           | 2           | Sprocket                   | 20          | 120-3335           | 1           | Belt-Synchronous        |
| 6           | 130-6664           | 1           | Pulley-Brake, Spindle      | 21          | 120-5245-03        | 1           | Guide-Belt, Spindle     |
| 7           | 109-9505           | 2           | Washer-Spring              | 22          | 120-5236           | 2           | Adapter-Blade           |
| 8           | 3296-19            | 2           | Nut-Hex                    | 23          | 121-5808           | 1           | Spring-Extension, Brake |
| 9           | 63-7400            | 1           | Washer-Rebound             | 24          | 125-2466           | 2           | Bolt-Blade              |
| 10          | 120-6242           | 1           | Arm-Brake                  | 25          | 49-2040            | 2           | Screw-HWHTF             |
| 11          | 121-2305           | 2           | Washer-Friction, Composite | 26          | 120-7082           | 1           | Pulley-Idler            |
| 12          | 120-9490           | 1           | Spacer                     | 27          | 322-6              | 1           | Screw-HH                |
| 13          | 9114524            | 1           | Bolt-TAP, HH               | 28          | 3296-47            | 1           | Nut-Lock, NI            |
| 14          | 3256-3             | 4           | Washer-Flat                | 29          | 116-6358-03        | 2           | Blade-Rotary            |
| 15          | 322-7              | 1           | Screw-HH                   | 30          | 121-2336           | 1           | Spring-Flat             |

# Side Discharge Chute Assembly

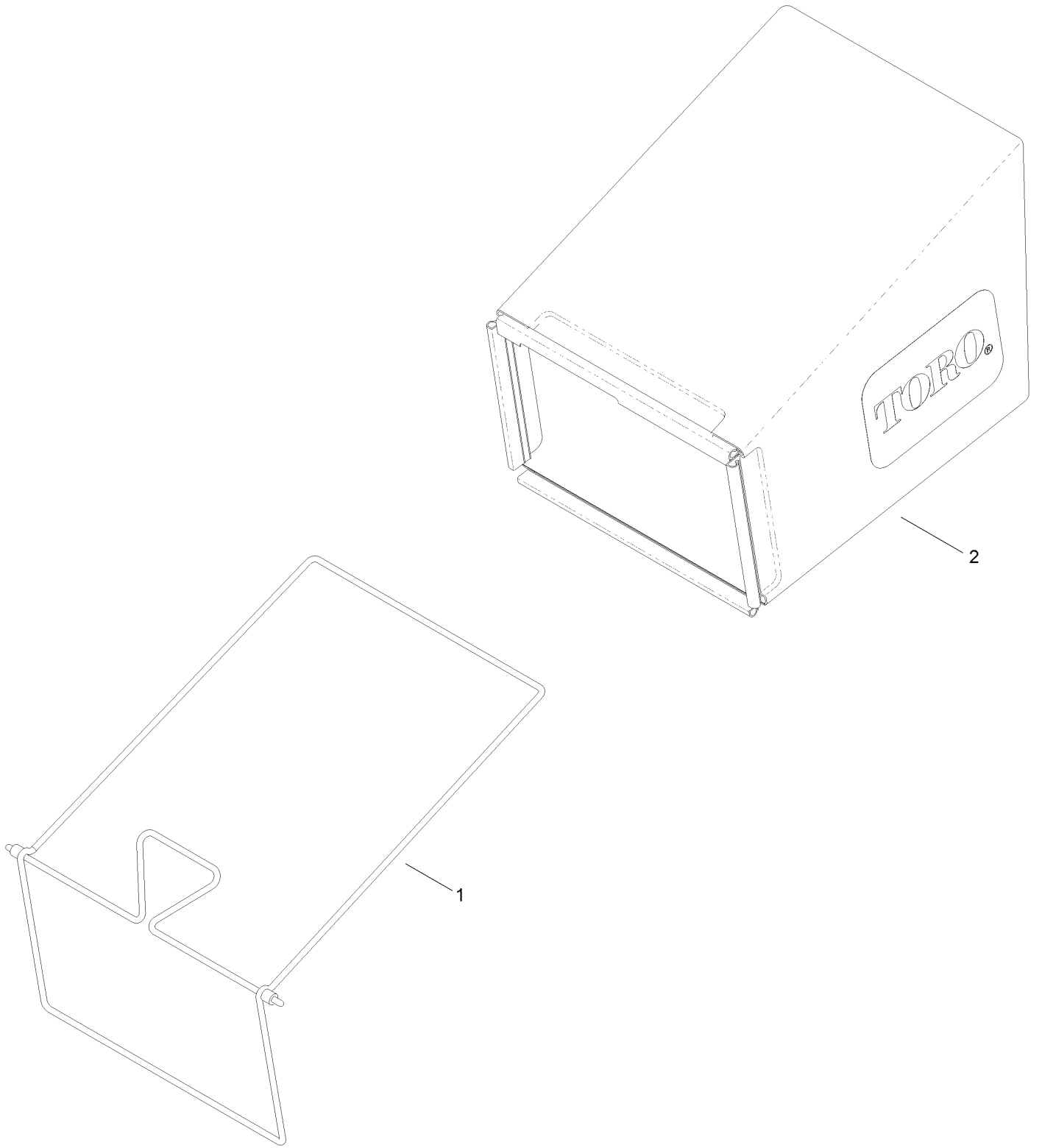




## Side Discharge Chute Assembly (continued)

| <i>Ref.</i> | <i>Part Number</i> | <i>Qty.</i> | <i>Description</i>    | <i>Ref.</i> | <i>Part Number</i> | <i>Qty.</i> | <i>Description</i>    |
|-------------|--------------------|-------------|-----------------------|-------------|--------------------|-------------|-----------------------|
| 1           | 94-8072            | 1           | Decal-Danger          | 8           | 95-2747            | 1           | Fitting-Washout       |
| 2           | 112-6416           | 1           | Bracket-Cover         | 9           | 46-8560            | 2           | Screw-HHFTF           |
| 3           | 99-8445            | 2           | Screw-HWH             | 10          | 46-6290            | 1           | O-Ring                |
| 4           | 99-5291            | 1           | Rod-Cover             | 11          | 95-3270            | 1           | Connector-Hose        |
| 5           | 127-0721           | 1           | Spring-Torsion, Cover | 12          | 120-9570           | 1           | Decal-Warning         |
| 6           | 125-5091           | 1           | Deflector-Side        | 13          | 125-5092           | 1           | Decal-Placement, Foot |
| 7           | 121-2319           | 1           | Chute-Discharge, Side |             |                    |             |                       |

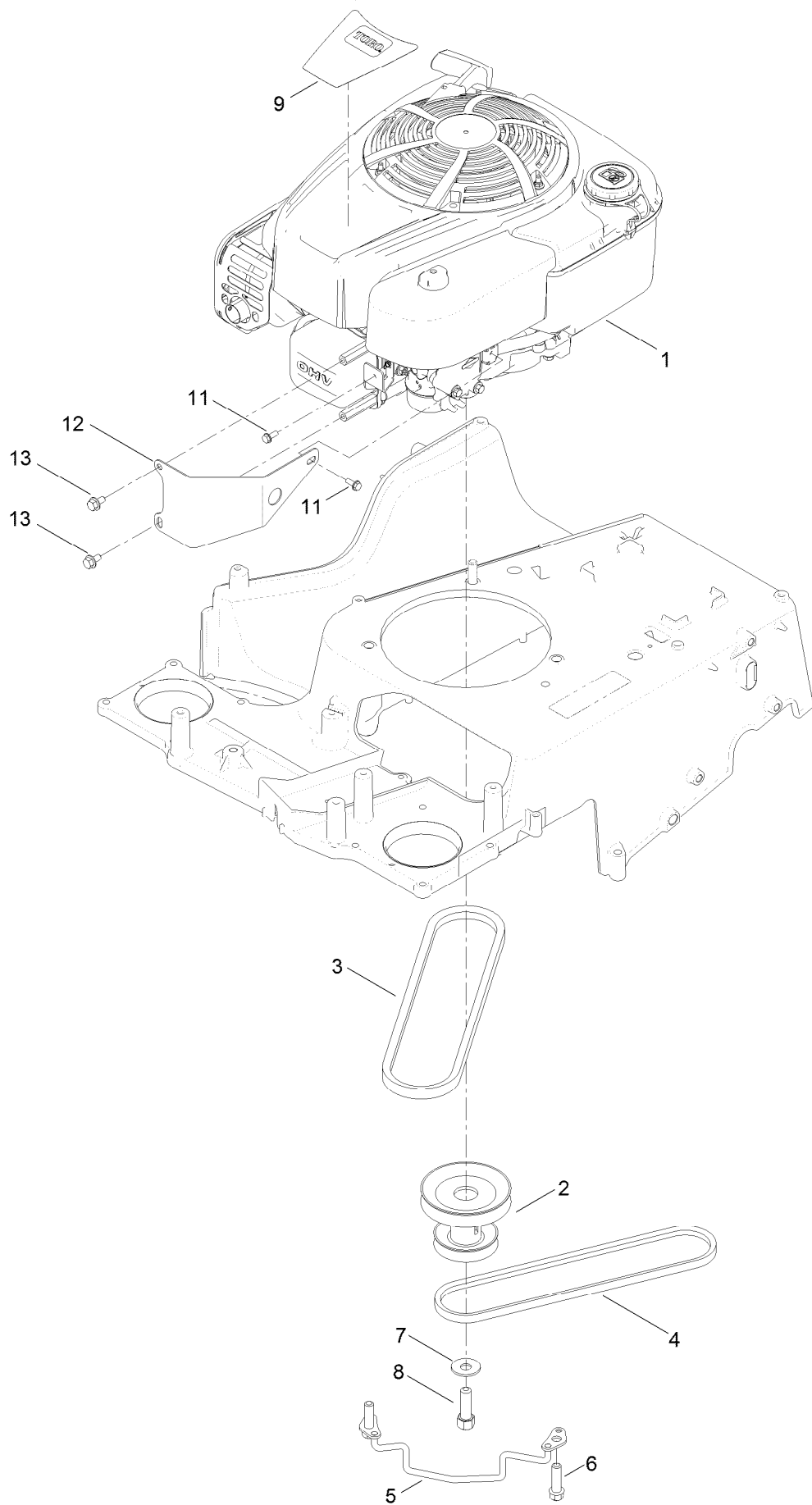
# Bag Assembly



## Bag Assembly (continued)

| <i>Ref.</i> | <i>Part Number</i> | <i>Qty.</i> | <i>Description</i> |
|-------------|--------------------|-------------|--------------------|
| 1           | 121-5766-03        | 1           | Frame-Bag          |
| 2           | 121-5770           | 1           | Bag-Grass          |

# Engine and Pulley Assembly



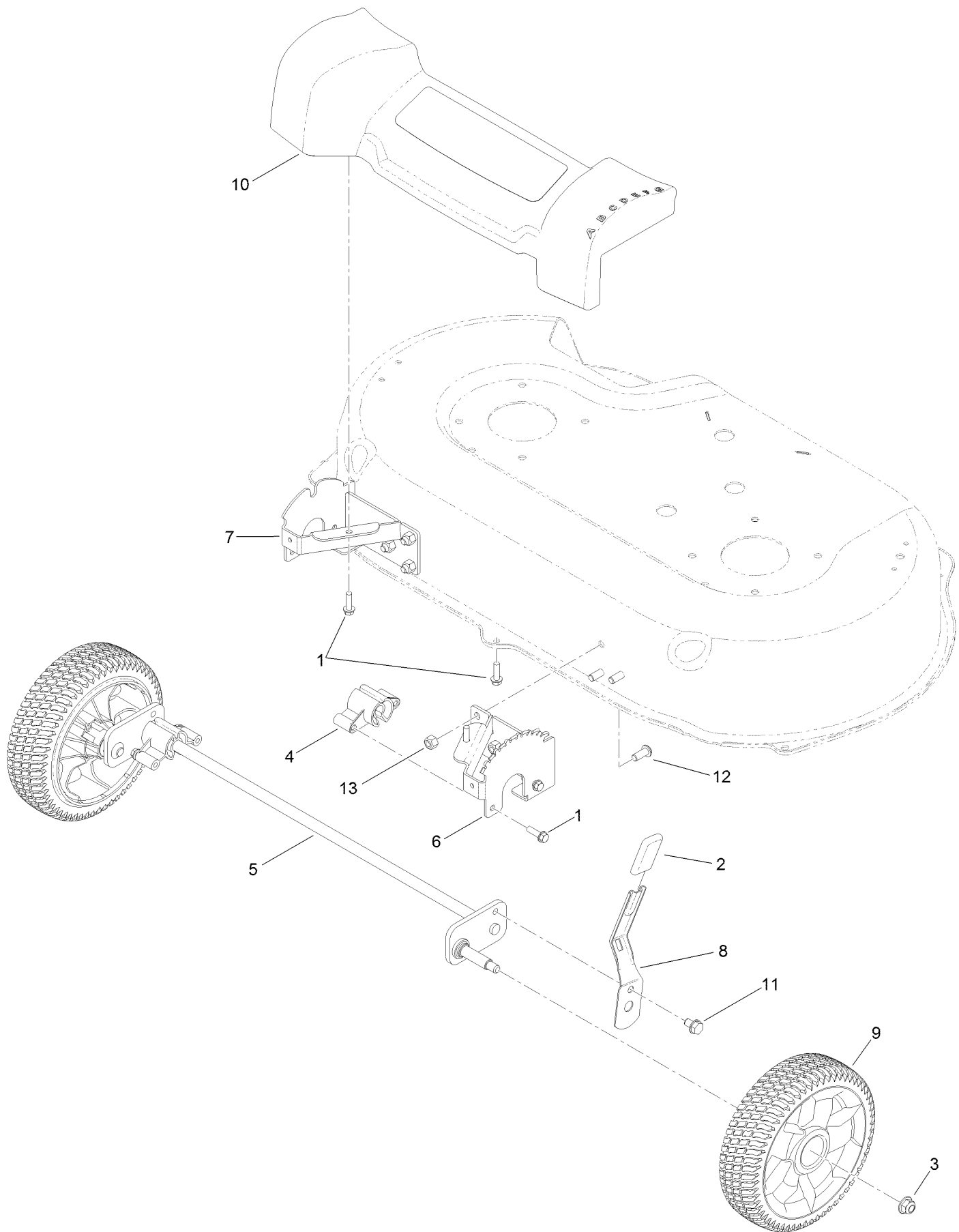
## Engine and Pulley Assembly (continued)

| <i>Ref.</i> | <i>Part Number</i> | <i>Qty.</i> | <i>Description</i>                | <i>Ref.</i> | <i>Part Number</i> | <i>Qty.</i> | <i>Description</i> |
|-------------|--------------------|-------------|-----------------------------------|-------------|--------------------|-------------|--------------------|
| 1           |                    | 1           | Engine-Briggs,<br>121S170127F1 ●■ | 7           | 3290-465           | 1           | Washer-Belleville  |
| 2           | 120-3333           | 1           | Pulley-Engine                     | 8           | 26-0671            | 1           | Screw-HH           |
| 3           | 121-5765           | 1           | V-Belt                            | 9           | 130-2358           | 1           | Decal-Shroud       |
| 4           | 120-9470           | 1           | V-Belt, Traction                  | 11          | 32144-2            | 2           | Screw-Taptite      |
| 5           | 120-7077           | 1           | Guide-Belt                        | 12          | 131-0889-03        | 1           | Guard-Engine       |
| 6           | 95-1727            | 3           | Screw-Taptite                     | 13          | 126-2713           | 2           | Screw-HHF          |

● Not serviced separately

■ Obtain parts from [www.briggsandstratton.com](http://www.briggsandstratton.com)

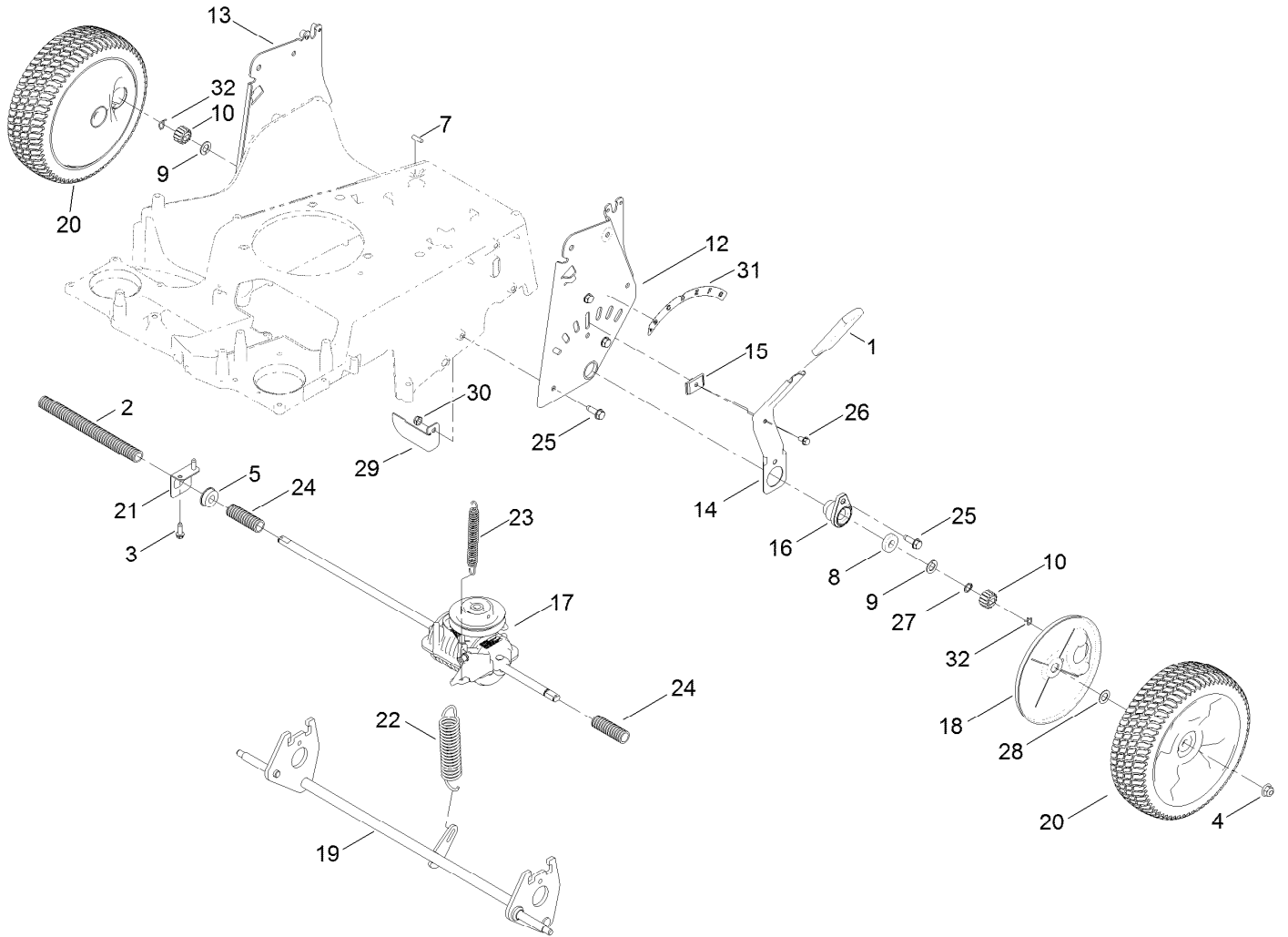
# Front Wheel and Axle Assembly



## Front Wheel and Axle Assembly (continued)

| <i>Ref.</i> | <i>Part Number</i> | <i>Qty.</i> | <i>Description</i>   | <i>Ref.</i> | <i>Part Number</i> | <i>Qty.</i> | <i>Description</i> |
|-------------|--------------------|-------------|----------------------|-------------|--------------------|-------------|--------------------|
| 1           | 46-8091            | 7           | Screw-HWH            | 8           | 120-7043           | 1           | Arm-Spring         |
| 2           | 120-9535           | 1           | Grip-Lever           | 9           | 125-2510           | 2           | 8 Inch Wheel ASM   |
| 3           | 104-8301           | 2           | Nut-Flange, NI       | 10          | 125-5027           | 1           | Front Cover ASM    |
| 4           | 125-2495           | 2           | Bushing-Pivot, Front | 11          | 700057             | 1           | Screw-HWH          |
| 5           | 125-5061           | 1           | Axle-Front           | 12          | 3274-55            | 6           | Screw-HSBH         |
| 6           | 120-7037-03        | 1           | Plate-HOC, LH        | 13          | 3296-29            | 6           | Nut-Lock, NI       |
| 7           | 120-7038-03        | 1           | Plate-HOC, RH        |             |                    |             |                    |

# Transmission, Rear Wheel and Height-of-Cut Assembly





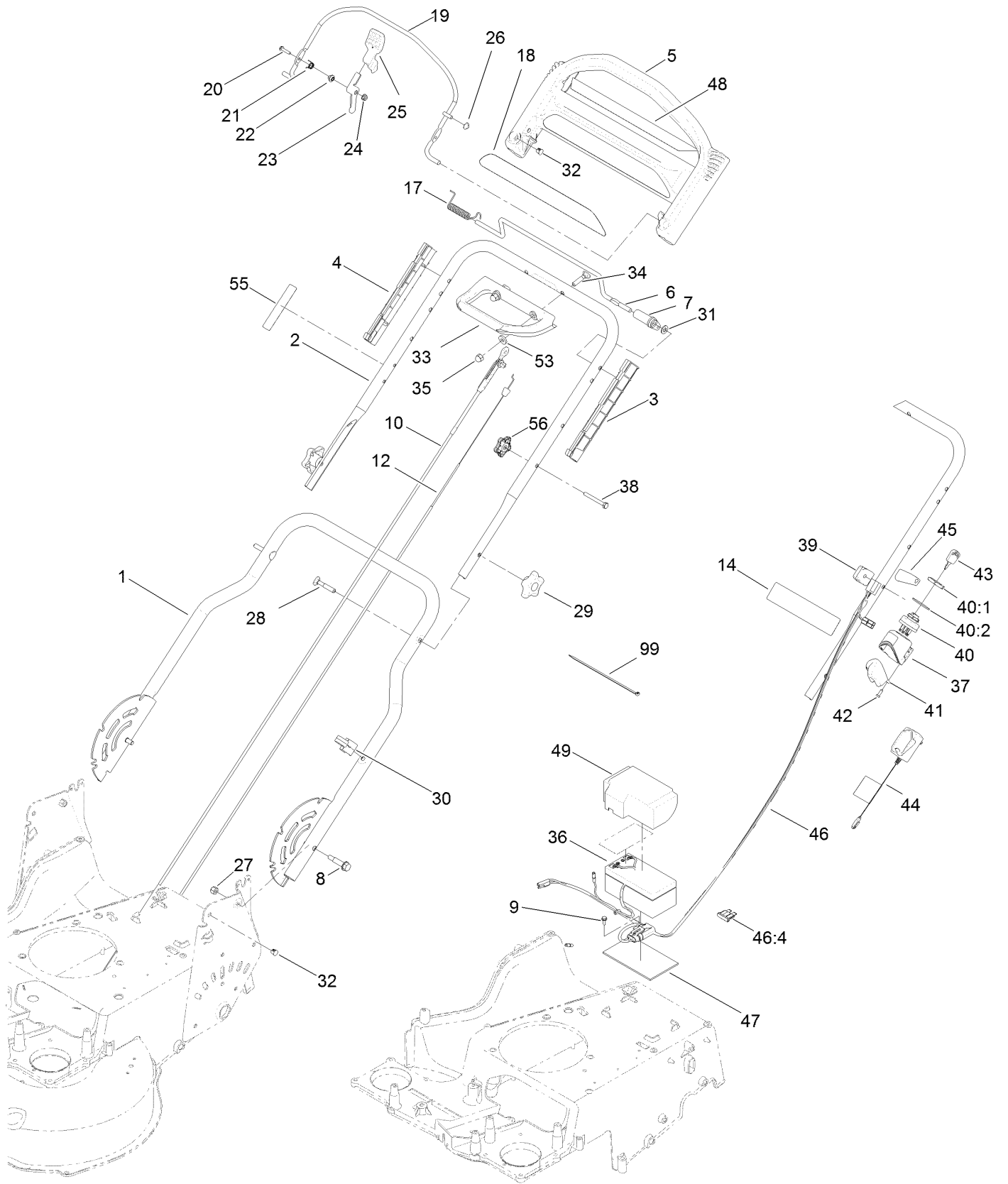
## Transmission, Rear Wheel and Height-of-Cut Assembly (continued)

| <i>Ref.</i> | <i>Part Number</i> | <i>Qty.</i> | <i>Description</i>    | <i>Ref.</i> | <i>Part Number</i> | <i>Qty.</i> | <i>Description</i>        |
|-------------|--------------------|-------------|-----------------------|-------------|--------------------|-------------|---------------------------|
| 1           | 1-633295           | 1           | Grip-Lever, Lift      | 17:1:1      | 130-2370           | 1           | Transmission Pulley Kit ● |
| 2           | 121-5799           | 1           | Conduit-Convolute     | 18          | 120-6233           | 2           | Cover-Gear                |
| 3           | 49-2040            | 2           | Screw-HWHTF           | 19          | 131-0815           | 1           | Axle-Rear                 |
| 4           | 104-8301           | 2           | Nut-Flange, NI        | 20          | 125-2509           | 2           | 10 Inch Wheel Gear ASM    |
| 5           | 104-8699           | 1           | Bearing-Ball          | 21          | 120-7008           | 1           | Mount-Bearing             |
| 7           | 106-5681           | 1           | Pin-Stop              | 22          | 120-7026           | 1           | Spring-Extension          |
| 8           | 109-8020           | 2           | Bearing-Ball          | 23          | 120-7027           | 1           | Spring-Extension          |
| 9           | 110-7191           | 2           | Washer-Thrust         | 24          | 121-5800           | 2           | Conduit-Convolute         |
| 10          | 110-9417           | 2           | Gear-Pinion, 15T      | 25          | 701243             | 8           | Screw-HWHTF               |
| 12          | 120-3342-03        | 1           | Plate-HOC, LH         | 26          | 32144-4            | 1           | Screw-HWH                 |
| 13          | 120-3343-03        | 1           | Plate-HOC, RH         | 27          | 32151-61           | 1           | Ring-Retaining            |
| 14          | 120-5208           | 1           | Arm-Spring, Rear      | 28          | 36-4780            | 2           | Washer-Plain              |
| 15          | 120-5209           | 1           | Key-Springarm         | 29          | 121-5821           | 1           | Bracket-Stop              |
| 16          | 120-5210           | 2           | Retainer-Bearing      | 30          | 3296-47            | 1           | Nut-Lock, NI              |
| 17          | 131-9665           | 1           | Transmission Kit      | 31          | 125-2497           | 1           | Decal-HOC, Rear           |
| 17:1        |                    | 1           | Transmission-Mv502 ●■ | 32          | 130-2369           | 2           | Pin-Snap                  |

● Not illustrated

■ Not serviced separately

# Handle Assembly



## Handle Assembly (continued)

| <i>Ref.</i> | <i>Part Number</i> | <i>Qty.</i> | <i>Description</i>    | <i>Ref.</i> | <i>Part Number</i> | <i>Qty.</i> | <i>Description</i>      |
|-------------|--------------------|-------------|-----------------------|-------------|--------------------|-------------|-------------------------|
| 1           | 120-5204-05        | 1           | Handle-Lower          | 31          | 130-2343           | 1           | Spacer                  |
| 2           | 121-5783-05        | 1           | Handle-Upper          | 32          | 104-9368           | 3           | Plug-Dome               |
| 3           | 105-6842           | 1           | Guide-LH              | 33          | 120-7087           | 1           | Handle-Assist, Traction |
| 4           | 105-6841           | 1           | Guide-RH              | 34          | 130-2356           | 2           | Screw-Handle, Lock      |
| 5           | 104-8678           | 1           | Handle-Control        | 35          | 130-2341           | 2           | Nut-Acorn               |
| 6           | 99-1588            | 1           | Bar-Control, Traction | 36          | 106-8397           | 1           | Battery-Wet             |
| 7           | 127-6842           | 1           | Lever-Traction        | 37          | 108-3795           | 1           | Housing-Switch, Key     |
| 8           | 120-7025           | 2           | Bolt-Shoulder, HHF    | 38          | 321-50             | 1           | Screw-HH                |
| 9           | 32144-1            | 1           | Screw-Taptite         | 39          | 92-7729            | 1           | Anchor-Cable, Upper     |
| 10          | 120-6243           | 1           | Cable-Brake, BBC      | 40          | 23-0660            | 1           | Switch-Starter          |
| 12          | 127-6867           | 1           | Cable-Traction, Rwd   | 40:1        | 218-461            | 1           | Nut-HH                  |
| 14          | 104-7953           | 1           | Decal                 | 40:2        | 3254-5             | 1           | Washer-Tooth, Internal  |
| 17          | 121-9118           | 1           | Spring-Torsion        | 41          | 108-3796           | 1           | Cover-Swch              |
| 18          | 117-1019           | 1           | Decal                 | 42          | 32144-111          | 2           | Screw-PPH               |
| 19          | 108-3788-03        | 1           | Bail-Brake            | 43          | 700918             | 1           | Key                     |
| 20          | 106-9169           | 1           | Screw-HWH             | 44          | 114-1588           | 1           | Charger-Battery         |
| 21          | 107-7462           | 1           | Spring-Torsion        | 45          | 108-9751           | 1           | Decal-Switch, Ignition  |
| 22          | 107-7463           | 1           | Spacer                | 46          | 117-0070           | 1           | Harness-Wire            |
| 23          | 106-6802           | 1           | Lever                 | 46:4        | 99-6124            | 1           | Fuse-40 Amp             |
| 24          | 32128-17           | 1           | Nut-Lock, Flange      | 47          | 108-0987           | 1           | Foam-Battery            |
| 25          | 112-8884           | 1           | Knob-BBC              | 48          | 121-2399           | 1           | Decal-Assist, Traction  |
| 26          | 3290-337           | 1           | Nut-Speed             | 49          | 120-3329           | 1           | Cover-Battery           |
| 27          | 3296-29            | 2           | Nut-Lock, NI          | 53          | 3256-23            | 2           | Washer-Flat             |
| 28          | 92-2260            | 2           | Screw-Handle          | 55          | 131-0894           | 1           | Decal-Traction, Adjust  |
| 29          | 117-5976           | 2           | Knob-Handle           | 56          | 131-0897           | 1           | Knob-Handle, Locking    |
| 30          | 114-7988           | 1           | Guide-Cable           | 99          | 614249             | 2           | Tie-Cable               |

# Attachments and Accessories

## For 20200 TimeMaster 30in Lawn Mower

| <b>Product Name</b>                     | <b>Model/Part</b> |
|---|-------------------|
| Fuel Stabilizer .05 oz .....            | 130-2393          |
| Replacement Blade Kit .....             | 20120P            |
| HI-LIFT REPL BLADE KIT TIMEMASTER.....  | 20122P            |
| Lawn Striping Kit with 30in Roller..... | 20602             |
| Mower Cover .....                       | 490-7461          |

**Notes:**

**Notes:**

**Notes:**



**Count on it.**