



KUUBEL XL-T

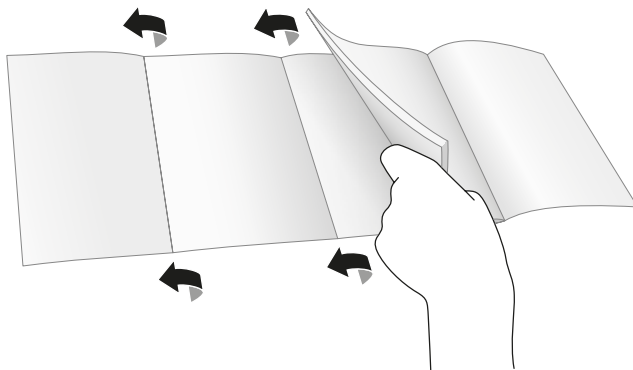
US **USER MANUAL**
FR **MANUEL D'UTILISATION**
ES **MANUAL DEL USUARIO**

venta[®]
AIR-CRAFTING SINCE 1981

READ AND SAVE THESE IMPORTANT INSTRUCTIONS
LIRE ET CONSERVER CES INSTRUCTIONS IMPORTANTES
LEA Y CONSERVE ESTAS IMPORTANTES INSTRUCCIONES



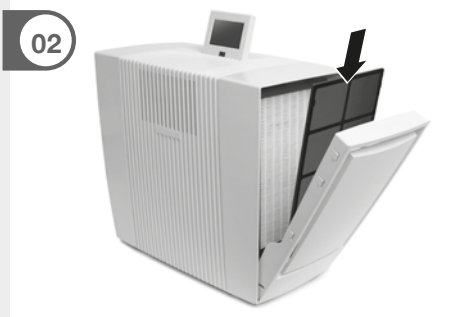
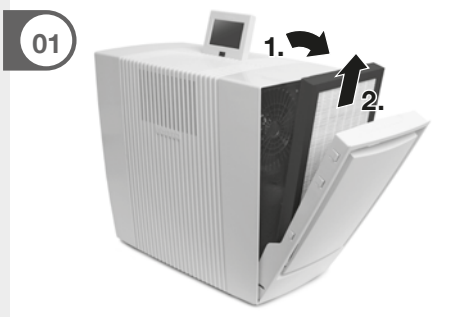
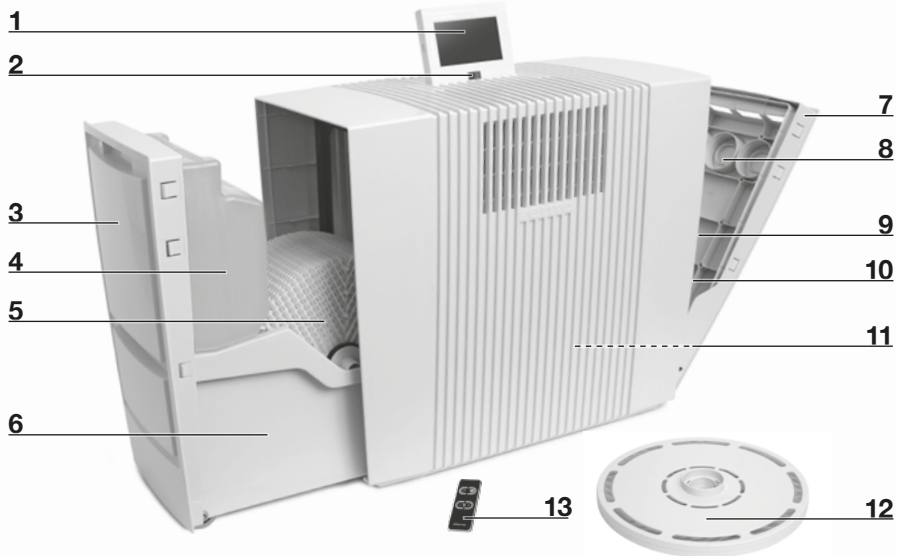
Made in Germany
Premium Quality

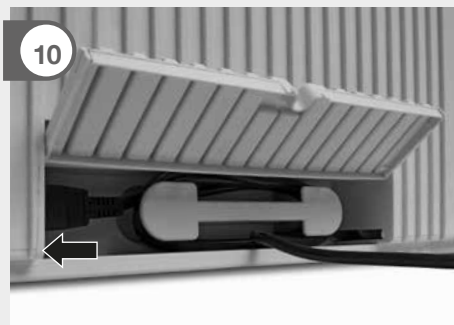
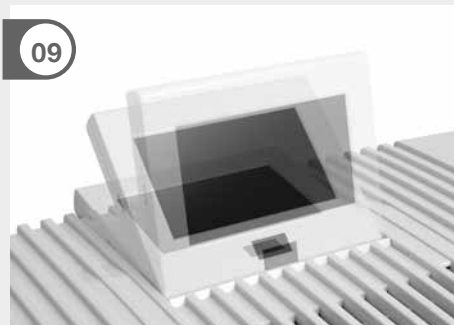
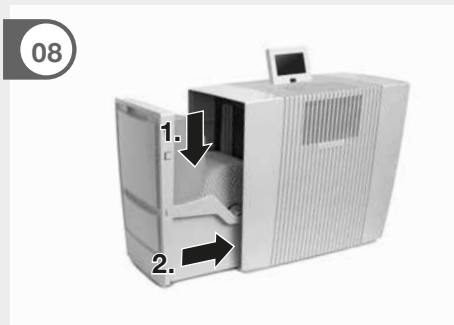
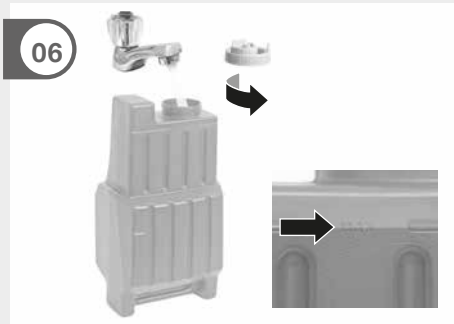
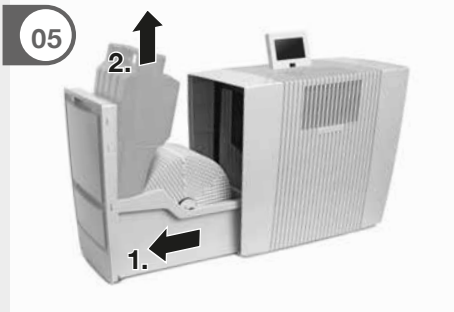


US Please note the fold-out pages! Page 1

F Respecter les consignes des pages dépliantes ! Page 1

ES ¡Tenga en cuenta las páginas desplegadas! Página 1





A



B



C



D



THANK YOU!

We are convinced that the Venta Kuubel XL-T will exceed your expectations and we hope you enjoy our product.

Please read these operating instructions completely, keep them for later use, and follow the safety instructions.

TABLE OF CONTENTS

Scope of delivery	1
Symbols	1
Safety instructions	2
Overview	6
Putting into operation	7
Functions & settings	8
WiFi setup	9
Venta app	10
Cleaning & maintenance	11
Troubleshooting	12
Technical data	12
Accessories	13
Venta Aromatherapy	13
About your privacy	13
Service Option: Venta Airwasher	14
Warranty	14

SCOPE OF DELIVERY

- 1 x** Venta Purifier and Humidifier Kuubel XL-T
- 1 x** VENTAcel filter (pre-assembled)
- 1 x** Pre-filter (pre-assembled)
- 1 x** Hygiene Disc (pre-assembled)
- 1 x** Remote control

If any parts are missing or damaged, please contact

Venta Air Technologies Inc.
at (888) 333 8218 or
www.venta-usa.com

SYMBOLS



Please read these operating instructions carefully and keep them for later use.



Attention! Danger of accident and injury as well as property damage possible.



Do not use the appliance outdoors or in damp locations.



READ ALL INSTRUCTIONS: IMPORTANT SAFEGUARDS | WARNING!

- It is important that you read, fully understand, and observe the following safety precautions and warnings. Read these instructions periodically. Careless or improper use of your Venta may cause serious or even fatal injury. Keep this user manual with your appliance. Be sure anyone using your Venta understands the information contained in this manual.
- Children should not be allowed to operate the appliance.
- Always switch the motor off and unplug the power cord from the AC outlet before refilling it with water or Venta Cleaner, or before moving, or handling the unit.
- Plug into 120V AC outlet only. Do not use your Venta if the power cord or plug is damaged. Unplug a damaged power cord immediately from the AC outlet and let it replace only by Venta. Do not replace a damaged power cord by yourself.
- Do not attempt any repair work. Maintenance or servicing the appliance, other than described in this user manual, should only be done by Venta. Any modification to your appliance is extremely dangerous and voids your warranty.
- Do not insert any objects into the air intake of the unit. It may damage the fan blades or cause injuries. After the motor is switched off, the fan continues to rotate for a short period of time.
- Do not use or store this product where it can fall or be pulled into a bath tub, sink, water, or other liquid. Do not reach for a unit that has fallen into water or other liquid. Do not immerse in water or other liquid, even when the unit is unplugged at that time. Moisture can cause an electric shock hazard when the unit is again plugged into the AC outlet. Wipe moisture off the unit with a dry cloth. Do not handle the power cord or the unit with wet hands.
- Never overfill the appliance.
- Never transport or overbalance the appliance with a filled water basin.
- Use only genuine Venta fragrances.
- Do not add fragrance oil to the water. This may impair the function of the Hygiene Disc.
- Only use original Venta additives. Venta Air Technologies Inc. accepts no liability for damage which may be caused by the use of other additives.

Read and follow separate instructions and Warnings for Venta Hygiene Disc, Venta Cleaner, VENTAcel Filter, VENTAcarb Filter and Venta Fragrances. Please contact Venta Air Technologies Inc. at (888) 333 8218 or www.venta-usa.com for additional information.

Please visit our website (www.venta-usa.com) to check for the latest version of this User Manual.

SAFETY PRECAUTIONS FOR INSTALLATION / WARNING

- Plug the power cord into a wall socket with the power specifications of the product or higher and use the socket for this appliance only. In addition, do not use an extension cord.
- Sharing a wall socket with other appliances using a multi outlet power strip or extending the power cord may result in electric shock or fire.
- Do not use an electric transformer. It may result in electric shock or fire.
- If the voltage/frequency/rated current condition is different, it may cause electric shock or fire.

FOR INSTALLATION / WARNING

- Do not install this appliance near a heater, inflammable material. Do not install this appliance in a humid, oily or dusty location, in a location exposed to direct sunlight and water (rain drops). Do not install this appliance in a location where gas may leak.
- Failure to do so may result in electric shock or fire.

FOR INSTALLATION / CAUTION

- The appliance should be installed in a place where the power cord of the product can be easily pulled out.
- Failure to do so may result in electric shock or fire due to electric leakage.
- Install your appliance on a level and hard floor that can support its weight.
- Failure to do so may result in abnormal vibrations, noise, or problems with the product.
- There should be over 6 in. space around the appliance.
- If space for air intake is not enough,

humidification and purification capacity may decrease.

- If the appliance is too near wall side, the wall paper may get damaged.
- When installing the product, make sure that no heavy objects are on the power cord.
- Failure to do so may result in electric shock or fire.

FOR POWER CORD / WARNING

- Unplug the product, and then remove foreign substances (dust, moisture, etc.) of the power plug terminal or power plug connection part with a dry cloth on a regular basis.
- Otherwise, electric shock or fire may occur.

- When the product, power plug or power cord is damaged, contact your nearest service center.
- Plug the power plug into the wall socket firmly. Do not use a damaged power plug, damaged power cord or loose wall socket.

- Failure to do so may result in electric shock or fire.

- When unplugging the product, do not pull the power cord. Grip the power plug, and then pull the power plug.

- Otherwise, electric shock or fire may occur.

- Do not pull or excessively bend the power cord. Do not twist or tie the power cord.

- Do not hook the power line over a metal object, place a heavy object on the power cord, insert the power line between objects, or push the power cord into the space behind the appliance.

- This may result in electric shock or fire.

FOR POWER CORD / CAUTION

- When the appliance will not be used for a long period of time or during a thunder or lightning storm, disconnect the power supply.
- Failure to do so may result in electric shock or fire.
- It is dangerous when the power cable gets damaged, therefore contact a service center or qualified experts for the repair.

SAFETY PRECAUTIONS

FOR OPERATION /WARNING

- If the appliance is flooded, turn off the appliance and contact a service center.
- If the appliance generates a strange noise, a burning smell or smoke, disconnect the power supply immediately and contact a service center.
- Failure to do so may result in electric shock or fire.
- When gases (city gas, profane gas, etc.) leak, do not touch the power cord. Immediately ventilate the area and contact a service center or a qualified technician.
- Do not use a ventilating fan.
- If there is a spark, explosion or fire may occur.
- Do not unplug the appliance during operation.
- When plugging the appliance in again, flame may occur and it may result in electric shock or fire.
- When a repair is needed, contact the service center.
- Failure to do so may result in a product malfunction, water leakage,

electric shock or fire.

- Do not touch the power plug with wet hands.
- This may result in electric shock.
- Do not apply a force to or pull the product using excessive force.
- This may result in fire, injury, or a problem with the product.
- After unpacking the appliance, keep all packaging materials out of the reach of children.
- If a child places a bag over its head, it may suffocate.
- Do not insert your fingers or a foreign substance into the air inlet or outlet.
- Take special care that children do not injure themselves by inserting their fingers into the product.
- Do not place an object near the outdoor unit that makes it possible for children to climb onto the machine.
- The child could fall and injure themselves or the product may fall over and injure the child.
- Do not put other foreign materials such as metal into the product.
- This may result in electric shock or injury.
- If water has entered the power supply module, unplug the power cable and dry the product completely before use.
- Failure to do so may result in electric shock or fire.
- Do not place heavy objects on the product.
- Failure to do so may result in a product malfunction or noise.
- Do not attempt to repair, disassemble, or modify the product yourself.

- Failure to do so may result in electric shock, fire, a product malfunction or injury.
- If a foreign substance such as water has entered the product, disconnect the power supply and contact the service center.
- Failure to do so may result in electric shock or fire.

SAFETY PRECAUTIONS FOR OPERATION / CAUTION

- Keep a distance of about 6.6 ft. from other electric appliances such as a TV, video or audio device etc.
- Failure to do so may result in reduced video quality or noise.
- Leave a space greater than 2 in. (6 in. or more is recommended) between the product and the wall.
- Do not spray volatile material such as insecticide onto the product.
- As well as being harmful to humans, this may also result in electric shock, fire or a product malfunctions.
- Do not tilt or turn the product upside down while the product is connected to the wall outlet.
- Failure to do so may result in a malfunction or fire.
- Do not put the product into water.
- This may result in a product malfunction
- Do not place the product on the edge of a desk or table.
- Do not stand on top of the product or place objects (such as laundry, lighted candles, lighted cigarettes, dishes, chemicals, metal objects, etc.) on the product.
- This may result in electric shock, fire,

a product malfunction or injury.

- Do not operate the product with wet hands.
- This may result in electric shock.
- This appliance is not intended for use by persons with reduced physical, sensory or mental capabilities, or lack of experience and knowledge, unless they have been given supervision or instruction concerning use of the appliance by a person responsible for their safety.
- For use in Europe: This appliance can be used by persons with reduced physical, sensory or mental capabilities or lack of experience and knowledge if they have been given supervision or instruction concerning use of the appliance in a safe way and understand the hazards involved. Children shall not play with the appliance.

FOR CLEANING / WARNING

- Do not clean the product by spraying water directly onto it. Do not use benzene, thinner, acetone or alcohol to clean the product.
- This may result in discoloration, deformation, damage, electric shock or fire.
- Disconnect the power cord and stop the fan operation before cleaning the product.
- Failure to do so may result in electric shock or fire.



OVERVIEW

- | | | | |
|----------|------------------------------|-----------|-------------------|
| 1 | Display | 8 | Fragrance holder |
| 2 | On/off switch | 9 | Pre-filter |
| 3 | Evaporator compartment | 10 | VENTAcel filter |
| 4 | Water tank | 11 | Cable compartment |
| 5 | Disc stack | 12 | Hygiene Disc |
| 6 | Water basin | 13 | Remote control |
| 7 | Fragrance/filter compartment | | |

CHECK BEFORE USE

INSTALLATION STATUS

Ensure that the following installation requirements have been satisfied.

- The product should be installed on an even, level floor.
- There should be no objects blocking the air intake and outlet.
- The installation site should be dry and there should be no inflammable substances around it.
- The product should be installed at least 2 in. (6 in. is recommended) from the wall.
- Before using the product for the first time and when replacing the integrated VENTAcel filter and Hygiene Disc, make sure to remove the plastic packaging of the filter and the new Hygiene Disc.

POWER CORD AND POWER OUTLET

- Be sure to use a dedicated 120V electrical outlet. (When the power is applied, the product enters the standby state.)
- Unplug the power cord if it will not be used for a long period of time.

**Attention!**

Make sure that the appliance is switched off and the power cord is disconnected.

- 01** Unpack the appliance and set it up. Open the fragrance/filter compartment **7**, remove the pre-filter **9**, remove and unpack the VENTAcel filter **10**.

- 02** Re-insert the VENTAcel filter **10** and pre-filter **9**.

- 03** Inserting the fragrance: Twist open the fragrance cap and insert it into the fragrance holder **8**. Insert up to three fragrances into the fragrance holder **8**.

- 04** Close the fragrance/filter compartment **7**.

- 05** Open the evaporator compartment **3** and remove the water tank **4**.

- 06** Open the water tank **4** and fill up to the MAX marker with water.

- 07** Close the water tank **4** securely.

- 08** Insert the water tank **4** into the water basin **6** and close the evaporator compartment **3**.

- 09** The display **1** can be adjusted to three positions.

- 10** The power cable can be adjusted to the desired length by winding it up in the cable compartment **11**.

Attention! The coupling of the mains cable must be plugged firmly into the device!

Please remove the protective foil for battery and remote control of the remote control.

Connect the power plug and switch on the appliance at the on/off switch 2 or with the remote control 13.

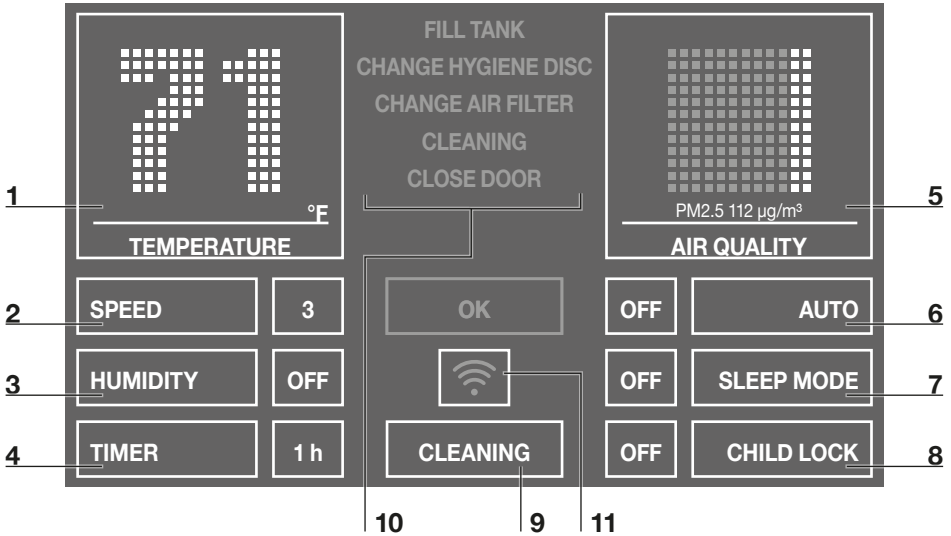


ON/OFF

Set fan stage

ATTENTION! It may take about a minute for the device to start and for the “Fill Tank” indicator in red or yellow to be extinguished. A gurgling sound may be heard, but this does not represent a quality defect.

FUNCTIONS, SETTINGS & DISPLAYS



The preferred setting can be selected or changed by briefly touching the respective function.

Function	Setting
1	Temperature / Air humidity Display temperature or air humidity . Hold for 3 sec. to switch back and forth between °F and °C.
2	Speed Fan stage 1 (weak) – 5 (strong).
3	Humidity OFF No moistening. 30 - 70 % (in 5 % increments) If the specified humidity is reached, the disc stack will not turn.
4	Timer OFF / 1 / 3 / 5 / 7 / 9 h (hours) The appliance shuts off automatically after the preset hours have expired.
5	Air quality (EPA) PM2.5 µg/m ³ 0-12 13-35 36-55 56-150 151-250 251-500 AQI US 0-50 51-100 101-150 151-200 201-300 301-500 Good Moderate Unhealthy for Sensitive Groups Unhealthy Very Unhealthy Hazardous GREEN YELLOW ORANGE RED PURPLE MAROON

6	Auto	OFF Appliance operates with preset fan stage 1 – 5. ON The appliance automatically regulates the fan stages depending on the air quality in the room.
7	Sleep mode	OFF/ON Appliance reduces the fan stage to 1 and dims the display. The fan power can be manually changed if desired. The air quality is not monitored.
8	Child lock	OFF/ON Hold for 3 sec. to activate/deactivate the key lock.
9	Cleaning	Cleaning program The cleaning process requires (1) 8.5 fl. oz bottle of Venta Cleaner. Please follow the instructions on the display. Duration approx. 4 h.
10	Notes	Display and confirmation of information messages.
11	WiFi	Display and setup of WiFi connection. grey: WiFi disabled green: WiFi connected, local blue: WiFi connected, full access red: WiFi disconnected. Please check the WiFi configuration for network and login data. Follow the instructions on WiFi setup.

WiFi SETUP

WiFi CONFIGURATION

WIRELESS NETWORK

Select network:

LOGIN CREDENTIALS


Security type:

PSK:

INTERNET ACCESS

Access:

CLOSE



CONNECT

Holding WiFi display **11** for three seconds will bring up the WiFi configuration. Choose your network from the “Select network” drop-down list. The “Security

type” is set automatically as soon as the network is selected. Enter your WiFi password/WiFi security code into the “PSK” field (ASCII input mode) and confirm it with the ENTER key. If your password contains special characters that are not represented on the keyboard, you can generate your entire password as a HEX code at the following website: www.venta-usa.com

Now enter your generated HEX code into the “PSK” field (HEX input mode) and confirm it with the ENTER key. Under “Access”, select the internet access privileges you desire.

full access: Access to all convenience functions in the app.

local access: local access to app use.

To establish a WiFi connection, confirm with the CONNECT button.

Green WiFi display: WiFi connection established (local access)

Blue WiFi display: WiFi connection established (full access)

Red WiFi display: no WiFi connection. Double-check your network and WiFi password.

Grey WiFi display: WiFi disabled

Actuating the CLOSE button calls up the device’s control panel.

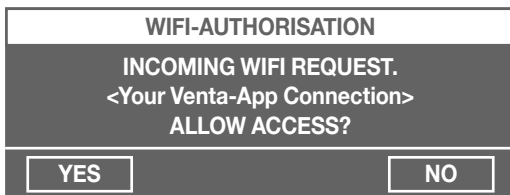
WiFi can be enabled or disabled by touching the WiFi display **11** on the appliance. If WiFi is disabled, the appliance will not connect to the Venta app.

VENTA APP

The device functions can be expanded and controlled with the Venta app. The Venta app is available for smartphones and tablets. You can download the Venta app at the following website: www.venta-usa.com or



Then follow the instructions on your smartphone/tablet screen. When a connection is being established between the app and the device, a signal tone is emitted. Now confirm connection establishment to your smartphone/tablet on your device.





Transportation WARNING! Always switch off the motor and unplug the power cord from the A/C outlet before moving the appliance.

Note/Interval**Actions****A** Fill Tank

Water tank **4** empty, fill with fresh water.
Yellow: humidification is still taking place.
Red: no humidification is taking place.

Cleaning

The cleaning process requires (1) 8.5 fl. oz. bottle of Venta Cleaner. Please run the cleaning program by pressing the button **CLEANING 9**. Please follow the instructions on the display. Duration approx. 4 h.



Attention! Make sure that the appliance is switched off and the power cord is disconnected.

B Change Filter

Open the fragrance/filter compartment **7**, remove the pre-filter **9**. Remove the VENTAcel filter **10** and replace it. Re-assemble the device and touch the OK indicator in the display again and hold it for 3 seconds until it disappears.

C Change Hygiene Disc

Open the evaporator compartment **3**. Remove the disc stack **5** and unlock the drive wheel. Remove the Hygiene Disc and replace it. Re-assemble the device and touch the OK indicator in the display again and hold it for 3 seconds until it disappears.

Recommendation: every 10–14 days

Empty the residual water out of the water tank **4** and water basin **6**. Clean the water basin **6** and disc stack **5**. Fill the water tank **4** up to the MAX marker with fresh water.

Any residue in the water basin and on the disc stack (white, green-yellowish or brown deposits or discolorations) do NOT impair the function of the device.

D Recommendation: every 1–2 months or as required

Open the fragrance/filter compartment **7**, remove the pre-filter **9** and vacuum or rinse it off. Please note: the pre-filter must be completely dry before it is installed. Re-assemble the appliance.

TROUBLESHOOTING

Problem	Solution
Appliance does not function.	Connect the power cord.
	Connect the power cable coupling to the appliance.

Please contact VENTA customer service if you are unable to eliminate a problem with the help of this information: 1-888-333-8218, www.venta-usa.com

TECHNICAL DATA

Modell	Kuubel XL-T
For rooms*	up to 480 sq.ft.
Mains voltage	120V 60Hz
Speeds	5
Sound measurement	17/26/37/43/47 dB(A)
Dimensions	61 × 30 × 52 cm / 24 × 12 × 20 in.
Weight	ca. 13 kg / 28,1 lb
Energy consumption	7/8/14/20/30 Watts
Water reservoir	overall 3.3 Gal., tank 2.1 Gal.

* Square feet is based on eight foot ceilings.

ACCESSORIES

Item	Packaging unit/(pcs.)
Disc	
Hygiene Disc	1/3
Filter	
VENTAcel Filter	1/2
VENTAcarb Filter	1/2
Cleaner	
Venta Cleaner	1
Aroma Capsules	3

Accessories can be purchased at www.venta-usa.com

VENTA AROMATHERAPY

Distinctive aromatherapy blends are specially developed and formulated for Venta Air Technologies Inc. These fragrances are made of 100 % essential oils and scents inspired by nature.

Application area: use only in the provided fragrance holder of the Airwasher/Purifier (Kuube L-T, Kuube XL, Kuube XL-T, Kuuboid XL MAX, Kuubel XL-T). Please adhere to the directions in the operating manual. Do not use force to open the Aroma Capsule.

Waste disposal: you may dispose of Aroma Capsules in your household waste. Shelf life: 20 days after opening.

Dosage: the intensity of the fragrance can be adjusted by turning the fragrance cap.

ABOUT YOUR PRIVACY

Your information will be held by Venta Air Technologies Inc. for promotional, marketing and servicing purposes. If your personal details change, if you change your mind about any of your marketing preferences or if you have any queries about how we use your information, please let us know by contacting Venta Air Technologies Inc., US Headquarters, 300 N Elizabeth St., Suite 220B, Chicago, IL 60607, or by calling the VentaCare Customer Service Line: 888-333-8218.

Or you can email us at info@venta-usa.com. For more information on how we protect your privacy, please see our privacy policy on www.venta-usa.com

SERVICE OPTION: VENTA KUUBEL XL-T

In case you prefer the factory to handle your concern, for warranty repair, or if you wish to utilize the factory cleaning service for your Venta Kuubel XL-T, please call our customer service department toll free at 1 (888) 333-8218 to obtain a Return Merchandise Authorization (RMA) number. Attach a tag to the product that includes your name, address, daytime phone number, and description of the problem. Include a copy of the original sales receipt and warranty card if not yet submitted. For products purchased in the United States, carefully package the product in its original packaging and send it either by UPS or Parcel Post with shipping and insurance prepaid to: Venta Air Technologies Inc., US Headquarters, 300 N Elizabeth St., Suite 220B, Chicago, IL 60607.

TWO (2) YEAR LIMITED WARRANTY

Call Venta Customer Service to troubleshoot any issues, before attempting to return product to retailer. If you have any questions regarding this warranty please call 1-888-333-8218 or write to: Venta Air Technologies Inc., US Headquarters, 300 N, Elizabeth St., Suite 220B, Chicago, IL 60607. For product registration please return the enclosed Warranty Card. Venta warrants that for a period of two (2) years from the date of purchase, this product will be free from defects in material and workmanship. Venta, at its option will repair or replace this product or any component of the product found to be defective during the warranty period. Replacement will be made with a new or remanufactured product or component. If the product is no longer available, replacement may be made with a similar product of equal or greater value. This is your exclusive warranty. This warranty is valid for the original retail purchaser from the date of initial retail purchase and is not transferable. Your warranty card must be completed and returned to activate your warranty. Also, keep the original sales receipt – proof of purchase is required to obtain warranty performance. This warranty does not cover normal wear of parts or damage resulting from any of the following: Negligent use or misuse of the product, use on improper voltage or current, use contrary to the operating instructions, disassembly, repair, or alteration by anyone other than Venta. Further, the warranty does not cover Acts of God, such as fire, flood, hurricanes, and tornadoes. Venta shall not be liable for any incidental or consequential damages caused by the breach of any express or implied warranty. Except to the extent prohibited by applicable law, any implied warranty of merchantability or fitness for a particular purpose is limited in duration to the duration of the above warranty. Some states, provinces, or jurisdictions do not allow the exclusion or limitation of incidental or consequential damages or limitations on how long an implied warranty lasts, so the above limitations or exclusions may not apply to you. This warranty gives you specific legal rights, and you may also have other rights that vary from state to state.

MERCI !

Nous sommes convaincus que le Venta Kuubel XL-T dépassera vos attentes et nous vous souhaitons d'en profiter pleinement.

Veuillez lire ce mode d'emploi intégralement, le conserver pour toute utilisation ultérieure et respecter les consignes de sécurité.

TABLE DES MATIÈRES

Contenu de la livraison	15
Symboles	14
Consignes de sécurité	16
Aperçu	20
Mise en service	20
Fonctions & réglages	21
Configuration Wi-Fi	22
Application mobile Venta	23
Caractéristiques techniques	24
Dépannage	24
Nettoyage & entretien	25
Accessoires	26
Venta-Aromathérapie	26
Vie Privée	26
Service après-vente Venta Kuubel XL-T	27
Garantie	27

CONTENU DE LA LIVRAISON

- 1 x** Purificateur & Humidificateur
Venta Kuubel XL-T
- 1 x** Filtre VENTAcél (prémonté)
- 1 x** Préfiltre (prémonté)
- 1 x** Disque Hygiénique (prémonté)
- 1 x** Télécommande

Si des pièces sont manquantes ou endommagées, veuillez vous adresser à Venta Air Technologies Inc. at (888) 333 8218 or www.venta-usa.com

SYMBOLES



Veuillez lire ce mode d'emploi attentivement et le conserver pour une utilisation ultérieure.



Attention ! Risque d'accidents et de blessures ainsi que de dommages matériels.



Ne pas utiliser l'appareil en extérieur ou dans un environnement humide.



PRIÈRE DE LIRE TOUTES LES INSTRUCTIONS : IMPORTANTES CONSIGNES DE SÉCURITÉ / AVERTISSEMENT !

- Il est essentiel que vous lisiez, assimiliez totalement et observiez les consignes de sécurité et instructions suivantes. Prière de relire ces informations régulièrement. L'utilisation impropre ou négligente de votre Venta peut entraîner des blessures sérieuses ou même mortelles. Conserver ce mode d'emploi à côté de votre Venta. S'assurer que toute personne utilisant votre appareil comprenne le contenu de ce manuel.
- Les enfants ne doivent pas être autorisés à utiliser l'appareil.
- Toujours éteindre le moteur et débrancher le fil d'alimentation de la prise électrique avant de déplacer ou de transporter l'unité.
- Brancher uniquement dans une prise de courant alternatif 120V. Ne pas utiliser votre appareil si le câble d'alimentation ou la prise est abîmé(e). Débrancher tout câble d'alimentation endommagé immédiatement de la prise électrique et le confier uniquement à Venta pour le remplacement. Ne pas remplacer un cordon ou une tête de prise endommagé(e).
- Ne pas tenter d'effectuer une réparation. L'entretien ou le service du Venta Kuubel XL-T, mis à part ce qui est décrit dans ce guide de l'utilisateur, doit uniquement être assuré par Venta. Toute modification apportée à votre appareil est extrêmement dangereuse et annule votre garantie.
- Ne pas insérer d'objets dans l'arrivée d'air de l'appareil. Cela peut causer des dégâts aux lames du ventilateur ou provoquer des blessures. Une fois que le moteur est éteint, le ventilateur continue à effectuer quelques rotations.
- Ne pas utiliser ou ranger ce produit là où il pourrait tomber ou se être tiré dans une baignoire, un lavabo, de l'eau ou un autre liquide. Ne pas essayer de toucher l'appareil étant tombé dans de l'eau ou dans un autre liquide. Ne pas immerger dans de l'eau ou dans un autre liquide, même si l'appareil est débranché à ce moment-là. L'humidité peut causer un risque de décharge électrique lorsque l'unité est à nouveau branchée dans une prise de courant. Si humide, essuyer l'appareil avec un chiffon sec. Ne pas manier le câble d'alimentation ou l'appareil avec des mains mouillées.
- Employer uniquement des parfums authentiques Venta.
- Ne jamais ajouter à l'eau des huiles parfumée. Ce peut affecter le fonctionnement du Disque Hygiénique.
- La société Venta Air Technologies Inc. ne prend aucune garantie pour les dommages
 - dus à des additifs externes.
 - Ne jamais remplir trop l'Airwasher.
 - Ne jamais transporter ou basculer l'Airwasher avec la cuve remplie.

Veillez lire et suivre les instructions séparées ainsi que les mises en garde applicables au Filtre VENTAcél, VENTAcarb et aux Parfums Venta. Prière de contacter Venta Air Technologies Inc. au (888) 333 8218 ou à www.venta-usa.com pour informations supplémentaires.

Veillez consulter notre site Web (www.venta-usa.com) pour être sûr d'utiliser la version la plus récente du « Manuel d'utilisation ».

CONSIGNES DE SÉCURITÉ

POUR L'INSTALLATION / AVERTISSEMENT

- Brancher le câble d'alimentation dans une prise murale en respectant les spécifications électriques du produit ou supérieures et en utilisant cette prise uniquement pour cet appareil. Ne pas utiliser de rallonge.
- Le partage de la prise murale avec d'autres appareils en utilisant une fiche multiple ou une rallonge peut provoquer un choc électrique ou un incendie.
- Ne pas utiliser de transformateur électrique. Cela pourrait provoquer un choc électrique ou un incendie.
- Si la tension/la fréquence/le courant nominal varient, cela pourrait provoquer un choc électrique ou un incendie.

POUR L'INSTALLATION / AVERTISSEMENT

- Ne pas installer cet appareil à proximité d'un radiateur ou d'une matière inflammable. Ne pas installer cet appareil dans un environnement humide, huileux ou poussiéreux, dans un environnement exposé à la lumière directe du soleil et à l'eau (gouttes de pluie). Ne pas installer cet appareil dans un environnement exposé aux fuites de gaz.
- Le non-respect de cette consigne pourrait provoquer un choc électrique ou un incendie.

POUR L'INSTALLATION / ATTENTION

- Il est recommandé d'installer l'appareil dans un endroit où le câble d'alimentation du produit peut facilement être débranché.
- Le non-respect de cette consigne pourrait provoquer un choc électrique ou un incendie en raison des fuites électriques.
- Installer votre appareil sur une surface dure et plane qui peut en supporter le poids.
- Le non-respect de cette consigne pourrait provoquer des vibrations anormales, des bruits ou des dysfonctionnements.

- Laisser un espace de plus de 15 cm tout autour de l'appareil.
- Si l'espace prévu pour l'arrivée d'air n'est pas suffisant, il en résultera une baisse des capacités d'humidification et de purification.
- Si l'appareil est installé trop près du mur, cela pourrait endommager le papier peint.
- Le non-respect de cette consigne pourrait provoquer un choc électrique ou un incendie.

POUR LE CÂBLE D'ALIMENTATION / AVERTISSEMENT

- Débrancher le produit, puis éliminer les corps étrangers (poussière, humidité, etc.) de la prise ou du bloc d'alimentation avec un chiffon sec et de manière régulière.
- Cela pourrait sinon provoquer un choc électrique ou un incendie.
- En cas d'endommagement du produit, de la fiche électrique ou du câble d'alimentation, contacter le centre de service le plus proche.
- Bien brancher la prise dans la prise murale. Ne pas utiliser de fiche électrique endommagée, de câble d'alimentation endommagé ou de prise murale mal fixée.
- Le non-respect de cette consigne pourrait provoquer un choc électrique ou un incendie.
- Ne pas tirer sur le câble d'alimentation pour débrancher l'appareil. Prendre l'appareil au niveau du connecteur et le débrancher de la prise.
- Cela pourrait sinon provoquer un choc électrique ou un incendie.
- Ne pas tirer ni plier excessivement le câble d'alimentation. Ne pas tordre ni nouer le câble d'alimentation.
- Ne pas accrocher le câble d'alimentation sur un objet en métal, ne pas placer d'objets lourds sur le câble d'alimentation, ne pas coincer le câble d'alimentation entre deux objets, ni pousser le câble d'alimentation dans l'espace à l'arrière de l'appareil.
- Cela pourrait provoquer un choc électrique ou un incendie.

POUR LE CÂBLE D'ALIMENTATION / ATTENTION

- En cas de non-utilisation prolongée du l'appareil ou en cas de tonnerre ou d'orage, débrancher l'appareil de l'alimentation électrique.
- Le non-respect de cette consigne pourrait provoquer un choc électrique ou un incendie.
- Un câble d'alimentation endommagé représente un véritable danger. Contacter donc un centre de service ou des experts qualifiés pour la réparation.

CONSIGNES DE SÉCURITÉ

POUR L'UTILISATION / AVERTISSEMENT

- En cas d'inondation de l'appareil, le débrancher et contacter un centre de service.
- En cas de bruits étranges de l'appareil, d'odeur de brûlé ou de fumée, débrancher immédiatement l'appareil de la source d'alimentation et contacter un centre de service.
- Le non-respect de cette consigne pourrait provoquer un choc électrique ou un incendie.
- En cas de fuites de gaz (gaz de ville, propane, etc.), ne pas toucher le câble d'alimentation. Aérer immédiatement la zone et contacter un centre de service ou un technicien qualifié.
- Ne pas utiliser de ventilateur.
- Il y a risque d'explosion ou d'incendie en cas d'étincelles.
- Ne pas débrancher l'appareil pendant le fonctionnement.
- Lorsque l'appareil est à nouveau branché, il y a risque de formation de flammes, ce qui pourrait provoquer un choc électrique ou un incendie.
- En cas de besoin de réparations, veuillez contacter le centre de service.
- Le non-respect de cette consigne pourrait causer le dysfonctionnement du produit, des fuites d'eau, un choc électrique ou un incendie.
- Ne pas toucher le câble d'alimentation avec des mains mouillées.

- Risque de choc électrique.
- Ne pas exercer de force sur le produit ou tirer sur le produit en usant de force excessive.
- Risque d'incendie, de blessures ou de dysfonctionnements.
- Une fois l'appareil déballé, garder tout le matériel d'emballage hors de la portée des enfants.
- Un enfant pourrait suffoquer s'il se couvre le visage avec un sac.
- Ne pas introduire vos doigts ni un corps étranger dans les entrées ou les sorties d'air.
- Veiller particulièrement à ce que les enfants ne se blessent pas en introduisant leurs doigts dans le produit.
- Ne pas placer d'objets près de l'unité extérieure pouvant permettre aux enfants de grimper sur la machine.
- L'enfant pourrait tomber et se blesser ou alors le produit pourrait tomber et blesser l'enfant.
- Ne pas introduire d'autres corps étrangers, tels que des objets métalliques dans le produit.
- Risque de choc électrique ou des blessures.
- En cas de pénétration d'eau dans le bloc d'alimentation, débrancher le câble d'alimentation et sécher le produit complètement avant utilisation.
- Le non-respect de cette consigne pourrait provoquer un choc électrique ou un incendie.
- Ne pas placer d'objets lourds sur le produit.
- Le non-respect de cette consigne pourrait causer le dysfonctionnement du produit, ou des bruits.
- Ne pas tenter de réparer, désassembler, ou d'altérer le produit soi-même.
- Le non-respect de cette consigne pourrait provoquer un choc électrique, un incendie, des dysfonctionnements ou des blessures.

- En cas de pénétration d'un corps étranger tel que l'eau dans le produit, débrancher le produit de la source d'alimentation et contacter le centre de service.
- Le non-respect de cette consigne pourrait provoquer un choc électrique ou un incendie.

CONSIGNES DE SÉCURITÉ POUR L'UTILISATION / ATTENTION

- Maintenir une distance d'environ 2 m par rapport aux autres appareils électriques, tels que téléviseurs, appareils vidéo ou audio, etc.
- Le non-respect de cette consigne pourrait réduire la qualité vidéo ou causer des bruits.
- Garder une distance de plus de 5 cm (de préférence 15 cm ou plus) entre le produit et le mur.
- Ne pas asperger de substance volatile telle qu'un insecticide sur le produit.
- Non seulement ces substances sont nocives pour les humains, elles peuvent aussi provoquer un choc électrique, un incendie ou des dysfonctionnements.
- Ne pas basculer le produit ni le mettre tête en bas lorsqu'il est connecté à la prise murale.
- Le non-respect de cette consigne pourrait causer le dysfonctionnement du produit ou un incendie.
- Ne pas plonger le produit dans l'eau.
- Risque de dysfonctionnements
- Ne pas placer le produit au bord d'un bureau ou d'une table.
- Ne pas monter sur le produit ni placer d'objets (linge, bougies allumées, cigarettes allumées, vaisselle, produits chimiques, objets métalliques, etc.) sur le produit.
- Risque de choc électrique, d'incendie, de dysfonctionnements ou de blessures.
- Ne pas manipuler le produit avec des mains mouillées.
- Risque de choc électrique.
- Le produit ne doit pas être utilisé par des personnes ayant des capacités physi-

ques, sensorielles ou mentales limitées, ou des personnes dénuées d'expérience et de connaissances, sauf si ces personnes sont attentivement surveillées ou si elles sont formées à l'utilisation de l'appareil par une personne responsable de leur sécurité.

- Pour l'usage en Europe : Cet appareil peut être utilisé par des personnes ayant des capacités physiques, sensorielles ou mentales limitées, ou des personnes dénuées d'expérience et de connaissances, si ces personnes sont attentivement surveillées ou si elles sont formées à l'utilisation sécuritaire de l'appareil et si elles en comprennent les risques. Il est interdit aux enfants de jouer avec l'appareil.

POUR LE NETTOYAGE / AVERTISSEMENT

- Ne pas nettoyer le produit en l'aspergeant directement d'eau. Ne pas utiliser de benzène, de diluant, d'acétone ou d'alcool pour nettoyer le produit.
- Risque de décoloration, de déformation, de dommages, de choc électrique ou d'incendie.
- Débrancher le produit de la prise électrique et couper le ventilateur avant de nettoyer le produit.
- Le non-respect de cette consigne pourrait provoquer un choc électrique ou un incendie.

APERÇU

- | | |
|--|--|
| 1 Écran | 8 Diffuseur |
| 2 Bouton ON/OFF | 9 Préfiltre |
| 3 Compartiment d'évaporateur | 10 Filtre VENTAcél |
| 4 Réservoir d'eau | 11 Range-cordon |
| 5 Pile de disques | 12 Disque Hygiénique (prémonté) |
| 6 Cuve à eau | 13 Télécommande |
| 7 Compartiment à parfums/filtre | |

01 - 10 MISE EN SERVICE



Attention ! S'assurer que l'appareil est éteint et la fiche retirée.
ATTENTION ! Toujours éteindre le moteur et débrancher l'appareil de la prise électrique avant de déplacer l'appareil.

- 01** Déballer l'appareil et le mettre en place. Ouvrir le compartiment à parfums/filtre **7**, retirer le préfiltre **9**, retirer et déballer le filtre VENTAcél **10**.
- 02** Remettre le filtre VENTAcél **10** et le préfiltre **9** en place.
- 03** Insertion de la cartouche de parfum : Ouvrir le bouchon du parfum en tournant et l'insérer dans le diffuseur **8**. Insérer jusqu'à trois parfums dans le diffuseur **8**.
- 04** Fermer le compartiment à parfums/filtre **7**.
- 05** Ouvrir le compartiment d'évaporateur **3** et retirer le réservoir d'eau **4**.
- 06** Ouvrir le réservoir d'eau **4** et remplir d'eau jusqu'au repère MAX.
- 07** Bien fermer le réservoir d'eau **4**.
- 08** Insérer le réservoir d'eau **4** dans la cuve à eau **6** et fermer le compartiment d'évaporateur **3**.
- 09** L'écran **1** peut être rabattu en trois positions.
- 10** Le câble de raccordement peut être rallongé à la longueur souhaitée en déroulant le range-cordon **11**.

Attention ! Le raccord du cordon d'alimentation doit être solidement branché dans l'appareil !

Veillez retirer le fusible de la pile et le film protecteur de la télécommande.



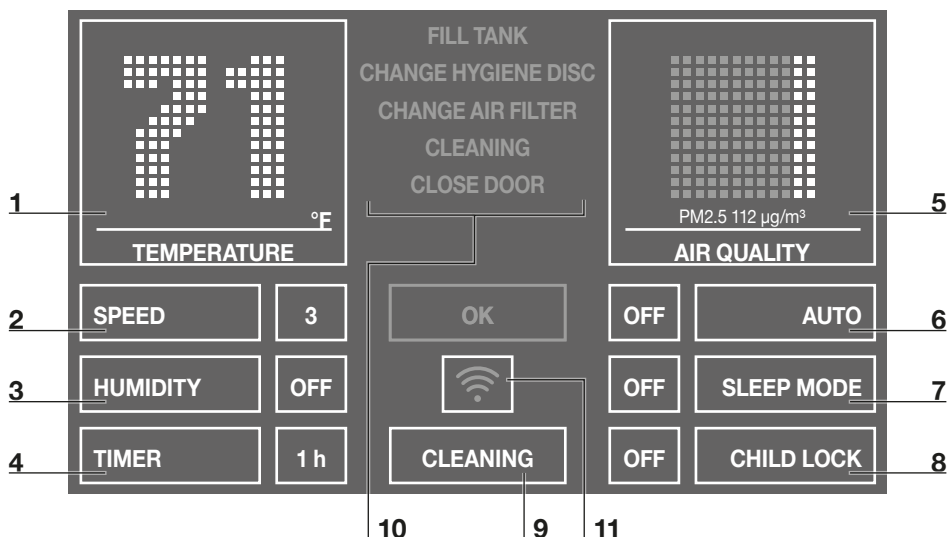
ON/OFF

Réglage de la puissance de ventilation

Insérer la fiche et allumer l'appareil à l'aide du bouton ON/OFF 2 ou à l'aide du Télécommande 13.

ATTENTION ! Cela peut prendre environ 60 secondes jusqu'à ce que l'appareil démarre et l'indication en rouge ou jaune « Fill Tank » (remplir le réservoir) disparaisse. Un bruit (glouglou) se fait entendre, ce qui ne constitue pas un défaut de qualité.

FONCTIONS, RÉGLAGES & AFFICHAGES



Le paramètre désiré peut être sélectionné ou modifié par brève pression sur la touche de fonction correspondante.

Fonction	Réglage
1	Température / humidité d'air Afficher la température ou l' humidité de l'air. Appuyer pendant 3 s pour passer de °F à °C.
2	Vitesse Niveau de ventilation 1 (faible) – 5 (fort).
3	Humidité d'air OFF Pas d'humidification de l'air. 30 - 70 % (par incréments de 5 %) Une fois le niveau d'humidité d'air souhaité réglé, le pile de disques cesse de tourner.

4	Arrêt différé	OFF / 1 / 3 / 5 / 7 / 9 h (heures) Une fois les heures réglées écoulées, l'appareil s'éteint automatiquement.																												
5	Qualité de l'air (EPA)	<table border="0"> <tr> <td>PM2.5</td> <td>AQI US</td> <td></td> <td></td> </tr> <tr> <td>0-12</td> <td>0-50</td> <td>Bon</td> <td>VERT</td> </tr> <tr> <td>13-35</td> <td>51-100</td> <td>Modéré</td> <td>JAUNE</td> </tr> <tr> <td>36-55</td> <td>101-150</td> <td>Nocif pour les groupes sensibles</td> <td>ORANGE</td> </tr> <tr> <td>56-150</td> <td>151-200</td> <td>Nocif</td> <td>ROUGE</td> </tr> <tr> <td>151-250</td> <td>201-300</td> <td>Très nocif</td> <td>LILAS</td> </tr> <tr> <td>251-500</td> <td>301-500</td> <td>Dangereux</td> <td>MARRON</td> </tr> </table>	PM2.5	AQI US			0-12	0-50	Bon	VERT	13-35	51-100	Modéré	JAUNE	36-55	101-150	Nocif pour les groupes sensibles	ORANGE	56-150	151-200	Nocif	ROUGE	151-250	201-300	Très nocif	LILAS	251-500	301-500	Dangereux	MARRON
PM2.5	AQI US																													
0-12	0-50	Bon	VERT																											
13-35	51-100	Modéré	JAUNE																											
36-55	101-150	Nocif pour les groupes sensibles	ORANGE																											
56-150	151-200	Nocif	ROUGE																											
151-250	201-300	Très nocif	LILAS																											
251-500	301-500	Dangereux	MARRON																											
6	Auto	OFF L'appareil fonctionne avec un niveau de ventilation de 1 à 5. ON Selon la qualité de l'air dans la pièce, l'appareil règle automatiquement les niveaux de ventilation.																												
7	Mode nuit	OFF / ON L'appareil baisse le niveau de ventilation à 1 et fait varier la luminosité de l'écran. Le niveau de ventilation peut être modifiée manuellement si besoin. La surveillance de la qualité de l'air n'est pas active.																												
8	Sécurité enfants	OFF / ON Appuyer pendant 3 s pour activer/désactiver le verrouillage des touches.																												
9	Nettoyage	Programme de nettoyage Une bouteille (250 ml) de nettoyant Venta est nécessaire pour le processus de nettoyage. Prière de suivre les consignes à l'écran. Durée env. 4 h.																												
10	Remarques	Affichage et confirmation de messages d'avertissement.																												
11	Wi-Fi	Affichage Wi-Fi et établissement de la connexion Wi-Fi. Gris : Wi-Fi désactivé Vert : Wi-Fi connecté, local Bleu : Wi-Fi connecté, full access Rouge : Wi-Fi déconnecté. Veuillez vérifier la configuration Wi-Fi, concernant le réseau et les données de connexion. Suivez les instructions concernant la configuration Wi-Fi.																												

CONFIGURATION WI-FI

Maintenir Wi-Fi Display **11** enfoncée pendant 3 sec. pour accéder à la configuration du Wi-Fi. Sélectionnez votre réseau sous « Sélectionner réseau » dans la liste déroulante. Le « Security Type » est automatiquement réglé lorsque le réseau est sélectionné. Veuillez entrer dans le champ « PSK » (mode d'entrée ASCII) votre clé de mot de passe Wi-Fi / clé Wi-Fi et appuyez sur la touche ENTREE. Si votre mot de passe contient des caractères spéciaux ou des trémas qui ne sont pas

WIFI CONFIGURATION

WIRELESS NETWORK

Select network: VENTA

LOGIN CREDENTIALS


Security type: WPA / WPA2

PSK: *****

INTERNET ACCESS

Access: full access

CLOSE



CONNECT

représentés sur le clavier, vous pouvez générer tout votre mot de passe grâce à un code HEX sur le site : www.venta-usa.com

Veillez ensuite saisir dans le champ « PSK » (mode d'entrée HEX) votre code HEX généré et confirmer en appuyant sur la touche ENTREE. Dans « Access », sélectionnez l'autorisation d'accès Internet souhaitée.

full access : accès à toutes les utilisations de confort de l'application.

local access : accès local à l'utilisation de l'application.

Actionnez la touche CONNECT pour établir la connexion Wi-Fi.

Affichage Wi-Fi vert : connexion Wi-Fi établie (local access)

Affichage Wi-Fi bleu : connexion Wi-Fi établie (full access)

Affichage Wi-Fi rouge : aucune connexion Wi-Fi. Vérifiez votre réseau et votre mot de passe Wi-Fi.

Affichage Wi-Fi gris : Wi-Fi désactivé

En actionnant la touche CLOSE, vous accédez de nouveau au panneau de commande de l'appareil. Le Wi-Fi peut être activé ou désactivé en appuyant sur le Wi-Fi Display **11** de l'appareil. Si le Wi-Fi est désactivé, l'appareil ne se connecte pas à l'application mobile Venta.

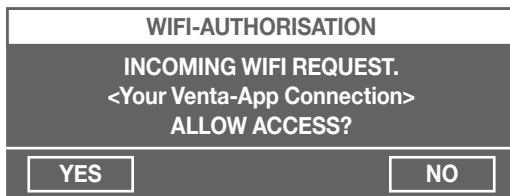
APPLICATION MOBILE VENTA

L'application Venta permet d'étendre et de contrôler les fonctions de l'appareil.

L'application Venta est disponible pour les smartphones et les tablettes. Veuillez télécharger l'application Venta sur le site : www.venta-usa.com



et suivre les indications apparaissant à l'écran de votre smartphone/tablette. Lors de l'établissement de la connexion de l'application avec l'appareil, un signal sonore retentit sur l'appareil. Veuillez confirmer sur l'appareil l'établissement de la connexion avec votre smartphone/tablette.



CARACTÉRISTIQUES TECHNIQUES

Modèle	Kuubel XL-T
Pour des pièces*	≤ 45 m ²
Tension du réseau	120V 60Hz
Vitesses	5
Niveau sonore	17/26/37/43/47 dB(A)
Dimensions	61 × 30 × 52 cm
Poids	env. 13 kg
Puissance du moteur	env. 7/8/14/20/30 W
Quantité de remplissage	Totale 12 L / réservoir 8 L + cuve à eau 4 L

* pour une hauteur de pièce de max. 2,5 m

DÉPANNAGE

Problème	Solution
L'appareil ne fonctionne pas.	Brancher la prise. Insérer le coupleur du câble de raccordement dans l'appareil.

Si vous ne parvenez pas à résoudre un problème à partir des informations énumérées ici, veuillez contacter le SAV de VENTA :
1-888-333-8218, www.venta-usa.com



ATTENTION ! Toujours éteindre le moteur et débrancher le Venta Kuubel XL-T de la prise électrique avant de déplacer l'appareil.

Remarque / Intervalle Mesures

A	Fill Tank	Réservoir d'eau vide, remplir avec de l'eau fraîche. Jaune : une humidification de l'air est en cours. Rouge : aucune humidification de l'air n'est en cours.
	Cleaning	Une bouteille (250 ml) de nettoyeur Venta est nécessaire pour le processus de nettoyage. Veuillez effectuer le programme de nettoyage en appuyant sur la touche CLEANING 9 . Prière de suivre les consignes à l'écran. Durée env. 4 h.



Attention !

S'assurer que l'appareil est éteint et la fiche retirée.

B	Change Filter	Ouvrir le compartiment à parfums/filtre 7 , retirer le préfiltre 9 . Retirer le filtre VENTAcél 10 et le remplacer. Remonter l'appareil et appuyer sur la touche OK pendant 3 s jusqu'à ce que l'écran s'éteigne.
C	Change Hygiene-Disc	Ouvrir le compartiment d'évaporateur 3 . Retirer la pile de disques 5 et déverrouiller la roue d'entraînement. Retirer le Disque Hygiénique et le remplacer. Remonter l'appareil et appuyer sur la touche OK pendant 3 s jusqu'à ce que l'écran s'éteigne.
	Recommandation tous les 10 à 14 jours	Vider le réservoir d'eau 4 et la cuve à eau 6 de l'eau résiduelle. Nettoyer la cuve à eau 6 et la pile de disques 5 . Remplir le réservoir d'eau 4 avec de l'eau fraîche jusqu'au repère MAX.

Tous les résidus dans la cuve d'eau et sur la pile de disques (dépôts ou décolorations de couleur blanche, vert jaunâtre ou marron) n'affectent PAS le fonctionnement de l'appareil.

D	Recommandation tous les 1 à 2 mois ou bien selon les besoins	Ouvrir le compartiment à parfums/filtre 7 , retirer le préfiltre 9 et aspirer ou rincer. Prière de noter : le préfiltre doit être entièrement sec avant le montage. Remonter l'appareil.
----------	--	--

ACCESSOIRES

Article	Unité d'emballage / qté
Disque Disque Hygiénique	1/3
Filtre Filtre VENTAcél Filtre VENTAcarb	1/2 1/2
Nettoyant Venta Nettoyant	1
Parfums	3

Les accessoires sont disponibles sur www.venta-usa.com

VENTA-AROMATHÉRAPIE

Des alliances distinctives de parfums sont spécialement formulés pour Venta Air Technologies Inc. Des parfums sont fabriqués 100 % à partir d'huiles essentielles et de parfums naturels.

Domaine d'application : A utiliser uniquement dans les diffuseurs de l'Airwasher/du Purificateur (Kuube L-T, Kuube XL, Kuube XL-T, Kuuboid XL MAX, Kuubel XL-T). Veuillez tenir compte des consignes du mode d'emploi. Ne pas ouvrir la capsule d'arôme avec force.

Élimination : Éliminer la capsule d'arôme usagée avec les ordures ménagères.

Conservation : 20 jours après ouverture.

Dosage : L'intensité du parfum peut être réglée en tournant le bouchon du parfum.

VIE PRIVÉE

En cas de changement de vos données personnelles ou de vos préférences commerciales ou si vous avez des questions à poser sur notre utilisation des informations vous concernant, veuillez nous en informer en contactant Venta Air Technologies Inc., US Headquarters, 300 N Elizabeth St., Suite 220B, Chicago, IL 60607 ou en téléphonant au service d'assistance : 888-333-8218.

Vous pouvez également nous envoyer un e-mail à info@venta-usa.com. Pour plus de renseignements concernant notre protection de votre vie privée, veuillez consulter notre politique de protection sur www.venta-usa.com

SERVICE APRÈS-VENTE VENTA KUUBEL XL-T

Au cas où vous préférez que l'usine se charge des questions liées aux réparations sous garantie, ou bien si vous désirez employer le service d'entretien d'usine pour votre Venta Kuubel XL-T, veuillez appeler le département de service à la clientèle au numéro gratuit 1-888-333-8218 afin d'obtenir un numéro RMA d'autorisation de retour de marchandise. Attacher une étiquette au produit indiquant vos nom, adresse, numéro de téléphone durant la journée ainsi qu'une description du problème. Prière d'inclure un exemplaire de la facture d'achat initiale et la carte de garantie si vous ne l'avez pas encore soumise. Pour les produits achetés aux États-Unis, emballer l'appareil avec soin dans sa boîte d'origine et envoyez-le à l'adresse suivante via UPS ou colis postal en prépayant les frais d'envoi et contractant une assurance : Venta Air Technologies Inc., US Headquarters, 300 N Elizabeth St., Suite 220B, Chicago, IL 60607.

GARANTIE LIMITÉE DE DEUX (2) ANS

Appeler le service clientèle de Venta pour régler éventuellement le problème avant de tenter de retourner le produit au détaillant . En cas de questions au sujet de la présente garantie veuillez appeler le 1-888-333-8218 ou écrire à : Venta Air Technologies Inc., US Headquarters, 300 N Elizabeth St., Suite 220B, Chicago, IL 60607. Pour l'enregistrement du produit, renvoyer SVP la carte de garantie accompagnant ce Manuel de l'utilisateur ou inscrivez-vous en ligne à www.venta-usa.com. Venta garantit que pour une période de deux ans à partir de la date d'achat, ce produit sera exempt de défaut de fabrication ou de matériel. Venta choisira soit de réparer soit de remplacer ce produit ou toute pièce de l'article s'avérant défectueuse durant la période de garantie. Le remplacement aura lieu avec un produit ou composant neuf ou remis à neuf. Si le produit n'est plus disponible, l'échange sera effectué avec un produit similaire d'une valeur égale ou supérieure. Il s'agit de votre garantie exclusive. La présente garantie est valable, à partir de la date de l'achat initial, uniquement pour l'acquéreur d'origine ayant effectué son achat dans un commerce de détail, et elle n'est pas transférable. Votre carte de garantie doit être remplie et renvoyée pour activer votre garantie. Veuillez également conserver le ticket de caisse d'origine. La preuve d'achat est requise en vue d'assurer la validité de la garantie. La présente garantie ne couvre pas l'usure normale des pièces ou les dommages résultant de tout fait avéré suivant : emploi négligeant ou usage abusif du produit, utilisation du mauvais voltage ou courant, usage contraire aux indications d'emploi, désassemblage, réparation, ou modifications par un tiers autre que Venta. De plus, la garantie ne couvre pas les catastrophes naturelles telles qu'incendies, inondations, ouragans ou tornades. Venta ne sera pas considéré responsable de quelques dommages fortuits ou indirects que ce soit, causés par la rupture de toute garantie explicite ou implicite. À l'exception de l'étendue prohibée par la loi en vigueur, toute garantie légale de qualité loyale et marchande ou d'aptitude à un objectif spécifique est limitée en temps à la durée de la garantie définie ci-dessus. Certains états, provinces ou juridictions ne permettent pas l'exclusion ou la prescription des dommages fortuits ou indirects ou encore ne placent pas de limites à la longueur d'une garantie légale ; par conséquent, les restrictions ou exclusions ne s'appliquent éventuellement pas à vous. La présente garantie vous accorde des droits juridiques spécifiques, et vous pouvez également bénéficier d'autres droits variant d'un État à l'autre.

¡GRACIAS!

Estamos convencidos de que el Venta Kuubel XL-T superará todas sus expectativas y esperamos que disfrute de su producto.

Lea este manual de instrucciones completamente y consérvelo para su posterior consulta. Siga también todas las indicaciones de seguridad.

ÍNDICE

Volumen de suministro	28
Símbolos	28
Indicaciones de seguridad	29
Vista general	33
Puesta en funcionamiento	34
Funciones y ajuste	25
Configuración de WiFi	36
Aplicación Venta	37
Datos técnicos	38
Resolución de problemas	38
Limpieza y mantenimiento	39
Accesorios	40
Aromaterapia Venta	40
Sobre su Privacidad	40
Opción de servicio: Venta Kuubel XL-T	41
Garantía	41

VOLUMEN DE SUMINISTRO

- 1 x** Purificador y Humidificador Venta Kuubel XL-T
- 1 x** Filtro VENTAcél (premontado)
- 1 x** Filtro previo (premontado)
- 1 x** Disco Higiénico (premontado)
- 1 x** Mando a distancia

Si falta alguna pieza o hay piezas dañadas, póngase en contacto con Venta Air Technologies Inc. llamando al (888) 333 8218 o en www.venta-usa.com

SÍMBOLOS



Lea este manual de instrucciones atentamente y consérvelo para su consulta posterior.



¡Atención! Riesgo de accidente y lesión, así como daños en el producto.



No utilice el dispositivo en el exterior o en lugares húmedos.



LEA COMPLETAMENTE LAS INSTRUCCIONES: IMPORTANTE MEDIDAS DE SEGURIDAD ¡ADVERTENCIA!

- Es importante que lea, entienda perfectamente y observe las siguientes precauciones y advertencias de seguridad. Lea estas instrucciones periódicamente. Un uso imprudente o inadecuado de su purificador y humidificador Venta puede causar lesiones graves e incluso mortales. Guarde el manual de usuario junto con su purificador de aire. Asegúrese de que todo aquel que utilice el producto entienda la información que contiene este manual.
- No debe permitirse a los niños poner en marcha el dispositivo.
- Apague siempre el motor y desenchufe el cable de red de la toma de CA antes de mover o manipular el dispositivo.
- Conéctelo únicamente a una toma de CA de 120 V. No utilice su Venta si el cable de red o el enchufe están dañados. Desenchufe inmediatamente el cable de red de la toma de corriente CA si está dañado y envíelo a Venta para su sustitución.
- No sustituya el cable de red dañado usted mismo.
- No realice ningún trabajo de reparación. Solo Venta puede realizar una revisión y un mantenimiento del purificador y humidificador Venta distintos a los descritos en este manual de usuario. Cualquier modificación de su Venta puede ser extremadamente peligrosa y anular su garantía.
- No introduzca ningún objeto en la toma de aire del dispositivo. Esto podría dañar las palas del ventilador o causar lesiones. Una vez apagado el motor, el ventilador continúa rotando durante un corto período de tiempo. No utilice ni almacene este producto donde pueda caer o sumergirse en una bañera, fregadero, agua u otro líquido. No intente coger un dispositivo que haya caído al agua o a otro líquido. No lo introduzca en agua u otro líquido, aunque el dispositivo esté desenchufado en ese momento. La humedad puede

provocar una descarga eléctrica cuando se vuelve a enchufar el dispositivo a la toma de CA. Seque la humedad del dispositivo con un paño seco. No manipule el cable de red o el dispositivo con las manos mojadas.

- Utilice solo fragancias genuinas de Venta.
- No eche aceite esencial al agua. Esto podría afectar al funcionamiento del Disco Higiénico.
- Utilice solo aditivos originales de Venta. Venta Air Technologies Inc. no asume la responsabilidad de los daños provocados por el uso de otros aditivos.
- No llene nunca el producto hasta que rebose.
- No transporte o vuelque nunca el producto con la cubeta llena de agua.

Lea y siga las instrucciones específicas y las advertencias de los filtros VENTAcyl, VENTAcarb, del Disco Higiénico Venta, el limpiador Venta y las fragancias Venta. Póngase en contacto con Venta Air Technologies Inc. llamando al (888) 333 8218 o en www.venta-usa.com si desea obtener más información.

Por favor visite nuestro sitio web (www.venta-usa.com) para comprobar la última versión de esta Manual del usuario y soporte al cliente.

PRECAUCIONES DE SEGURIDAD PARA LA INSTALACIÓN/ADVERTENCIA

- Enchufe el cable de red a un enchufe de la pared con las especificaciones de alimentación del producto o mayores y utilice el enchufe únicamente para este dispositivo. No utilice un prolongador.
- Compartir un enchufe con otros dispositivos utilizando una regleta o prolongando el cable de red puede provocar una descarga eléctrica o un incendio.
- No utilice un transformador eléctrico. Esto puede provocar una descarga eléctrica o un incendio.
- Si el voltaje, la frecuencia o la corriente nominal son diferentes, esto puede provocar una descarga eléctrica o un incendio.

PARA LA INSTALACIÓN/ADVERTENCIA

- No instale este dispositivo cerca de un radiador; material inflamable. No instale este dispositivo en una zona húmeda, aceitosa o polvorienta ni en ningún lugar expuesto a los rayos directos del sol y al agua (gotas de lluvia). No instale este dispositivo en un lugar donde pueda haber fugas de gas.
- De lo contrario, puede provocar una descarga eléctrica o un incendio.

PARA LA INSTALACIÓN/PRECAUCIÓN

- Se debe instalar el dispositivo en un lugar donde se pueda extraer fácilmente el cable de red del dispositivo.
- De lo contrario, puede provocar una descarga eléctrica o un incendio debido a las fugas eléctricas.
- Instale su dispositivo en un suelo llano y fuerte que soporte su peso.
- De lo contrario, puede provocar vibraciones anormales, ruido u otros problemas con el producto.
- Debe haber un espacio mayor de 15 cm alrededor del dispositivo.
- Si no hay suficiente espacio para la toma de aire, la capacidad de humidificación puede disminuir.

- Si el dispositivo está muy cerca de la pared, el papel de la pared puede dañarse.
- Al instalar el producto, asegúrese de que no hay objetos pesados sobre el cable de red.
- De lo contrario, puede provocar una descarga eléctrica o un incendio.

PARA EL CABLE DE RED/ADVERTENCIA

- Desenchufe el producto y después quite las sustancias extrañas (polvo, humedad, etc.) del terminal del cable de red o del enchufe de conexión con un paño seco de forma periódica.
- De lo contrario, podría provocarse una descarga eléctrica o un incendio.
- Si el producto, el enchufe o el cable de red están dañados, póngase en contacto con su centro de servicio más cercano.
- Conecte el enchufe del cable a un enchufe de la pared. No utilice un enchufe del cable dañado, un cable de red dañado o un enchufe de la pared suelto.
- De lo contrario, puede provocar una descarga eléctrica o un incendio.
- Cuando desconecte el producto, no tire del cable de red. Agarre el enchufe del cable y después tire de él.
- De lo contrario, podría provocarse una descarga eléctrica o un incendio.
- No tire o doble excesivamente el cable de red. No retuerza el cable de red.
- No enganche la línea de red a un objeto metálico, coloque un objeto pesado sobre el cable de red, introduzca la línea de red entre objetos ni empuje el cable de red hacia el espacio que queda detrás del dispositivo.
- Esto puede provocar una descarga eléctrica o un incendio.

PARA EL CABLE DE RED/ PRECAUCIÓN

- Cuando no se vaya a utilizar el purificador de aire durante un largo período de tiempo o durante una tormenta eléctrica o truenos, desconecte la alimentación de corriente.
- De lo contrario, puede provocar una descarga eléctrica o un incendio.
- Es peligroso que el cable de red se dañe, por tanto, póngase en contacto con un centro de servicio o un especialista cualificado para que lo reparen.

PRECAUCIONES DE SEGURIDAD PARA EL FUNCIONAMIENTO/ADVERTENCIA

- Si se desborda el dispositivo, desconéctelo y póngase en contacto con un centro de servicio.
- Si el dispositivo hace un ruido extraño, huele a quemado o echa humo, desconecte inmediatamente la alimentación de corriente y póngase en contacto con un centro de servicio.
- De lo contrario, puede provocar una descarga eléctrica o un incendio.
- Si salen gases (gas ciudad, gas propano, etc.), no toque el cable de red. Ventile la zona inmediatamente y póngase en contacto con un centro de servicio o un técnico cualificado.
- No utilice un ventilador.
- Si se produce una chispa, podría causar una explosión o un incendio.
- No desconecte el dispositivo mientras esté en funcionamiento.
- Cuando vuelva a conectar el dispositivo, podría aparecer una llama, lo que provocaría una descarga eléctrica o un incendio.
- Cuando el dispositivo necesite reparaciones, póngase en contacto con el centro de servicio.
- De lo contrario, puede provocar una avería, una fuga de agua, una descarga eléctrica o un incendio.
- No toque el enchufe con las manos mojadas.
- Esto puede provocar una descarga eléctrica.

- No emplee la fuerza con el producto ni lo empuje por un exceso de fuerza.
- Esto puede provocar un incendio, lesiones o problemas con el producto.
- Después de desembalar su purificador de aire, mantenga todos los materiales del embalaje fuera del alcance de los niños.
- Si un niño se pone una bolsa en la cabeza, se puede asfixiar.
- No meta los dedos o una sustancia extraña en la entrada o salida de aire.
- Preste especial atención a que los niños no se dañen introduciendo los dedos en el producto.
- No coloque ningún objeto cerca de la unidad de salida que pueda provocar que los niños se suban a la máquina.
- El niño podría caerse y dañarse o el producto podría caer sobre el niño y lesionarlo.
- No ponga otros materiales extraños, como metal, en el producto.
- Esto puede provocar una descarga eléctrica o lesiones.
- Si ha entrado agua en el módulo de alimentación de corriente, desenchufe el cable de red y seque completamente el producto antes de usarlo.
- De lo contrario, puede provocar una descarga eléctrica o un incendio.
- No coloque objetos pesados sobre el producto.
- De lo contrario, puede provocar una avería o ruido.
- No realice ninguna reparación, desmontaje o modificación del producto por sí mismo.
- De lo contrario, puede provocar una descarga eléctrica, un incendio, una avería o lesiones.
- Si una sustancia extraña, como agua, ha entrado en el producto, desconecte la alimentación de corriente y póngase en contacto con el centro de servicio.
- De lo contrario, puede provocar una descarga eléctrica o un incendio.

PRECAUCIONES DE SEGURIDAD PARA EL FUNCIONAMIENTO/PRECAUCIÓN

- Mantenga una distancia de unos 2 m con respecto a otros dispositivos eléctricos, como la televisión, dispositivos de vídeo o audio, etc.
- De lo contrario, puede provocar una reducción de la calidad del vídeo o ruido.
- Deje un espacio mayor de 5 cm (15 cm es más recomendable) entre el producto y la pared.
- No pulverice material volátil, como insecticida, sobre el producto.
- Además de ser perjudicial para los humanos, también puede provocar una descarga eléctrica, un incendio o averías en el producto.
- No incline ni ponga el producto boca abajo mientras esté conectado al enchufe de la pared.
- De lo contrario, puede provocar una avería o un incendio.
- No introduzca el producto en agua.
- Esto puede provocar una avería
- No ponga el producto en el borde de una mesa.
- No se suba encima del producto ni coloque objetos (como la colada, velas encendidas, cigarrillos encendidos, platos, sustancias químicas, objetos metálicos, etc.) sobre el producto.
- Esto puede provocar una descarga eléctrica, un incendio, una avería o lesiones.
- No maneje el producto con las manos mojadas.
- Esto puede provocar una descarga eléctrica.
- Este dispositivo no está diseñado para que lo usen personas con capacidades físicas, sensoriales o mentales reducidas o con falta de experiencia y conocimientos, a no ser que estén bajo supervisión o se les haya instruido con respecto al uso del dispositivo por una persona responsable de su seguridad.

- Para el uso en Europa: Este dispositivo puede ser utilizado por personas con capacidades físicas, sensoriales o mentales reducidas o con falta de experiencia y conocimientos si están bajo supervisión o se les ha instruido con respecto al uso del dispositivo de una forma segura y si han entendido los peligros que implica. Los niños no deben jugar con el dispositivo.

PARA LA LIMPIEZA/ADVERTENCIA

- No limpie el producto pulverizando agua directamente sobre él. No utilice benceno, disolvente, acetona o alcohol para limpiar el producto.
- Esto puede provocar la decoloración, la deformación, un daño, una descarga eléctrica o un incendio.
- Desconecte el cable de red y detenga el funcionamiento del ventilador antes de limpiar el producto.
- De lo contrario, puede provocar una descarga eléctrica o un incendio.



VISTA GENERAL

- | | | | |
|----------|--------------------------------------|-----------|------------------------------|
| 1 | Pantalla | 8 | Soporte para fragancias |
| 2 | Interruptor de encendido y apagado | 9 | Filtro previo |
| 3 | Compartimento del evaporador | 10 | Filtro VENTAcel |
| 4 | Depósito de agua | 11 | Compartimento del cable |
| 5 | Pila de discos | 12 | Disco Higiénico (premontado) |
| 6 | Cubeta de agua | 13 | Mando a distancia |
| 7 | Compartimento de la fragancia/filtro | | |

COMPROBAR ANTES DE USAR

ESTADO DE INSTALACIÓN

Asegúrese de que se cumplen los siguientes requisitos para la instalación:

- El producto debe colocarse sobre un suelo plano y uniforme.
- No debe haber objetos bloqueando la entrada ni la salida del aire.
- La instalación debe estar seca y no debe haber sustancias inflamables a su alrededor.
- El producto debe instalarse al menos a 5 cm (se recomiendan 15 cm) de la pared.
- Cuando cambie el Disco Higiénico y el Filtro VENTAcel integrado, asegúrese de quitar el envoltorio plástico del nuevo Disco Higiénico y del Filtro.

CABLE DE RED Y TOMA DE CORRIENTE

- asegúrese de utilizar una toma de corriente de 120V diseñada para ello. (Cuando se suministra corriente, el producto entra en modo standby).
- Desconecte el cable de red si no lo va a utilizar durante un largo período de tiempo.



Atención! Asegúrese de que el dispositivo está apagado y el cable de red desconectado.

- 01** Desembale el dispositivo y móntelo. Abra el compartimento de la fragancia/filtro **7**, quite el filtro previo **9**, quite y desempaque el filtro VENTAcel **10**.

- 02** Vuelva a introducir el filtro VENTAcel **10** y el filtro previo **9**.

- 03** Introduzca la fragancia: Desenrosque la tapa de la fragancia e introduzca la fragancia en el soporte para fragancias **8**. Introduzca hasta tres fragancias en el soporte para fragancias **8**.

- 04** Cierre el compartimento de la fragancia/filtro **7**.

- 05** Abra el compartimento del evaporador **3** y saque el depósito de agua **4**.

- 06** Abra el depósito de agua **4** y llénelo con agua hasta la marca MAX.

- 07** Cierre bien el depósito de agua **4**.

- 08** Introduzca el depósito de agua **4** en la cubeta de agua **6** y cierre el compartimento del evaporador **3**.

- 09** La pantalla **1** puede ajustarse en tres posiciones.

- 10** Puede ajustarse la longitud deseada del cable de red enrollándolo o desenrollándolo en el compartimento del cable **11**.

¡Atención! El acoplamiento del cable de alimentación debe estar bien enchufado al dispositivo.

Quite la lámina protectora de la batería y del mando a distancia.



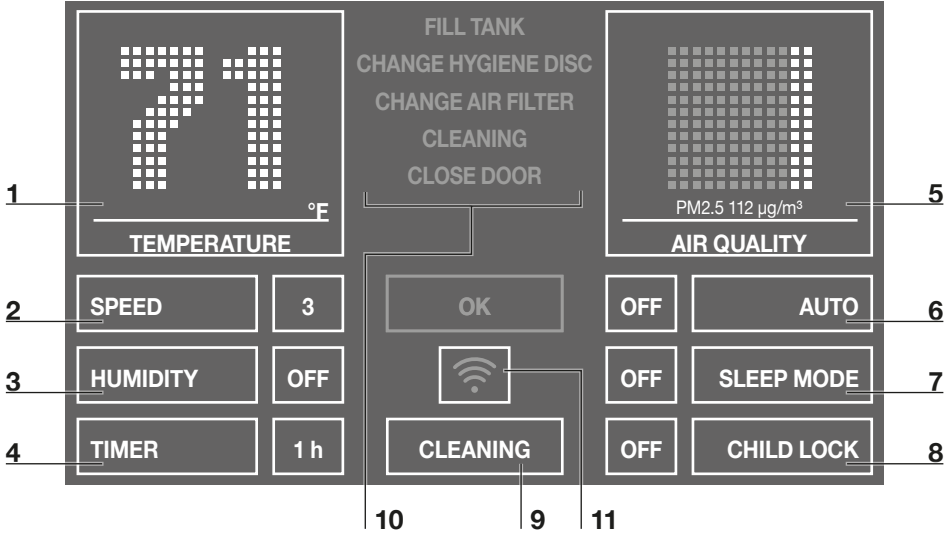
ON/OFF

Ajuste el nivel del ventilador

Conecte el cable de red y encienda el dispositivo con el interruptor de encendido y apagado **2 o con el mando a distancia **13**.**

¡ATENCIÓN! Puede que el dispositivo tarde un minuto hasta encenderse y que el indicador «Fill Tank» (Llenar el depósito) rojo o amarillo se apague. Es posible que suene gorgoteo, pero no se trata de un defecto de calidad.

FUNCIONES, AJUSTES Y VISUALIZACIONES



Puede seleccionar o cambiar los ajustes deseados tocando brevemente la función correspondiente.

Funciones	Ajustes
1 Temperature/ Air humidity	Visualización de la temperatura o de la humedad del aire . Mantenga pulsado durante 3 s para volver a atrás y cambiar entre F° y °C
2 Speed	Nivel del ventilador 1 (suave) – 5 (fuerte).
3 Humidity	OFF No humedece. 30 - 70% (en incrementos del 5%) Si se alcanza la humedad especificada, la pila de discos no girará.
4 Timer	OFF / 1 / 3 / 5 / 7 / 9 h (horas) El dispositivo se apaga automáticamente una vez transcurridas las horas establecidas.

5	Calidad del aire (EPA)	PM2.5			
		µg/m ³	AQI US		
		0-12	0-50	Buena	VERDE AMARILLO NARANJA
		13-35	51-100	Moderada	
		36-55	101-150	Insalubre para grupos sensibles	
56-150	151-200	Insalubre	ROJO MORADO MARRÓN		
151-250	201-300	Muy insalubre			
251-500	301-500	Peligrosa			
6	Auto	OFF El dispositivo funciona con el nivel del ventilador establecido 1 – 5. ON El dispositivo regula automáticamente el nivel del ventilador en función de la calidad del aire de la habitación.			
7	Sleep mode	OFF/ON El dispositivo reduce el nivel del ventilador a 1 y atenúa la luz de la pantalla. Si lo desea, puede cambiar manualmente la potencia del ventilador. No se supervisa la calidad del aire.			
8	Child lock	OFF/ON Mantenga pulsado durante 3 s para activar/desactivar el bloqueo de la tecla.			
9	Cleaning	Programa de limpieza Para el proceso de limpieza es necesaria una botella de limpiador Venta de 250ml. Siga las instrucciones que aparecen en la pantalla. Duración aprox. 4 h.			
10	Notas	Visualización y confirmación de los mensajes de información.			
11	WiFi	Visualización de WiFi y configuración de la conexión WiFi. gris: WiFi desactivado verde: WiFi conectado, local azul: WiFi conectado, full access rojo: WiFi desconectado. Compruebe la red y los datos de acceso de la configuración de WiFi. Siga las instrucciones para la configuración de WiFi.			

CONFIGURACIÓN DE WIFI

Mantenga pulsada la visualización de WiFi **11** durante 3 segundos para llegar a la configuración de WiFi. En «Select network» (Seleccionar red), seleccione su red en la lista desplegable. El «Security Type» (Tipo de seguridad) se ajusta automáticamente una vez seleccionada la red. Introduzca su contraseña o clave de WLAN en el campo «PSK» (modo de entrada ASCII) y confirme con la tecla ENTER. Si su contraseña contiene caracteres especiales o diéresis que no aparecen en el teclado, puede generar un código HEX a partir de su contraseña completa en la página web: www.venta-usa.com

WIFI CONFIGURATION	
WIRELESS NETWORK	
Select network:	VENTA
LOGIN CREDENTIALS	
Security type:	WPA / WPA2
PSK:	*****
INTERNET ACCESS	
Access:	full access
CLOSE	CONNECT

Introduzca ahora en el campo «PSK» (modo de entrada HEX) el código HEX generado y confirme con la tecla ENTER. En «Access» (Acceso), seleccione la autorización de acceso a Internet que desee.

full access (acceso completo): acceso a todos los usos de confort de la aplicación.
 local access (acceso local): acceso local al uso de la aplicación.

Confirme con la tecla CONNECT para establecer la conexión WiFi.

Visualización de WiFi verde: conexión WiFi establecida (local access)

Visualización de WiFi azul: conexión WiFi establecida (full access)

Visualización de WiFi roja: sin conexión WiFi. Compruebe de nuevo su red y contraseña de WLAN.

Visualización de WiFi gris: WiFi desactivado

Pulsando la tecla CLOSE volverá al panel de control del dispositivo.

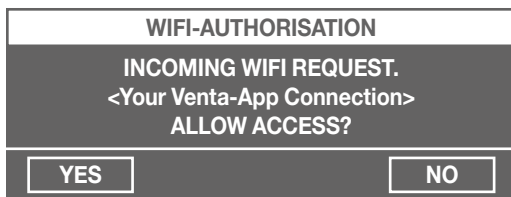
La WiFi se puede activar o desactivar manteniendo pulsado la visualización de WiFi **11** del aparato. Si la WiFi está desconectada, el aparato se conectará a la aplicación Venta.

APLICACIÓN VENTA

Con la aplicación Venta se pueden ampliar y controlar las funciones del dispositivo. La aplicación Venta está disponible para teléfonos inteligentes y tabletas. Descargue la aplicación Venta en: www.venta-usa.com o



y siga las indicaciones que aparecen en la pantalla de su teléfono/tableta. Al establecer la conexión de la aplicación con el dispositivo, este emite un tono de aviso. Confirme ahora en el dispositivo el establecimiento de la conexión con su teléfono/tableta.



DATOS TÉCNICOS

Modelo	Kuubel XL-T
Para habitaciones* de hasta	≤ 45 m ²
Tensión de red	120V 60Hz
Velocidades	5
Medición del ruido	17/26/37/43/47 dB(A)
Dimensiones	61 × 30 × 52 cm
Peso	aprox. 13 kg
Consumo de energía	aprox. 7/8/14/20/30W
Reserva de agua	total 12l, depósito 8l + cubeta de agua 4l

*Los metros cuadrados se basan en techos de 2,5m de altura.

RESOLUCIÓN DE PROBLEMAS

Problema	Solución
El dispositivo no funciona.	Conecte el cable de red. Conecte el acoplamiento del cable de red al dispositivo.

Si no es capaz de solucionar el problema con esta información, póngase en contacto con el servicio de atención al cliente de VENTA.
1-888-333-8218, www.venta-usa.com



Transporte ¡ADVERTENCIA! Apague siempre el motor y desenchufe el cable de red de la toma de CA antes de mover el Kuubel XL-T

Nota/Intervalo

Tareas

A Fill Tank (Llenar el depósito) Depósito de agua 4 vacío, llenar con agua fresca. Amarillo: se sigue humidificando. Rojo: no se está humidificando.

Cleaning (Limpieza) Para el proceso de limpieza es necesaria una botella de limpiador Venta de 250 ml. Ponga en marcha el programa de limpieza pulsando el botón CLEANING **9**. Siga las instrucciones que aparecen en la pantalla. Duración aprox. 4 h.



¡Atención! Asegúrese de que el dispositivo está apagado y el cable de red desconectado.

B Filter Change (Cambiar el filtro) Abra el compartimento de la fragancia/filtro **7**, saque el filtro previo **9**. Saque el filtro VENTAcel **10** y cámbielo. Vuelva a montar el dispositivo, toque el indicador OK de la pantalla y manténgalo pulsado durante 3 segundos hasta que desaparezca.

C Change Hygiene Disc (Cambio del Disco Higiénico) Abra el compartimento del evaporador **3**. Saque la pila de discos **5** desbloquee la rueda motriz. Saque el Disco Higiénico **12** y cámbielo. Vuelva a montar el dispositivo, vuelva a tocar el indicador OK de la pantalla y manténgalo pulsado durante 3 segundos hasta que desaparezca.

Recomendación: Vacíe el agua residual del depósito de agua **4** y de la cubeta de agua **6**. Limpie la cubeta de agua **6** y la pila de discos **5**. Llene el depósito de agua **4** hasta la marca MAX con agua fresca.

Los residuos de la cubeta de agua y de la pila de discos (depósitos blancos, amarillentos o marrones o decoloraciones) NO afectan al funcionamiento del dispositivo.

D Recomendación: Abra el compartimento de la fragancia/filtro **7**, saque el filtro previo **9** y aspirelo o enjuáguelo. Tenga en cuenta que el filtro previo debe estar completamente seco antes de que lo instale. Vuelva a montar el dispositivo.

ACCESORIOS

Objeto	Unidad de embalaje/(piezas)
Disco Disco Higiénico	1/3
Filtro Filtro VENTAcel Filtro VENTAcarb	1/2 1/2
Limpiador Limpiador Venta	1
Fragancias	3

Los accesorios se pueden comprar en www.venta-usa.com

AROMATERAPIA VENTA

Las mezclas de aromaterapia distintivas están especialmente formuladas para Venta Air Technologies Inc. Este aromas están 100% hecho con aceites esenciales y olores inspirados en la naturaleza activador y estimulante.

Área de aplicación: utilizar únicamente en el soporte para fragancias del Airwasher/Purificador de aire (Kuube L-T, Kuube XL, Kuube XL-T, Kuuboid XL MAX, Kuubel XL-T). Siga las indicaciones del manual de uso. No emplee la fuerza para abrir la Cápsula de aroma.

Eliminación: puede tirar la Cápsula de aroma en la basura doméstica.

Caducidad: 20 días después de su apertura.

Dosificación: se puede ajustar la intensidad del olor girando la tapa de la cápsula.

SOBRE SU PRIVACIDAD

Venta Air Technologies Inc. conservará su información con fines promocionales, publicitarios y para la prestación de servicios. Si cambian sus datos personales, su opinión acerca de alguna de sus preferencias de publicidad o si tiene alguna duda sobre cómo gestionamos su información, le rogamos que nos lo indique poniéndose en contacto con Venta Air Technologies Inc., US Headquarters, 300 N Elizabeth St., Suite 220B, Chicago, IL 60607, o llamando al servicio de atención al cliente de Venta: 888-333-8218. También puede enviarnos un correo electrónico a info@venta-usa.com. Para obtener más información sobre cómo protegemos su privacidad, lea nuestra política de privacidad en www.venta-usa.com

OPCIÓN DE SERVICIO: VENTA KUUBEL XL-T

Si prefiere que la fábrica se encargue de su problema, para las reparaciones en el marco de la garantía o si quiere utilizar el servicio de limpieza de la fábrica para su Kuubel XL-T, llame a nuestro servicio de atención al cliente al teléfono gratuito 1 (888) 333-8218 para obtener un número de autorización de devolución de mercancías (RMA, en sus siglas en inglés). Adjunte una etiqueta al producto que incluya su nombre, dirección, número de teléfono al que podamos llamarlo en horario diurno y la descripción del problema. Incluya una copia de la factura de venta original y la tarjeta de garantía si aún no las ha presentado. Para los productos comprados en Estados Unidos, empaquete con cuidado el producto en su embalaje original y envíenlo por UPS o Parcel Post con el transporte y seguro ya pagados a: Venta Air Technologies Inc., US Headquarters, 300 N Elizabeth St., Suite 220B, Chicago, IL 60607.

GARANTÍA LIMITADA DE DOS (2) AÑOS

Antes de devolver el producto al vendedor, llame al servicio de atención al cliente de Venta para solucionar cualquier problema. Si tiene preguntas respecto a esta garantía, llame al 1-888-333-8218 o escriba a: Venta Air Technologies Inc., US Headquarters, 300 N Elizabeth St., Suite 220B, Chicago, IL 60607. Para registrar el producto, devuelva la tarjeta de garantía adjunta. Venta garantiza que durante un período de dos (2) años desde la fecha de compra, este producto no presentará defectos de material ni de calidad. A su discreción, Venta reparará o sustituirá el producto o cualquiera de los componentes del mismo que estén defectuosos durante el período de vigencia de su garantía. Las sustituciones se harán por un producto o componente nuevo. Si el producto ya no está disponible, la sustitución se hará por un producto similar o de igual o mayor valor. Esta es su garantía original. Esta garantía es válida para el comprador original a partir de la fecha de compra y no es transferible. Debe rellenar y devolver su tarjeta de garantía para que la garantía se active. Además, debe guardar la factura de venta original; es necesaria una prueba de compra para obtener servicios en virtud de esta garantía. Esta garantía no cubre el desgaste normal de las piezas ni los daños producidos por alguno de los siguientes motivos: Uso negligente o mal uso del producto, uso con un voltaje o corriente inadecuados, uso distinto al indicado en las instrucciones de funcionamiento, desmontaje, reparaciones o modificaciones por cualquier persona que no pertenezca a Venta. Asimismo, la garantía no cubre los casos de fuerza mayor, como los incendios, inundaciones, huracanes y tornados. Venta no asume la responsabilidad de ningún daño accidental o consecuente provocado por el incumplimiento de cualquier garantía explícita o implícita. Excepto en la medida en que lo prohíba la ley aplicable, la duración de cualquier garantía implícita de comercialización o adecuación para un fin determinado está limitada a la duración de la garantía anterior. Algunos estados, provincias o jurisdicciones no permiten la exclusión o la limitación de los daños accidentales o consecuentes ni la limitación de la durabilidad de una garantía implícita, por lo que es posible que las limitaciones anteriormente mencionadas no se apliquen en su caso. Esta garantía le otorga derechos legales específicos, y puede que goce de otros derechos que varían según el estado.

Venta Air Technologies Inc.
US Headquarters

300 N Elizabeth St.
Suite 220B
Chicago, IL 60607

(888) 333-8218
www.venta-usa.com

Item No. 2910436,
Druckdatum



© 2017/10_V01