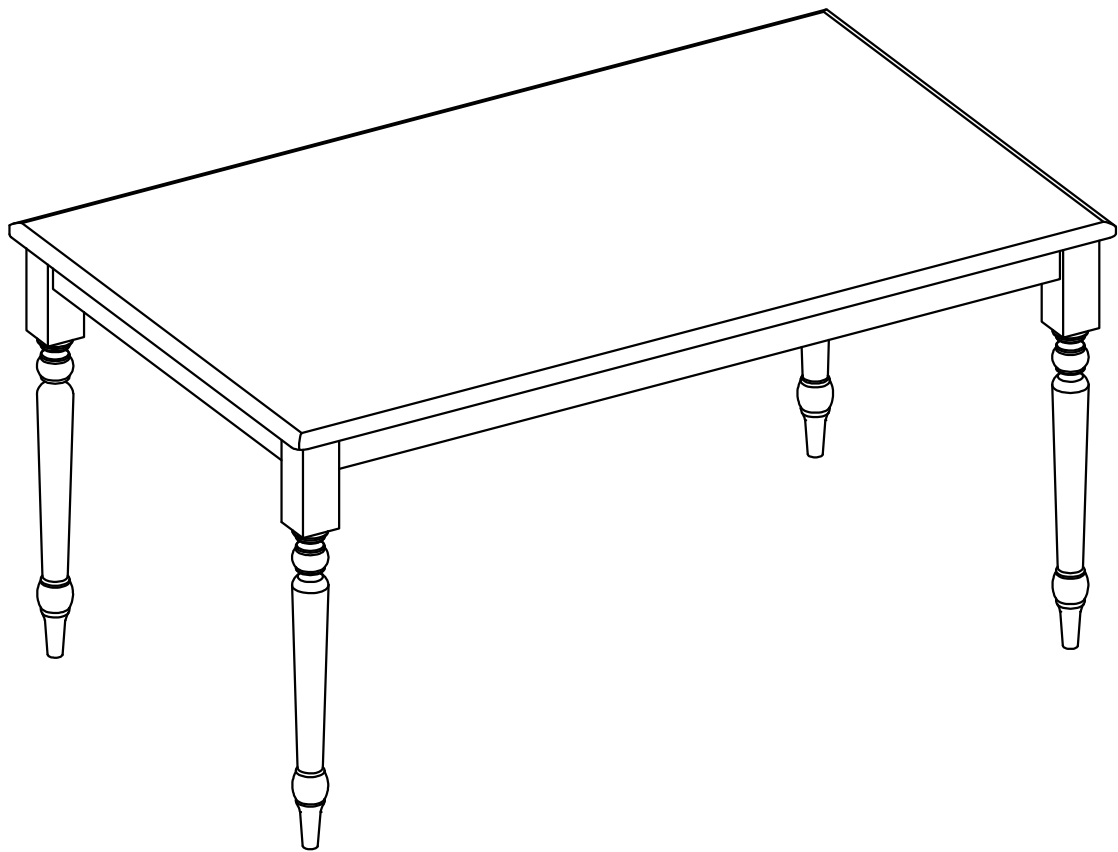


Boraam Industries

FARMHOUSE TABLE
ASSEMBLY INSTRUCTIONS





PLEASE READ ME FIRST



- Have questions about assembling your item?



- Item or parts damaged?



- Missing a part?



- We're here to help!



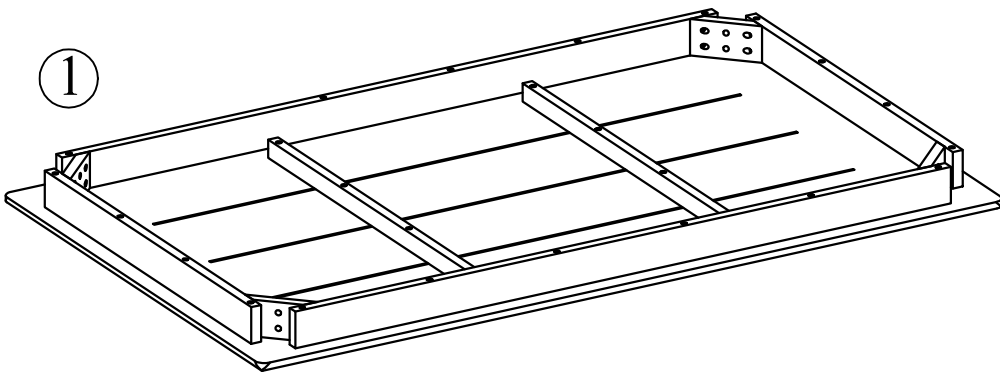
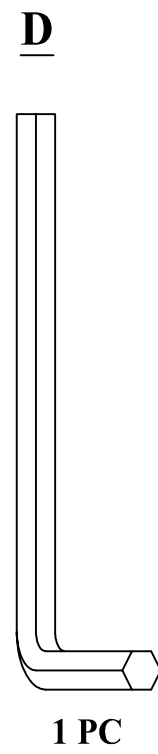
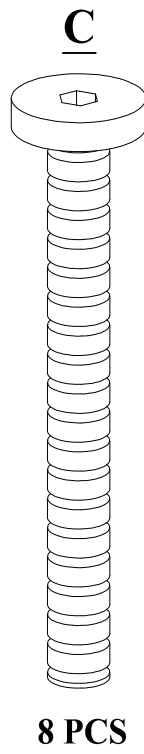
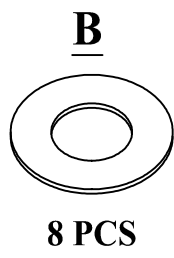
(847)949-6300 (M-F, 9am-5pm CST)



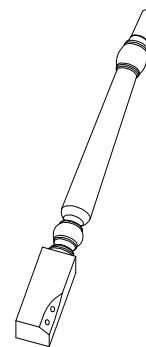
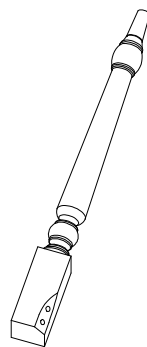
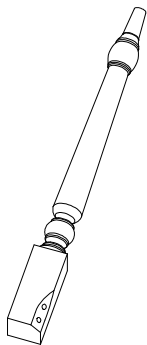
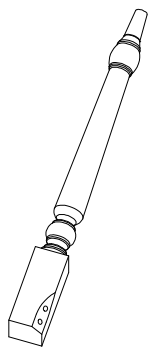
www.boraamindustries.com



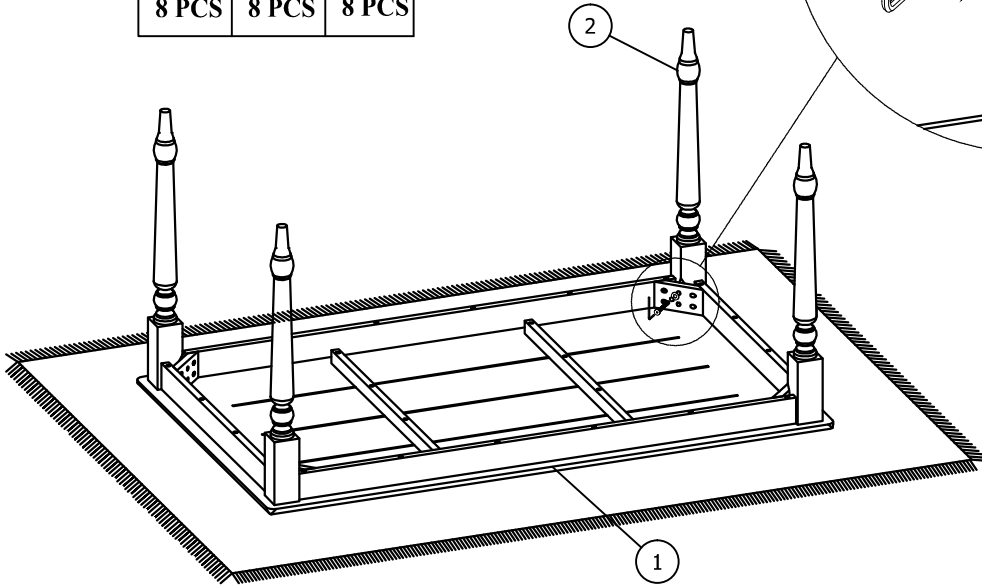
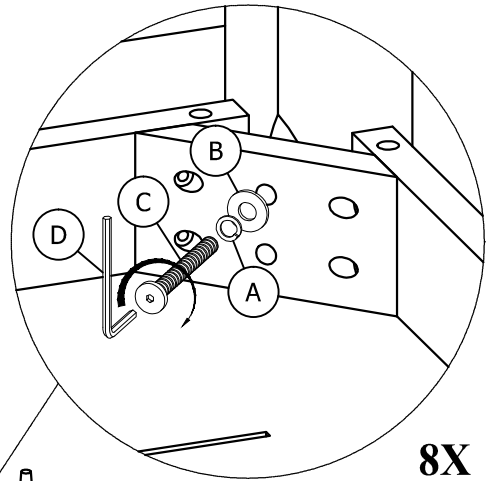
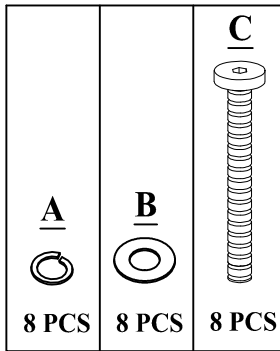
customerservice@boraamindustries.com



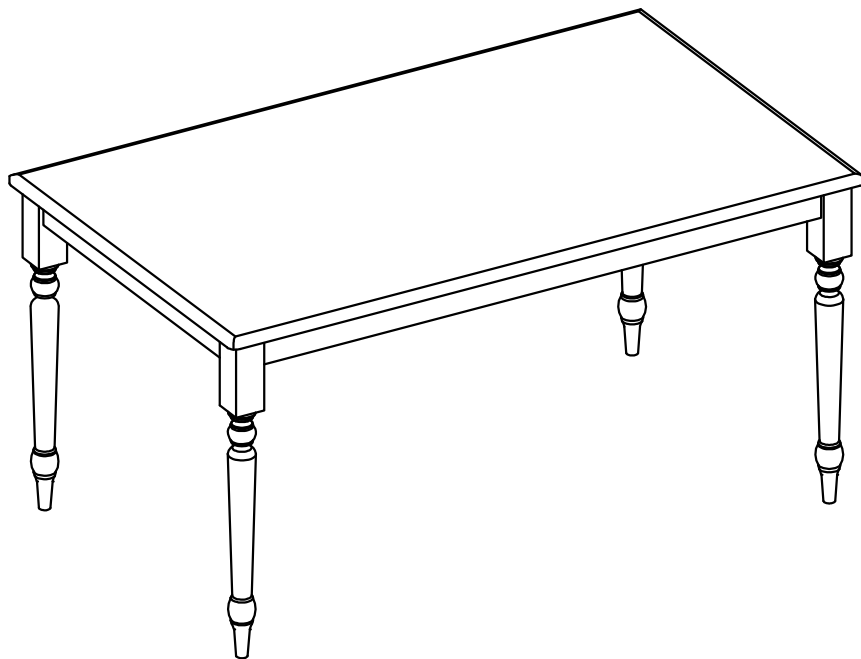
②



01



TIGHTEN BOLT COMPLETELY.



BE SURE TO CHECK ALL BOLTS ARE SECURELY TIGHTENED PRIOR USING THIS TABLE.