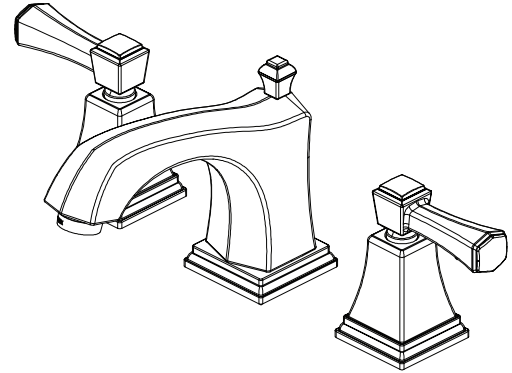


Model

FF-PATW8

Available Finishes

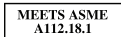
Brushed Nickel (BN)
Brushed Bronze (BB)
Chrome (CP)



Standards



- IAPMO UPC/cUPC
- NSF 61-9



- ASME A112.18.1



- CA AB-1953 (less than 0.25% lead content)



- ADA Accessibility Guidelines for Buildings and Facilities 4.27.4 Controls and Mechanisms

General Description

Cast brass valve bodies with reinforced flexible hose connections for 6" to 12" (152mm to 305mm) installations. 1/4 turn washerless ceramic disc valve cartridges. Brass spout. One-half inch male inlet shanks with brass coupling nuts and shank nuts. 50/50 drain body with 1-1/4" (32mm) tailpiece. 2.2 gpm/(8.3 Lpm) maximum flow rate.

Product Features

- Ceramic Disc Valve Cartridges
- Cast Brass Valve Bodies
- Metal Lever Handles
- 50/50 Pop-Up Drain Assembly
- 100% Factory Pressure Tested

Suggested Specification

Two handle widespread lavatory faucet shall feature cast brass valve bodies with reinforced flexible hose connections for 6" to 12" installations. Shall also feature 1/4 turn washerless ceramic disc valve cartridges. Fitting shall be Fontaine Model #FF-PATW8-__.

Flow Rate

2.2 gallons per minute (8.3 liters per minute)
maximum flow rate at 60 psi.

