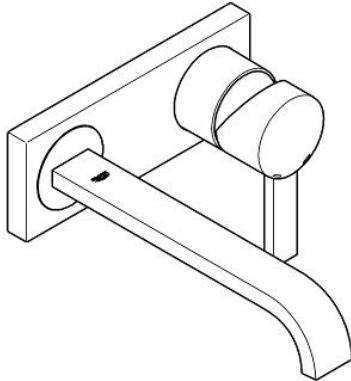


MODEL # 19387

Pure Freude an Wasser



GROHE America, Inc | 200 North Gary Avenue, Suite G, Roselle, IL 60172  
Phone: +1 (800) 444-7643 | Fax: +1 (800) 225-2778 | us-customerservice@grohe.com



**Product Description:**

**Standard Specification:**

**Color:**

- 19387 00A chrome
- 19387 000 chrome

