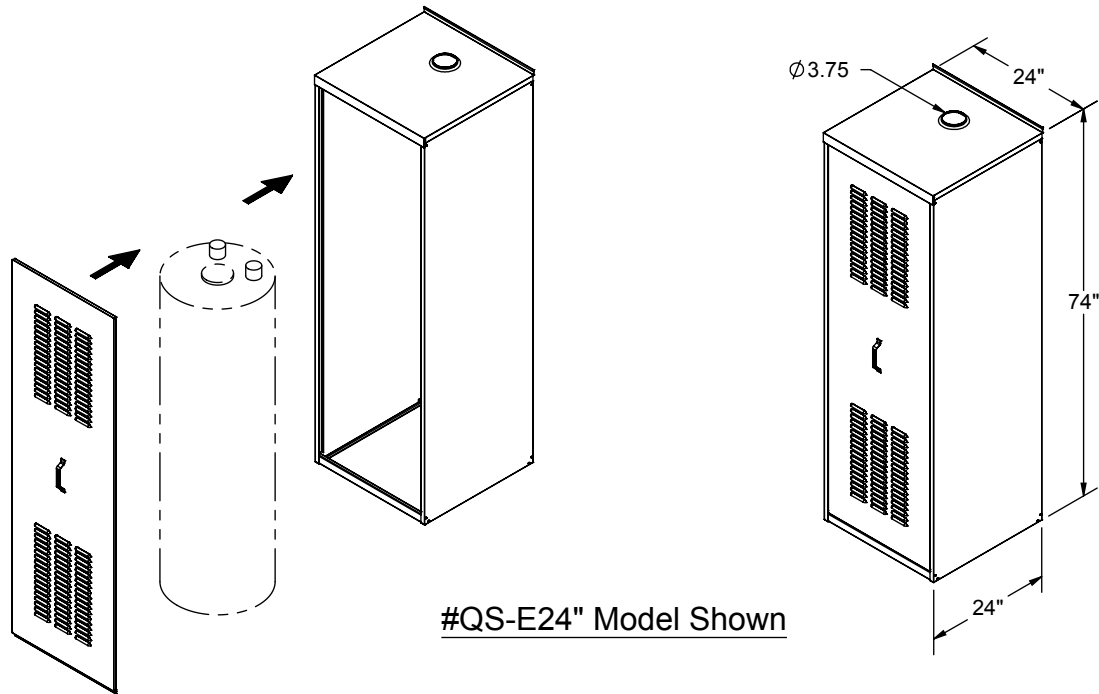


PRODUCT SPECIFICATION DRAWING

QUICK SHED™ #QS-E24, QS-E26 & #QS-E30

Water Heater Enclosures (24", 26" & 30" Models)



The **HOLDRITE® QUICK SHED™** Water Heater Enclosures are constructed of galvanized steel and provide protection for water heaters installed in outdoor locations. Anchor points at the rear of the enclosure allows for optional attachment to the adjacent building structure.

Product Information:

- Material:
 - Top, Door, Left & Right Side: .018" - .021" Thick, Galvanized CRS
 - Back Brace & Beam: .023" - .026" Thick, Galvanized CRS
 - Handle: 16GA, Galvanized CRS
- Weight (without Packaging & Water Heater):
 - Model #QS-E24 = 39 LBS
 - Model #QS-E26 = 42 LBS
 - Model #QS-E30 = 49 LBS
- Outside dimensions:
 - Model #QS-E24 = 24" x 24" x 74"
 - Model #QS-E26 = 26" x 26" x 74"
 - Model #QS-E30 = 30" x 30" x 74"
- Water Heater Dimensions:
 - QS-E24: Up to 40 gallons or 22" diameter by 68" high
 - QS-E26: Up to 40 gallons or 24" diameter by 68" high
 - QS-E30: Up to 80 gallons or 27" diameter by 68" high

THIS INFORMATION IS PROPRIETARY TO HOLDRITE AND IS SUBJECT TO CHANGE WITHOUT NOTICE. IT MAY NOT BE REPRODUCED IN PART OR WHOLE WITHOUT WRITTEN AUTHORIZATION.

HOLDRITE®

CONVERTING MAKESHIFT METHODS INTO ENGINEERED SOLUTIONSSM
 800-321-0316 OR 760-744-6944 / FAX: 760-744-0507 / WWW.HOLDRITE.COM
 spec_QuickShed_24_26_30_RevE

| Product Submittal | |
|--------------------|------|
| Job Name: | |
| Date: | |
| Part Number: | Qty: |
| | |
| Architect / Owner: | |
| | |
| Contractor: | |
| | |
| Notes: | |
| | |
| | |