

CROSS REFERENCE CHARTS

CROSS REFERENCE DOOR CLOSERS

GLOBAL	LCN	NORTON	DORMA	DOR-O-MATIC FALCON	RIXSON	SARGENT	YALE	CORBIN- RUSSWIN	ARROW
TC300	NA	1700	TS77	SC91	NA	NA	2201	NA	NA
TC2200	NA	9300	644	SC90	NA	NA	2300BC	NA	NA
TC200	1070	1600*	600	SC60/61	NA	1130	51*	DC4600	1000
TC400	NA	8301*	8600	SC80	M2220PH	1330	3301*	NA	5000
TC500	NA	8501*	NA	SC81	M2220	M30	3501*	DC3200	5000
TC600	NA	NA	NA	NA	NA	NA	NA	NA	NA
TC901	NA	NA	NA	NA	NA	NA	NA	NA	NA
TC4361	1460*	NA	NA	NA	NA	NA	NA	NA	NA
TC4300	4040*	7500/7700	8916	SC71	NA	351	P400	DC6000	NA
TC7000	NA	NA	RTS-88	OHC100	608	NA	NA	NA	NA
TC7700	NA	NA	NA	NA	NA	NA	NA	NA	NA

GLOBAL	CAL-ROYAL	INTERNATIONAL	JACKSON	RYOBI	SENTINEL	S. PARKER	TACO	TAYMOR	CRL
TC300	400	61/951	NA	NA	S40	NA	EV66	500	DC51
TC2200	700	90/680/780 850/880/980 750/8050	S225-255	D-1550	S52/S55/S70	530/950	DX50/DX90	600	DC52-5
TC200	NA	NA	NA	NA	S50/S51	NA	NA	NA	NA
TC400	801	5050	NA	D-3551	NA	BF900	70	NA	PR50
TC500	8015	5000	NA	D-3550	NA	900BC	70	NA	PR52
TC600	900	9000	NA	NA	S2500	NA	NA	1900	NA
TC901	NA	NA	NA	NA	QUIETOUCH	NA	NA	NA	NA
TC4361	NA	NA	NA	NA	NA	NA	NA	NA	NA
TC4300	CR441	4400	NA	NA	NA	NA	CTP4041	NA	PR90
TC7000	NA	100/200	20-330	30	S30	400	32	NA	300/7000/8000
TC7700	NA	NA	NA	NA	NA	NA	NA	NA	NA

CROSS REFERENCE MODEL NUMBERS ARE EQUIVALENT OR COMPARABLE DUTY, EXACT MOUNTING HOLE DIMENSIONS MAY VARY
*RETROFIT INSTALLATION HOLE FOR HOLE

MODEL SIZE SELECTION

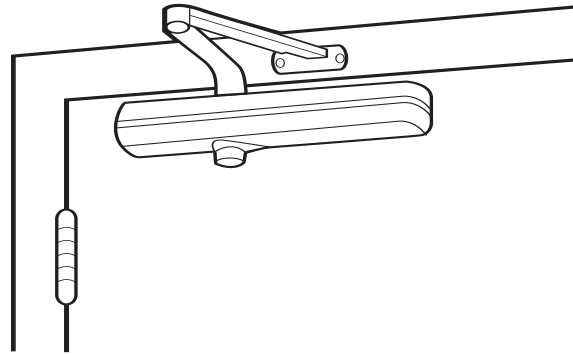
TC4361 SERIES			
TC4361	60" Interior/48" Exterior	258 lbs.	Adjustable 1-6
TC200 SERIES			
TC201ADA	44" Interior/36" Exterior	243 lbs.	Adjustable 1-4
TC201	48" Interior/42" Exterior	258 lbs.	Adjustable 3-6
TC203	36" Interior/30" Exterior	155 lbs.	3
TC204	44" Interior/36" Exterior	243 lbs.	4
TC205	48" Interior/42" Exterior	250 lbs.	5
TC2200 SERIES			
TC2201ADA	44" Interior/36" Exterior	243 lbs.	Adjustable 1-4
TC2202	32" Interior	137 lbs.	2
TC2203	36" Interior/30" Exterior	155 lbs.	3
TC2204	44" Interior/36" Exterior	243 lbs.	4
TC2205	48" Interior/42" Exterior	250 lbs.	5
TC300 SERIES			
TC302	32" Interior	137 lbs.	2
TC303	36" Interior/30" Exterior	155 lbs.	3
TC304	44" Interior/36" Exterior	243 lbs.	4
TC400 SERIES			
TC411ADA	44" Interior/36" Exterior	243 lbs.	Adjustable 1-4
TC412	60" Interior/48" Exterior	258 lbs.	Adjustable 2-6
TC4300 SERIES			
TC4300	60" Interior/48" Exterior	258 lbs.	Adjustable 1-6
TC500 SERIES			
TC511ADA	44" Interior/36" Exterior	243 lbs.	Adjustable 1-4
TC512	60" Interior/48" Exterior	258 lbs.	Adjustable 2-6
TC600 SERIES			
TC611ADA	44" Interior/36" Exterior	243 lbs.	Adjustable 1-4
TC612	60" Interior/48" Exterior	258 lbs.	Adjustable 2-6
TC7000 SERIES			
TC7010ADA	60" Interior/48" Exterior	225 lbs.	Adjustable 1-6
TC7011ADA	60" Interior/48" Exterior	225 lbs.	Adjustable 1-6
TC7020	36" Interior/30" Exterior	125 lbs.	3
TC7021	36" Interior/30" Exterior	125 lbs.	3
TC7022	36" Interior/30" Exterior	125 lbs.	3
TC7023	36" Interior/30" Exterior	125 lbs.	3
TC7030	44" Interior/36" Exterior	175 lbs.	4
TC7031	44" Interior/36" Exterior	175 lbs.	4
TC7032	44" Interior/36" Exterior	175 lbs.	4
TC7033	44" Interior/36" Exterior	175 lbs.	4
TC7040	48" Interior/42" Exterior	225 lbs.	5
TC7041	48" Interior/42" Exterior	225 lbs.	5
TC7042	48" Interior/42" Exterior	225 lbs.	5
TC7043	48" Interior/42" Exterior	225 lbs.	5
TC7700 SERIES			
TC7720	36" Interior/30" Exterior	155 lbs.	3
TC7721	36" Interior/30" Exterior	155 lbs.	3
TC7722	36" Interior/30" Exterior	155 lbs.	3
TC7730	44" Interior/36" Exterior	243 lbs.	4
TC7731	44" Interior/36" Exterior	243 lbs.	4
TC7732	44" Interior/36" Exterior	243 lbs.	4
TC7740	48" Interior/42" Exterior	375 lbs.	5
TC7741	48" Interior/42" Exterior	375 lbs.	5
TC7742	48" Interior/42" Exterior	375 lbs.	5

APPLICATIONS

REGULAR ARM (PULL SIDE)

This is the only pull-side application where a double lever arm is used. It is the most power efficient application for a door closer. Sufficient frame, door and/or ceiling clearance must be considered.

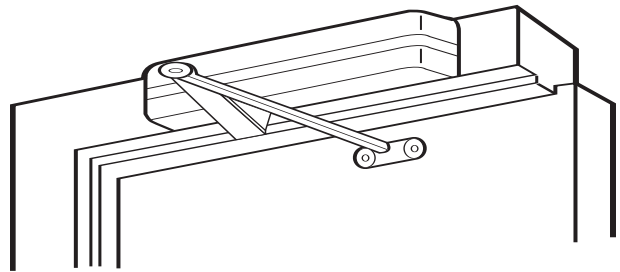
Since the arm assembly projects directly out from the frame, this application may present aesthetic issues and be subject to additional maintenance.



TOP JAMB (PUSH SIDE)

For efficiency reasons this application on provides the best alternative to the regular arm application. It requires a top rail on the door of just 2-1/4". This application provides the best door control for door in exterior walls that swing out of a building.

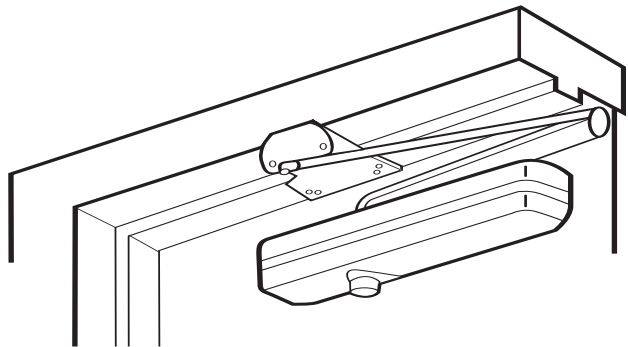
The entire door closer and arm assemble project from the frame, similar to the regular arm application, where matters of appearance and abuse can be of concern. Consideration must be given to the depth of the reveal. For reveals exceeding 27/8" top jamb extended is recommended.



PARALLEL ARM (PUSH SIDE)

This application provides the most appealing design appearance for a surface-mounted door closer having a double lever arm. This also makes it beneficial in abuse-prone areas. It is on the push side of the door and the arm assembly extends almost parallel to the door. In the closed position, there is very little or no hardware projecting beyond the frame face in most situations.

Due to the geometry of the arm it is approximately 25% less power efficient than a regular arm application. The entire closer and arm assembly are mounted below the frame stop. Top rail clearance dimensions will vary based on the type of cover used.



ALL DIAGRAMS NON-HOLD OPEN ARM SHOWN
*REFER TO INSTALLATION INSTRUCTIONS PACKAGED WITH CLOSER FOR MEASUREMENTS AND HOLE LOCATIONS