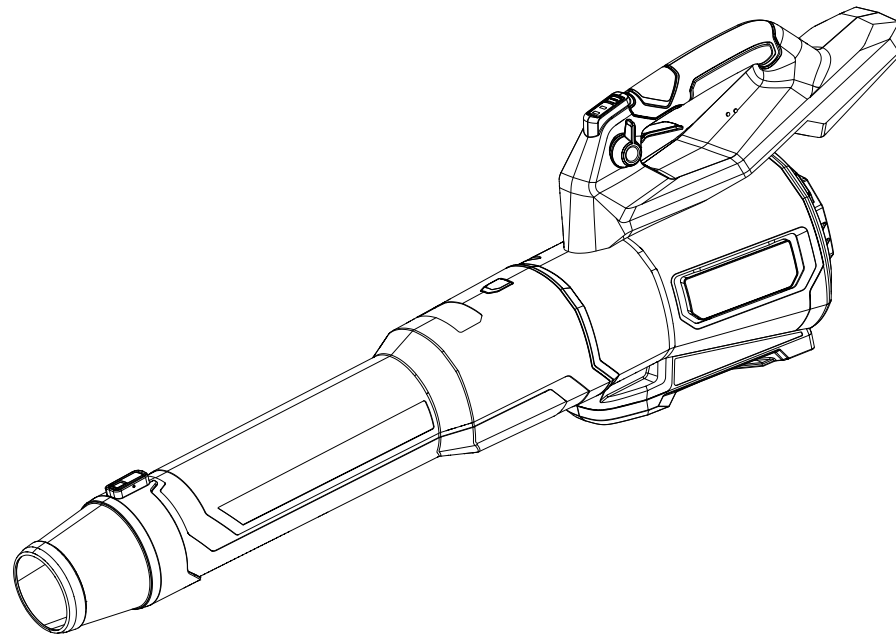


REPAIR SHEET

BRAND RYOBI		DESCRIPTION 40 Volt HP 800 CFM Brushless Blower
MODEL NO. RY40HPLB01	MFG. NO. 106003001	



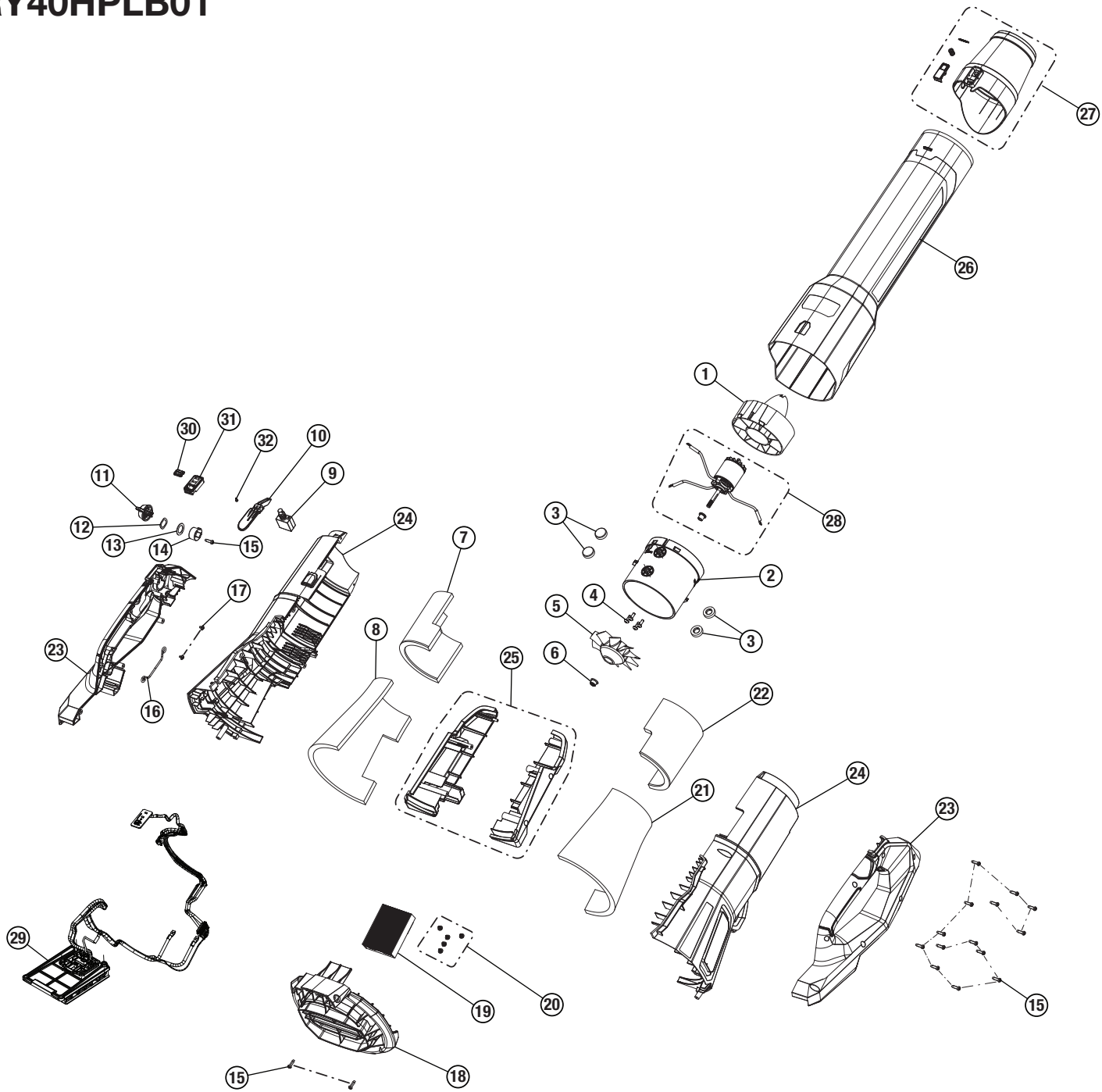
TTI OUTDOOR POWER EQUIPMENT, INC.

P.O. Box 1288, Anderson, SC 29622 ■ 1-800-525-2579 ■ www.ryobitools.com

5-29-25 (Rev:01)

The model number and manufacturing location will be found on a label attached to the product. Always mention this information in all communications regarding this product and when ordering parts.

FIGURE A



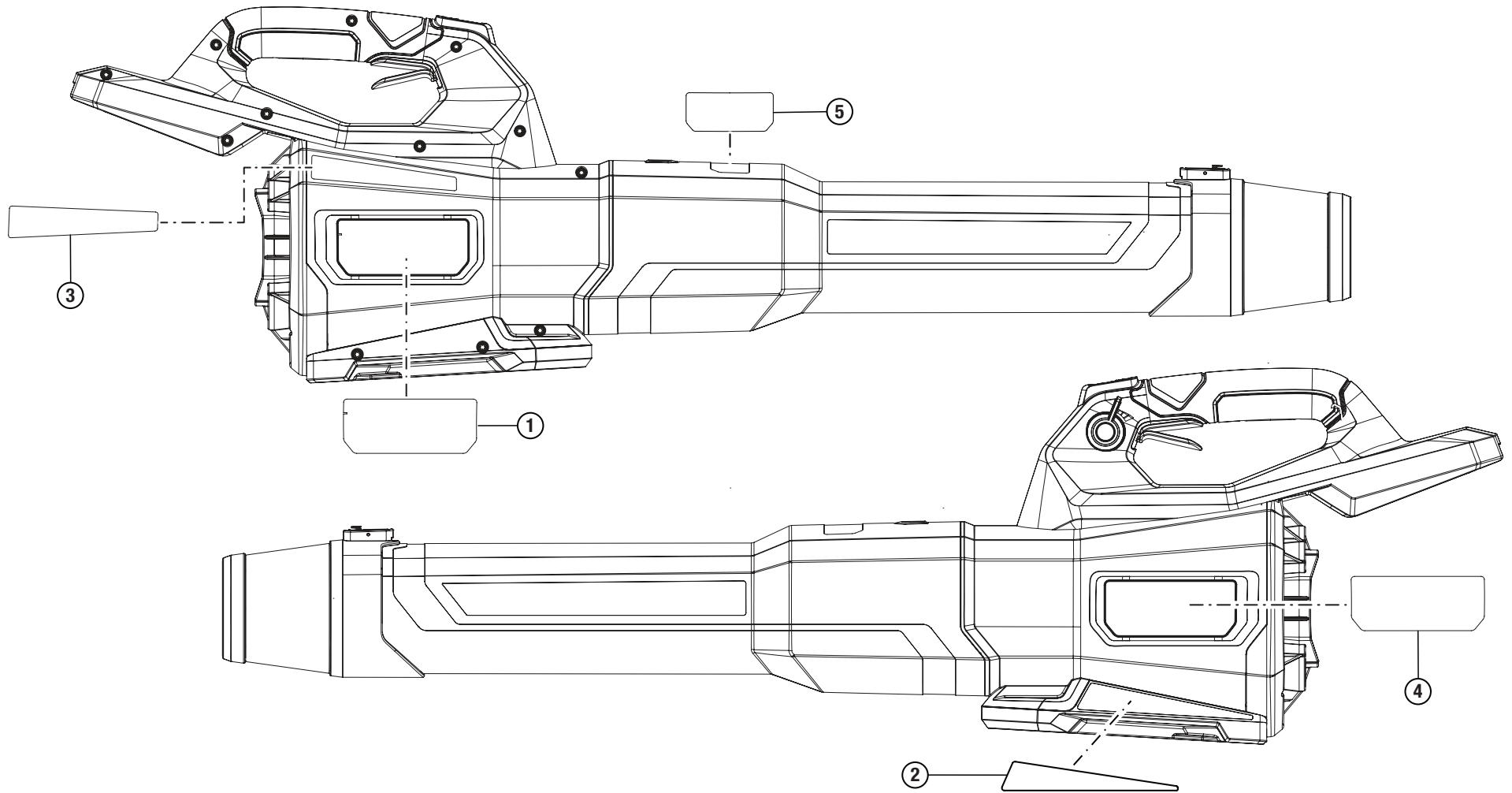


RY40HPLB01

PARTS LIST - FIGURE A

KEY NO.	PART NO.	DESCRIPTION	QTY.
1	554154001	Tail Cone	1
2	554153001	Stator	1
3	564887001	Rubber Isolator	2
4	660137001	Screw (M4 x 12 mm)	4
5	554152001	Fan	1
6	678774009	Lock Nut (M6 x 1 mm)	1
7	904735001	Outlet Left Foam	1
8	904733001	Inlet Left Foam	1
9	760777001	Switch	1
10	543749001	Trigger	1
11	552849001	Cruise Control Lever	1
12	636095001	Wave Washer	1
13	635793001	Flat Washer	1
14	543851001	Actuator Trigger	1
15	661817001	Screw (T15, M4 x 13.5 mm)	17
16	699936001	Grounding Strap	1
17	660290004	Screw (M3)	2

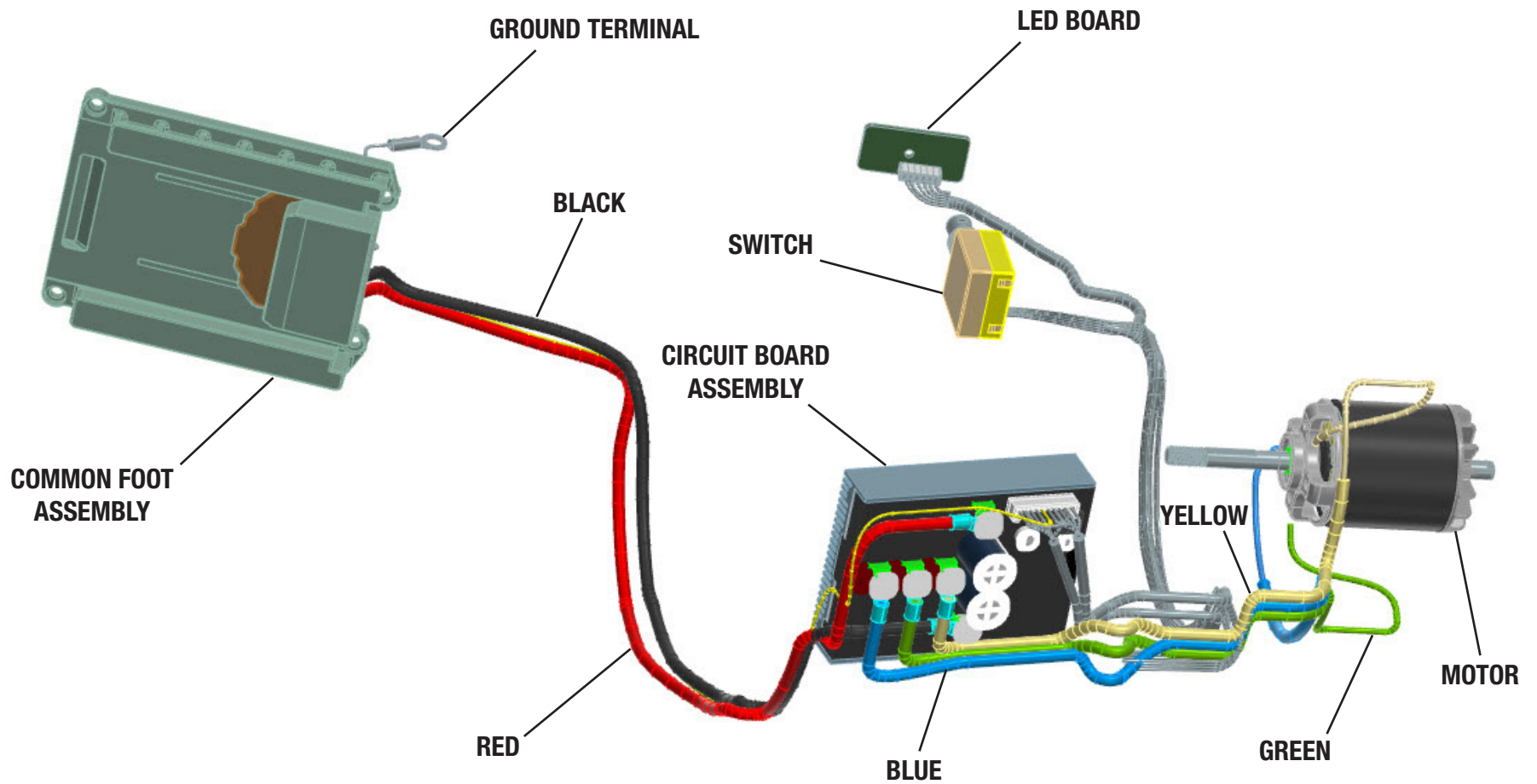
KEY NO.	PART NO.	DESCRIPTION	QTY.
18	554155001	Inlet Guard	1
19	295004001	Circuit Board Assembly	1
20	663467001	Screw (M3, T10)	5
21	904734001	Inlet Right Foam	1
22	904736001	Outlet Right Foam	1
23	205634007	Handle Assembly	1
24	205634008	Main Housing Assembly	1
25	205634009	Base Assembly	1
26	205634010	Blow Tube Assembly	1
27	205634006	Speed Tip Assembly	1
28	205396004	Motor Assembly	1
29	205857007	Common Foot & LED Board Assembly	1
30	568634001	Mode Button	1
31	553395001	Cover	1
32	660201001	Screw (M2.6 x 5 mm)	1
	Not Shown:		
	999000308	Operator's Manual	1



PARTS LIST - LABELS

KEY NO.	PART NO.	DESCRIPTION	QTY.
1	941263392	Warning Trilingual Label	1
2	941263492	Whisper Logo Label	1
3	941263490	Icon Label	1

KEY NO.	PART NO.	DESCRIPTION	QTY.
4	941201180	Logo Label	1
5	940779892	HP Brushless Label	1



WIRING DIAGRAM