



# TWIN BUNK BED

Model Number:	UPC Code:	Color:
DL7519E	0-65857-17348-2	Espresso
DL7519W	0-65857-17349-9	White

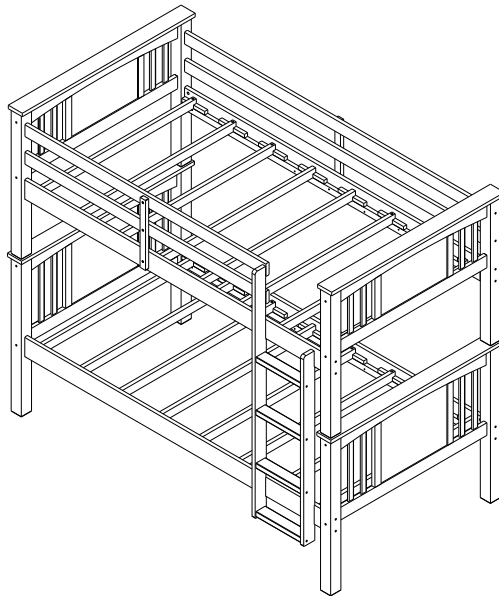
Congratulations on your latest furniture purchase! **Dorel Living** furniture has been developed with quality, convenience and style in mind. We trust it will provide you with many years of exceptional comfort and service.

Before beginning assembly, we encourage you to familiarize yourself with your new furniture piece by taking a few minutes to go through this booklet. It contains important information on our warranty and care tips to keep your furniture looking as good as new.

Customer satisfaction is important to us at Dorel Asia. Our agents are available Monday to Friday 8am to 5pm (EST) to answer any question you may have. For faster service, always have the model number ready when calling our toll free number **1-800-295-1980** or emailing us at **das@dorel.com**.

For more great furniture ideas, check out our website at [www.dorelliving.com](http://www.dorelliving.com)

You can also keep up to date on all the latest trends by liking our [Facebook page](#).



Date of Purchase: \_\_\_\_ / \_\_\_\_ / \_\_\_\_

Lot Number: \_\_\_\_\_  
(taken from carton)

**DO NOT RETURN PRODUCT TO THE STORE.** If a part is missing or damaged, contact our customer service department. We will replace the part **FREE** of charge.

NOTE: THIS INSTRUCTION BOOKLET CONTAINS **IMPORTANT** SAFETY INFORMATION. PLEASE READ AND KEEP FOR FUTURE REFERENCE.

## CUSTOMER SERVICE

If you are missing parts or have any questions about this product, contact our customer service representative first!



**CALL 1-800-295-1980**

You can also order parts by writing to the address listed below. Please include the product model number, color and a detailed description of the part.

**Customer Service Department No. 413**  
**12345 Albert-Hudon Boulevard, Suite 100**  
**Montreal, Quebec**  
**Canada, H1G 3L1**  
**E-MAIL: [das@dorel.com](mailto:das@dorel.com)**



# WARNING

- \* **STRANGULATION HAZARD** - NEVER ATTACH OR HANG ITEMS TO ANY PART OF THE BUNK BED THAT ARE NOT DESIGNED FOR USE WITH THE BED; FOR EXAMPLE, BUT NOT LIMITED TO HOOKS, BELTS AND JUMP ROPES.
- \* FOLLOW THE INFORMATION ON THE WARNINGS APPEARING ON THE UPPER BUNK END STRUCTURE AND ON THE CARTON. DO NOT REMOVE WARNING LABEL FROM BED.
- \* THE MATTRESS PLATFORM IS DESIGNED TO SUPPORT A MATTRESS WITHOUT THE NEED FOR A POSTURE BOARD OR BOX SPRING.
- \* ALWAYS USE THE RECOMMENDED SIZE MATTRESS OR MATTRESS SUPPORT, OR BOTH, TO HELP PREVENT THE LIKELIHOOD OF ENTRAPMENT OR FALLS.
- \* **USE ONLY COIL SPRING MATTRESSES ON BOTH THE UPPER AND LOWER BUNKS. FAILURE TO DO SO CAN RESULT IN INJURY.**
- \* USE ONLY MATTRESSES WHICH ARE 74"-75" LONG AND 37 1/2" - 38 1/2" WIDE ON UPPER AND ON LOWER BUNKS. ENSURE THICKNESS OF MATTRESS DOES NOT EXCEED 6". SURFACE OF MATTRESS MUST BE AT LEAST 5" (127MM) BELOW THE UPPER EDGE OF GUARDRAILS.
- \* DO NOT ALLOW CHILDREN UNDER 6 YEARS OF AGE TO USE THE UPPER BUNK.
- \* ALWAYS USE GUARDRAILS ON BOTH LONG SIDES OF THE UPPER BUNK. IF THE BUNK BED WILL BE PLACED NEXT TO THE WALL, THE GUARDRAIL THAT RUNS THE FULL LENGTH OF THE BED SHOULD BE PLACED AGAINST THE WALL TO PREVENT ENTRAPMENT BETWEEN THE BED AND WALL (APPLICABLE FOR BUNK BEDS WITH FULL LENGTH GUARDRAILS ON ONE SIDE).
- \* PERIODICALLY CHECK AND ENSURE THAT THE GUARDRAIL, LADDER AND OTHER COMPONENTS ARE IN THEIR PROPER POSITION, FREE FROM DAMAGE, AND THAT ALL CONNECTORS ARE TIGHT.
- \* DO NOT ALLOW HORSEPLAY ON OR UNDER THE BED AND PROHIBIT JUMPING ON THE BED.
- \* DO NOT USE SUBSTITUTE PARTS. CONTACT CUSTOMER SERVICE FOR REPLACEMENT PARTS.
- \* USE OF A NIGHT LIGHT MAY PROVIDE ADDED SAFETY PRECAUTION FOR A CHILD USING THE UPPER BUNK.
- \* THE USE OF WATER OR SLEEP FLOTATION MATTRESSES IS PROHIBITED.
- \* ALWAYS USE THE LADDER FOR ENTERING AND LEAVING THE UPPER BUNK.
- \* PROHIBIT MORE THAN ONE PERSON ON UPPER BUNK.
- \* KEEP THESE INSTRUCTIONS FOR FUTURE USE.

## NOTES

- \* READ EACH STEP CAREFULLY BEFORE STARTING. IT IS VERY IMPORTANT THAT EACH STEP OF INSTRUCTION IS PERFORMED IN THE CORRECT ORDER. IF THESE STEPS ARE NOT FOLLOWED IN SEQUENCE, ASSEMBLY DIFFICULTIES WILL OCCUR AND CAN RESULT IN INJURY.
- \* **CAUTION:** ADULT ASSEMBLY REQUIRED
- \* MAKE SURE ALL PARTS ARE INCLUDED. WORK IN SPACIOUS AREA, PREFERABLY ON A SMOOTH SOFT SURFACE.
- \* ASSEMBLY WILL REQUIRE TWO PEOPLE.
- \* MOST BOARD PARTS ARE LABELED OR STAMPED ON THE RAW EDGE.
- \* PHILLIPS SCREWDRIVER (NOT INCLUDED) IS REQUIRED.
- \* A RUBBER Mallet (NOT INCLUDED) IS RECOMMENDED TO FACILITATE ASSEMBLY.
- \* BED IS DESIGNED FOR CHILDREN RANGING FROM 6 YEARS OF AGE TO YOUNG TEENAGERS.

### CARE AND CLEANING

Dust regularly with a soft, dry cloth. We do not recommend the use of chemical cleaners or wax on our lacquered furniture as it may damage the finish. Keep solvents, alcohol, nail polish and polish removers away from your hardwood furniture surfaces.

### MAINTENANCE

Check bolts/screws periodically and tighten them if necessary.

### LIMITED WARRANTY

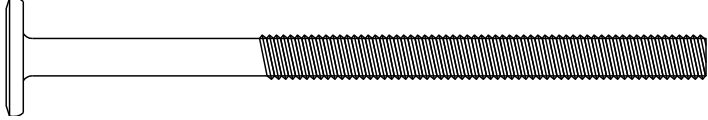
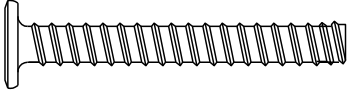
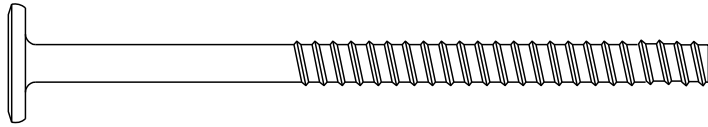


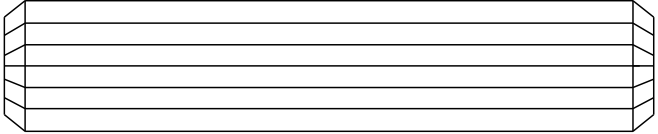
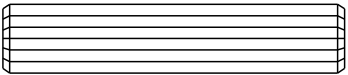
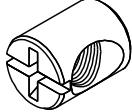
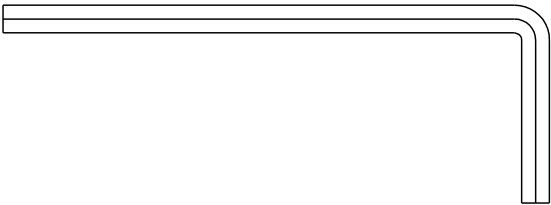
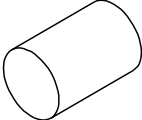
Dorel warrants its product to be free from defects in material and workmanship and agrees to remedy any such defect. This warranty covers 1 year from the date of original purchase. This warranty is valid only upon presentation of proof of purchase. This is solely limited to the repair or replacement of defective furniture components and no assembly labor is included. This warranty does not apply to any product which has been improperly assembled, subjected to misuse or abuse or which has been altered or repaired in any way. This warranty gives you specific legal rights and you may also have other rights which vary from State to State.



**WARNING: Should this product become damaged, and/or components are broken or missing, DO NOT USE.**

# TWIN BUNK BED DL7519E / DL7519W



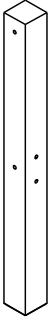


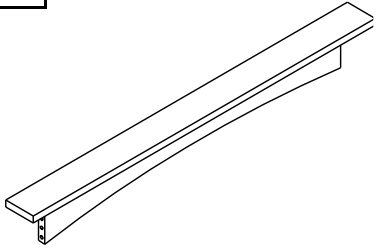
## HARDWARE LIST

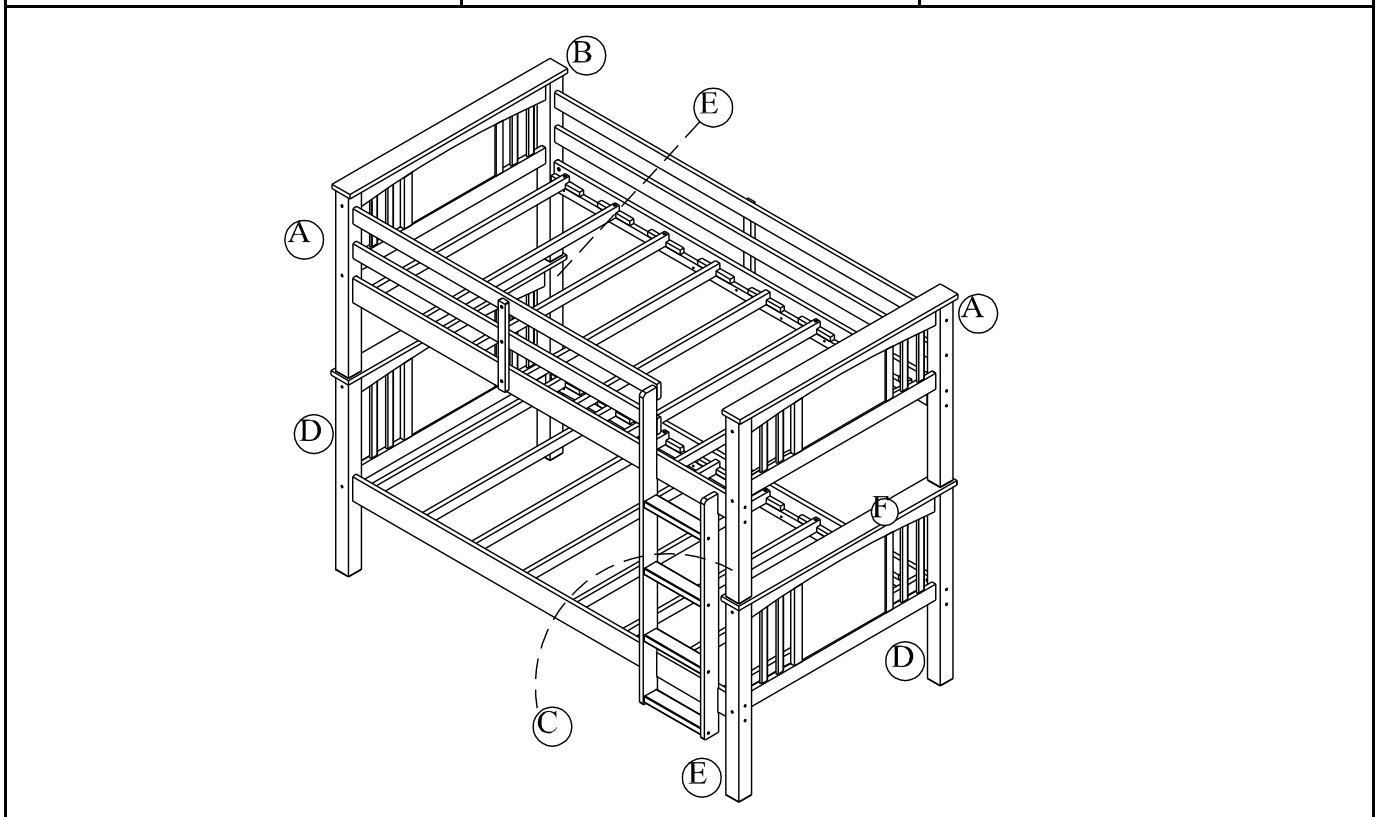
<b>1</b>	 $\text{Ø}1/4" \times 100\text{mm}$	<b>2</b>	 $\text{Ø}6.5\text{mm} \times 48\text{mm}$
JOINT CONNECTOR (4mm HEX HEAD) 16 PCS		WOOD JOINT CONNECTOR (4mm HEX HEAD) 14 PCS	
<b>3</b>	 $\text{Ø}6.5\text{mm} \times$	<b>4</b>	 $\text{Ø}4\text{mm} \times 35\text{mm}$
WOOD JOINT CONNECTOR (4mm HEX HEAD) 22 PCS		FLAT HEAD WOOD SCREW 24 PCS	
<b>5</b>	 $\text{Ø}4\text{mm} \times 30\text{mm}$	<b>6</b>	 $\text{Ø}19\text{mm} \times 95\text{mm}$
FLAT HEAD WOOD SCREW 6 PCS		WOOD DOWEL 4 PCS	
<b>7</b>	 $\text{Ø}10\text{mm} \times 50\text{mm}$	<b>8</b>	 $\text{Ø}11.8\text{mm} \times$
WOOD DOWEL 34 PCS		BARREL NUT 16 PCS	
<b>9</b>		<b>10</b>	
ALLEN KEY 1 PC		STOPPER 24 PCS	

# TWIN BUNK BED

## DL7519E / DL7519W

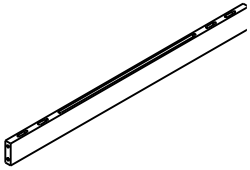
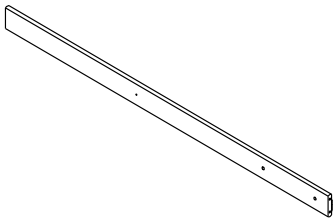
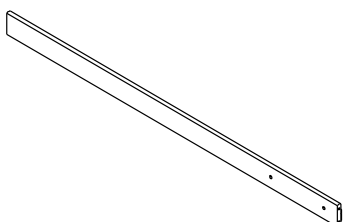
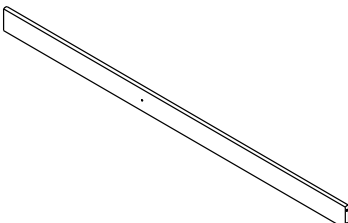
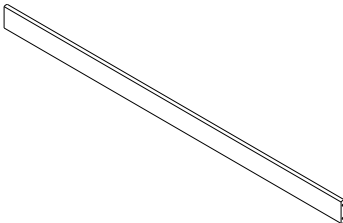
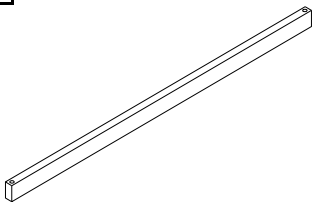
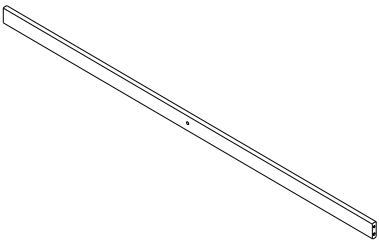
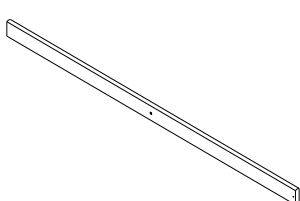
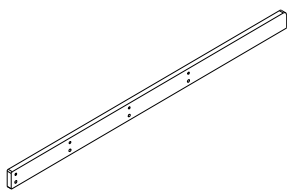
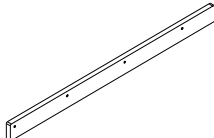
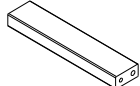

### PARTS LIST

<p><b>A</b></p> 	<p><b>B</b></p> 	<p><b>C</b></p> 
<p>TOP POST 2 PCS</p>	<p>TOP POST 1 PC</p>	<p>TOP POST 1 PC</p>
<p><b>D</b></p> 	<p><b>E</b></p> 	<p><b>F</b></p> 
<p>BOTTOM POST 2 PCS</p>	<p>BOTTOM POST 2 PCS</p>	<p>TOP HEADBOARD TOP CROSS - 2 PCS</p>




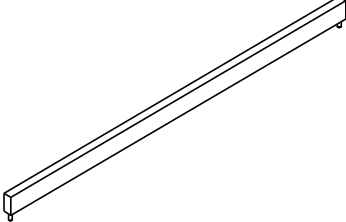


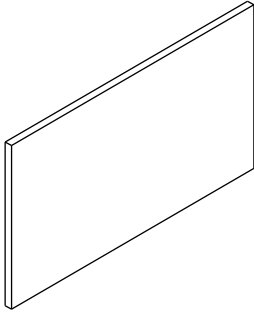

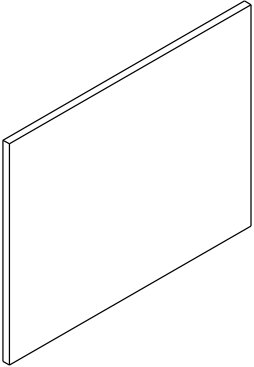
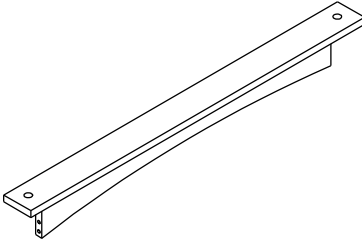
# TWIN BUNK BED DL7519E / DL7519W

## PARTS LIST

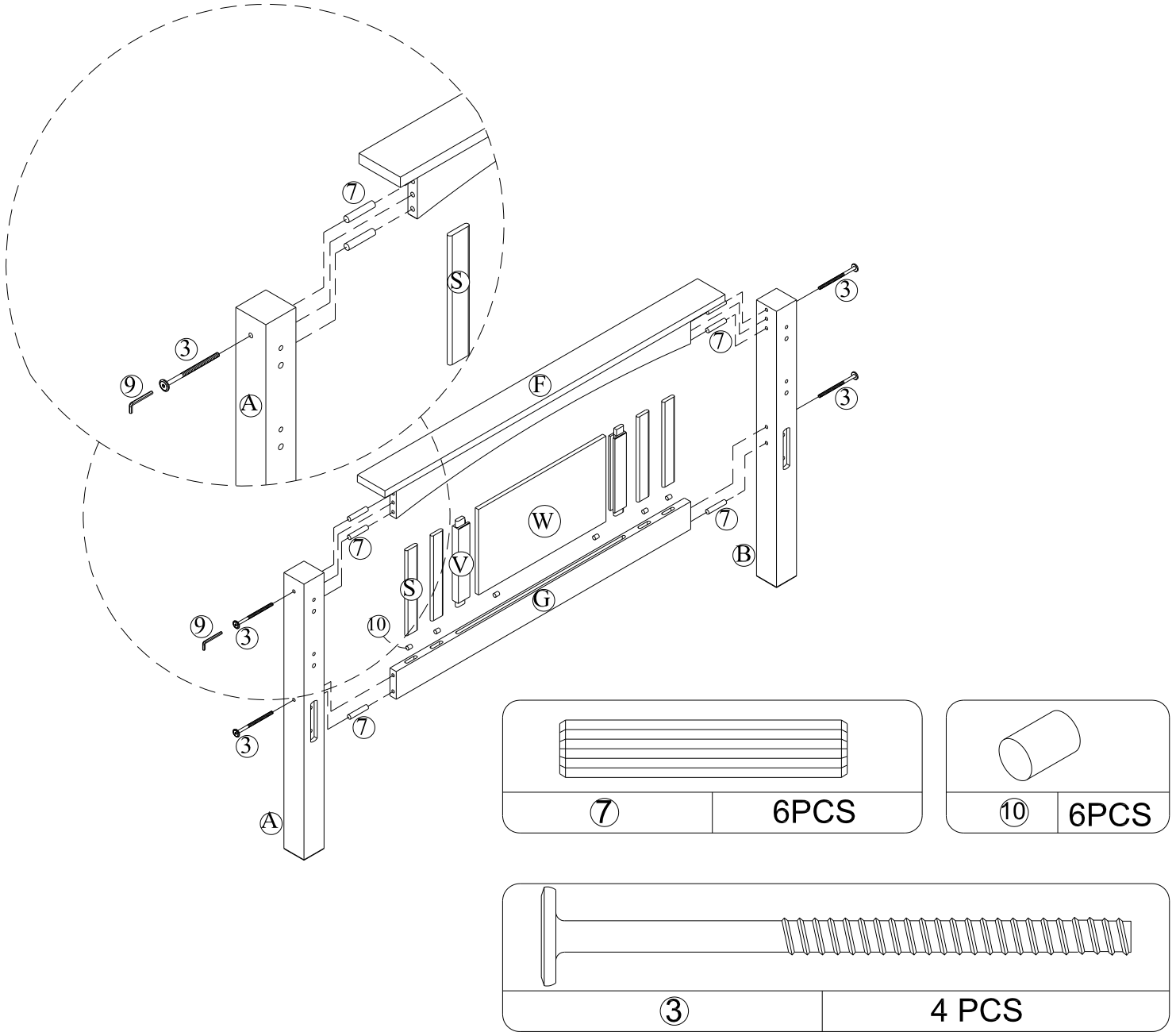
<b>G</b>		<b>H</b>		<b>I</b>	
HEADBOARD BOTTOM CROSS 4 PCS		TOP SIDE RAIL (WITH 3 HOLES) 1 PC		BOTTOM SIDE RAIL (WITH 2 HOLES) 1 PC	
<b>J</b>		<b>K</b>		<b>L</b>	
TOP SIDE RAIL (WITH 1 HOLE) 1 PC		BOTTOM SIDE RAIL (WITH NO HOLE) 1 PC		SLAT 12 PCS	
<b>M</b>		<b>N</b>		<b>O</b>	
LONG GUARDRAIL 2 PCS		SHORT GUARDRAIL 2 PCS		LONG LADDER END 1 PC	
<b>P</b>		<b>Q</b>		<b>R</b>	
SHORT LADDER END 1 PC		LADDER STEP 4 PCS		GUARDRAIL LEG 2 PCS	

# TWIN BUNK BED DL7519E / DL7519W

## PARTS LIST

<p style="text-align: center;"><b>S</b></p> 	<p style="text-align: center;"><b>T</b></p> 	<p style="text-align: center;"><b>U</b></p> 
<p style="text-align: center;">TOP HEADBOARD SLAT 8 PCS</p>	<p style="text-align: center;">SLAT 4 PCS</p>	<p style="text-align: center;">BOTTOM HEADBOARD SLAT 8 PCS</p>
<p style="text-align: center;"><b>V</b></p> 	<p style="text-align: center;"><b>W</b></p> 	<p style="text-align: center;"><b>X</b></p> 
<p style="text-align: center;">TOP HEADBOARD SLAT 4 PCS</p>	<p style="text-align: center;">TOP HEADBOARD PANEL 2 PCS</p>	<p style="text-align: center;">BOTTOM HEADBOARD SLAT 4 PCS</p>
<p style="text-align: center;"><b>Y</b></p> 	<p style="text-align: center;"><b>Z</b></p> 	
<p style="text-align: center;">BOTTOM HEADBOARD PANEL 2 PCS</p>	<p style="text-align: center;">BOTTOM HEADBOARD TOP CROSS- 2 PCS</p>	

# TWIN BUNK BED DL7519E / DL7519W



## STEP 1

One of the headboard top crosses (F) has a label on it. Do not use it in this step.

Insert stoppers (10) into headboard bottom cross (G) as shown above.

Insert top headboard slats (S & V) and top headboard panel (W) to top headboard bottom cross (G) and push down until firmly in place.

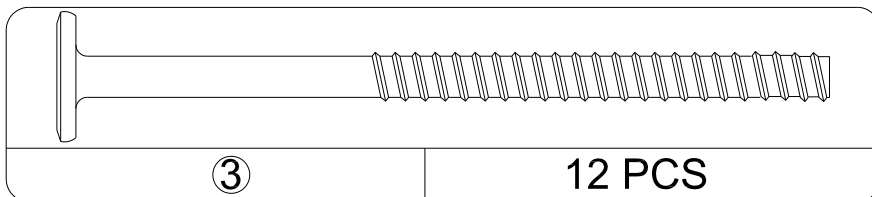
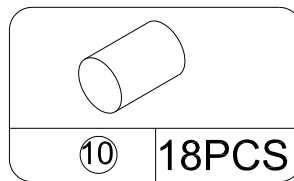
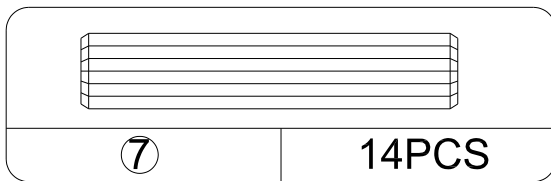
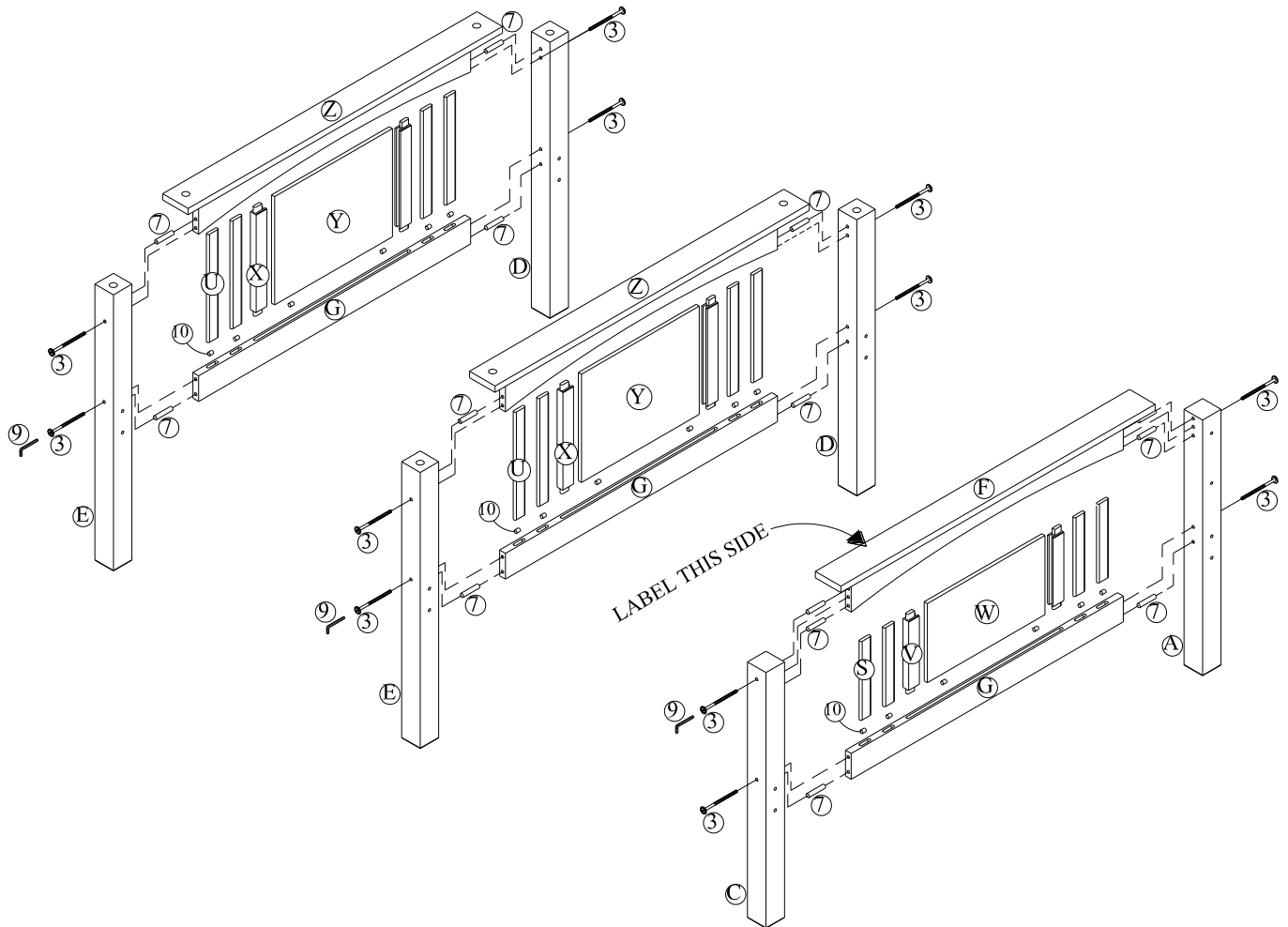
Attach the headboard top cross (F) on the top headboard slats (S & V) and headboard panel (W).

Insert wood dowels (7) into each end of headboard top cross (F) and bottom cross (G). Attach top posts (A) & (B) with wood joint connectors (3) and Allen key (9) as shown.

**NOTES:** Headboard top cross (F) and headboard bottom cross (G) may require that they be pulled closer together or further apart in order to allow wood dowels (7) to align with holes in top posts (A & B).



# TWIN BUNK BED DL7519E / DL7519W

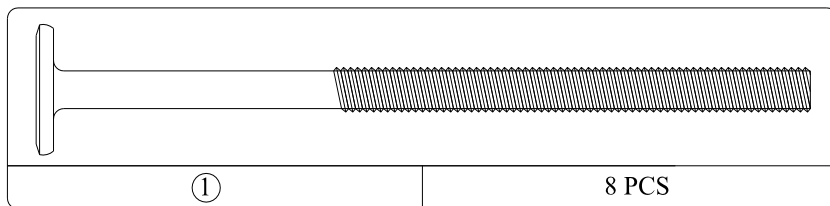
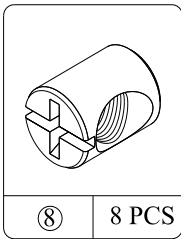
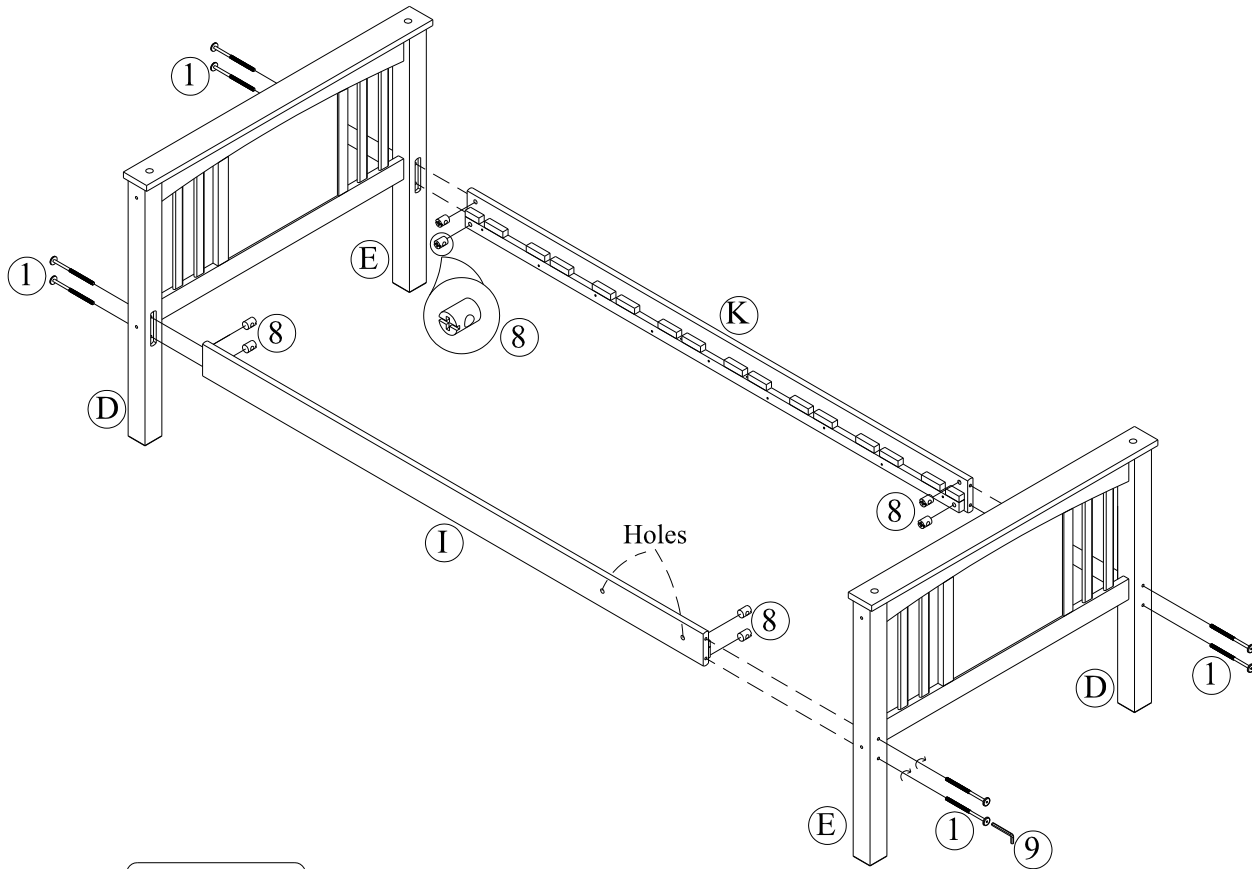


## STEP 2

Repeat the previous step to assemble the remaining three sets of headboards. Be sure to pair the bottom posts (D) and (E) for one pair; (E) and (D) for another; and the top posts (C) and (A) for the last pair.

NOTE: Be sure to use headboard top cross (F) with label attached to it between top posts (A) and (C). See illustration for label orientation.

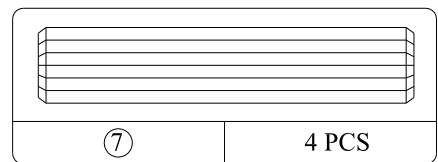
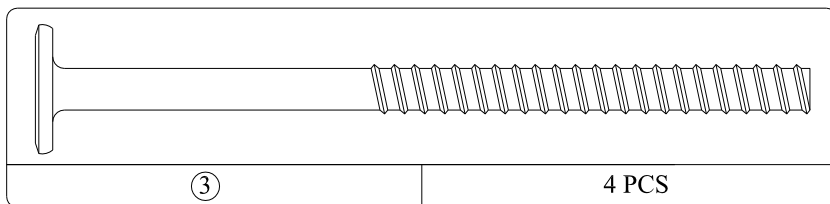
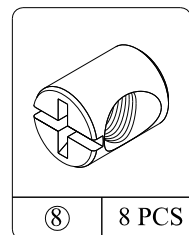
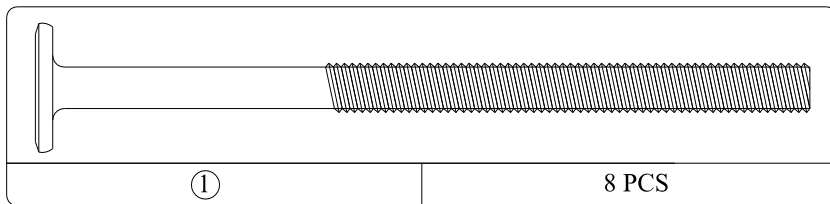
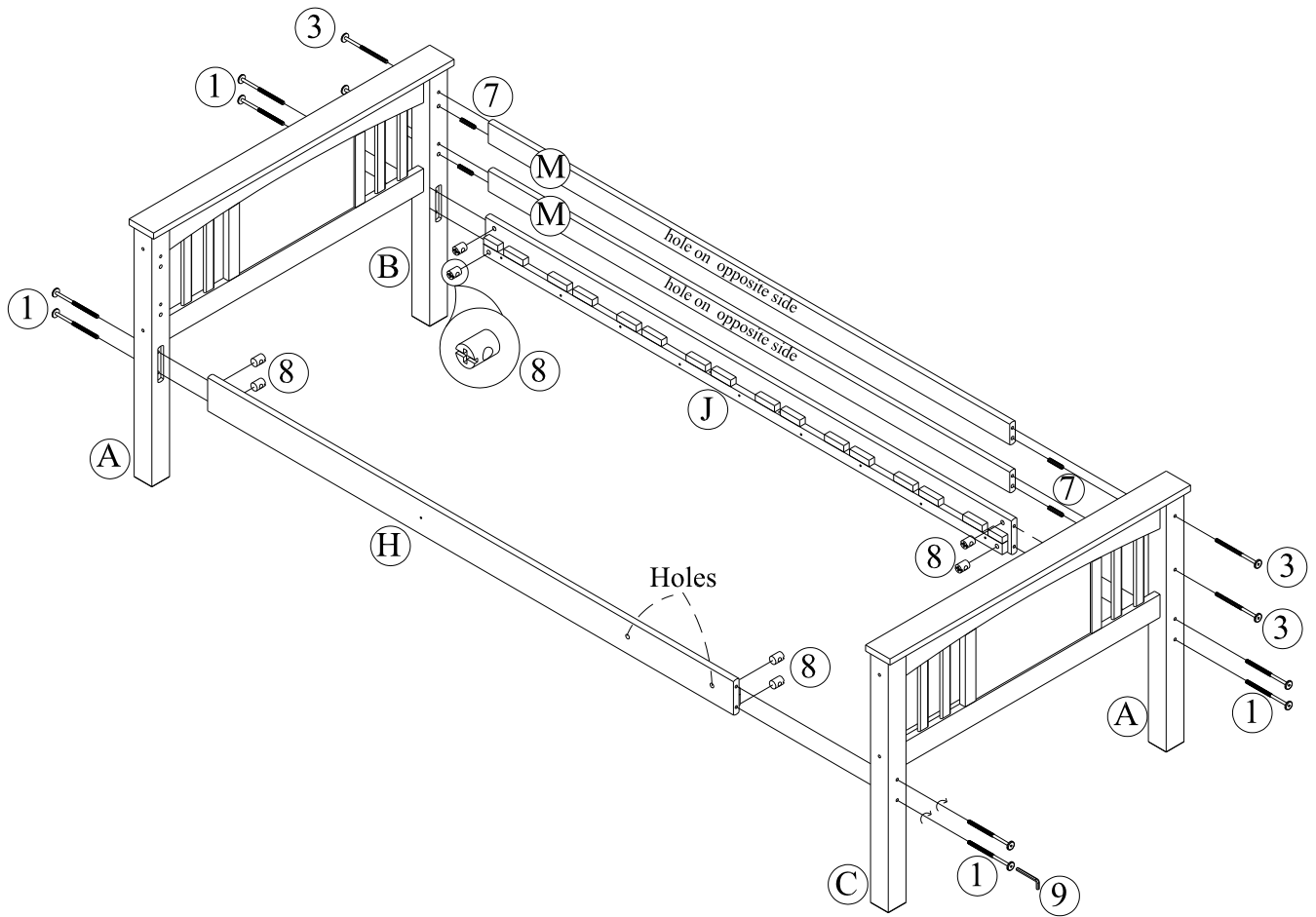
# TWIN BUNK BED DL7519E / DL7519W



## STEP 3

Attach the two headboards with bottom posts (D and E) to bottom side rails (I and K) using joint connectors (1) and barrel nuts (8) as shown. Use Allen key (9) to tighten to joint connectors.  
Note: This is the lower bunk.

# TWIN BUNK BED DL7519E / DL7519W



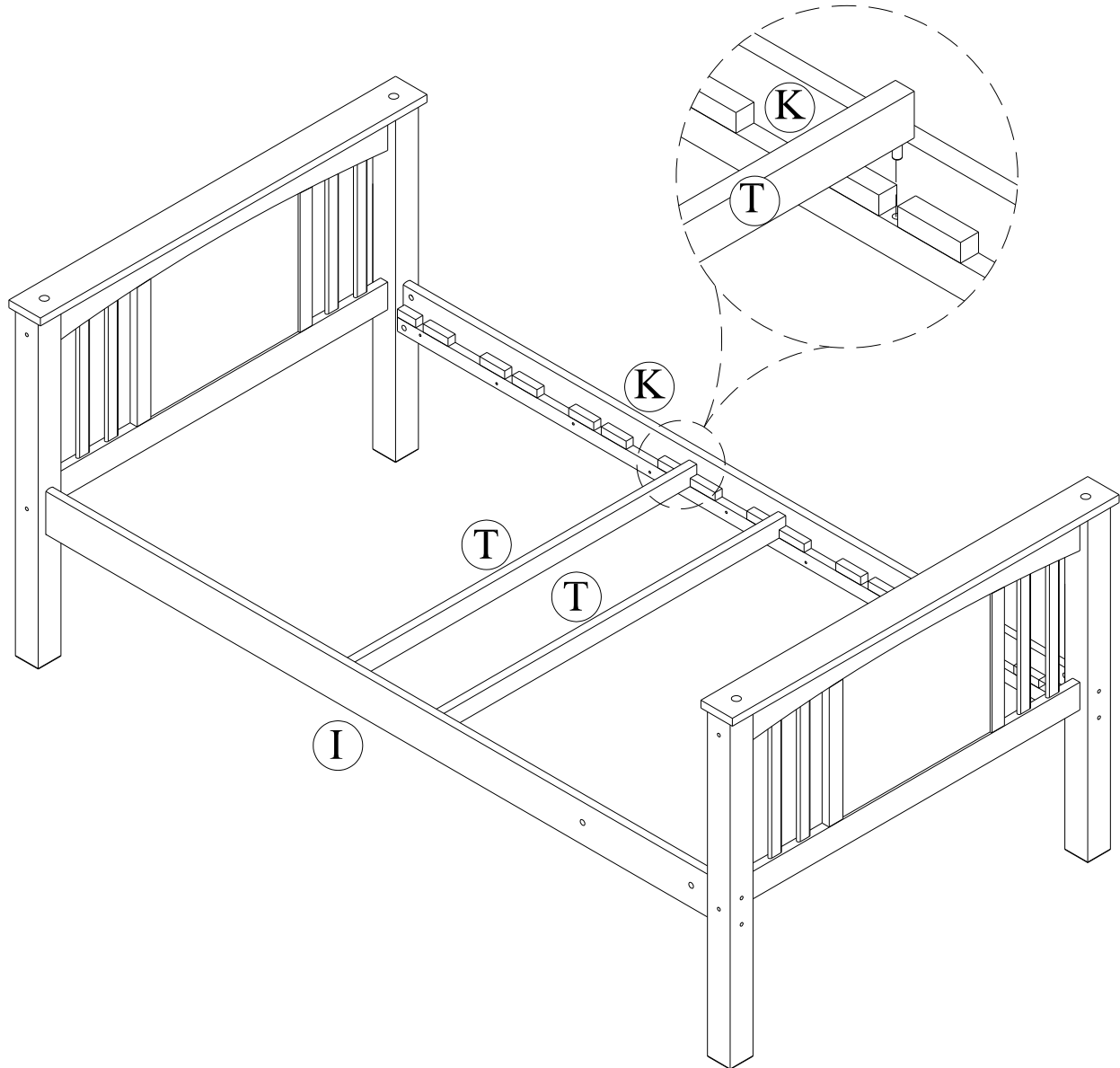
## STEP 4

Insert wood dowels (7) into each end of the long guardrails (M).

Attach two long guardrails (M) and two top side rails (H and J) to top posts (A and B) & (A and C) as shown.

Fasten top side rails (H and J) with joint connectors (1) and barrel nuts (8). Fasten long guardrails (M) with wood joint connectors (3). Use Hex key (9) to tighten all joint connectors. This is the upper bunk.

# TWIN BUNK BED DL7519E / DL7519W



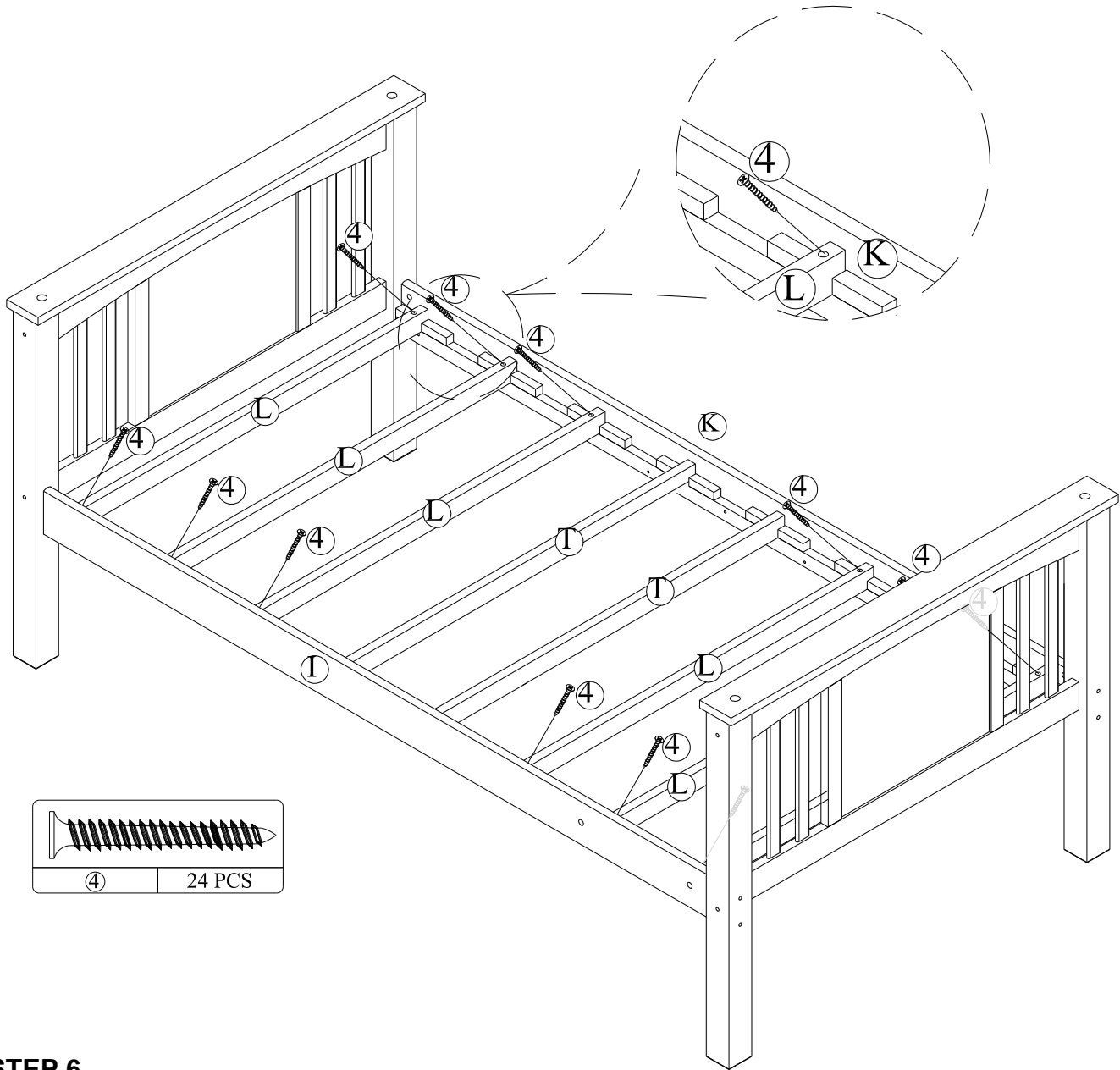
## STEP 5

Insert two slats (T) onto the center slots of the bottom side rails (I and K) of the bottom bunk as shown.

NOTE: Once inserted, there should be three empty spaces left on each side.

# TWIN BUNK BED

## DL7519E / DL7519W



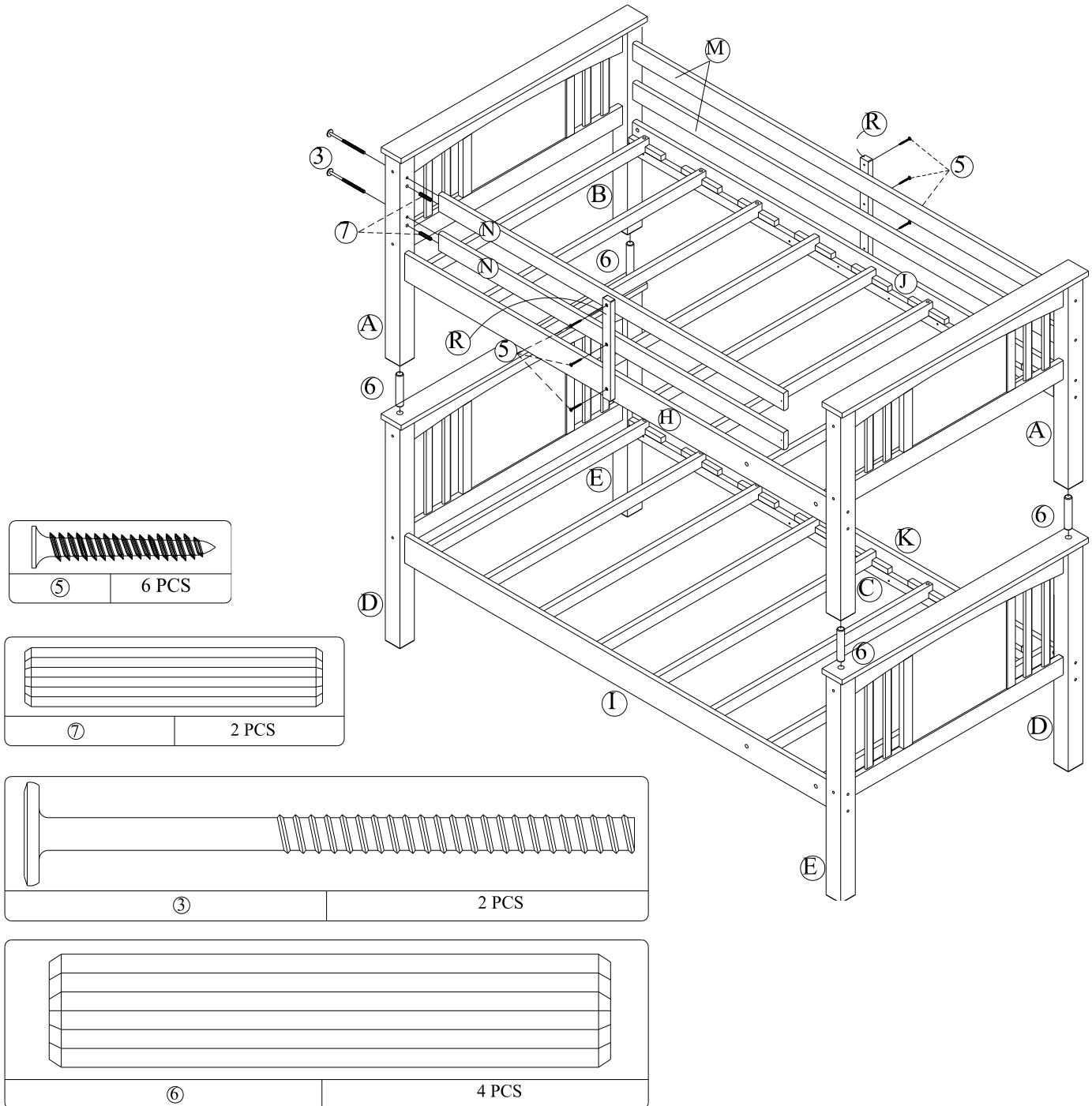
### STEP 6

Insert slats (L) into the remaining holes on the bottom side rails (I and K) on the lower bunk. Secure slats (L) to the bottom side rails (I and K) with flat head wood screws (4), using a phillips head screw driver (not included). Repeat step 5 and 6 to attach slats (T and L) to the upper bunk.

**NOTE:** Slats (T and L) will be placed between two wooden blocks.

**NOTE:** If you notice that any slats (L) are not perfectly flat, be sure to assemble them so that slat (L) curves up in the middle and down at the ends.

# TWIN BUNK BED DL7519E / DL7519W



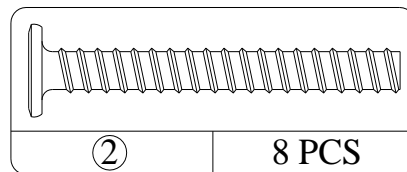
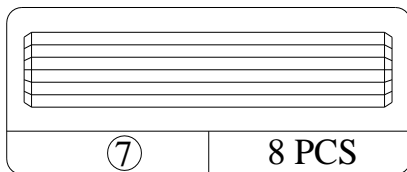
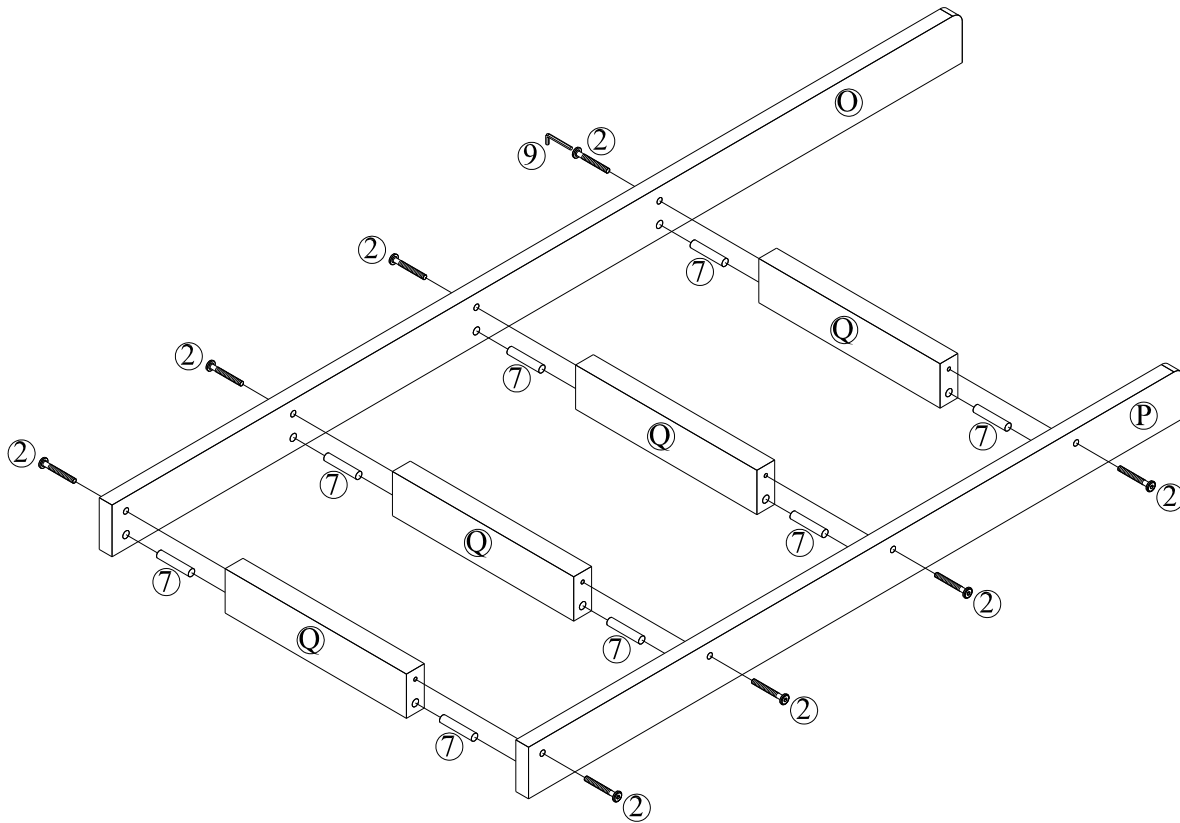
## STEP 7

Insert wood dowels (7) into the holes in the ends of short guardrails (N). Attach short guardrails (N) to top post (A) with wood joint connectors (3).

Attach the guardrail leg (R) to the short guardrails (N) and top side rail (H) with flat head wood screws (5). Attach another guardrail leg (R) (on the other side of the bed) to long guard rails (M) and top side rail (J) with flat head wood screws (5).

Place four wood dowels (6) into the holes in the bottom posts (D and E). Stack the top bunk onto the bottom bunk with the help of another person.

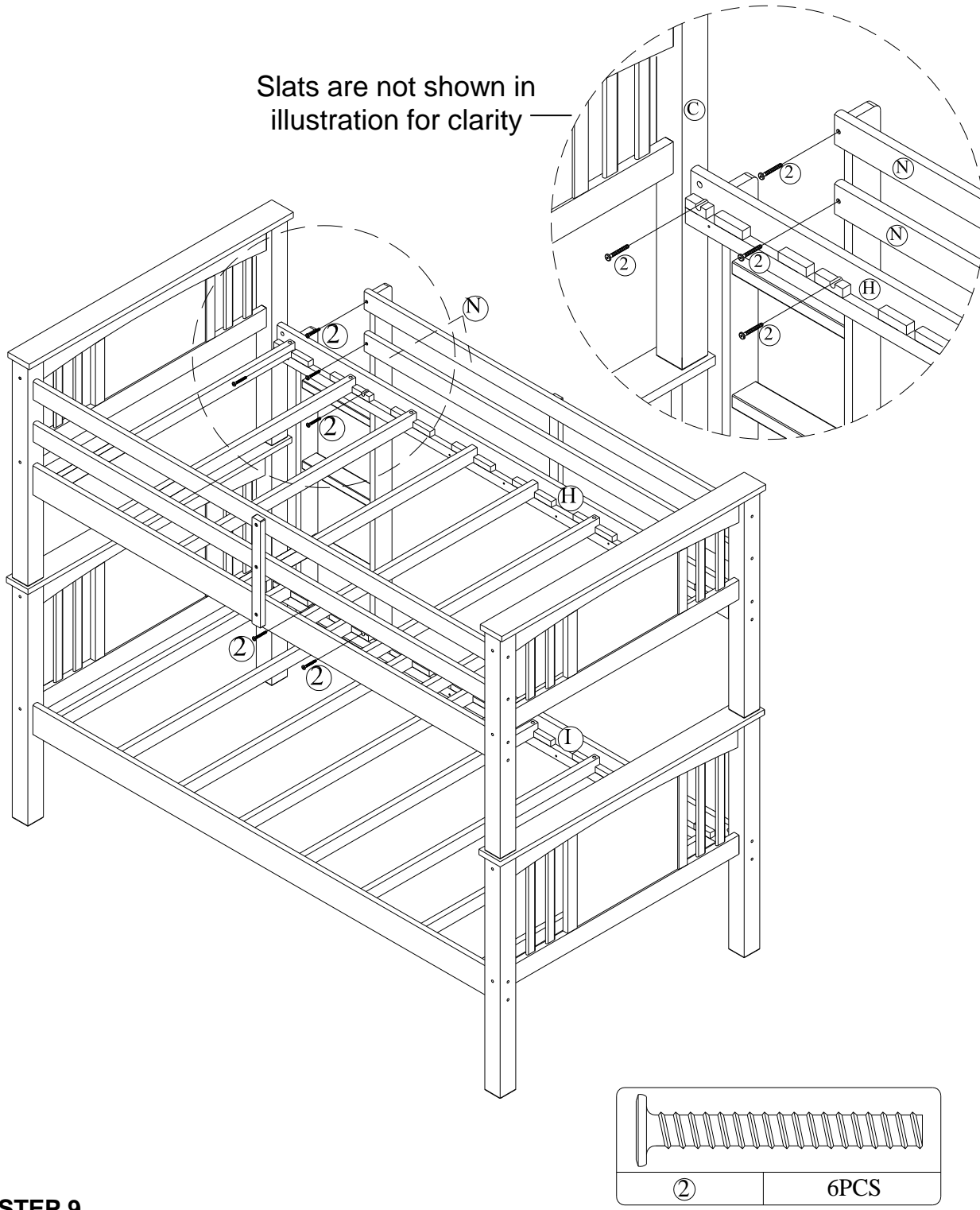
# TWIN BUNK BED DL7519E / DL7519W



## STEP 8

To assemble the ladder, insert wood dowels (7) into the end of the ladder steps (Q). Attach long ladder end (O) and short ladder end (P) to ladder steps (Q) with wood joint connectors (2), using Allen key (9).

# TWIN BUNK BED DL7519E / DL7519W



## STEP 9

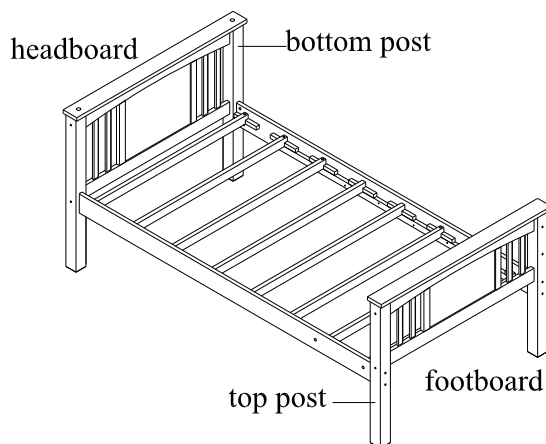
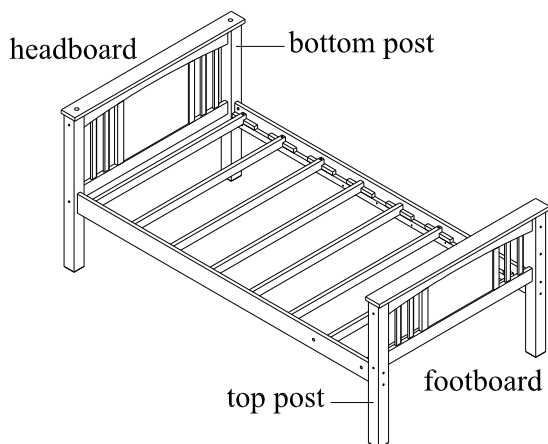
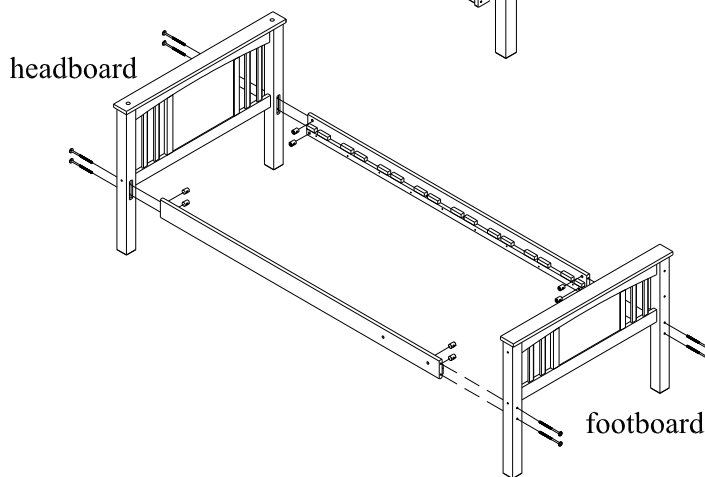
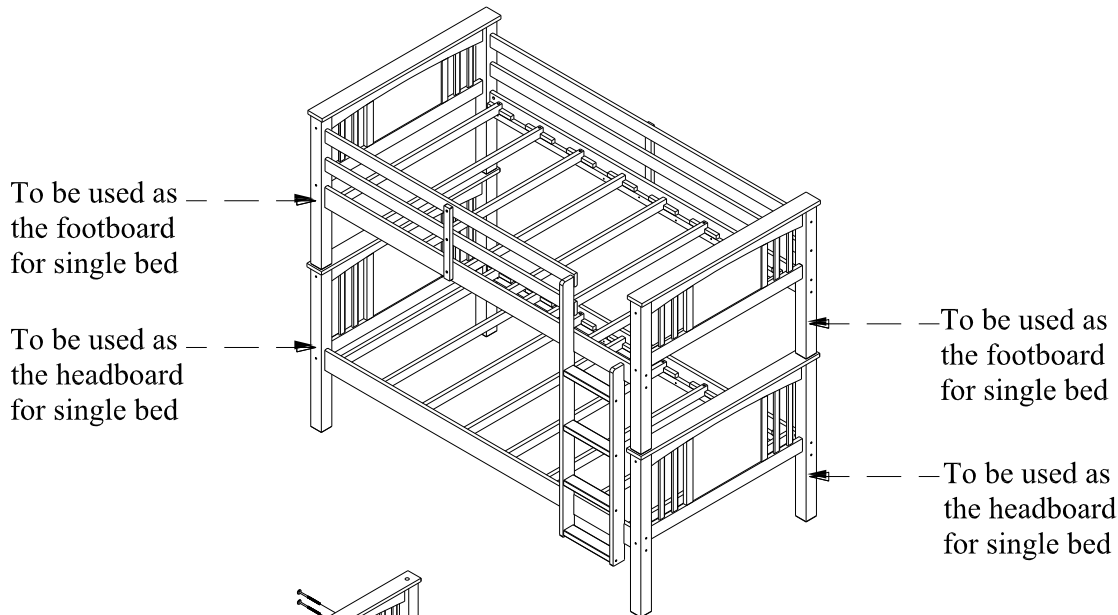
Attach the ladder to the short guardrails (N), the top side rail (H) and bottom side rail (I) with wood joint connectors (2) as shown.

**NOTE:** If a slat (L) is covering the ladder mounting holes, remove the slat (L) and reattach it after the ladder is installed.



# Instructions for Converting the bunk bed into two single beds

## DL7519E / DL7519W



Remove the ladder and all the guardrails.

With the help of another person, remove the top bunk from the lower bunk.

Disassemble the side rails from all headboards (top and lower bunks).

Re-assemble the headboards (with tall posts) and footboards (with short posts) to side rails.

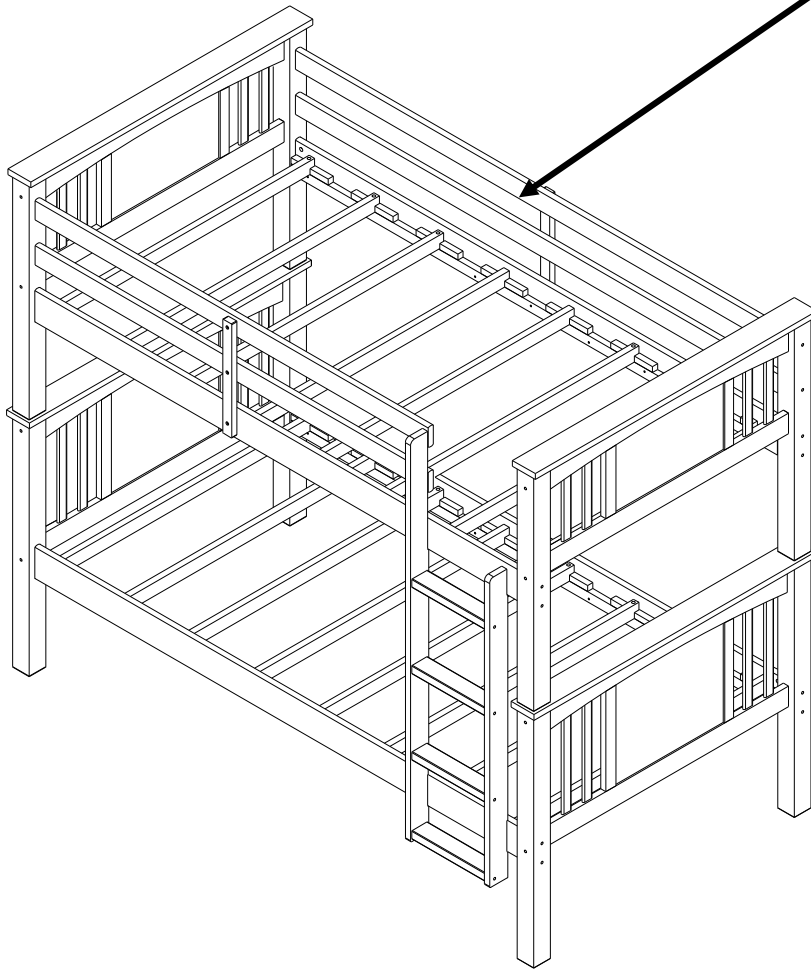
Note: Switching the headboards will allow the two single beds to be identical (the headboards will have taller posts and the footboards will have the shorter posts).

# TWIN BUNK BED DL7519E / DL7519W

**!** **CAUTION:** This unit is intended for use only with the products and/or maximum weights indicated. Use with other products and/or products heavier than the maximum weights indicated may result in instability or cause possible injury.

DO NOT ALLOW HORSEPLAY ON OR UNDER THE BED AND PROHIBIT JUMPING ON THE BED.

DO NOT ALLOW CHILDREN UNDER 6 YEARS OF AGE TO USE THE UPPER BUNK. BED IS DESIGNED FOR CHILDREN RANGING FROM 6 YEARS OF AGE TO YOUNG TEENAGERS.



MAXIMUM WEIGHT CAPACITY: 165 LBS (75 KGS) PER LEVEL.

USE ONLY COIL SPRING MATTRESSES ON BOTH THE UPPER AND LOWER BUNKS. FAILURE TO DO SO CAN RESULT IN INJURY.

USE ONLY MATTRESSES WHICH ARE 74"-75" LONG AND 37 1/2" - 38 1/2" WIDE ON UPPER AND ON LOWER BUNKS. ENSURE THICKNESS OF MATTRESS DOES NOT EXCEED 6".

**DO NOT RETURN PRODUCT TO THE STORE.**

If a part is missing or damaged, contact our customer service department. We will replace the part **FREE** of charge.



Tel #: 1-800-295-1980  
E-Mail: [das@dorel.com](mailto:das@dorel.com)  
Fax #: 514-353-7819

# Customer Service

**PLEASE DO NOT RETURN THIS PRODUCT TO THE STORE**

**PLEASE CONTACT CUSTOMER SERVICE REPRESENTATIVES AT THE FOLLOWING NUMBERS SHOULD THERE BE ANY MISSING OR DEFECTIVE PART(S).**

Customer Service Phone Number 1-800-295-1980

Email: [das@dorel.com](mailto:das@dorel.com)

Customer Service Fax Number 514-353-7819

Request Date:

Name:

Shipping Address:

Street & Number:

City & State:

Zip Code:

Day Time Phone Number:

(including area code)

Date & Place of Purchase:

Part(s) description and quantity: (Please be sure to list model number or SKN number)

Customer Service Representative Mailing Address:

Customer Service Department No. 413, 12345 Albert-Hudon Boulevard, Suite 100, Montreal, QC, Canada, H1G 3L1