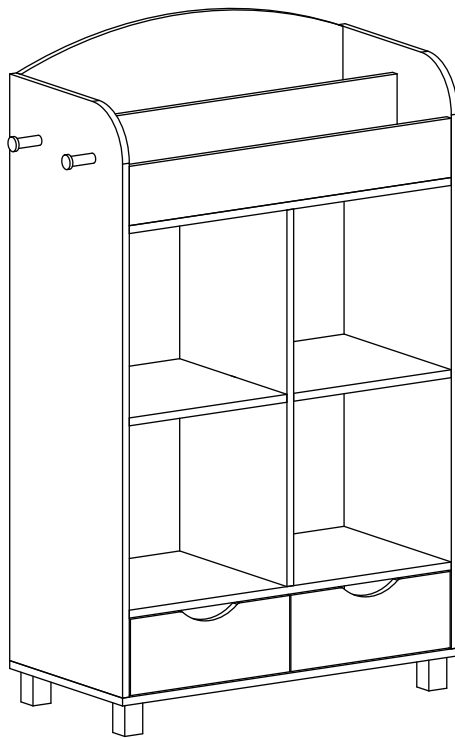




ASSEMBLY INSTRUCTIONS



RiverRidge® Book Nook Kids Cubby Storage Cabinet with Bookrack

ITEM #: 02-162 White

ADULT ASSEMBLY REQUIRED

This product requires assembly by an adult because of small parts. Care should be taken in unpacking and assembling this item to keep small parts away from children. During assembly children should be kept away from the product due to possible risk of injury.

WARNING SEE FULL WARNING ON PAGE 2

Young children can be seriously injured or killed if furniture tips over.
Don't use this item for a TV stand or place heavy objects on top of item.
Always use angle-braces or anchors to secure furniture to the wall.

This product is suitable for children 3 years and older.

THIS SHELF UNIT WILL HOLD UP TO 20 POUNDS PER CUBBY, 10 POUNDS PER DRAWER AND 20 POUNDS IN BOOKRACK OR A TOTAL OF 120 POUNDS. DO NOT LOAD EACH CUBBY WITH MORE THAN 20 POUNDS, EACH DRAWER WITH MORE THAN 10 POUNDS OR THE BOOKRACK WITH MORE THAN 20 POUNDS. IF OVERLOADED WITH MORE THAN 20 POUNDS PER CUBBY, 10 POUNDS PER DRAWER OR 20 POUNDS IN BOOKRACK, THIS MAY CAUSE DAMAGE TO THE CABINET AND MAY CAUSE SERIOUS INJURY OR DEATH.

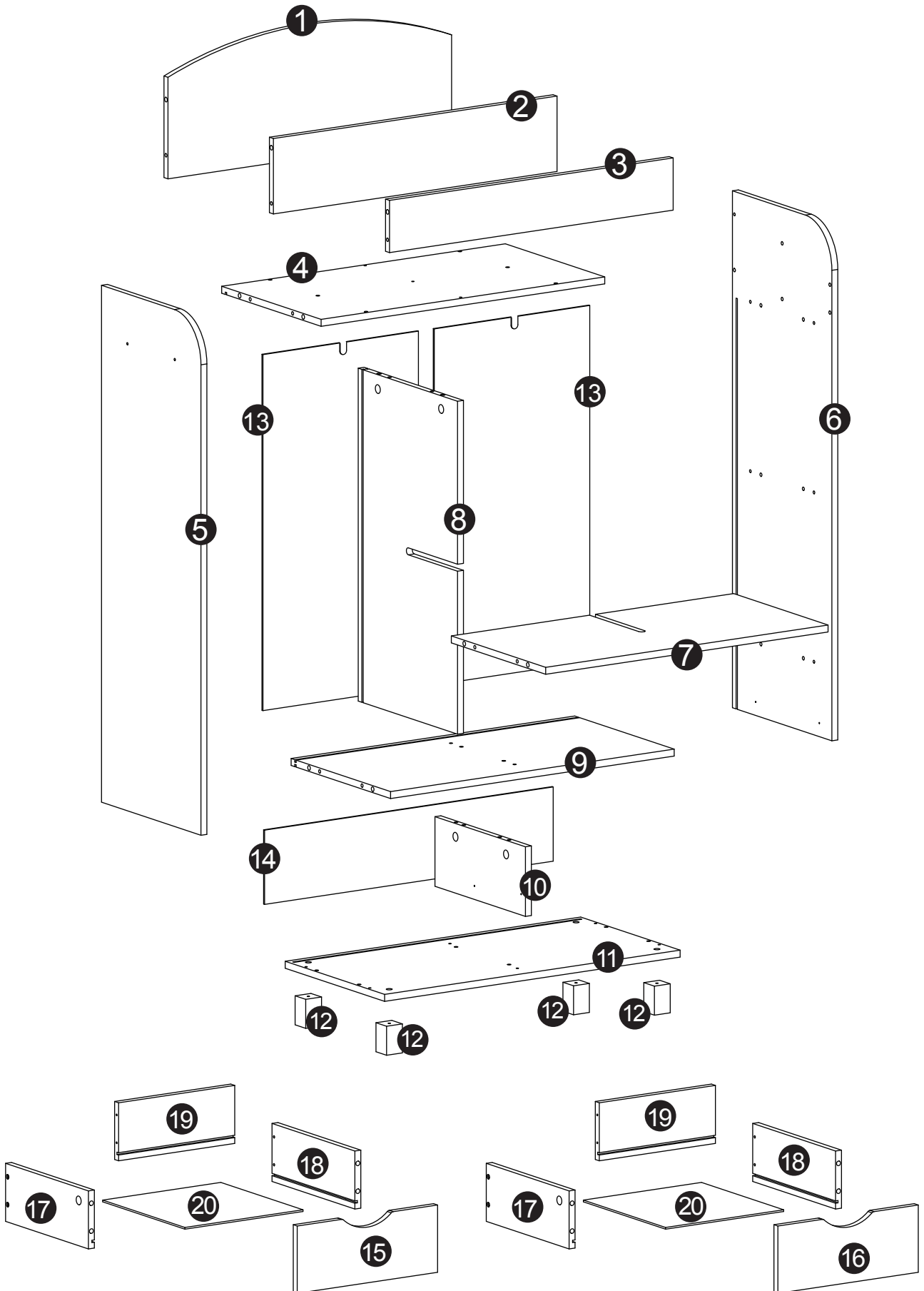


WARNING

SERIOUS OR FATAL INJURIES CAN OCCUR FROM FURNITURE TIP-OVER. TO HELP PREVENT TIP-OVER:

- **Always use tip over restraints and/or wall anchors to secure furniture to the wall**
- **Place heaviest items in the lowest drawers/bins or shelves**
- **Do not set TV's or other heavy objects on the top of this product**
- **Never allow children to climb or hang on to the drawers/bins, doors or shelves of furniture**
- **Never open more than one drawer at a time or defeat or remove any drawer interlock system**





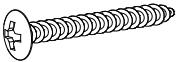
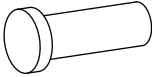
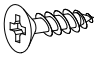
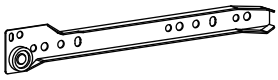

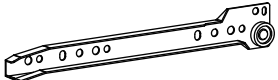

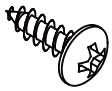
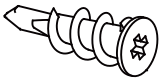
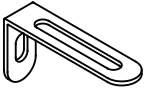
PARTS LIST



PARTS LIST

NO	QTY	DESCRIPTION
1	1PC	Top Rear Vertical Board
2	1PC	Top Middle Vertical Board
3	1PC	Top Front Vertical Board
4	1PC	Top Board
5	1PC	Left Side Panel
6	1PC	Right Side Panel
7	1PC	Middle Shelf
8	1PC	Middle Support Panel
9	1PC	Lower Shelf
10	1PC	Divider Board
11	1PC	Bottom Board
12	4PCS	Wood Leg
13	2PCS	Upper Back Board
14	1PC	Lower Back Board
15	1PC	Left Drawer Front Board
16	1PC	Right Drawer Front Board
17	2PCS	Drawer Left Side Board
18	2PCS	Drawer Right Side Board
19	2PCS	Drawer Back Board
20	2PCS	Drawer Bottom Board

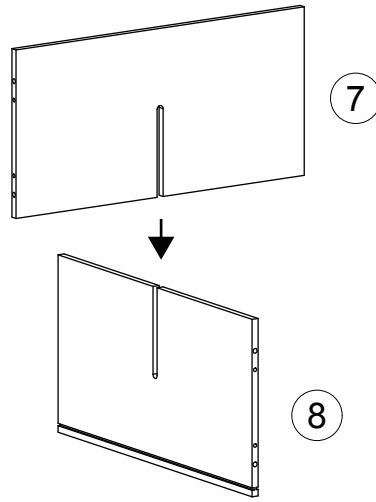
PARTS LIST

NO	PARTS	QTY	DESCRIPTION
A		26PCS	Cam Bolt
B		26PCS	Cam Lock
C		40PCS	Wood Dowel
D		2PCS	Screw (4x30mm)
E		25PCS	Screw (4x35mm)
F		2PCS	Wood Peg
G		16PCS	Screw (3x12mm)
H		2PCS	Drawer Slides (attach to left side panel)
I		2PCS	Drawer Slides (attach to drawer left side board)
J		2PCS	Drawer Slides (attach to right side panel)
K		2PCS	Drawer Slides (attach to drawer right side board)
L		2PCS	Screw (4x10mm)
M		2PCS	Plastic Anchor
N		2PCS	Adjustable Anchor Bracket

**TOOLS NEEDED FOR ASSEMBLY: FLAT & PHILLIPS SCREWDRIVER (NOT INCLUDED)
THE USE OF A POWER SCREWDRIVER IS NOT RECOMMENDED FOR ASSEMBLY
DO NOT USE ITEM IF ANY PARTS ARE MISSING OR DAMAGED**

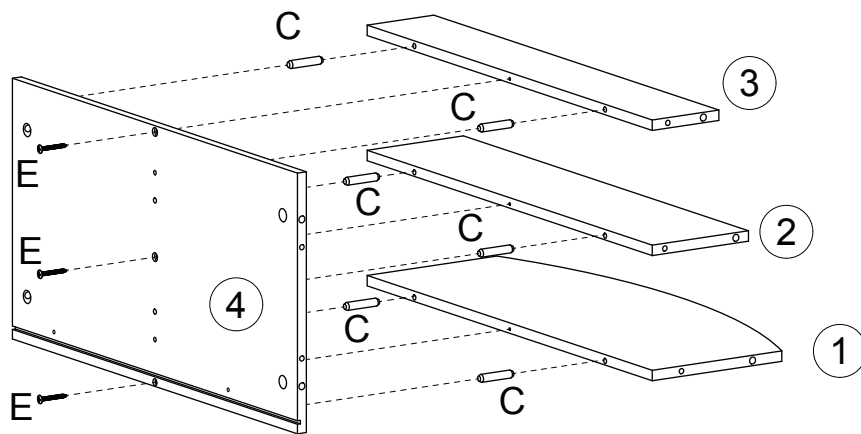
To order replacement parts at no cost to you, email customer.service@ssi-rr.com, call 1-(844)-223-5201 or order parts online at www.riverridgehome.com. Only valid in the United States. If purchased outside of the United States, please contact retailer where purchased.

STEP 1



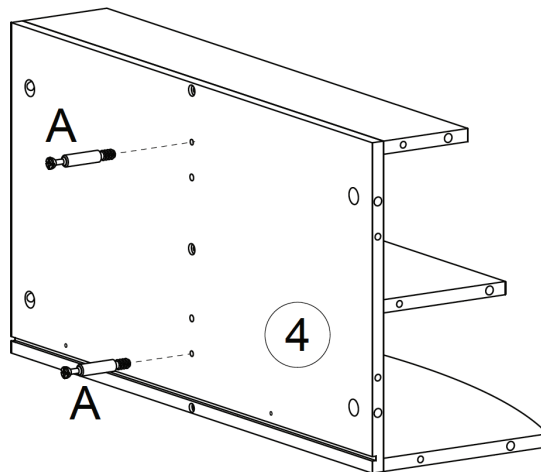
1. Slide middle shelf (7) onto middle support panel (8).

STEP 2



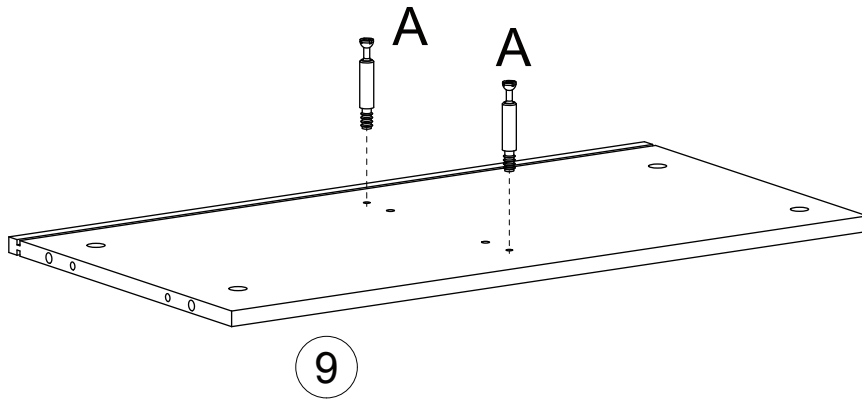
1. Insert 6 wood dowels (C) into wood dowel holes on top rear vertical board (1), top middle vertical board (2) and top front vertical board (3).
2. Attach top rear vertical board (1), top middle vertical board (2) and top front vertical board (3) to top board (4) by inserting wood dowels (C) into wood dowel holes on top board (4).
3. Insert 3 screws (E) through holes on top board (4), then tighten to top rear vertical board (1), top middle vertical board (2) and top front vertical board (3).

STEP 3



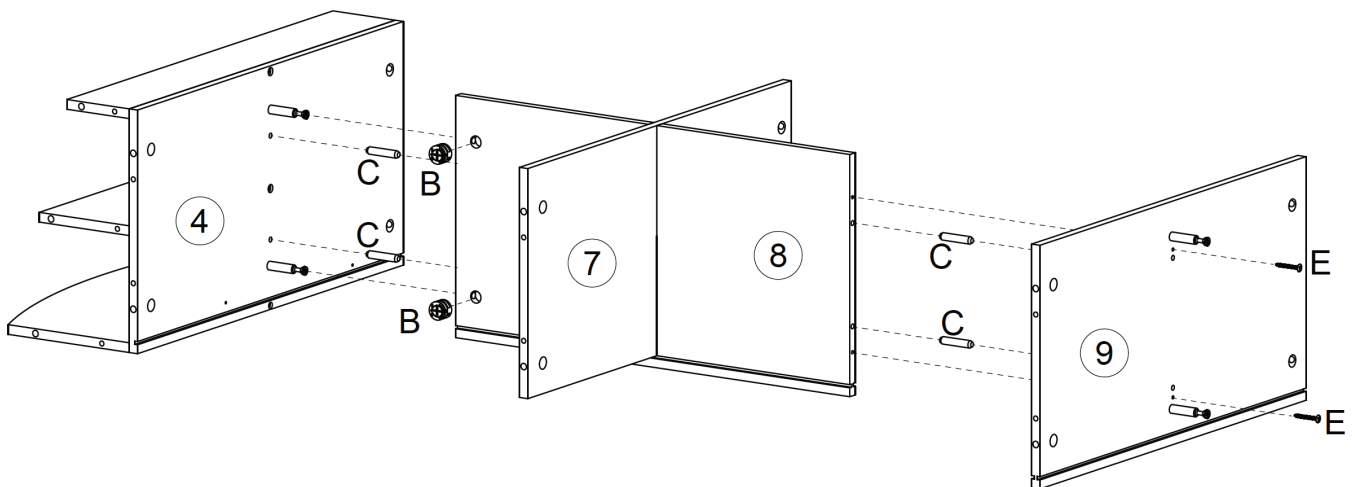
1. Screw 2 cam bolts (A) into cam bolt holes on top board (4).

STEP 4



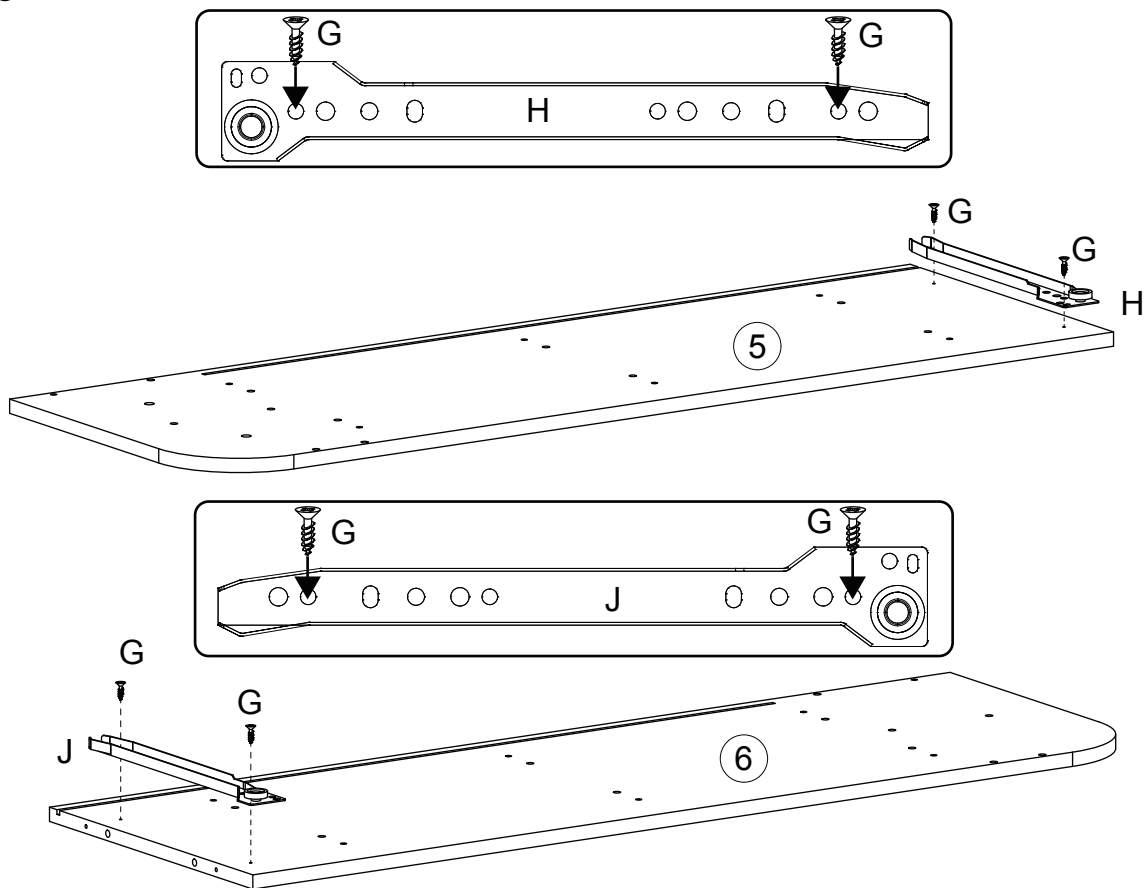
1. Screw 2 cam bolts (A) into cam bolt holes on lower shelf (9).

STEP 5



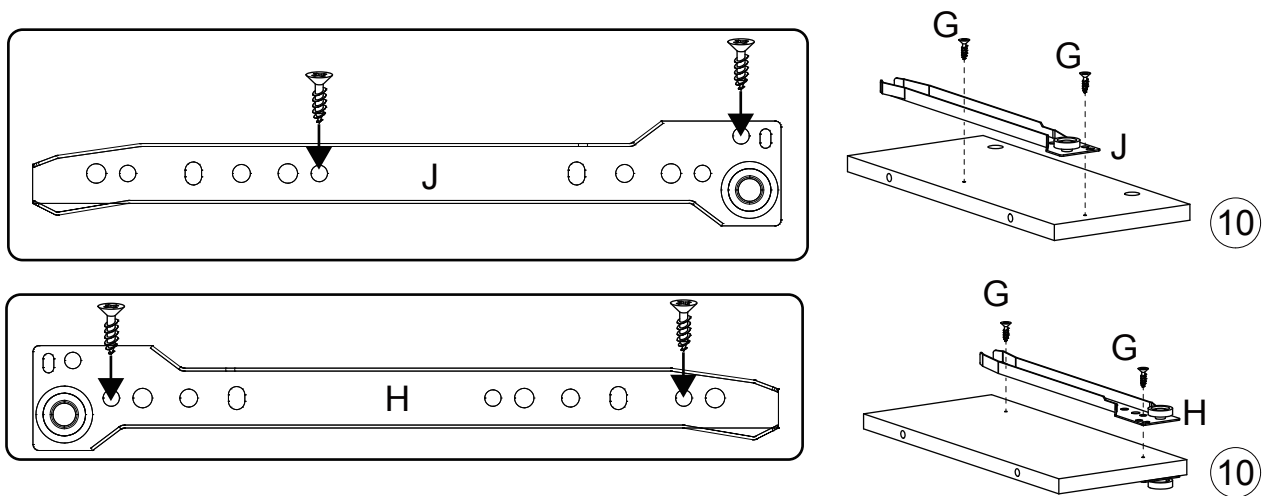
1. Insert 4 wood dowels (C) into wood dowel holes on middle support panel (8).
2. Attach lower shelf (9) to middle support panel (8) by inserting wood dowels (C) into wood dowel holes on lower shelf (9).
3. Insert 2 screws (E) through holes on lower shelf (9), then tighten to middle support panel (8).
4. Attach middle support panel (8) to top board (4) by inserting wood dowels (C) into wood dowel holes on top board (4) and inserting cam bolts (A) into cam lock holes on middle support panel (8).
5. Insert 2 cam locks (B) into cam lock holes on middle support panel (8), then rotate clockwise to secure cam bolts (A) in place.

STEP 6



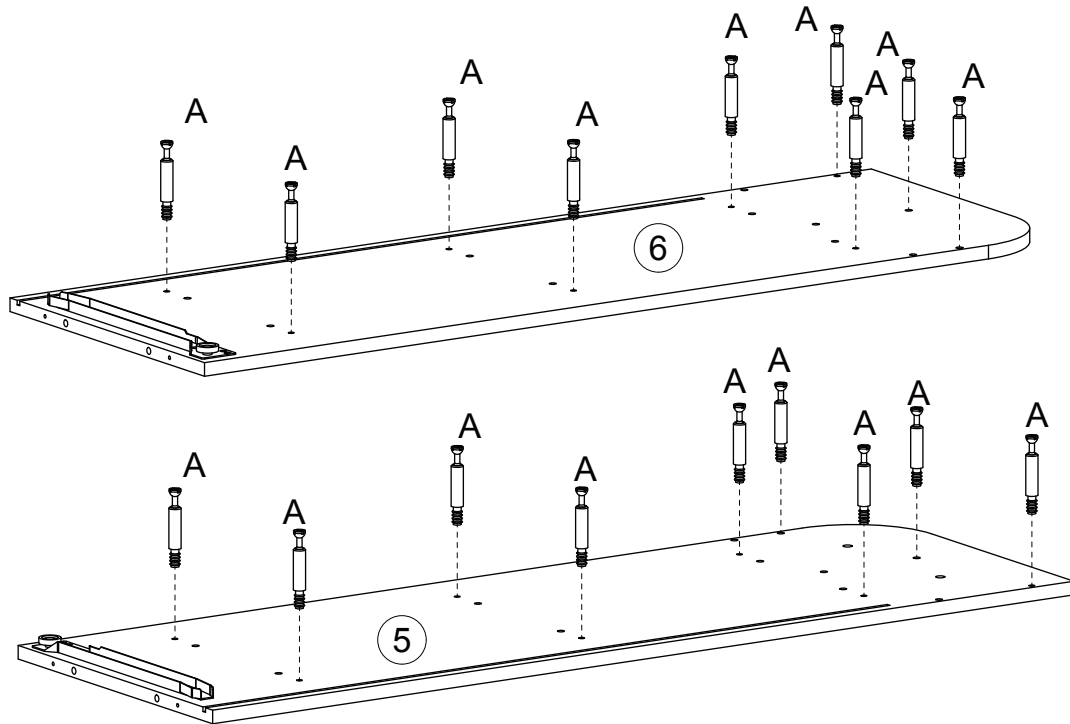
1. Attach drawer slide (H) to left side panel (5) by inserting 2 screws (G) through holes on drawer slides (H), then tighten to left side panel (5).
2. Attach drawer slide (J) to right side panel (6) by inserting 2 screws (G) through holes on drawer slides (J), then tighten to right side panel (6).

STEP 7



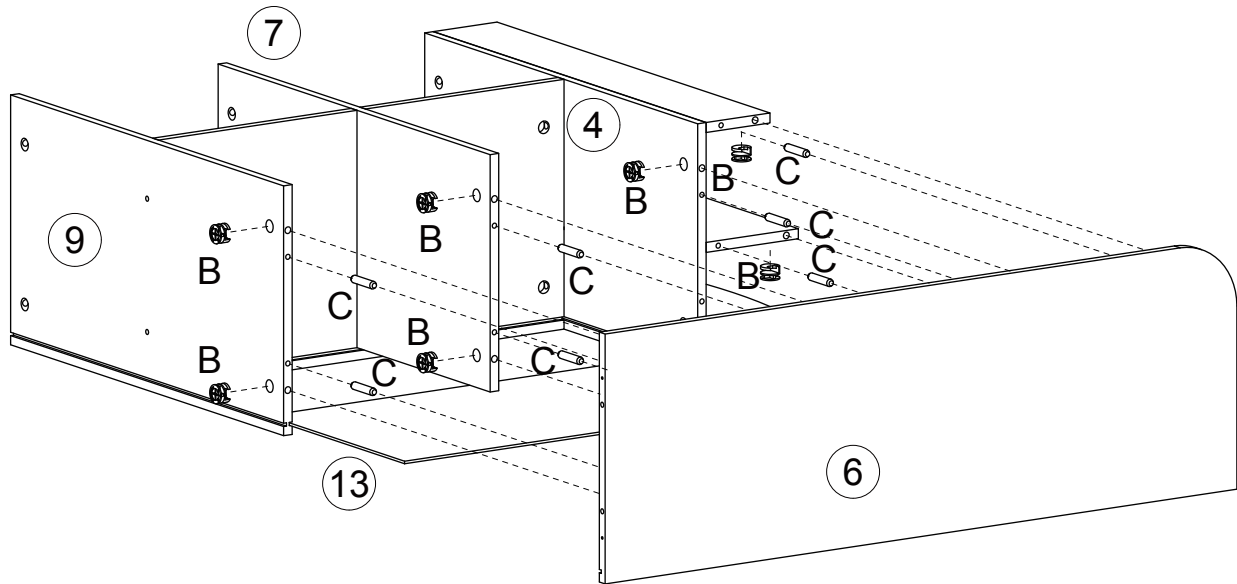
1. Attach drawer slide (J) to divider board (10) by inserting 2 screws (G) through holes on drawer slides (J), then tighten to divider board (10).
2. Attach drawer slide (H) to divider board (10) by inserting 2 screws (G) through holes on drawer slides (H), then tighten to divider board (10).

STEP 8



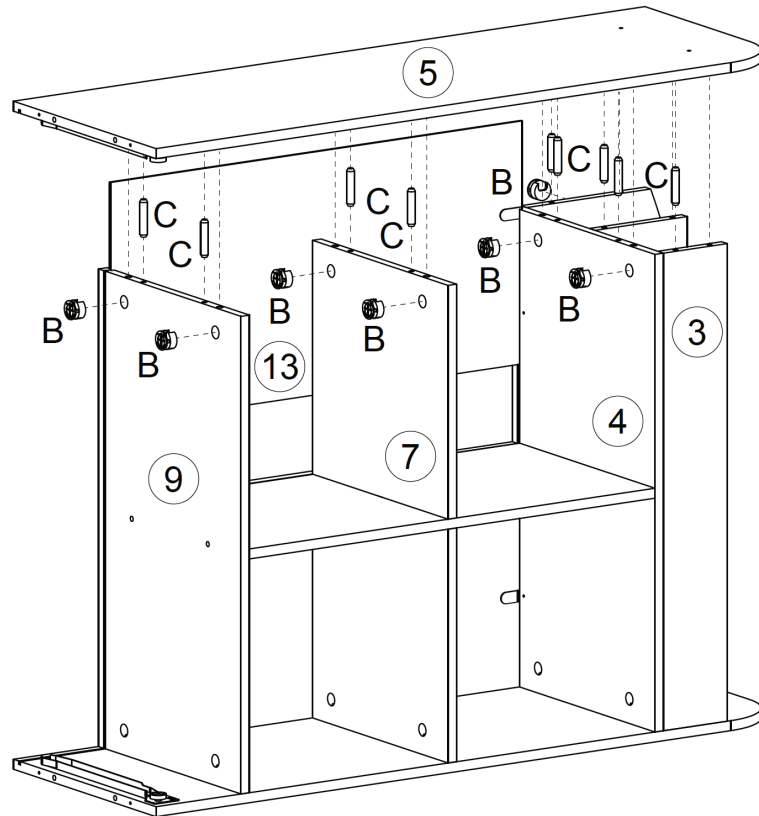
1. Screw 9 cam bolts (A) into cam bolt holes on right side panel (6).
2. Screw 9 cam bolts (A) into cam bolt holes on left side panel (5).

STEP 9



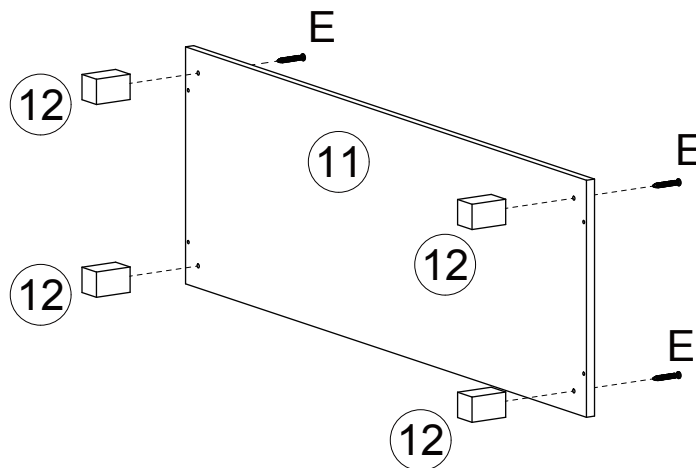
1. Insert 9 wood dowels (C) into wood dowel holes on right side panel (6).
2. Slide upper back board (13) into grooves on top board (4), lower shelf (9) and middle support panel (8).
3. Attach right side panel (6) to pre-assembled unit by inserting wood dowels (C) into wood dowel holes and inserting cam bolts (A) into cam lock holes on lower shelf (9), middle shelf (7), top board (4), top vertical front board (3), top middle vertical board (2) and top rear vertical board (1).
4. Insert 9 cam locks (B) into cam lock holes on lower shelf (9), middle shelf (7), top board (4), top vertical front board (3), top middle vertical board (2) and top rear vertical board (1), then rotate clockwise to secure cam bolts (A) in place.

STEP 10



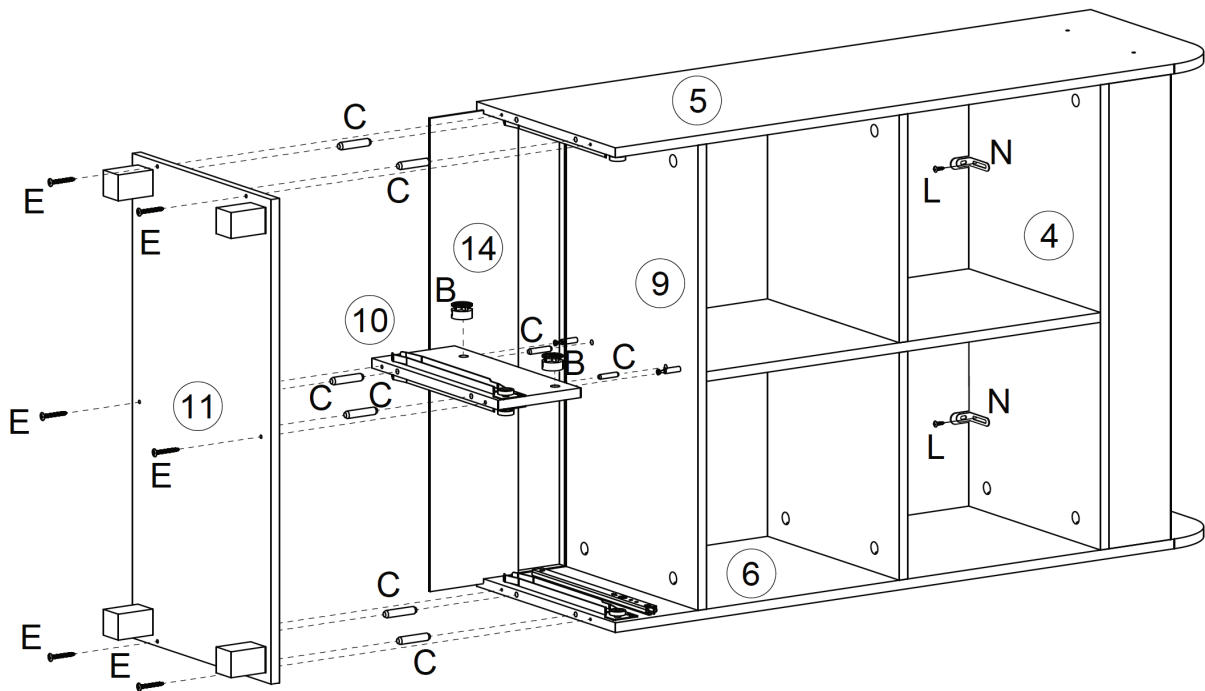
1. Insert 9 wood dowels (C) into wood dowel holes on left side panel (5).
2. Slide upper back board (13) into grooves on top board (4), lower shelf (9) and middle support panel (8).
3. Attach left side panel (5) to pre-assembled unit by inserting wood dowels (C) into wood dowel holes and inserting cam bolts (A) into cam lock holes on lower shelf (9), middle shelf (7), top board (4), top vertical front board (3), top middle vertical board (2) and top rear vertical board (1).
4. Insert 9 cam locks (B) into cam lock holes on lower shelf (9), middle shelf (7), top board (4), top vertical front board (3), top middle vertical board (2) and top rear vertical board (1), then rotate clockwise to secure cam bolts (A) in place.

STEP 11



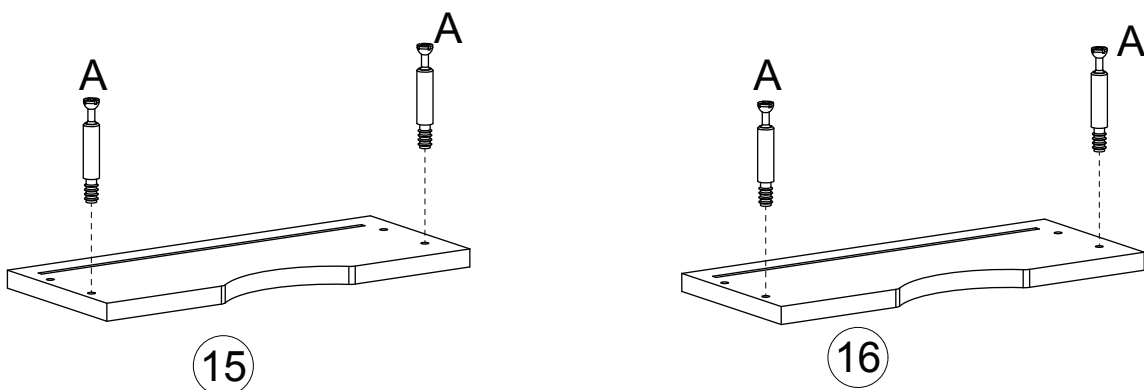
1. Attach 4 wood legs (12) to bottom board (11) by inserting 4 screws (E) through holes on bottom board (11), then tighten to wood legs (12).

STEP 12



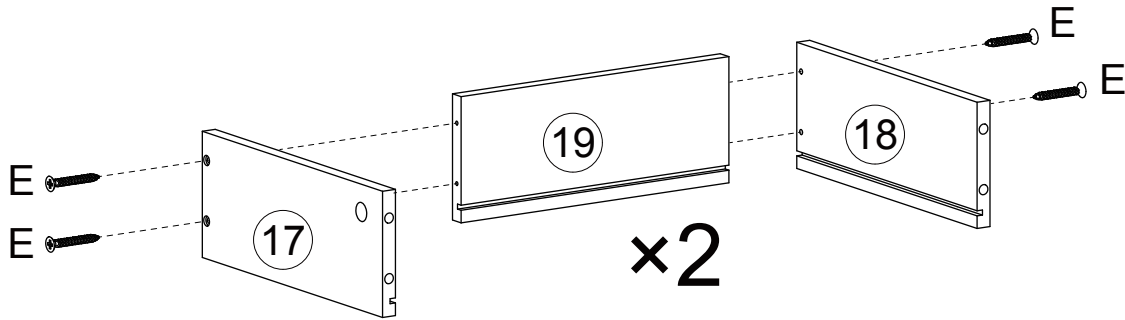
1. Insert 2 wood dowels (C) into wood dowel holes on lower shelf (9), then attach divider board (10) to lower shelf (9) by inserting wood dowels (C) into wood dowel holes and inserting cam bolts (A) into cam lock holes on divider board (10).
2. Insert 2 cam locks (B) into cam lock holes on divider board (10), then rotate clockwise to secure cam bolts (A) in place.
3. Slide lower back board (14) into grooves on left side panel (5), right side panel (6) and lower shelf (9).
4. Insert 6 wood dowels (C) into wood dowel holes on bottom board (11).
5. Attach bottom board (11) to left side panel (5), right side panel (6), divider board (10) and lower back board (14), make sure lower back board (14) slides into groove on bottom board (11).
6. Insert 6 screws (E) through holes on bottom board (11), then tighten to left side panel (5), right side panel (6) and divider board (10).
7. Attach 2 adjustable anchor brackets (N) to top board (4) by inserting 2 screws (L) through holes on adjustable anchor brackets (N), then tighten to top board (4).

STEP 13



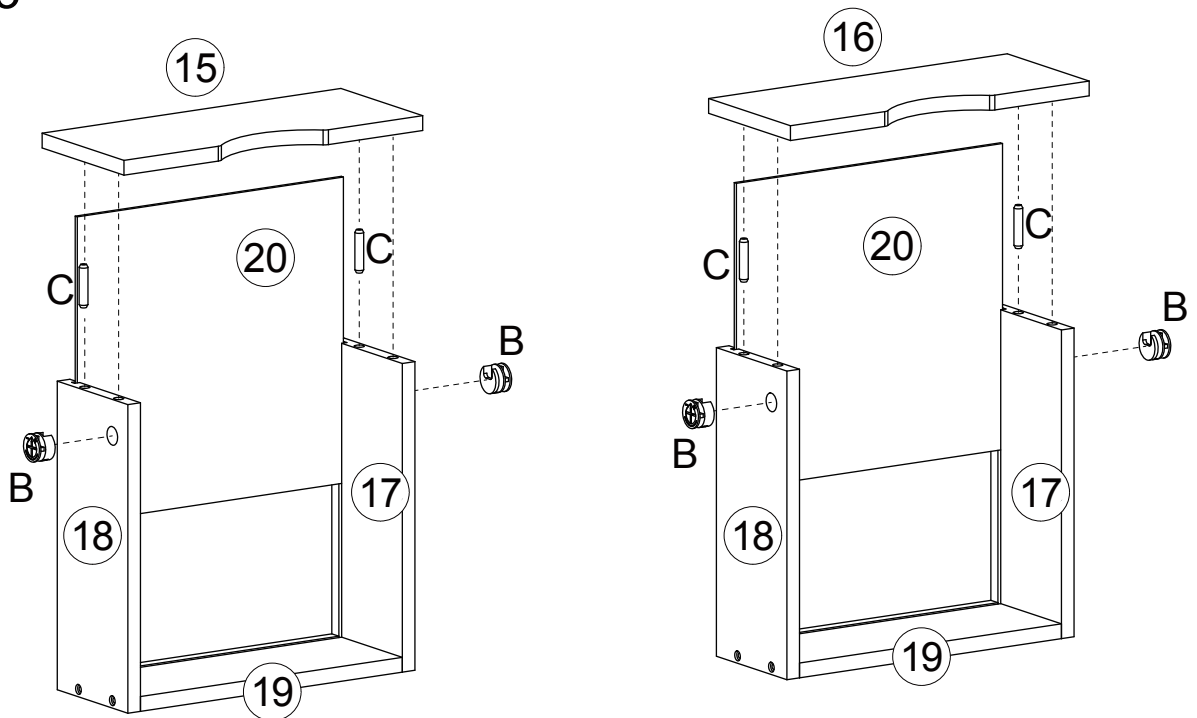
1. Screw 4 cam bolts (A) into cam bolt holes on drawer front boards (15,16).

STEP 14



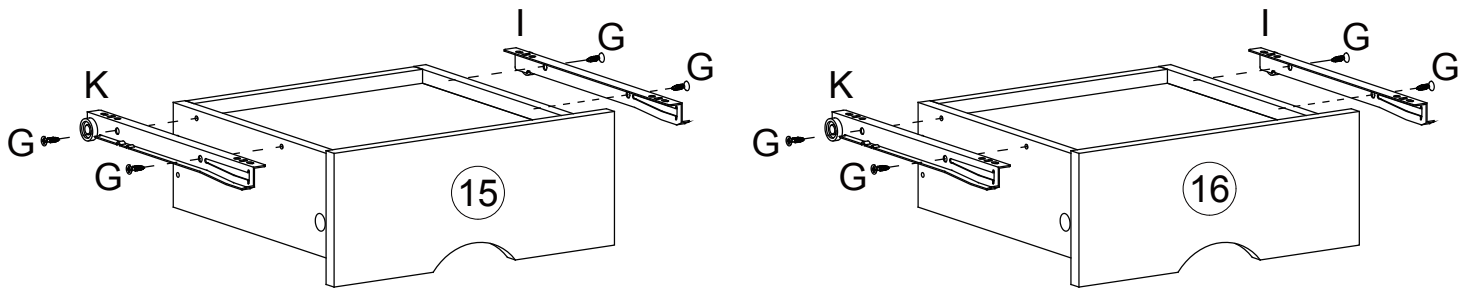
1. Attach drawer left board (17) and drawer right board (18) to drawer back board (19) by inserting 4 screws (E) through holes on drawer left board (17) and drawer right board (18), then tighten to drawer back board (19).
2. Repeat above step to assemble another drawer left board (17) and drawer right board (18) to drawer back board (19).

STEP 15



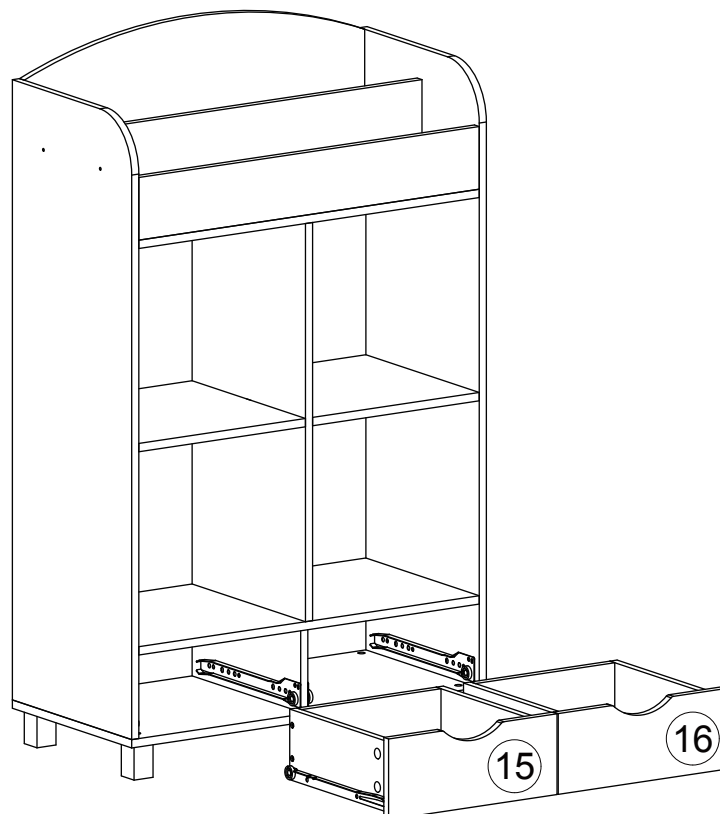
1. Slide 1pc drawer bottom board (20) into grooves on drawer left board (17), drawer right board (18) and drawer back board (19).
2. Insert 2 wood dowels (C) into wood dowel holes on drawer front board (15)
3. Attach drawer front board (15) to drawer left board (17), drawer right board (18) and drawer bottom board (20) by inserting wood dowels (C) into wood dowel holes and inserting cam bolts (A) into cam lock holes on drawer left board (17) and drawer right board (18). Make sure drawer bottom board (20) slides into groove on drawer front board (15).
4. Insert 2 cam locks (B) into cam lock holes on drawer left side panel (17) and drawer right side panel (18), then rotate clockwise to secure cam bolts (A) in place.
5. Repeat above steps to assemble another drawer front board (16).

STEP 16



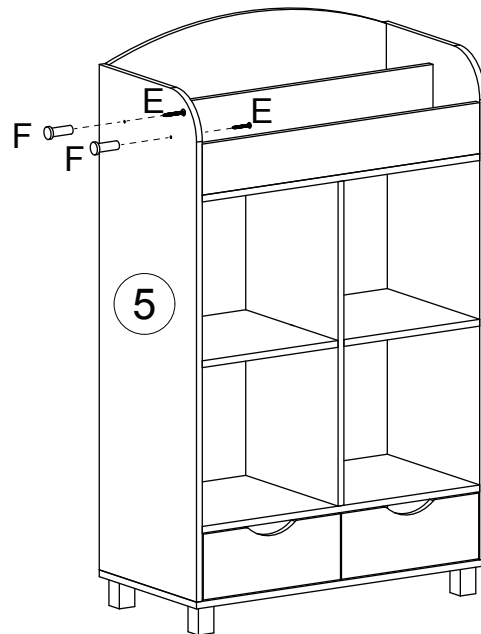
1. Attach drawer slides (K) and (I) to drawer by inserting 4 screws (G) through holes on drawer slides (K, I), then tighten to drawer.
2. Repeat above step to assemble 2 drawer slides (K, I) to other drawer.

STEP 17



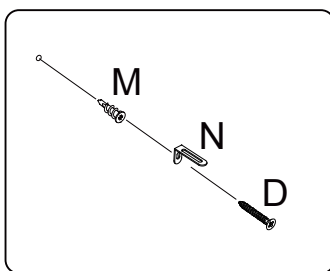
1. Slide 2 drawers into cabinet.

STEP 18

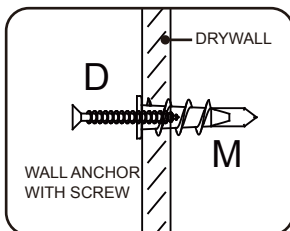


1. Attach 2 wood pegs (F) to left side panel (5) by inserting 2 screws (E) through holes on left side panel (5), then tighten to 2 wood pegs (F).

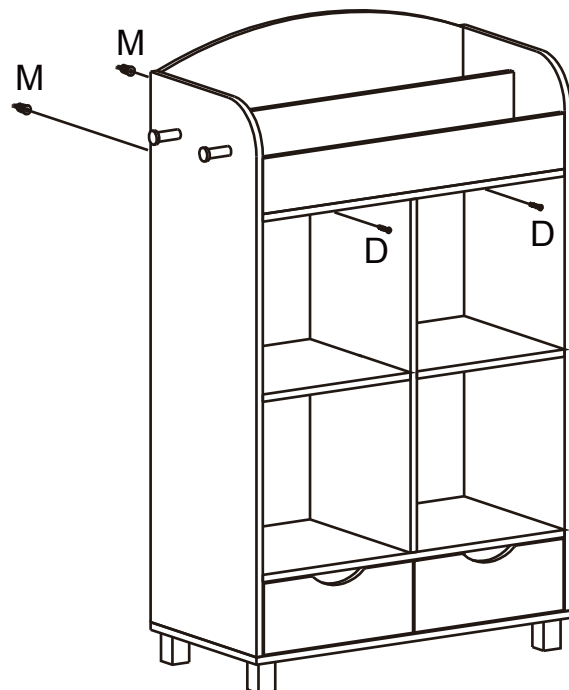
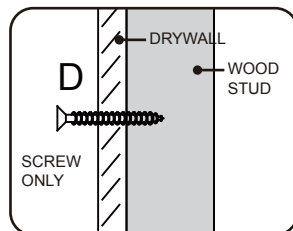
STEP 19



OPTION #1



OPTION #2



Option #1: Securing to Drywall

1. Position cabinet and brackets (N) against wall in desired location. Using a pencil, make 2 small marks on wall through holes on brackets (N). Move cabinet away from wall and screw 2 plastic anchors (M) into wall on pencil marks.
2. Place cabinet against wall, insert 2 screws (D) through holes on brackets (N), then tighten to plastic anchors (M).

Option #2: Securing to Drywall and Wood Stud

1. Position cabinet and brackets (N) against wall in desired location. Insert 2 screws (D) through holes on brackets (N), then tighten through drywall and into wood stud.

*Tip: Anchor brackets (N) can be adjusted to correct distance from wall to cabinet as needed. Once adjusted, be sure to re-tighten brackets inside cabinet for stability.

ATTENTION ADULTS: Cabinet should be checked periodically for damage or loose screws/parts. Take appropriate action necessary to correct hazards such as tightening of screws and taking any damaged parts away from children.

WARNING  **Please make sure your item is secured to the wall, per assembly instructions.**

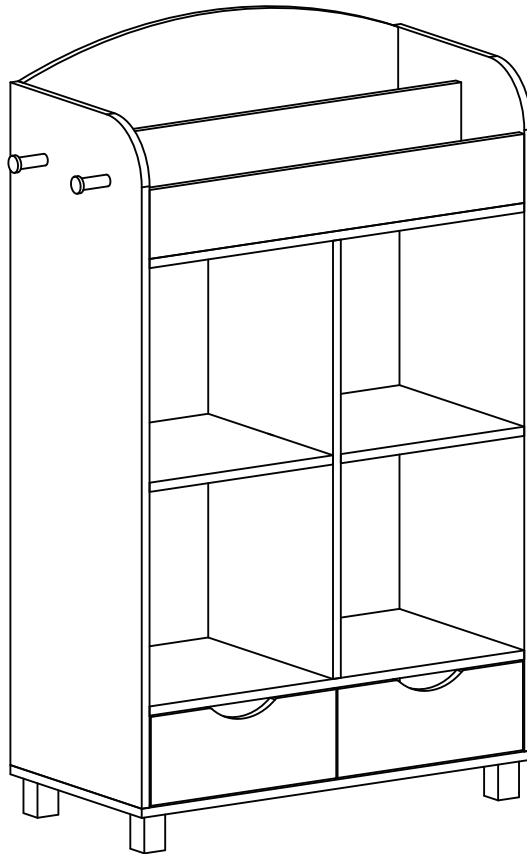
CARE INSTRUCTIONS:

Wipe clean with a water dampened cloth. Wipe dry with clean cloth.

IMPORTANT:

Keep assembly instructions for future reference.

Enjoy Your New RiverRidge® Storage Cabinet!



Thank you for purchasing this RiverRidge® Home item. We hope you enjoy it and consider purchasing other RiverRidge® items.

To order replacement parts at no cost to you, email customer.service@ssi-rr.com, call 1-(844)-223-5201 or order parts online at www.riverridgehome.com. Only valid in the United States. If purchased outside of the United States, please contact retailer where purchased.

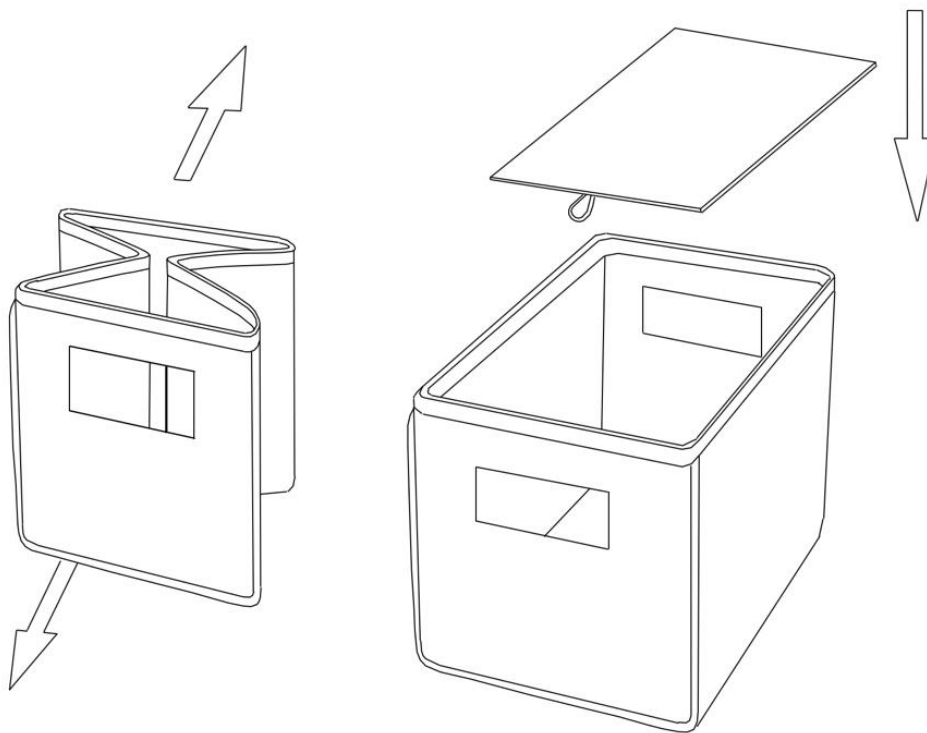


RiverRidge® is a registered trademark of Sourcing Solutions, Inc., Hudson, WI 54016

Distributed by:
Sourcing Solutions, Inc.
Hudson, WI 54016
Made in China

RiverRidge® Kids Two-Piece Folding Storage Bin

ADULT ASSEMBLY REQUIRED



Thank you for purchasing this RiverRidge® Home item. We hope you enjoy it and consider purchasing other RiverRidge® items.

To order replacement parts at no cost to you, email customer.service@ssi-rr.com, call 1-(844)-223-5201 or order parts online at www.riverridgehome.com. Only valid in the United States. For purchases outside of the United States, please contact retailer where purchased.



RiverRidge® is a registered trademark of Sourcing Solutions, Inc., Hudson, WI 54016