

Wynford® Technical Specification

24" Towel Bar

YB5224

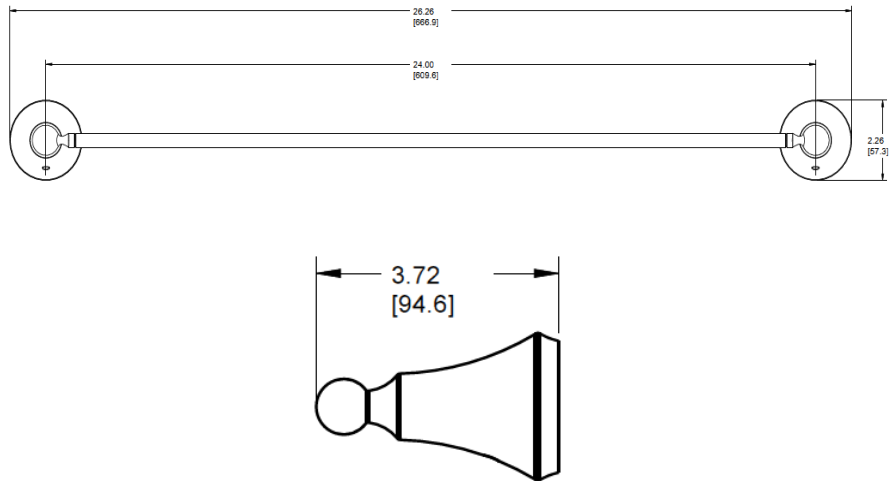
Stock Numbers:

- ❑ YB5224CH – 24" Towel Bar
Chrome Finish
- ❑ YB5224BN – 24" Towel Bar
Brushed Nickel Finish

Materials:

24" Towel Bar is constructed of zinc.

Dimensions:



Installation Instructions:

- 1) Position the mounting template on the wall in the desired location.
- 2) Using a level, align the template and tape it to the wall.
- 3) Drill two 1/4" holes at each mounting post location that corresponds to your product.
- 4) Remove the template from the wall.
- 5) Lightly tap anchors until flush with the wall.
- 6) Remove mounting posts from the product assemblies by loosening each setscrew.
- 7) One at a time, Place each mounting post over anchors (notch facing downward and insert screws through post into anchors.
- 8) Tighten screws,

Cleaning Instructions:

To preserve the fine finish of this product, clean only with a soft damp cloth. Dry well. Do not use commercial or abrasive cleaners.

Stock Number: YB5224 24" Towel Bar

 **MOEN**
Buy it for looks. Buy it for life.®

25300 AL MOEN DRIVE • NORTH OLMSDED, OH 44070
CORPORATE HEADQUARTERS: (800) 321-8809 • FAX: (800) 848-6636
INTERNATIONAL: (440) 962-2000 • FAX: (440) 962-2726
CUSTOMER SERVICE (USA): 800-882-0116 • FAX: (888) 379-2720
WWW.MOEN.COM
© 2014 Moen Incorporated. Moen is a registered trademark and Oxy is a trademark of Moen Incorporated. All rights reserved.