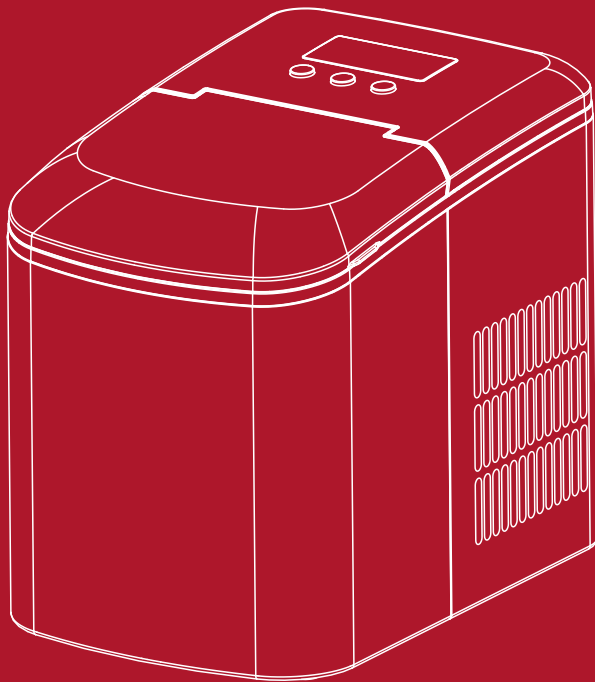




**COSTWAY**

WHERE THERE IS COSTWAY THERE IS HOME



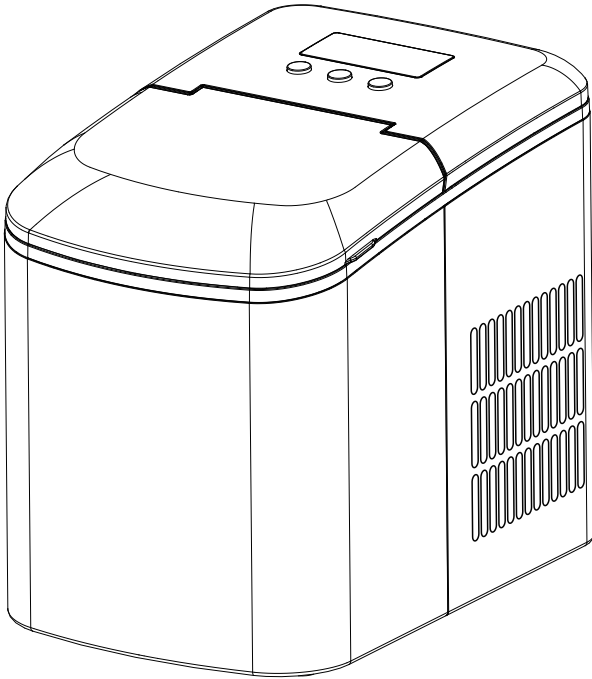
## **USER'S MANUAL**

**Ice Maker  
EP23840**



# INSTRUCTION MANUAL

## Ice Maker



Model: EP23840

AC 110-120V,60Hz, 120W

Read this booklet thoroughly before using and save it for future reference

## **Important Notices:**

When using an electrical appliance, basic safety precautions should always be followed to reduce the risk of fire, electric shock, and/or injury, including the following:

1. Read all instructions before using.
2. Remove all packing material and carefully check your ice maker to ensure it is in good condition and that there is no damage to the ice maker or power cord and plug.
3. Before using the Ice maker for the first time, please wait 2 hours after positioning it, and keep the transparent lid open for at least 2 hours
4. Pure water is not allowed to be used on this unit, spring water is recommended.
5. Ensure the voltage is compliant with the voltage range stated on the rating label, and ensure the earthing of the socket is in good condition.
6. If the supply cord is damaged, it must be replaced by the manufacturer or its service agent or a similarly qualified person in order to avoid a hazard.
7. Do not upend this product or incline it over a 45 degree angle.
8. To protect against risk of electric shock, do not pour water on cord, plug and ventilation, immerse the appliance in water or any other liquid.
9. Unplug the appliance after using or before cleaning.
10. Keep the appliance 8cm from other objects to ensure the good heat releasing.
11. Do not use the accessories which are not recommended by Manufacturer.
12. This appliance can be used by children aged from 8 years and above and persons with reduced physical, sensory or mental capabilities or lack of experience and knowledge if they have been given supervision or instruction concerning use of the appliance in a safe way and understand the hazards involved. Children shall not play with the appliance. Cleaning and user maintenance shall not be made by children without supervision. Children should be supervised to ensure that they do not play with the appliance.
13. Do not use the appliance close by flames, hot plates or stoves.
14. Do not switch on the power button frequently (ensure 5min. interval at least) to avoid the damage of compressor.
15. Metal sheet or other electric objects are not allowed to be inserted into the

appliance to avoid fire and short circuit.

16. Do not use outdoors.
17. Never clean with scouring powders or hard implements.
18. Please keep the instruction manual.
19. Warning: Do not store explosive substances such as aerosol cans with a flammable propellant in this appliance.
20. This appliance is intended to be used in household and similar applications such as
  - staff kitchen areas in shops, offices and other working environments;
  - farm houses and by clients in hotels, motels and other residential type environments;
  - bed and breakfast type environments;
  - catering and similar non-retail applications



Is fire warning sign. Caution risk of fire.

## Specifications:

Model Number: EP23840

Water Reservoir Capacity: 2.1 L

Daily Ice Output: 26 lbs / 24 hours

Voltage: AC 110-120V

Ice Sizes: small , large

Frequency: 60 Hz

Ice Storage Capacity: 600 g

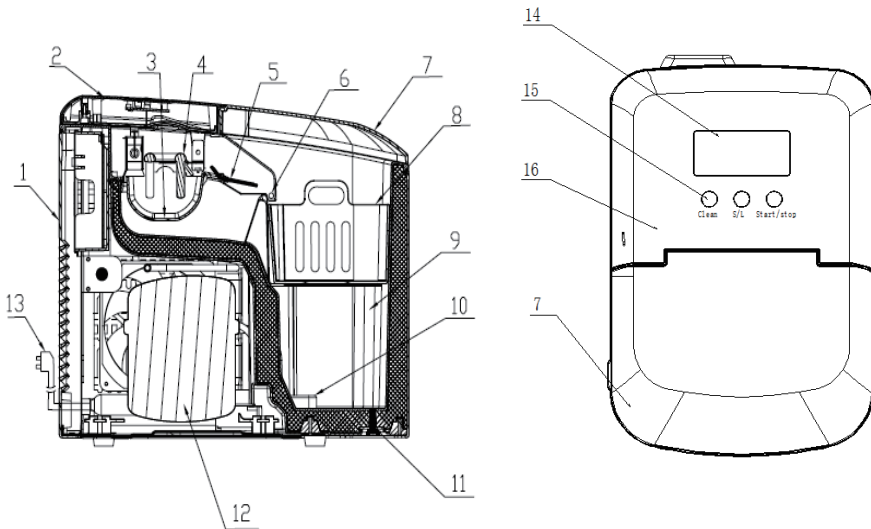
Power Consumption: 120 W

Refrigerant: R134a

Unit Dimensions: 248(W)X372(D)X315(H)mm

Packing Dimensions: 435(W)X310(D)X370(H)mm

## Description:



1. Rear Cover

2. Top Cover

3. Water Tray

4. Evaporator

5. Ice Shovel

6. Ice-Bin-Full Sensor

7. Transparent lid

8. Ice Basket

9. Water Reservoir

10. Filter

11. Water Drain Plug

12. Compressor

13. Power Cord

14. Control panel

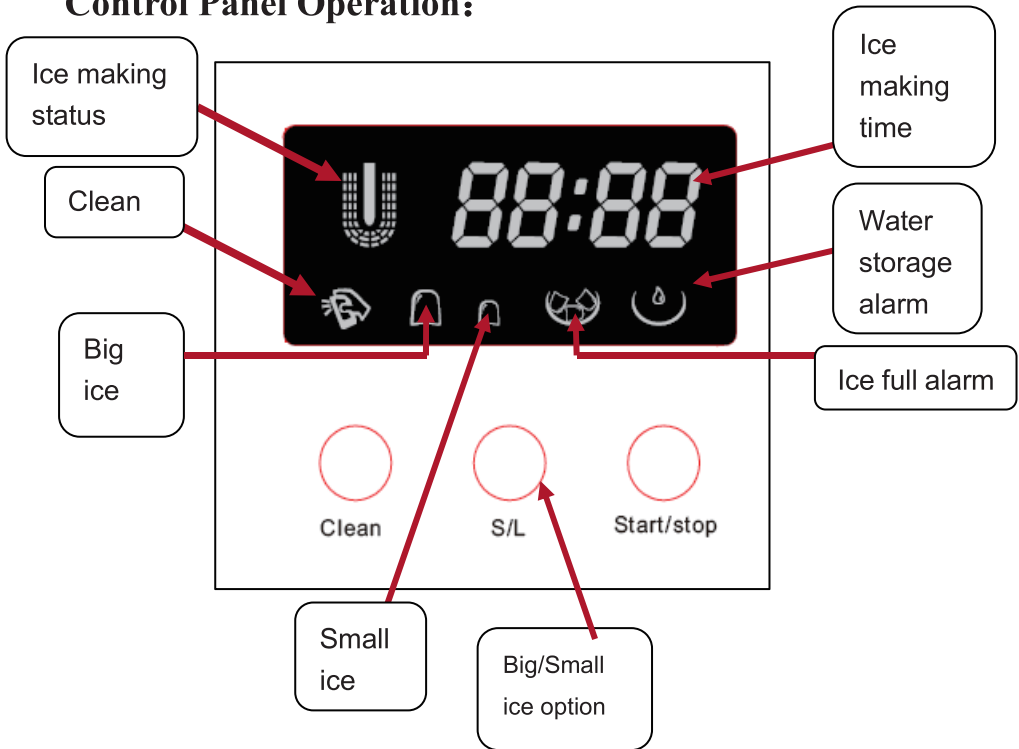
15. Button

16. Stainless iron panel

## **Feature:**

- ✧ Produce up to 26 lbs of bullet ice per 24 hours
- ✧ Elegant compact design with colorful housing optional
- ✧ Removable ice basket is included
- ✧ Big transparent full-view window. ice making process is visible through this special window
- ✧ Easy-use control design .
- ✧ Two ice sizes is optional. Self-indicator of full ice & water shortage is included
- ✧ Self-clean function is optional.
- ✧ Professional anti-bacteria material is included

## Control Panel Operation:



1. **Plug in the power**, and the display is on. The machine will start the deicing function first. After no operation, the machine will enter the standby mode automatically.
2. **Clean button:** After pressing the Clean button, press the **Start/Stop** button, and the machine will enter the cleaning function automatically. The period is about 150 seconds.

During this period, please do not cut off the power supply, and it will enter to standby mode after finishing cleaning.



**3. S/L button:** select ice size mode, and the default mode for each boot is large ice production mode, and the icon of the selected mode is displayed. The production time of small ice is 7 minutes, while that of big ice is 8 minutes.

**4. Start/Stop button:** after plugging in the power, press Start/stop button to Start the ice making function. The default mode is big ice making mode.

**5. Time display:** after the machine starts to make ice, the time will start to be timed. The calculated time will start to be timed in minutes. The machine display time will not stop during the operation of the machine.

**6. Water shortage alarm:** during the water pump, if the water flow is not detected within 5 seconds, the water shortage icon will be displayed and the machine will stop working.

**7. Ice tip:** when the machine compressor is not working, the infrared indicator light will be blocked for more than 5 seconds, then the ice icon will be displayed. At the same time, the machine will stop working. Infrared ray continues to detect, when the detection is not blocked, the machine continues to work.

## **Operating Instructions:**

### **1. Step 1**

Open the lid, take out the basket, and add water to the reservoir.

Note: there is the maximum scale MAX in the reservoir, and the water should not exceed the MAX position. If the water exceeds the maximum scale MAX, the bottom drain plug should be opened, the excess water should be released, and the transparent cover should be covered.

### **2. Step 2**

Plug in the power and press Start/stop to start the machine.

### **3. Step 3**

Choose the size of ice you want to make, default ice

**Note:**

**1. When the indoor temperature is below 59°F , please choose small ice.**

**When the indoor temperature is above 86°F , it is recommended to choose large ice.**

**2.For the first three cycles, the ice is small and irregular.**

**3. When the ice basket is full, please take out the ice immediately and don't let the ice overflow the ice basket**

### **Cleaning & Use Guidance:**

1. Clean the inner liner, ice collecting tray, water box, ice shovel and evaporator frequently. When cleaning, unplug the unit and remove the ice cubes.

Use a diluted solution of water and vinegar to clean the inside and the outside surface of the Ice maker. Do not spray Ice maker with chemicals or diluted agents such as acids, gasoline or oil. Rinse thoroughly before starting.

2. Keep ventilation openings in the appliance enclosure, or in the built-in structure, clear of obstruction. Do not use mechanical devices or other means to accelerate the defrosting process, other than those recommended by the manufacturer.

3. If the machine is re-used after a period of time, due to air block, the water pump may not be able to pump up enough water. In this way, the water shortage indicator pattern will come out, and you need to press the Start/stop button again and Start again.

4. To ensure the cleanness of ice, please change water for water reservoir at least once one day. If do not use for a long time, please drain the water out and clean it up.
5. If the compressor is not working due to lack of water, ice, power failure, etc., if the machine is started again, the compressor will start up 3 minutes later
6. Always use fresh water before starting ice production either at initial installation or after a long shut-off period.

## **Troubleshooting:**

1. Please note, if a power failure occurs due to disconnection of the power cord, or the power button has been pushed off during an ice making cycle, small ice chips may formed and lodge in the automatic shovel causing it to jam. If this occurs, the ice chips may be removed by disconnecting the power cord and gently pushing the shovel to the rear of the cabinet and removing the ice chips, then restarting.
2. Please check if the water reservoir is flat when the ice shovel can not remove the ice to ice basket. If not, please push the ice shovel gently by finger, then press POWER button to restart.

<b>PROBLEM</b>	<b>POSSIBLE CAUSE</b>	<b>SUGGESTED SOLUTIONS</b>
The compressor works abnormally with a Buzzing Noise	The voltage is lower than recommended	Stop the Ice maker and do not restart until the voltage is normal.

<p>Water shortage indicator light is on</p>	<p>1. There is no water 2. The pump is full of air</p>	<p>1. Add to some water until it reaches MAX position 2. Press POWER button to restart</p>
<p>Indicator lights on display are not on</p>	<p>Blown fuse/ No power</p>	<p>Replace fuse / Turn power on</p>
<p>The Ice made is too large and with pieces sticking together.</p>	<p>1. water temperature is too low 2. Ice of previous cycles left in the water tray</p>	<p>1. Select small size 2. Take out the ice under the standby state</p>
<p>All indicators twinkle simultaneously</p>	<p>Water tray is blocked by ice cube</p>	<p>Unplug the power to take out the ice which blocking the tray, then plug the power and press the POWER button, the machine will restart 3mins later.</p>

## WARNING

If the power cord is damaged; it must be replaced by the manufacturer, its service agent or a similarly qualified person in order to avoid a hazard.

Fill with potable water only.

It is normal for the compressor and condenser surface to reach temperatures between 158°F and 194°F during operation and surrounding areas may be very hot.

Due to fast freezing, ice cubes may appear “Cloudy”. This is air trapped in the water and will not affect quality or taste of ice.

This appliance is not intended for use by persons (including children) with reduced physical, sensory or mental capabilities or lack of experience and knowledge unless they have been given supervision or instruction concerning use of the appliance by a person responsible for their safety.

Children should be supervised to ensure that they do not play with the appliance.

Do not immerse in water

1) Warning –keep ventilation openings ,in the appliance enclosure or in the built-in structure clear of obstruction.

2) Warning – do not use mechanical devices or other means to accelerate to defrosting process ,other than those recommended by the manufacturer.

3)Warning – do not damage the refrigerant circuit.

4)Warning – do not use electrical appliance inside the food storage compartments of the appliance ,unless they are of the type recommended by the manufacture.

### Correct Disposal of this product



This marking indicates that this product should not be disposed with other household wastes throughout the EU. To prevent possible harm to the environment or human health from uncontrolled waste disposal, recycle it responsibly to promote the sustainable reuse of material resources.





**TIPS:**

Your suggestions and comments for Costway are really important to us!  
We sincerely solicit you to go back to our shop and leave a good rating in just a simple click. It would be quite encouraging if you could kindly do so like below:

★★★★★ Great products so far

February 24, 2018

Great product so far. Fast delivery, easy setup, and working without any issues.

With your inspiring rating, Costway will be more consistent to offer you  
**EASY SHOPPING EXPERIENCE, GOOD PRODUCTS and EFFICIENT SERVICE!**

US office:Fontana

UK office:Ipswich



**COSTWAY**

WHERE THERE IS COSTWAY THERE IS HOME

