

\_\_\_\_\_

# PARTS BREAKDOWN SHEET



## ACCENT TWO HANDLE TUB AND SHOWER SET



**Model #:** \_\_\_\_\_

**Specific Features:** \_\_\_\_\_

**Project Name:** \_\_\_\_\_

**Submitted For:** \_\_\_\_\_

**Date:** \_\_\_\_\_

- Lever Handles
- 1/2" IPS Inlets
- Washerless Cartridge Operation
- Showerhead, Arm & Flange
- 1/2" IPS Diverter Tub Spout

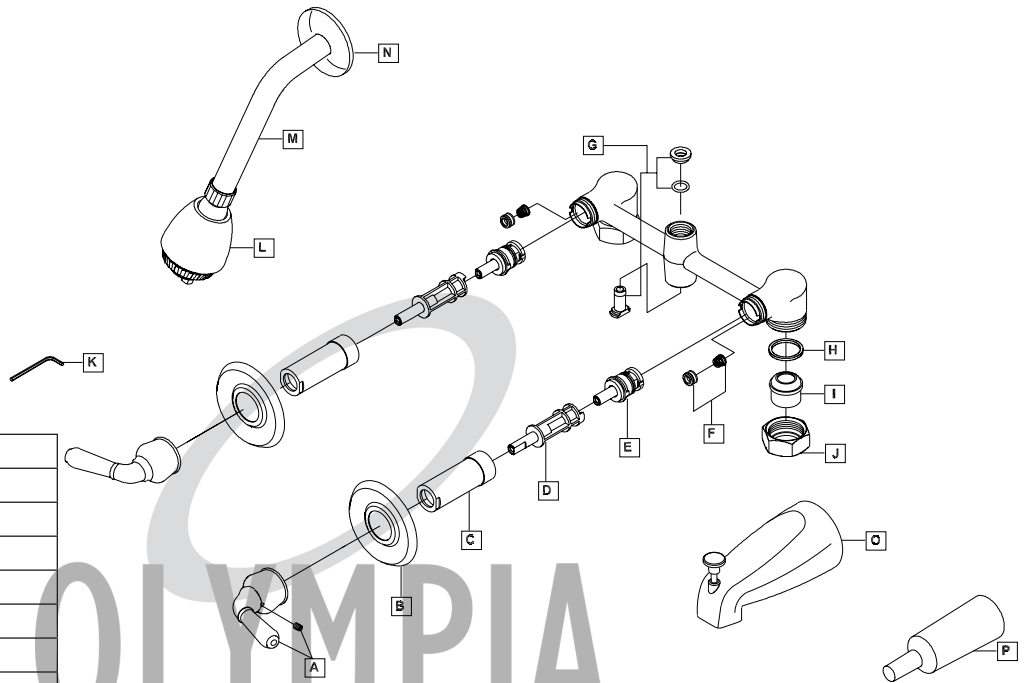
# P-1230 SHOWN **ADA**

Model #	Features	Finish	
P-1230*		CP	
P-1230-BN*		PVD BN	
P-1232*	Shower Set	CP	
P-1232-BN*	Shower Set	PVD BN	

Olympia products are engineered and manufactured to meet the following standards and codes:

ASME A112.18.1  
ANSI A117.1

\* Showerhead limited to 2.5 GPM Flow Rate



ITEM #	DESCRIPTION
A	OP-140009* Lever Handle
B	OP-440037* Flange
C	OP-440036* Sleeve
D	OP-440035 Stem Extension
E	OP-340006C,H Cartridge-Cold,Hot
F	OP-490041 Springs & Seats
G	OP-440034 Diverter Piston
H	OP-440050** Washer
I	OP-440015 Union
J	OP-440016 Nut
K	OP-490011 3/32" Allen Wrench
L	OP-640003* 2.5 GPM Showerhead
M	OP-640002* Shower Arm
N	OP-640001* Shower Arm Flange
O	OP-640015* 1/2" IPS Diverter Tub Spout
P	OP-440017 Mounting Mud Guard

\* Note- Please Specify finish/color code while ordering.  
\*\* OP-440050 have been added After 11/2014