

OWNER'S MANUAL



Wood Fire Pro™ Pellet Grill Model # 9020



Keep your receipt with this manual for Warranty.

**CUSTOMER SERVICE
1-912-638-4724
Service@CharGriller.com**

Contents of this manual are Trademarked and Copyrighted by Char-Griller | A&J Manufacturing. Using the information contained in this manual without consent of Char-Griller and/or A&J Manufacturing is strictly prohibited.

IMPORTANT SAFETY WARNINGS

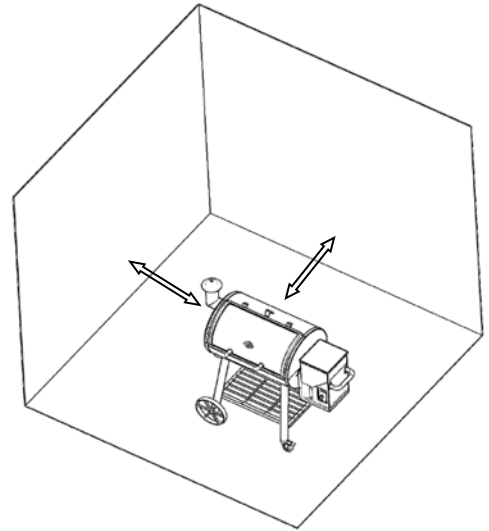
READ ALL SAFETY WARNINGS AND INSTRUCTIONS CAREFULLY BEFORE ASSEMBLING AND OPERATING YOUR GRILL

- Use caution when assembling and operating your grill to avoid scrapes or cuts from sharp edges.
- Do not use gasoline, kerosene or alcohol for lighting wood pellets. Use of any of these or similar products could cause an explosion possibly leading to severe bodily injury.
- Do not use lighter fluid or any flammable liquid on already lit wood pellets.
- When adding wood pellets, use extreme caution.
- Never move grill when it is in use or when it contains hot wood pellets or ashes, keep the grill in a level position at all times while in use.
- Do not place grill near flammable liquids, gases or where flammable vapors may be present.
- When opening grill, first open slightly to let a small amount of air in for a few seconds. This prevents large amounts of oxygen from getting to suffocated wood pellets which may cause dangerous flash back.
- Use caution since flames can flare-up when fresh air suddenly comes in contact with fire. When opening the lid, keep hands, face and body safe from hot steam and flame flare-ups.
- Removing excess fat before cooking will help prevent flare-ups.
- Keep your grill clean to help prevent flare-ups.
- Always put wood pellets into Hopper Box not directly into the Fire Cup of the grill.
- Do not exceed a temperature of 570° F. Do not allow wood pellets to rest on the walls of grill. Doing so will greatly reduce the life of the grill.
- Avoid touching hot surfaces.
- When opening lid, make sure it is pushed all the way back so it rests against the lid support bracket. Use extreme caution as hood could fall back to a closed position and cause bodily injury.
- Close lid to help suffocate flame.
- Always hold an open lid from the handle to prevent it from closing unexpectedly.
- Use caution to protect yourself and property. Carefully place remaining wood pellets and ashes in a noncombustible metal container.
- To protect against bacteria that could cause illness, keep all meats refrigerated and thaw in refrigerator or microwave; keep raw meats separate from other foods; wash everything that contacts raw meats; cook thoroughly; and refrigerate leftovers immediately. Cook meats medium to well done.
- Do not use Grill in wet or rainy conditions.
- Contact local building or fire officials about restrictions and installation inspection requirements in your area.
- Failure to follow these instructions could result in property damage, bodily injury or even death.
- SAVE THIS INSTRUCTION FOR FUTURE REFERENCE.

WARNING

For Safe Use of Your Grill and to Avoid Serious Injury.

- Keep Children and Pets away from Grill. Supervision is necessary and do not leave grill unattended when in use.
- Keep grill area clear and free from materials that burn.
- Use caution when moving grill to prevent strains.
- Use grill only in well-ventilated space. NEVER use in enclosed space such as carport, garage, porch, covered patio, or under an overhead structure of any kind.
- Keep grill at least 10 feet from any combustible material (decks, buildings, fences, trees, bushes, etc.).
- Always place your grill on hard, level, non-combustible surfaces where the protective surface has been approved for such use by the authority having jurisdiction.



Follow these guidelines to prevent this colorless, odorless gas from poisoning you, your family or others.

- Know the symptoms of carbon monoxide poisoning: headache, dizziness, weakness, nausea, vomiting, sleepiness, and confusion. Carbon monoxide reduces the blood's ability to carry oxygen. Low blood oxygen levels and can result in loss of consciousness and death.
- See a doctor if you or others develop cold or flu-like symptoms while cooking or in the vicinity of this appliance. Carbon monoxide poisoning, which can easily be mistaken for a cold or flu, is often detected too late.
- Alcohol consumption and drug use increase the effects of carbon monoxide poisoning. "Carbon Monoxide is especially toxic to mother and child during pregnancy, infants, the elderly, smokers, and people with blood or circulatory system problems, such as anemia, or heart disease.
- Creosote – Formation and need for removal. When wood pellets are burned slowly, they produce tar and other organic vapors that combine with expelled moisture to form creosote. The creosote vapors condense in a relatively cool oven flue and exhaust hood of a slow burning fire. As a result, creosote residue accumulates on the flue lining and exhaust hood. When ignited, this creosote makes an extremely hot fire.
- The grease duct should be inspected at least twice a year to determine when grease and/or creosote buildup has occurred.
- When grease or creosote has accumulated, it should be removed to reduce risk of fire.
- Disposal of ashes – Ashes should be placed in a metal container with a tight-fitting lid. The closed container of ashes should be placed on a non-combustible floor or on the ground, well away from all combustible materials, pending final disposal. When the ashes are disposed by burial in soil or otherwise locally dispersed, they should be retained in the closed container until all cinders have thoroughly cooled.
- Use pellet wood with no more than 8,700 BTU/lb and 2% Ash Content.
- Do not use accessories not specified for use with this appliance.

THIS GRILL IS FOR OUTDOOR USE ONLY.

Storing your Grill:

- Disconnect power cord from outlet.
- Clean cooking grates.
- Store in dry location and out of reach of children.
- Cover grill if stored outdoors.

A MAJOR CAUSE OF FIRES IS FAILURE TO MAINTAIN REQUIRED CLEARANCES (AIR SPACES) TO COMBUSTIBLE MATERIALS. IT IS OF UTMOST IMPORTANCE THAT THIS PRODUCT BE INSTALLED ONLY IN ACCORDANCE WITH THESE INSTRUCTIONS.

Made in China

SERIAL #



**P.O. Box 30864
Sea Island, GA
31561
912-638-4724
www.CharGriller.com**



Register your Grill online at www.CharGriller.com to insure your satisfaction and for follow-up service.

STOP! CALL  FIRST! DO NOT RETURN PRODUCT TO STORE.

Warranty Information – Wood Pellet Grill

Char-Griller® will repair or replace any defective part of its grillers/smokers for a period of up to one year from the date of purchase. Char-Griller® will also repair or replace the body of its grillers/smokers if the metal is rusted through or burned through for a period up to five years.

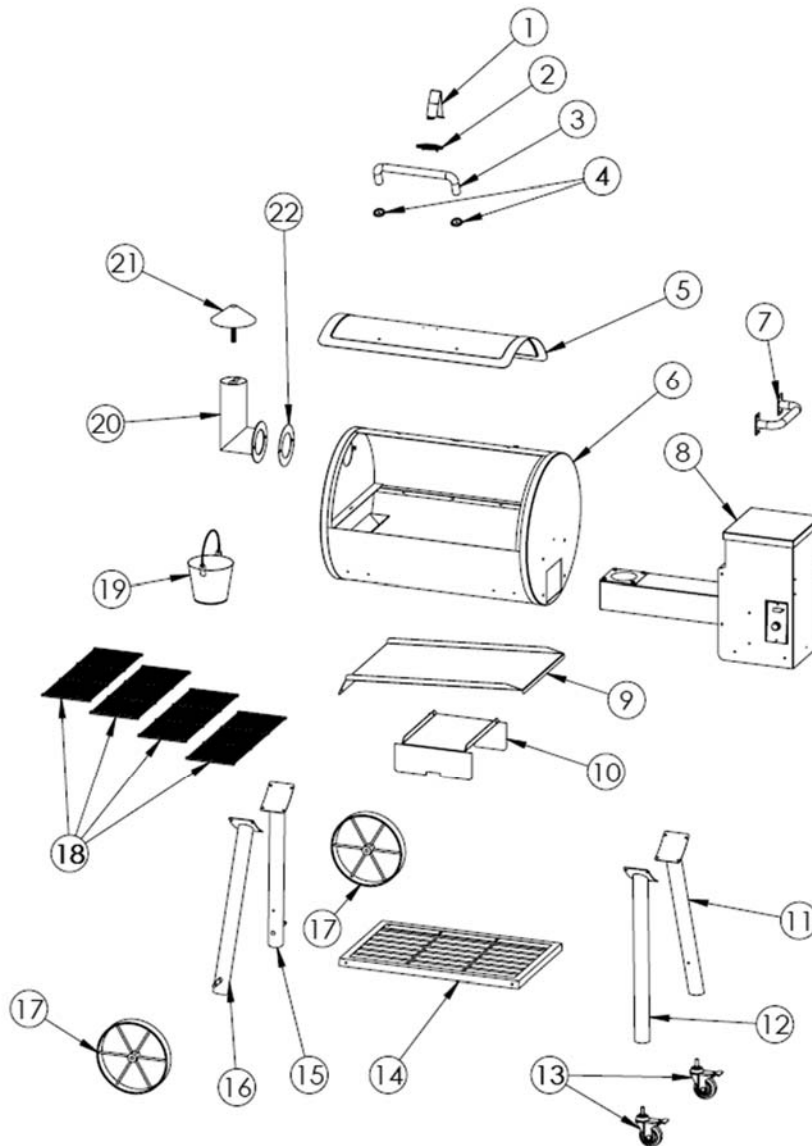
Proof of purchase, proof of purchase date, photo and prepaid return of the item in question may be required. Misuse, abuse, or commercial use nullifies all warranties. Paint/finish is not warranted. Products are not warranted against rust. Warranty applies to original purchaser only whose name appears on credit card, check, or receipt.

The warranty is for replacement of defective parts only. Manufacture will not be responsible for damage resulting from accident, alteration, misuse, abuse, hostile environments, improper installation, installation not in accordance with local codes of service of unit.

This limited warranty does not cover any scratches, dents, corrosion or discoloring by heat, abrasive and chemical cleaners nor any components used in the installation of the appliance.

Save your receipt for all warranty claims. No returns on used grills.

PARTS LIST



Item	Description	QTY
1	Stopper, Lid	1
2	Logo Plate	1
3	Handle, Lid	1
4	Bezel, Lid Handle	2
5	Lid	1
6	Firebox Welded Assembly	1
7	Handle, Trolley	1
8	Pellet Delivery System*: See Page 25	1
9	Tray, Grease	1
10	Heat Diffuser	1
11	Leg, Rear Right	1

Item	Description	QTY
12	Leg, Front Right	1
13	3" Caster Wheel	2
14	Bottom Shelf	1
15	Leg, Rear Left	1
16	Leg, Front Left	1
17	Wheel, Metal,	2
18	Cooking Grate	4
19	Bucket, Grease	1
20	Base, Chimney	1
21	Cap, Chimney	1
22	Gasket, Chimney	1

*See additional breakdown of the Pellet Delivery System in the Pellet Delivery System Breakdown section of the manual.

NOTICE: Always have a fire extinguisher near at all times. Maintain and check your fire extinguisher regularly.

NO RETURNS ON USED GRILLS

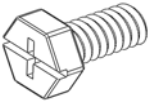



HARDWARE LIST AND TOOLS REQUIRED

(Tools Not Included)

7/16" nut driver



Hardware Pack: 551006

Item Picture	Description	QTY
	Hex Bolt—1/4"-20 x 1/2"	29
	Hex Nut—1/4"-20	2
	Flat Washer—1.2" OD, 0.45" ID	2
	Hex Nut—7/16"-20	2

STOP! CALL  FIRST! DO NOT RETURN PRODUCT TO STORE.

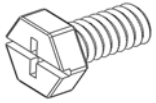
CALL (912) 638-4724. This product has been built to the highest quality standards.

Call us should you have any questions not addressed in these instructions, or for service information.

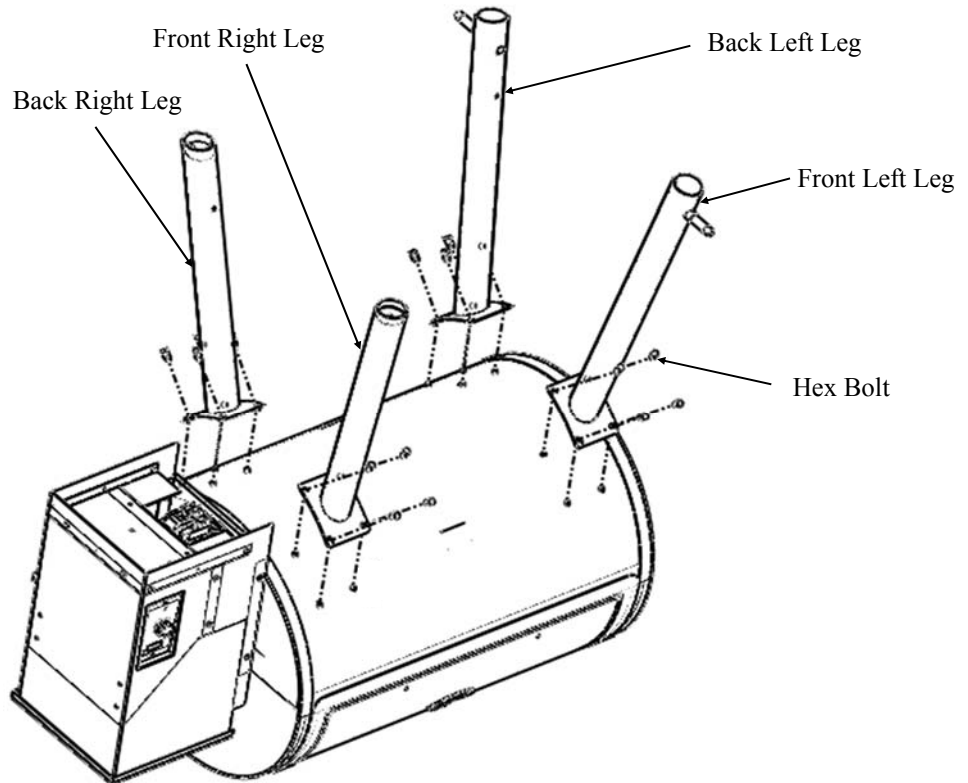
Have the grill's serial number (located on the back of the grill body or on the leg) when calling.

GRILL ASSEMBLY

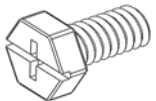
Step 1: Lay the Grill Body with the Bottom of the grill facing up then Position Legs on Grill Body as shown below and secure them with (4) Hex Bolts per Leg.



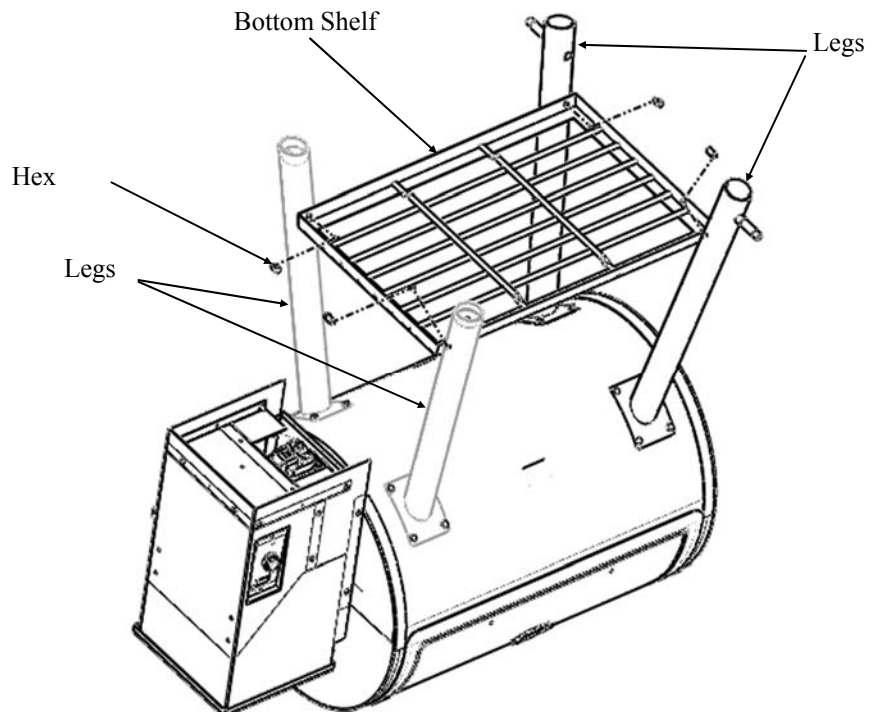
(16) Hex Bolt --1/4"-20 x 1/2"



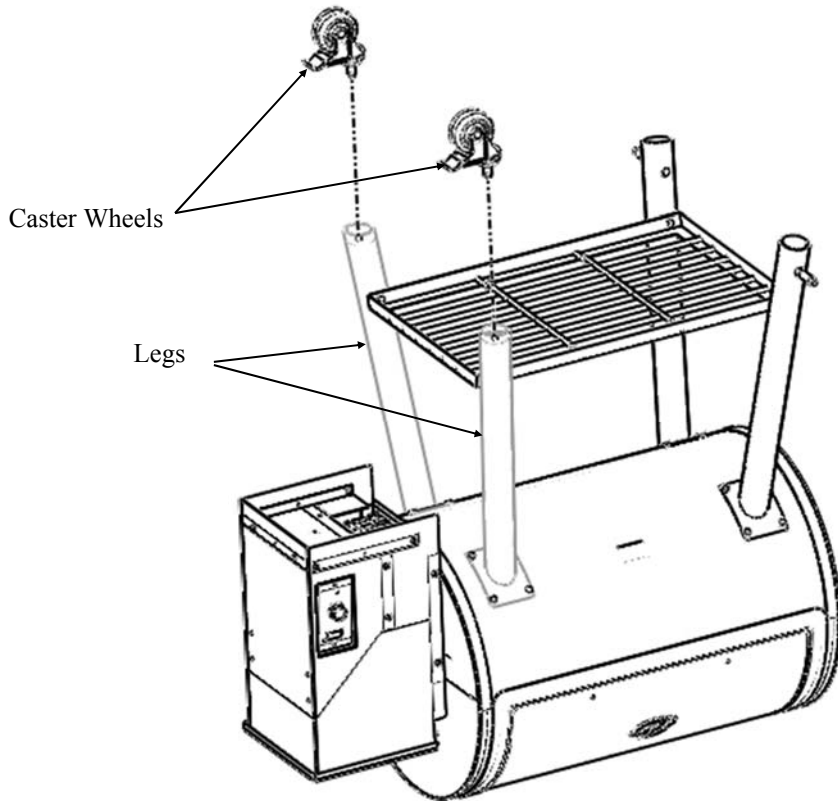
Step 2: Place the Bottom Shelf between the (4) Legs making sure the holes on the Bottom Shelf and Legs are aligned then tighten with (4) Hex Bolts.



(4) Hex Bolt --1/4"-20 x 1/2"



Step 3: Attach Caster Wheels onto the sockets at the bottom of the two legs as shown below.



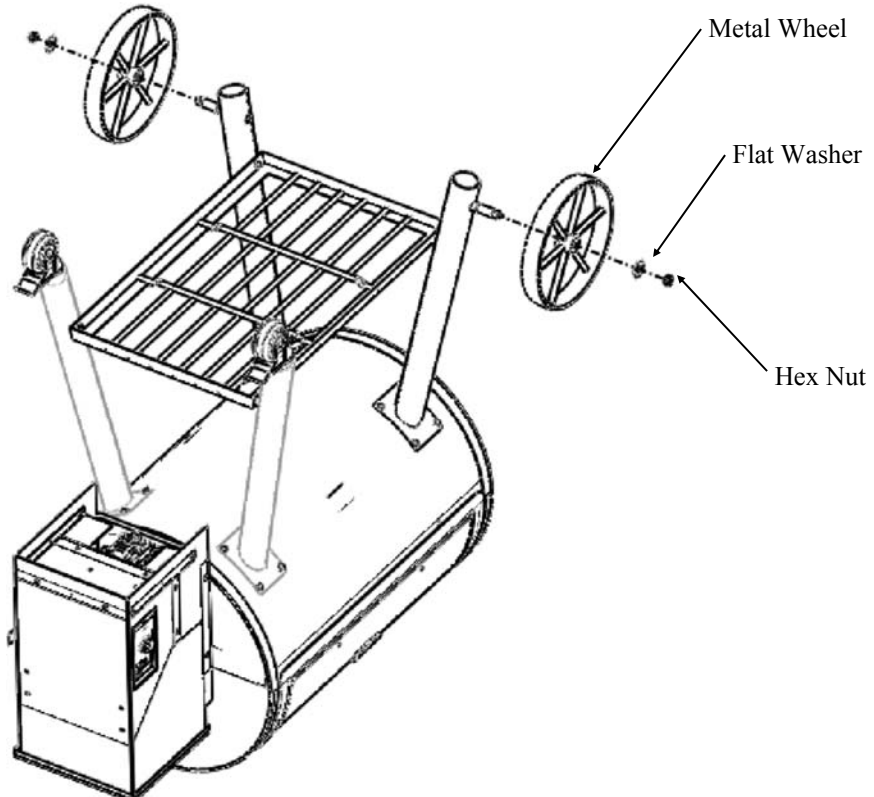
Step 4: Place the Metal Wheel, Flat Washer onto the Axle on the Leg then tighten them with the 7/16-20 Hex Nuts.



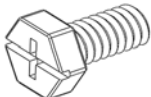
(2) Flat Washer



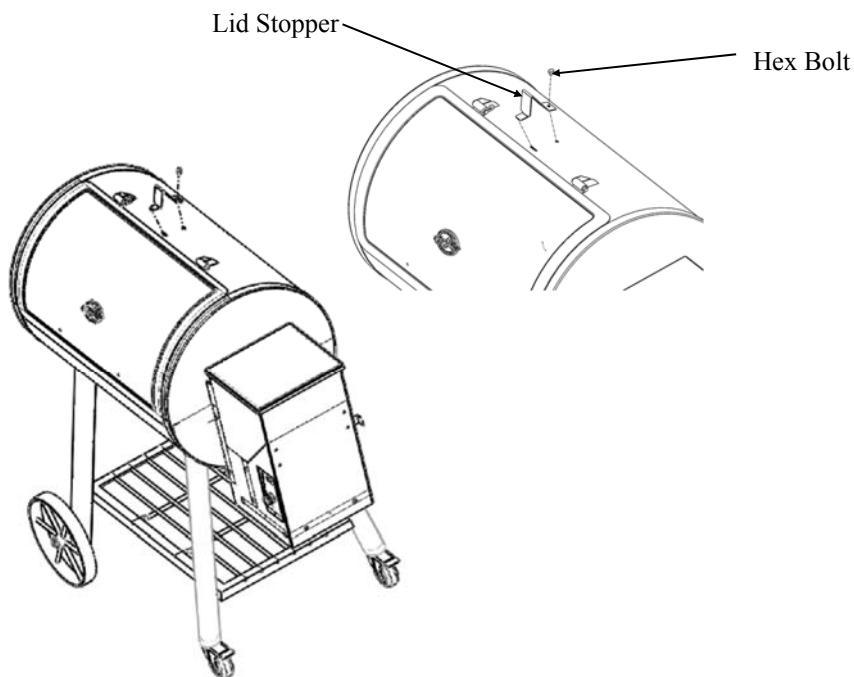
(2) Hex Nut—7/16"-20



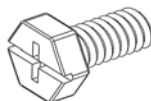
Step 5: Insert the edge of the Lid Stopper into the rectangular slot on the Grill Body then tighten it with a Hex Bolt through the hole on the other end of the Lid Stopper.



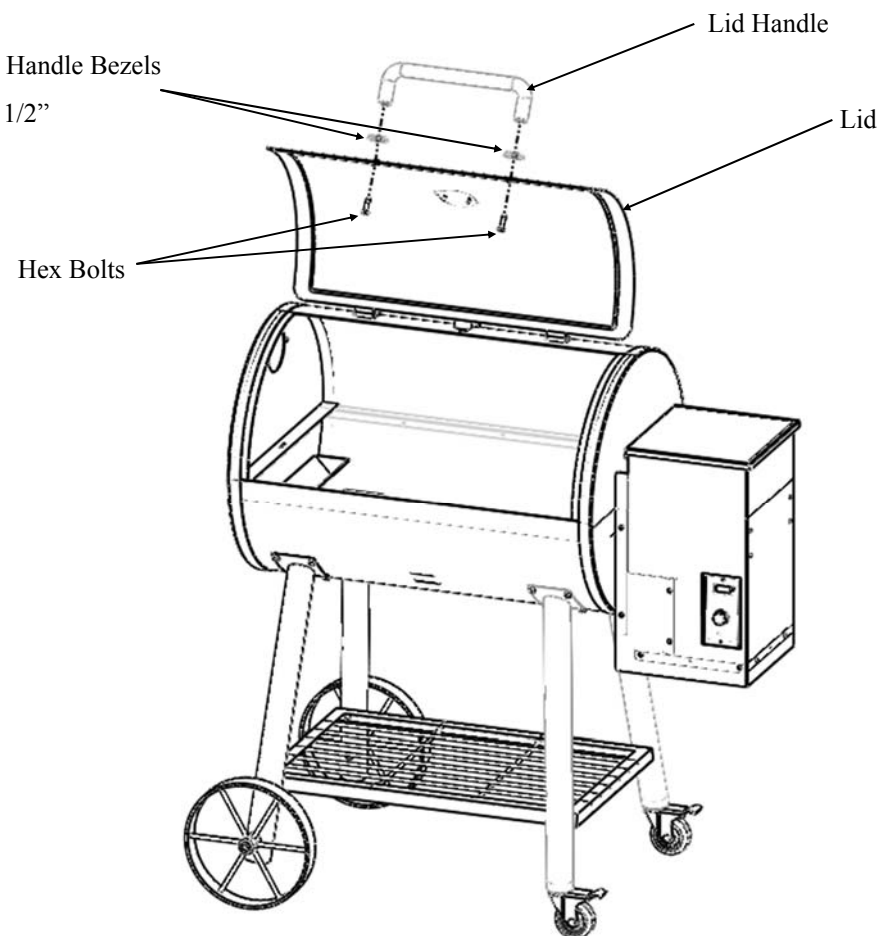
(1) Hex Bolt --1/4"-20 x 1/2"



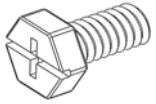
Step 6: Place the Handle Bezels on each end of the Handle then place them on the Grill Lid then tighten them with (2) Hex Bolts, see below.



(2) Hex Bolt --1/4"-20 x 1/2"



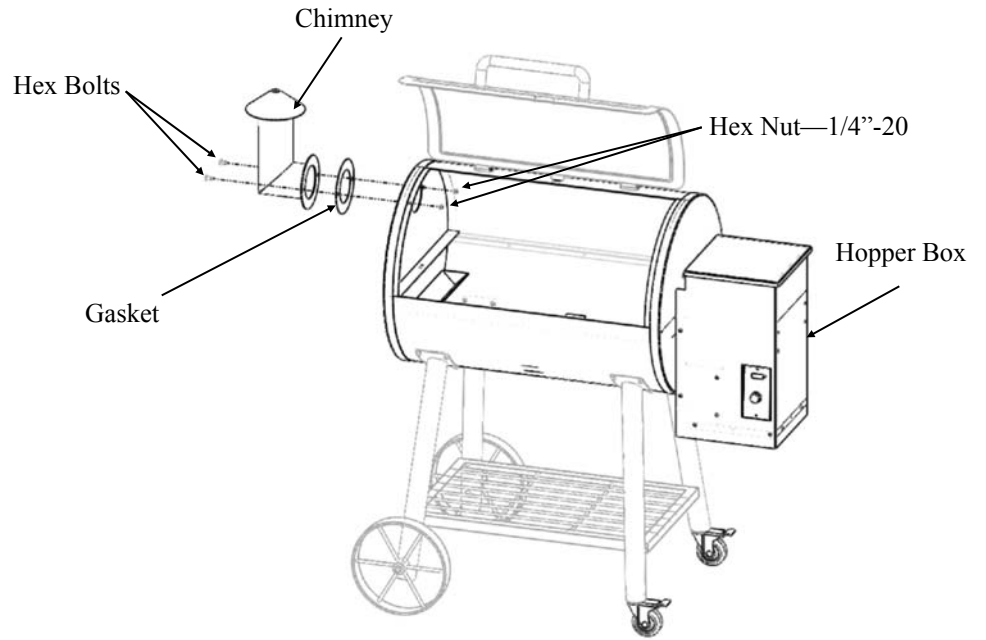
Step 7: Attach Chimney to the side of the Grill Body opposite the Hopper Box.



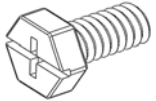
(2) Hex Bolt --1/4"-20 x 1/2"



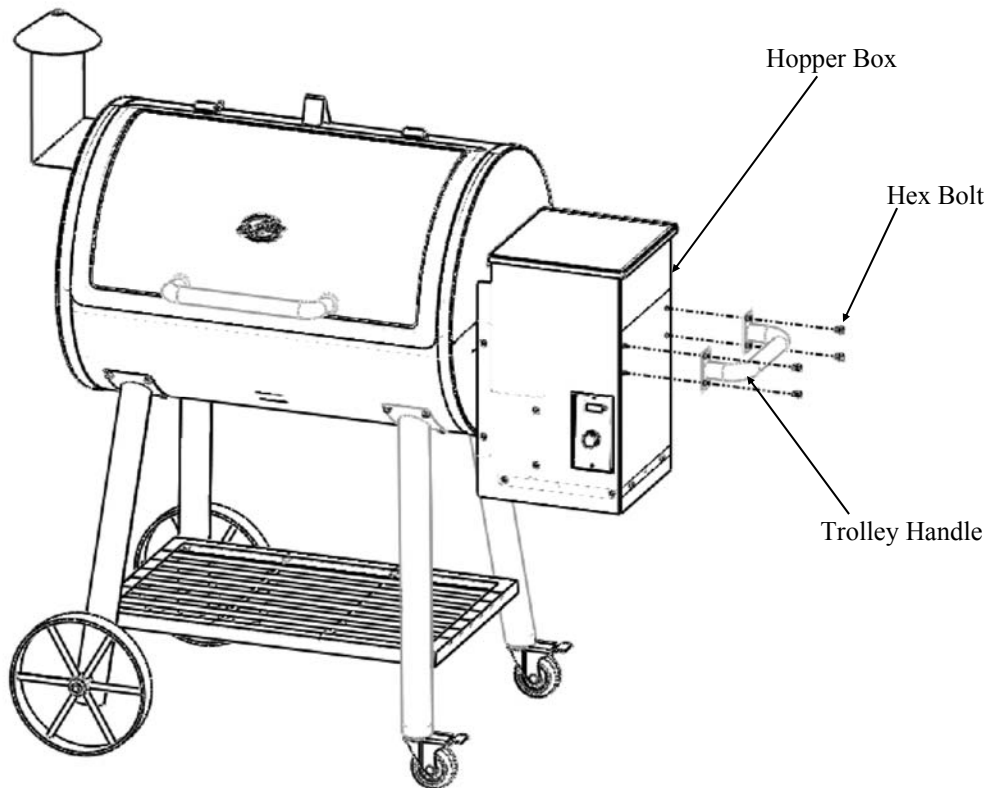
(2) Hex Nut—1/4"-20



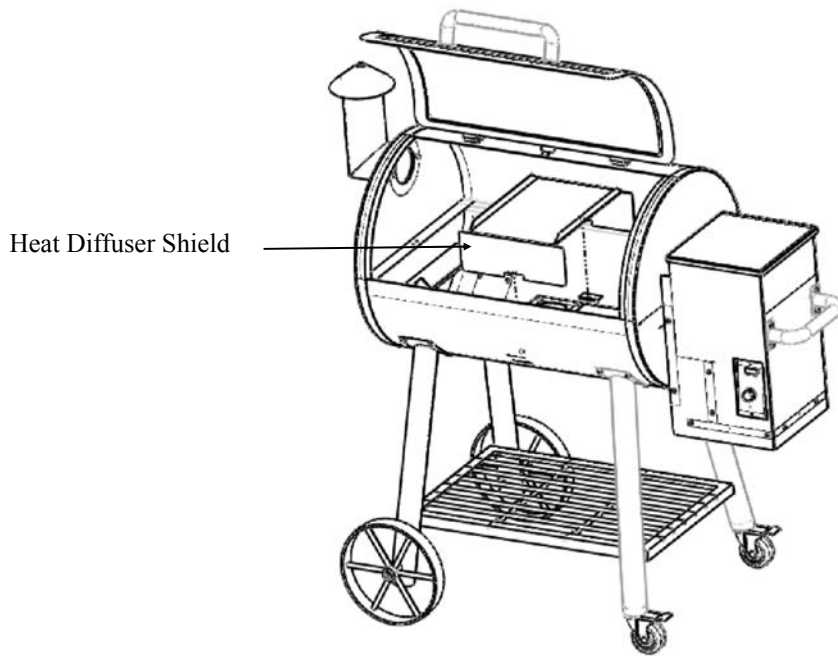
Step 8: Attach Trolley Handle onto the side of Hopper Box.



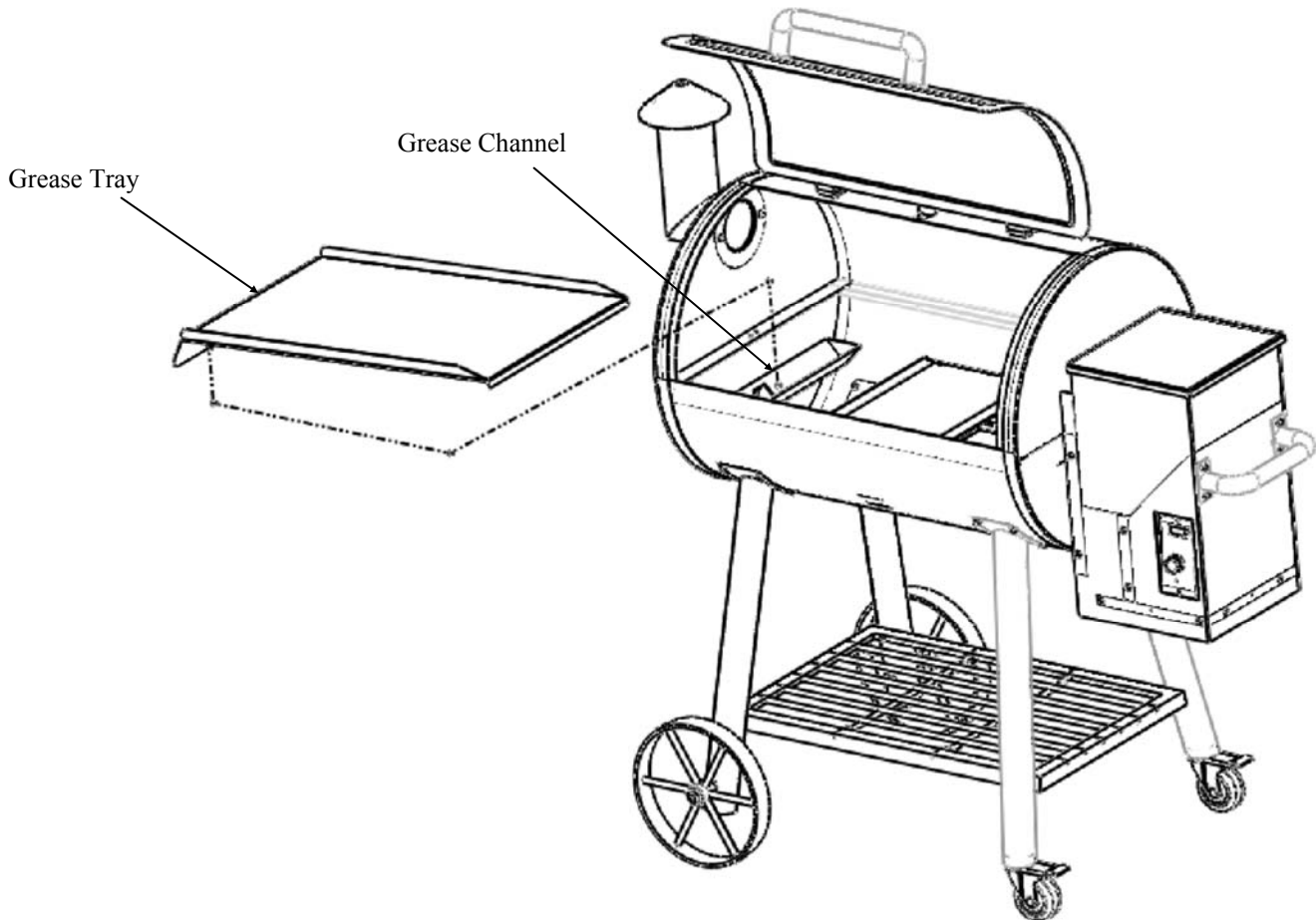
(4) Hex Bolt --1/4"-20 x 1/2"



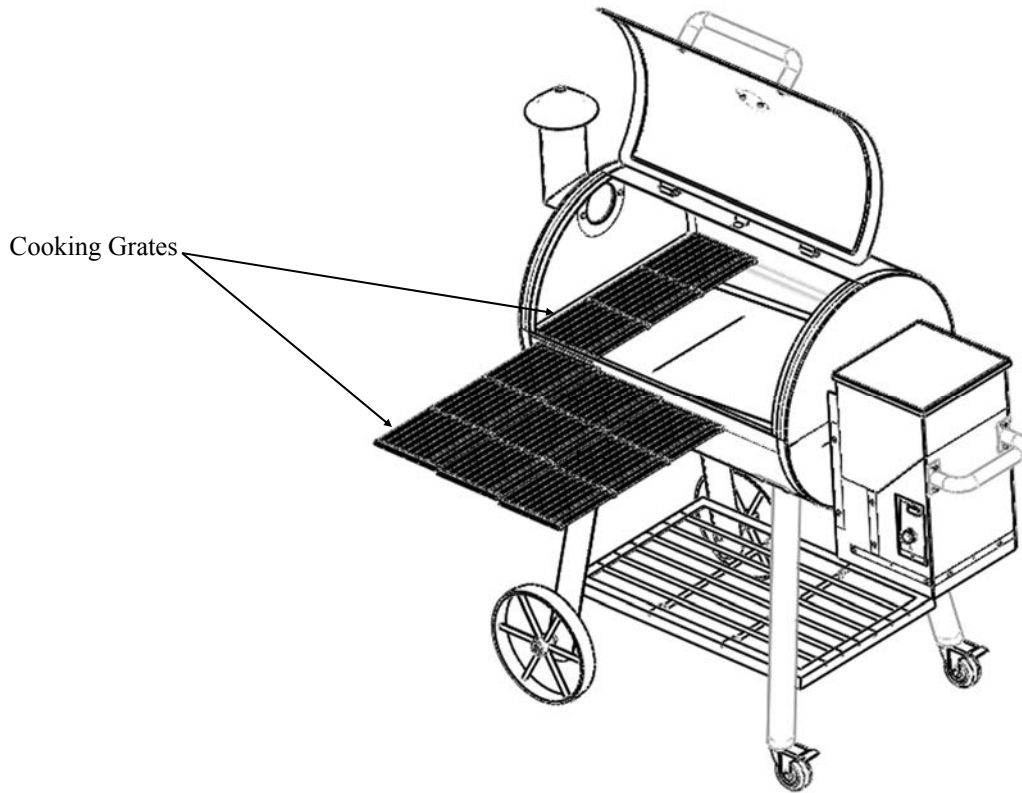
Step 9: Place Heat Diffuser Shield Over the Fire Cup Inside Grill Body at the center of the Grill.



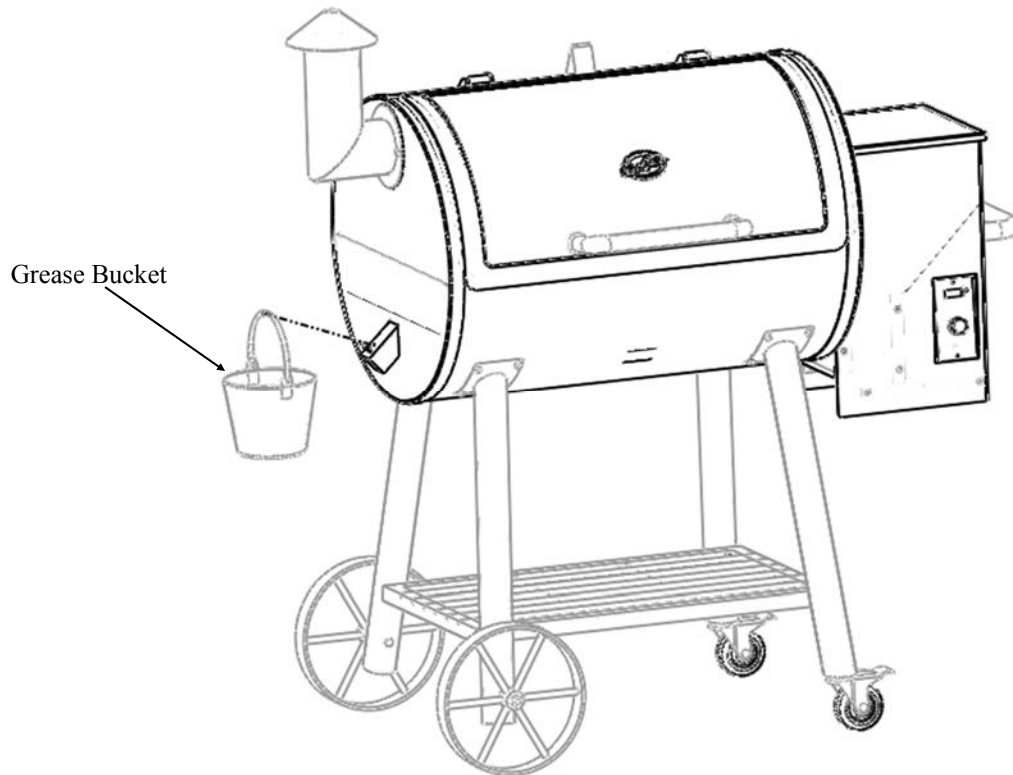
Step 10: Place Grease Tray into Grill Body. The Edge with Cut out on the center should go into the Grease Channel.



Step 11: Place Cooking Grates into Firebox



Step 12: Hang Grease Bucket on hinge of grease tunnel



GRILL PREPARATION

Initial Firing Instructions

These instructions should be followed the first time the grill is ignited and each time the grill runs out of pellets.

- 1.) Remove Cooking Grates, Grease Tray, and Heat Diffuser from the interior of Grill.
- 2.) Open the Pellet Hopper Lid, locate the auger. Make sure there are no foreign objects in the Auger.
- 3.) With the Temperature Dial in the OFF position, plug the power cord into an appropriate, grounded electrical outlet.
- 4.) Turn the Temperature Dial to the SMOKE Position.

Check the following items:

- A.) That the Auger is turning.

DO NOT place fingers or objects in the Auger Tube. This can cause serious injury.

- B.) Place your hand over the Fire Pot and feel for air movement.

DO NOT place your hand in the fire Pot.

- C.) Wait approximately 1 minute and look to see if the Fire Rod is Red Hot.

DO NOT touch the Fire Rod. This item gets extremely HOT and can cause burns.

- 5.) Turn the Temperature Dial to OFF.
- 6.) Fill the Pellet Hopper with Wood Pellets.
**Use only wood pellet fuel (For Best Flavor, use Char-Griller's Gourmet Wood Pellet Fuel).
Do not use pellet fuel labeled as giving additives.**
- 7.) Turn the Temperature Dial to HIGH. During initial Auger charge, it will take time for the Pellets to travel to the Fire Pot. Once the Pellets reach the Fire Pot, turn the Temperature Dial to OFF.
- 8.) Turn the Temperature Dial to SMOKE. Allow the Pellets to come to full flame. Once flames are coming out of the fire pot, turn the Temperature Dial to OFF, and let the Grill cool down.
- 9.) After Grill has cooled, insert Heat Diffuser, Grease Tray, and Cooking Grates into Grill.

Seasoning your Pellet Grill

Before cooking any food on the Grill, it MUST be seasoned.

- 1.) With the Lid open, turn the Temperature Dial to Smoke.
- 2.) In approximately 2 minutes, the pellets will ignite and white/gray smoke will be coming from the grill. Once the pellets have ignited, close the lid, set the Temperature Dial to HIGH, and run for 45 minutes.
- 3.) Turn Temperature Dial to OFF position. Your grill is now ready for cooking.

Helpful Hint: For ease of use and easy clean-up, line the Grease Tray with heavy duty aluminum foil. Make sure the Grease Tray is cool, then layer the aluminum foil across the Grease Tray, form it along all edges. The foil should be flat and tight against the surface of the tray for optimum grease flow. Frequently replace with new aluminum foil and dispose of the old.

Warning: ALWAYS START THE GRILL ON SMOKE SETTING WITH THE LID OPEN. ONCE THE PELLETS ARE IGNITED THEN CLOSE THE LID AND SET THE TEMPERATURE DIAL TO ANY COOKING TEMPERATURE DESIRED.

GRILL OPERATION

Grill Lighting Instructions

- 1.) With the Lid open, turn the Temperature Dial to Smoke.
- 2.) In approximately 2 minutes, the pellets will ignite and white/gray smoke will be coming from the grill. Once the pellets have ignited, close the lid, set the Temperature Dial to HIGH, and run for 45 minutes.

If Grill Fails to ignite, perform the following:

- 1.) Turn the Temperature dial to OFF. Open the Lid, remove all food, the Cooking Grates, Grease Tray, and Heat Diffuser.

- 2.) Remove all unburned Pellets and ash from the Fire Pot.

DO NOT touch the Fire Rod. This item gets extremely HOT and can cause burns.

- 3.) With the items removed from the Grill, turn the Temperature Dial to SMOKE.

Check the following items:

- A.) Visually confirm the Fire Rod is getting HOT and turning Red.

DO NOT touch the Fire Rod. This item gets extremely HOT and can cause burns.

- B.) Visually confirm Pellets are dropping into the Fire Pot from the Auger.

- 4.) If the Fire Rod is not getting HOT and/or the Pellets are not dropping from the Auger, see the Troubleshooting section or contact Customer Service.

Using your Pellet Grill

- 1.) The Temperature Dial can be changed at any time to increase or decrease the cooking temperature of the Grill. It's much easier to increase the temperature of the Grill, than to decrease. Once the Grill's body temperature is hot, it's much harder to maintain a lower temperature. Allow time for the body of the Grill to cool.
- 2.) The SMOKE setting is for Smoking and adding Smoke Flavor to foods being cooked. The SMOKE setting can also be used to maintain food temperatures at approximately 180°- 200° F.
- 3.) The Char-Griller Pellet Grill is designed to operate with the Lid closed. Cooking with the Lid in the open position will greatly increase your cooking time.
- 4.) When Estimating Cooking Times, the outdoor temperature will be an important factor. If it's cold, wet or windy, cooking times will take longer. If it's hot outside, cooking times will be shorter.
- 5.) Never add Pellets to the Fire Pot by Hand. This is **DANGEROUS** and can cause serious injury. If the Fire Pot runs out of Pellets, turn the Temperature Dial to the OFF Position. Then complete the **Initial Firing Instructions**.
- 6.) Never move the Grill when it's HOT. If you're transporting your Grill in a vehicle after cooking on it, make sure the fire is out and the Grill is COLD before placing in a vehicle.
- 7.) Never put water in the Fire Pot. This will cause the Auger to jam.
- 8.) Make sure the Heat Diffuser is seated in the correct position. If Heat Diffuser is not seated properly over Fire Pot, direct flame can cause grease on the Grease Tray to catch fire.
- 9.) Grease Fires are caused from not regularly cleaning the Grill. The Grease Tray, Grease Drain that the Grease Tray rests in, Grease Drain Tube, and Grease Bucket should be cleaned on a regular basis to minimize grease build-up. **In the event of a Grease Fire, turn the Temperature Dial to the OFF position, and keep the Lid closed until the fire is completely out.** Never keep the Lid open during a Grease Fire. If the Fire does not go out, carefully sprinkle Baking Soda on the fire. Be careful not to burn yourself. Then close the lid again. Once the Grease Fire has gone completely out and the grill is cool, clean all grease accumulation from Grease Tray, Grease Drain, Grease Drain Tube, and Grease Bucket. Replace foil covering the Grease Tray.

NOTE: When operating Grill, maintain a minimum clearance of 10 inches from Grill to combustibles.

GRILL MAINTENANCE

1.) The Pellet Grill should be frequently checked for Grease Build-up. The following locations are where grease build-up occurs.

- Change the aluminum foil on the Grease Tray regularly.
- Periodically, clean the grease out of the Grease Drain and Grease Drain Tube, and off all interior surfaces of the grill body.
- Occasionally, empty the Grease Bucket. Lining this item with aluminum foil also makes clean-up easier.

Not cleaning these areas often can result in grease buildup and can lead to Grease Fires. Make sure these areas are cleaned regularly.

Helpful Hint: Cleaning Grease from the Grill is easiest when the Grill is warm, but not HOT. Be careful to not burn yourself.

- 2.) Outside surfaces should be cleaned using warm, soapy water. DO NOT use abrasive cleaners or chemicals as this can damage the paint finish.
- 3.) Depending on use, clean the ash build-up in and around the Fire Pot. Be sure Grill, Fire Rod, and ash is cool before performing this procedure.

Helpful Hint: A shop-vac can be helpful in this procedure.

- 4.) If the Grill is stored outside, proper precautions should be taken to ensure water does not get into the Pellet Hopper. Wood Pellets absorb moisture and swell considerably. Swelled Wood Pellets can jam the Auger and/or cause damage. Remove any Swollen Wood Pellets from Pellet Hopper before using.

Helpful Hint: Purchase a Char-Griller Custom Fit Cover, Model #9155, to protect your Grill from the weather elements.

- 5.) It's easiest to clean food debris from the grates right after cooking. **Be careful to not burn yourself.** Using a long handled grill brush, lightly scrub the grates removing any food debris.



GRILL COVER #9155
Custom Fit
Weather Resistant

DIGITAL GRILL CONTROL

The Digital Grill Control regulates the desired temperature selection. The following information will provide you the insight to properly using your controller.

Overview

LCD Screen	Displays Grill temperature, smoke settings, idle fuel feed settings, igniter status, low temperature status, and error messages.
Temperature Dial	Select Off, Smoke, or one of nine Temperatures the Grill will cook at.
Smoke Control Dial	Select one of eight smoke modes/idle fuel feed rates.
Cook Mode	The temperature of the grill is continuously monitored and the controller operates the draft fan and auger to maintain a constant Grill temperature. See COOK MODE section of manual for more information.
Smoke Mode	In Smoke Mode, the Grill operates at a Low Temperature to provide maximum smoke. The Smoke Dial has several “P” Settings to allow more or less smoke. See SMOKE section of manual for more information.

Understanding LCD Screen Readouts

888	When the Grill is connected to AC power, ‘888’ is displayed momentarily.
Temperature	In Smoke and Cook modes, the grill temperature is displayed in 5 degree (°F) increments.
Flashing Temperature	In Smoke Mode, the displayed temperature flashes if the grill temperature is below 110°F. In Cook Mode, the displayed temperature flashes if the grill temperature is below 150°F.
Flashing Dots	The igniter is on.
‘P’ Settings P0-P7	When the Temperature Dial is in the Smoke position, the Smoke Control Dial is adjusted, the smoke setting will be displayed for 3 seconds. When the Temperature Dial is in the Cook Mode, the idle fuel feed rate setting is displayed for 3 seconds.
Flashing ‘ErH’	The grill temperature has exceeded 570°F. The Auger, Igniter, and Draft Fan have turned off. Turn Temperature Dial to OFF, Open Lid, wait 1-2 minutes, then select desired setting.
Flashing ‘ErP’	The Temperature Dial was not in the Off position when the grill was connected to AC Power. Turn Temperature Dial to OFF, wait 2 seconds, then select desired setting.

DIGITAL GRILL CONTROL

Connecting Grill to AC Power

- 1.) The Temperature Dial must be in the OFF.
- 2.) Plug the power cord into an appropriate, grounded electrical outlet.
- 3.) If 'ErP' is displayed, the Temperature Dial was not set to OFF. This causes an inadvertent start error, which halts the ignition sequence. To clear the error, turn the Temperature Dial to OFF, wait 2 seconds, then set the desired cooking temperature.
This feature keeps unintentional starts from occurring. For instance, if the Grill was in the garage and plugged in unintentionally, the Grill would not ignite.
- 4.) If there are flashing dots on the LCD screen, the ignition is on. The ignition sequence was successful.

Note: Do not use Grill in wet or rainy conditions.

Ignition Sequence

- 1.) Set the Temperature Dial to SMOKE or any desired temperature.
- 2.) The ignition sequence is as follows:
 - A.) The draft fan turns on.
 - B.) The igniter turns on.
 - C.) The fuel feed auger turns on and delivers fuel continuously for 4 minutes.
 - D.) The igniter turns off after 5 minutes .
- 3.) Once the igniter has turned off, the Grill operates in its selected Mode. The flashing dots will turn off.

SMOKE / COOK MODES

When the Temperature Dial is set to SMOKE, the grill maintains a low temperature and outputs the desired amount of smoke to increase the flavor of the foods.

Smoking

- 1.) Set the Temperature Dial to SMOKE. The LCD screen will display the current Grill Temperature.
- 2.) Use the Smoke Control Dial to set the Smoke Setting, P0-P7. The Smoke Setting will display current Grill Temperature. See 'Understanding Smoke Mode / Idle Fuel Feed Rate' for more information on Smoke Settings.
- 3.) Once the igniter turns off, the auger delivers fuel at a constant rate determined by the Smoke Setting.
- 4.) If the Grill temperature is flashing, this is indicating the temperature is less than 110°F. This is to alert the operator that there is some risk of the fire going out. This is not an error condition and does not affect the operation of the grill.
- 5.) If the Grill temperature is greater than 570°F, a flashing 'ErH' is displayed indicating a high limit error and the grill will shut down.

Cooking

- 1.) Set the Temperature Dial to desired temperature. The LCD screen will display the current Grill temperature.
- 2.) Once the igniter turns off, the auger runs continuously until the set temperature is reached, then runs at the idle fuel feed rate. If the measured grill temperature is below the set temperature, the auger runs continuously. If the measured grill temperature is at or above the set temperature, the auger runs at the idle fuel feed rate.
- 3.) If the Grill temperature is flashing, this is indicating the temperature is less than 150°F. This is to alert the operator that there is some risk of the fire going out. This is not an error condition and does not affect the operation of the grill.
- 4.) If the Grill temperature is greater than 570°F, a flashing 'ErH' is displayed indicating a high limit error and the grill will shut down.

High Temperature Setting - If the Temperature dial is set to HIGH, the grill operates at 450°F. If the grill is unable to reach 450°F due to ambient temperature and humidity, fuel type and quality, and/or thermal characteristics of the grill, the auger will feed fuel continuously allow the grill to operate at its Maximum Temperature.

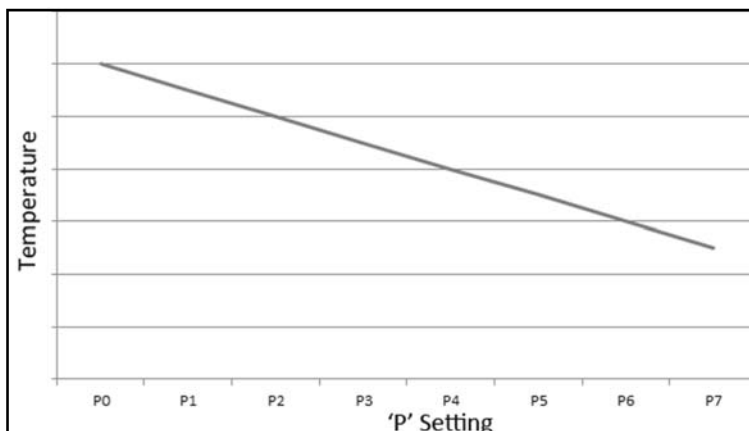
Idle Fuel Feed Rate - The idle fuel feed rate is the rate the auger delivers fuel while the grill is idling at the set temperature. In Cook Mode, you can manually adjust the idle fuel feed rate using the Smoke Control Dial. See 'Understanding Smoke Mode / Idle Fuel Feed Rate' for more information.

UNDERSTANDING SMOKE MODE / IDLE FUEL FEED RATE

Smoke Mode and Idle Fuel Feed Rate are both controlled by the Smoke Control Dial.

During Smoke Mode and the Idle Stage of Cook Mode, the Auger turns on, delivers fuel for 18 seconds, then turns off. The off time is set by the Smoke Control Dial, which displays a 'P' setting. When the Smoke Control Dial is adjusted, the corresponding 'P' setting is displayed on the LCD screen momentarily. There are eight 'P' Settings, ranging from P0 to P7.

'P' Setting	Auger On	Auger Off
P0	18 seconds	55 seconds
P1	18	70
P2	18	85
P3	18	100
P4	18	115
P5	18	130
P6	18	140
P7	18	150



Increasing the 'P' value decreases the fuel feed rate, resulting in lowering the Grill temperature. Adjust the 'P' setting for the desired temperature and/or smoke output. **For trouble free cooking, P2 is the recommended setting.**

Decreasing the 'P' value increases the fuel feed rate, resulting in a higher Grill temperature.

The Larger the 'P' value, the lower the temperature and resulting, the more smoke.

Depending on ambient temperature, humidity, and wind speed, a smaller 'P' setting would be desired. In cool, wet, or windy conditions, too high of a 'P' value can cause too low of a Grill temperature and result in the fire going out.

The P setting also controls the Cook Mode's idle fuel feed rate. For example, in Smoke Mode, setting 'P4' delivers fuel for 18 seconds, then turns off for 115 seconds and repeats in Smoke Mode. In Cook Mode, setting 'P4' also delivers fuel for 18 seconds, then turns off for 115 seconds and then repeats.

Cook Mode Idle Fuel Feed Rate

The idle fuel feed rate is the rate of the fuel delivery that maintains the fire in the fire pot without raising the grills temperature.

In Cook Mode, when the temperature of the grill is at or above the set temperature, the auger runs at the idle fuel feed rate. If the grill temperature is below the set temperature, the auger runs continuously.

Smoke Mode Fuel Feed Rate

In Smoke Mode, increasing the P setting, decreases the fuel feed rate, thus lowering the grill temperature. Manually adjust the P setting to achieve the desired temperature and smoke output.

TROUBLESHOOTING

Control Panel Error Modes and Messages

- Flashing Temperature** In Smoke Mode, the displayed temperature flashes if the grill temperature is below 110°F .
In Cook Mode, the displayed temperature flashes if the grill temperature is below 150°F.
This is not an error condition and does not affect the operation of the grill. The flashing display is designed to alert the operator that there is some risk that the fire could go out.
- Flashing Dots** The igniter is on.
This is not an error condition and does not affect the operation of the grill. The flashing dots are designed to alert the user that the grill's igniter is on.
- Flashing 'ErH'** The grill temperature has exceeded 570°F. The Auger, Igniter, and Draft Fan have turned off. To clear the error, turn Temperature Dial to OFF, Open Lid, wait 1-2 minutes, then select desired setting. If this does not clear the error, the temperature detector is not functioning correctly. See Troubleshooting Section of this manual.
- Flashing 'ErP'** The Temperature Dial was not in the Off position when the grill was connected to AC Power. Turn Temperature Dial to OFF, wait 2 seconds, then select desired setting.
This feature prevents an inadvertent start. For example, if the grill was inside a garage, the grill would not ignite if plugged in by accident.

Grill Temperature when set at 180 Degrees is too high

The Auger's idle fuel feed rate is too high. Increase the Smoke Control P Setting to decrease the idle fuel feed rate. For example, if your P setting is set to P2, move the P setting to P4.

Unexpected Grill Temperature is Displayed

The Auger's idle fuel feed rate is too high or too low.

If the temperature is **higher than expected**, increase the P setting.

If the temperature is **lower than expected**, decrease the P setting.

TROUBLESHOOTING

LCD Screen Won't Light Up

Check the Following items:

- 1.) Verify there is power at the electrical outlet where the grill is plugged in.
- 2.) If Power Cord is connected to a GFI (Ground Fault Interrupter) outlet, check and reset if necessary.
- 3.) Make sure Temperature Dial is in the OFF setting.
- 4.) Turn Temperature Dial to Smoke.

If the LCD Screen still wont light up, contact Customer Service for additional troubleshooting help.

GFI Outlet Keeps Tripping

- 1.) Make sure you're not using over a 25' extension cord. (Grill should be kept at least 3' from any structure.) 12 Gauge wire is the minimum recommended gauge.

Grill Will Not Ignite

Check the Following items:

- 1.) Verify there is power at the electrical outlet where the grill is plugged in.
- 2.) If Power Cord is connected to a GFI (Ground Fault Interrupter) outlet, check and reset if necessary.
- 3.) Turn the Temperature Dial to OFF.
- 4.) Turn the Temperature Dial to SMOKE.
 - A.) If the LCD Screen lights up, then perform the additional steps.
 - B.) If the LCD screen does not light up, there's no power at the grill. Go back to step 1.
- 5.) Turn the Temperature Dial to OFF. Open the Lid, remove all food, the Cooking Grates, Grease Tray, and Heat Diffuser.
- 6.) Remove all unburned Pellets and ash from the Fire Pot.

DO NOT touch the Fire Rod. This item gets extremely HOT and can cause burns.
- 7.) With the items removed from the Grill, turn the Temperature Dial to SMOKE.
 - A.) Visually confirm the Fire Rod is getting HOT and turning Red.

DO NOT touch the Fire Rod. This item gets extremely HOT and can cause burns.
 - B.) Visually confirm Pellets are dropping into the Fire Pot from the Auger.

If the Fire Rod is not getting Red HOT:

- A.) The Fire Rod could have failed. Contact Char-Griller Customer Service. See Manual Lighting Instructions for lighting sequence if the Fire Rod has failed.
- B.) The Control Board could have failed. Contact Char-Griller Customer Service.

Continued on next page.

TROUBLESHOOTING

Continued.

If Pellets are not dropping from the Auger:

- 1.) Turn the Temperature Dial to the Off position and unplug unit from wall.
- 2.) Check auger for objects, obstructions, or swollen pellets.

If there are no obstructions:

- A.) The auger motor could have failed. Contact Char-Griller Customer Service.
- B.) The Control Board could have failed. Contact Char-Griller Customer Service.

Grill's Fire goes out on 'SMOKE' Setting

Excess Ash in the Fire Pot may be the problem.

- 1.) Ensure the Grill is cool, then open the Lid, remove the Cooking Grates, Grease Tray, and Heat Diffuser.
- 2.) Remove all ash and unburned Pellets in and around the Fire Pot.

Make sure Grill is COOL to avoid a FIRE from HOT ash.

- 3.) Replace Heat Diffuser, Grease Tray, and Cooking Grates.
- 4.) Initiate startup.

If problem is not resolved, contact Char-Griller Customer Service for additional Troubleshooting.

Pellets are not being delivered to Fire Pot

Check the Following items:

- 1.) Verify there is Pellets in the Pellet Hopper.

If this is the Initial Fire Sequence or the Grill has run out of Pellets, allow time for the Pellets to charge the Auger. (Can take up to 7 minutes.)

- 2.) Initiate startup. **See Initial Firing Instructions** in the Owner's Manual.
- 3.) If the Auger Drive Motor is not operating, but the Draft Induction Fan is, the problem is in the Auger system.

To check this, perform the following:

- A.) With the Temperature Dial Off, locate the small Fan Blade on the back of the Auger Drive Motor.
- B.) While watching the fan blade, with hands clear and free from all moving parts, turn the Temperature Dial to SMOKE. If the Fan Blade does not move, this confirms a defective Auger Drive Motor and will need replaced. Contact Char-Griller's Customer Service to place an order.
- C.) If the Fan Blade turns a little, then stops, continue watching and turn the Temperature Dial to OFF. If the Fan Blade rotates in the opposite direction slightly, this confirms a jam in the Auger system will need to be cleared.

Disconnect Power Cord from electrical outlet and remove Pellets from the Pellet Hopper. Check for foreign objects and wet/swollen Pellets, both of which can cause Auger jams.

Protecting Paint Finish

When not in use, protect the Grill's finish with a Grill Cover. Char-Griller offers a custom-fit Grill Cover, model #9155.

Use touch up paint for any surfaces where the paint has been scratched or chipped. This will minimize rust.

TROUBLESHOOTING

Manual Lighting Instructions

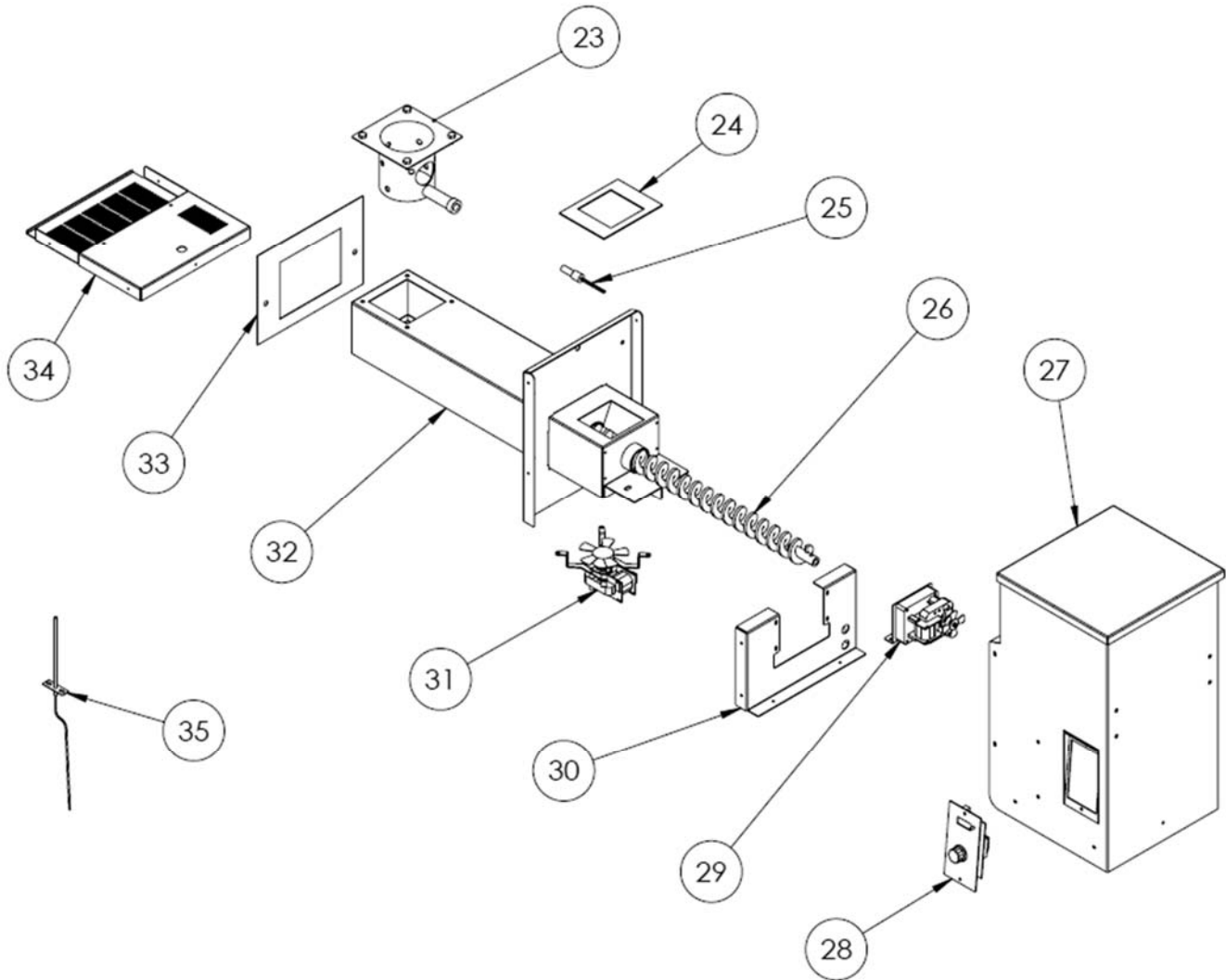
If the Fire Rod is not operating, the Grill can still be used to cook and smoke using the Manual Lighting Procedure as outlined below.

- 1.) Make sure the Temperature Dial is turned to the OFF position and the Fire Rod's wire is disconnected from the Digital Control. (Purple/White color wire) See page Digital Control Wiring Diagram section of this manual for a wiring diagram.
- 2.) Open the Pellet Hopper and fill with Pellets.
- 3.) Remove the Cooking Grates, Grease Tray, and Heat Diffuser to expose the Fire pot.
- 4.) Pour approximately 1/2 cup of Wood Pellets directly into the Fire pot.
- 5.) Squirt 2 tablespoons of Alcohol Gel Fire lighter into the Fire pot on top of the Pellets.

WARNING: Never squirt Alcohol Gel into a burning fire or a hot Fire pot. The Alcohol Gel bottle could explode and cause serious injury.

- 6.) Light the Alcohol Gel with a fireplace match or a long-reach butane lighter.
- 7.) Let the Alcohol Gel and Pellets burn for 4-5 minutes.
- 8.) After the Pellets have been ignited, install the Heat Diffuser, Grease Tray, and Cooking Grates.
- 9.) Turn the Temperature Dial to the desired setting. Once the pellets have ignited and white/gray smoke is coming from the grill, close the lid, and allow the grill to Pre-heat for about 10 minutes before placing food on the grill.

PELLET DELIVERY SYSTEM BREAKDOWN



Item	Description	QTY
23	Fire Pot	1
24	Hopper/Auger Box Sealer	1
25	Fire Rod	1
26	Auger	1
27	Hopper Box Welded Assy	1
28	Controller	1
29	Auger Motor with Support Bracket	1
30	Auger Driver Support Bracket	1
31	Air Circulator Fans	1
32	Auger Box Welded Assy	1
33	Pellet Box/Grill Body Sealer	1
34	Bottom Support Plate	1
35	Heat Sensor	1



ACCESSORIES

TO ENHANCE YOUR GRILLING EXPERIENCE

For Pricing or to Order, Visit:

www.CharGriller.com

or

CALL: 912-638-4724

or

FAX: 912-638-2580

or MAIL:

P.O. Box 30864

Sea Island, GA 31561

Visit our online store at:

www.CharGriller.com

for more Char-Griller®

Professional Accessories™



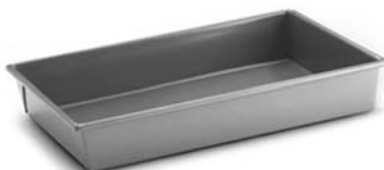
GOURMET BBQ WOOD PELLET FUEL #9620
Use our specially blended wood pellet fuel to add delicious flavor to your foods!



GRILL COVER #9155
Custom Fit
Weather Resistant

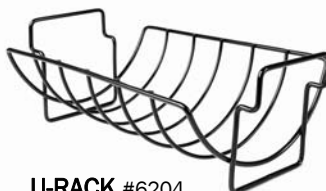


REMOTE THERMOMETER # 6206
Monitor temperatures of both meat and smoking chamber up to 572 °F. Check the meat and smoking chamber temperatures from inside the house - up to 300 feet away.



DRIP PAN #6205
Catch drippings & holds liquid flavors
For extra taste

APRON #8805
2 Pockets
Adjustable



U-RACK #6204
Upright for roast & butts
Upside down for ribs



POULTRY ROASTER
TURKEY # 6207
CHICKEN #6208*



WOK KOOKER # 6203
Ideal for veggies

MANUEL D'UTILISATION



WOOD FIRE PRO GRILL À GRANULÉS DE BOIS™ Modèle n° 9020



Gardez votre reçu avec ce manuel pour votre Garantie.

**SERVICE À LA CLIENTÈLE
1-912-638-4724
Service@CharGriller.com**

Les contenus de ce manuel sont des marques déposées et protégés par droits d'auteurs par Char-Griller|A&J Manufacturing. Utiliser l'information contenue dans ce manuel sans le consentement de Char-Griller et/ou OM 8100 A1, A&J Manufacturing est strictement prohibée.

PRÉCAUTIONS D'UTILISATION IMPORTANTES

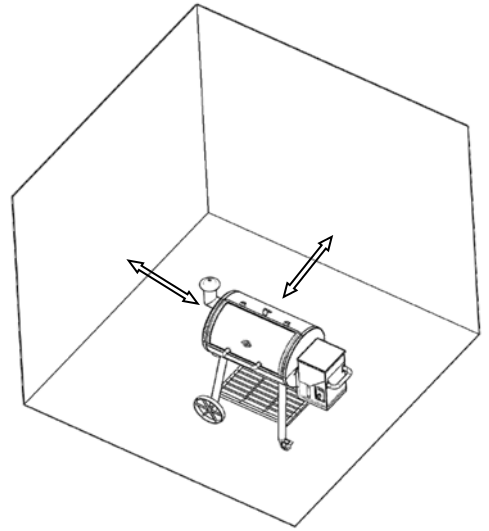
LISEZ L'ENSEMBLE DES AVERTISSEMENTS ET CONSIGNES DE SÉCURITÉ AVANT DE PROCÉDER AU MONTAGE ET À L'UTILISATION DE VOTRE GRIL

- Faites preuve de prudence lors de l'assemblage et de l'utilisation de votre gril afin d'éviter toute éraflure ou coupure due aux bords tranchants.
- N'utilisez pas d'essence, de kérosène ou d'alcool pour enflammer les granulés de bois. L'utilisation de ces produits ou de produits similaires risquerait de provoquer une explosion pouvant entraîner des blessures graves.
- Ne pas utiliser l'essence à briquet ou tout autre liquide inflammable sur les granulés de bois déjà allumés.
- Lors de l'ajout de granulés de bois, faites preuve d'une extrême prudence.
- Ne déplacez jamais le gril lorsqu'il est en cours d'utilisation ou s'il contient des granulés de bois chauds ou des cendres, veillez toujours à conserver le gril dans une position stable lors de son utilisation.
- Veillez à ne pas placer le gril à proximité de liquides ou de gaz inflammables ou dans un endroit où la présence de vapeurs inflammables est possible.
- Lors de l'ouverture du gril, ouvrez d'abord légèrement afin de laisser y pénétrer une petite quantité d'air pendant quelques secondes. Cela permet d'éviter que de grandes quantités d'oxygène n'asphyxient les granulés de bois, ceci pouvant provoquer de dangereux retours de flamme.
- Faites preuve de prudence lorsque de l'air frais entre soudainement en contact avec le feu, cela peut entraîner une vive intensification des flammes. Lors de l'ouverture du couvercle, garder les mains, le visage et le corps à l'abri des vapeurs chaudes et de l'intensification des flammes.
- Procéder au retrait des excès de graisse avant la cuisson permet de prévenir l'apparition de flammes.
- Gardez votre gril propre afin de prévenir l'apparition de flammes.
- Assurez-vous de toujours placer les granulés de bois dans le distributeur et pas directement dans le feu du gril.
- Ne dépassez pas la température de ° F. Ne laissez pas les granulés de bois s'appuyer sur les parois du gril. Le non-respect de ces indications risquerait de réduire considérablement la durée de vie du gril.
- Évitez de toucher les surfaces chaudes.
- Lors de l'ouverture du couvercle, assurez-vous qu'il le soit complètement de façon à ce qu'il repose contre le support du couvercle. Faites preuve d'une extrême prudence car le couvercle pourrait retomber en position fermée et causer des blessures corporelles.
- Fermez le couvercle afin de favoriser l'asphyxie des flammes.
- Veillez toujours à maintenir le couvercle ouvert à l'aide de la poignée afin d'éviter qu'il ne se referme de façon inattendue.
- Faites preuve de prudence afin de vous protéger et de protéger vos biens. Placez délicatement les restes de granulés de bois et les cendres de bois dans un récipient en métal incombustible.
- Pour vous protéger contre les bactéries susceptibles de causer des maladies, conservez vos viandes dans un milieu réfrigéré et décongelez-les dans le réfrigérateur ou dans un four à micro-ondes; conservez la viande crue à l'écart des autres aliments; lavez tout ce qui a été en contact avec la viande crue; cuisez bien la viande; et réfrigérez les restes immédiatement. Cuisez les viandes afin d'obtenir une cuisson « à point » ou « bien cuit ».
- N'utilisez pas le gril dans des conditions humides ou pluvieuses.
- Contactez le service des incendies à propos des restrictions et des exigences d'inspection d'installation dans votre région.
- Le non-respect de ces instructions peut entraîner des dommages matériels, des blessures ou même la mort.
- CONSERVEZ LES PRÉSENTES INSTRUCTIONS POUR TOUTE RÉFÉRENCE ULTÉRIEURE.

AVERTISSEMENT

Pour garantir l'utilisation de votre gril en toute sécurité et pour éviter les blessures graves.

- Gardez les enfants et les animaux de compagnie à distance du gril. Une supervision permanente est nécessaire, ne laissez pas le gril sans surveillance lorsqu'il est utilisé.
- Maintenez la zone du gril propre et exempte de toute matière inflammable.
- Lorsque vous déplacez le gril, faites attention de ne pas provoquer des déformations.
- Utilisez le gril uniquement dans un espace bien ventilé. N'UTILISEZ JAMAIS le gril dans un espace clos tel qu'un abri, un garage, une véranda, un patio couvert ou toute structure couverte quelconque.
- Gardez le gril à une distance d'au moins 10 pieds de tout matériau combustible (terrasses, bâtiments, clôtures, arbres, arbustes, etc.).
- Toujours placer votre gril sur une surface dure et non combustibles, où la surface de protection a été approuvée pour une telle utilisation par l'autorité compétente.



Suivez ces indications afin d'éviter que ce gaz incolore et inodore ne vous empoisonne, vous, votre famille ou autrui.

- Prenez connaissance des symptômes d'une intoxication au monoxyde de carbone : maux de tête, étourdissements, faiblesse, nausées, vomissements, somnolence et confusion. Le monoxyde de carbone réduit la capacité du sang à transporter l'oxygène. Le faible taux d'oxygène dans le sang peut entraîner une perte de conscience et la mort.
- Consultez un médecin si vous (ou autrui) développez des symptômes similaires à celui d'un rhume ou de la grippe pendant la cuisson ou à proximité de cet équipement. L'intoxication au monoxyde de carbone peut être facilement confondue avec un rhume ou une grippe, elle est souvent détectée trop tard.
- La consommation d'alcool et de drogues augmente les effets de l'intoxication au monoxyde de carbone. Le monoxyde de carbone est particulièrement toxique auprès des femmes enceintes (et de leur enfant), des nourrissons, des personnes âgées, des fumeurs et des personnes souffrant de difficultés cardiaques ou de problèmes du système circulatoire, tels que l'anémie ou les maladies cardiaques.
- Créosote - Instruction et précautions à prendre lors de retrait de la créosote. Afin d'expliquer comment la créosote se forme, il faut comprendre que lorsque les granules de bois brûlent lentement, elles produisent du goudron et d'autres vapeurs organiques qui se joignent à l'humidité évacuée lors de la combustion des granules pour former la créosote. Les vapeurs de créosote se condensent alors à l'intérieur du four relativement frais et subseqeuement sont conduit vers l'extérieur par la hotte de ventilation du feu à combustion lente. En conséquence, les résidus de créosote s'accumule sur les parois du conduit de la cheminée ainsi qu'à l'intérieur du clapet d'évacuation. la créosote produit un feu extrêmement chaud lorsqu'enflamme,
- Le conduit de graisse devrait être inspecté au moins deux fois par an afin de déterminer le moment où la graisse et / ou l'accumulation de créosote s'est produite.
- Lors d'une accumulation de graisse ou de créosote, il est strictement recommandé de procéder au retrait immédiat de celle-ci afin de réduire tout risque d'incendie.
- Élimination des cendres - Les cendres devraient être placées dans un contenant métallique possédant un couvercle hermétique. Le contenant métallique fermé contenant les cendres devrait être placé sur un plancher incombustible ou sur le sol, loin de tous matériaux combustibles, jusqu'à ce que vous procédiez à son élimination finale. Lorsque vous disposez des cendres soit en les enterrant ou en les dispersant autrement, elles devraient toujours être gardées dans le contenant métallique fermé hermétiquement jusqu'à ce qu'elles soient totalement froides.
- Utilisez granulés de bois avec un maximum de 8.700 BTU/lb et 2% de Teneur en Cendres.
- Ne pas utiliser d'accessoires n'étant pas recommandés lors de l'utilisation avec cet appareil.

CE GRIL EST POUR USAGE EXTÉRIEUR SEULEMENT.

L'entreposage de votre barbecue :

- Débranchez le cordon d'alimentation de la prise.
- Nettoyer les grilles de cuisson.
- Stocker dans endroit sec et hors de portée des enfants.
- Couvrir le gril si entreposé à l'extérieur.

Fabriqué en Chine

LE NON-RESPECT DES DISTANCES DE DÉGAGEMENT REQUISES (ESPACES LIBRES) PAR RAPPORT AUX COMBUSTIBLES REPRÉSENTE UNE CAUSE MAJEURE D'INCENDIE. IL EST DE LA PLUS HAUTE IMPORTANCE QUE CE PRODUIT SOIT INSTALLÉ CONFORMÉMENT AUX INSTRUCTIONS.



**B.P. 30864
Sea Island, Géorgie
31561
912-638-4724
www.CharGriller.com**



Enregistrez votre gril sur www.CharGriller.com afin de garantir votre satisfaction et le suivi des services.

STOP! APPELEZ D'ABORD  NE RENVOYEZ PAS LE PRODUIT AU MAGASIN. .

Informations sur la garantie - Gril à granulés de bois

Char-Griller® réparera ou remplacera toute pièce défectueuse de ses grils / fumeurs pendant une période allant jusqu'à un an à compter de la date d'achat. Char-Griller® réparera ou remplacera également le corps de ses grils / fumeurs dans le cas où le métal serait rouillé ou brûlé pendant une période pouvant aller jusqu'à cinq ans.

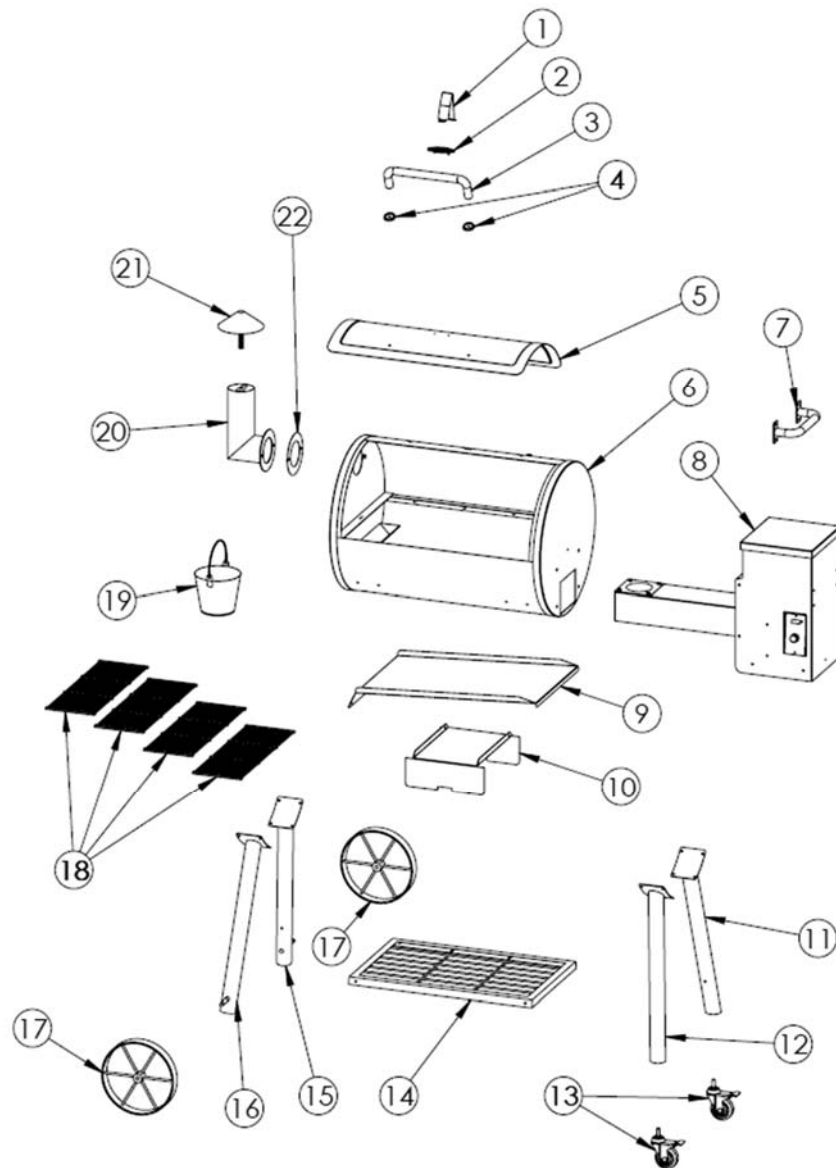
Une preuve d'achat, une preuve de la date d'achat, une photo et un retour prépayé de l'article en question peuvent être nécessaires. Tout(e) utilisation incorrecte, abus ou utilisation commerciale aura pour conséquence d'annuler toutes les garanties. La peinture / finition n'est pas garantie. Les produits ne sont pas garantis contre la rouille. La garantie s'applique uniquement à l'acheteur initial dont le nom apparaît sur la carte de crédit, le chèque ou le reçu.

La garantie est réservée au remplacement des pièces défectueuses. Le fabricant ne sera pas responsable des éventuels dommages résultant d'un accident, d'une modification, d'une utilisation incorrecte, d'un abus, d'une utilisation au sein d'environnements hostiles, d'une installation incorrecte ou d'une installation non conforme aux codes locaux d'entretien de l'équipement.

La présente garantie limitée ne couvre pas les éraflures, les bosses, la corrosion ou la décoloration causée(s) par la chaleur, les nettoyants chimiques abrasifs ou tout autre composant utilisé dans l'installation de l'équipement. .

Conservez soigneusement votre reçu pour toute réclamation de garantie ultérieure. Aucun retour n'est effectué sur les grils usagés.

PARTS LIST



Élément	Description	QTTÉ
1	Butée du couvercle	1
2	Plaque du logo	1
3	Poignée du couvercle	1
4	Cadran, poignée du couvercle	2
5	Couvercle	1
6	Assemblage soudé du foyer	1
7	Poignée, chariot	1
8	Système de distribution des granulés* : Voir page 25	1
9	Plateau à graisse	1
10	Diffuseur de chaleur	1
11	Pied arrière droit	1

Élément	Description	QTTÉ
12	Pied avant droit	1
13	Roulette pivotante de 3"	2
14	Plateau inférieur	1
15	Pied arrière gauche	1
16	Pied avant gauche	1
17	Roue en métal	2
18	Grille de cuisson	4
19	Seau à graisse	1
20	Base de la cheminée	1
21	Chapeau de la cheminée	1
22	Joint de la cheminée	1

*Consultez la vue détaillée du système de distribution des granulés dans la section du présent manuel consacrée au système de distribution des granulés. .

AVIS : Veuillez toujours à avoir un extincteur à portée de main. Entretenez et vérifiez le bon état de votre extincteur régulièrement.

AUCUN RETOUR N'EST EFFECTUÉ SUR LES GRILS USAGÉS

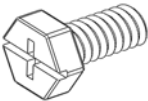



LISTE DU MATÉRIEL ET OUTILS NÉCESSAIRES

(outils non inclus)

Tournevis à douille de 7/16"



Ensemble matériel : 551006

Illustration	Description	QTÉ
	Boulon à tête hexagonale — 1/4"-20 x 1/2"	29
	Écrou hexagonal — 1/4"-20	2
	Rondelle plate — Dia. ext. 1,2", dia. int. 0,45"	2
	Écrou hexagonal — 7/16"-20	2

STOP! APPELEZ D'ABORD



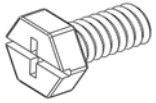
NE RENVOYEZ PAS LE PRODUIT AU MAGASIN.

APPELEZ LE (912) 638-4724. Ce produit a été fabriqué conformément aux normes de qualité les plus strictes. Appelez-nous si vous avez des questions non abordées dans les présentes instructions, ou si vous souhaitez obtenir le service de renseignements.

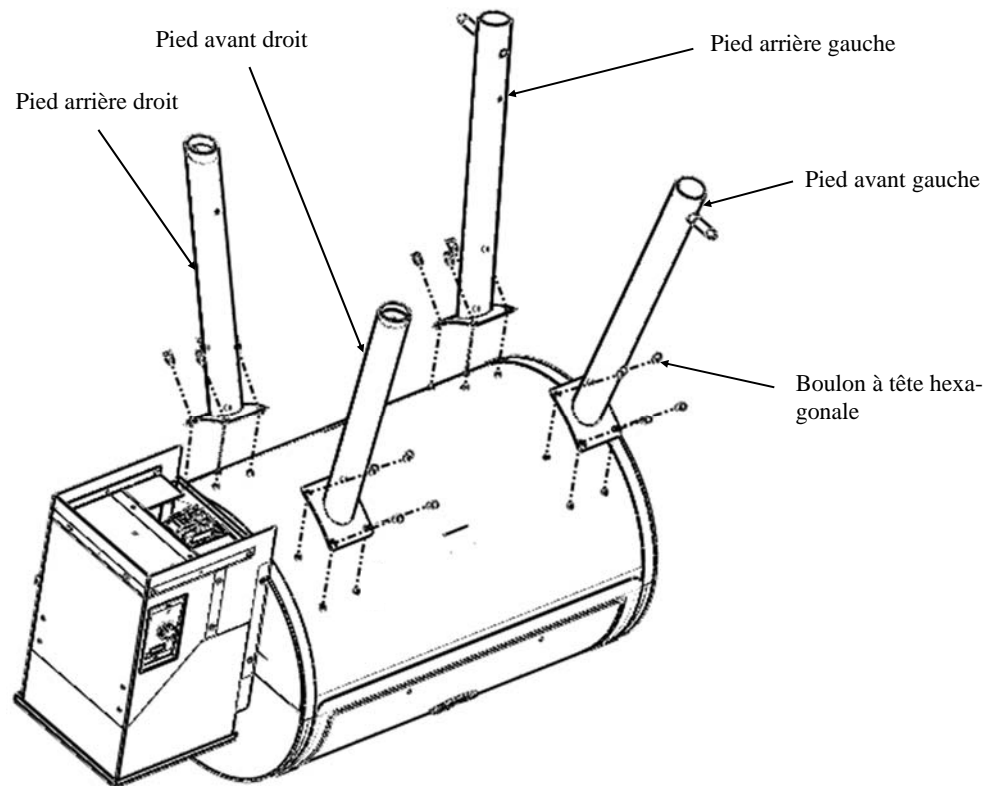
Ayez à disposition le numéro de série du gril (situé à l'arrière du gril ou sur le pied) lors de l'appel.

MONTAGE DU GRIL

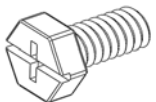
Étape 1 : Disposez le corps du grill au sol avec le bas du grill orienté vers le haut, placez-y les pieds tel qu'indiqué ci-dessous et fixez-les à l'aide de (4) boulons à tête hexagonale par pied



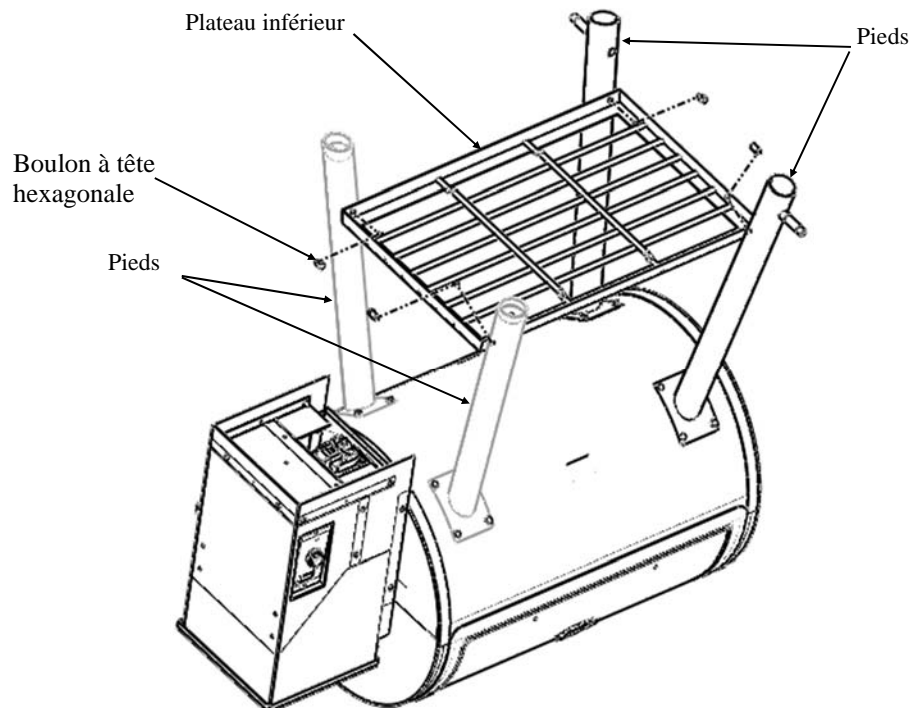
(16) Boulons à tête hexagonale --
1/4"-20 x 1/2"



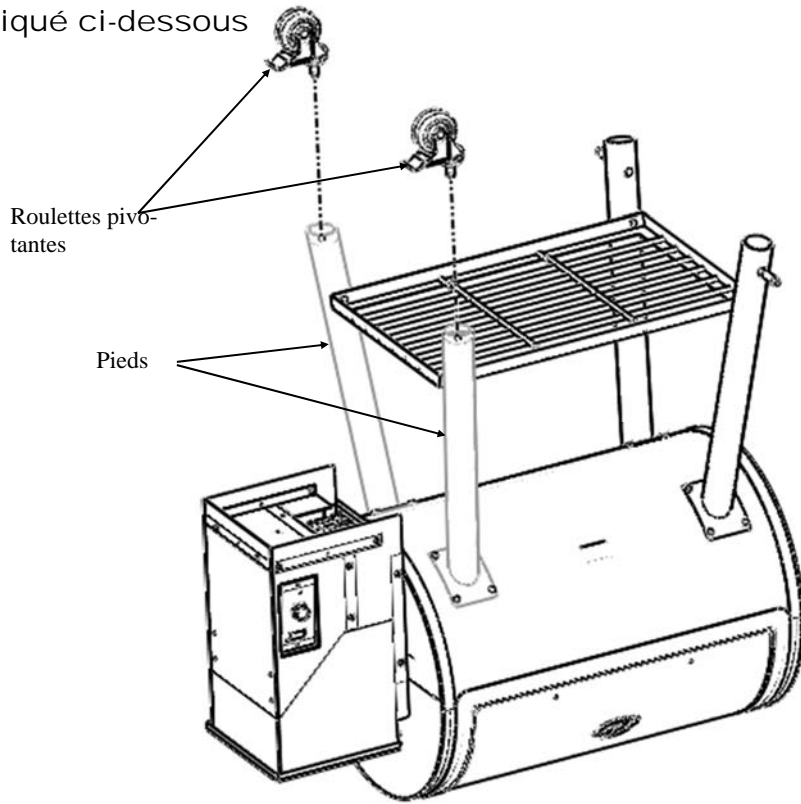
Étape 2 : Placez le plateau inférieur entre les (4) pieds en vous assurant que les trous situés sur le plateau inférieur et sur les jambes soient alignés puis serrez avec (4) boulons à tête hexagonale.



(4) Boulons à tête hexagonale
-- 1/4"-20 x 1/2"



Étape 3 : Fixez les roulettes pivotantes sur les encoches situées au bas des deux pieds tel qu'indiqué ci-dessous



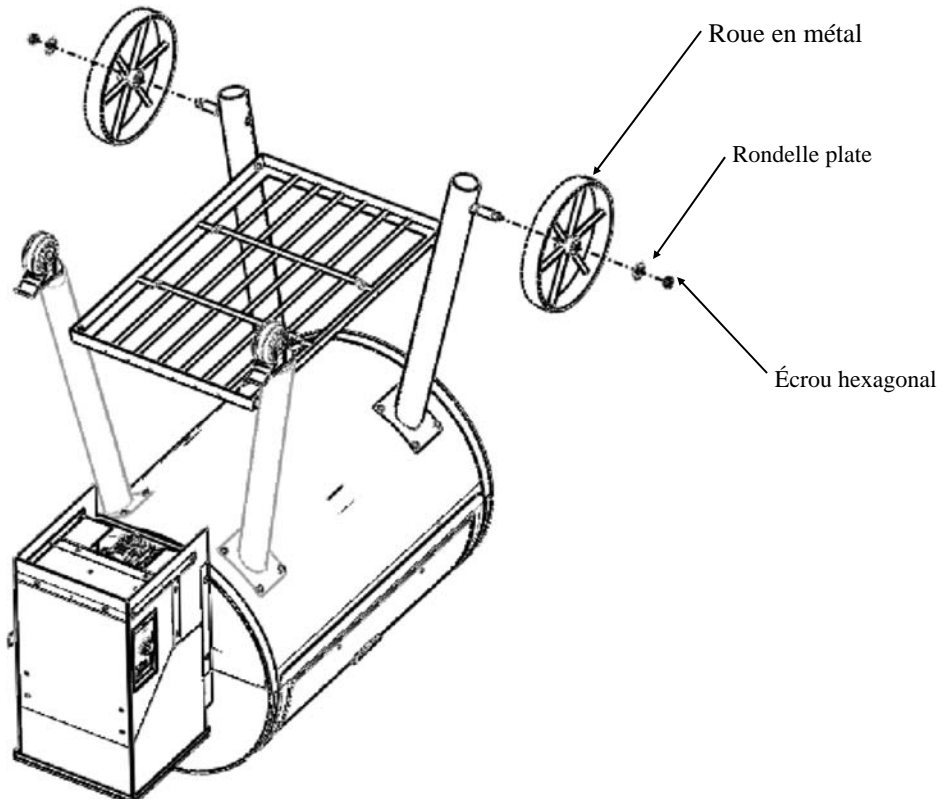
Étape 4 : Placez les roues en métal et les rondelles plates sur les axes situés sur les pieds et serrez-les à l'aide des écrous hexagonaux de 7/16"-20.



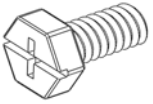
(2) Rondelles plates



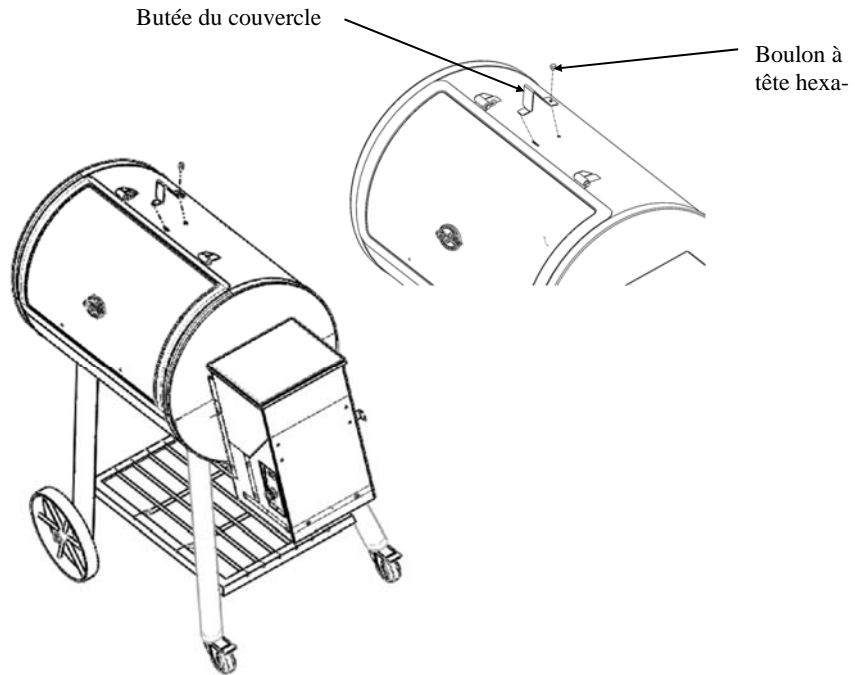
(2) Écrous hexagonaux de 7/16"-20



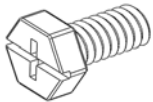
Étape 5 : Insérez le bord de la butée du couvercle dans la fente rectangulaire située sur le corps du grill et serrez à l'aide d'un boulon à tête hexagonale inséré dans le trou situé à l'autre extrémité de la butée du couvercle.



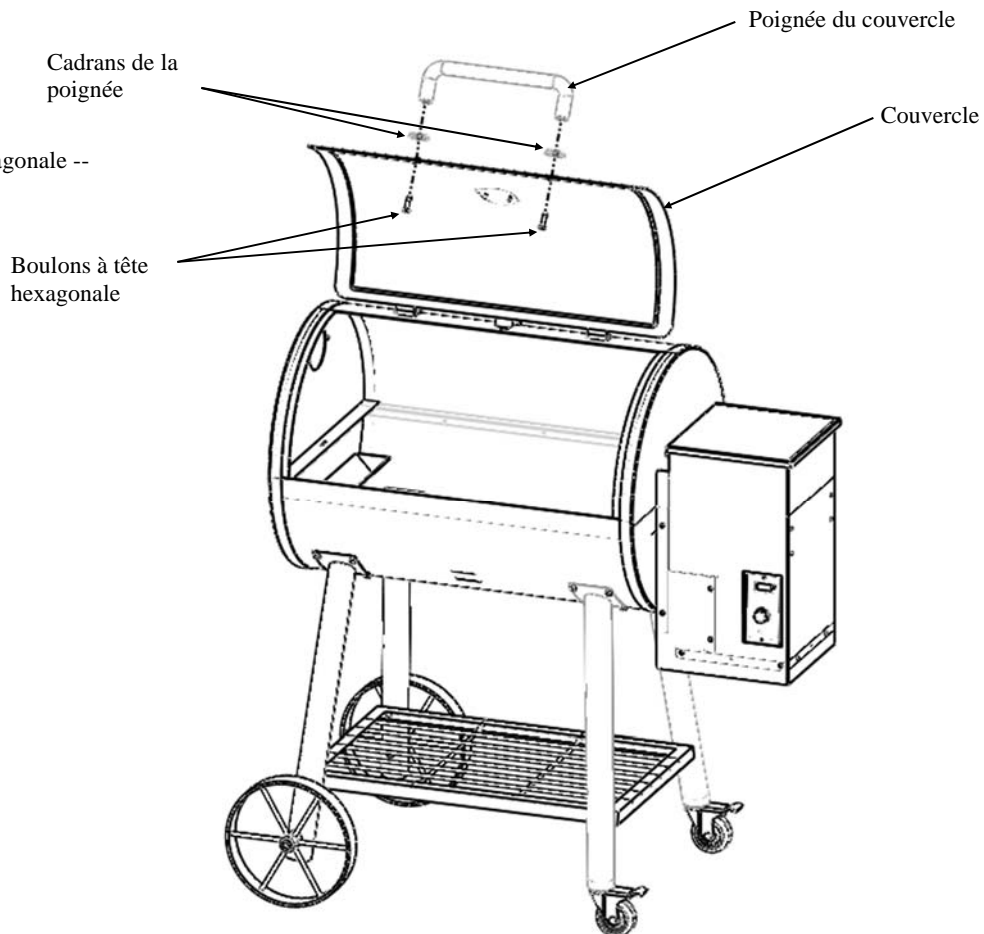
(1) Boulon à tête hexagonale --
1/4"-20 x 1/2"



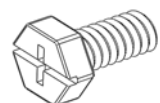
Étape 6 : Placez les cadrans de la poignée à chaque extrémité de la poignée et placez cette dernière sur le couvercle du grill, serrez ensuite avec (2) boulons à tête hexagonale, voir ci-dessous. .



(2) Boulons à tête hexagonale --
1/4"-20 x 1/2"



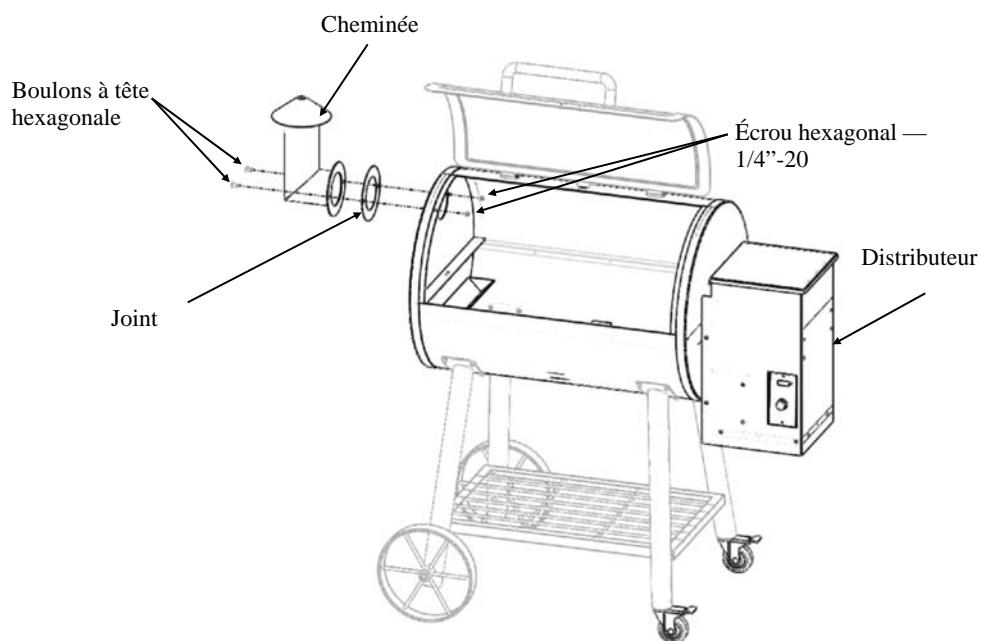
Étape 7 : Fixez la cheminée sur le côté du corps du grill, du côté opposé au distributeur .



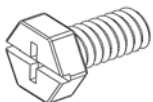
(2) Boulons à tête hexagonale --
1/4"-20 x 1/2"



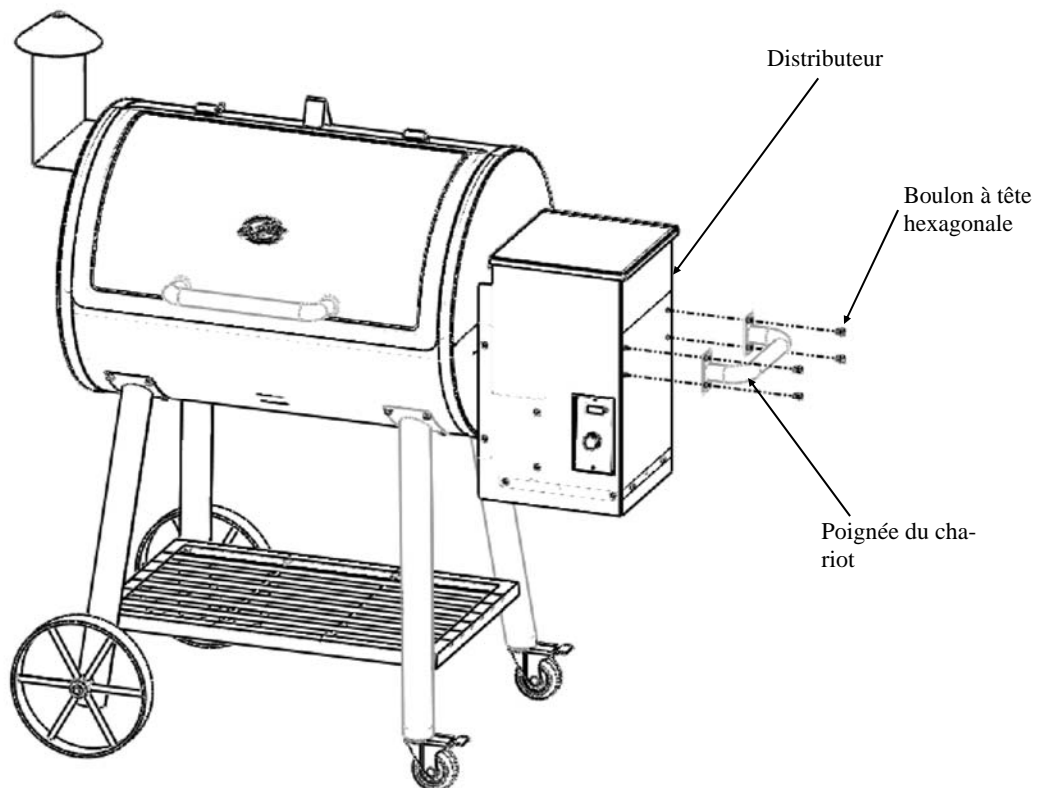
(2) Écrous hexagonaux —
1/4"-20



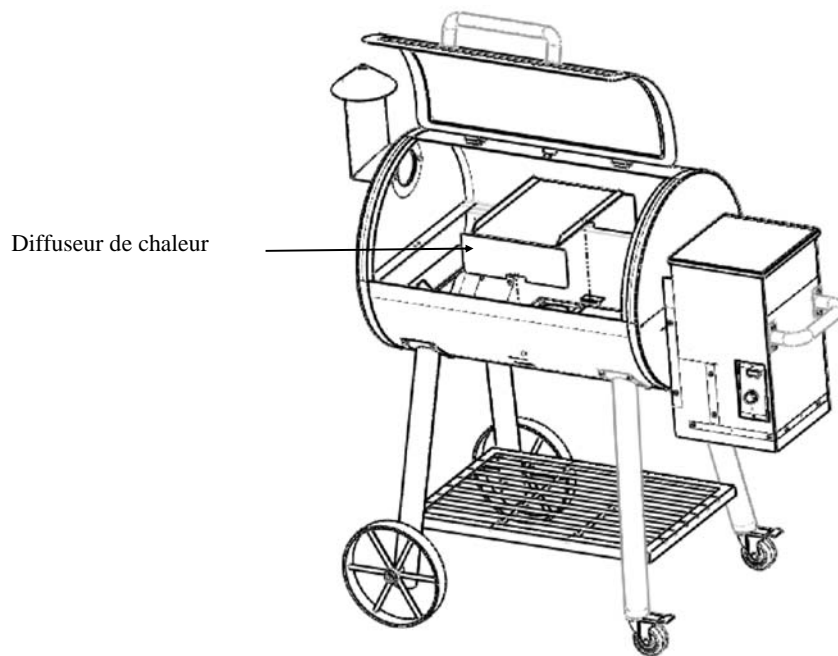
Étape 8 : Fixez la poignée du chariot sur le côté du distributeur .



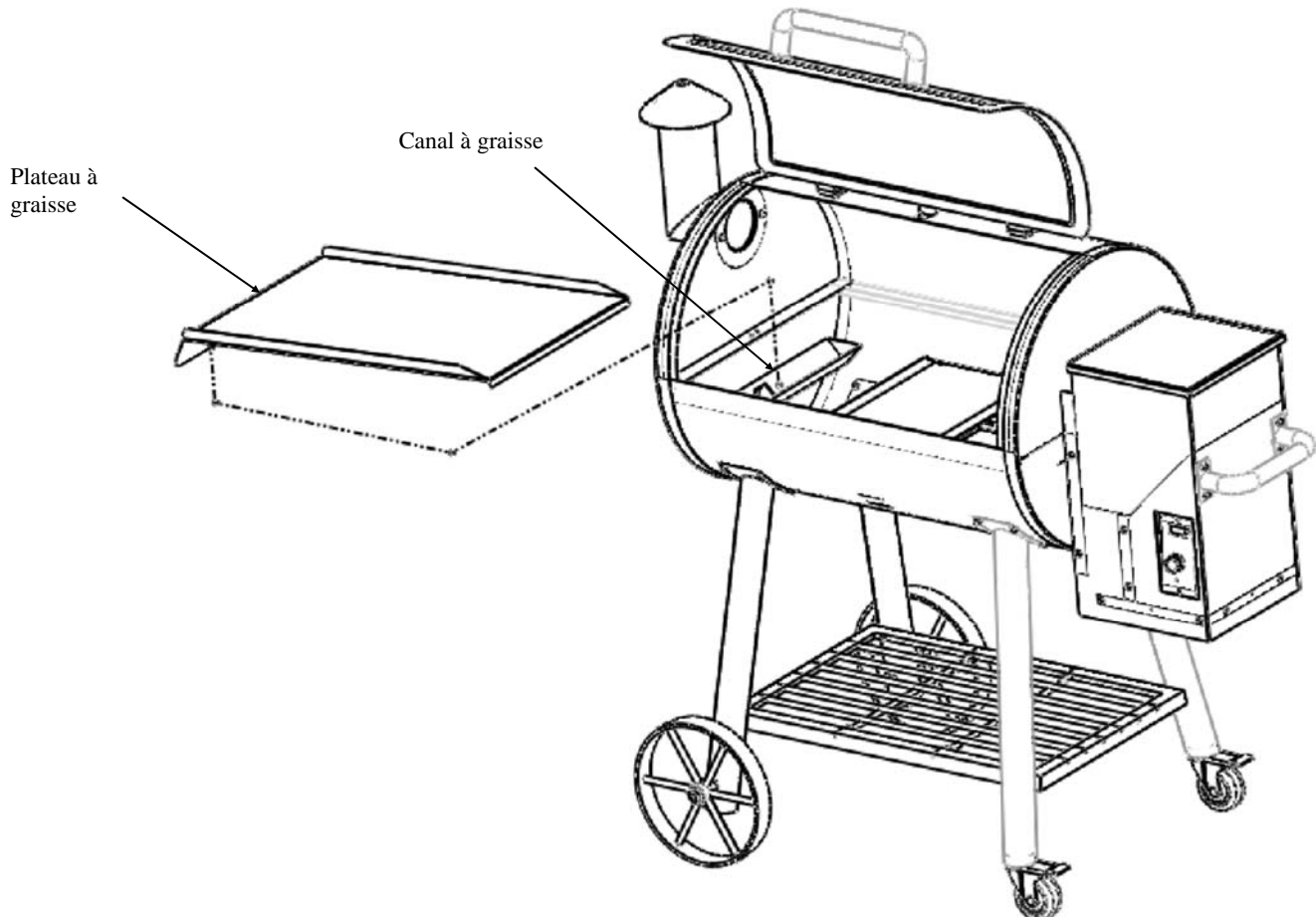
(4) Boulons à tête hexagonale --
1/4"-20 x 1/2"



Étape 9 : Placez le diffuseur de chaleur par-dessus le foyer, à l'intérieur et au centre du grill.

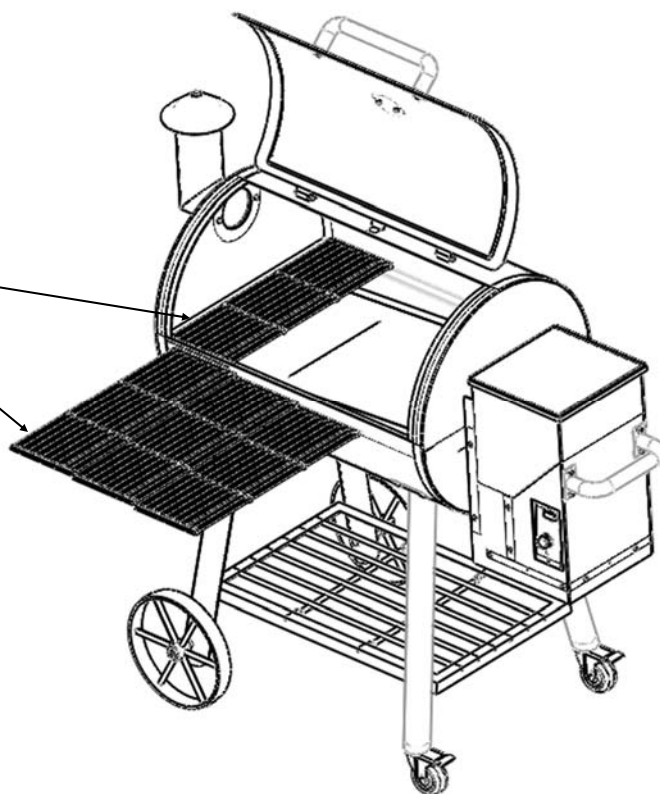


Étape 10 : Placez le plateau à graisse dans le corps du grill. Le bord en biais comprenant la découpe centrale doit être introduit dans le canal des graisses



Étape 11 : Placez les grilles de cuisson dans le

Grilles de cuisson



Étape 12 : Accrochez le seau à graisse sur la charnière du bec à graisse

Seau à graisse



PRÉPARATION DU GRIL

Instructions d'allumage initial

Les présentes instructions doivent être respectées lors de la première utilisation du gril et à chaque fois que le gril manque de granulés.

- 1.) Enlevez les grilles de cuisson, le bac à graisse, et le diffuseur de chaleur de l'intérieur du gril.
- 2.) Ouvrez le couvercle du distributeur de granulés et localisez la tarière. Assurez-vous qu'il n'y ait pas d'objets étrangers dans la tarière.
- 3.) Avec la molette du thermostat en position « OFF », branchez le cordon d'alimentation sur une prise murale appropriée reliée à la terre.
- 4.) Faites pivoter le sélecteur de température sur la position « SMOKE » [fumage].

Vérifiez les éléments suivants :

A.) La tarière tourne.

NE mettez PAS vos doigts ni aucun objet à l'intérieur du tube de la tarière. Cela peut entraîner des blessures graves.

B.) Placez votre main au-dessus du foyer afin de vérifier la présence de circulation de l'air.

NE placez PAS votre main à l'intérieur du foyer.

C.) Attendez environ 1 minute avant de vérifier que la tige soit rouge.

NE touchez PAS la tige d'allumage. Cet élément est extrêmement CHAUD et peut provoquer des brûlures.

- 5.) Placez le sélecteur de température sur la position « OFF ».
- 6.) Remplissez le distributeur de granulés avec les granulés de bois.
Utilisez uniquement des granules de bois comme source de combustible (Pour une saveur optimale , utilisez les granules de bois du Char-Griller comme combustible) .Ne pas utiliser de granules de combustion étiqueté contenant des additifs.
- 7.) Placez le sélecteur de température sur la position « HIGH ». Lors de la charge initiale de la tarière, il faudra du temps pour que les granulés soient acheminés vers le foyer. Une fois que les granulés atteignent le foyer, placez le sélecteur de température sur la position « OFF ».
- 8.) Faites pivoter le sélecteur de température sur la position « SMOKE » [fumage]. Laissez les granulés s'enflammer Une fois que des flammes s'échappent du foyer, placez le sélecteur de température sur « OFF » et laissez le gril refroidir.
- 9.) Une fois que le gril aura refroidi, insérez le diffuseur de chaleur, le plateau à graisse et les grilles de cuisson dans le gril.

Mise à température de votre gril à granulés de bois

Avant de cuire le moindre aliment sur le gril, ce dernier DOIT être mis à température.

- 1.) Avec le couvercle ouvert, faites pivoter le sélecteur de température sur la position « SMOKE » [fumage].
- 2.) Environ 2 minutes plus tard, les granulés s'enflammeront et une fumée blanche / grise sortira du gril. Une fois les granulés enflammés, fermez le couvercle, réglez le sélecteur de température sur « HIGH » et laissez opérer pendant 45 minutes.
- 3.) Placez le sélecteur de température sur la position « OFF ». Votre gril est à présent prêt pour la cuisson.

Astuce : Pour faciliter l'utilisation et le nettoyage, recouvrez le plateau à graisse avec du papier aluminium résistant. Assurez-vous que le plateau à graisse soit froid, puis déposez les feuilles à l'intérieur du plateau, adaptez les feuilles à la forme des bords. Les feuilles doivent être aplaties et serrées contre la surface du plateau afin de faciliter l'écoulement de la graisse. Remplacez fréquemment les feuilles d'aluminium et jetez celles qui sont usagées

Avertissement: TOUJOURS DEMARRER LE GRIL A LA POSITION DE REGLAGE FUMÉE AVEC COUVERCLE OUVERT .UNE FOIS LES GRANULES SONT ALLUMÉES ET FERMEZ ENSUITE LE COUVERCLE EN RÉGLANT LE SÉLECTEUR DE TEMPÉRATURE A LA TEMPÉRATURE DESIRÉE.

FONCTIONNEMENT DU GRIL

Instructions d'allumage du grill

- 1.) Avec le couvercle ouvert, faites pivoter le sélecteur de température sur la position « SMOKE » [fumage].
- 2.) Environ 2 minutes plus tard, les granulés s'enflammeront et une fumée blanche / grise sortira du grill. Une fois les granulés enflammés, fermez le couvercle, réglez le sélecteur de température sur « HIGH » et laissez opérer pendant 45 minutes.

Si le grill ne s'allume pas, procédez comme suit :

- 1.) Placez le sélecteur de température sur la position « OFF ». Ouvrez le couvercle, enlevez tous les aliments, les grilles de cuisson, le plateau à graisse et le diffuseur de chaleur.
- 2.) Retirez tous les granulés imbrûlés et les cendres situés dans le foyer.

NE touchez PAS la tige d'allumage. Cet élément est extrêmement CHAUD et peut provoquer des brûlures.

- 3.) Une fois les éléments retirés de la grille, faites pivoter la molette de température sur la position « SMOKE » [fumage].

Vérifiez les éléments suivants :

A.) Confirmez visuellement que la tige d'allumage chauffe et qu'elle devient rouge.

NE touchez PAS la tige d'allumage. Cet élément est extrêmement CHAUD et peut provoquer des brûlures.

B.) Confirmez visuellement que les granulés tombent dans le foyer depuis la tarière.

- 4.) Si la tige d'allumage ne chauffe pas et/ou que les granulés ne tombent depuis la tarière, consultez la section «Dépannage» ou contactez le service clientèle.

Utilisation de votre grill à granulés de bois

- 1.) Le sélecteur de température peut être modifié à tout moment afin d'augmenter ou de diminuer la température de cuisson du grill. Il est beaucoup plus facile d'augmenter la température du grill que de la réduire. Une fois que le corps du grill a atteint une température élevée, il est beaucoup plus difficile de maintenir une température inférieure. Laissez le temps au corps du grill de refroidir.
- 2.) Le réglage « SMOKE » [fumage] est destiné au fumage et à l'ajout d'un arôme fumé aux aliments en cours de cuisson. Le réglage « SMOKE » [fumage] peut également être utilisé afin de maintenir les aliments à une température d'environ 180° - 200° F.
- 3.) Le grill à granulés de bois Char-Griller est conçu pour fonctionner avec le couvercle en position fermée. Effectuer la cuisson avec le couvercle en position ouverte augmentera considérablement le temps de cuisson.
- 4.) Lorsqu'il s'agit d'estimer les temps de cuisson, la température extérieure sera un facteur déterminant. S'il fait froid, humide ou venteux, le temps de cuisson sera plus long. S'il fait chaud, le temps de cuisson sera plus court.
- 5.) N'ajoutez jamais de granulés dans le foyer à la main. Cela est **DANGEREUX** et peut causer des blessures graves. Si le foyer vient à manquer de granulés, placez le sélecteur de température sur la position « OFF ». Procédez ensuite selon les instructions de l'allumage initial.
- 6.) Ne déplacez jamais le grill lorsqu'il est chaud. Si vous transportez votre grill à l'intérieur d'un véhicule après utilisation, assurez-vous que le feu soit éteint et que le grill soit FROID avant de le placer dans le véhicule.
- 7.) Ne mettez jamais d'eau dans le foyer. Cela risquerait de bloquer la tarière.
- 8.) Assurez-vous que le diffuseur de chaleur soit placé dans la bonne position. Si le diffuseur de chaleur n'est pas placé correctement dans le foyer, les flammes nues risquent d'enflammer les graisses situées sur le plateau à graisse.
- 9.) Les feux de graisse se produisent lorsque le grill n'est pas nettoyé régulièrement. Le plateau à graisse, le canal à graisse dans lequel repose le plateau à graisse, le bec à graisse et le seau à graisse doivent être nettoyés régulièrement afin de minimiser l'accumulation des graisses. **Dans le cas d'un feu de graisse, placez le sélecteur de température sur la position « OFF » et laissez le couvercle fermé jusqu'à ce que le feu soit complètement éteint.** Ne laissez jamais le couvercle ouvert lors d'un feu de graisse. Si le feu ne s'éteint pas, saupoudrez prudemment du bicarbonate de soude sur le feu. Veillez à ne pas vous brûler. Refermez ensuite le couvercle. Une fois que le feu de graisse est complètement éteint et que le grill est froid, nettoyez toute accumulation de graisse dans le plateau à graisse, le canal à graisse, le bec à graisse et le seau à graisse. Remplacez les feuilles d'aluminium sur le plateau à graisse.

REMARQUE : Lorsque vous utilisez votre grill, maintenir les matières combustibles à une distance minimale de 10 pouces par rapport au grill .

ENTRETIEN DE LA GRILLE

- 1.) Le gril à granulés de bois doit être fréquemment vérifié afin d'y détecter toute accumulation de graisse. Les endroits suivants sont ceux susceptibles de présenter une accumulation de graisse.
 - Remplacez régulièrement le papier aluminium situé sur le plateau à graisse.
 - Nettoyez régulièrement la graisse située dans le canal à graisse, le bec à graisse et sur toutes les surfaces intérieures du corps du gril.
 - Videz régulièrement le seau à graisse. Recouvrir cet élément à l'aide de feuilles d'aluminium permet de faciliter le nettoyage.

Le manque de nettoyage régulier de ces éléments peut entraîner une accumulation de graisse et peut conduire à un feu de graisse. Assurez-vous que ces éléments soient nettoyés régulièrement.

Astuce : Le nettoyage des graisses sur le gril est plus facile lorsque le gril est chaud, mais pas brûlant. Veillez à ne pas vous brûler.

- 2.) Les surfaces extérieures doivent être nettoyées avec de l'eau savonneuse tiède. N'utilisez PAS de nettoyeurs abrasifs ou des produits chimiques, cela pourrait endommager la peinture.
- 3.) Selon l'utilisation, nettoyez l'accumulation de cendres à l'intérieur et autour du foyer. Assurez-vous que le gril, la tige d'allumage et les cendres soient froids avant d'effectuer cette procédure.

Astuce : Un Shop-vac peut être utile pour la réalisation de cette procédure.

- 4.) Si le gril est entreposé à l'extérieur, les précautions nécessaires doivent être prises afin de garantir que l'eau ne pénètre pas dans le réservoir à granulés. Les granulés de bois absorbent l'humidité et gonflent de façon importante. Les granulés de bois gonflés risquent de bloquer la tarière et/ou causer des dégâts. Retirez les éventuels granulés de bois gonflés situés dans le distributeur à granulés avant toute utilisation.

Astuce : Achetez une couverture personnalisée Char-Griller, modèle # 9155, afin de protéger votre gril des intempéries.

- 5.) Il est plus facile de nettoyer les restes de nourriture situés sur les grilles juste après la cuisson. **Veillez à ne pas vous brûler.** Frottez légèrement les grilles à l'aide d'une brosse en métal à long manche afin d'en enlever les restes de nourriture.



COUVERTURE POUR GRIL #9155
Personnalisée
Résistante aux intempéries

CONTRÔLE NUMÉRIQUE DU GRIL

La commande numérique du grill permet de sélectionner la température désirée. Les informations suivantes vous fourniront les indications nécessaires vous permettant d'utiliser correctement votre contrôleur. .

Vue d'ensemble

Écran LCD	Il affiche la température du grill, les réglages de fumage, les paramètres d'injection des granulés, le statut de l'allumeur, le statut à basse température et les messages d'erreur.
Molette de sélection de la température	Elle permet de sélectionner un réglage parmi neuf réglages de température disponibles dont « OFF » et « SMOKE ».
Molette de contrôle du fumage	Il permet de sélectionner l'un des huit modes de fumage/débit d'injection des granulés.
Mode cuisson	La température du grill est surveillée en permanence et le dispositif de commande manœuvre le ventilateur de tirage et la tarière afin de maintenir une température constante à l'intérieur du grill. Consultez la section MODE CUISSON du présent manuel pour obtenir de plus amples informations.
Mode fumage	En mode fumage, le grill fonctionne à basse température afin de maximiser la quantité de fumée. La molette de réglage du fumage dispose de plusieurs réglages 'P' permettant d'augmenter ou de diminuer la quantité de fumée. Consultez la section FUMAGE du présent manuel afin d'obtenir de plus amples informations.

Comprendre les indications de l'écran LCD

888	Lorsque le grill est branché sur le secteur, le message '888' s'affiche momentanément.
Température	Dans les modes fumage et cuisson, la température du grill est affichée en incréments de 5 degrés (°F).
Température - clignotante	En mode fumage, la température affichée clignote si la température du grill est inférieure à 110°F. En mode cuisson la température affichée clignote si la température du grill est inférieure à 150°F.
Points clignotants	L'allumeur est allumé.
Réglages 'P' P0-P7	Lorsque la molette de réglage de la température est en position « SMOKE », la molette de contrôle du fumage est ajustée, le réglage « SMOKE » sera affiché pendant 3 secondes. Lorsque le sélecteur de température est en mode cuisson, le réglage du débit d'injection des granulés est affiché pendant 3 secondes.
'ErH' clignotant	La température du grill a dépassé les °F. La tarière, l'allumeur, et le ventilateur de tirage sont éteints. Placez le sélecteur de température sur « OFF », ouvrez le couvercle, attendez 1 à 2 minutes puis sélectionnez le réglage souhaité.
'ErP' clignotant	Le sélecteur de température n'était pas en position « OFF » lorsque le grill a été branché sur le secteur. Placez le sélecteur de température sur la position « OFF », attendez 2 secondes puis sélectionnez le réglage souhaité.

CONTRÔLE NUMÉRIQUE DU GRIL

Connexion du gril à une prise électrique

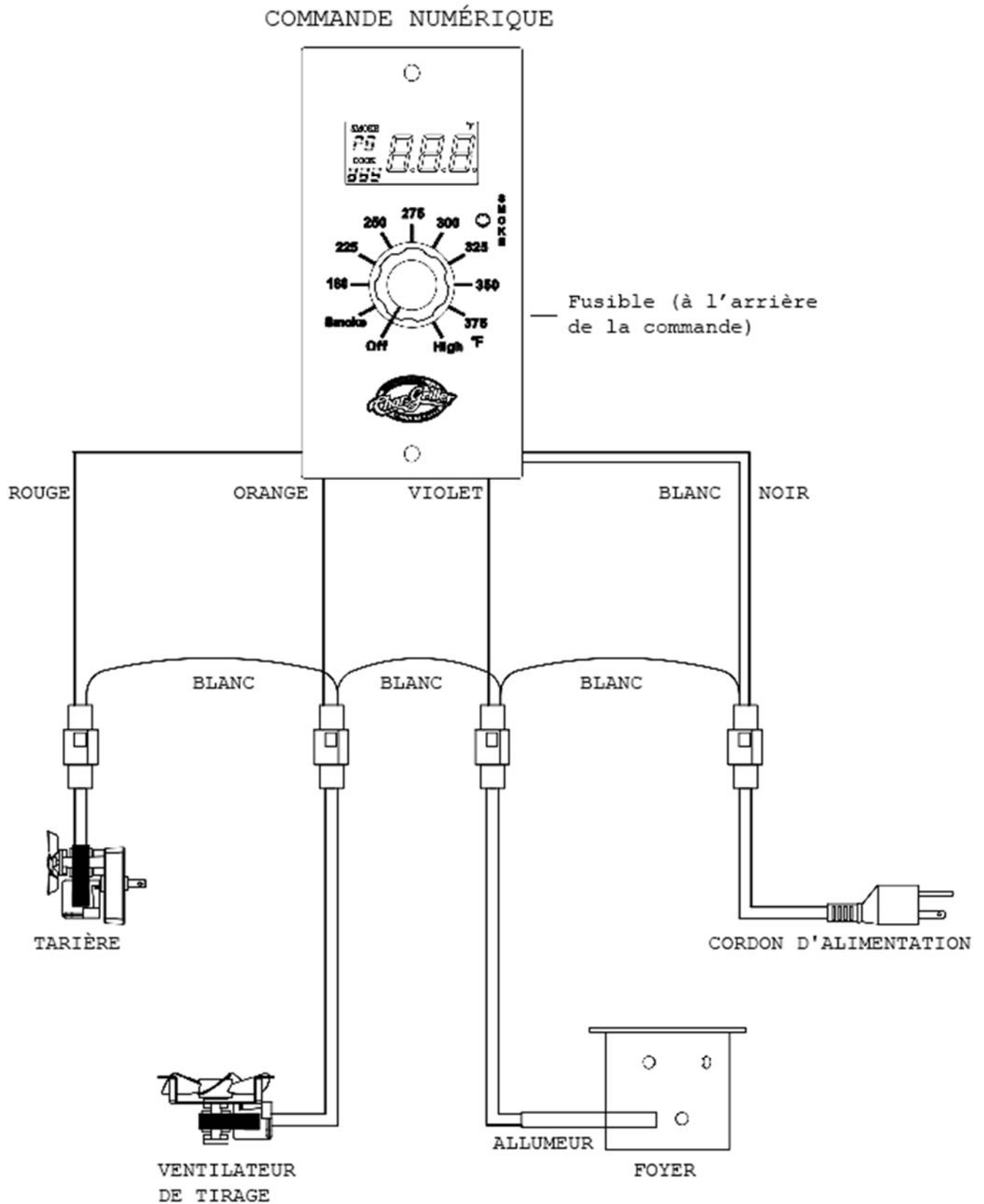
- 1.) Le sélecteur de température doit être en position « OFF ».
- 2.) Branchez le cordon d'alimentation sur une prise murale appropriée reliée à la terre.
- 3.) Si l'indication 'ErP' est affichée, le sélecteur de température ne se trouvait pas en « OFF ». Cela provoque une erreur de démarrage par inadvertance, ce qui interrompt la séquence d'allumage. Pour corriger l'erreur, placez le sélecteur de température sur la position « OFF », attendez 2 secondes puis réglez la température de cuisson souhaitée.
Cette fonction permet d'empêcher les démarrages involontaires. Par exemple, si le gril se trouve dans le garage et qu'il est branché involontairement, il ne s'enflammera pas.
- 4.) Si l'écran LCD affiche des points clignotants, l'allumage est activé. La séquence d'allumage a réussi.

Remarque : N'utilisez pas le gril dans des conditions humides ou pluvieuses.

Séquence d'allumage

- 1.) Réglez le sélecteur de température sur la position « SMOKE » ou sur toute autre température désirée
- 2.) La séquence d'allumage est la suivante :
 - A.) Le ventilateur de tirage se met en marche.
 - B.) L'allumeur s'allume.
 - C.) La tarière est mise en marche et fournit des granulés en continu pendant 4 minutes.
 - D.) L'allumeur s'éteint au bout de 5 minutes.
- 3.) Une fois l'allumeur éteint, le gril fonctionne selon le mode sélectionné. Les points clignotants s'éteignent.

Schéma de câblage de la commande



MODES FUMAGE / CUISSON

Lorsque le sélecteur de température est réglé sur la position « SMOKE », le gril maintient une température modérée et délivre la quantité désirée de fumée afin d'améliorer la saveur des aliments.

Fumage

- 1.) Réglez le sélecteur de température sur « SMOKE ». L'écran LCD affiche la température actuelle du gril.
- 2.) Utilisez le sélecteur de contrôle du fumage afin de définir le réglage de fumée, P0-P7. Le sélecteur affichera la température actuelle du gril. Voir « Comprendre le mode fumage/le débit d'injection des granulés » pour de plus amples informations concernant les réglages du fumage.
- 3.) Une fois l'allumeur éteint, la tarière fournit les granulés à une vitesse constante déterminée par le réglage du fumage.
- 4.) Si la température du gril clignote, cela indique que la température est inférieure à 110°F. Ceci est destiné à alerter l'opérateur que le feu risque de s'éteindre. Il ne s'agit pas d'une erreur et n'affecte pas le fonctionnement du gril.
- 5.) Si la température du gril est supérieure à °F, l'indication 'ErH' clignotera afin d'indiquer une erreur de limite de température et le gril s'arrêtera.

Cuisson

- 1.) Réglez le sélecteur de température sur la température désirée. L'écran LCD affichera la température actuelle du gril.
- 2.) Une fois l'allumeur éteint, la tarière fonctionne en continu jusqu'à ce que la température souhaitée soit atteinte, elle tourne ensuite selon le débit d'injection des granulés sélectionné.
Si la température mesurée du gril est inférieure à la température de consigne, la tarière tourne en continu.
Si la température mesurée du gril est égale ou supérieure à la température de consigne, la tarière tourne selon le débit d'injection des granulés sélectionné.
- 3.) Si la température du gril clignote, cela signifie que la température est inférieure à 150°F. Ceci est destiné à alerter l'opérateur que le feu risque de s'éteindre. Il ne s'agit pas d'une erreur et n'affecte pas le fonctionnement du gril.
- 4.) Si la température du gril est supérieure à °F, l'indication 'ErH' clignotera afin d'indiquer une erreur de limite de température et le gril s'arrêtera.

Réglage de température élevée - si le sélecteur de température est réglé sur « HIGH », le gril fonctionne à 450° F. Si le gril n'est pas en mesure d'atteindre les 450° F en raison de la température ambiante et de l'humidité, du type et de la qualité du combustible, et/ou des caractéristiques thermiques du gril, la tarière alimentera les granulés en continu afin que le gril fonctionne à sa température maximale.

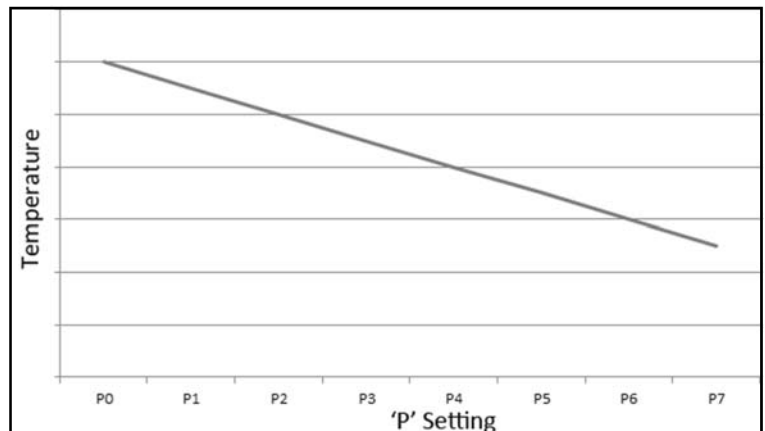
Débit d'injection des granulés - le débit d'injection des granulés est le débit selon lequel la tarière délivre les granulés lorsque le gril a atteint la température souhaitée. En mode cuisson, vous pouvez régler manuellement le débit d'injection des granulés à l'aide de la molette de contrôle du fumage. Voir « Comprendre le mode fumage/le débit d'injection des granulés » pour de plus amples informations.

COMPRENDRE LE MODE FUMAGE/LE DÉBIT D'INJECTION DES GRANULÉS

Le mode fumage et le débit d'injection des granulés sont tous deux contrôlés par la molette de contrôle du fumage.

Lors du mode fumage et du mode cuisson, la tarière est enclenchée, elle délivre les granulés pendant 18 secondes, puis s'éteint. Le temps d'attente est défini par la molette de contrôle du fumage qui affiche un paramètre 'P'. Lorsque la molette de contrôle du fumage est réglée, le paramètre 'P' correspondant est momentanément affiché sur l'écran LCD. Huit paramètres 'P' sont disponibles, allant de P0 à P7.

Paramètre 'P'	Tarière enclenchée	Tarière désactivée
P0	18 secondes	55 secondes
P1	18	70
P2	18	85
P3	18	100
P4	18	115
P5	18	130
P6	18	140
P7	18	150



L'augmentation de la valeur 'P' diminue le débit d'injection des granulés, ce qui entraîne la diminution de la température du gril. Ajustez le paramètre 'P' à la température et/ou à la production de fumée souhaitée(s). **Pour une cuisson sans souci, P2 est le réglage recommandé.**

La diminution de la valeur 'P' augmente le débit d'injection des granulés, ce qui entraîne une augmentation de la température du gril.

Plus la valeur 'P' est importante, plus la température est faible, et plus la quantité de fumée est élevée.

Selon la température ambiante, l'humidité et la vitesse du vent, un réglage 'P' faible serait souhaitable. Dans un endroit frais, humide ou venteux, un réglage de 'P' trop élevé peut entraîner une température du gril trop faible et l'extinction du feu.

Le paramètre 'P' permet également de contrôler le débit d'injection des granulés en mode cuisson. Par exemple, en mode fumage, le réglage 'P4' permet de délivrer des granulés pendant 18 secondes, puis d'interrompre l'injection pendant 115 secondes. En mode cuisson, le réglage 'P4' permet de délivrer des granulés pendant 18 secondes, puis d'interrompre l'injection pendant 115 secondes.

Débit d'injection des granulés en mode cuisson

Le débit d'injection des granulés est le débit selon lequel les granulés alimentent le feu dans le foyer sans élever la température du gril.

En mode cuisson, si la température du gril est égale ou supérieure à la température de consigne, la tarière tourne selon le débit d'injection des granulés sélectionné. Si la température du gril est inférieure à la température de consigne, la tarière tourne en continu.

Débit d'injection des granulés en mode fumage

En mode fumage, l'augmentation du paramètre 'P' permet de diminuer le débit d'injection des granulés et de diminuer ainsi la température du gril. Réglez manuellement le paramètre 'P' afin d'obtenir la température et la production de fumée désirées.

DÉPANNAGE

Modes et messages d'erreur du panneau de contrôle

- Température - clignotante** En mode fumage, la température affichée clignote si la température du gril est inférieure à 110 °F. En mode cuisson, la température affichée clignote si la température du gril est inférieure à 150 °F. Il ne s'agit pas d'une erreur et n'affecte pas le fonctionnement du gril. Ceci est destiné à alerter l'opérateur que le feu risque de s'éteindre.
- Points clignotants** L'allumeur est allumé.
Il ne s'agit pas d'une erreur et n'affecte pas le fonctionnement du gril. Les points clignotants sont destinés à signaler à l'utilisateur que l'allumeur du gril est en marche.
- 'ErH' clignotant** La température du gril a dépassé les °F. La tარიère, l'allumeur, et le ventilateur de tirage sont éteints. Pour corriger l'erreur, placez le sélecteur de température sur « OFF », ouvrez le couvercle, attendez 1 à 2 minutes puis sélectionnez le réglage souhaité. Si l'erreur n'est pas corrigée, le détecteur de température ne fonctionne pas correctement. Voir la section « Dépannage » du présent manuel.
- 'ErP' clignotant** Le sélecteur de température n'était pas en position « OFF » lorsque le gril a été branché sur le secteur. Placez le sélecteur de température sur la position « OFF », attendez 2 secondes puis sélectionnez le réglage souhaité. Cette fonction permet d'empêcher les démarrages involontaires. Par exemple, si le gril se trouve dans le garage et qu'il est branché involontairement, il ne s'enflammera pas.

La température du gril est trop élevée lorsqu'elle est réglée à 180 degrés

Le débit d'injection de la tარიère est trop élevé. Augmentez le paramètre 'P' de contrôle du fumage afin de diminuer le débit d'injection en mode cuisson. Par exemple, si votre paramètre 'P' est réglé sur P2, modifiez le réglage en faveur de P4.

Une température du gril inattendue est affichée

Le débit d'injection de la tარიère est trop élevé ou trop faible.

Si la température est **plus élevée que prévu, augmentez le réglage du paramètre 'P'**.

Si la température est **plus faible que prévue, diminuez le réglage du paramètre 'P'**.

DÉPANNAGE

L'écran LCD ne s'allume pas

Vérifiez les éléments suivants :

- 1.) Vérifiez qu'il y ait du courant au niveau de la prise électrique lorsque le gril est branché.
- 2.) Si le cordon d'alimentation est branché sur une prise à disjoncteur différentiel, vérifiez-le et réinitialisez-le si nécessaire.
- 3.) Assurez-vous que le sélecteur de température se trouve en position « OFF ».
- 4.) Faites pivoter le sélecteur de température sur la position « SMOKE » [fumage].

Si l'écran LCD ne s'allume toujours pas, contactez le service clientèle pour obtenir une assistance supplémentaire.

La prise à disjoncteur différentiel se déclenche sans arrêt

- 1.) Assurez-vous de ne pas utiliser une rallonge de plus de 25' de long. (Le gril devrait être disposé à une distance minimale de 3' par rapport à toute structure) Les câbles de calibre 12 correspondent au minimum recommandé

Le gril ne s'allume pas

Vérifiez les éléments suivants :

- 1.) Vérifiez qu'il y ait du courant au niveau de la prise électrique lorsque le gril est branché.
- 2.) Si le cordon d'alimentation est branché sur une prise à disjoncteur différentiel, vérifiez-le et réinitialisez-le si nécessaire.
- 3.) Placez le sélecteur de température sur la position « OFF ».
- 4.) Faites pivoter le sélecteur de température sur la position « SMOKE » [fumage].
 - A.) Si l'écran LCD s'allume, procédez aux étapes supplémentaires.
 - B.) Si l'écran LCD ne s'allume pas, le gril ne reçoit pas de courant. Reportez-vous à l'étape 1.
- 5.) Placez le sélecteur de température sur la position « OFF ». Ouvrez le couvercle, enlevez tous les aliments, les grilles de cuisson, le plateau à graisse et le diffuseur de chaleur.
- 6.) Retirez tous les granulés imbrûlés et les cendres situés dans le foyer.

NE touchez PAS la tige d'allumage. Cet élément est extrêmement CHAUD et peut provoquer des brûlures.
- 7.) Une fois les éléments retirés de la grille, faites pivoter la molette de température sur la position « SMOKE » [fumage].
 - A.) Confirmez visuellement que la tige d'allumage chauffe et qu'elle devient rouge.

NE touchez PAS la tige d'allumage. Cet élément est extrêmement CHAUD et peut provoquer des brûlures.
 - B.) Confirmez visuellement que les granulés tombent dans le foyer depuis la tarière.

Si la tige d'allumage ne chauffe pas :

- A.) La tige d'allumage pourrait être en panne. Contactez le service à la clientèle de Char-Griller. Consultez les instructions d'allumage manuel afin d'obtenir la séquence d'allumage à suivre lorsque la tige d'allumage ne fonctionne pas.
- B.) Le panneau de contrôle pourrait être en panne. Contactez le service à la clientèle de Char-Griller.

Suite à la page suivante.

DÉPANNAGE

Suite.

Si les granulés ne sortent pas de la tarière :

- 1.) Placez le sélecteur de température sur la position « OFF » et débranchez l'appareil de la prise murale.
- 2.) Vérifiez qu'il n'y ait aucun objet ou granulé gonflé qui obstrue la tarière.

S'il n'y a aucune obstruction :

- A.) Le moteur de la tarière pourrait être en panne. Contactez le service à la clientèle de Char-Griller.
- B.) Le panneau de contrôle pourrait être en panne. Contactez le service à la clientèle de Char-Griller.

Le feu s'éteint lorsque le réglage « SMOKE » est sélectionné

Un excès de cendres à l'intérieur du foyer pourrait engendrer le problème.

- 1.) Assurez-vous que le gril soit froid, ouvrez le couvercle, enlevez les grilles de cuisson, le plateau à graisse et le diffuseur de chaleur.
- 2.) Retirez toutes les cendres et les granulés non brûlés situés à l'intérieur et autour du foyer.

Assurez-vous que le gril soit FROID afin d'éviter qu'un feu se déclare à partir des cendres chaudes.

- 3.) Remplacez le diffuseur de chaleur, le plateau à graisse et les grilles de cuisson.
- 4.) Procédez à l'allumage

Si le problème n'est pas résolu, contactez le service à la clientèle de Char-Griller pour obtenir une assistance supplémentaire.

Les granulés n'atteignent pas le foyer

Vérifiez les éléments suivants :

- 1.) Vérifiez qu'il n'y ait aucun granulé dans le réservoir à granulés.

S'il s'agit de l'allumage initial ou si le gril est à court de granulés, laissez le temps aux granulés de remplir la tarière. (Cela peut prendre jusqu'à 7 minutes)

- 2.) Procédez à l'allumage. **Voir les instructions d'allumage initial** indiquées dans le présent manuel d'utilisation.
- 3.) Si le moteur d'entraînement de la tarière ne fonctionne pas, mais que le ventilateur de tirage fonctionne, le problème se situe au niveau de la tarière.

Pour vérifier cela, procédez comme suit :

- A.) Avec le sélecteur de température sur la position « OFF », localisez le petit ventilateur situé à l'arrière du moteur d'entraînement de la tarière.
- B.) Tout en regardant le ventilateur, avec les mains à l'écart de toute pièce mobile, placez le sélecteur de température sur la position « SMOKE » [fumage]. Si les pales du ventilateur ne bougent pas, cela confirme que le moteur de la tarière est défectueux et qu'il doit être remplacé. Contactez le service à la clientèle de Char-Griller afin de passer une commande.
- C.) Si le ventilateur tourne un peu, et qu'il s'arrête ensuite, continuez à observer tout en plaçant le sélecteur de température sur la position « OFF ». Si le ventilateur tourne légèrement dans le sens contraire, cela confirme la présence d'un bouchage de la tarière.

Débranchez le cordon d'alimentation de la prise électrique et retirez les granulés du distributeur de granulés. Vérifiez la présence de corps étrangers ou de granulés humides/gonflés susceptibles de causer un bouchage de la tarière.

Protéger la peinture de finition

Lorsqu'il n'est pas utilisé, protégez la finition du gril à l'aide d'une couverture pour gril. Char-Griller propose une couverture de gril personnalisée, modèle #9155.

Utilisez une peinture de retouche sur toutes les surfaces où la peinture a été rayée ou écaillée. Cela permettra de mini-

DÉPANNAGE

Instructions d'allumage manuel

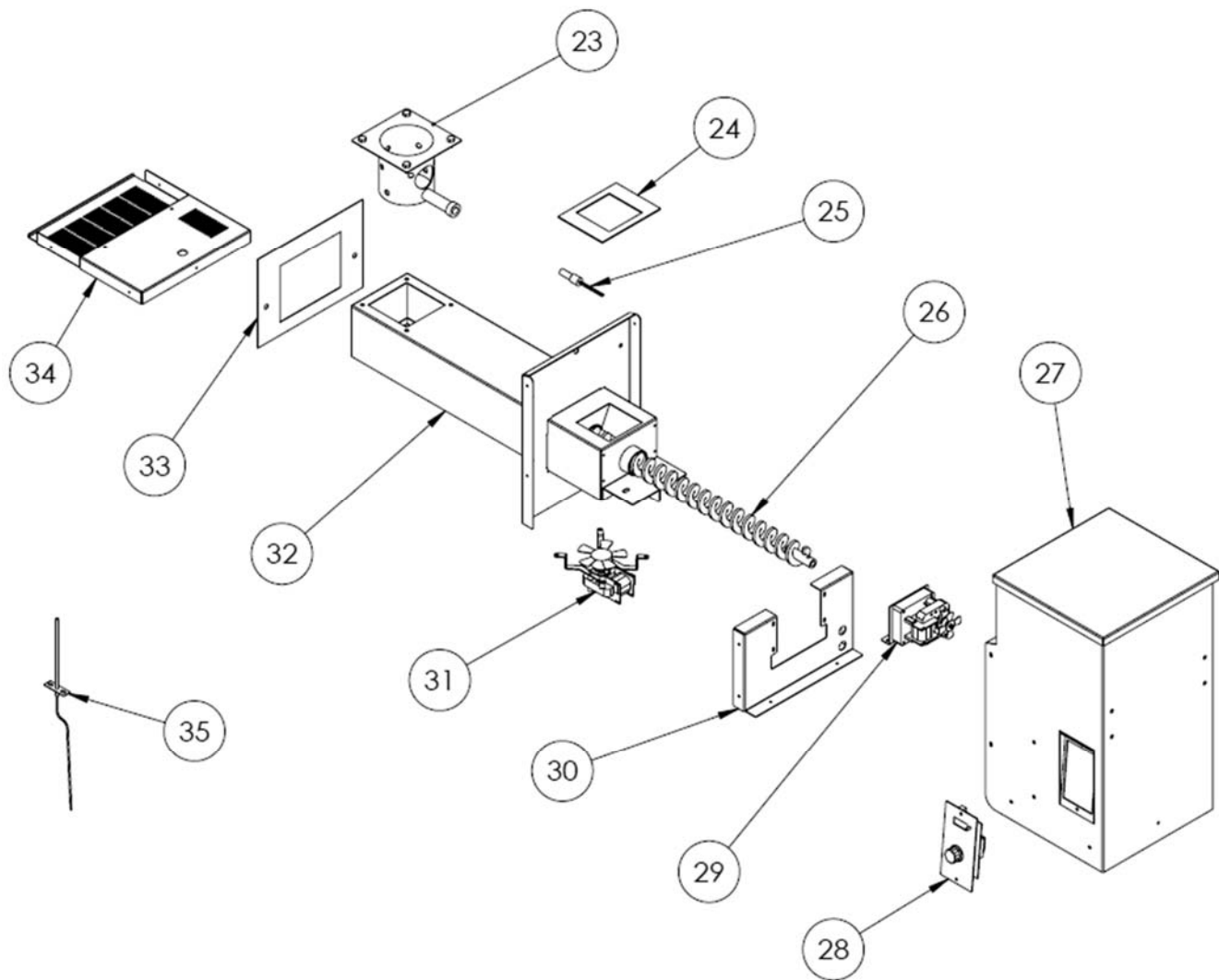
Si la tige d'allumage ne fonctionne pas, le gril peut encore être utilisé pour cuire et fumer en utilisant la procédure d'allumage manuel tel qu'indiqué ci-dessous.

- 1.) Assurez-vous que le sélecteur de température se trouve sur la position « OFF » et que le câble de la tige d'allumage soit déconnecté de la commande numérique. (câble violet/blanc). Reportez-vous à la section du schéma de câblage de la commande numérique du présent manuel pour obtenir le schéma de câblage.
- 2.) Ouvrez le réservoir à granulés et remplissez-le de granulés.
- 3.) Enlevez les grilles de cuisson, le plateau à graisse, et le diffuseur de chaleur afin d'exposer le foyer.
- 4.) Versez environ 1/2 tasse de granulés de bois directement dans le foyer.
- 5.) Aspergez 2 cuillères à soupe d'allume-feu à base de gel d'alcool à l'intérieur du foyer, à la surface des granulés.

AVERTISSEMENT : Ne versez jamais l'allume-feu à base de gel d'alcool à l'intérieur d'un feu ou d'un foyer en cours de combustion. La bouteille de gel d'alcool pourrait exploser et provoquer des blessures graves.

- 6.) Allumez le gel d'alcool à l'aide d'une allumette de cheminée ou d'un briquet au butane à long bec.
- 7.) Laissez le gel d'alcool et les granulés brûler pendant 4 à 5 minutes.
- 8.) Après que les granulés ont été enflammés, installez le diffuseur de chaleur, le plateau à graisse et les grilles de cuisson.
- 9.) Faites pivoter le sélecteur de température sur la position souhaitée. Une fois que les granulés sont enflammés et que de la fumée blanche/grise provient du gril, fermez le couvercle et laissez le gril préchauffer pendant environ 10 minutes avant d'y placer les aliments.

PELLET DELIVERY SYSTEM BREAKDOWN



Élément	Description	QTTÉ
23	Foyer	1
24	Clapet de fermeture du distributeur / de la tarière	1
25	Tige d'allumage	1
26	Tarière	1
27	Assemblage soudé du boîtier de distribution	1
28	Contrôleur	1
29	Moteur de la tarière avec support de soutien	1
30	Support du moteur de la tarière	1
31	Ventilateur	1
32	Assemblage soudé du boîtier de la tarière	1
33	Clapet de fermeture séparant le boîtier de distribution et le corps du gril	1
34	Plaque de Support de fond	1
35	Capteur de chaleur	1



ACCESSOIRES

POUR AMÉLIORER VOS GRILLADES

Pour obtenir nos tarifs ou pour commander, consultez la page :

www.CharGriller.com
 ou contactez-nous :
 PAR TÉLÉPHONE :
 912-638-4724 ou
 PAR TÉLÉCOPIE :
 912-638-2580 ou par COURRIER :
 B.P. 30864
 Sea Island, Géorgie 31561

Visitez notre boutique en ligne à l'adresse : www.CharGriller.com pour en savoir plus concernant les accessoires professionnels de Char-Griller®



GRANULÉS DE BOIS GOURMET #9620

Utilisez notre mélange exclusif de granulés de bois afin d'ajouter à vos aliments une saveur délicieuse!



COUVERTURE POUR GRIL #9155

Personnalisée
Résistante aux intempéries



THERMOMÈTRE À DISTANCE # 6206

Permet de contrôler la température de la viande et du fumoir jusqu'à 572°F. Vérifiez la température de la viande et du fumoir depuis l'intérieur de votre maison - jusqu'à une distance de 300 pieds.

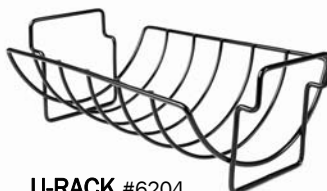


PLATEAU À GRAISSE #6205

Permet de recueillir la graisse et conserve les arômes liquides
Pour plus de goût

TABLIER #8805

2 poches
Réglables



U-RACK #6204

Debout pour le rôtissage
Sur le côté pour les côtes

RÔTISSOIRE À VO-LAILLE

DINDE # 6207
POULET #6208*



WOK KOOKER # 6203

Idéal pour les légumes



MANUAL DEL USUARIO



ASADOR DE BOLITAS DE MADERA PRENSADA™ Modelo 9020



Para efectos de Garantía, guarda tu recibo con este manual.

ATENCIÓN AL CLIENTE
1-912-638-4724
Service@CharGriller.com

Lo contenido en este manual es Marca Registrada y Propiedad con Derechos de Autor de Char-Griller | A&J Manufacturing. Está terminantemente prohibido utilizar la información suministrada en este manual sin el consentimiento de Char-Griller y/o A&J Manufacturing.

ADVERTENCIAS DE SEGURIDAD IMPORTANTES

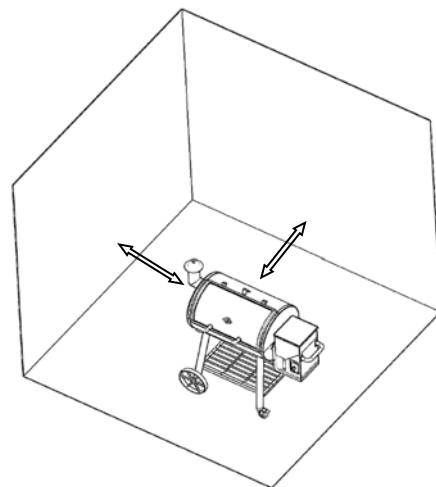
LEA CUIDADOSAMENTE TODAS LAS INSTRUCCIONES Y ADVERTENCIAS DE SEGURIDAD ANTES DE ARMAR Y PONER A FUNCIONAR SU ASADOR

- Tenga cuidado al armar y poner a funcionar su asador para evitar raspones o cortaduras con bordes filosos.
- No utilice gasolina, queroseno ni alcohol para encender el carbón. El uso de cualquiera de estos productos o similares podría causar una explosión que posiblemente origine graves lesiones corporales.
- No se utiliza un líquido más ligero o cualquier líquido inflamable de los pellets ya encendidas.
- Tenga sumo cuidado al agregar carbón o leña.
- Nunca mueva el asador cuando esté en uso o cuando contenga carbones o cenizas calientes; mantenga el asador en una posición nivelada en todo momento mientras esté en uso. SIEMPRE enganche la cubierta cuando esta se encuentre en posición cerrada.
- No coloque el asador cerca de líquidos inflamables, gases o donde haya presencia de vapores inflamables.
- Al abrir el asador, hágalo primero ligeramente para dejar que entre una pequeña cantidad de aire durante unos segundos. Esto impide que grandes cantidades de oxígeno lleguen a los carbones que se han extinguido, lo que peligrosamente puede causar que se vuelvan a encender.
- Tenga cuidado, pues las llamas pueden elevarse cuando el aire entra repentinamente en contacto con el fuego. Cuando abra la cubierta, mantenga las manos, el rostro y el cuerpo protegidos del vapor caliente y de llamaradas.
- Retirar el exceso de grasa antes de cocinar ayudará a evitar llamaradas.
- Mantenga su asador limpio para evitar llamaradas.
- Ponga siempre carbón encima de la rejilla de combustión y no directamente al fondo del asador.
- No sobrepase una temperatura de 570° F. No permita que el carbón o la madera se apoye en las paredes del asador. Al hacerlo se reducirá en gran medida la vida útil del asador.
- Siempre lleve puestos guantes para horno para proteger sus manos de quemaduras, especialmente cuando ajuste los reguladores. Evite tocar superficies calientes.
- Cuando abra la cubierta, asegúrese de haberla empujado completamente hacia atrás, de modo que se apoye contra su soporte. Tenga mucho cuidado, ya que la campana puede volverse a caer en posición cerrada y causarle daños físicos.
- Cierre la cubierta y todos los reguladores para ayudar a sofocar la llama.
- Siempre sostenga una cubierta abierta por el asa para evitar que se cierre inesperadamente.
- Nunca deje carbones ni cenizas sin supervisión. Antes de que pueda dejar sin atención un asador, deben haberse retirado los carbones y las cenizas. Tenga cuidado en protegerse a usted mismo y a la propiedad. Coloque cuidadosamente los carbones y las cenizas sobrantes en un recipiente metálico no combustible y llénelo totalmente de agua. Permita que los carbones y el agua permanezcan en el recipiente metálico durante 24 horas antes de eliminarlos
- Para protegerse contra bacterias que podrían causar enfermedades, mantenga todas las carnes refrigeradas y descongélelas en el refrigerador o microondas; mantenga las carnes crudas separadas de otros alimentos; lave todo lo que entre en contacto con carnes crudas; cocínelas completamente y refrigere los restos de inmediato. Cocine las carnes a término medio o bien asadas.
- No use la parrilla en húmedos o lluviosos.
- Póngase en contacto con la construcción o incendios locales acerca de las restricciones y requisitos de inspección de la instalación en su área.
- El incumplimiento de estas instrucciones puede resultar en daños a la propiedad, lesiones personales o incluso la muerte.
- **GUARDE ESTAS INSTRUCCIONES PARA FUTURA REFERENCIA.**

ADVERTENCIA

Para el uso seguro de su parrilla y evitar lesiones seroso.

- Mantenga a los niños y mascotas lejos de parrilla. Supervisión es necesaria y no deje la parrilla desatendida cuando esté en uso.
- Mantenga el área de la parrilla clara y libre de materiales que arden. Tenga cuidado cuando mueva la parrilla para evitar tensiones.
- Use la parrilla sólo en espacio bien ventilado.
- Nunca use en espacios cerrados como cochera, porche, garaje, patio cubierto, o bajo una estructura arriba de cualquier tipo.
- Mantenga la parrilla al menos 10 pies de cualquier material combustible (cubiertas, edificios, cercas, árboles, arbustos, etc.).
- Siempre coloque la parrilla sobre una dura, niveladas, no combustibles superficie donde la superficie protectora haya sido aprobada para tal uso por la autoridad competente.



Siga estas pautas para impedir que este gas incoloro, inodoro intoxicación con usted, su familia u otras personas.

- Reconocer los síntomas de envenenamiento por monóxido de carbono: dolor de cabeza, mareos, debilidad, náuseas, vómitos, somnolencia y confusión. Monóxido de carbono reduce la capacidad de la sangre para transportar oxígeno. Bajos niveles de oxígeno de la sangre y puede resultar en pérdida de conciencia y muerte.
- Ver a un médico si usted u otras personas desarrollan fríos o gripe-como síntomas durante la cocción o en las proximidades de este aparato. Monóxido de carbono, envenenamiento, que puede confundirse fácilmente para un resfriado o gripe, a menudo se detecta demasiado tarde.
- Consumo de alcohol y consumo de drogas aumentan los efectos de la intoxicación por monóxido de carbono. "Monóxido de carbono es especialmente tóxico para la madre y el niño durante el embarazo, los bebés, ancianos, los fumadores y personas con problemas de la sangre o el sistema circulatorio, tales como anemia o enfermedades del corazón.
- Creosota: formación y necesidad de retiro. Cuando las pellets de madera se queman lentamente, producen alquitrán y otros vapores orgánicos que se combinan con la humedad expulsada para formar creosota. Los vapores de creosota se condensan en una chimenea de horno relativamente fresca y en la campana del extractor de fuego lento. Como resultado, los residuos de creosota se acumulan sobre el revestimiento de la chimenea y el escape. Cuando se encienden, esta creosota hace un fuego extremadamente caliente.
- El conducto de grasa debe revisarse por lo menos dos veces al año para determinar cuándo se ha producido acumulación de grasa y/o creosota.
- Cuando se haya acumulado grasa o creosota, debería sacarse para reducir el riesgo de incendio.
- Eliminación de cenizas: las cenizas deben colocarse en un recipiente metálico con una tapa bien ajustada. El envase de cenizas cerrado debe colocarse sobre suelo no inflamable, lejos de todos los materiales combustibles, pendiente de su disposición final. Cuando las cenizas se eliminan por entierro en la tierra o se dispersan localmente, deben conservarse en el envase cerrado hasta que todas las cenizas se hayan enfriado completamente.
- Use pellets de madera con no más de 8.700 BTU/lb y 2% de contenido de ceniza.
- No use accesorios no especificados para su uso con este aparato.

ESTA PARRILLA ES PARA USO EXTERIOR SOLAMENTE.

Guardar la parrilla:

- Desconecte el cable de alimentación del tomacorriente.
- Cocinar limpiar rejillas.
- Almacenar en lugar seco y fuera del alcance de los niños.
- Cubierta de parrilla si almacenados al aire libre.

UNA CAUSA IMPORTANTE DE INCENDIOS SI REQUERIDOS PARA MANTENER ESPACIOS LIBRES (ESPACIOS DE AIRE) A LOS MATERIALES COMBUSTIBLES. ES DE SUMA IMPORTANCIA INSTALAR ESTE PRODUCTO SOLAMENTE DE ACUERDO CON ESTAS INSTRUCCIONES.



N.º DE SERIE

**P.O. Box 30864
Sea Island, GA
31561
912-638-4724
www.CharGriller.com**



Registre su asador en línea en www.CharGriller.com para garantizar su satisfacción y obtener servicio posterior a la compra.

¡DETÉNGASE! ¡LLAME A  PRIMERO! NO DEVUELVA EL PRODUCTO A LA TIENDA.

Información sobre la Garantía – Asador de Carbón

Char-Griller® reparará o reemplazará cualquier pieza defectuosa de sus asadores/ahumadores durante un periodo de hasta un año contado a partir de la fecha de compra. Char-Griller® también reparará o reemplazará la carcasa de sus asadores/ahumadores, en caso de que el metal se oxide o queme durante un periodo de hasta cinco años.

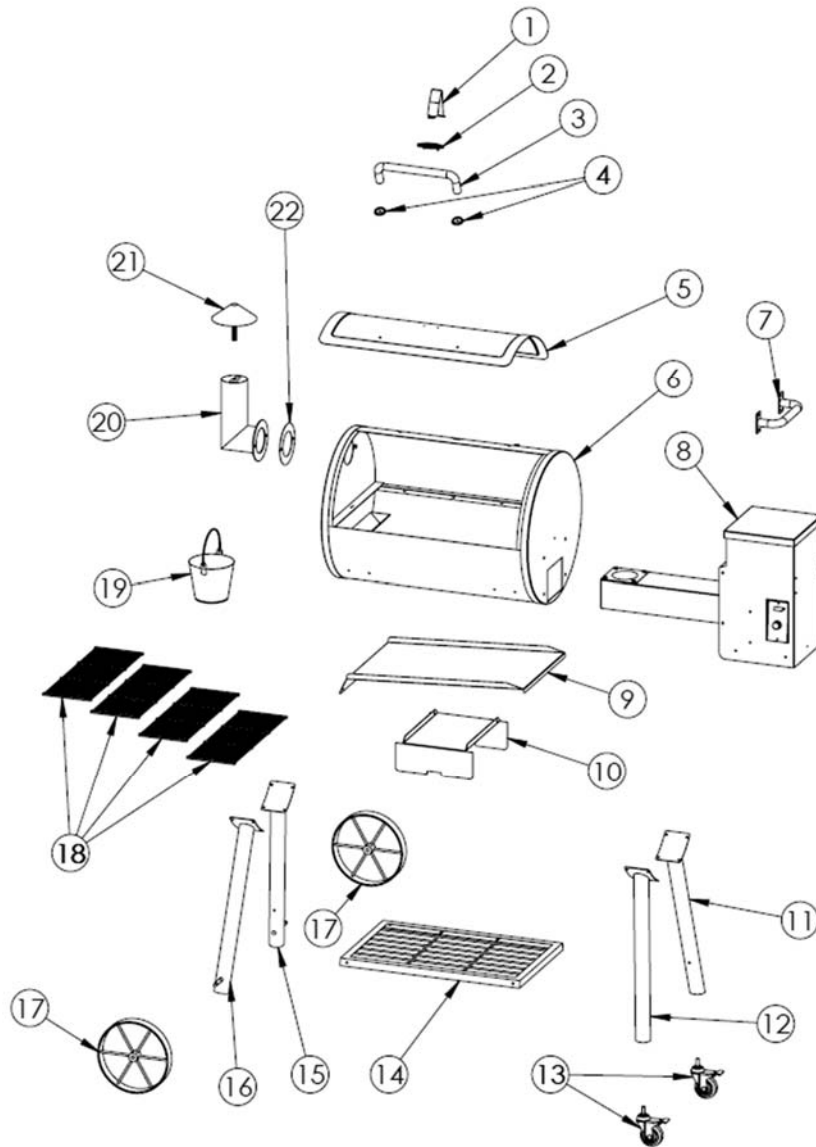
Es posible que se le solicite un comprobante de compra, constancia de fecha de compra, fotografía y el prepa- go de la devolución del artículo en cuestión. El uso indebido, abuso o uso comercial anula toda garantía. No se garantiza la pintura ni el acabado. Los productos no están garantizados contra óxido. La garantía se aplica úni- camente al comprador original cuyo nombre aparezca en la tarjeta de crédito, cheque o recibo.

La garantía corresponde únicamente al reemplazo de piezas defectuosas. El fabricante no se hace responsable de daños derivados de accidentes, alteración, uso indebido, entornos hostiles, instalación indebida, instalación no acorde a los códigos locales de servicio de la unidad.

Esta garantía limitada no cubre raspones, abolladuras, corrosión o decoloración por calor, limpiadores abradi- vos y químicos ni por cualquier componente utilizado en la instalación del artículo.

Guarde su factura para todos los reclamos de garantía. NO se aceptan devoluciones de asadores usados.

LISTA DE PIEZAS



Artículo	Descripción	Cant.
1	Tope, Cubierta	1
2	Placa con Logotipo	1
3	Asa, Cubierta	1
4	Engaste, Asa de la Cubierta	2
5	Cubierta	1
6	Conjunto Soldado del Fogón	1
7	Asa, Carrito	1
8	Sistema de Distrib. de Madera Prensada* : Ver página 25	1
9	Bandeja, Grasa	1
10	Difusor de Calor	1

Artículo	Descripción	Cant.
11	Pata, Derecha Posterior	1
12	Pata, Derecha Delantera	1
13	Rueda Giratoria de 3"	2
14	Estante Inferior	1
15	Pata, Izquierda Posterior	1
16	Pata, Izquierda Delantera	1
17	Rueda, Metálica,	2
18	Rejilla para Cocinar	4
19	Recipiente, Grasa	1
20	Base, Chimenea	1
21	Tapa, Chimenea	1
22	Empaquetadura, Chimenea	1

*Consulte desglose adicional del Sistema de Distribución de Madera Prensada en la sección Sistema de Distribución de Madera Prensada del manual.

AVISO: Tenga cerca un extintor en todo momento. Dé mantenimiento a su extintor y revíselo periódicamente.

NO SE ACEPTAN DEVOLUCIONES DE ASADORES USADOS

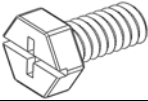



LISTA DE TORNILLERÍA Y HERRAMIENTAS NECESARIAS YQUIRED

(No Se Incluyen Herramientas)

Llave de Tuerca de 7/16"



Paquete de Tornillería: 551006

Imagen del Artículo	Descripción	Cant.
	Tornillo Hexagonal, 1/4"-20 x 1/2"	29
	Tuerca Hexagonal, 1/4"-20	2
	Arandela Plana, 1.2" diám. ext., 0.45" diám. int.	2
	Tuerca Hexagonal, 7/16"-20	2

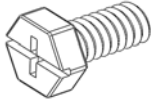
¡DETÉNGASE! ¡LLAME A  PRIMERO! NO DEVUELVA EL ARTÍCULO A LA TIENDA.

LLAME AL (912) 638-4724. Este producto se ha construido según los más altos estándares de calidad. Llámenos si tiene preguntas que estas instrucciones no hayan solucionado o para obtener información de servicio.

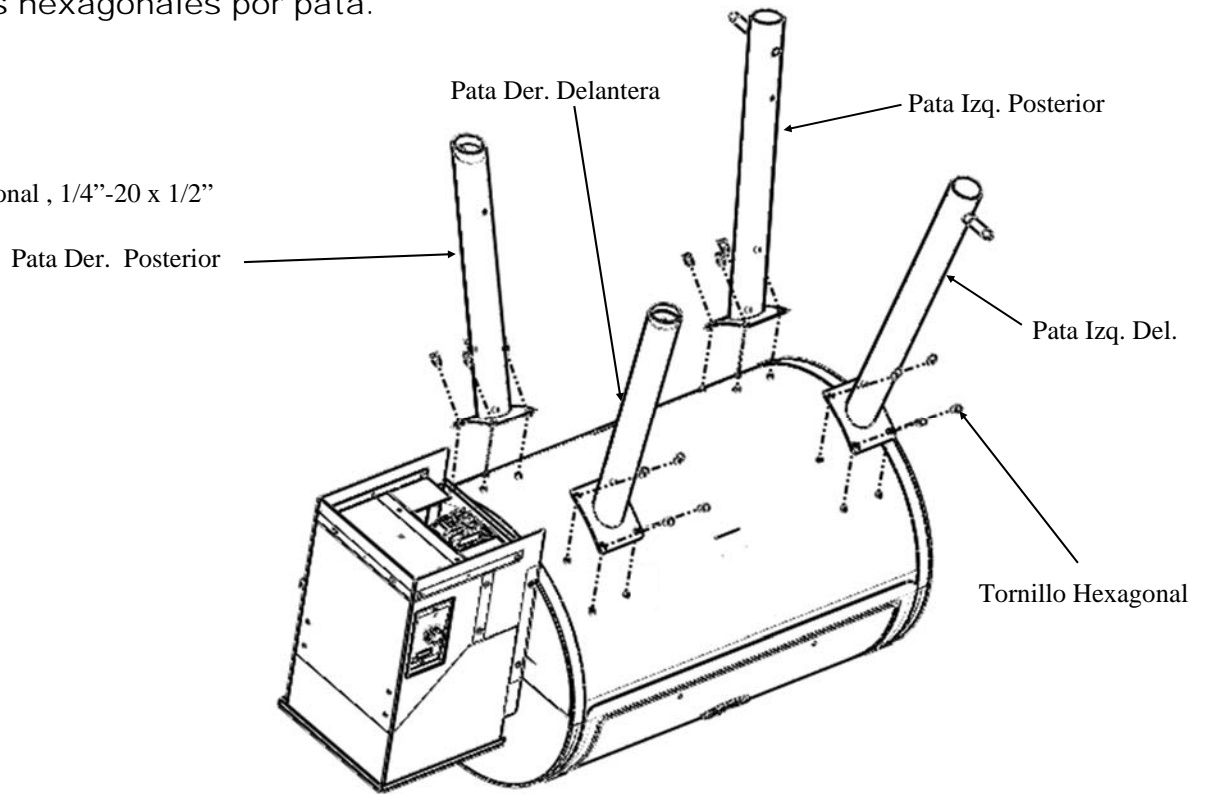
Cuando llame, tenga a mano el número de serie del asador (se ubica al reverso del cuerpo del asador o en la pata).

ENSAMBLADO DEL ASADOR

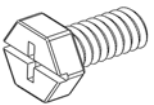
Paso 1: Pone el cuerpo de la parrilla con la parte inferior de la parrilla hacia arriba y luego las piernas de posición en el cuerpo de la parrilla como se muestra abajo y fíjelos con (4) pernos hexagonales por pata.



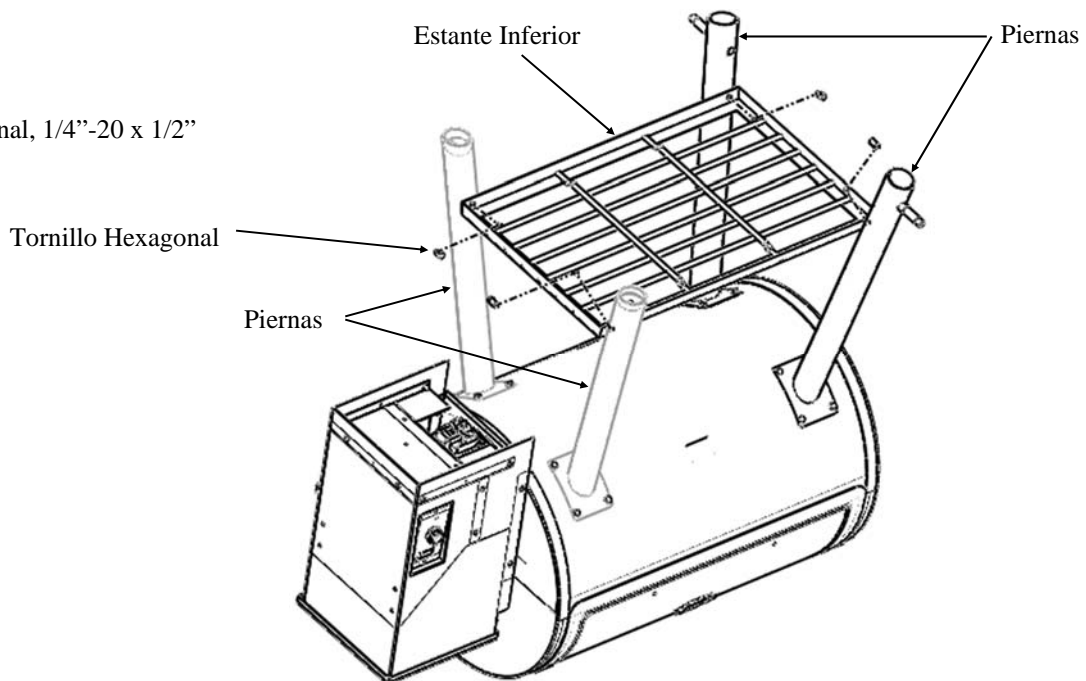
(16) Tornillo Hexagonal, 1/4"-20 x 1/2"



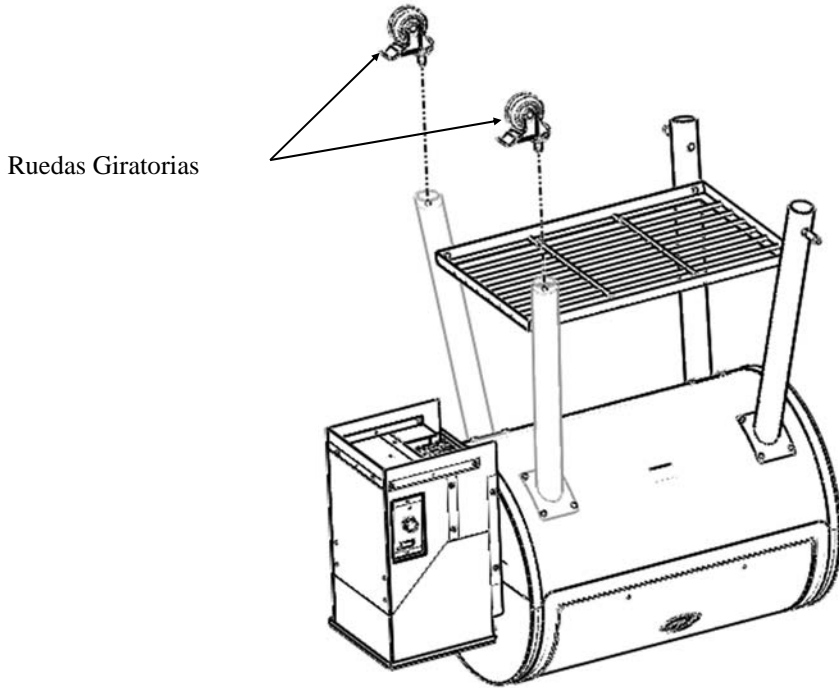
Paso 2: Lugar el estante inferior entre las piernas (4) asegurándose de que los agujeros en el estante inferior y las piernas están alineados y apriete con los pernos del maleficio (4). Inferior



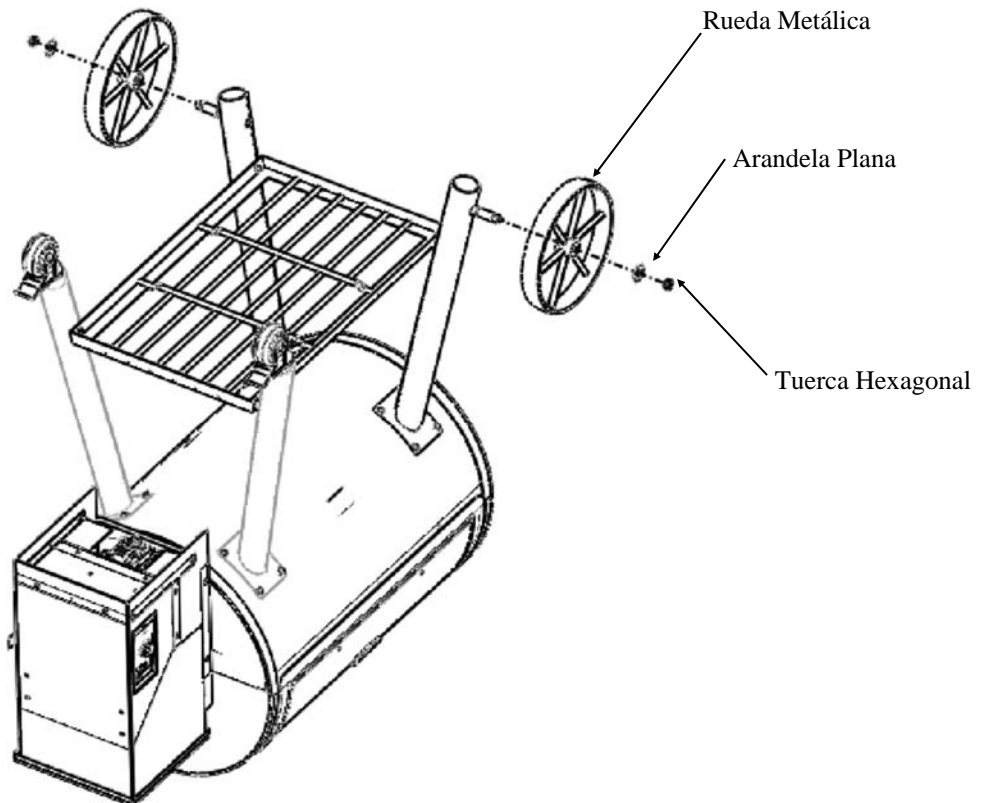
(4) Tornillo Hexagonal, 1/4"-20 x 1/2"



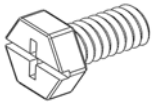
Paso 3: Acople las ruedas del echador a las tomas en la parte inferior de las dos piernas como se muestra abajo.



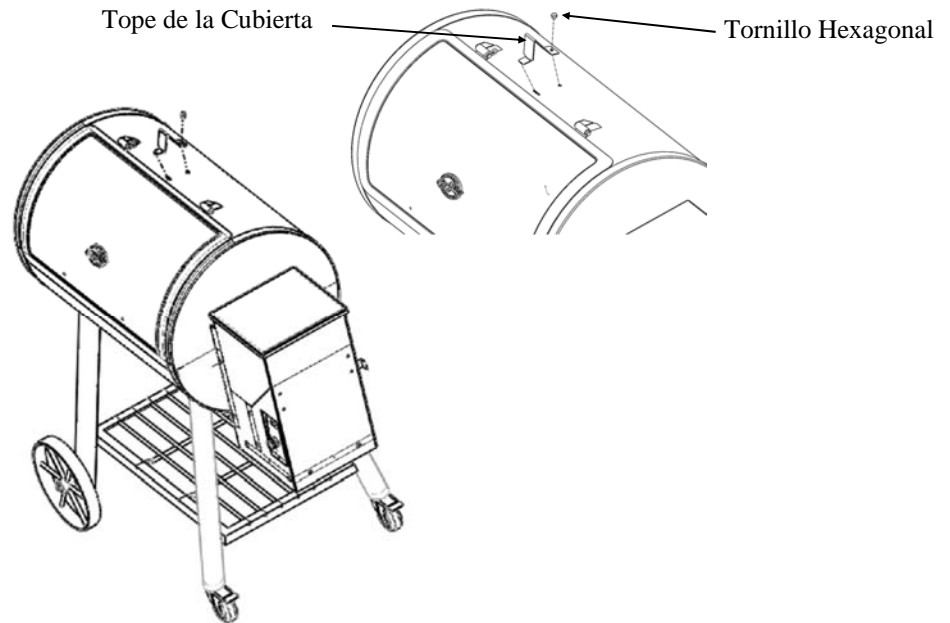
Paso 4: Lugar la rueda de Metal, arandela plana en el eje de la pierna luego apretar con las tuercas hexagonal de 7/16"-20.



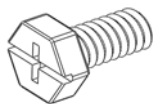
Paso 5: Inserte el borde del tope de la tapa de la ranura rectangular en el cuerpo de la parrilla, luego apriete con un perno hexagonal a través del orificio en el otro extremo del tapón de la tapa.



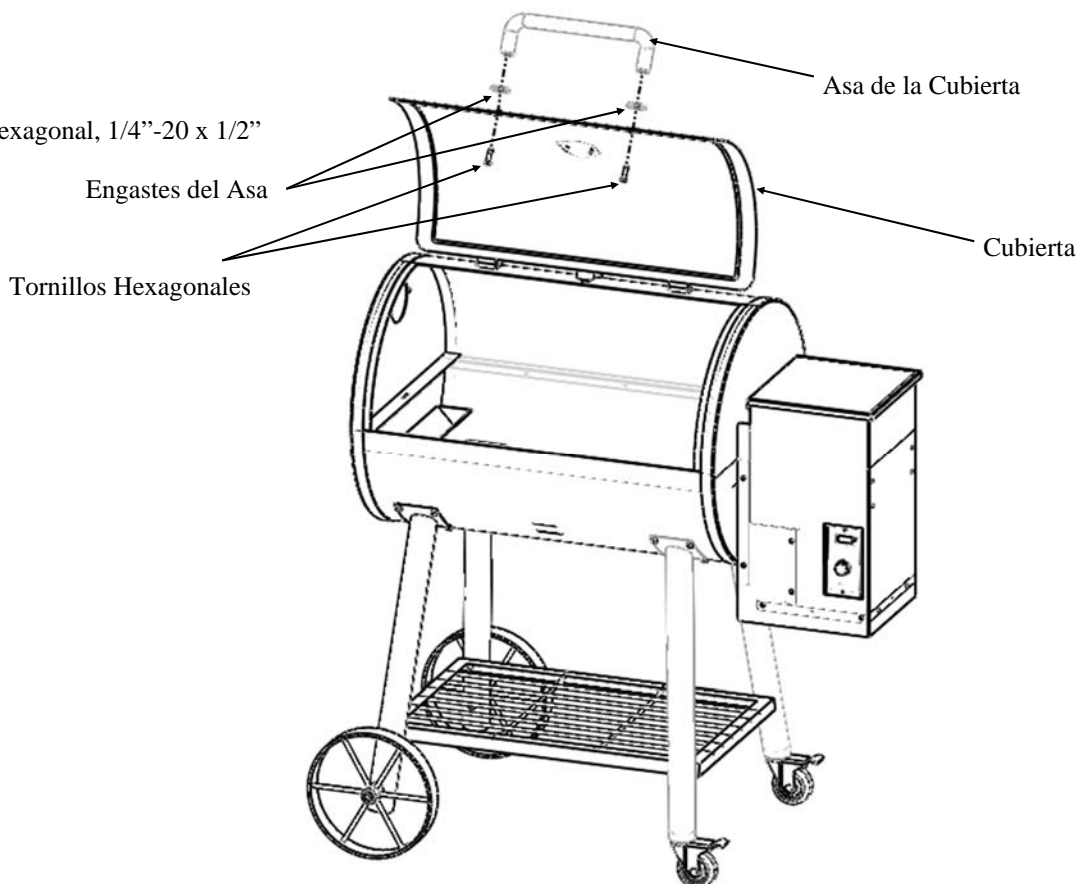
(1) Tornillo Hexagonal, 1/4"-20 x 1/2"



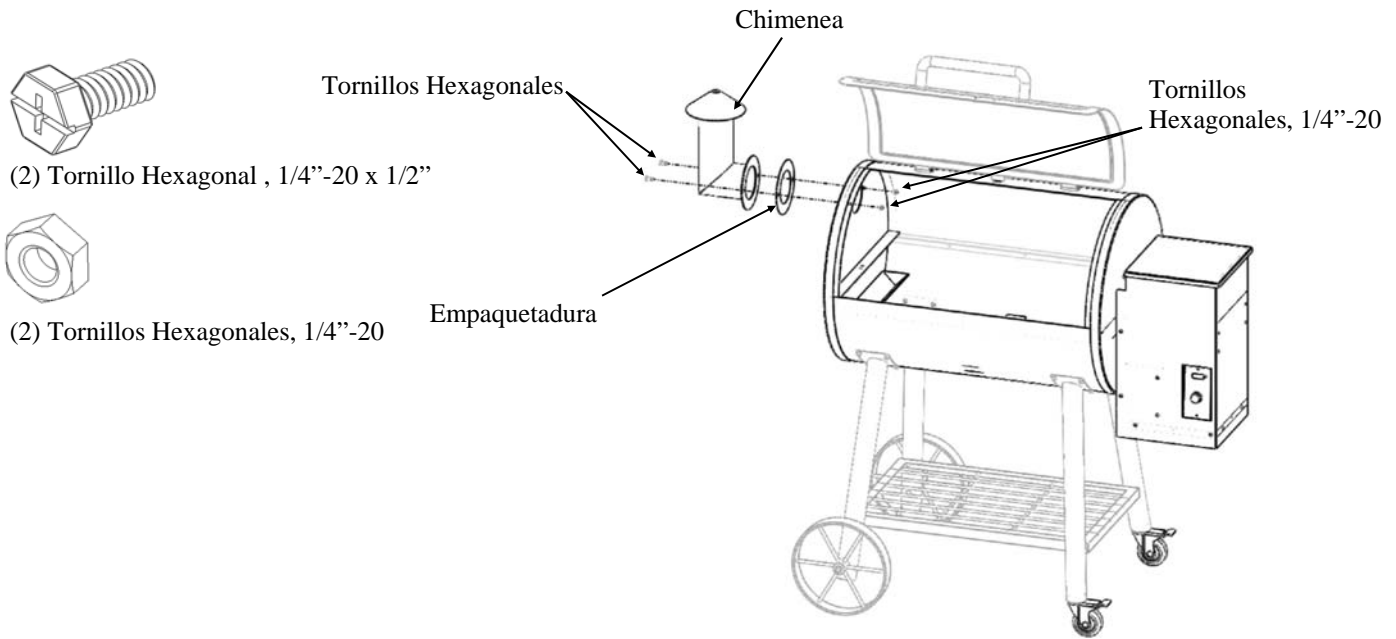
Paso 6: Coloque los embellecedores de manejar en cada extremo de la manija, colocarlos en la tapa de la parrilla luego apriételos con (2) pernos hexagonales, véase abajo.



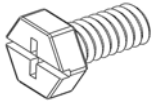
(2) Tornillo Hexagonal, 1/4"-20 x 1/2"



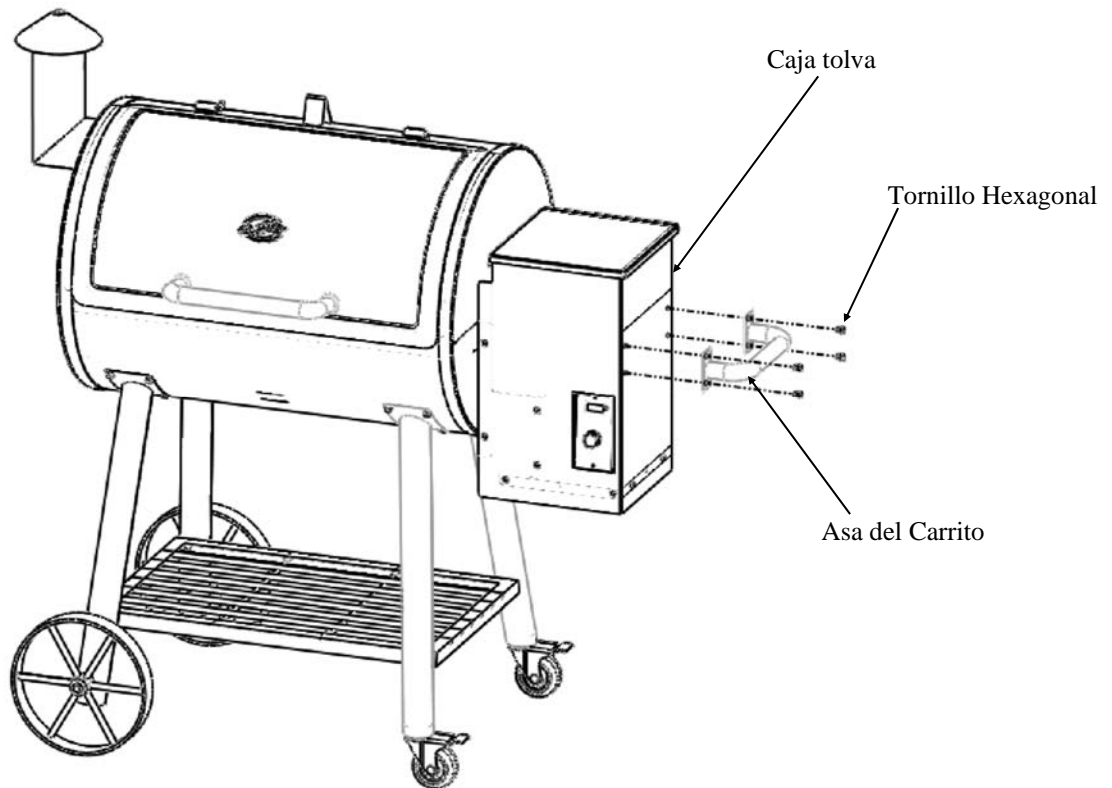
Paso 7: Una chimenea al lado del cuerpo de la parrilla frente a la caja de la tolva.



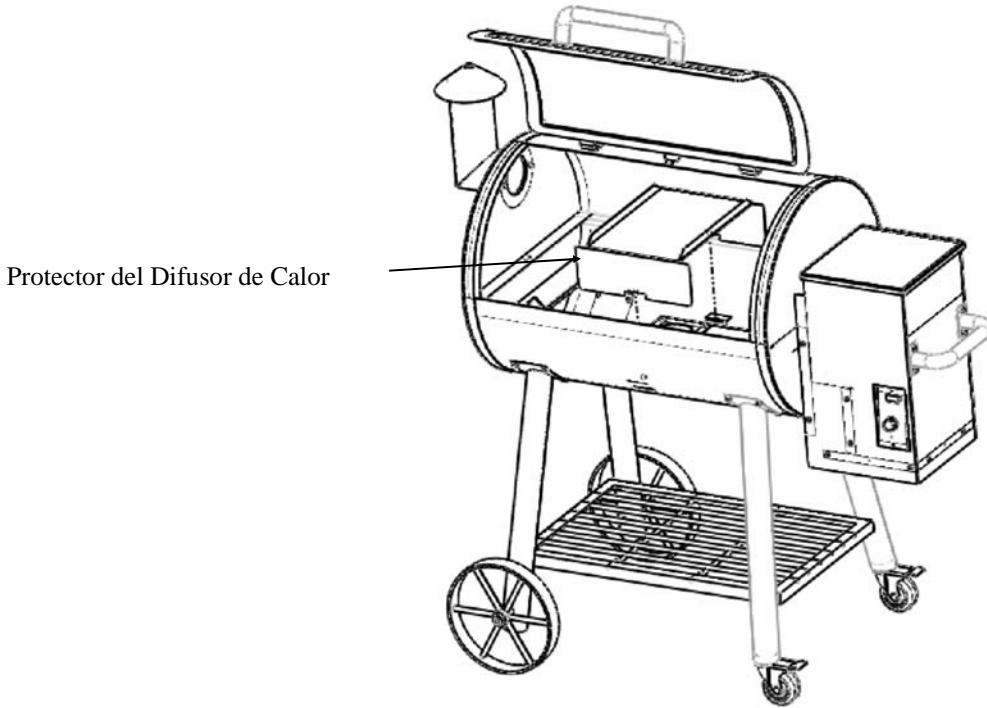
Paso 8: Fije el carro la manija en el lado de la caja de la tolva.



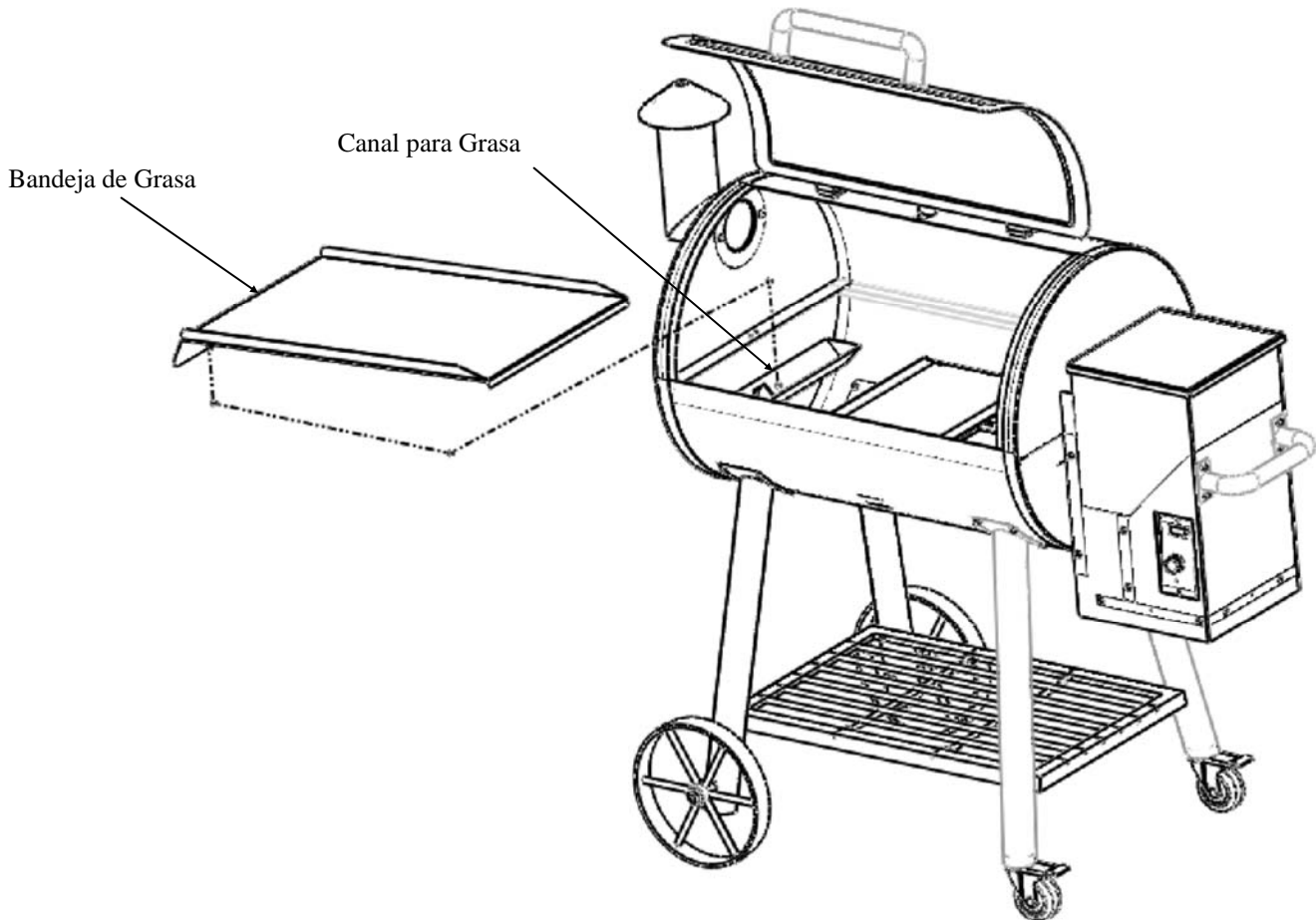
(4) Tornillo Hexagonal, 1/4"-20 x 1/2"



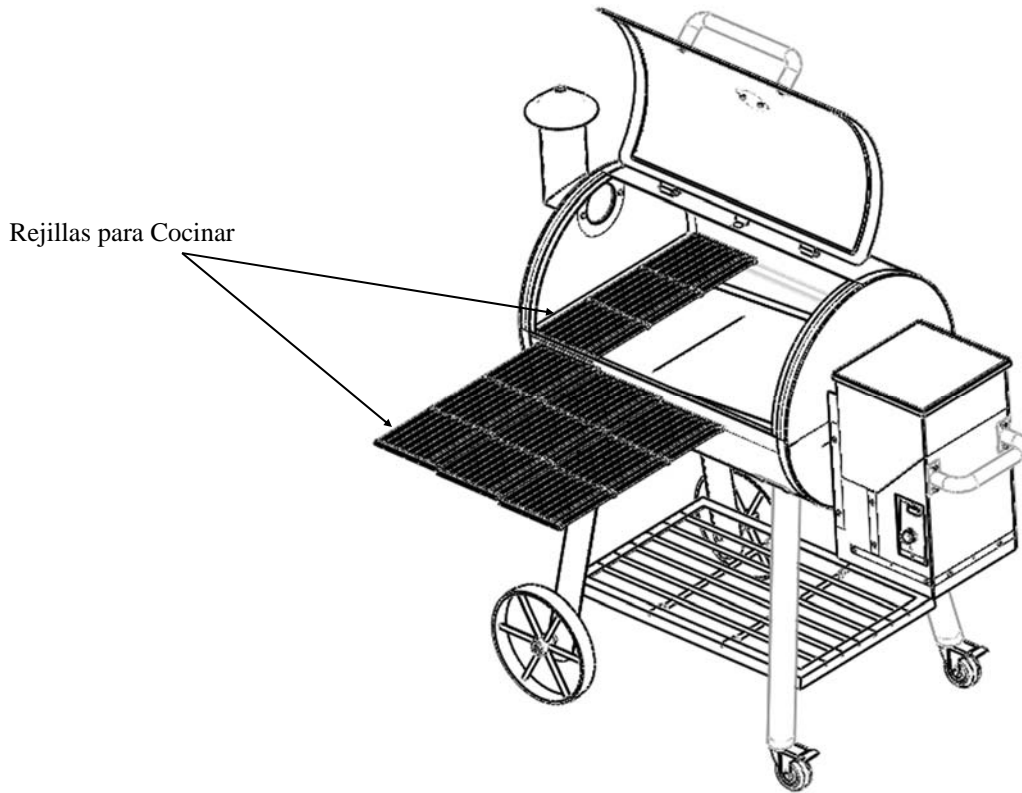
Paso 9: Lugar calor difusor escudo sobre el fuego dentro de la parrilla cuerpo de la taza en el centro de la parrilla.



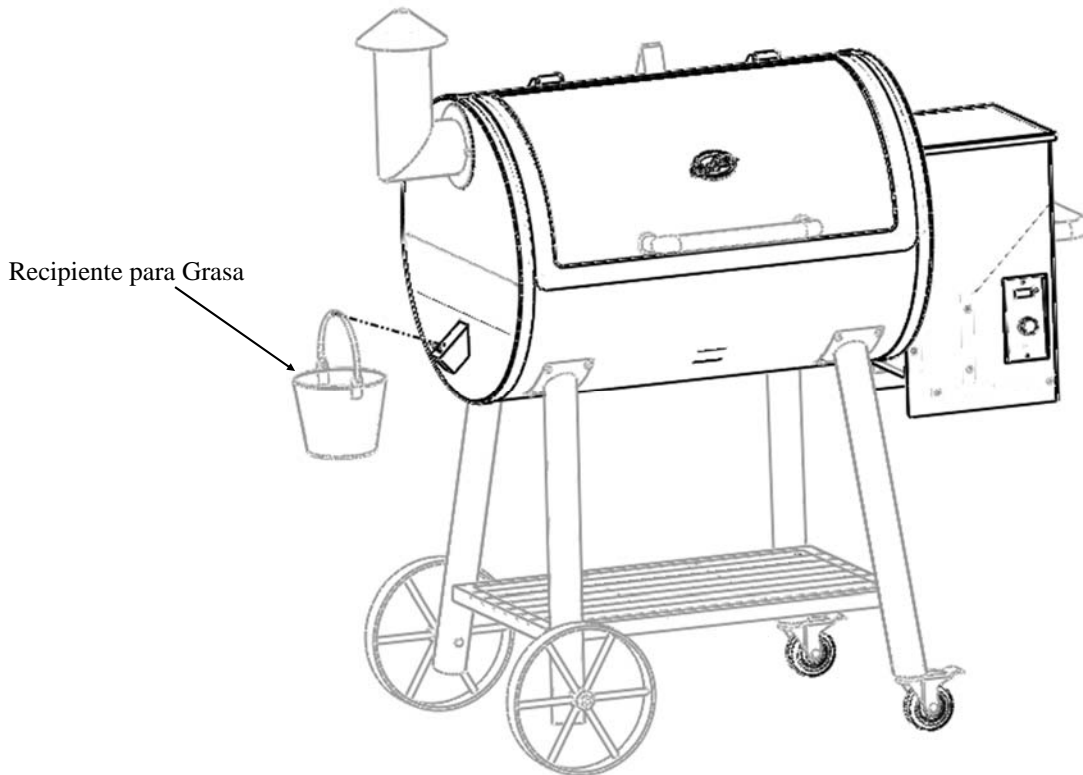
Paso 10: Coloque la bandeja de grasa en el cuerpo de la parrilla. El borde con el corte en el centro debe entra en el canal de la grasa.



Paso 11: Coloque las Rejillas para Cocinar dentro de la Caja del Fogón



Paso 12: Cuelgue el Recipiente para Grasa en la bisagra del túnel para grasa



PREPARACIÓN DEL ASADOR

Instrucciones Iniciales de Encendido

Estas instrucciones deben seguirse la primera vez que se enciende el asador y cada vez que se le agoten las bolitas de madera prensada.

- 1.) Retire las rejillas para cocinar, la bandeja para grasa, y el difusor de calor del interior del asador.
- 2.) Abra la cubierta de la tolva, ubique la barrena. Compruebe que no hayan objetos extraños en la barrena.
- 3.) Al tener el Selector de Temperatura en la posición OFF (Apagado), enchufe el cable de alimentación en un tomacorriente apropiado con conexión a tierra.
- 4.) Gire el Selector de Temperatura a la posición SMOKE (Ahumar).
Revise los aspectos siguientes:
 - A.) Que la barrena esté girando.
NO coloque los dedos u objetos en el tubo de la barrena. Puede causar lesiones graves.
 - B.) Coloque su mano sobre el tazón del fuego y perciba si hay movimiento de aire.
NO coloque su mano dentro del Tazón del fuego.
 - C.) Espere aproximadamente 1 minuto y revise si la Varilla de Combustión está roja.
NO toque la Varilla de Combustión. Está demasiado CALIENTE y puede causar quemaduras.
- 5.) Gire el Selector de Temperatura a la posición OFF (Apagado).
- 6.) Llene la tolva de bolitas de madera prensada con ese material.
Utilice únicamente combustible de pellets de madera (para mejor sabor, use Combustible Gourmet de Pellets de Madera de Char-Griller). No use combustible de pellets que esté etiquetado como que tiene aditivos.
- 7.) Gire el Selector de Temperatura a la posición HIGH (Alto). Durante la carga inicial de la Barrena, tomará algún tiempo que las bolitas recorran el trayecto hasta el tazón del fuego. Una vez las bolitas lleguen al tazón del fuego, gire el Selector de Temperatura a la posición OFF (Apagado).
- 8.) Gire el Selector de Temperatura a la posición SMOKE (Ahumar). Permita que la madera prensada llegue a encenderse con llama completa. Una vez las llamas salgan del tazón del fuego, gire el Selector de Temperatura a la posición OFF (Apagado) y deje que se enfríe el asador.
- 9.) Cuando el asador esté frío, inserte el difusor de calor, la bandeja para grasa y las rejillas para cocinar.

Cómo Condimentar en su Asador de Bolitas de Madera Prensada

Antes de cocinar cualquier alimento en el asador, DEBE haberse condimentado.

- 1.) Con la cubierta abierta, gire el Selector de Temperatura a la posición Smoke (Ahumar).
- 2.) En cerca de 2 minutos, las bolitas de madera prensada se encenderán y saldrá humo blanco/gris del asador. Cuando se hayan encendido las bolitas, cierre la cubierta, fije el Selector de Temperatura en HIGH (Alto) y deje funcionar durante 45 minutos.
- 3.) Gire el Selector de Temperatura a la posición OFF (Apagado). Su asador está ahora listo para cocinar.

Consejo Útil: Para facilidad de uso y una fácil limpieza, forre la bandeja para grasa con papel aluminio de alta resistencia. Asegúrese de que la bandeja para grasa esté fría y luego coloque la capa de papel aluminio moldeándola a lo largo de todos los bordes. El aluminio debe quedar plano y apretado contra la superficie de la bandeja para lograr un óptimo flujo de grasa. Reemplace a menudo con aluminio nuevo y deseche el anterior.

ADVERTENCIA: SIEMPRE ENCIENDA LA PARRILLA EN LA CONFIGURACIÓN DE HUMO CON LA TAPA ABIERTA. UNA VEZ QUE SE ENCIENDAN LAS PELLETS, CIERRE LA TAPA Y AJUSTE LA MANIJA DE TEMPERATURA A LA TEMPERATURA DE COCCIÓN DESEADA.

FUNCIONAMIENTO DEL ASADOR

Instrucciones para Encender el Asador

- 1.) Con la cubierta abierta, gire el Selector de Temperatura a la posición Smoke (Ahumar).
- 2.) En aproximadamente de 2 minutos, las bolitas de madera prensada se encenderán y saldrá humo blanco/gris del asador. Una vez se hayan encendido las bolitas de madera comprimida, cierre la cubierta, fije el Selector de Temperatura en HIGH (Alto) y deje funcionar durante 45 minutos

Si no se enciende el asador, realice lo siguiente:

- 1.) Gire el Selector de Temperatura a la posición OFF (Apagado). Abra la cubierta, retire todos los alimentos, las rejillas para cocinar, la bandeja para grasa y el difusor de calor.
- 2.) Retire del tazón del fuego todas las bolitas de madera prensada que no se hayan quemado y la ceniza.
NO toque la Varilla de Combustión. Esta se pone sumamente CALIENTE y puede causar quemaduras.
- 3.) Después de quitar estos artículos del asador, gire el Selector de Temperatura a la posición SMOKE (Ahumar).
Revise los siguientes aspectos:
 - A.) Confirme visualmente que la Varilla de Combustión se esté poniendo CALIENTE y roja.
NO toque la Varilla de Combustión. Se pone sumamente CALIENTE y puede causar quemaduras.
 - B.) Confirme visualmente que las bolitas de madera prensada caigan al tazón del fuego desde la barrena.
- 4.) Si la Varilla de Combustión no se pone CALIENTE o las bolitas no están cayendo desde la barrena, consulte la sección Resolución de Problemas o comuníquese con Servicio al Cliente.

Cómo Usar su Asador de Bolitas de Madera Prensada

- 1.) El Selector de Temperatura puede cambiar en cualquier momento para aumentar o disminuir la temperatura de cocción del Asador. Es mucho más fácil aumentar la temperatura del Asador que disminuirla. Una vez la temperatura de la carcasa del Asador está caliente, es mucho más difícil mantener una temperatura más baja. Deje que se enfríe la carcasa del Asador.
- 2.) La configuración SMOKE (Ahumar) es para Ahumado y para agregar Sabor de ahumado a los alimentos que se están cocinando. La configuración SMOKE (Ahumar) también puede utilizarse para mantener las temperaturas de los alimentos en aproximadamente 180°-200° F.
- 3.) El Asador de Bolitas de Madera Prensada Char-Griller está diseñado para funcionar con la Cubierta cerrada. Al cocinar con la Cubierta en la posición abierta se aumentará en gran medida el tiempo de cocción.
- 4.) Al calcular tiempos de cocción, la temperatura exterior constituirá un factor importante. Si está frío, húmedo o con viento, los tiempos de cocción serán mayores. Si afuera está caliente, los tiempos de cocción serán más cortos.
- 5.) Nunca agregue Bolitas de Madera Prensada con la mano al Tazón del Fuego. Esto es **PELIGROSO** y puede causar lesiones serias. Si el Tazón del Fuego se queda sin Bolitas de Madera Prensada, gire el Selector de Temperatura a la posición OFF (Apagado). Luego concluya las **Instrucciones Iniciales de Encendido**.
- 6.) Nunca mueva el Asador cuando esté CALIENTE. Si está transportando su Asador en un vehículo luego de cocinar en él, asegúrese de haber extinguido el fuego y que el Asador esté FRÍO antes de colocarlo en un vehículo.
- 7.) Nunca coloque agua en el Tazón del fuego. Esto causará que se atasque la Barrena.
- 8.) Asegúrese de que el Difusor de Calor esté asentado en la posición correcta. Si el Difusor de Calor no está bien asentado sobre el Tazón del fuego, la llama directa puede causar que se encienda la grasa en la Bandeja para grasa.
- 9.) Los incendios por grasa se producen porque no se limpia el Asador periódicamente. La Bandeja para Grasa, el Drenaje de Grasa en donde descansa la Bandeja para Grasa, el Tubo del Drenaje de Grasa y el Recipiente para Grasa deben limpiarse periódicamente para minimizar la acumulación de grasa. **En caso de un incendio por Grasa, gire el Selector de Temperatura a la posición OFF (Apagado) y mantenga cerrada la Cubierta hasta que se extinga el fuego por completo.** Nunca mantenga la Cubierta abierta durante un incendio por Grasa. Si no se extingue el fuego, rocíe cuidadosamente Polvo de Hornear sobre el fuego. Cuide de no quemarse. Luego cierre de nuevo la cubierta. Una vez se haya extinguido completamente el incendio por grasa y esté frío el asador, limpie toda grasa acumulada en la Bandeja para Grasa, el Drenaje de Grasa, el Tubo del Drenaje y el Recipiente para Grasa. Cambie el aluminio que cubre la Bandeja para Grasa.

NOTA: Cuando ponga a funcionar el asador, mantenga un espacio mínimo de 10" entre el Asador y los combustibles.

MANTENIMIENTO DEL ASADOR

- 1.) Se debe revisar frecuentemente si hay acumulación de grasa en el Asador de Bolitas de Madera Prensada. En los siguientes lugares es que se produce acumulación de grasa.
 - Cambie periódicamente el papel aluminio de la Bandeja para Grasa.
 - Limpie la grasa que sale del Drenaje de Grasa y del Tubo del Drenaje periódicamente y retírela de todas las superficies interiores de la carcasa del asador.
 - De vez en cuando, vacíe el Recipiente para Grasa. Forrar este componente con papel aluminio también hace que la limpieza sea más fácil.

No limpiar estas áreas puede causar acumulación de grasa y originar incendios por grasa. Asegúrese de limpiar estas áreas con regularidad.

Consejo útil: Es más fácil limpiar la Grasa del asador cuando este está caliente, pero no ARDIENDO. Tenga cuidado de no quemarse.

- 2.) Deberían limpiarse las superficies exteriores con agua jabonosa caliente. NO use limpiadores abrasivos o químicos, pues pueden dañar el acabado de la pintura.
- 3.) Según el uso, limpie la acumulación de ceniza y alrededor del Tazón del fuego. Asegúrese de que la Rejilla, la Varilla de Combustión y la ceniza estén frías antes de realizar este procedimiento.

Consejo útil: Un aspiradora puede ser útil en este procedimiento.

- 4.) Si se mantiene el Asador afuera, deben tomarse las precauciones adecuadas para garantizar que no penetre agua en la Tolva para Bolitas de Madera Prensada. Estas Bolitas absorben la humedad y se expanden considerablemente. Las Bolitas de Madera Prensada expandidas puede atascar la Barrena o causar daño. Retire de la Tolva para Bolitas de Madera Prensada cualquier Bolita expandida antes de usar.

Consejo útil: Compre una Funda hecha a la medida para el Char-Griller, Modelo 9155, para proteger su Asador de las inclemencias del tiempo.

- 5.) Lo más fácil es limpiar los restos de comida de las rejillas justo después de cocinar. **Tenga cuidado de no quemarse.** Con un cepillo para parrilla de asa larga, frote ligeramente las rejillas para eliminar cualquier resto de comida.



FUNDA para ASADOR 9155
Hecha a la medida
Resistente a las condiciones del clima

CONTROL DIGITAL DEL ASADOR

El Control Digital del Asador regula la selección de temperatura deseada. La siguiente información le proporcionará los conocimientos para usar correctamente su controlador.

Información General

Pantalla de Cristal Líquido (LCD)	Muestra la temperatura del Asador, las configuraciones de ahumado, las configuraciones de alimentación de combustible en inactividad, el estado del encendedor, el estado de temperatura baja y mensajes de error.
Selector de Temperatura	Seleccione Off (Apagado), Smoke (Ahumar) o una de las nueve Temperaturas con que cocinará el Asador.
Selector de Control de Ahumado	Seleccione uno de los ocho modos de ahumado/velocidades de alimentación de combustible en inactividad.
Modo Cocción	La temperatura del asador se supervisa continuamente y el controlador maneja el ventilador de aspiración para mantener una temperatura constante en el Asador. Consulte la sección MODO DE COCCIÓN del manual para obtener más información.
Modo Ahumar	En el Modo Ahumar, el Asador funciona a Baja Temperatura para proporcionar un ahumado máximo. El Selector de Ahumar tiene varias Configuraciones "P" para permitir más o menos ahumado. Consulte la sección AHUMADO del manual para obtener más información.

Cómo Entender las Lecturas de la Pantalla LCD

888	Cuando el Asador se conecta corriente alterna, aparece '888' momentáneamente.
Temperatura	En los modos Ahumar y Cocinar, la temperatura del asador se muestra en incrementos de 5 grados (°F).
Temperatura Parpadeante	En el Modo Ahumar, la temperatura mostrada parpadea si la temperatura del asador es menor a 110°F. En el Modo Cocinar, la temperatura mostrada parpadea si la temperatura del asador es menor a 150°F.
Puntos Parpadeantes	El encendedor está activado.
Configuraciones 'P' P0-P7	Cuando el Selector de Temperatura está en la posición Ahumar, se ajusta el Selector del Control de Ahumado, la configuración de ahumado se mostrará durante 3 segundos. Cuando el Selector de Temperatura está en el Modo Cocinar, la configuración de velocidad de alimentación de combustible en inactividad se muestra durante 3 segundos.
'ErH' Parpadeante	La temperatura del asador ha superado 570°F. La Barrena, el Encendedor y el Ventilador de Aspiración se han apagado. Gire el Selector de Temperatura a OFF (Apagado), Abra la Cubierta, espere de 1 a 2 minutos y luego seleccione la configuración deseada.
'ErP' Parpadeante	El Selector de Temperatura no estaba en la posición Off (Apagado) cuando se conectó el asador con corriente alterna. Gire el Selector de Temperatura a OFF (Apagado), espere 2 segundos y luego seleccione la configuración deseada.

CONTROL DIGITAL DEL ASADOR

Cómo Conectar el Asador con Alimentación de CA

- 1.) El Selector de Temperatura debe estar en la posición OFF (Apagado).
- 2.) Enchufe el cable de alimentación a un tomacorriente apropiado con conexión a tierra.
- 3.) Si aparece 'ErP', el Selector de Temperatura no se fijó en OFF (Apagado). Esto causa un error de inicio involuntario, lo que detiene la secuencia de encendido. Para borrar el error, gire el Selector de Temperatura a la posición OFF (Apagar), espere 2 segundos y luego fije la temperatura de cocción deseada.
Esta función impide que se produzcan inicios involuntarios. Por ejemplo, si el Asador se encontraba en el garaje y se enchufa accidentalmente, no se encendería el Asador.
- 4.) Si hay puntos parpadeantes en la pantalla LCD, la ignición está activada. La secuencia de ignición fue exitosa.

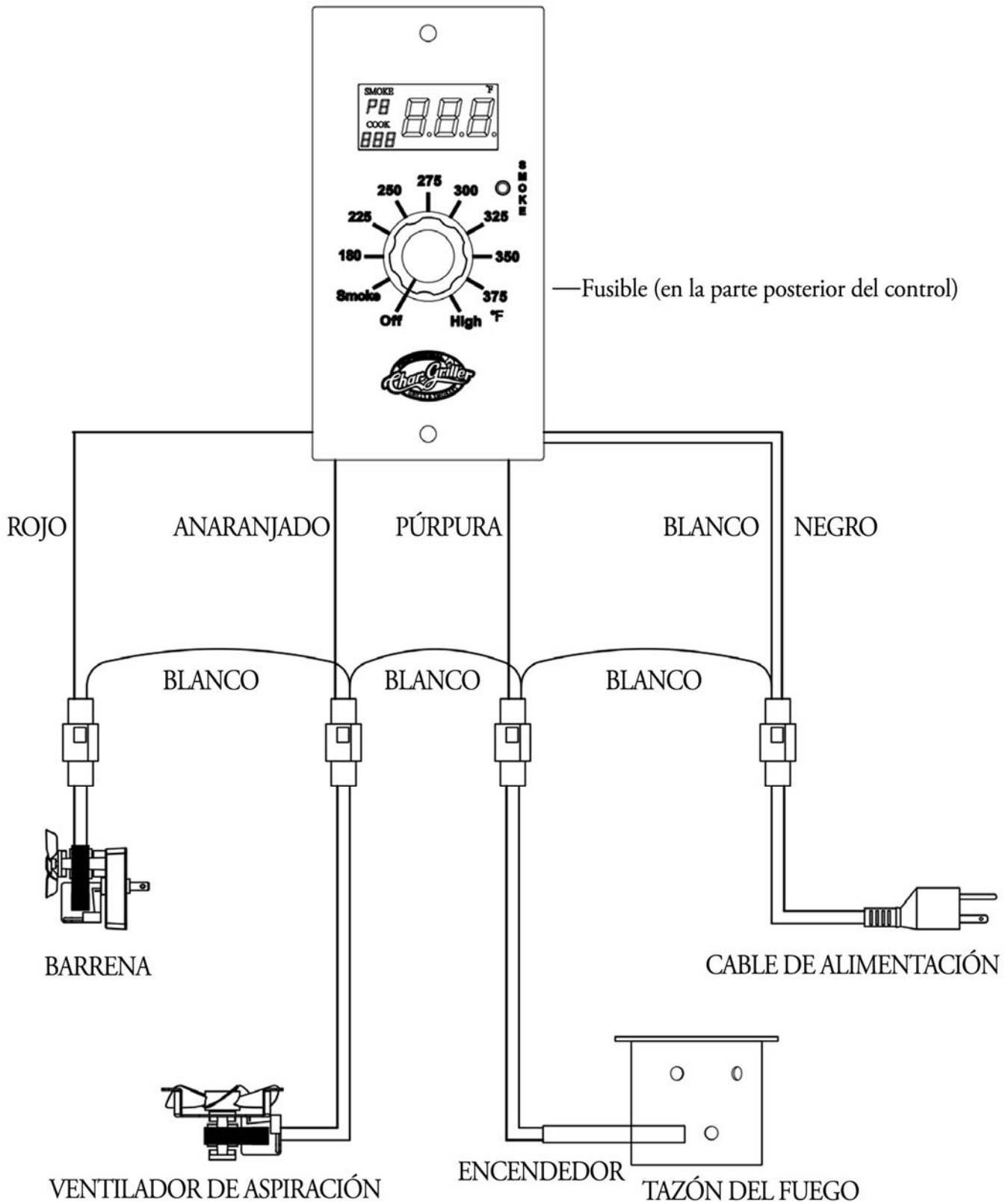
Nota: No use la parrilla en húmedos o lluviosos.

Secuencia de Ignición

- 1.) Fije el Selector de Temperatura en SMOKE (Ahumar) o en cualquier temperatura deseada.
- 2.) La secuencia de ignición es la siguiente:
 - A.) El ventilador de aspiración se enciende.
 - B.) El encendedor se activa.
 - C.) La barrena de alimentación de combustible se enciende y distribuye combustible continuamente durante 4 minutos.
 - D.) El encendedor se apaga después de 5 minutos.
- 3.) Una vez el encendedor se ha apagado, el Asador funciona en su modo seleccionado. Se apagarán los puntos parpadeantes.

Diagrama de Cableado del Control Digital

CONTROL DIGITAL



MODOS AHUMAR / COCINAR

Cuando el Selector de Temperatura está en SMOKE (Ahumar), el asador mantiene una temperatura baja y produce la cantidad deseada de humo para aumentar el sabor de las comidas.

Ahumado

- 1.) Fije el Selector de Temperatura en SMOKE (Ahumar). La pantalla LCD mostrará la Temperatura actual del Asador.
- 2.) Use el Selector de Control de Ahumado para fijar la Configuración de Ahumado, P0-P7. La Configuración de Ahumado se mostrará durante la Temperatura actual del Asador. Vea 'Cómo Entender el Modo Ahumar / la Velocidad de Alimentación de Combustible en Inactividad' para obtener más información sobre las Configuraciones de Ahumado.
- 3.) Una vez se apaga el encendedor, la barrena distribuye combustible a una velocidad constante determinada por la Configuración de Ahumado.
- 4.) Si la temperatura del Asador está parpadeando, esto es indicativo de que la temperatura es inferior a 110 °F. Con esto se alerta al operador sobre que existe algún riesgo de que se extinga el fuego. No se trata de una condición de error y no afecta el funcionamiento del asador.
- 5.) Si la temperatura del Asador es mayor que 570 °F, se muestra un 'ErH' parpadeante, lo que indica un error de límite alto y se desconectará el asador.

Cocción

- 1.) Fije el Selector de Temperatura en la temperatura deseada. La pantalla LCD mostrará la temperatura actual del Asador.
- 2.) Una vez el encendedor se apague, la barrena funciona continuamente hasta que se alcance la temperatura fijada, luego funciona a la velocidad de alimentación de combustible en inactividad. Si la temperatura medida del asador es inferior a la temperatura fijada, la barrena funciona continuamente. Si la temperatura medida del asador es igual o superior a la temperatura fijada, la barrena funciona a la velocidad de alimentación de combustible en inactividad.
- 3.) Si la temperatura del Asador está parpadeante, esto es indicativo de que la temperatura es inferior a 150 °F. Con esto se alerta al operador sobre que existe algún riesgo de que se extinga el fuego. No se trata de una condición de error y no afecta el funcionamiento del asador.
- 4.) Si la temperatura del Asador es mayor que 570 °F, se muestra un 'ErH' parpadeante, lo que indica un error de límite alto y se desconectará el asador.

Configuración de Temperatura Alta - Si el Selector de Temperatura está fijado en HIGH (Alto), el asador funciona a 450 °F. Si el asador no puede alcanzar los 450 °F debido a la temperatura ambiente y a la humedad, el tipo y la calidad del combustible, o bien, a características térmicas del asador, la barrena alimentará continuamente con combustible y permitirá al asador funcionar a su Máxima Temperatura.

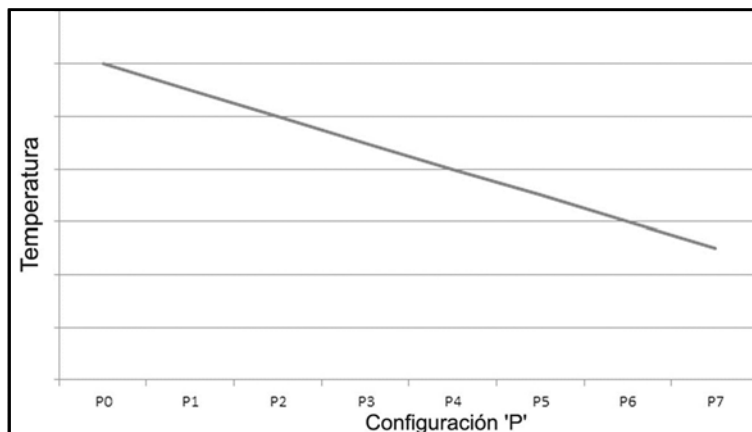
Velocidad de Alimentación de Combustible en Inactividad - La velocidad de alimentación de combustible en inactividad es la velocidad con que la barrena distribuye el combustible mientras el asador está inactivo en la temperatura fijada. En el Modo Cocinar, puede ajustar manualmente la velocidad de alimentación de combustible en inactividad por medio del Selector del Control de Ahumado. Consulte 'Cómo entender el Modo Ahumar/la Velocidad de Alimentación de Combustible en Inactividad' para obtener más información.

CÓMO ENTENDER EL MODO AHUMAR/VELOCIDAD DE ALIMENTACIÓN DE COMBUSTIBLE EN INACTIVIDAD

El Modo Ahumar y la Velocidad de Alimentación de Combustible en Inactividad se controlan por medio del Selector de Control de Ahumado.

Durante el Modo Ahumar y la Etapa de Inactividad del Modo Cocinar, la Barrena se enciende, distribuye combustible durante 18 segundos y luego se apaga. El tiempo de apagado se fija mediante el Selector del Control de Ahumado, que muestra una configuración 'P'. Cuando se ajusta el Selector del Control de Ahumado, la configuración 'P' correspondiente se muestra en la pantalla LCD momentáneamente. Hay ocho Configuraciones 'P', que varían de P0 a P7.

Configuración 'P'	Barrena Enc	Barrena Apg
P0	18 segundos	55 segundos
P1	18	70
P2	18	85
P3	18	100
P4	18	115
P5	18	130
P6	18	140
P7	18	150



Aumentar el valor 'P' disminuye la velocidad de alimentación de combustible, lo que produce un descenso en la temperatura del Asador. Ajuste la configuración 'P' para la temperatura deseada o la producción de humo. **Para una cocción sin problemas, P2 es la configuración recomendada.**

Al disminuir el valor 'P' se incrementa la velocidad de alimentación de combustible, lo que produce una mayor temperatura del Asador.

Cuanto más alto sea el valor 'P', más baja será la temperatura y, como resultado, mayor será el humo.

Según la temperatura ambiente, la humedad y la velocidad del viento, se desearía una configuración 'P' menor. En condiciones frías, húmedas o con viento, un valor demasiado alto de 'P' podría causar una temperatura demasiado baja del Asador y causar que el fuego se extinga.

La configuración P también controla la velocidad de alimentación de combustible en inactividad del Modo Cocinar. Por ejemplo, en el Modo Ahumar, la configuración 'P4' distribuye combustible durante 18 segundos, luego se apaga durante 115 segundos y se compensa en el Modo Ahumar. En el Modo Cocinar, la configuración 'P4' también distribuye combustible durante 18 segundos, luego se apaga durante 115 segundos y repite.

Velocidad de Alimentación de Combustible en Inactividad en el Modo Cocinar

La velocidad de alimentación de combustible en inactividad es la velocidad de la distribución de combustible que mantiene el fuego en el tazón del fuego sin elevar la temperatura del asador.

En el Modo Cocinar, cuando la temperatura del asador es igual o mayor que la temperatura fijada, la barrena funciona a la velocidad de alimentación de combustible en inactividad. Si la temperatura del asador está por debajo de la temperatura fijada, la barrena funciona continuamente.

Velocidad de Alimentación de Combustible en Modo Ahumar

En el Modo Ahumar, aumentar la configuración P disminuye la velocidad de alimentación de combustible, con lo que se reduce la temperatura del asador. Ajuste manualmente la configuración P para alcanzar la temperatura y producción de humo deseadas.

RESOLUCIÓN DE PROBLEMAS

Modos y Mensajes de Error del Panel de Control

Temperatura Parpadeante	<p>En el Modo Ahumar, la temperatura parpadea si la temperatura del asador es menor que 110°F.</p> <p>En el Modo Cocinar, la temperatura parpadea si la temperatura del asador es menor que 150°F.</p> <p>No se trata de una condición de error y no afecta el funcionamiento del asador. La pantalla parpadeante está diseñada para alertar al operador sobre que existe algún riesgo de que se extinga el fuego.</p>
Puntos Parpadeantes	<p>El encendedor está activado.</p> <p>No se trata de una condición de error y no afecta el funcionamiento del asador. Los puntos parpadeantes están diseñados para alertar al usuario sobre que el encendedor del asador está activado.</p>
'ErH' Parpadeante	<p>La temperatura del asador ha superado 570°F. La Barrena, el Encendedor y el Ventilador de Aspiración se han apagado. Para borrar el error, gire el Selector de Temperatura a OFF (Apagado), Abra la Cubierta, espere de 1 a 2 minutos y luego seleccione la configuración deseada. Si esto no elimina el error, el detector de temperatura no está funcionando correctamente. Consulte la sección Resolución de Problemas de este manual.</p>
'ErP' Parpadeante	<p>El Selector de Temperatura no estaba en la posición Off (Apagado) cuando se conectó el asador con alimentación CA. Gire el Selector de Temperatura a OFF (Apagado), espere 2 segundos y luego seleccione la configuración deseada. Esta función impide que se produzcan inicios involuntarios. Por ejemplo, si el asador se encontraba en el garaje y se enchufa accidentalmente, no se encendería.</p>

La Temperatura del Asador cuando se fija en 180 Grados es muy Alta

La velocidad de alimentación de combustible en inactividad de la Barrena es demasiado alta. Aumente la Configuración P del Control de Ahumado para disminuir la velocidad de alimentación de combustible en inactividad. Por ejemplo, si su configuración P está fijada en P2, mueva la configuración P a P4.

Se Muestra una Temperatura del Asador Inesperada

La velocidad de alimentación de combustible en inactividad de la Barrena es demasiado alta o demasiado baja.

Si la temperatura es **más alta de lo esperado, aumente la configuración P.**

Si la temperatura es **más baja de lo esperado, disminuya la configuración P.**

RESOLUCIÓN DE PROBLEMAS

La Pantalla LCD No Se Enciende

Revise los siguientes aspectos:

- 1.) Verifique que haya electricidad en el tomacorriente en donde se enchufa el asador.
- 2.) Si el Cable de Alimentación está conectado a un tomacorriente de GFI (Interrupción de falla a tierra), revíselo y reinícielo, de ser necesario.
- 3.) Asegúrese de que el Selector de Temperatura esté en la configuración OFF (Apagado).
- 4.) Gire el Selector de Temperatura a Smoke (Ahumar).

Si aún así no enciende la Pantalla LCD, comuníquese con Servicio al Cliente para obtener ayuda adicional en resolución de problemas.

El Tomacorriente de GFI Sigue Disparándose

- 1.) Asegúrese de no estar saturando un cable de extensión de 25'. (El asador debe mantenerse a un mínimo de 3' de distancia de cualquier estructura.) El calibre de cable mínimo recomendado es el 12.

El Asador no Enciende

Revise los siguientes aspectos:

- 1.) Verifique que haya electricidad en el tomacorriente en donde se enchufa el asador.
- 2.) Si el Cable de Alimentación está conectado a un tomacorriente de GFI (Interrupción de falla a tierra), revíselo y reinícielo, de ser necesario.
- 3.) Gire el Selector de Temperatura a la posición OFF (Apagar).
- 4.) Gire el Selector de Temperatura a la posición SMOKE (Ahumar).
 - A.) Si la Pantalla LCD se enciende, entonces realice los pasos siguientes.
 - B.) Si la pantalla LCD no se enciende, el asador no tiene alimentación eléctrica. Regrese al paso 1.
- 5.) Gire el Selector de Temperatura a la posición OFF (Apagado). Abra la Cubierta, retire todos los alimentos, las Rejillas para Cocinar, la Bandeja para Grasa y el Difusor de Calor.
- 6.) Retire del Tazón del fuego todas las Bolitas Madera Prensada que no se hayan quemado y la ceniza.

NO toque la Varilla de Combustión. Se pone sumamente CALIENTE y puede causar quemaduras.
- 7.) Al haber retirado los componentes del Asador, gire el Selector de Temperatura a la posición SMOKE (Ahumar).
 - A.) Confirme visualmente que la Varilla de Combustión se esté poniendo CALIENTE y Roja.

NO toque la Varilla de Combustión. Se pone sumamente CALIENTE y puede causar quemaduras.
 - B.) Confirme visualmente que las Bolitas de Madera Prensada estén cayendo en el Tazón del fuego desde la Barrena.

Si la Varilla de Combustión no se está poniendo CALIENTE ni Roja:

- A.) Es posible que la Varilla de Combustión tenga falla. Comuníquese con Servicio al Cliente de Char-Griller. Consulte las Instrucciones de Encendido del Manual para enterarse de la secuencia de encendido, en caso falle la Varilla de Combustión.
- B.) Es posible que haya fallado el Tablero de Control. Comuníquese con Servicio al Cliente de Char-Griller.

Continúa en la página siguiente.

RESOLUCIÓN DE PROBLEMAS

Continuación.

Si las Bolitas de Madera Prensada no están cayendo desde la Barrena:

- 1.) Gire el Selector de Temperatura a la posición Off (Apagado) y desenchúfelo de la pared.
- 2.) Revise la Barrena en busca de objetos, obstrucciones o bolitas de madera prensada que estén expandidas.

Si no hay obstrucciones:

- A.) Es posible que haya fallado el motor de la barrena. Comuníquese con Servicio al Cliente de Char-Griller.
- B.) Es posible que tenga falla el Tablero de Control. Comuníquese con Servicio al Cliente de Char-Griller.

Se Apaga el Fuego del Asador en la Configuración 'SMOKE' (Ahumar)

El problema puede ser que haya ceniza en el Tazón del fuego.

- 1.) Asegúrese de que el Asador esté frío, luego abra la Cubierta, retire las Rejillas para Cocinar, la Bandeja para Grasa y el Difusor de Calor.
- 2.) Retire toda la ceniza y las Bolitas de Madera Prensada que no estén quemadas dentro y alrededor del Tazón del fuego.
Asegúrese de que el Asador esté FRÍO para evitar un INCENDIO causado por ceniza CALIENTE.
- 3.) Vuelva a colocar el Difusor de Calor, la Bandeja para Grasa y las Rejillas para Cocinar.
- 4.) Inicie el arranque.

Si no se resuelve el problema, comuníquese con Servicio al Cliente de Char-Griller para enterarse más sobre la Resolución de Problemas.

Las Bolitas de Madera Prensada no se distribuyen hacia el Tazón del fuego

Revise los siguientes aspectos:

- 1.) Verifique que haya Bolitas de Madera Prensada en la Tolva para Madera Prensada.
Si se trata esta de la Secuencia Inicial de Combustión o el Asador se ha quedado sin Bolitas de Madera Prensada, espere algún tiempo para que las Bolitas de Madera Prensada carguen la Barrena. (Puede demorar hasta 7 minutos.)
- 2.) Inicie el arranque. **Vea las Instrucciones Iniciales de Combustión** en el Manual del Propietario.
- 3.) Si el Motor de Accionamiento de la Barrena no está funcionando, pero sí lo está el Ventilador de Inducción de Aspiración, el problema está en el sistema de la Barrena.

Para revisarlo, realice lo siguiente:

- A.) Con el Selector de Temperatura en la posición Off (Apagado), ubique la pequeña Aspa del Ventilador en la parte posterior del Motor de Accionamiento de la Barrena.
- B.) Mientras observa el aspa del ventilador, con las manos despejadas y libres de todas las piezas móviles, gire el Selector de Temperatura a SMOKE (Ahumar). Si no se mueve el Aspa del Ventilador, esto confirma que tiene defecto el Motor de Accionamiento de la Barrena y necesitará cambio. Comuníquese con Servicio al Cliente de Char-Griller para colocar un pedido.
- C.) Si el Aspa del Ventilador gira un poco, entonces deténgase, continúe observando y gire el Selector de Temperatura a OFF (Apagar). Si el Aspa del Ventilador gira levemente en sentido opuesto, esto confirma que hay un atascamiento en el sistema de la Barrena que necesita despejarse.

Desconecte el Cable de Alimentación del tomacorriente y retire las Bolitas de Madera Prensada de la Tolva. Revise si hay objetos extraños y Bolitas mojadas/expandidas, pues por ambos motivos se puede causar un atascamiento de la Barrena.

Cómo Proteger el Acabado de la Pintura

Cuando no lo tenga en uso, proteja el acabado del Asador con una Funda para Asador. Char-Griller ofrece Fundas para Asador hechas a la medida, modelo 9155.

Use pintura de retoque para cualquier superficie en donde la pintura se haya rayado o descascarado. Ello minimizará el óxido.

RESOLUCIÓN DE PROBLEMAS

Instrucciones de Encendido Manual

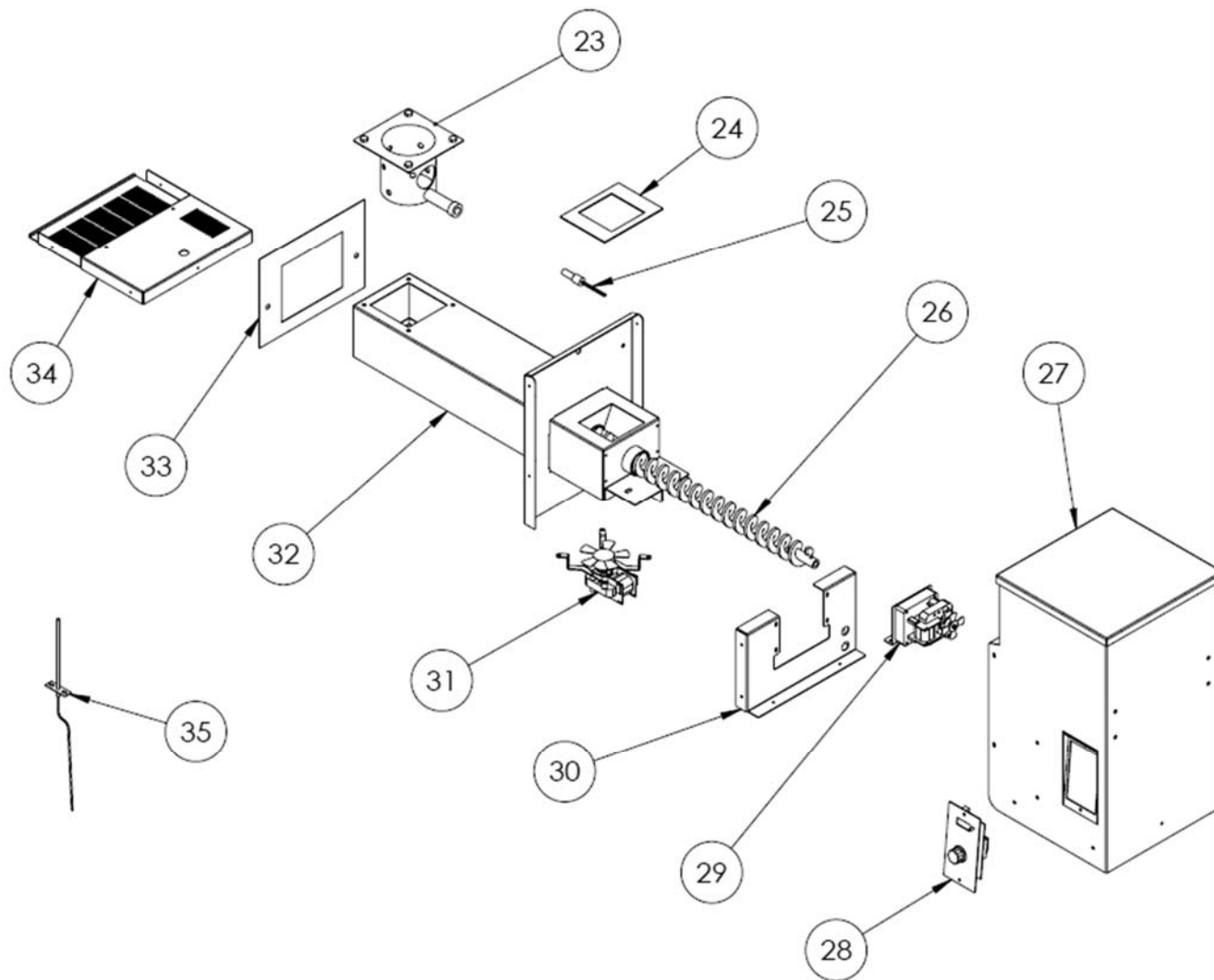
Si la Varilla de Combustión no está funcionando, aún así el Asador se puede usar para cocinar y ahumar por medio del Procedimiento de Encendido Manual, según se detalla a continuación.

- 1.) Asegúrese de que el Selector de Temperatura esté girado hacia la posición OFF (Apagado) y que el cable de la Varilla de Combustión esté desconectado del Control Digital. (Cable en colores púrpura/blanco). Consulte la página de la sección Diagrama de Cableado del Control Digital de este manual para tener acceso a un diagrama de cableado.
- 2.) Abra la Tolla para Bolitas de Madera Prensada y llénela con ese material.
- 3.) Retire las Rejillas para Cocinar, la Bandeja para Grasa y el Difusor de Calor para dejar expuesto el Tazón del fuego.
- 4.) Vierta aproximadamente 1/2 taza de Bolitas de Madera Prensada directamente en el Tazón del fuego.
- 5.) Eche 2 cucharadas de encendedor en gel a base de alcohol en el Tazón del fuego en la parte superior de las Bolitas de Madera Prensada.

ADVERTENCIA: Nunca coloque Alcohol en Gel en un fuego que arde ni en un Tazón del fuego caliente. Podría explotar la botella de Alcohol en Gel y causar lesiones serias.

- 6.) Encienda el Alcohol en Gel con un fósforo para chimenea o un encendedor de butano de largo alcance.
- 7.) Deje que el Alcohol en Gel y las Bolitas de Madera Prensada hagan combustión durante 4 a 5 minutos.
- 8.) Luego de que se hayan encendido las Bolitas de Madera Prensada, instale el Difusor de Calor, la Bandeja para Grasa y las Rejillas para Cocinar.
- 9.) Gire el Selector de Temperatura a la configuración deseada. Una vez se hayan encendido las bolitas de madera prensada y esté saliendo humo blanco/gris del asador, cierre la cubierta y deje que el asador se precaliente durante aproximadamente 10 minutos antes de colocar alimentos en la parrilla.

DESGLOSE DEL SISTEMA DE DISTRIBUCIÓN DE MADERA PENSADA



Artículo	Descripción	Cant.
23	Tazón del fuego	1
24	Sellador de la Caja de la Tolva/Barrena	1
25	Varilla de Combustión	1
26	Barrena	1
27	Conj. Soldado de la Caja de la Tolva	1
28	Controlador	1
29	Motor de la Barrena	1
30	Soporte del Accionador de la Barrena	1
31	Ventiladores Circuladores de Aire	1
32	Conj. Soldado de la Caja de la Barrena	1
33	Sellador de la Carcasa del Asador/Caja de Madera Prensada	1
34	Placa de soporte inferior	1
35	Sensor de temperatura	1



ACCESORIOS

PARA DAR REALCE A SU EXPERIENCIA EN ASADOS

Para Precios o Colocar Pedidos,

Visite: www.CharGriller.com

o

LLAME AL: 912-638-4724

o al

FAX: 912-638-2580

o vía CORREO POSTAL:

P.O. Box 30864

Sea Island, GA 31561

Visite nuestra tienda en línea

en: www.CharGriller.com

para tener acceso a más de

Char-Griller®

Professional Accessories™



COMBUSTIBLE PARA MADERA PENSADA GOURMET BBQ WOOD PELLET 9620

¡Use nuestro combustible para bolitas de madera prensada especialmente combinada para agregar un delicioso sabor a sus comidas!



FUNDA PARA ASADOR 9155

Hecha a la Medida
Resistente a las condiciones del clima



TERMÓMETRO A CONTROL REMOTO 6206

Supervisa la temperatura tanto de la carne como de la cámara de ahumado hasta 572°F. Revise las temperaturas de la carne y de la cámara de ahumado desde el interior de su casa, hasta 300 pies de distancia.



RECIPIENTE DE GOTEO 6205

Capta el goteo y conserva los sabores líquidos para lograr mayor gusto



ANAQUEL EN "U" 6204

Vertical para asados y paletas
Voltee para costillas



GABACHA 8805

Con 2 bolsas
Ajustable

ROSTIZADOR DE AVES

PAVO 6207
POLLO 6208*



WOK KOOKER 6203

Ideal para vegetales

