



SETTING UP YOUR ACETONE SPRAYER 190450



1. Assemble Hose To Tank

IMPORTANT: Do not attempt to heat or alter hose, hose nut, or barb prior to assembly.

1. Align hose barb tabs, push hose barb into tank until it stops (**See Figure A**).
2. Slide hose nut into place and turn clockwise to tighten. (**See Figure B**).

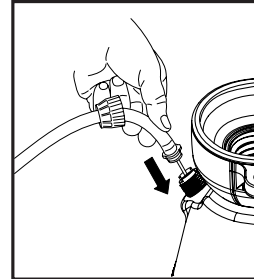


Figure A

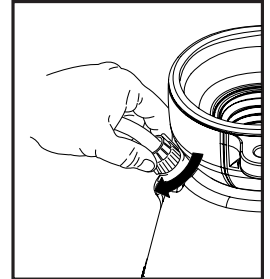
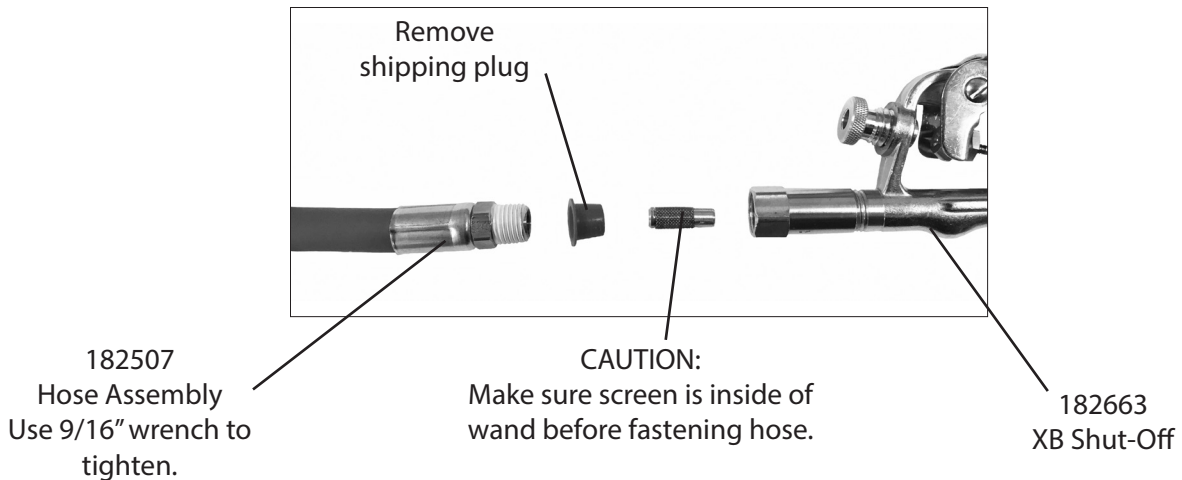


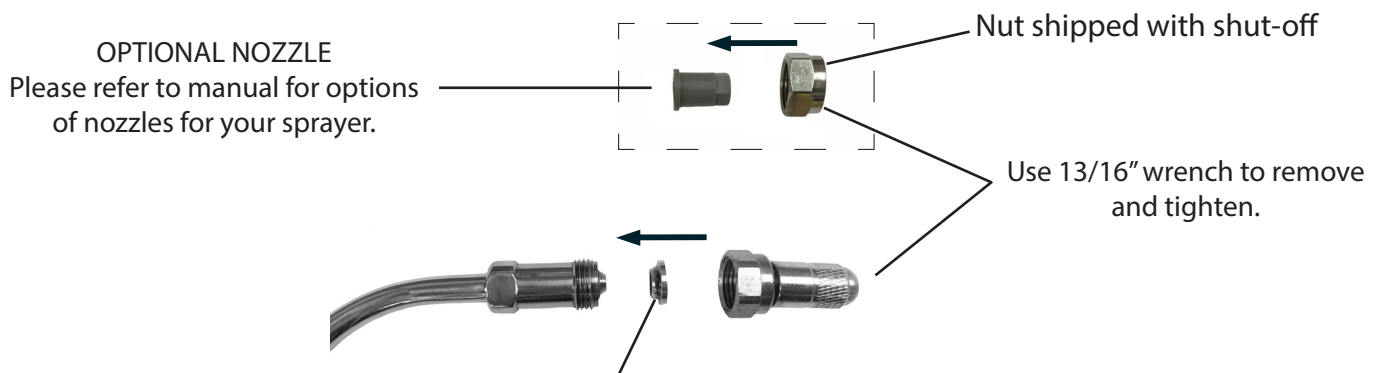
Figure B

NOTE: Do not use tools to tighten hose nut.

2. Fasten Hose to XB Shut-Off: Screw on XB Shut-Off to end of Hose Assembly (**See Below**)

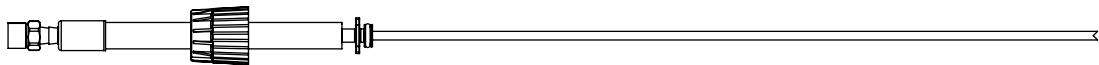


3. Changing Nozzle: Remove nut and place nozzle on end of wand and tightened with a 13/16" wrench. (**See Below**)



When placing different nozzles on end of wand. Make certain the Soft seat is always used and gasket is facing correctly. The small end facing the Extension.

PARTS INCLUDED WITH YOUR
ACETONE SPRAYER
190450



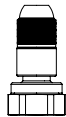
182507
HOSE ASSEMBLY



182663
XB Shut-Off



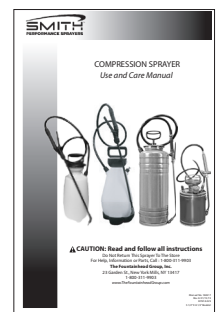
182618
WARRANTY CARD



182567
ADJUSTABLE
BRASS NOZZLE



181080
CARRYING STRAP



182617
MANUAL