

IMPORTANT

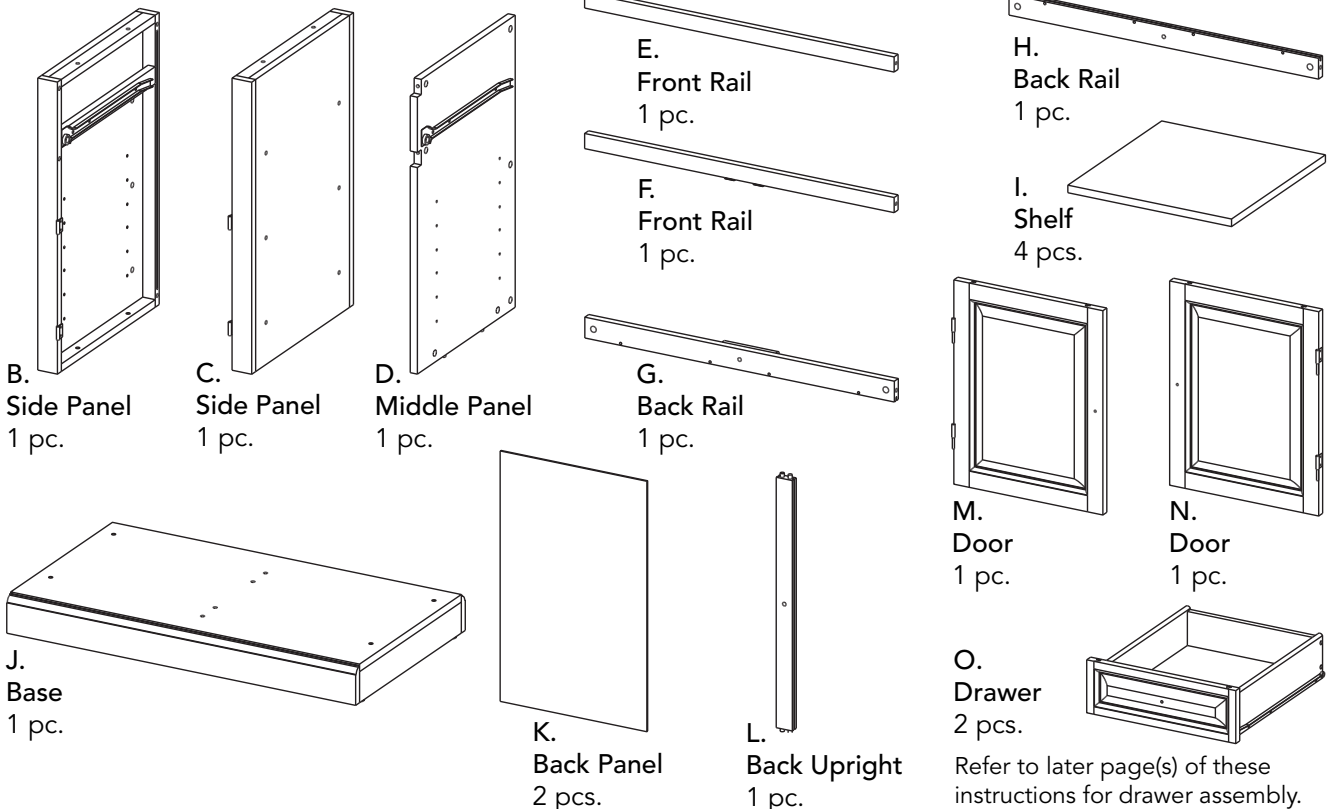
Carefully remove all the parts from the carton and place them individually on a soft cloth to prevent scratches or other damage.

Carefully and strictly follow these assembly instructions to ensure a completed product as designed.

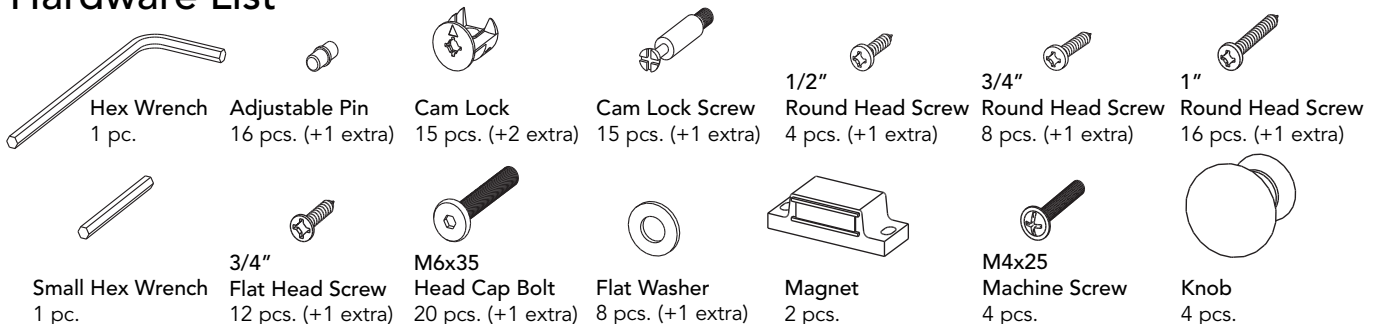
Do not use power tools above 8 volts to assemble.

Patent 8,584,600 B2

Part List



Hardware List



Cartons 5020-942 and 5008-943 or 5009-943 are also needed for assembly.

Tool(s) required for assembly: Phillips screwdriver, Level

homestyles Customer Service: www.homestylesfurniture.com,
servicedesk@homestylesfurniture.com, 888-680-7460

Assembly Instructions 2/9

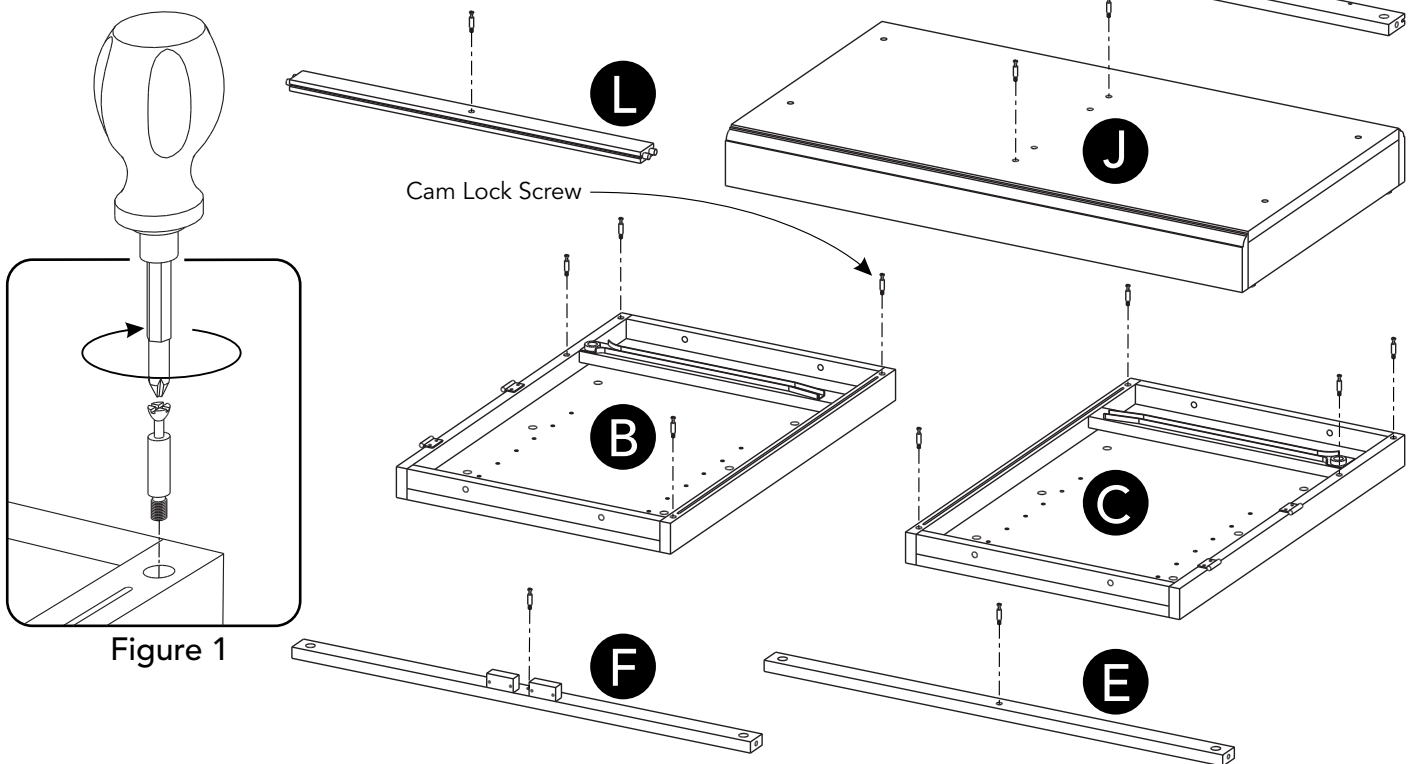
IMPORTANT

- Use a soft cloth between these parts and the floor.
- Do not use power tools above 8 volts to assemble.
- Do not tighten all the bolts until each part is properly assembled.
- The unit must be level to work properly. Use the included adjustable levelers to level.
- Keep Hex Wrench as the bolts may need to be tightened in the future.

STEP 1

Insert Cam Lock Screws into pre-drilled holes in Side Panels (B), (C), Front Rails (E), (F), Back Rails (G), (H), Base (J) and Back Upright (L), then tighten.

(See Figure 1)



STEP 2

Attach Magnets to Front Rail (F) with 1/2" Round Head Screws into pre-drilled holes.
(See Figure 2)

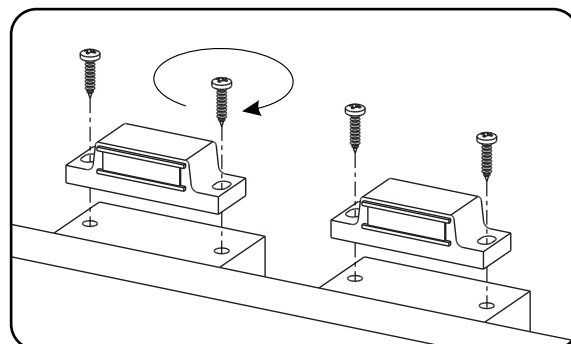
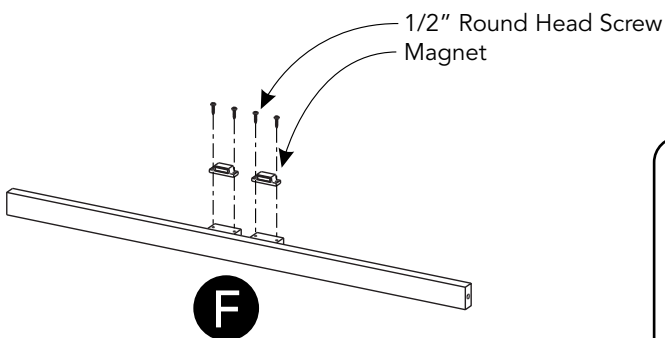


Figure 2

Assembly Instructions 3/9

STEP 3

Attach Middle Panel (D) to Back Rails (G), (H) and Back Upright (L) with Cam Locks.
(See Figure 3)

Slide Back Panels (K) into position.

Attach Front Rails (E) and (F) to unit with Cam Locks.

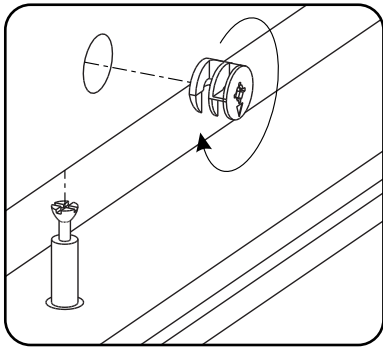
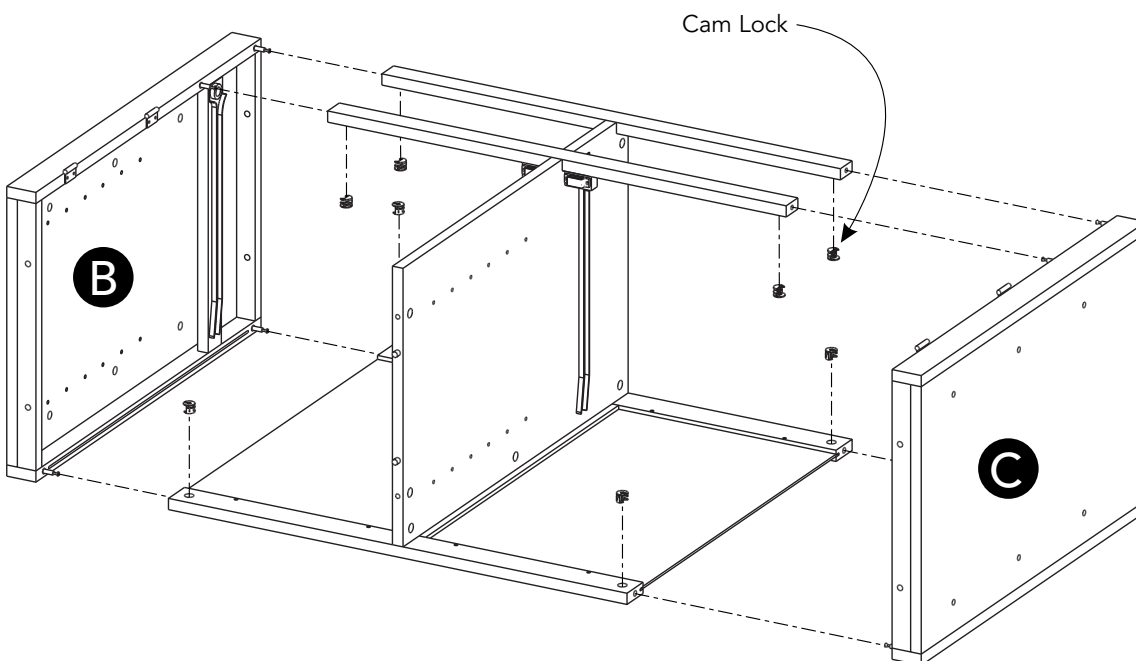
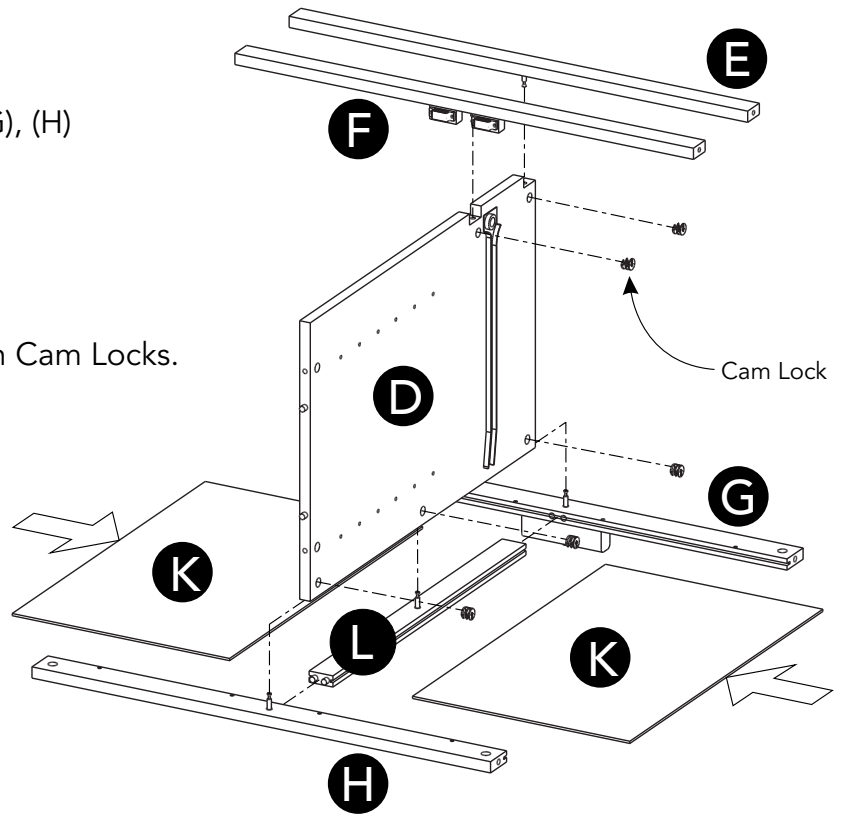


Figure 3



STEP 4

Attach Side Panels (B) and (C)
to unit with Cam Locks.

Assembly Instructions 4/9

STEP 5

Attach Base (J) to unit with Cam Locks, Flat Washers and Head Cap Bolts.

Tighten bolts with Hex Wrench.
(See Figure 4)

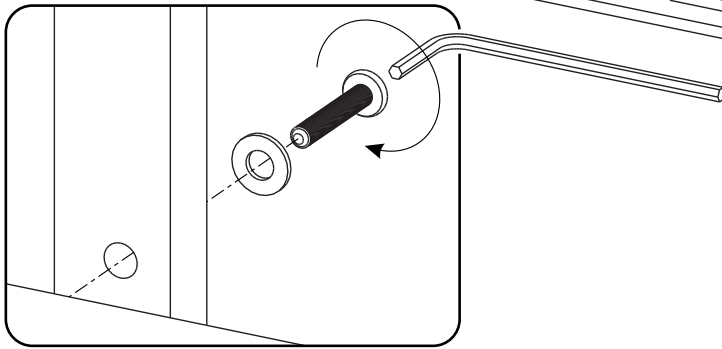
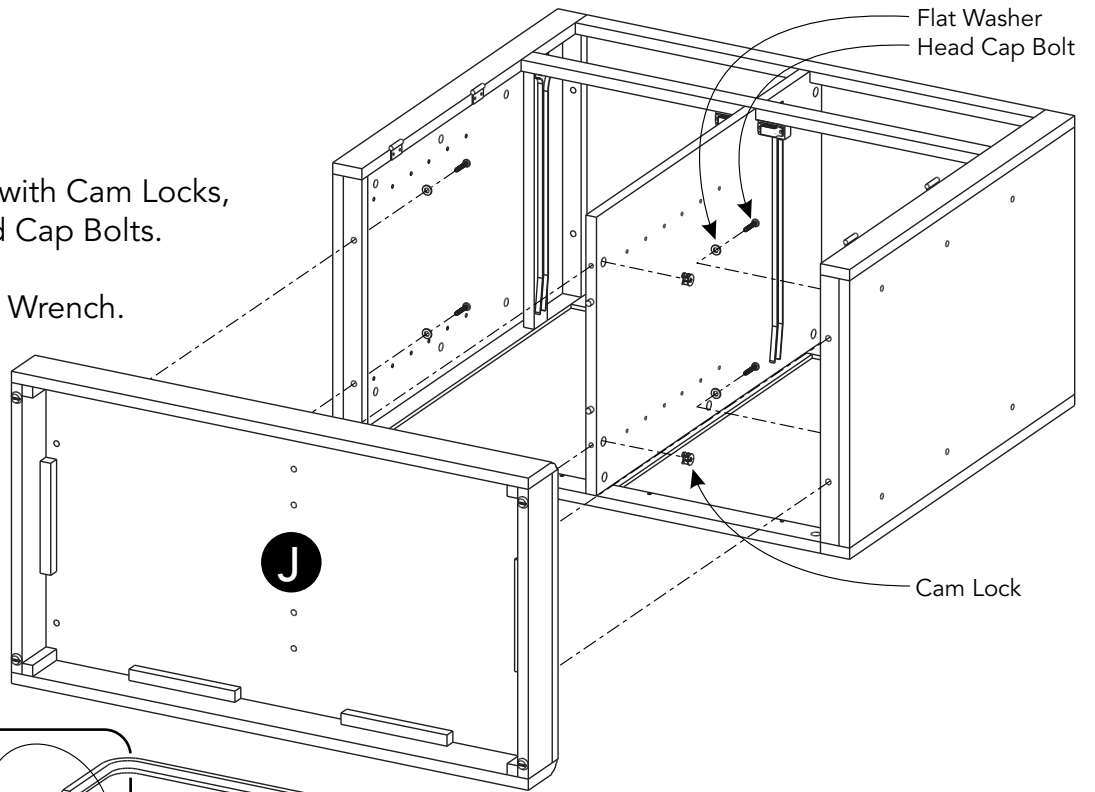


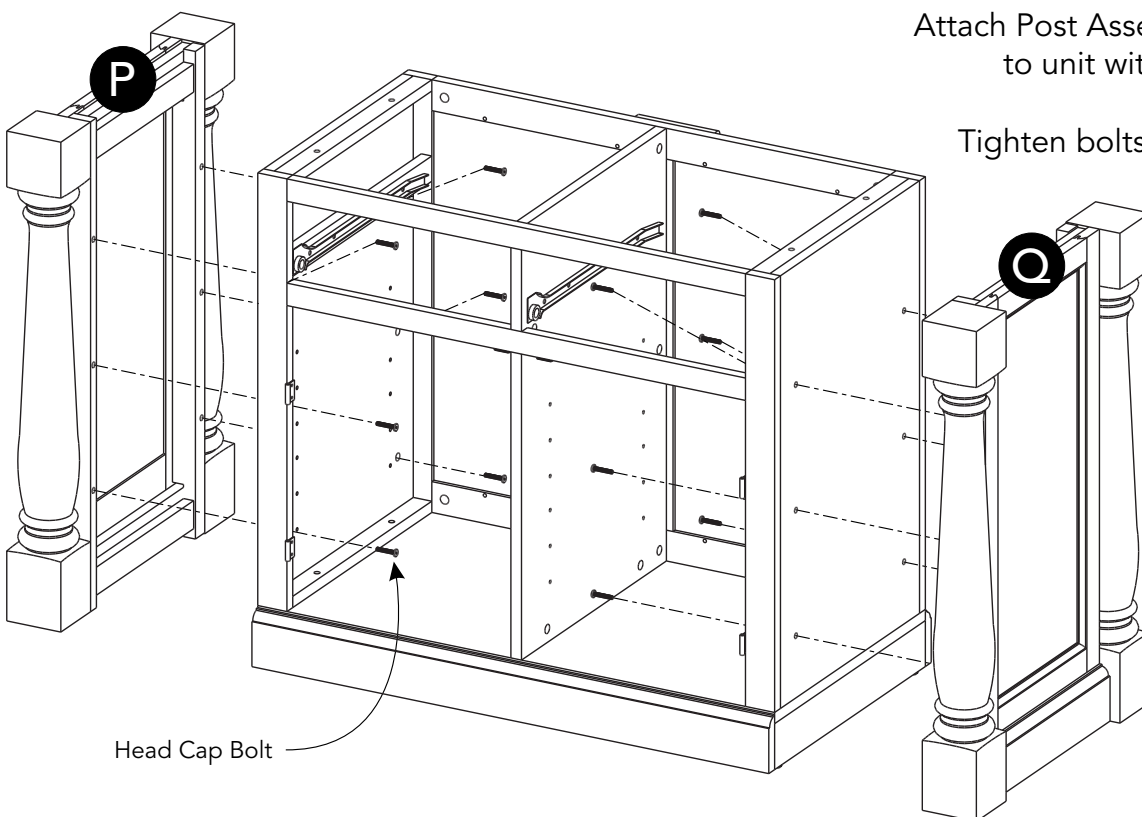
Figure 4

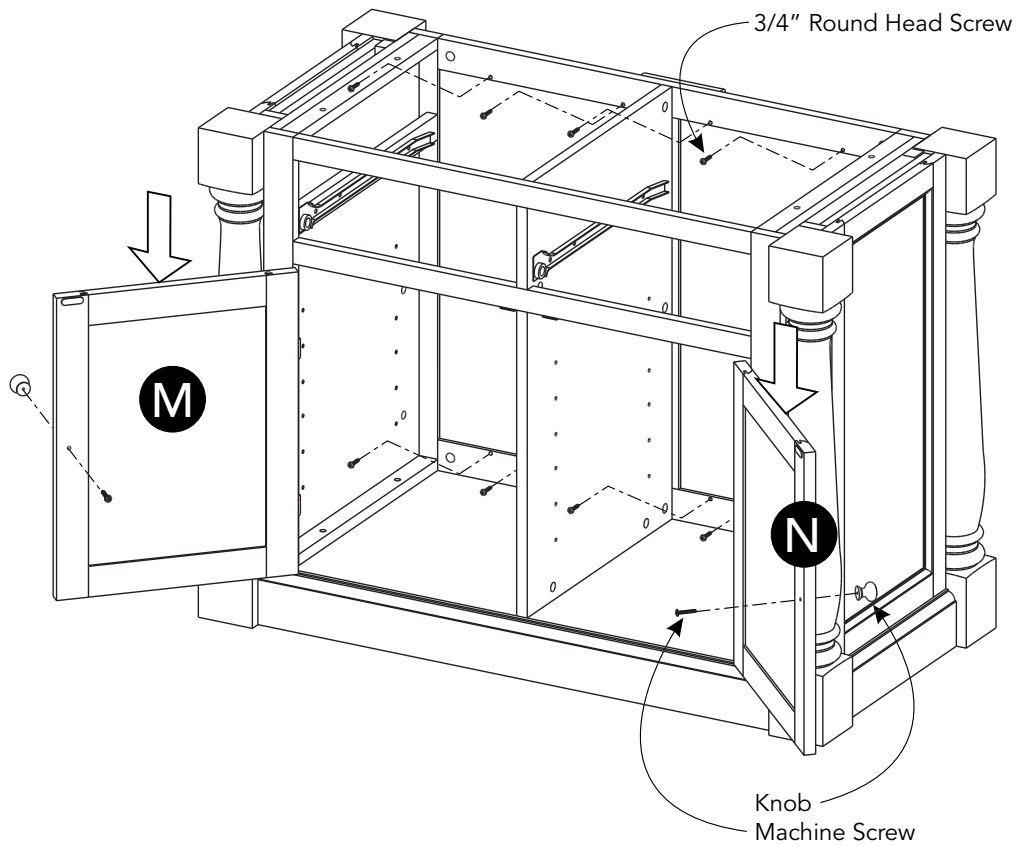
STEP 6

Turn unit to its upright position.

Attach Post Assemblies (P) and (Q)
to unit with Head Cap Bolts.

Tighten bolts with Hex Wrench.





STEP 7

Level unit by adjusting the adjustable levelers on bottom of unit. (See Figure 5)

Note: Unit must be level to proceed.

Insert 3/4" Round Head Screws into pre-drilled holes in back of unit, then tighten.

Note: Unit must be level before tightening these screws.

Attach Doors (M) and (N) to unit by sliding door hinges into side panel hinges. (See Figure 6)

Attach Knobs to Doors (M) and (N) with Machine Screws. (See Figure 7)

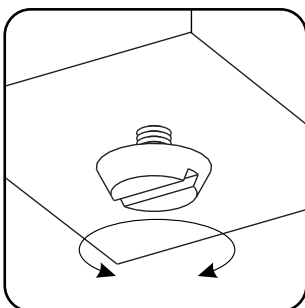


Figure 5

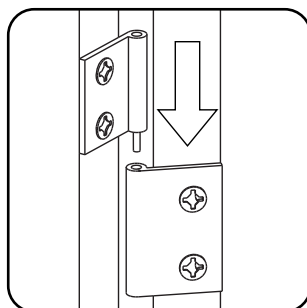


Figure 6

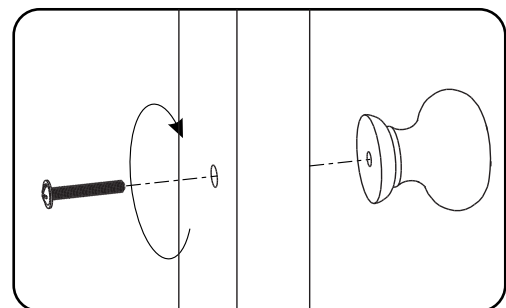


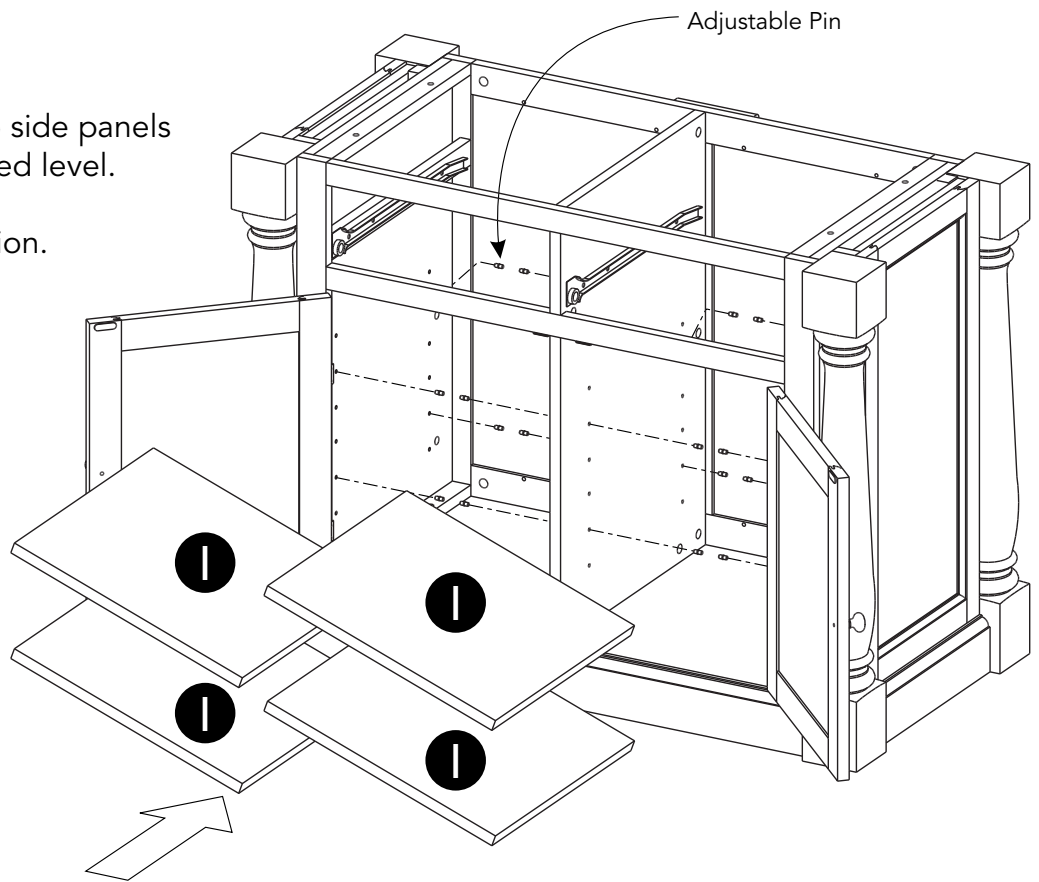
Figure 7

Assembly Instructions 6/9

STEP 8

Insert Adjustable Pins into side panels and middle panel at desired level.

Slide Shelves (I) into position.



STEP 9

3/4" Flat Head Screw

Place Top (A1) and Leaf Top (A2) upside down on a soft cloth.

Attach Leaf Top (A2) to Top (A1) with 3/4" Flat Head Screws into pre-drilled holes.
(See Figure 8)

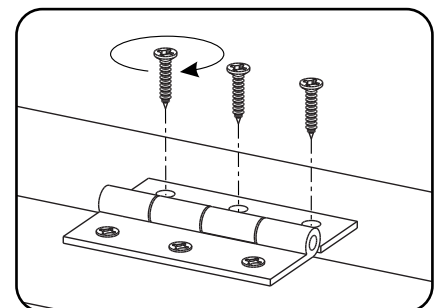
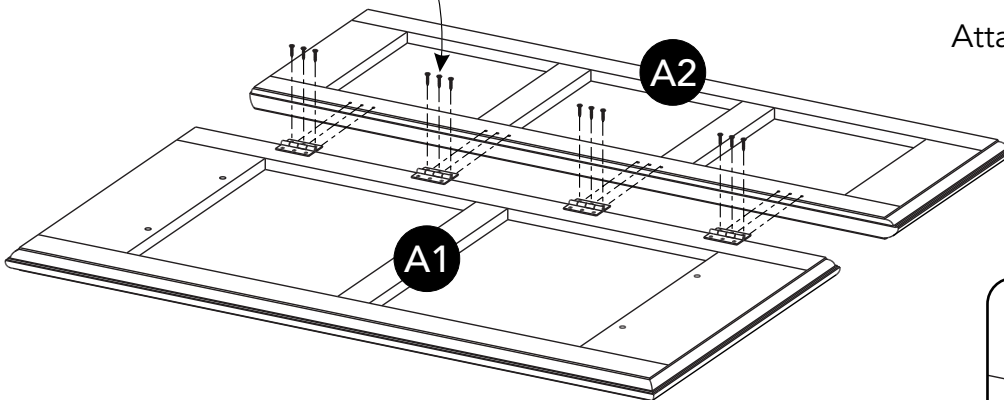
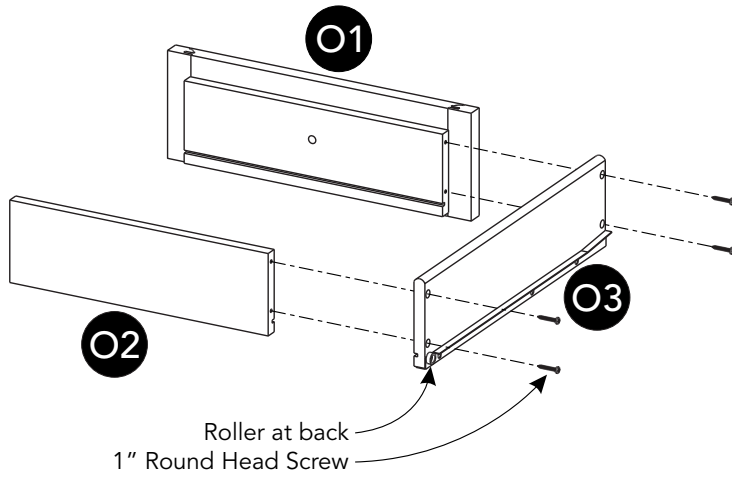
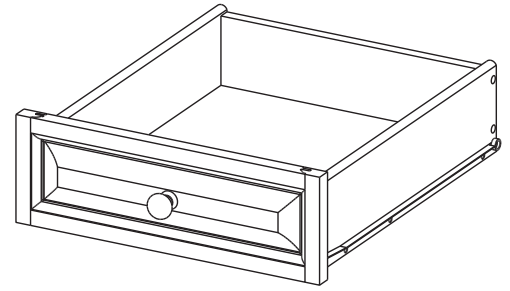


Figure 8

Assembly Instructions 7/9

Drawer (O)



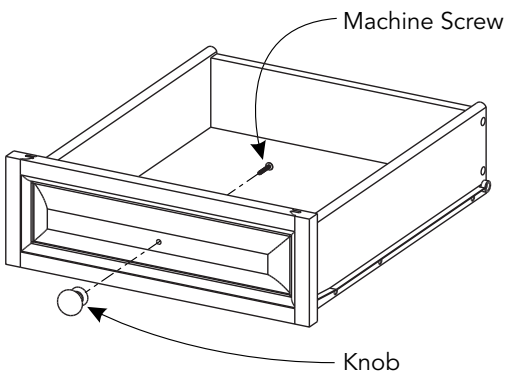
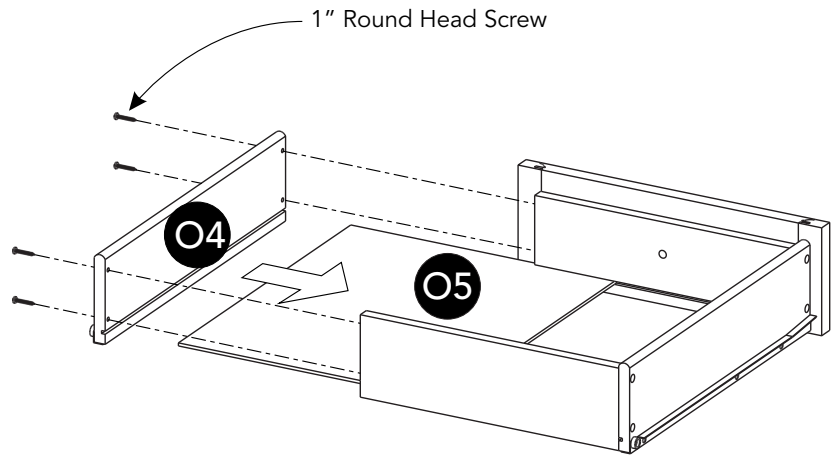
STEP 10

Attach Drawer Front (O1) and Drawer Back (O2) to Drawer Side (O3) with 1" Round Head Screws.

STEP 11

Slide Drawer Bottom (O5) into groove.

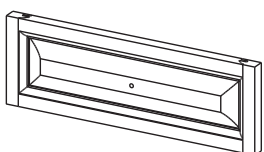
Attach Drawer Side (O4) to unit with 1" Round Head Screws.



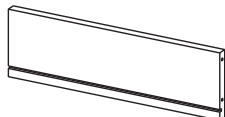
STEP 12

Attach Knob with Machine Screw.

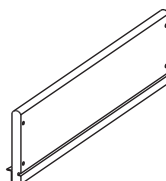
Part List



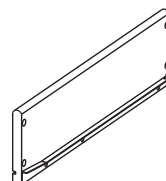
O1.
Drawer Front
2 pcs.



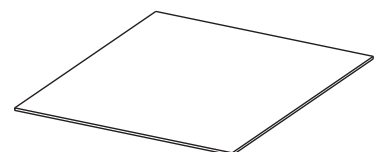
O2.
Drawer Back
2 pcs.



O3.
Drawer Side
2 pcs.

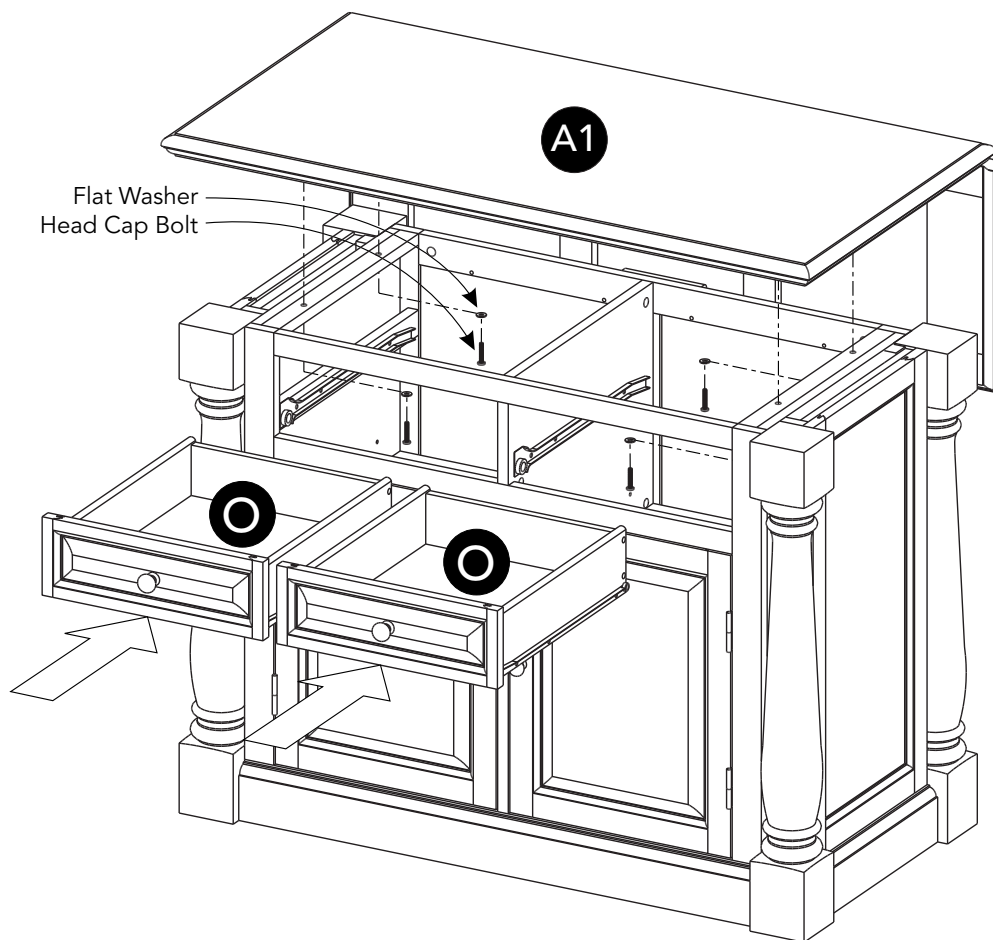


O4.
Drawer Side
2 pcs.



O5.
Drawer Bottom
2 pcs.

Assembly Instructions 8/9



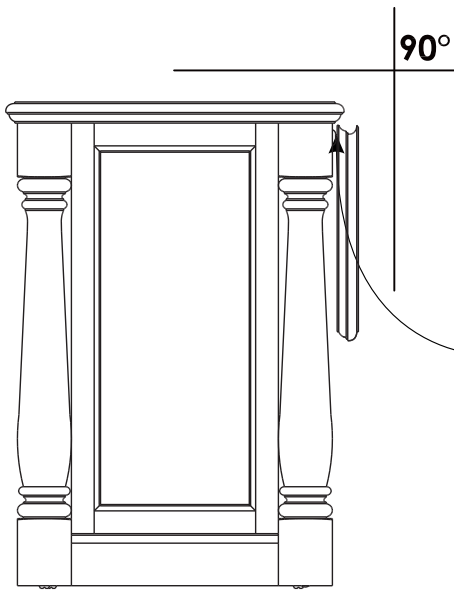
STEP 13

Attach Top (A1) to unit with Flat Washers and Head Cap Bolts.

Slide Drawers (O) into position.

Assembly Instructions 9/9

STEP 14



When leaf top is down, it should be oriented vertically.

If it is not vertical and adjustment is desired, turn the adjuster on adjuster block on back rail. (See Figure 9)

Adjuster Block

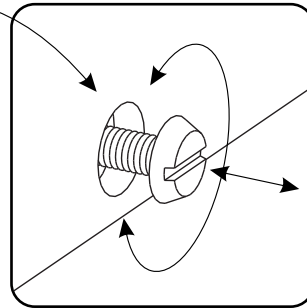
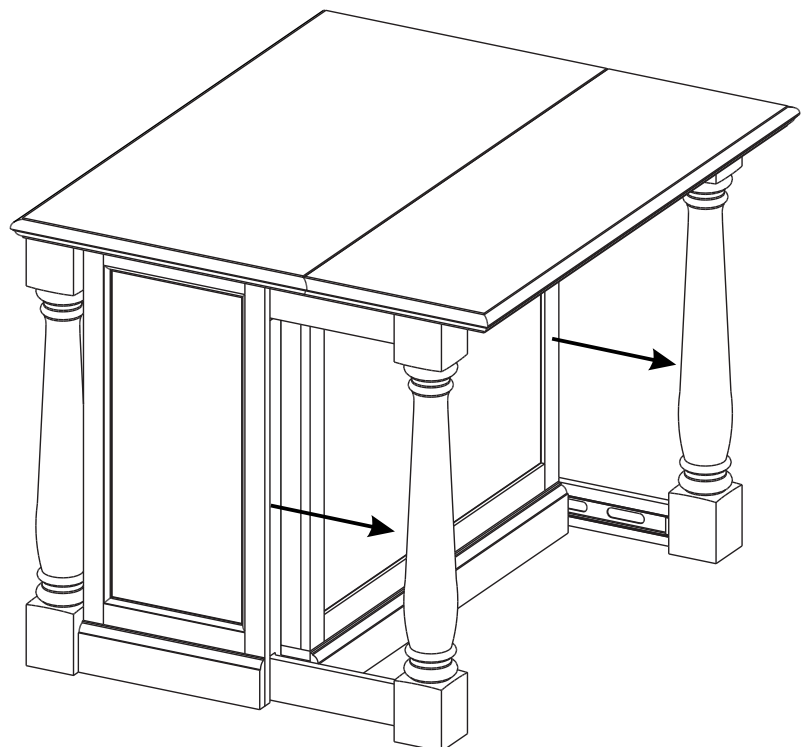
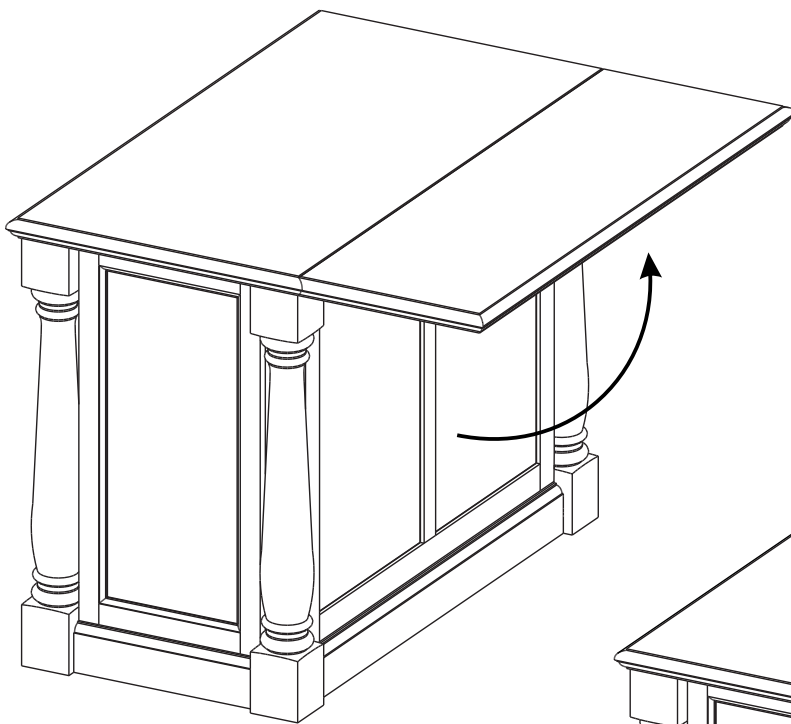


Figure 9

Top Extension Instructions

STEP 15

Lift up leaf top.



STEP 16

Holding leaf top up, pull out a back post from unit; then pull out other back post.

Note: Unit must be level to work properly.

CARE INSTRUCTIONS

NEVER

allow liquids to remain on furniture.
Absorption causes parts to warp
and split and finishes to delaminate.

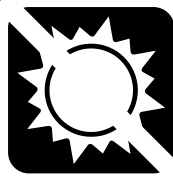
NEVER

use glass cleaners on
finished furniture. Ammonia
chemically attacks the finish.



Do not use power tools
above 8 volts to assemble.

**PREVENT
CRACKING**



Do not place
in direct sunlight.

**PREVENT
FADING**



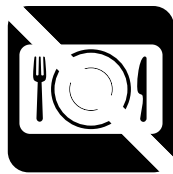
Do not write
directly on surface.

**PREVENT
MARKING**



Do not place hot
objects on surface.

**PREVENT
FINISH DAMAGE**



Do not use rubber
based placemats.

**PREVENT
DISCOLORING**



Do not use commercial
waxes and polishes.

**PREVENT
YELLOWING**

CLEAN

with a soft cloth moistened
in lukewarm soap and water.
Buff with a dry clean cloth.



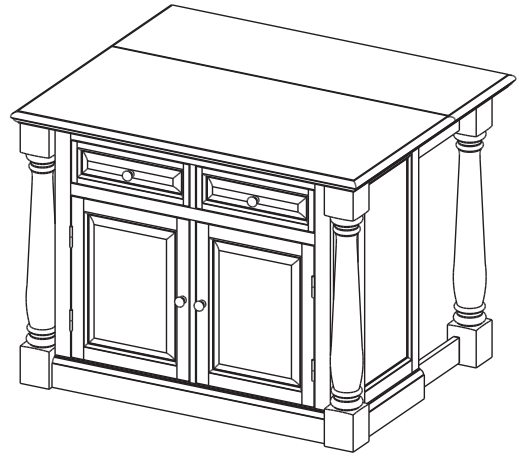
homestyles will provide replacements free of charge for missing or damaged parts within 30 days of purchase. Digital images of the defective parts may be required. If the product was not purchased from an authorized retailer, **homestyles** is under no obligation to provide replacement parts. Parts are not available for fully assembled items nor are parts available for sale. Replacements for missing or damaged parts may be requested via contact info below.

homestyles Customer Service: www.homestylesfurniture.com,
servicedesk@homestylesfurniture.com, 888-680-7460

homestyles[®]

5020-942

Kitchen Island



IMPORTANT

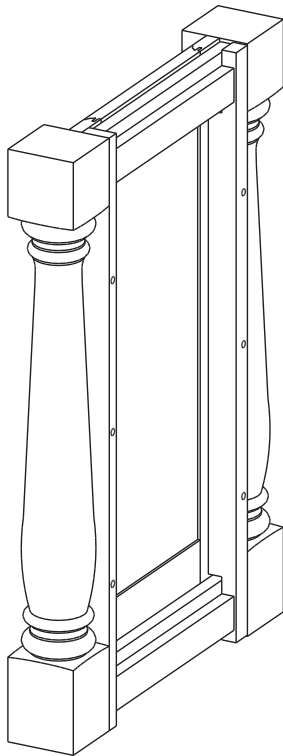
Carefully remove all the parts from the carton and place them individually on a soft cloth to prevent scratches or other damage.

Carefully and strictly follow these assembly instructions to ensure a completed product as designed.

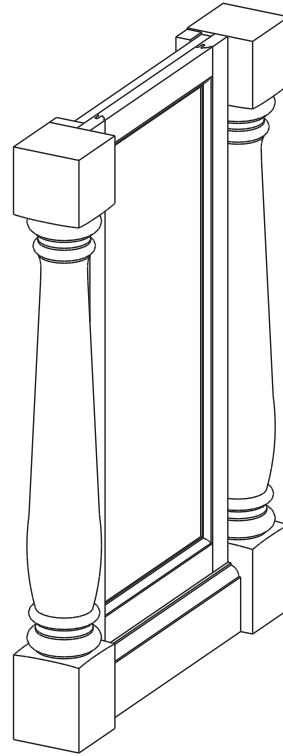
Do not use power tools above 8 volts to assemble.

Patent 8,584,600 B2

Part List



P.
Post Assembly
1 pc.



Q.
Post Assembly
1 pc.

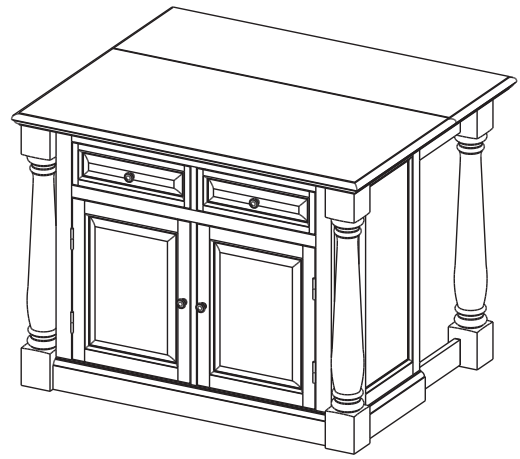
For assembly see instructions in carton 5020-941.

homestyles Customer Service: www.homestylesfurniture.com,
servicedesk@homestylesfurniture.com, 888-680-7460

homestyles[®]

5008-943

Kitchen Island



IMPORTANT

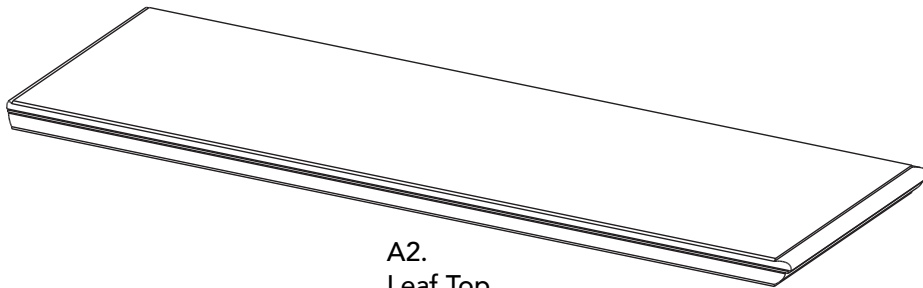
Carefully remove all the parts from the carton and place them individually on a soft cloth to prevent scratches or other damage.

Carefully and strictly follow these assembly instructions to ensure a completed product as designed.

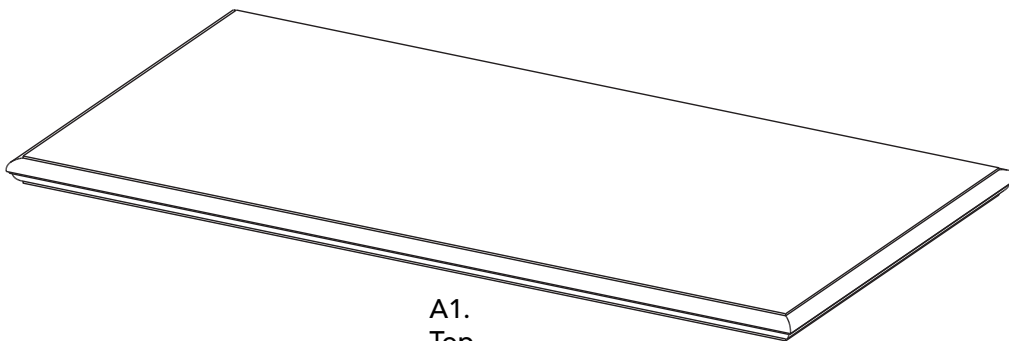
Do not use power tools above 8 volts to assemble.

Patent 8,584,600 B2

Part List



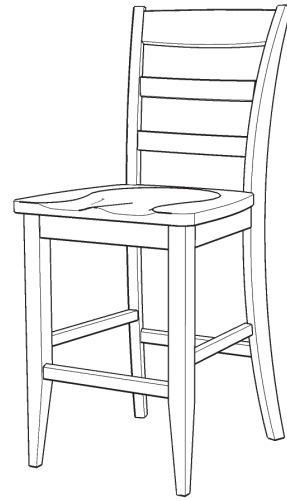
A2.
Leaf Top
1 pc.



A1.
Top
1 pc.

For assembly see instructions in carton 5006-941, 5008-941 or 5020-941.

homestyles Customer Service: www.homestylesfurniture.com,
servicedesk@homestylesfurniture.com, 888-680-7460



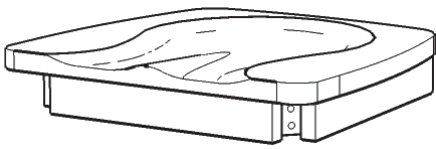
IMPORTANT

Carefully remove all the parts from the carton and place them individually on a soft cloth to prevent scratches or other damage.

Carefully and strictly follow these assembly instructions to ensure a completed product as designed.

Do not use power tools above 8 volts to assemble.

Part List



A.
Seat
1 pc.



E.
Side Stretcher
1 pc.



F.
Side Stretcher
1 pc.



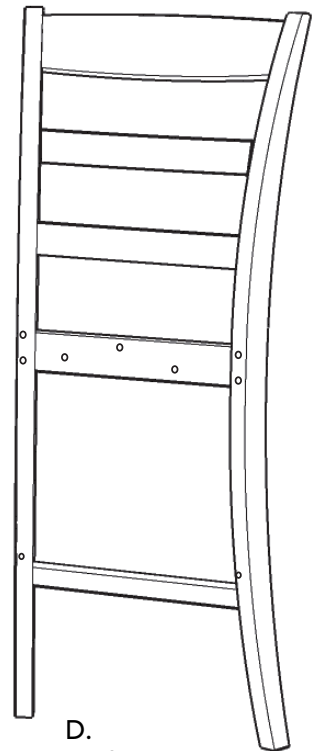
B.
Leg
1 pc.



C.
Leg
1 pc.



G.
Front Stretcher
1 pc.



D.
Back Frame
1 pc.

Hardware List



Hex Wrench
1 pc.



Flat Washer
11 pcs. (+1 extra)



Spring Washer
11 pcs. (+1 extra)



Small Hex Wrench
1 pc.



M6x40
Head Cap Bolt (short)
3 pcs. (+1 extra)



M6x50
Head Cap Bolt
4 pcs. (+1 extra)



M3.5x40
Wood Screw
6 pcs. (+1 extra)



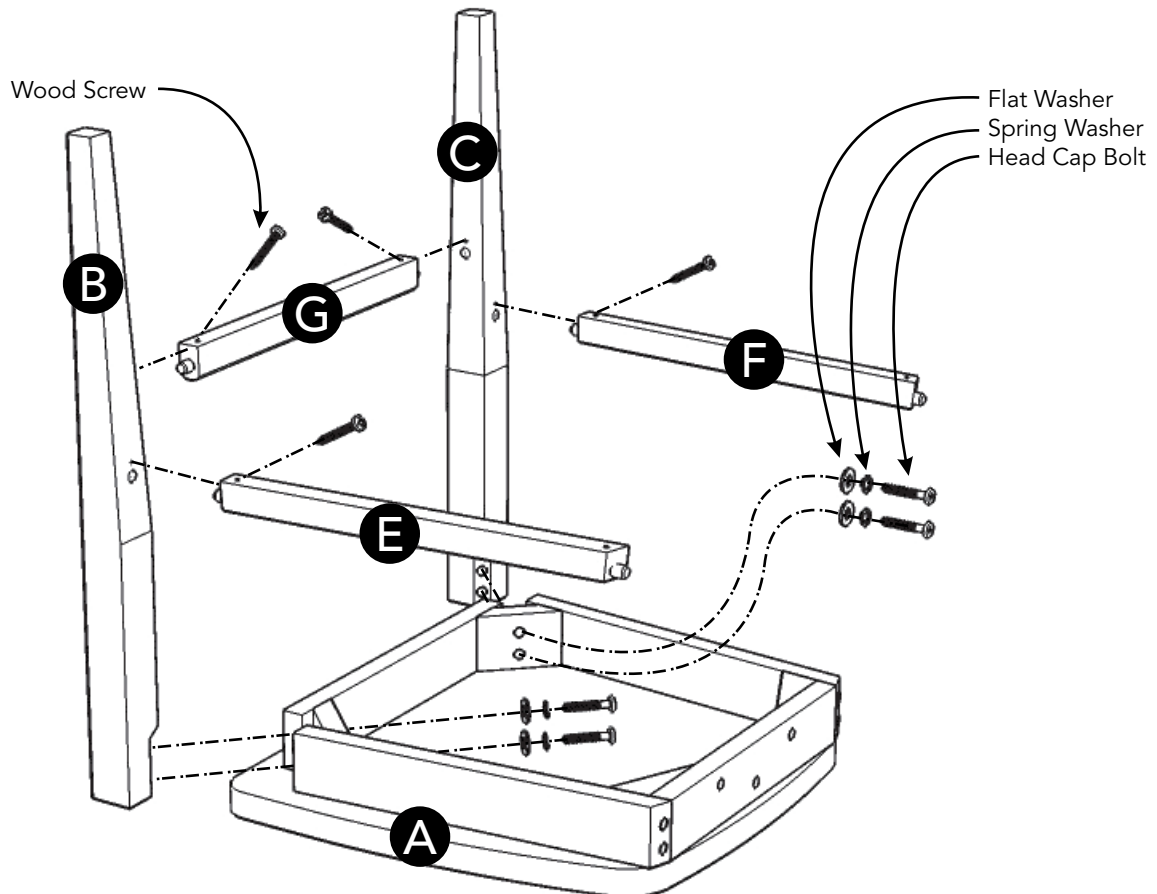
M6x70
Head Cap Bolt (long)
4 pcs. (+1 extra)

Tool(s) required for assembly: Phillips screwdriver

Assembly Instructions 2/3

IMPORTANT

- Use a soft cloth between these parts and the floor.
- Do not tighten all the bolts until each part is properly assembled.
- Keep Hex Wrench as the bolts may need to be tightened in the future.



STEP 1

Place Seat (A) upside down on a soft cloth.

Attach Legs (B) and (C) to Seat (A) with Flat Washers, Spring Washers and Head Cap Bolts, tightening bolts only halfway. (See Figure 1)

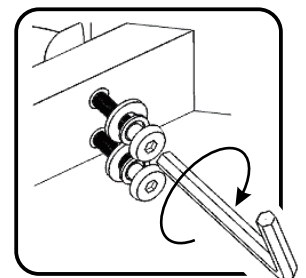


Figure 1

Attach Front Stretcher (G) to unit with Wood Screws. (See Figure 2)

Attach Side Stretcher (E) to Leg (B) and Side Stretcher (F) to Leg (C) with Wood Screws.

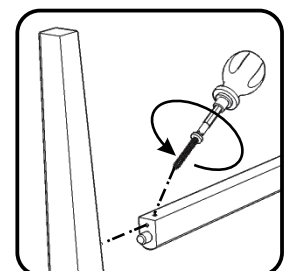
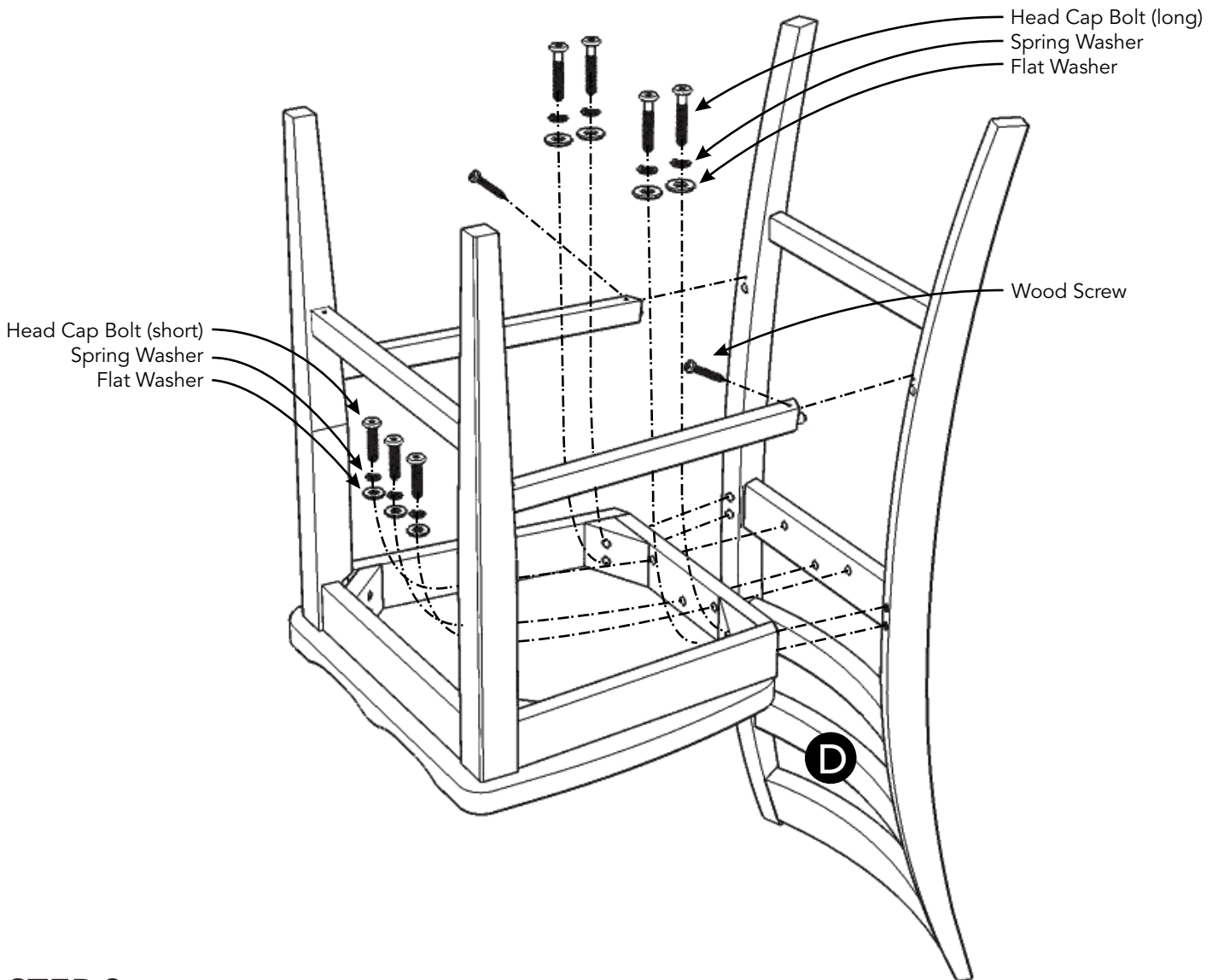


Figure 2

Assembly Instructions 3/3



STEP 2

Attach Back Frame (D) to unit with Flat Washers, Spring Washers, Head Cap Bolts (short) and Head Cap Bolts (long), tightening bolts only halfway.
(See Figures 3 and 4)

Tighten all bolts used in Steps 1 and 2.

Insert Wood Screws into pre-drilled holes in unit, then tighten.

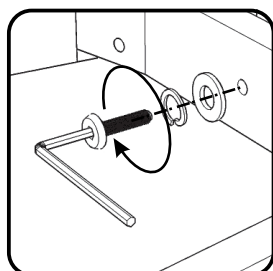


Figure 3

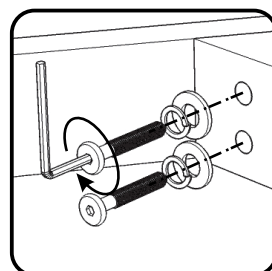


Figure 4

CARE INSTRUCTIONS

NEVER

allow liquids to remain on furniture.
Absorption causes parts to warp
and split and finishes to delaminate.

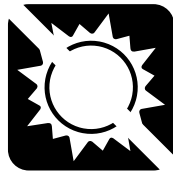
NEVER

use glass cleaners on
finished furniture. Ammonia
chemically attacks the finish.



Do not use power tools
above 8 volts to assemble.

**PREVENT
CRACKING**



Do not place
in direct sunlight.

**PREVENT
FADING**



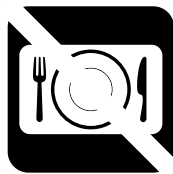
Do not write
directly on surface.

**PREVENT
MARKING**



Do not place hot
objects on surface.

**PREVENT
FINISH DAMAGE**



Do not use rubber
based placemats.

**PREVENT
DISCOLORING**



Do not use commercial
waxes and polishes.

**PREVENT
YELLOWING**

CLEAN

with a soft cloth moistened
in lukewarm soap and water.
Buff with a dry clean cloth.



Home Styles will provide replacements free of charge for missing or damaged hardware or parts within 30 days of purchase. Digital images of the defective parts may be required. If the product was not purchased from an authorized retail affiliate, Home Styles is under no obligation to provide replacement parts. Parts are not available for fully assembled items nor are parts available for sale. Replacements for missing or damaged hardware or parts may be requested at:
www.homestylesfurniture.com/customer-service/replacement-parts

Home Styles Customer Service: www.homestylesfurniture.com,
servicedesk@homestylesfurniture.com, 888-680-7460, 877-831-0319