

Brio®



**Water Dispenser**  
Installation and Operation  
Manual

Model No.: CLPOU520UVRO4B

# Table of Contents

<b>Safety Information</b> .....	<b>3</b>
<b>Intended Use</b> .....	<b>4</b>
<b>Product Features</b> .....	<b>4</b>
Indicator Panel Description .....	5
Product Dimensions .....	5
Operational Specifications .....	5
<b>Package Contents</b> .....	<b>6</b>
<b>Materials Needed</b> .....	<b>6</b>
<b>Installation</b> .....	<b>6</b>
Determine the Installation Location .....	6
Connect to the Cold Water Supply .....	7
Make the Reverse Osmosis (RO) Waste Connections .....	8
Flush the Filters .....	9
Install the Filters and Complete the Installation .....	10
<b>Operation</b> .....	<b>11</b>
Turn the Dispenser On/Off .....	11
Dispense Cold Water .....	11
Dispense Room Temperature Water .....	11
Dispense Hot Water and Activate Child Safety Lock .....	11
<b>Troubleshooting Guide</b> .....	<b>12</b>
<b>Cleaning and Maintenance</b> .....	<b>13</b>
Filter Replacement Schedule .....	14
Replace the Filters .....	14
Filter Specifications .....	14
Care and Maintenance .....	15
<b>Warranty</b> .....	<b>15</b>

# Safety Information

**WARNING:** To reduce risk of injury and property damage, you must read this entire manual before assembling, installing, and operating the dispenser.

**WARNING:** This product dispenses water at very high temperatures. Failure to use properly can cause personal injury. When operating this dispenser, always exercise basic safety precautions, including the following:

- Prior to use, this dispenser must be properly assembled and installed in accordance with this manual.
- For indoor use only. Keep the water dispenser in a dry place away from direct sunlight. Do NOT use outdoors.
- Install and use only on a hard and level surface.
- Do NOT place the water dispenser in an enclosed space or cabinet.
- Do NOT operate the dispenser in the presence of explosive fumes.
- Only use properly grounded outlets.
- Do NOT use an extension cord.
- Always grasp the plug and pull straight out from the outlet. Never unplug by pulling on the power cord.
- Do NOT use the dispenser if the power cord becomes frayed or otherwise damaged. If the power cord is damaged, it must be replaced by the manufacturer, its service agent, or similarly qualified persons in order to avoid a hazard.
- Do NOT immerse the power cord, plug, or any other part of the dispenser in water or other liquids to protect against electric shock.
- Ensure the water dispenser is unplugged prior to cleaning.
- Never allow children to dispense hot water without proper and direct supervision. Always enable the child safety lock feature to prevent unsupervised use by children.
- Service should be performed only by a certified technician.
- Do NOT clean the dispenser with a water jet. Do NOT install in an area where a water jet could be used.

**WARNING:** Keep ventilation openings in the dispenser enclosure or in the built-in structure clear of obstruction.

**WARNING:** Do NOT use mechanical devices or other means to accelerate the defrosting process, other than those recommended by the manufacturer.

- This dispenser should work under environmental temperatures from 39–104 °F (4–40 °C) and humidity ≤90%.
- Never turn the dispenser upside down or lean it more than 45°.
- After turning off the red hot-water switch and the green cold-water switch, allow the dispenser to sit idle for 3 minutes before turning on again.

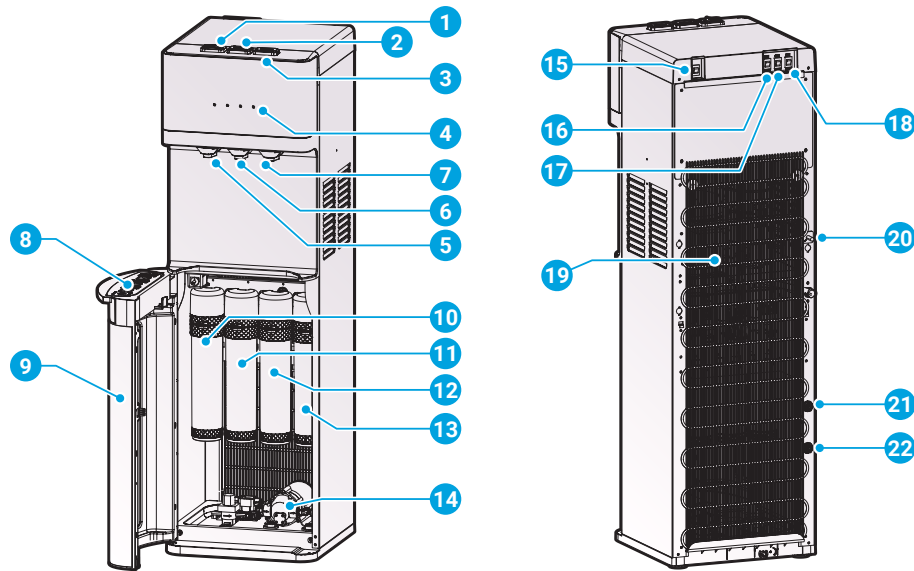
# Intended Use

This dispenser is intended to be used in household and similar applications such as:

- Staff kitchen areas in shops, offices, and other working environments
- Farm houses
- Hotels, motels, and other types of residential environments
- Bed-and-breakfast type environments
- Catering and similar non-retail applications

This dispenser is not intended for use by persons (including children) with reduced physical, sensory, or mental capabilities, or lack of experience and knowledge, unless they have been given supervision or instruction concerning use of the appliance by a person responsible for their safety.

# Product Features



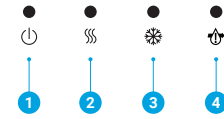
Part	Description
1	Hot water button
2	Room temperature water button
3	Cold water button
4	Indicator panel
5	Hot water tap
6	Room temperature water tap
7	Cold water tap
8	Drip tray
9	Dispenser cabinet
10	Sediment filter
11	Carbon block filter

Part	Description
12	Reverse osmosis (RO) filter
13	Post carbon filter
14	RO pump
15	Filter reset switch
16	Night light switch
17	Green cold-water switch
18	Red hot-water switch
19	Condenser
20	Drain outlet
21	Water inlet
22	RO water outlet

## Indicator Panel Description

1. Power/Self cleaning indicator – When illuminated, indicates that the dispenser is on. When blinking, indicates that the self-cleaning feature is operating.
2. Hot water indicator light – When illuminated, indicates that the dispenser is heating water.
3. Cold water indicator light – When illuminated, indicates that the dispenser is cooling water.
4. Filter replacement indicator light - When blinking, indicates that filters are about to expire; when steadily illuminated, filters have expired.

Brio®



## Product Dimensions

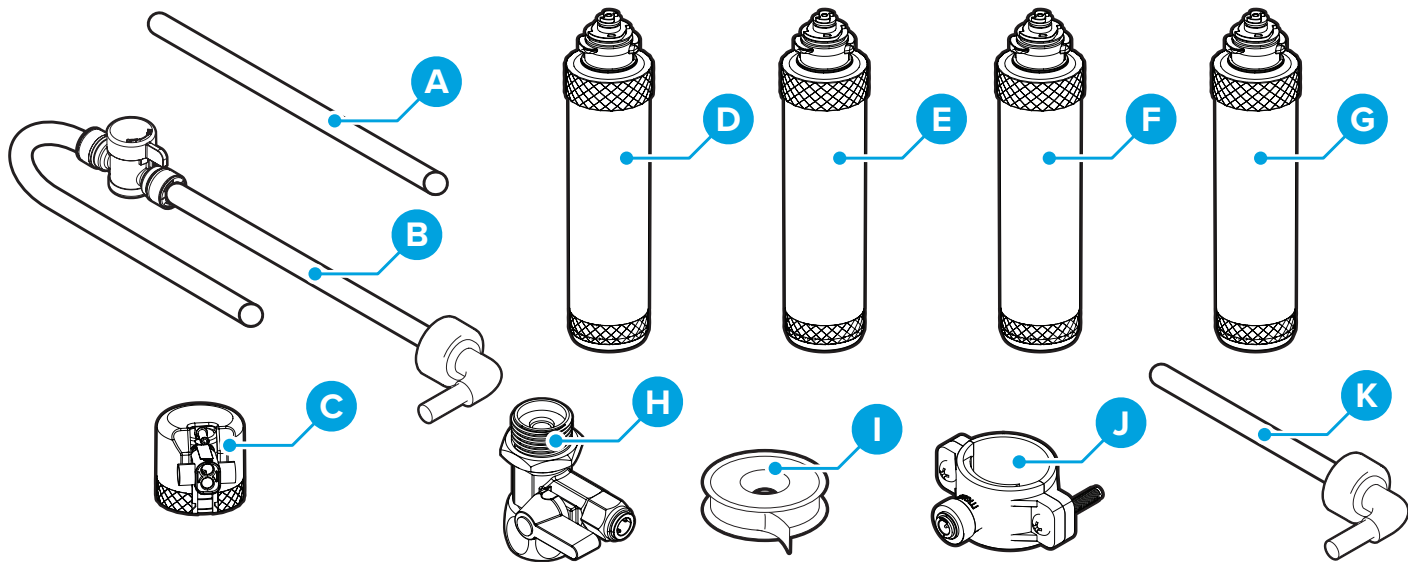
Height	Width	Depth
40.9 in. (104.0 cm)	12.2 in. (31.0 cm)	13.4 in. (34.0 cm)

## Operational Specifications

**CAUTION:** This unit dispenses water at temperatures that can cause severe burns. Avoid direct contact with hot water. Keep children and pets away from unit while dispensing. Never allow children to dispense hot water without proper and direct supervision. Unplug unit to prevent unsupervised use by children

	Temperature	Tank Capacity	Flow Rate
Dispensing Cold Water	39–59 °F (4–15 °C)	0.66 gph (2.5 lph)	0.32 gpm (1.2 lpm)
Dispensing Hot Water	174–194 °F (79–90 °C)	1.06 gph (4 lph)	0.32 gpm (1.2 lpm)

## Package Contents



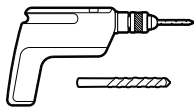
Part	Description	Quantity
A	Filter flushing tube	1
B	Shut-off valve tube (7 ft)	1
C	Filter housing (for filter flushing)	1
D	Sediment filter	1
E	Carbon filter	1
F	RO (reverse osmosis) filter	1

Part	Description	Quantity
G	Post carbon filter	1
H	Feed water adapter (with extra nut)	1
I	Plumber's tape	1
J	Drain saddle with foam gasket	1
K	RO water-outlet tube	1

## Materials Needed



Wrench



Electric drill with 1/4 in. drill bit

## Installation

### 1. Determine the Installation Location

- A. Place the dispenser upright, on a hard and level indoor surface.
- B. Ensure the dispenser is placed in a cool, shaded setting near a grounded wall outlet.

**NOTE:** Do NOT plug in the power cord until the entire installation section is completed.

- C. Position the back of the dispenser no closer than 8 in. (20 cm) from a wall and permit free airflow between the wall and water dispenser.

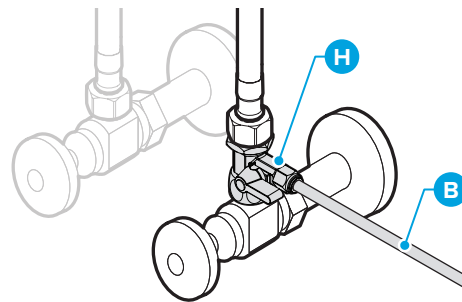
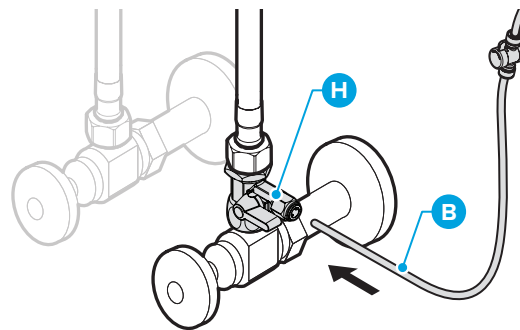
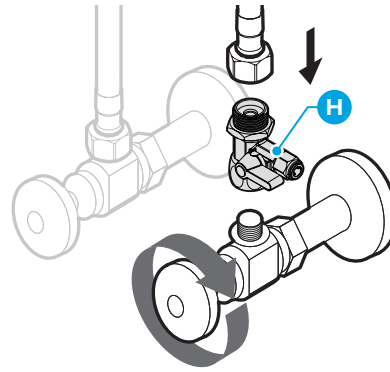
## 2. Connect to the Cold Water Supply

**CAUTION:** DO NOT CONNECT THIS WATER LINE TO A HOT WATER SUPPLY LINE. The water supply to the unit MUST be from the COLD WATER LINE. Using HOT WATER will severely damage your filters.

- A. Turn off and then disconnect the current cold water supply line.
- B. Connect the feed water adapter (H) to the cold water supply line.
- C. Connect the cold water supply line on top of the feed water adapter (H).

**NOTE:** An extra adapter nut is included on top of the feed water adapter (H) to attach to a 3/8 in. or 1/2 in. feed plumbing line.

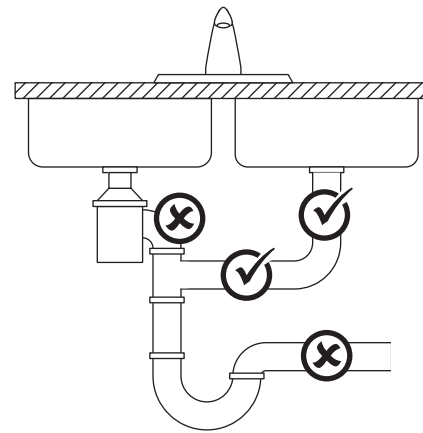
- D. Insert the shut-off valve tube (B) straight into the quick connector piece of the feed water adapter (H).
- E. Gently tug on the shut-off valve tube (B) to ensure a secure connection with the feed water adapter (H).



### 3. Make the Reverse Osmosis (RO) Waste Connections

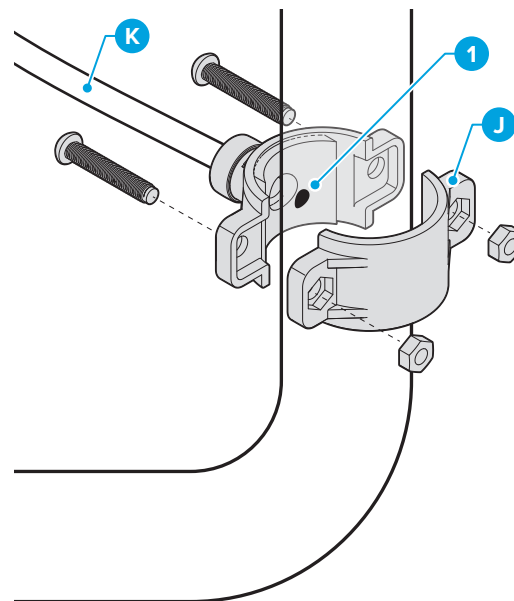
- A.** The RO filter assembly requires a drain line connection to be installed, which removes rejected water to the sewer. The drain saddle connects the drain line from the dispenser to your drain pipe. The drain saddle is designed to fit around a standard 1.5 in. OD (outer diameter) drain pipe.

- ✓ Always install the drain saddle before the P-trap and on a straight vertical or horizontal section of the pipe.
- ✗ To avoid clogging the drain line with debris, do not install the drain saddle after the drain pipe meets a garbage disposal or dishwasher drain.



To make the Reverse Osmosis (RO) drain connections:

- B.** Determine the location for your drain saddle (J) and then make a mark on the drain pipe for the opening (1).
- C.** Use a 1/4 in. drill bit and drill a hole at the mark, ensuring you only drill through one side of the drain pipe.
- D.** Find the half of the drain saddle (J) with the hole in the center, remove the backing from the foam gasket, align the gasket with the hole on the drain saddle (J), and stick the adhesive side of the gasket to the drain saddle (J).
- E.** Position both halves of the drain saddle (J) on the drain pipe with the saddle's opening aligned over the drilled hole, and temporarily insert your drill bit through the drain saddle (J) and the drilled hole to ensure proper alignment.
- F.** Secure both ends of the drain saddle (J) together using the bolts and nuts, but do not overtighten.
- G.** Connect the RO water outlet tube (K) to the drain saddle (J).



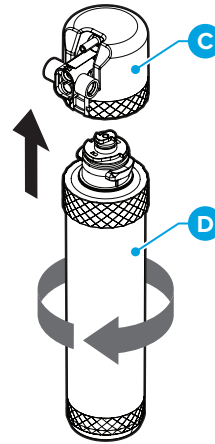


## 4. Flush the Filters

**IMPORTANT:** Follow this procedure for every filter during installation and every time you replace your filters.

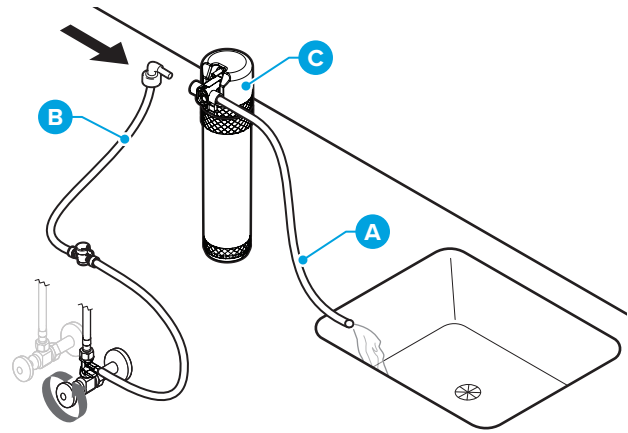
**IMPORTANT:** Ensure the water supply is off before you begin.

- A.** Connect a filter (D) to the filter housing (C) by twisting the filter (D) clockwise.



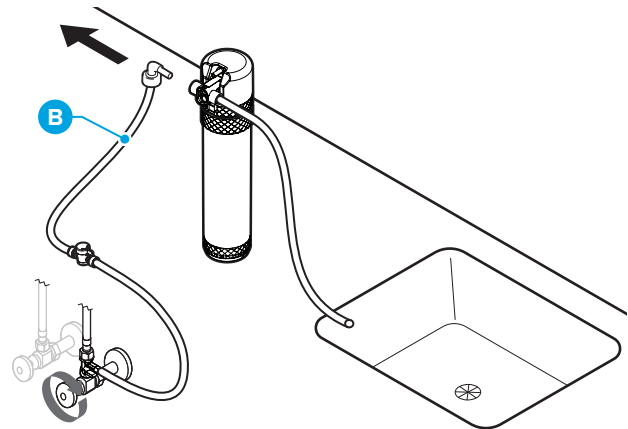
- B.** Connect the tip of the shut-off valve tube (B) to the left side of the filter housing (C).

- C.** Connect the filter flushing tube (A) to the right side of the filter housing (C) and lay the open end of the filter flushing tube (A) over a sink or receptacle to collect water.



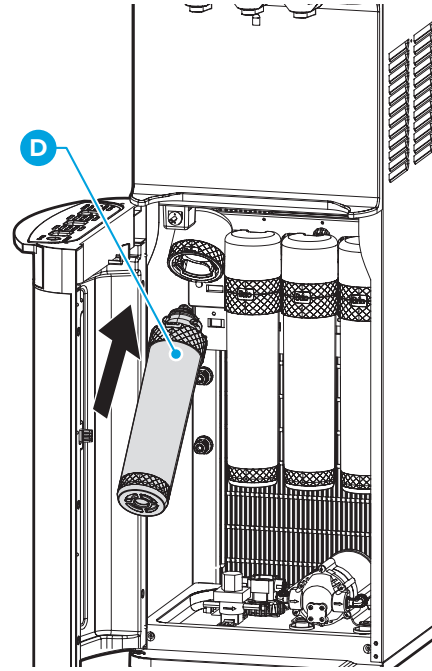
- D.** Turn on the valve at the water source and flush the filter for a minimum of 5 minutes. The recommended rate is 1.5–3.0 gallons of water (about 10 minutes) or until the water is clear in appearance.

- E.** Shut off the valve at the water source and remove the shut-off valve tube (B) from the filter housing (C).

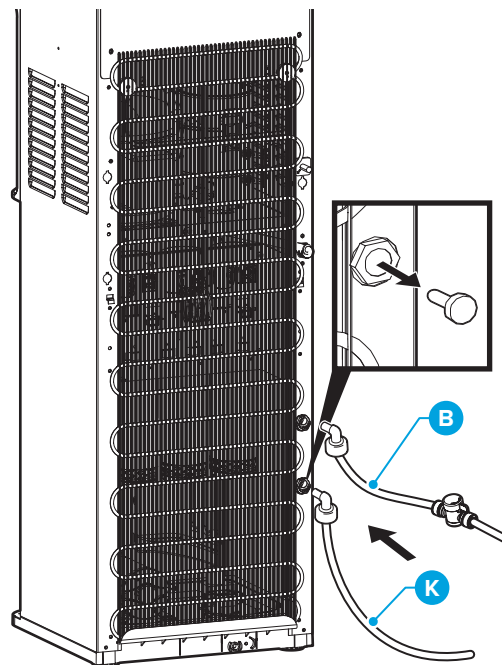


## 5. Install the Filters and Complete the Installation

- A.** After flushing, twist each filter clockwise into the filter housings located inside the dispenser cabinet. The sediment filter (D) goes on the left, followed by the carbon block filter (E), the RO filter (F), and the post carbon filter (G).



- B.** Remove the safety plug from the RO water outlet hole on the back of the dispenser by pushing in the inlet hole collar and then gently pulling out the plug.
- C.** Connect the RO water outlet tube (K) coming from the RO drain saddle (J) to the RO water outlet.
- D.** Connect the tip of the shut-off valve tube (B) into the water inlet.
- E.** Turn on the main water supply and ensure the shut-off valve on tube (B) is on.



# Operation

**IMPORTANT:** This unit has been tested and sanitized prior to packing and shipping. During transit, dust and odors can accumulate in the tank and lines. Dispense and dispose of at least 1 quart of water prior to drinking any water.

## Turn the Dispenser On/Off

**IMPORTANT:** Before you activate the red hot-water and green cold-water switches, ensure water has filled the tanks inside the dispenser in order to prevent dry heating.

1. Plug in the dispenser.
2. Press the hot, room temperature, and cold water buttons until water begins to dispense.
3. To power on the cooling system, flip the green cold-water switch on the back of the dispenser to the On position. The cold water indicator on the front of the dispenser illuminates in blue, indicating that the dispenser is cooling water. The light turns off when the cooling process is complete.
4. To power on the heating system, flip the red hot-water switch on the back of the dispenser to the On position. The hot water indicator on the front of the dispenser illuminates in red, indicating that the dispenser is heating water. The light turns off when the heating process is complete.

## Dispense Cold Water

**NOTE:** Please allow approximately 1 hour after flipping the green cold-water switch to the On position for the water to become fully chilled. The cold water indicator light will turn off once the water is fully chilled.

1. Place a drinking glass or container under the cold water tap and press the cold water button to dispense cold water.
2. Release the button when your container is full.

## Dispense Room Temperature Water

1. Place a drinking glass or container under the room temperature water tap and press the room temperature water button to dispense room temperature water.
2. Release the button when your container is full.

## Dispense Hot Water and Activate Child Safety Lock

**CAUTION:** This unit dispenses water at temperatures that can cause severe burns. Avoid direct contact with hot water. Keep children and pets away from the unit while dispensing. Never allow children to dispense hot water without proper and direct supervision. Disable the heating feature by switching the hot water switch on the back of the unit to the Off position.

**NOTE:** Water will take approximately 15–20 minutes after switching on the red hot-water switch for it to reach its hottest temperature. The hot water indicator light will turn off once the water is fully heated.

1. This water dispenser is equipped with a child safety lock feature in order to prevent inadvertent dispensing.
2. To dispense hot water, place a drinking glass or container under the hot water tap and slide the lock on the hot water button to the right while pressing and holding the hot water button.
3. Release the hot water button and the lock when your container is full.

# Troubleshooting Guide

Refer to the table below for possible problems and their solutions.

Problem	Solution
The cold water is not cold.	<ul style="list-style-type: none"> <li>• It takes approximately 1 hour after setup to dispense cold water.</li> <li>• Make sure the power cord is properly connected to a working outlet.</li> <li>• Make sure the back of the dispenser is at least 8 in. (20 cm) from a wall and there is free airflow on all 8 in. (20 cm) sides of the dispenser.</li> <li>• Make sure the green cold-water switch on the back of the unit is in the On position.</li> <li>• If water still isn't cold, call customer service at +1 844-257-4103 for assistance.</li> </ul>
The hot water is not hot.	<ul style="list-style-type: none"> <li>• It takes 15–20 minutes after setup to dispense hot water.</li> <li>• Make sure the power cord is properly connected to a working outlet.</li> <li>• Make sure the red hot-water switch on the back of the unit is in the On position.</li> </ul>
The night light is not working.	<ul style="list-style-type: none"> <li>• Make sure the power cord is properly connected to a working outlet.</li> <li>• Make sure the night light power switch on back of unit is in the On position.</li> </ul>
The dispenser is noisy.	<ul style="list-style-type: none"> <li>• Ensure the dispenser is located on a hard, level surface.</li> <li>• The heating tube may be generating a slight sound. This is normal.</li> </ul>
There is water leakage.	<p>If the 4 indicator lights are flashing, a leak was detected.</p> <ul style="list-style-type: none"> <li>• The pipe is not connected properly. Check all water connections and tubes to ensure everything is connected properly.</li> <li>• The water pipes and/or tubing have burst. Replace pipes and tubing.</li> </ul>
The machine is not dispensing water.	<ul style="list-style-type: none"> <li>• The dispenser has become too cold, and the lines are blocked by ice. Turn the green cold-water switch off for at least 4 hours to allow the water in the lines to thaw.</li> </ul>
The dispenser is not dispensing water.	<ul style="list-style-type: none"> <li>• There may still be air in the tank. Press and hold the water buttons to remove air until water begins to flow.</li> </ul>

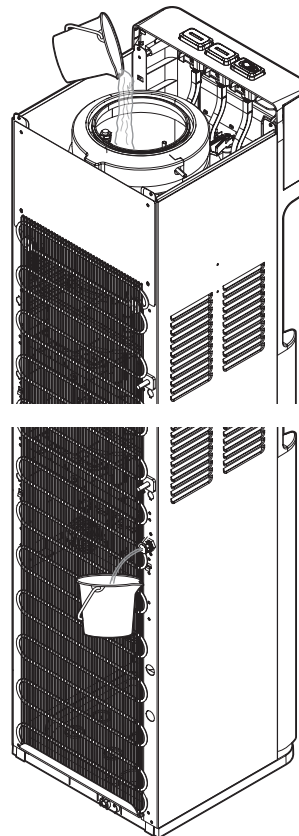
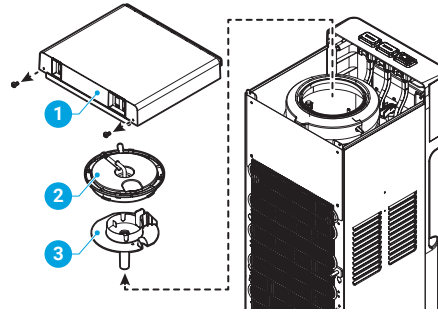
# Cleaning and Maintenance

This dispenser runs on a continuous UV cleaning cycle. It works for 40 minutes (UV indicator light is on), turns off for 140 minutes, and then cycles back on again as long as the dispenser is plugged in and turned on.

**CAUTION:** Before manual cleaning, always turn off hot- and cold-water switches, and unplug dispenser.

**IMPORTANT:** This dispenser contains UV technology that will help keep your dispenser clean. However, if you do need to clean your dispenser for any reason, follow these steps:

1. Remove remaining water from reservoirs in the dispenser by dispensing from the hot and cold taps into a pitcher or bucket.
2. Remove the top cover (1), cold tank cover (2), and separator (3).
3. Rinse off the separator (3) in the sink and wipe clean with a soft cloth.
4. Create a cleaning solution of 0.3 gallons vinegar and 0.3 gallons hot tap water. Allow the cleaning solution to fill the reservoir and sit for at least 10 minutes.
5. Place a large bucket beneath the drain outlet at the back of the dispenser.
6. Remove the drain cover and drain the water.
7. Reinstall the drain cover, separator, cold tank cover, and top cover after draining. Ensure all water supply connections are connected securely.
8. Plug the dispenser back into the outlet and turn on.



## Filter Replacement Schedule

Filter Type	Replacement Schedule	Function
Sediment	3-6 months or 950 gallons (3596 liters)	Performs a coarse filtration of original water. Removes mud, sand, iron, rust, suspensions, and impurities.
Carbon Block	3-6 months or 950 gallons (3596 liters)	Reduces chlorine taste and odor, lead, and cysts.
Reverse Osmosis (RO)	6-12 months or 1,900 gallons (7200 liters)	Removes up to 99% of contaminants including arsenic, lead, fluoride, heavy metals and more.
Post Carbon	3-6 months or 950 gallons (3596 liters)	Taste and impurity removal.

## Replace the Filters

**IMPORTANT:** Only replace the filters with new filters designed for this dispenser. Any other type of filter will damage the machine and void any warranty.

When a filter is approaching the end of its life (around 5 1/2 months), the filter replacement indicator light starts to blink quickly. When the filter has reached the end of its life (around 6 months), the filter replacement indicator light is steadily illuminated.

To change the filters:

1. Shut off the water supply.
2. Remove the old filters by twisting counterclockwise.
3. Flush the new filters by following the instructions in Step 4 - Flush the Filters, page 9.
4. Install the new filters by twisting clockwise. Ensure the sediment filter is on the left followed by the carbon block filter, the RO filter, and the post carbon filter.
5. Press and hold the filter reset switch (15) for 3 seconds until the indicator light turns off.

## Filter Specifications

### Sediment Filter

(Sediment, Dirt, and Rust Removal)

Filter Capacity	950 gallons (3596 liters)
Flow Rate	0.8 gpm (3 lpm)
Suggested PSI	14.5–58 psi
Temperature	33–100 °F

### Carbon Block Filter

(Taste and Odor Removal)

Filter Capacity	950 gallons (3596 liters)
Flow Rate	0.8 gpm (3 lpm)
Suggested PSI	14.5–58 psi
Temperature	33–100 °F

### Reverse Osmosis (RO) Filter

(Reduces Impurities to 0.0001 Microns)

Filter Capacity	1900 gallons (7200 liters)
Flow Rate	0.035 GPM (0.135 lpm)
Suggested PSI	58–116 psi

### Post Carbon Filter

(Taste and Impurity Removal)

Filter Capacity	950 gallons (3596 liters)
Flow Rate	0.8 gpm (3 lpm)
Suggested PSI	14.5–58 psi

Temperature	33–100 °F
-------------	-----------

Temperature	33–100 °F
-------------	-----------

## Care and Maintenance

- Keep this dispenser in a dry and cool place and avoid direct sunshine.
- Ensure the back of the dispenser is at least 20 cm (8 in.) away from the wall.
- Never put the dispenser on paper or foam, which may store water and then cause creepage. Never put anything flammable beside this machine.
- Do not use the dispenser outdoors or in a place that can be splashed by water.
- If the dispenser is not in use for longer than a 24-hour period, turn off the hot and cold water switches to save power, and drain any remaining water.
- If the water supply is cut off, shut off the water supply and unplug the dispenser. When the water supply is back on, plug in the dispenser, and allow the dispenser to run in order to discharge sediment.

## Warranty

Brio (“Vendor”) warrants to the original purchaser of the Brio Water Coolers (the “Product”), and to no other

person, that if the Product is assembled and operated in accordance with the printed instructions accompanying it, then for a period of one (1) year from the date of purchase, all parts in the Product shall be free from defects in material and workmanship. This Limited Warranty shall be limited to repair or replacement of parts, which prove defective under normal use and service and which Vendor shall determine in its reasonable discretion upon examination to be defective. To take advantage of this Limited Warranty, please follow these steps:

1. Please retain your sales slip or invoice, as Vendor may require reasonable proof of your date of purchase.
2. Contact Vendor's Customer Service Department using the contact information listed below.
3. Return parts to Vendor, per Vendor's instructions, at your cost and expense.
4. Upon receipt by Vendor, Vendor shall advise you in writing whether a defect covered by this Limited Warranty exists in any returned part and whether your claim has been approved or denied.
5. Upon Vendor's approval of your claim, Vendor will replace such defective part without charge to you.

**WHAT THIS LIMITED WARRANTY DOES NOT COVER:** This Limited Warranty does not cover any failures or operating difficulties of the Product due to accident, abuse, misuse, alteration, misapplication, improper installation or improper maintenance or service by you or any third party, or failure to perform normal and routine maintenance on the Product, as set out in the User's Manual. In addition, this Limited Warranty does not cover damages to the finish, such as scratches, dents, discoloration, or rust after purchase.

This Limited Warranty is the only express warranty given on the Product and is in lieu of all other express warranties. Vendor disclaims all warranties for products that are purchased from seller other than authorized retailers or distributors. THIS LIMITED WARRANTY RESTRICTS THE DURATION OF ANY AND ALL IMPLIED WARRANTIES, INCLUDING WITHOUT LIMITATION, THE IMPLIED WARRANTY OF MERCHANTABILITY AND FITNESS FOR A PARTICULAR PURPOSE TO THE ONE (1) YEAR TERM OF THIS LIMITED WARRANTY. UPON THE EXPIRATION OF THE ONE (1) YEAR TERM OF THIS LIMITED WARRANTY, VENDOR DISCLAIMS ANY AND ALL IMPLIED WARRANTIES, INCLUDING WITHOUT LIMITATION THE IMPLIED WARRANTIES OF MERCHANTABILITY AND FITNESS FOR A PARTICULAR PURPOSE, THE PRODUCT BEING THUS SOLD AS-IS, WITH ALL FAULTS. FURTHER, VENDOR SHALL HAVE NO LIABILITY WHATSOEVER TO PURCHASER OR ANY THIRD PARTY FOR ANY SPECIAL, INDIRECT, PUNITIVE, INCIDENTAL, OR CONSEQUENTIAL DAMAGES. OTHER THAN THIS LIMITED WARRANTY, THERE ARE NO WARRANTIES WHICH EXTEND BEYOND THE DESCRIPTION ON THE FACE HEREOF. Vendor assumes no responsibility for any defects caused by third parties. This Limited Warranty gives you specific legal rights, and you may have other rights which vary from state to state. State law may also override statements in this Limited Warranty regarding the restriction on the duration of implied warranties. Some jurisdictions do not allow exclusion or limitation of special, incidental or consequential damages, or limitations on how long a warranty lasts, so the above exclusion and limitations may not apply to you.



**Brio**<sup>®</sup>

**Contact Us**

**Call: +1 844-257-4103**