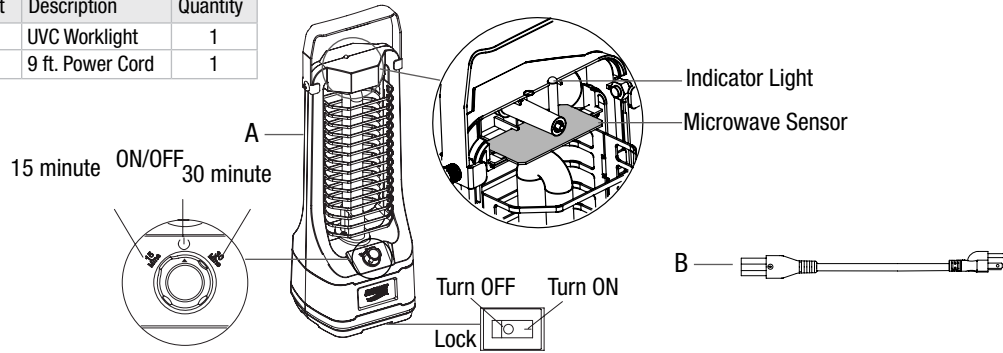


# USE AND CARE GUIDE

## PORTABLE UV-C DISINFECTING WORKLIGHT

### PACKAGE CONTENTS AND INSTRUCTIONS

Part	Description	Quantity
A	UVC Worklight	1
B	9 ft. Power Cord	1

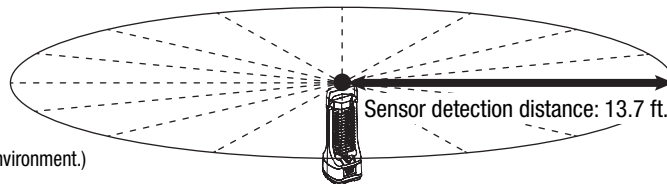


### UVC LAMP SUGGESTED AREA AND TIME

Room Size (ft <sup>2</sup> )	Suggested Operating Time (mins)
50 SQFT (5'x10')	15
120 SQFT (10'x12')	30

### TECHNICAL SPECIFICATIONS

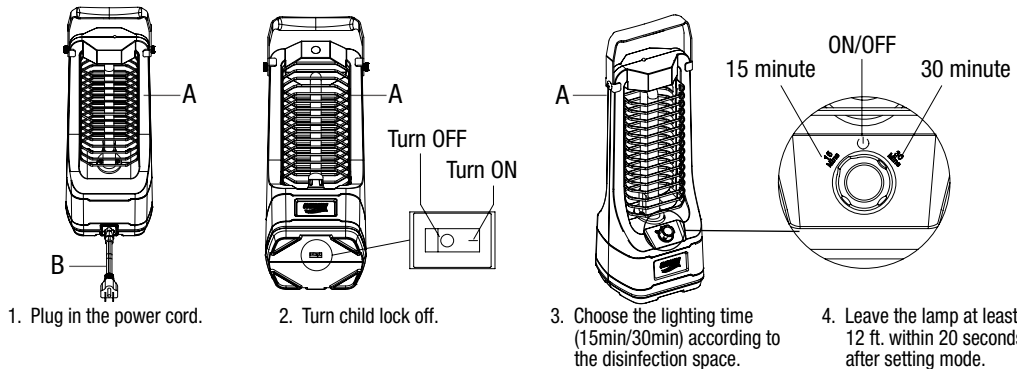
Operating temperature : 14°F ~ 95°F,  
 Operating environment humidity: <80% ,  
 Storage temperature: -4°F ~ 122°F,  
 Sensor detection range: 360 degrees,  
 Sensor detection distance: 0-13.7 ft.,  
 (Sensor detection can penetrate wood and glass,  
 Sensor detection distance will vary under different environment.)



### APPLICATIONS

The product is suitable for disinfection of indoor places such as bathroom, bedroom, kitchen, living room and other household use.

### INSTALLATION



**CAUTION:** Prior to turning on this disinfecting work light has a intermittent or continuous beep and warning light feature. This is a warning to leave the disinfecting area to prevent UVC exposure.

### PRECAUTIONS FOR USE

- Only professional maintenance is allowed, so as not to damage the precision electronic components.
- If the ambient temperature is too high (above 95°F), the microwave sensing distance will be shortened. At the same time, there is a possibility that the lamp is turned off by mistake, avoid installing the lamp in direct air flow location (such as: cold / hot water outlet, exhaust fan, near the electric furnace, etc.). The sensor head cannot be blocked or covered otherwise there will be a risk of microwave sensor failure.
- Multiple lights need to be separated by more than 5 ft to prevent unwanted detection.
- If motion is detected during disinfection the lamp will turn off, and immediately alarms for 20 seconds then working again. If repeated for 3 times, it will turn off directly until further setting.

### TROUBLESHOOTING

Minor problems often can be fixed without the help of an electrician.

**WARNING:** Before doing any work on the fixture, disconnect power to the light fixture.

No.	Failure analysis	Solution
1	No beep (the indicator light is off)	Confirm whether power cord is connected firmly to fixture and to wall socket

### WARNING

- UVC exposure is harmful to humans and animals. Prevent any exposure by leaving prior to the unit turning on.
- In severe cases, headache, dizziness, increased body temperature, eye irritation, or decreased vision, skin irritation, itching, swelling, etc. Please consult your doctor immediately.

**Risk Group 3**

**WARNING:** UV emitted from this product. Avoid eye and skin exposure to unshielded product.

**REMARK:** The result is tested against the IEC62471 at distance 13.7 ft.

### ADDITIONAL NOTE:

- The product cannot be used for lighting purposes.
- This product is only intended for disinfecting surface objects and surrounding air. This product is not to be used to disinfect the human body and can be dangerous to humans and animals
- Use with caution damage can occur to objects that are not resistant to ultraviolet rays.
- After disinfecting, please put away the product to avoid accidental light on and accidental injury.
- If UV disinfecting lamp is accidentally broken handle with extreme care. Ventilate the area and use gloves to clean up, The lamp contains mercury do not vacuum up with a standard vacuum cleaner as it can create dust & mercury vapor.
- If the lamp accidentally touches skin wash thoroughly, handle broken glass with gloves.

### FCC STATEMENT

This device complies with Part 15 of the FCC Rules. Operation is subject to the following two conditions: (1) this device may not cause harmful interference, and (2) this device must accept any interference received, including interference that may cause undesired operation.

Changes or modifications not expressly approved by the party responsible for compliance could void the user's authority to operate the equipment.

**NOTE:** This equipment has been tested and found to comply with the limits for a Class B digital device, pursuant to part 15 of the FCC Rules. These limits are designed to provide reasonable protection against harmful interference in a residential installation. This equipment generates uses and can radiate radio frequency energy and, if not installed and used in accordance with the instructions, may cause harmful interference to radio communications. However, there is no guarantee that interference will not occur in a particular installation. If this equipment does cause harmful interference to radio or television reception, which can be determined by turning the equipment off and on, the user is encouraged to try to correct the interference by one or more of the following measures: • Reorient or relocate the receiving antenna. • Increase the separation between the equipment and receiver. • Connect the equipment into an outlet on a circuit different from that to which the receiver is connected. • Consult the dealer or an experienced radio/TV technician for help.

The device has been evaluated to meet general RF exposure requirement. The device can be used in portable exposure condition without restriction.

### WARRANTY

This product is warranted for a period of 2 years from the date of original purchase against defects in materials and workmanship. If this product should fail to operate due to defects in material or workmanship within 24 months of purchase, see [www.ETISL.com](http://www.ETISL.com) for details. This product will be repaired or replaced, at ETI's option. This warranty is expressly limited to repair or replacement of product, and liability for direct, incidental, or consequential damages is hereby expressly excluded. Some states do not allow exclusions of direct, incidental or consequential damages, so the above limitation of exclusion may not apply to you. This warranty gives the consumer specific legal rights, which vary from state to state. **WARRANTY IS VOID IF PRODUCT IS NOT USED FOR THE PURPOSE WHICH THIS PRODUCT IS MANUFACTURED.**

