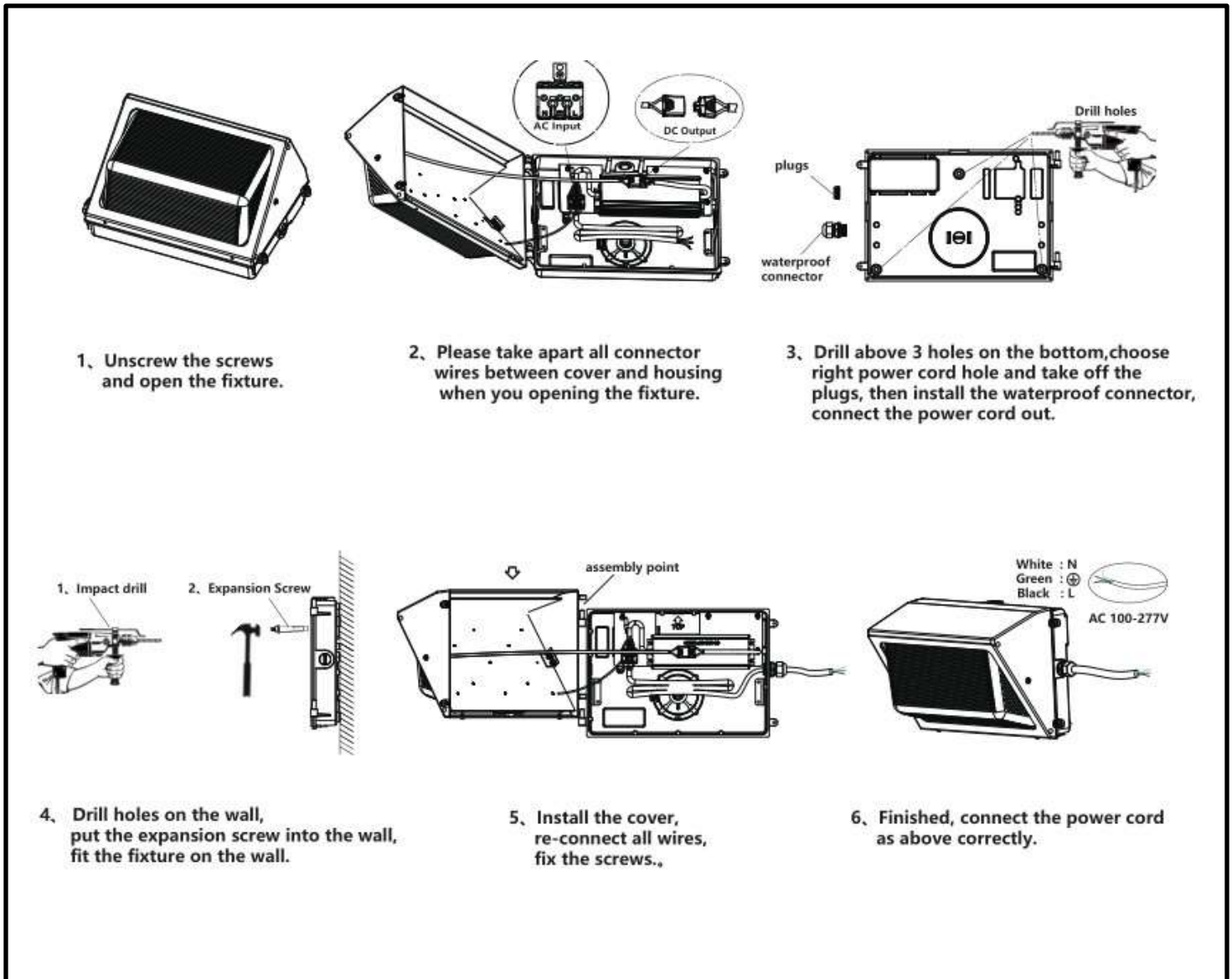


## PRODUCT INSTALLATION



**1. Unscrew the screws and open the fixture.**

**2. Please take apart all connector wires between cover and housing when you opening the fixture.**

**3. Drill above 3 holes on the bottom, choose right power cord hole and take off the plugs, then install the waterproof connector, connect the power cord out.**

**4. Drill holes on the wall, put the expansion screw into the wall, fit the fixture on the wall.**

**5. Install the cover, re-connect all wires, fix the screws.,**

**6. Finished, connect the power cord as above correctly.**

AC Input  
DC Output  
Drill holes  
plugs  
waterproof connector  
assembly point  
White : N  
Green : ⊕  
Black : L  
AC 100-277V